



US00D815924S

(12) **United States Design Patent**
Croft et al.

(10) **Patent No.:** **US D815,924 S**
(45) **Date of Patent:** **** Apr. 24, 2018**

(54) **COMBINED CONTAINER AND LID**

B65D 15/02; B65D 17/00; B65D 17/02;
B65D 23/00; B65D 39/00; B65D 77/00;
B65D 2543/00296; B65D 2543/00842;
B65D 17/06; B65D 17/50; B65D 11/18;
B65D 1/34; B65D 1/36; B65D 1/22;
B65D 1/24

(71) Applicant: **RUBBERMAID INCORPORATED**,
Huntersville, NC (US)

(72) Inventors: **William F. Croft**, Mooresville, NC
(US); **Evan Allen Fulford**, Portage, MI
(US); **William Hart**, Cornelius, NC
(US); **Gianna Lint**, Cornelius, NC (US)

See application file for complete search history.

(73) Assignee: **Rubbermaid Incorporated**,
Huntersville, NC (US)

(**) Term: **15 Years**

(21) Appl. No.: **29/557,081**

(22) Filed: **Mar. 4, 2016**

(51) **LOC (11) Cl.** **09-07**

(52) **U.S. Cl.**
USPC **D7/629**

(58) **Field of Classification Search**
USPC D7/615, 300, 590, 591, 594, 595, 597,
D7/599, 602, 612, 613, 614, 708, 619.1,
D7/619.2, 641, 300.1, 301, 302, 589, 603,
D7/604, 605, 606, 608, 701, 702, 703,
D7/707, 622, 623, 710, 628, 629, 630;
D9/600, 601, 643, 644, 645, 646, 647,
D9/648, 655, 659, 661, 738, 761, 767,
D9/772, 773, 500, 516, 537, 538, 539,
D9/540, 541, 542, 543, 545, 549, 550,
D9/558, 559, 563, 567, 573, 574, 575,
D9/552, 554, 565, 737, 756, 759, 760,
D9/501, 502, 503, 504, 414, 416, 419,
D9/428, 432, 438

CPC A47G 19/20; A47G 19/12; A47G 23/04;
A47G 23/06; B65D 1/00; B65D 1/02;
B65D 1/10; B65D 1/12; B65D 1/23;
B65D 1/06; B65D 1/14; B65D 1/16;
B65D 1/26; B65D 3/00; B65D 3/02;
B65D 3/04; B65D 7/00; B65D 7/02;
B65D 7/04; B65D 9/02; B65D 11/00;
B65D 11/02; B65D 13/00; B65D 15/00;

(56) **References Cited**

U.S. PATENT DOCUMENTS

D215,958 S *	11/1969	Daenen	D7/502
D246,289 S *	11/1977	Boucher	D7/542
D248,621 S *	7/1978	Hay	D3/302
D288,395 S *	2/1987	Ritman	D7/586
5,641,065 A *	6/1997	Owens	B65D 45/20 206/363
D418,749 S *	1/2000	Chang	D7/602
D479,673 S *	9/2003	Kim	D7/629
D483,622 S *	12/2003	Kim	D7/629

(Continued)

Primary Examiner — Shannon W Morgan

(74) *Attorney, Agent, or Firm* — Jessica Kattula

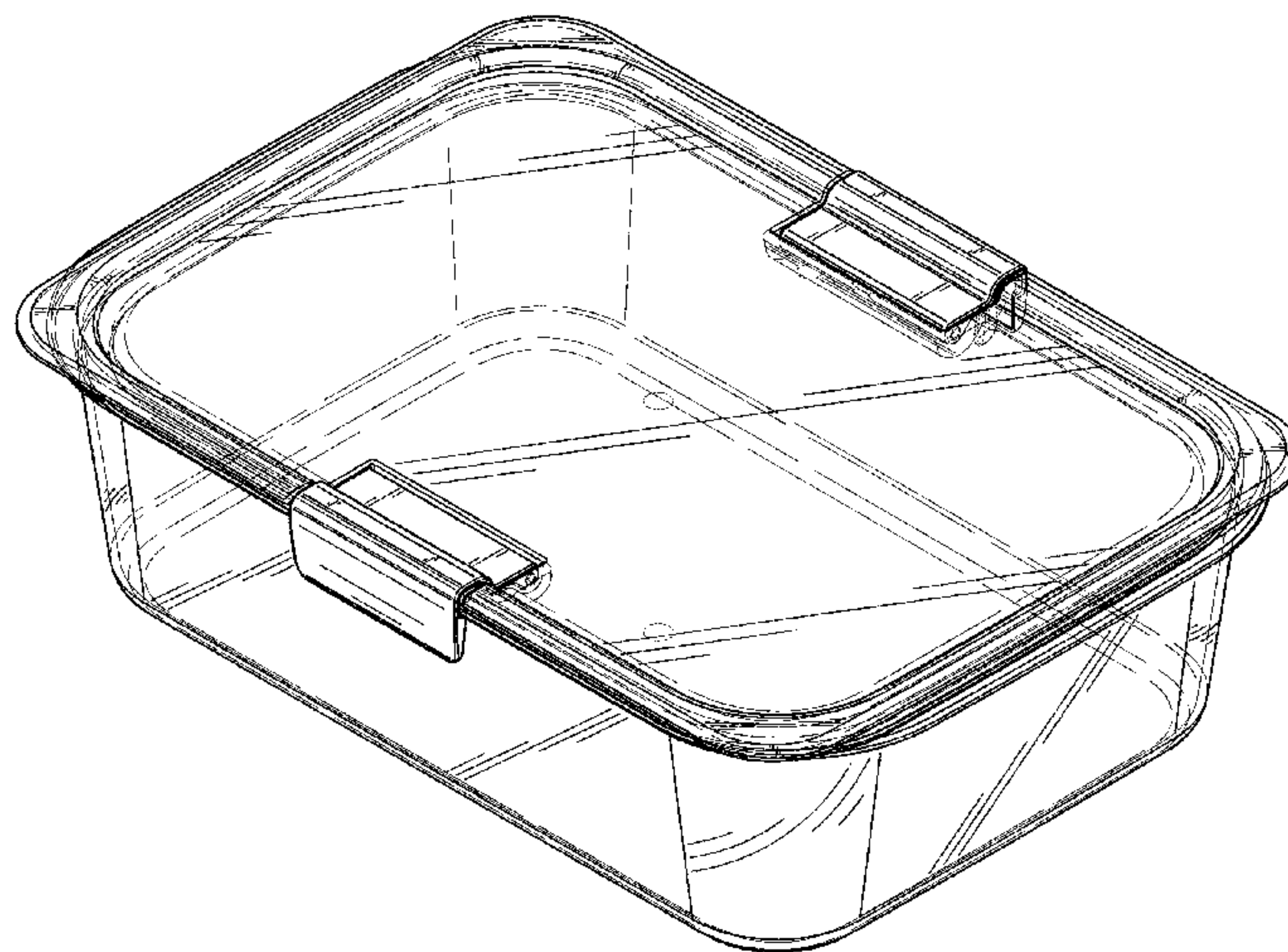
(57) **CLAIM**

The design for a combined container and lid, as shown and described.

DESCRIPTION

FIG. 1 is a top perspective view of a combined container and lid showing the new design;
FIG. 2 is a front elevational view thereof;
FIG. 3 is a rear elevational view thereof;
FIG. 4 is a right side elevational view thereof;
FIG. 5 is a left side elevational view thereof;
FIG. 6 is a top plan view thereof; and,
FIG. 7 is a bottom plan view thereof.
The broken lines shown in the figures depict portions of the combined container and lid that form no part of the claimed design.

1 Claim, 5 Drawing Sheets



(56)

References Cited

U.S. PATENT DOCUMENTS

D484,367 S * 12/2003 Kim D7/629
 6,793,096 B1 * 9/2004 Seok B65D 43/0218
 220/326
 D500,227 S * 12/2004 Seok D7/392.1
 D505,840 S * 6/2005 Schultz D7/629
 D517,311 S * 3/2006 Kim D3/218
 D540,624 S * 4/2007 Wasserman D7/584
 D544,762 S * 6/2007 Zimmerman D7/601
 D553,444 S * 10/2007 de Groot D7/602
 D562,083 S * 2/2008 Lown D7/629
 D566,484 S * 4/2008 George D3/294
 D615,821 S * 5/2010 Stamper D7/538
 D651,477 S * 1/2012 Nie D7/629
 D653,915 S * 2/2012 George D7/629
 D660,092 S * 5/2012 Kyung D7/629
 D660,095 S * 5/2012 Kyung D7/629
 D682,052 S * 5/2013 Thomas D7/629
 D692,281 S * 10/2013 George D7/629
 D696,075 S * 12/2013 Mashike D7/605
 D697,760 S * 1/2014 Uchida D7/558
 D697,761 S * 1/2014 Uchida D7/558
 D697,764 S * 1/2014 Carlson D7/602

D698,609 S * 2/2014 Duvigneau D7/602
 D700,480 S * 3/2014 Yessin D7/602
 8,733,550 B2 * 5/2014 Harvey B65D 53/02
 206/508
 D708,015 S * 7/2014 Carlson D7/602
 D708,913 S * 7/2014 Ng D7/629
 D717,119 S * 11/2014 Carlson D7/602
 D722,832 S * 2/2015 Ra D7/602
 D730,699 S * 6/2015 Mok D7/602
 D733,503 S * 7/2015 Bagley D7/629
 D736,569 S * 8/2015 Bronwasser D7/629
 D743,751 S * 11/2015 Stokke D7/629
 D751,349 S * 3/2016 Carlson D7/629
 D753,446 S * 4/2016 Hwang D7/629
 D758,805 S * 6/2016 Myoung D7/629
 D763,629 S * 8/2016 Swartz D7/629
 D780,534 S * 3/2017 Oliver D7/629
 2005/0006390 A1 * 1/2005 Wang B65D 45/30
 220/326
 2005/0035125 A1 * 2/2005 Bae B65D 43/0218
 220/326
 2014/0103033 A1 * 4/2014 Beckman B65D 25/04
 220/4.01

* cited by examiner

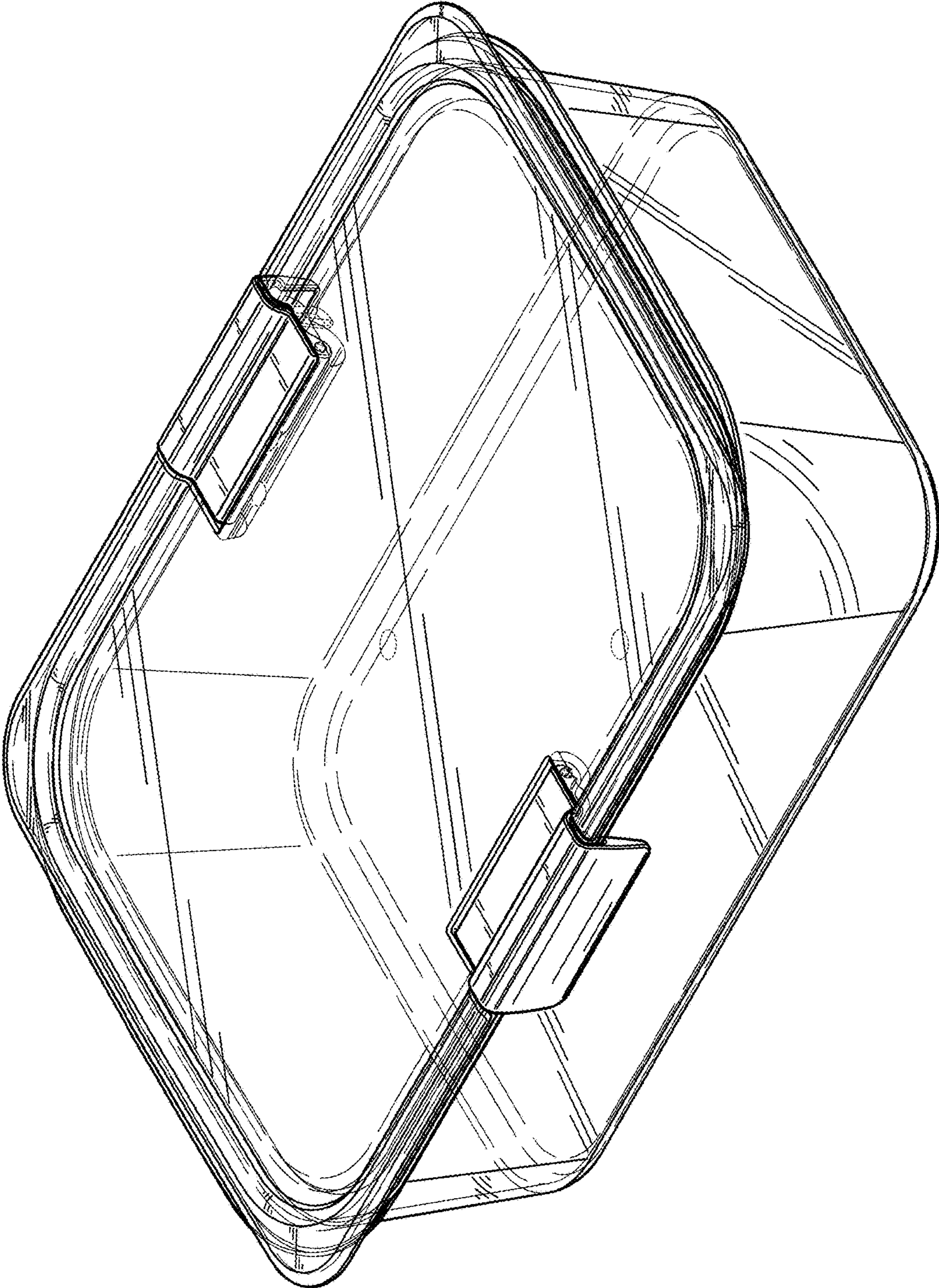


FIG. 1

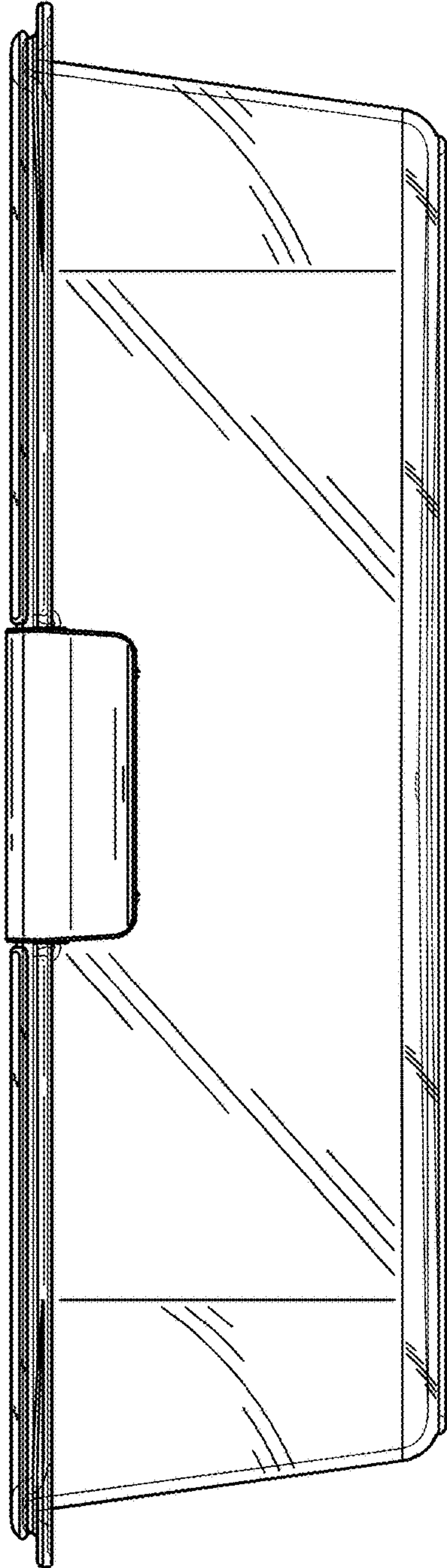


FIG. 2

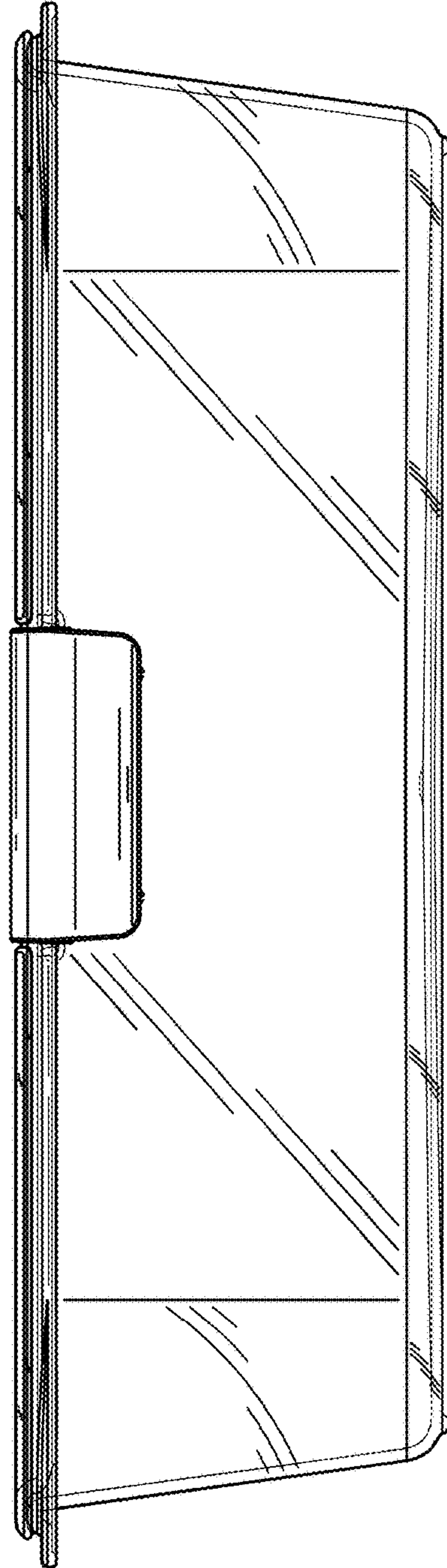


FIG. 3

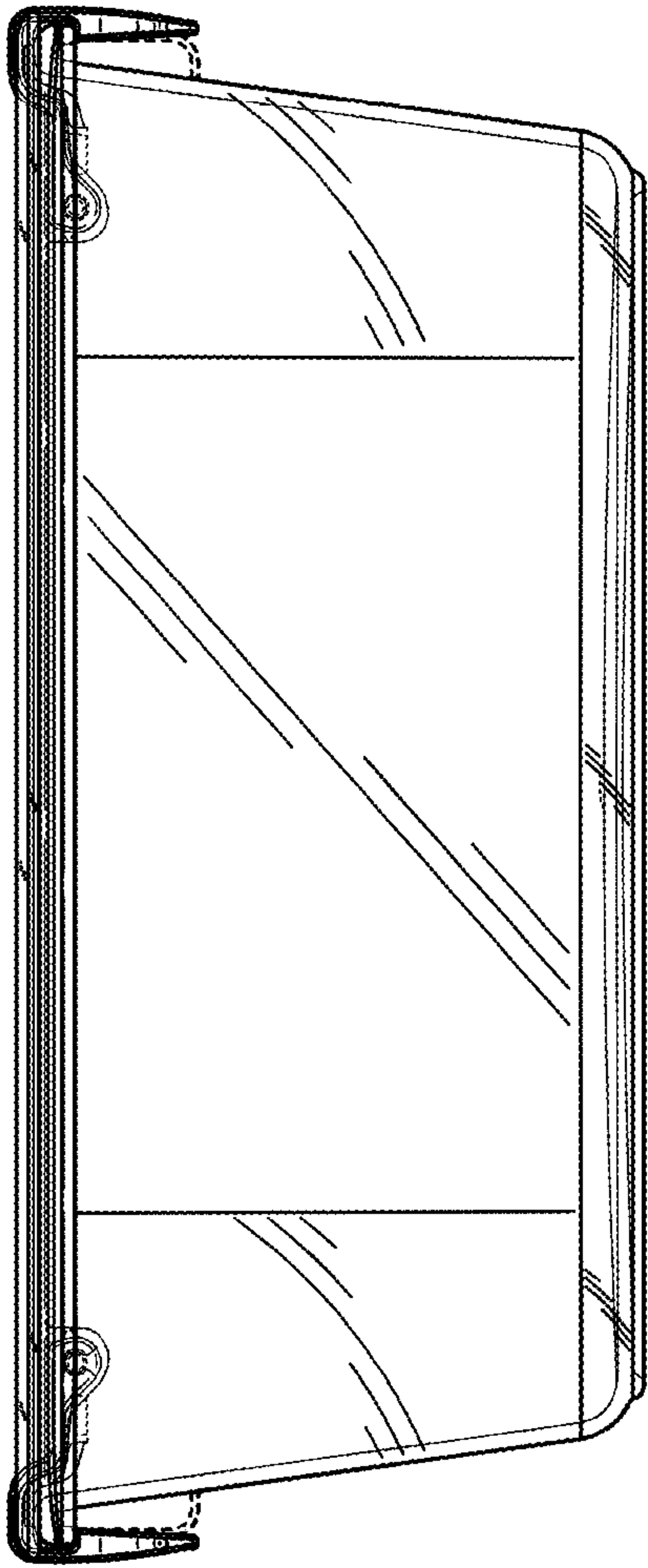


FIG. 4

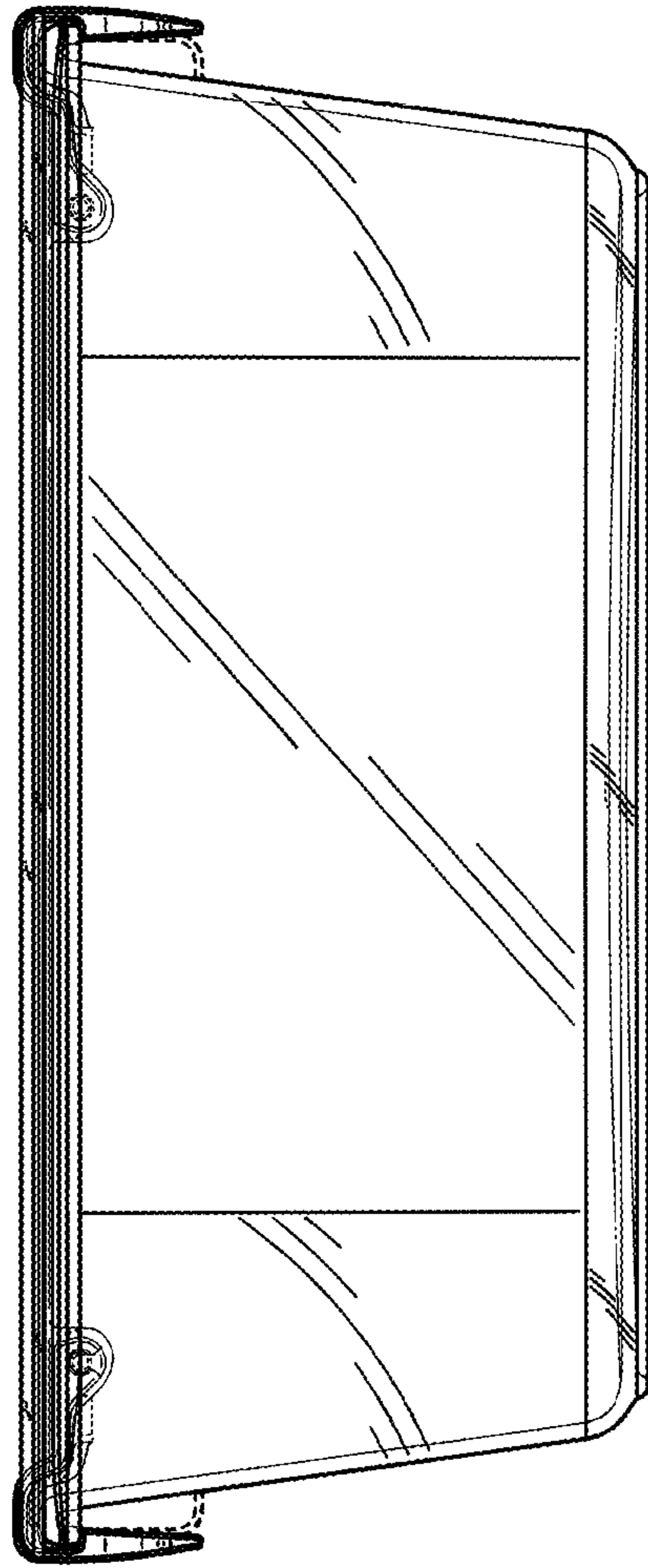


FIG. 5

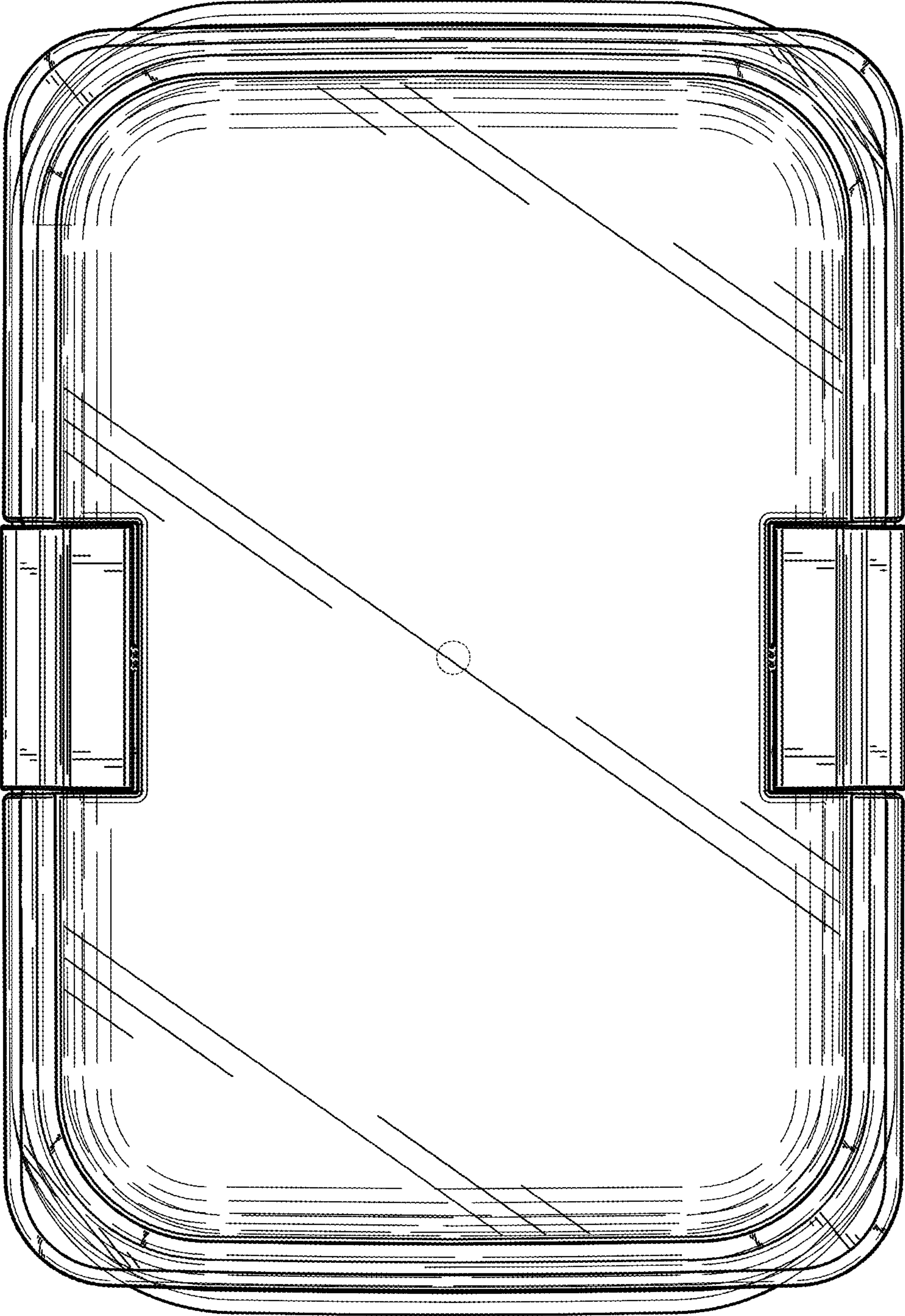


FIG. 6

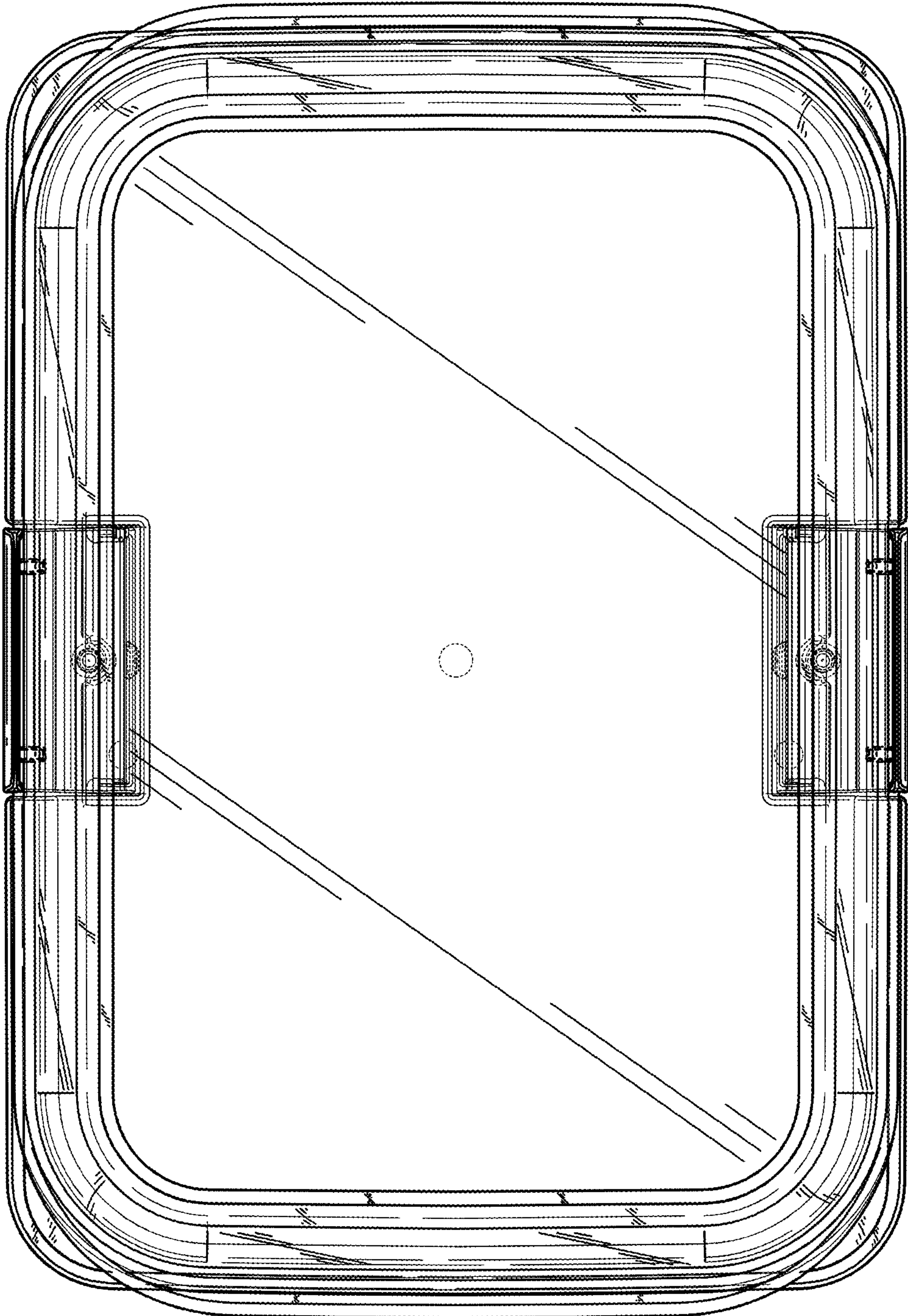


FIG. 7