



US00D815921S

(12) **United States Design Patent**
Moffett, III et al.

(10) **Patent No.:** **US D815,921 S**
(45) **Date of Patent:** **** Apr. 24, 2018**

(54) **MULTI COMPARTMENT ROLLER COOLER WITH UTILITY TRAY**

(71) Applicants: **Noah Moffett, III**, Norfolk, VA (US);
Frank Wiggins, Norfolk, VA (US);
Andrew Moore, Chesapeake, VA (US)

(72) Inventors: **Noah Moffett, III**, Norfolk, VA (US);
Frank Wiggins, Norfolk, VA (US);
Andrew Moore, Chesapeake, VA (US)

(**) Term: **15 Years**

(21) Appl. No.: **29/576,549**

(22) Filed: **Sep. 3, 2016**

(51) **LOC (11) Cl.** **07-01**

(52) **U.S. Cl.**
USPC **D7/605**

(58) **Field of Classification Search**
USPC D7/605-608; D3/272-274; D34/1, 39
CPC ... A45C 11/20; F25D 3/08; F25D 3/14; F25D
2331/804; F25B 19/00; A01K 97/06;
A01K 97/26; A01K 97/22; B67D 3/0067;
A47C 7/62; A47J 41/022; A47G 19/2288;
B65D 81/3823; B65D 81/3816; B65D
81/3858

See application file for complete search history.

(56) **References Cited**

U.S. PATENT DOCUMENTS

4,846,493 A * 7/1989 Mason A45C 5/146
190/18 A
D415,658 S * 10/1999 Frehse D7/605

D694,070 S * 11/2013 Torres D7/605
D786,022 S * 5/2017 Ravenscraft, Jr. D7/605
2003/0139169 A1 * 7/2003 Arreazola, Jr. H04B 1/086
455/344
2007/0101754 A1 * 5/2007 Maldonado B67D 3/0067
62/389
2009/0217699 A1 * 9/2009 Ball A45C 11/20
62/457.7

* cited by examiner

Primary Examiner — Terry A Wallace

(74) *Attorney, Agent, or Firm* — William G. Sykes

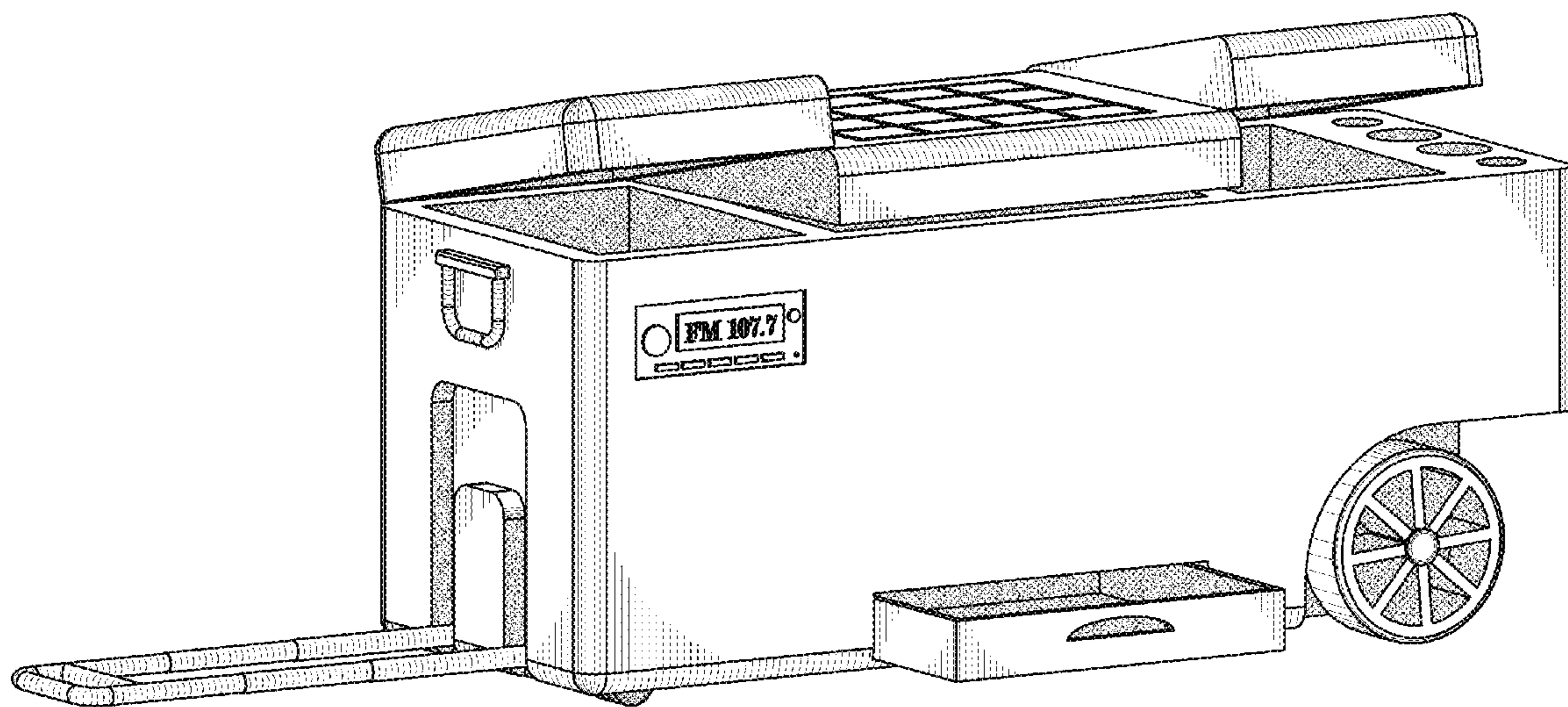
(57) **CLAIM**

The ornamental design for a multi compartment roller cooler with utility tray, as shown.

DESCRIPTION

FIG. 1 is a front left isometric view of a multi compartment roller cooler with utility tray showing my new design;
FIG. 2 is a front view thereof;
FIG. 3 is a top view thereof;
FIG. 4 is a bottom view thereof;
FIG. 5 is a right side view thereof;
FIG. 6 is a left side view thereof; and,
FIG. 7 is a back view.

1 Claim, 7 Drawing Sheets



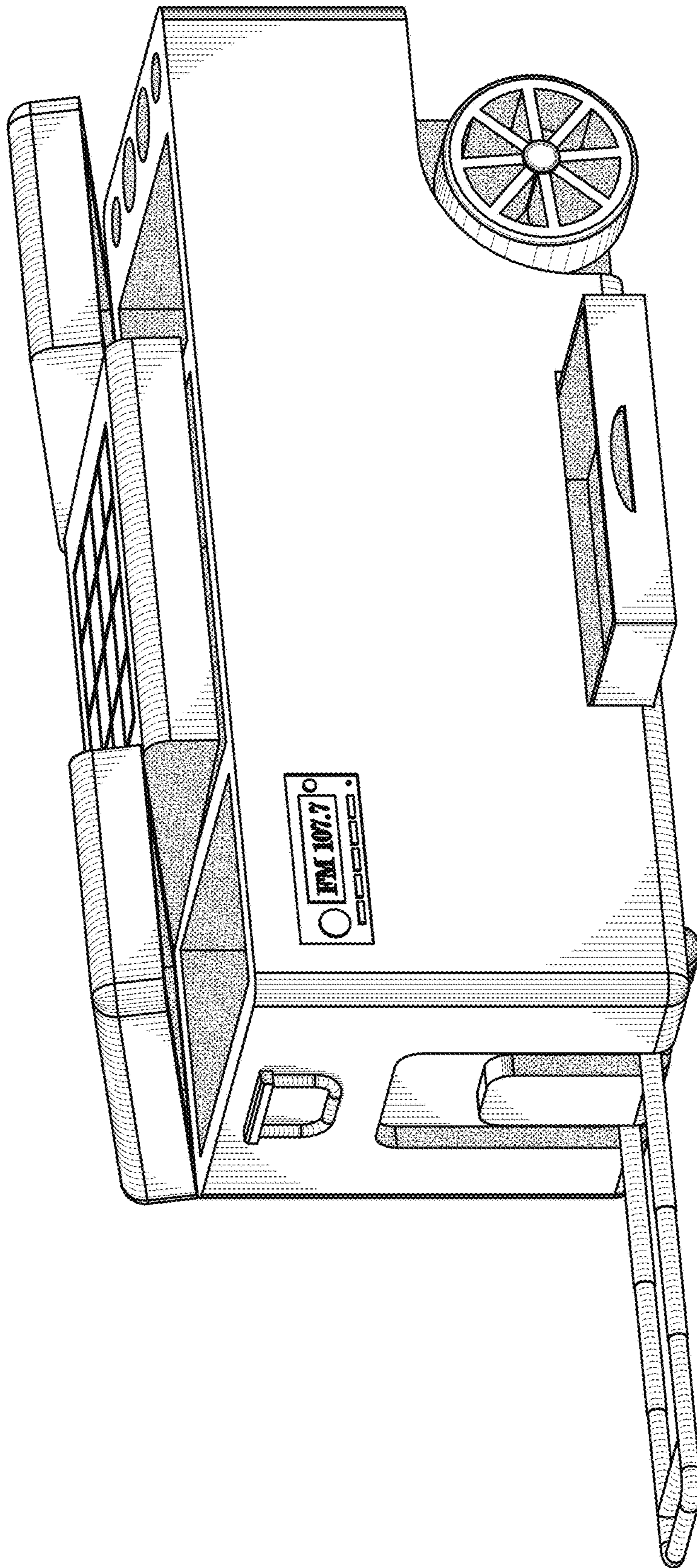


Fig. 1

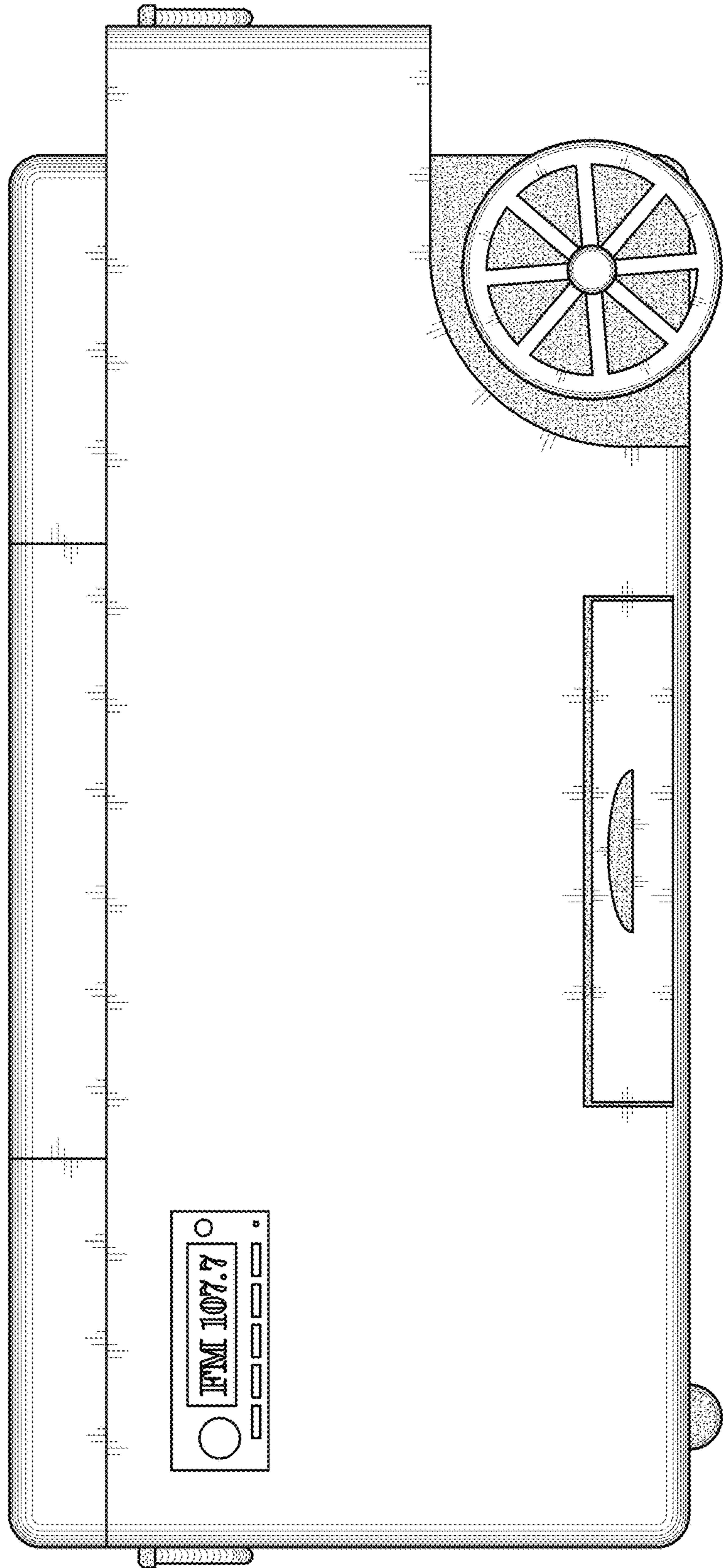


Fig. 2

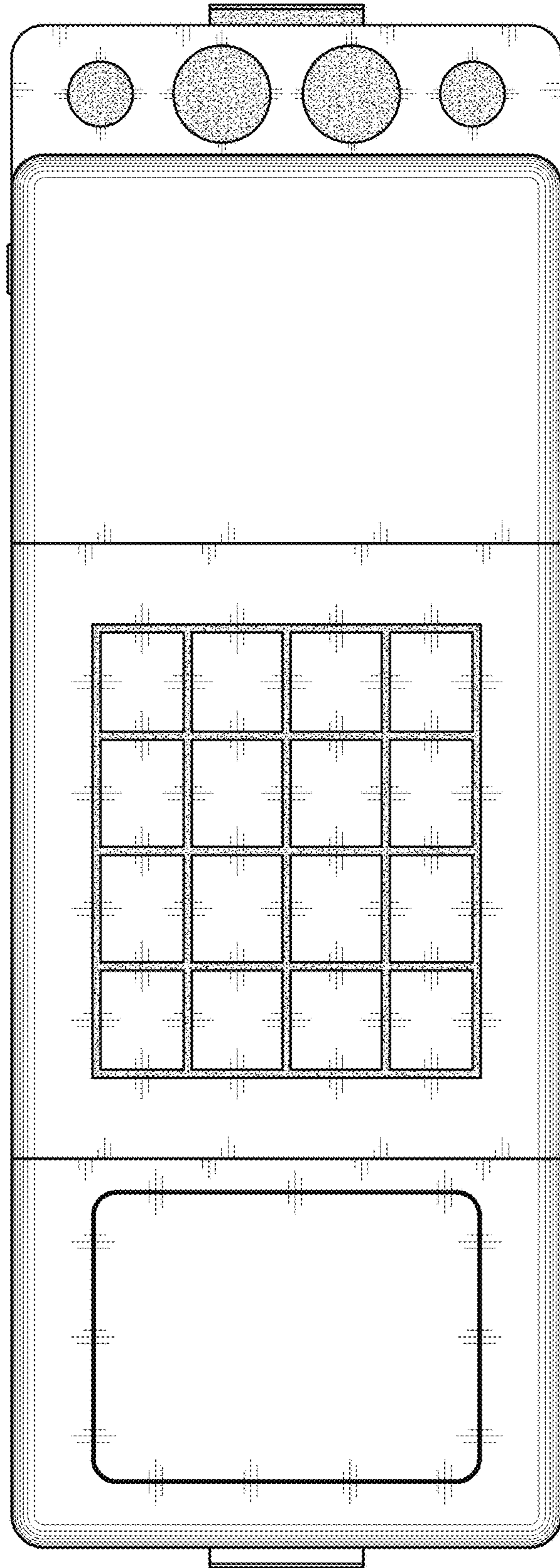


Fig. 3

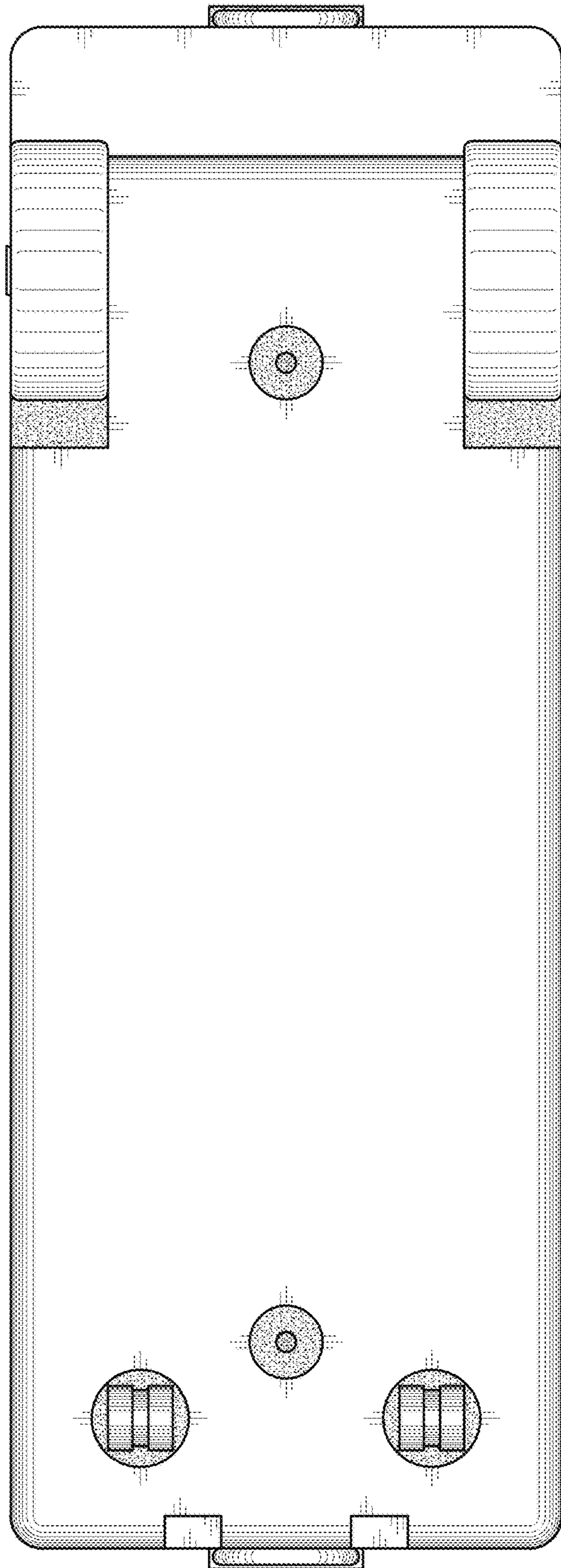


Fig. 4

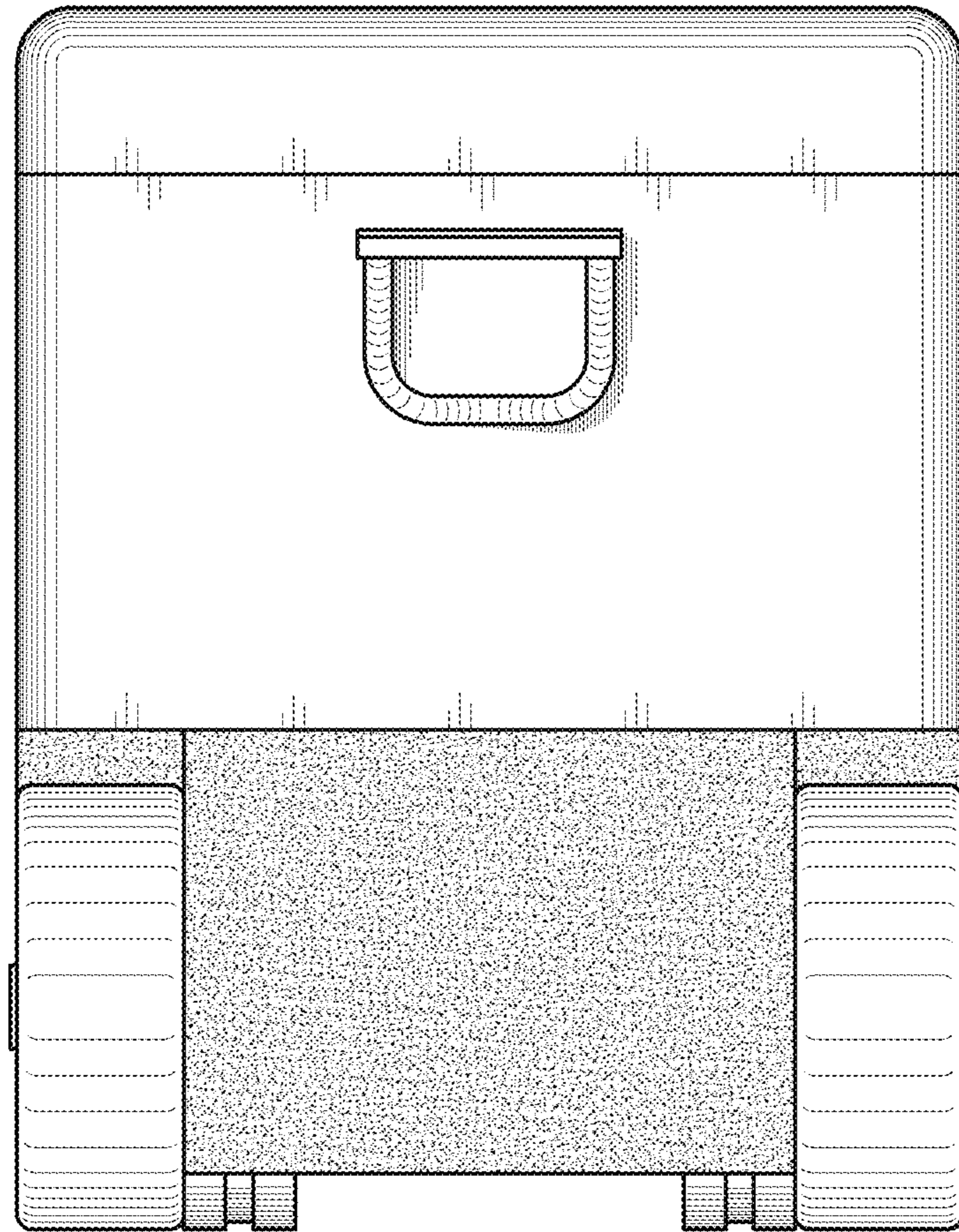


Fig. 5

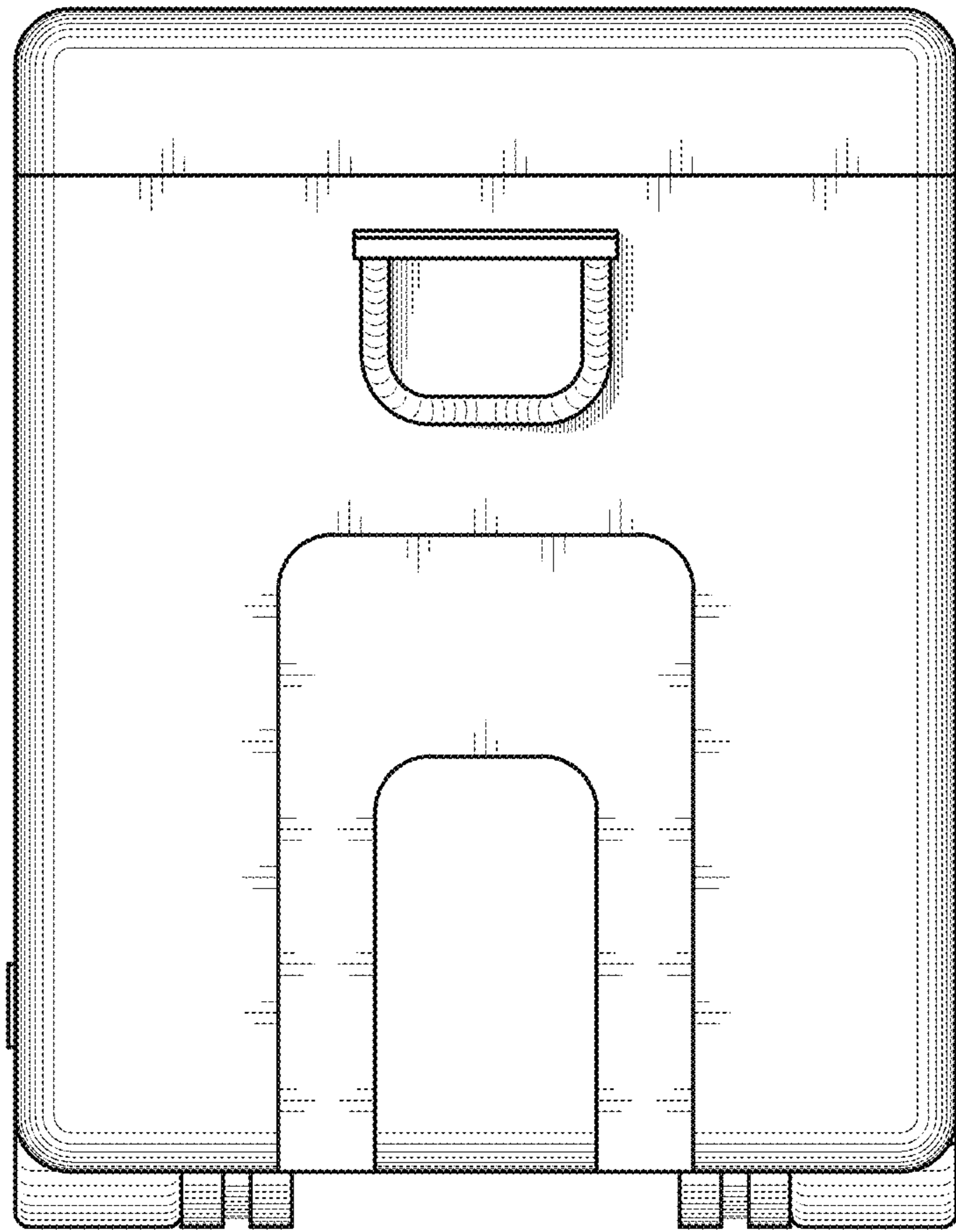


Fig. 6

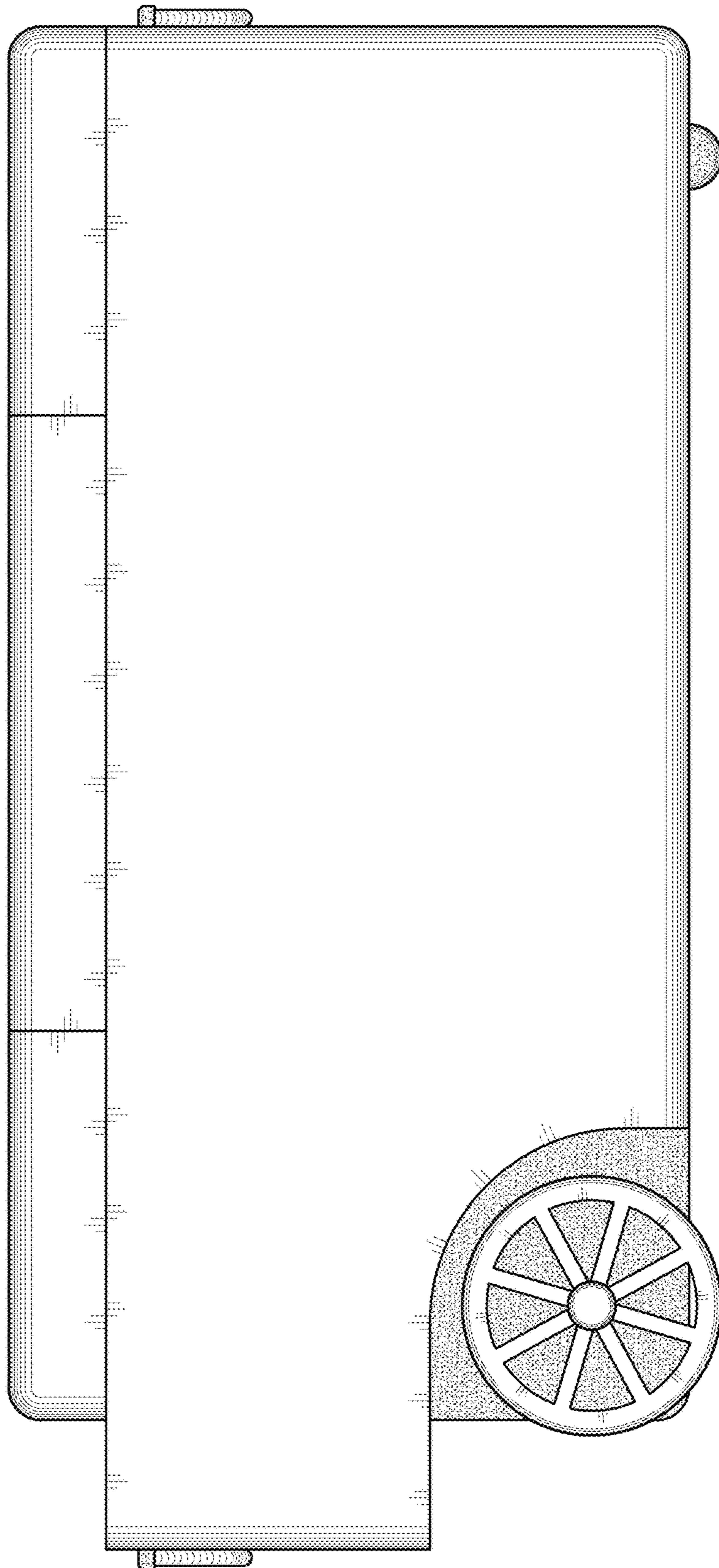


Fig. 7