



US00D815920S

(12) **United States Design Patent**  
**Moffett, III et al.**

(10) **Patent No.:** **US D815,920 S**  
(45) **Date of Patent:** **\*\* Apr. 24, 2018**

(54) **SINGLE COMPARTMENT ROLLER COOLER WITH UTILITY TRAY**

(71) Applicants: **Noah Moffett, III**, Norfolk, VA (US);  
**Frank Wiggins**, Norfolk, VA (US);  
**Andrew Moore**, Chesapeake, VA (US)

(72) Inventors: **Noah Moffett, III**, Norfolk, VA (US);  
**Frank Wiggins**, Norfolk, VA (US);  
**Andrew Moore**, Chesapeake, VA (US)

(\*\*) Term: **15 Years**

(21) Appl. No.: **29/576,541**

(22) Filed: **Sep. 3, 2016**

(51) **LOC (11) Cl.** ..... **07-01**

(52) **U.S. Cl.**  
USPC ..... **D7/605**

(58) **Field of Classification Search**  
USPC ..... D7/605-608; D3/272, 273, 274; D34/1,  
D34/39  
CPC ... A45C 11/20; F25D 3/08; F25D 3/14; F25D  
2331/804; F25B 19/00; A01K 97/06;  
A01K 97/26; A01K 97/22; B67D 3/0067;  
A47C 7/62; A47J 41/022; A47G 19/2288;  
B65D 81/3823; B65D 81/3816; B65D  
81/3858

See application file for complete search history.

(56) **References Cited**

**U.S. PATENT DOCUMENTS**

4,846,493 A \* 7/1989 Mason ..... A45C 5/146  
190/18 A  
D415,658 S \* 10/1999 Frehse ..... D7/605

D694,070 S \* 11/2013 Torres ..... D7/605  
D786,022 S \* 5/2017 Ravenscraft, Jr. .... D7/605  
2003/0139169 A1\* 7/2003 Arreazola, Jr. .... H04B 1/086  
455/344  
2007/0101754 A1\* 5/2007 Maldonado ..... B67D 3/0067  
62/389  
2009/0217699 A1\* 9/2009 Ball ..... A45C 11/20  
62/457.7

\* cited by examiner

*Primary Examiner* — Terry A Wallace

(74) *Attorney, Agent, or Firm* — William G. Sykes

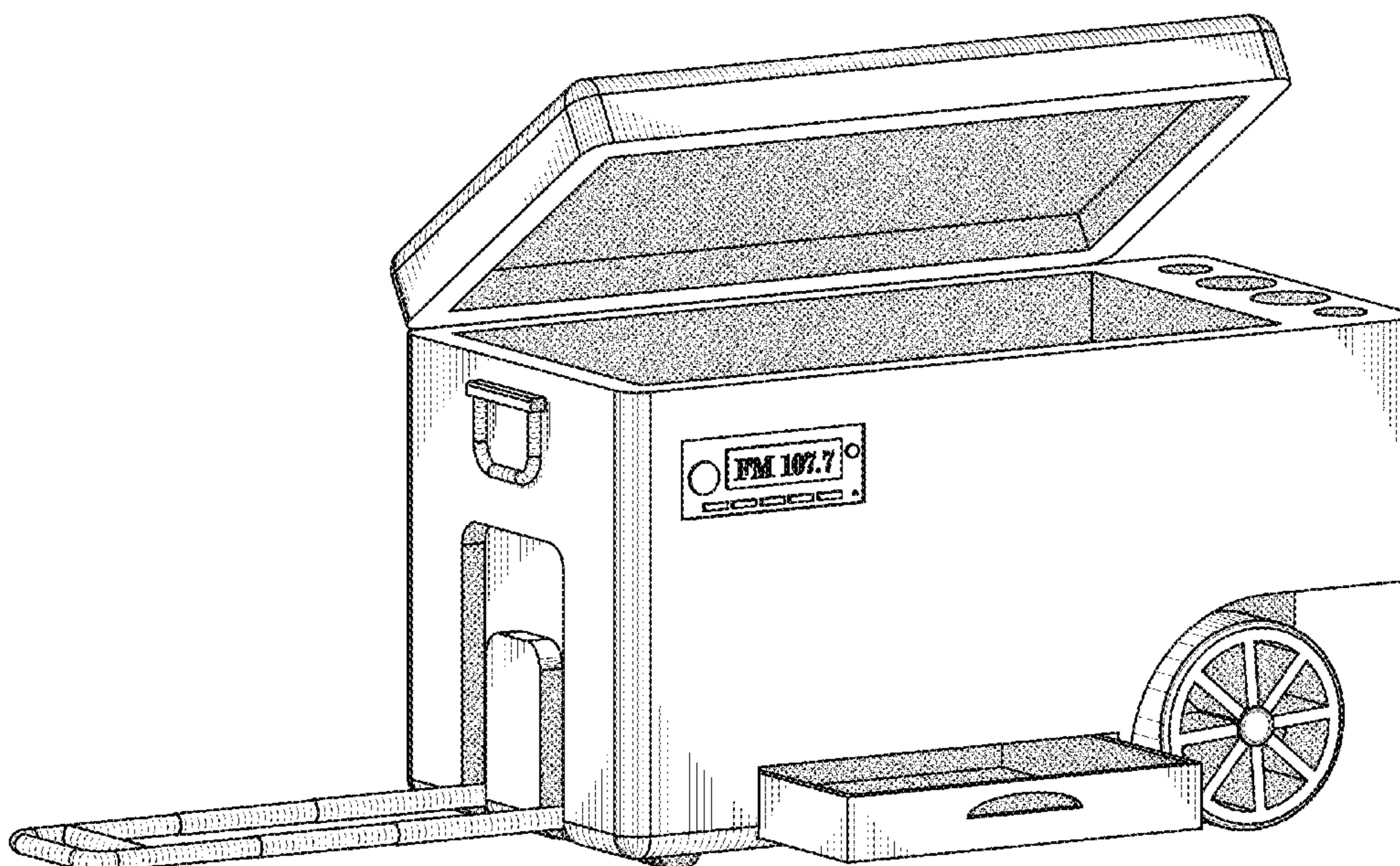
(57) **CLAIM**

The ornamental design for a single compartment roller cooler with utility tray, as shown.

**DESCRIPTION**

FIG. 1 is a front left isometric view of a single compartment roller cooler with utility tray showing my new design;  
FIG. 2 is a front view thereof;  
FIG. 3 is a top view thereof;  
FIG. 4 is a bottom view thereof;  
FIG. 5 is a right side view thereof;  
FIG. 6 is a left side view thereof; and,  
FIG. 7 is a back view.

**1 Claim, 7 Drawing Sheets**



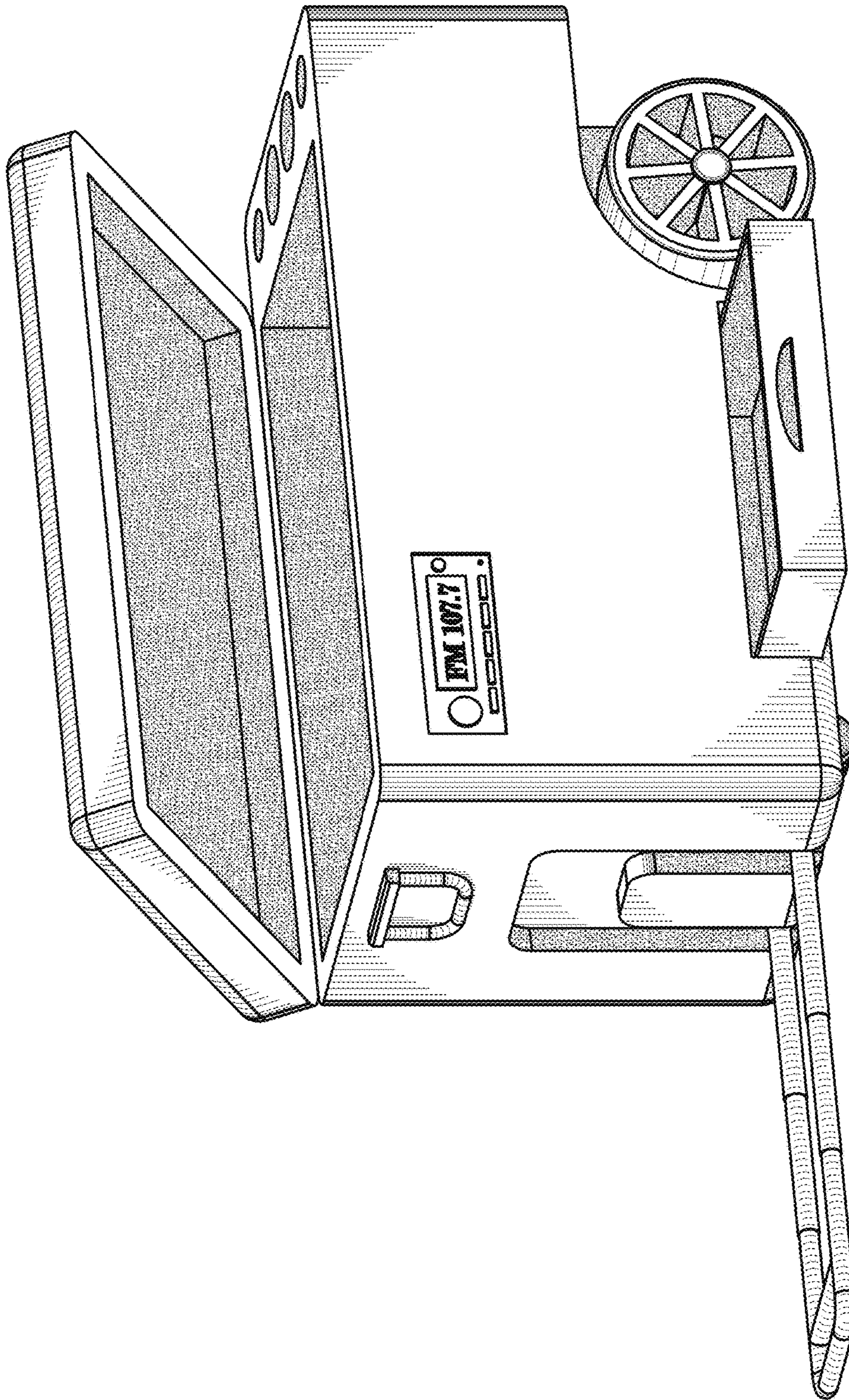


Fig. 1

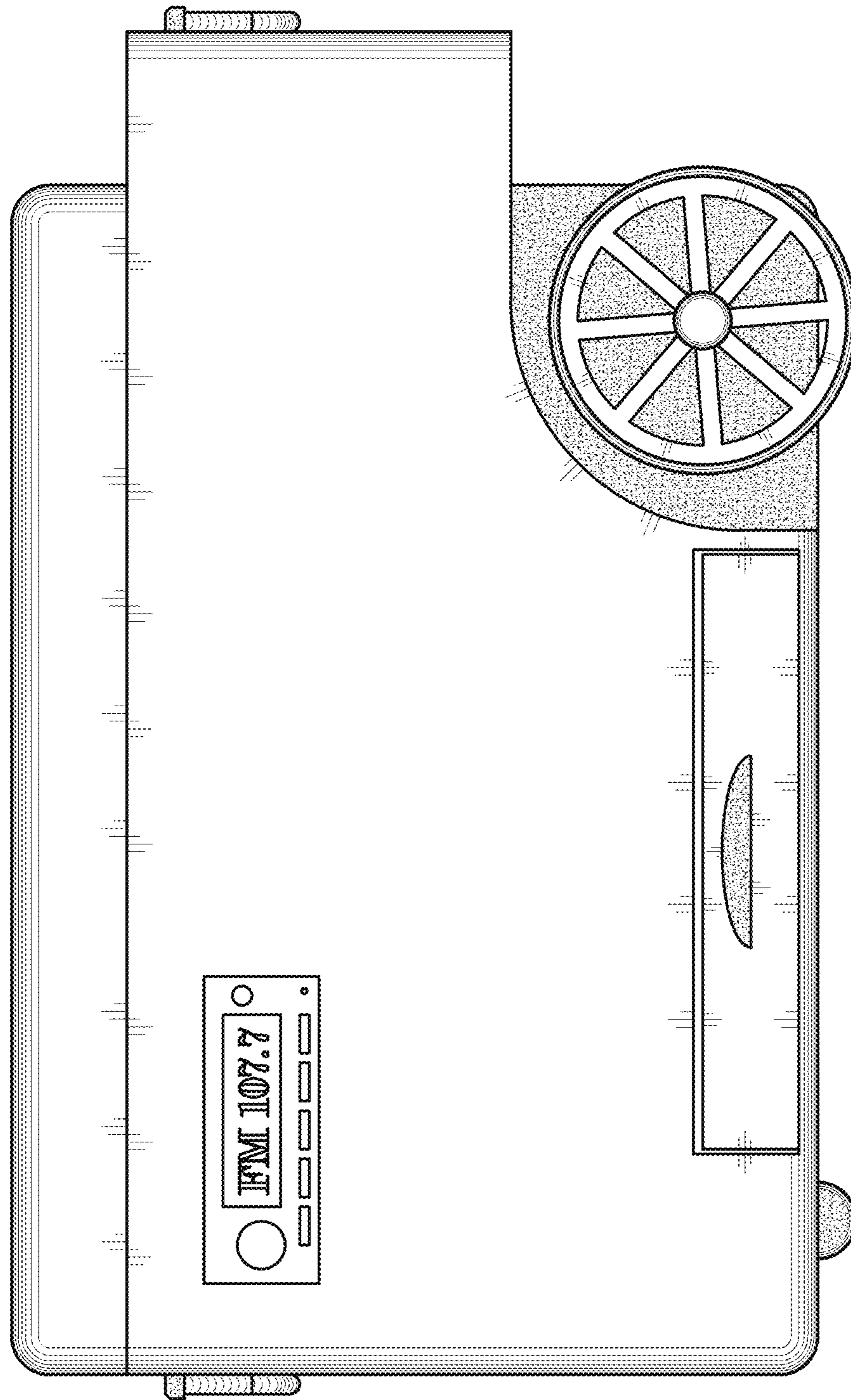


Fig. 2

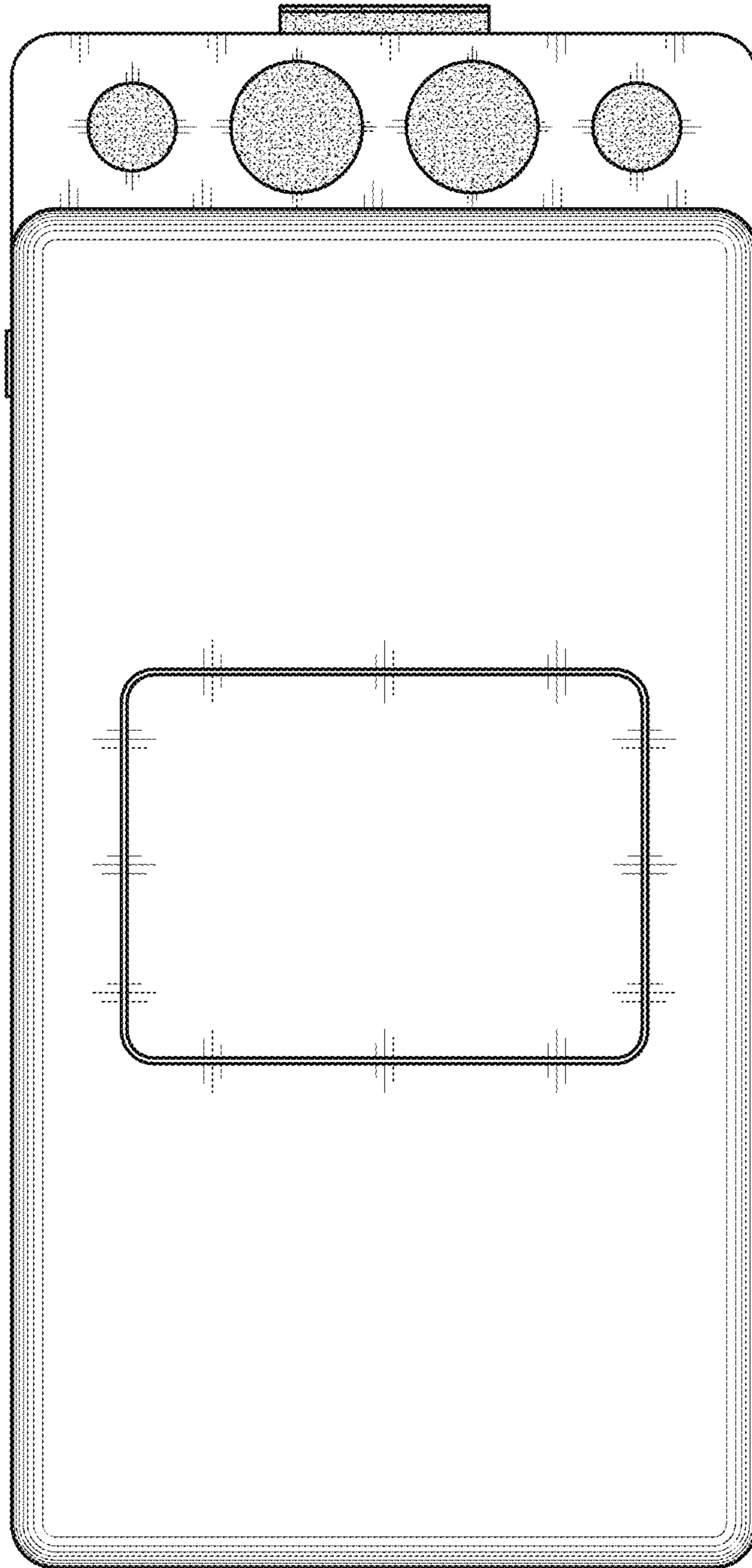


Fig. 3

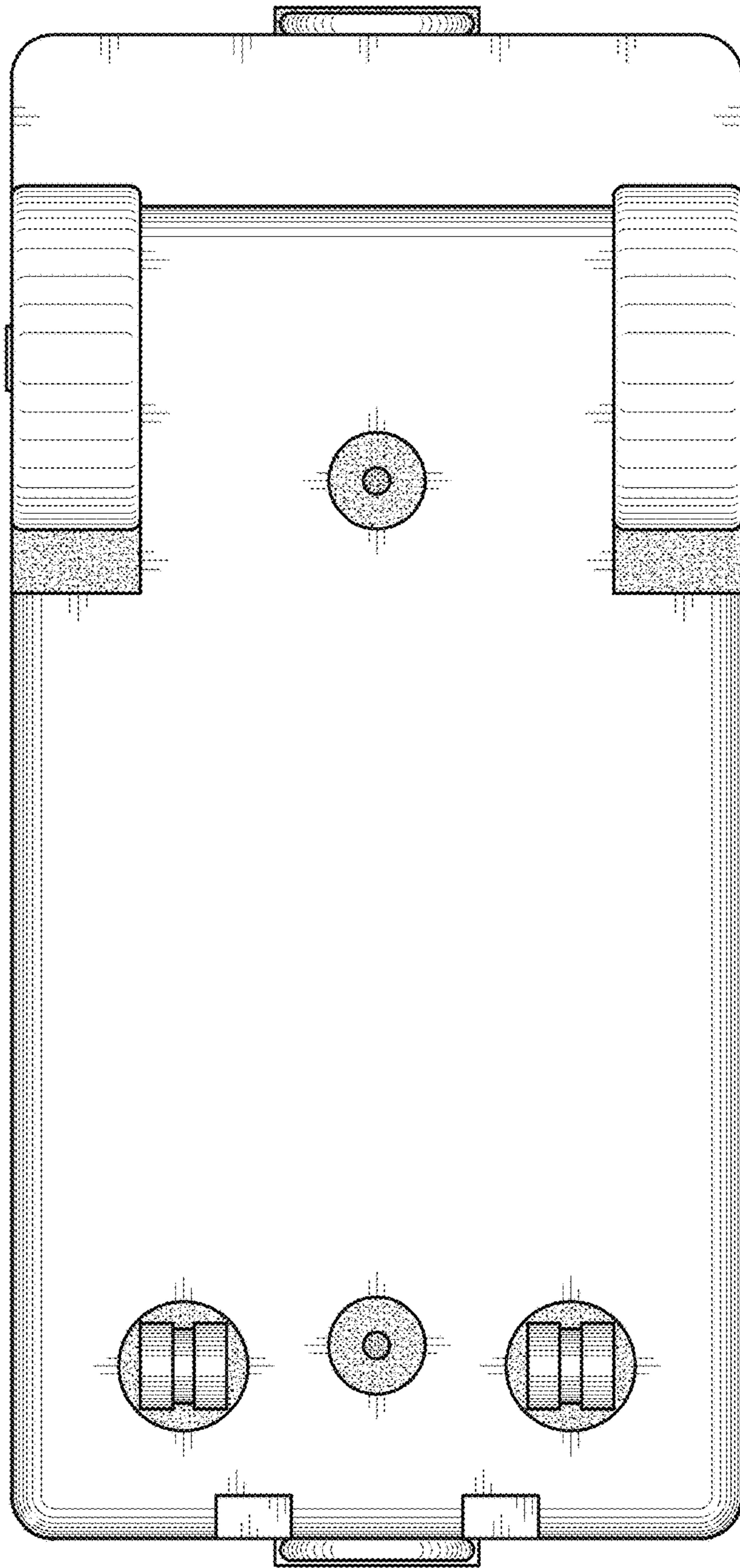


Fig. 4

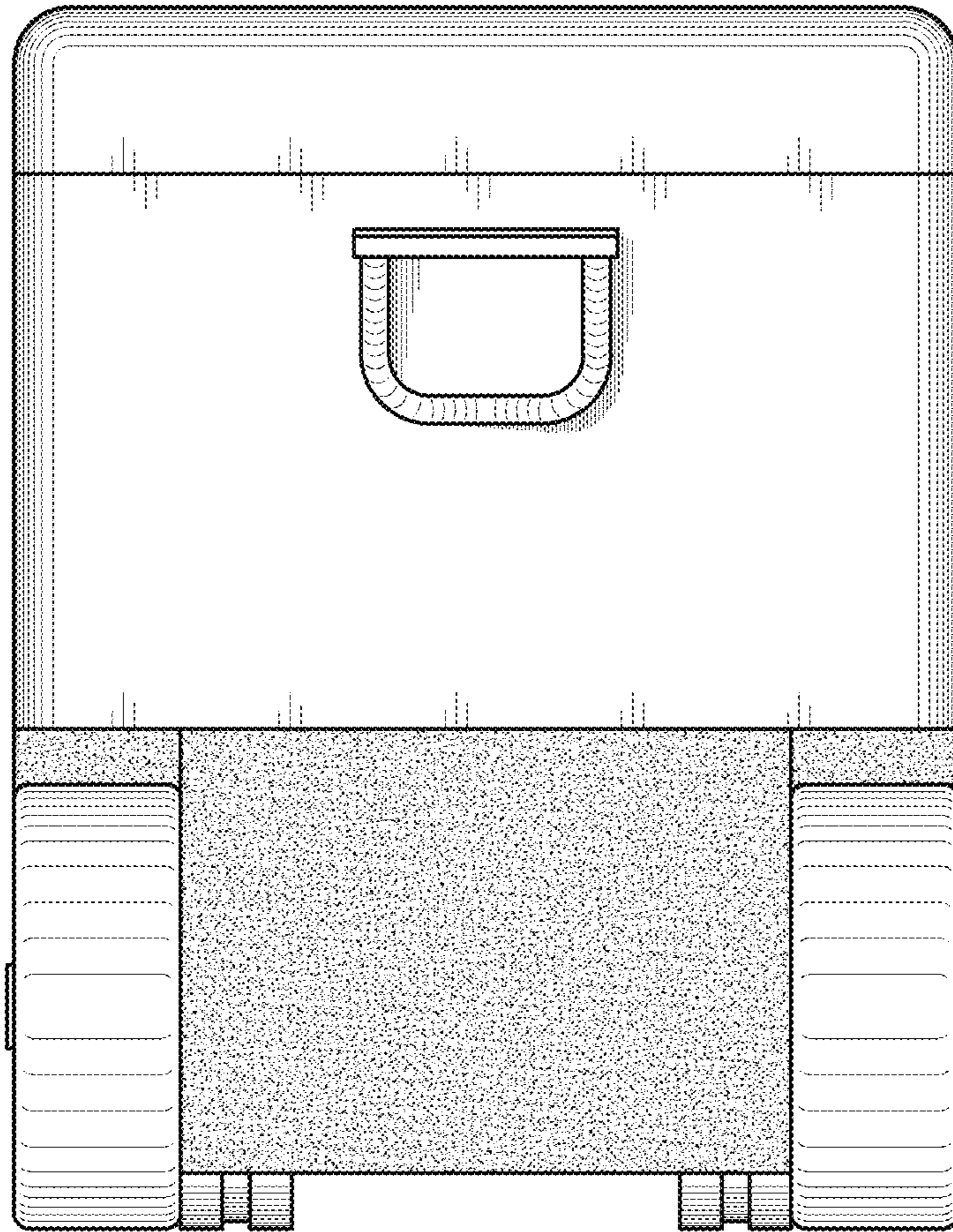


Fig. 5

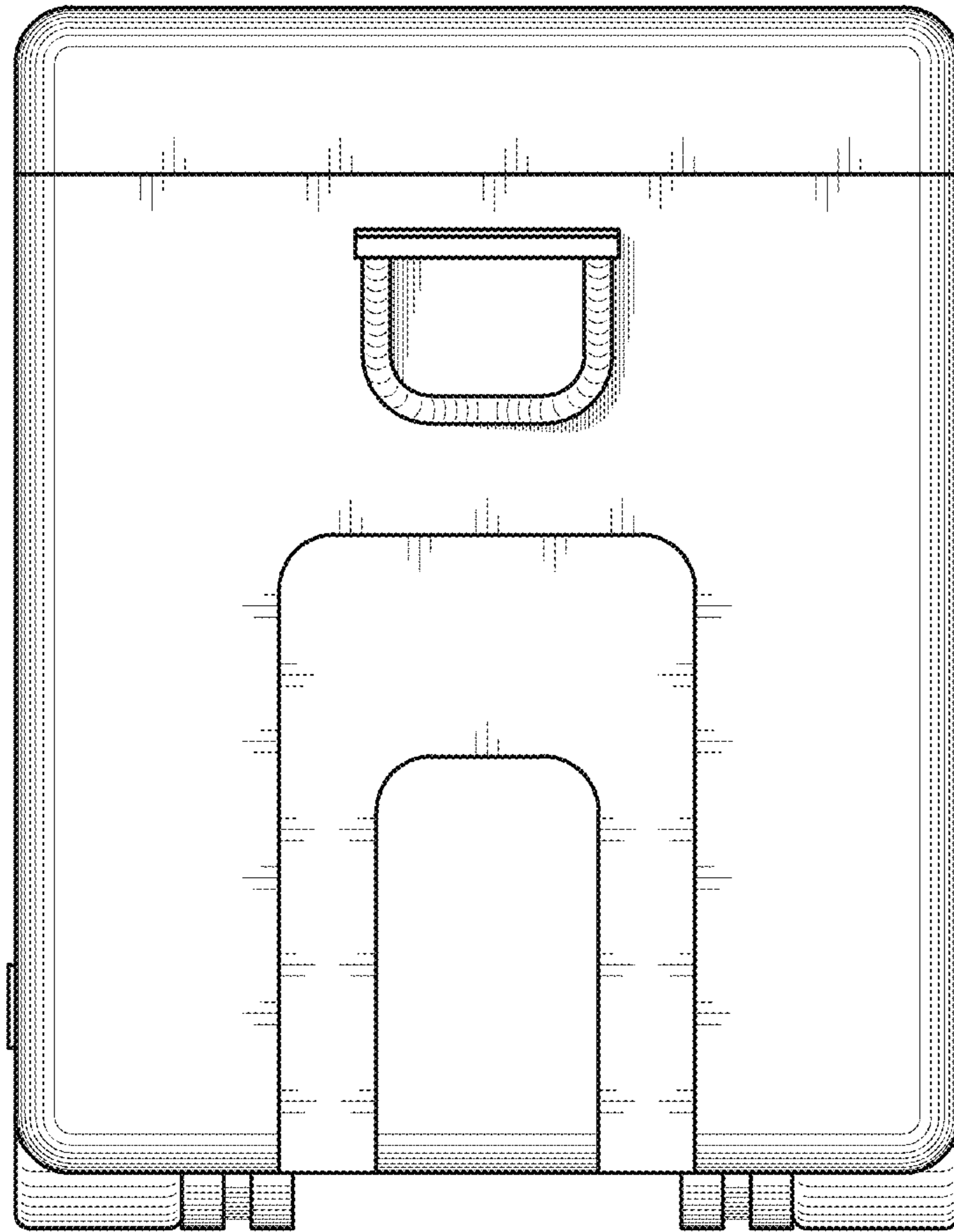


Fig. 6

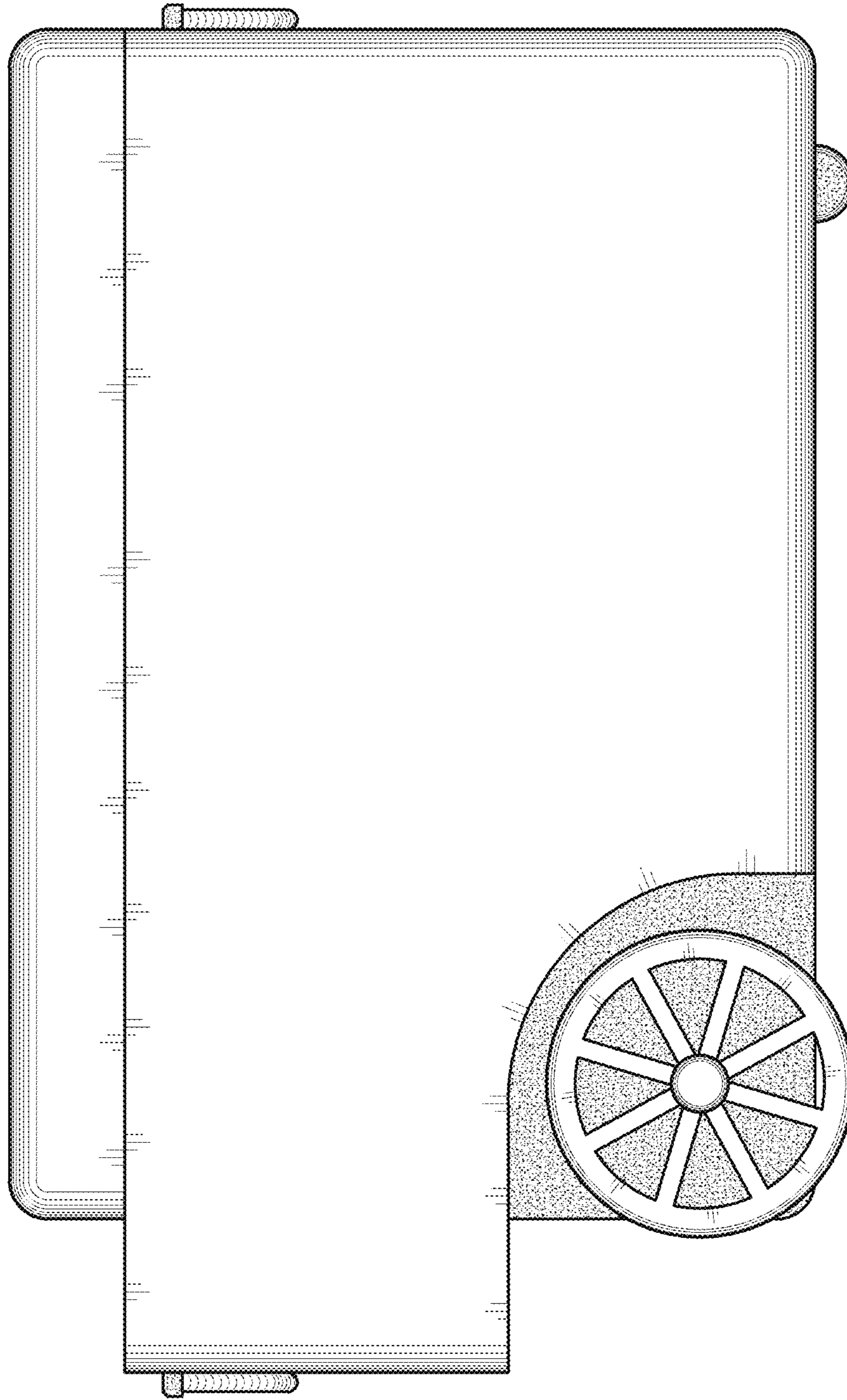


Fig. 7