



US00D815919S

(12) **United States Design Patent**  
**DeFrancia**

(10) **Patent No.:** **US D815,919 S**

(45) **Date of Patent:** **\*\* \*Apr. 24, 2018**

(54) **CONTAINER**

(71) Applicant: **Ice Rover, Inc.**, Boulder, CO (US)

(72) Inventor: **Tomas A. DeFrancia**, Boulder, CO (US)

(73) Assignee: **Ice Rover, Inc.**, Boulder, CO (US)

(\*) Notice: This patent is subject to a terminal disclaimer.

(\*\*) Term: **15 Years**

(21) Appl. No.: **29/571,422**

(22) Filed: **Jul. 18, 2016**

(51) **LOC (11) Cl.** ..... **07-01**

(52) **U.S. Cl.**

USPC ..... **D7/605**; D3/279; D3/905

(58) **Field of Classification Search**

USPC ..... D3/269, 272, 273, 274, 276, 279, 281, D3/282, 283, 288, 290, 294, 298, 299, D3/905, 217; D7/605

CPC ..... B62B 1/00; B62B 3/00; B62B 2204/06; B62B 2202/52; B25H 3/00; B25H 3/003; B25H 3/02; A45C 7/00; A45C 5/00; A45C 5/005; A45C 2005/037; A45C 5/04; A45C 5/14; A45C 2007/0004; A45C 7/0018; A45C 2009/002

See application file for complete search history.

(56) **References Cited**

**U.S. PATENT DOCUMENTS**

4,759,560 A	7/1988	Virgulti	
4,846,493 A *	7/1989	Mason	A45C 5/146 190/18 A
4,873,841 A *	10/1989	Bradshaw	A45C 5/14 280/47.17
4,932,677 A	6/1990	Shustack	
4,976,448 A	12/1990	Wickersham et al.	
5,228,706 A *	7/1993	Boville	A45C 5/146 280/30
D340,620 S *	10/1993	Peters	D7/605

5,249,438 A	10/1993	Rhaney et al.	
5,269,157 A	12/1993	Ciminelli et al.	
5,285,656 A *	2/1994	Peters	A45C 5/14 16/38
5,285,936 A	2/1994	Matricardi	
5,313,817 A	5/1994	Meinders	
D353,304 S *	12/1994	Friedrich	D7/605
5,423,195 A	6/1995	Peters	
5,465,985 A *	11/1995	Devan	A45C 5/146 280/30
5,479,866 A	1/1996	Rae	

(Continued)

**OTHER PUBLICATIONS**

Amazon, "RovR 80 Quart Wheeled Camping Cooler", First reviewed on Jan. 9, 2017. (<https://www.amazon.com/RovR-Quart-Wheeled-Camping-Cooler/dp/B01M0SKHGH>).\*

*Primary Examiner* — Jennifer Rivard

*Assistant Examiner* — April Rivas

(74) *Attorney, Agent, or Firm* — Lieberman & Brandsdorfer, LLC

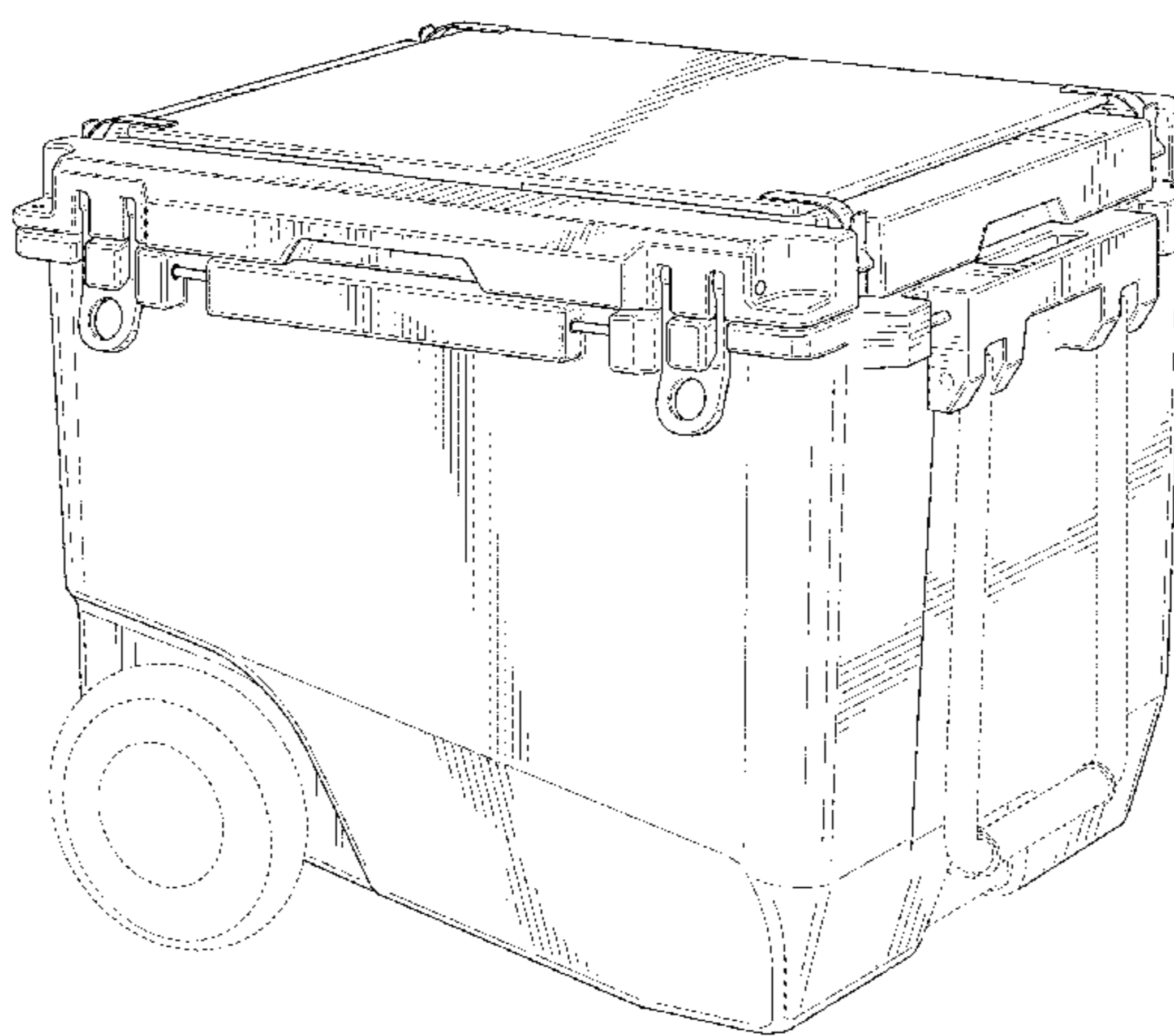
(57) **CLAIM**

The ornamental design for a container, as shown and described.

**DESCRIPTION**

FIG. 1 is a front perspective view of a container showing my new design;  
FIG. 2 is a front view thereof;  
FIG. 3 is a rear view thereof;  
FIG. 4 is a left side view thereof;  
FIG. 5 is a right side view thereof;  
FIG. 6 is a top plan view thereof; and,  
FIG. 7 is a bottom plan view thereof.  
The broken lines are included for the purpose of illustrating portions of the container that form no part of the claimed design.

**1 Claim, 7 Drawing Sheets**



# US D815,919 S

Page 2

(56)

## References Cited

### U.S. PATENT DOCUMENTS

5,595,429 A	1/1997	Kennedy	7,334,802 B2 *	2/2008	Kaplan	A45C 9/00
5,803,472 A	9/1998	Lien				108/14
5,953,931 A	9/1999	Brittain	D609,911 S *	2/2010	Twig	D3/279
D415,658 S *	10/1999	Frehse	D613,560 S *	4/2010	Robichaud	D7/605
D429,606 S *	8/2000	Israel	7,891,678 B2 *	2/2011	Anderson	B25H 3/00
6,153,857 A	11/2000	Gunnels				280/30
6,318,713 B1 *	11/2001	Levi	D649,783 S *	12/2011	Brunner	D3/279
			9,199,657 B2 *	12/2015	Martin	B62B 5/0083
6,318,740 B1	11/2001	Nappo	D767,277 S *	9/2016	Faibish	D3/279
6,364,329 B1	4/2002	Holub et al.	D770,179 S *	11/2016	Menirom	D3/279
6,394,325 B1	5/2002	Taylor	D771,381 S *	11/2016	Sosnovsky	D3/279
6,446,988 B1	9/2002	Kho	9,550,605 B1 *	1/2017	Summers	B65D 21/0215
6,474,097 B2	11/2002	Treppedi et al.	2008/0179847 A1	7/2008	DeFrancia	
D480,276 S *	10/2003	Duart	2010/0000893 A1 *	1/2010	Twig	B25H 3/023
6,895,778 B1	5/2005	Ackerman				206/373
D514,891 S *	2/2006	Garcia	2012/0292213 A1 *	11/2012	Brunner	B25H 3/028
7,252,295 B2	8/2007	Bludworth				206/349
			2014/0197059 A1 *	7/2014	Evans	B25H 3/02
						206/349
			2017/0129097 A1 *	5/2017	Engvall	B25H 3/02

\* cited by examiner

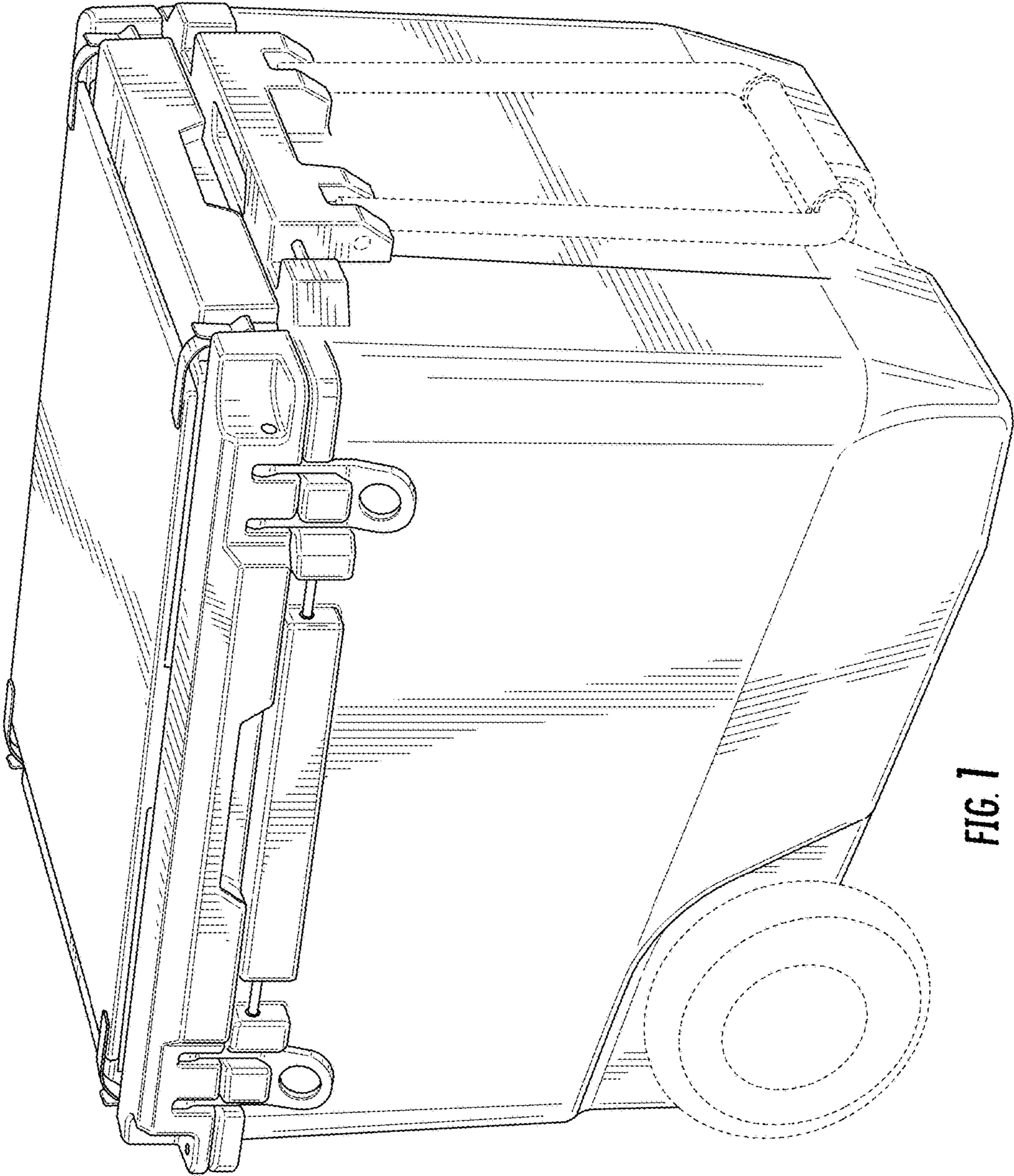


FIG. 1

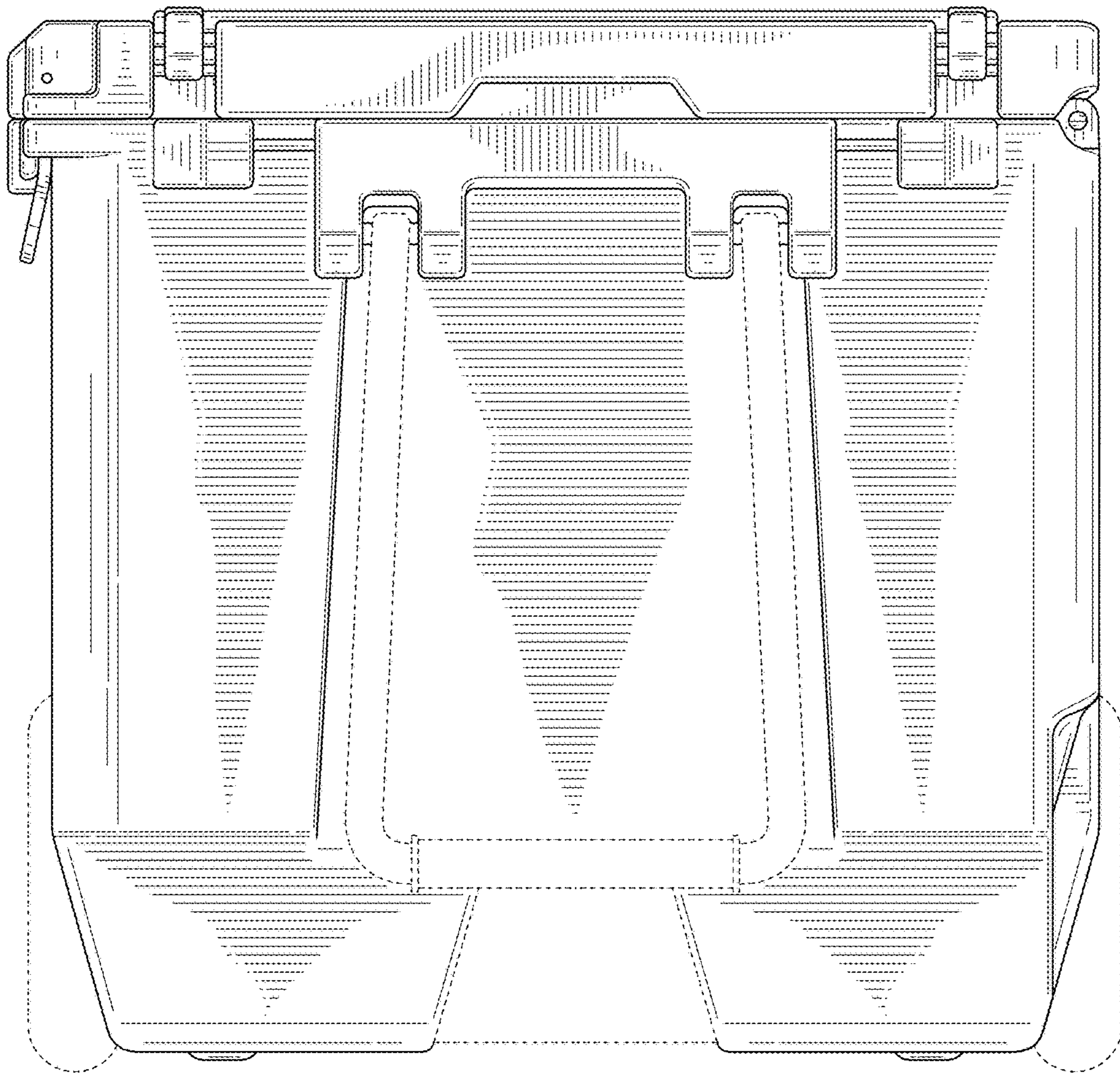


FIG. 2

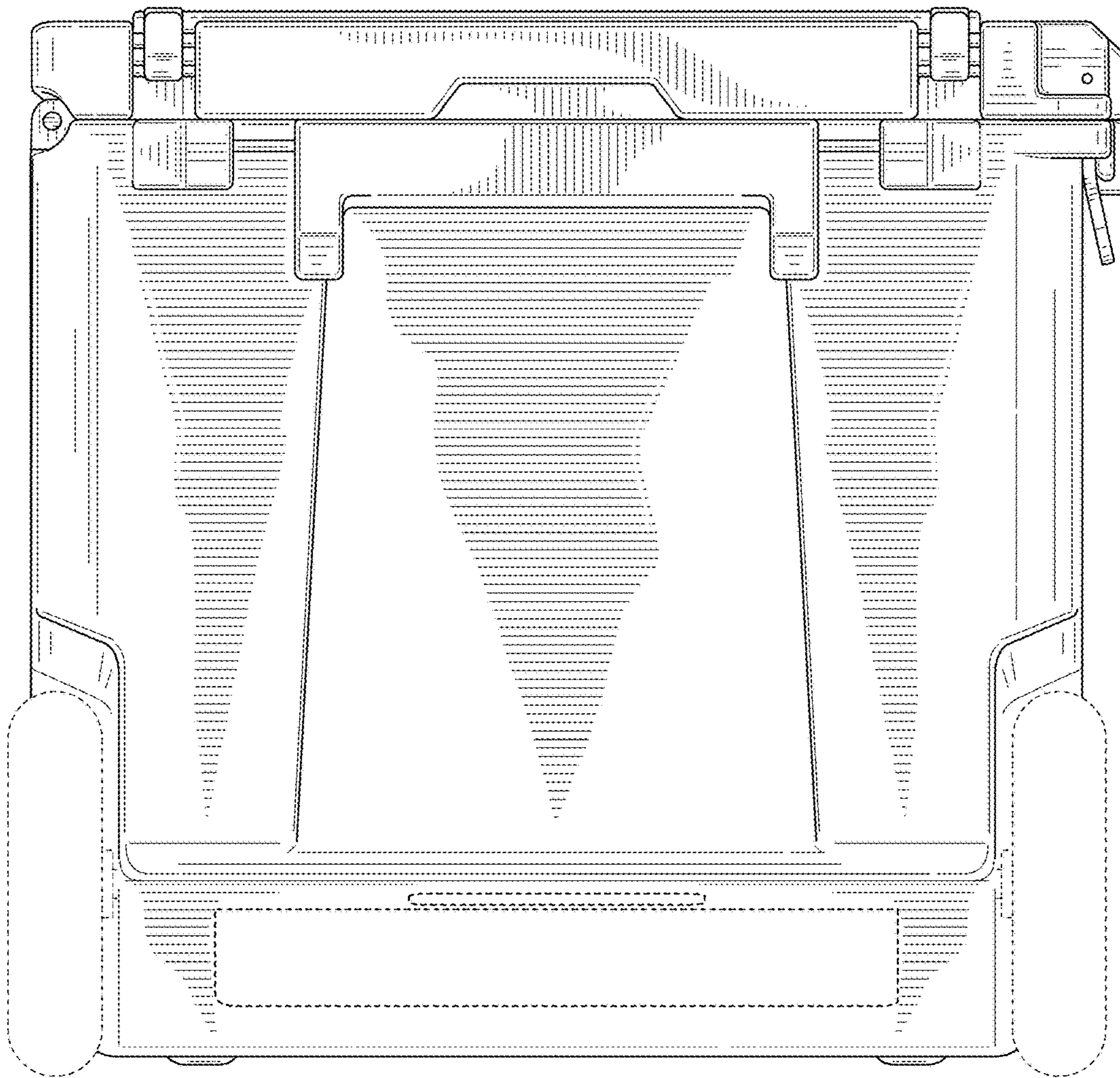


FIG. 3

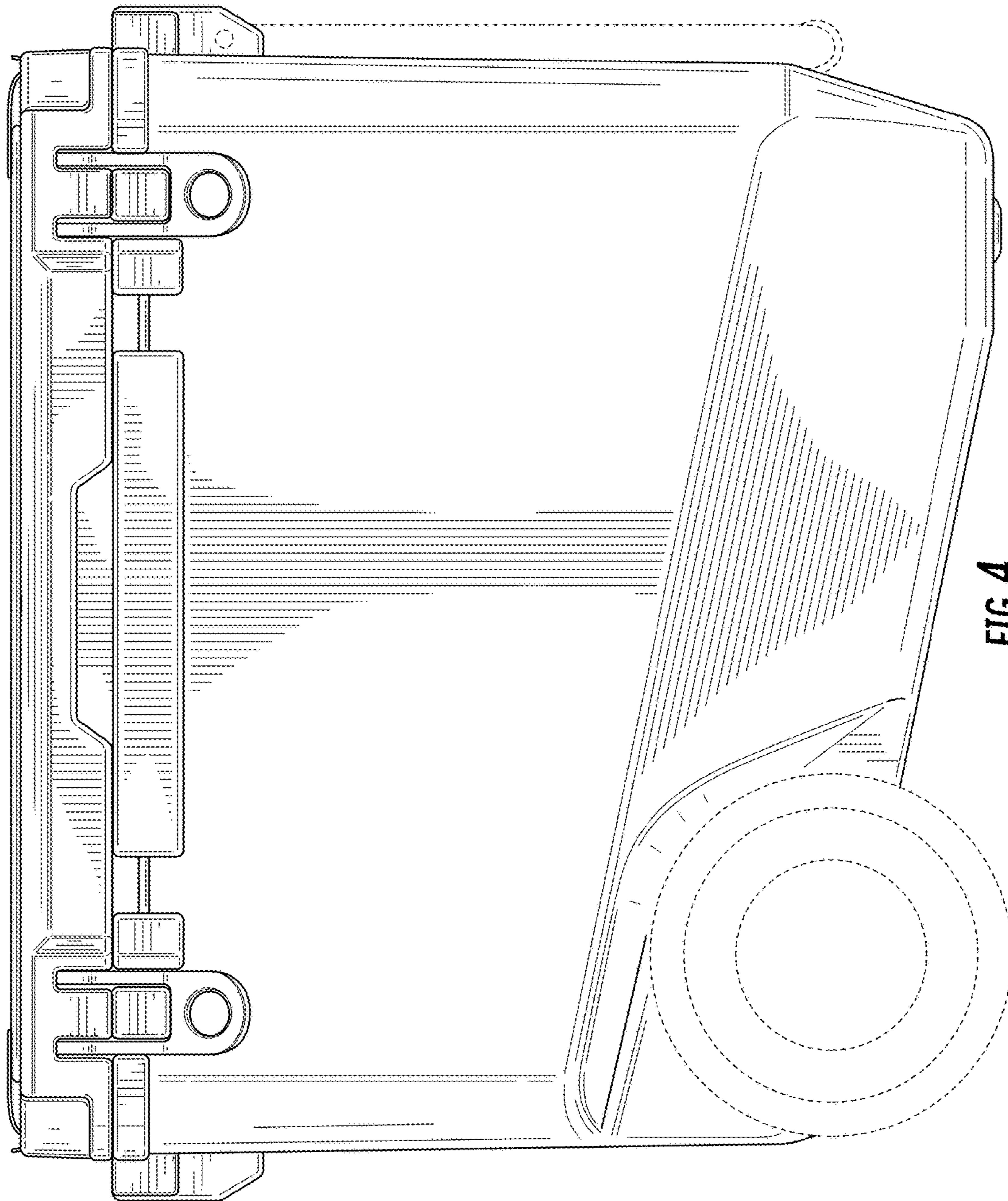


FIG. 4

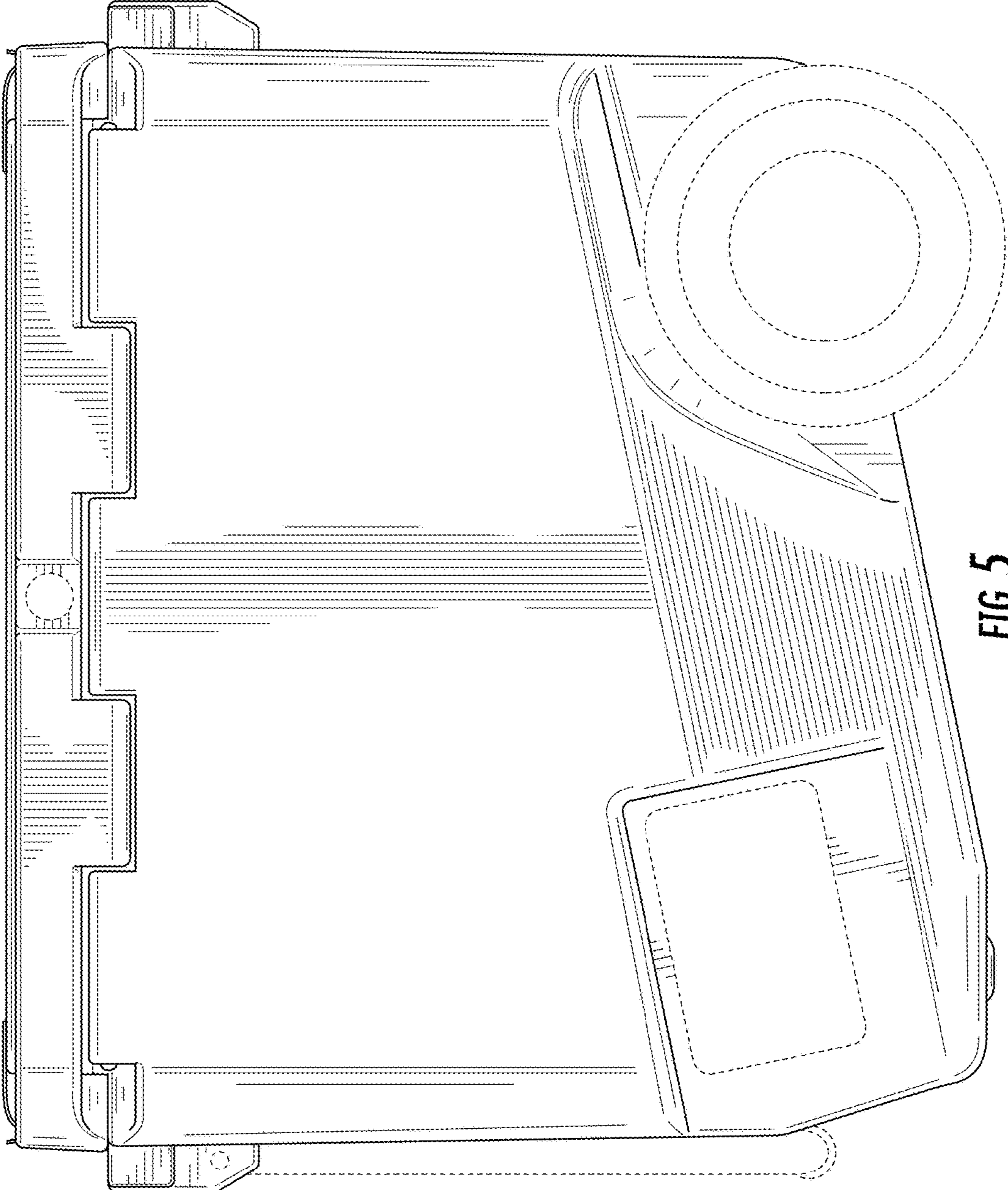


FIG. 5

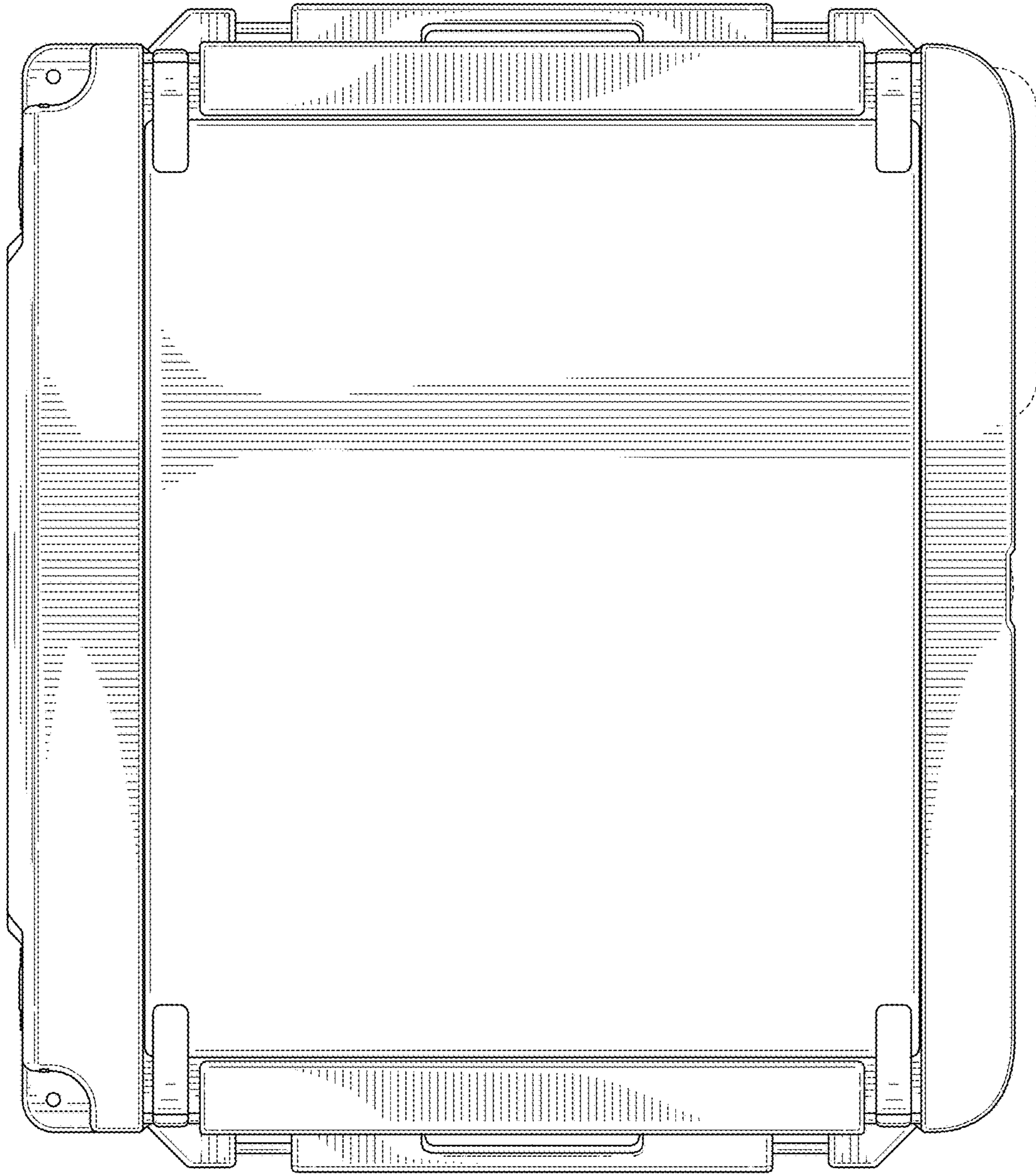


FIG. 6



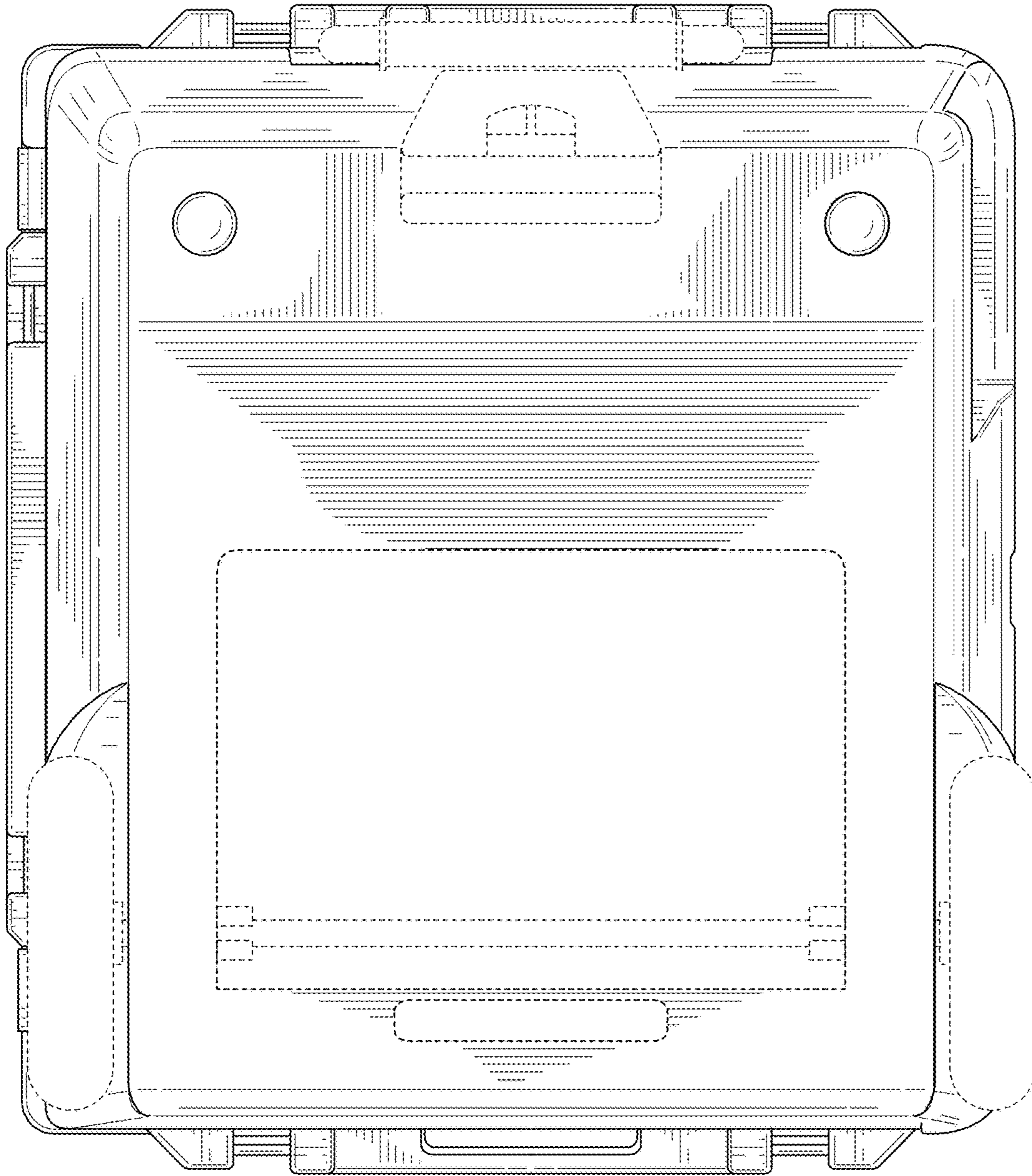


FIG. 7