



US00D815916S

(12) **United States Design Patent**
Raphael

(10) **Patent No.:** **US D815,916 S**
(45) **Date of Patent:** **** Apr. 24, 2018**

- (54) **TINT AND PRINT DISPOSABLE BOWL LINER**
- (71) Applicant: **Rhonda Raphael**, Corona, CA (US)
- (72) Inventor: **Rhonda Raphael**, Corona, CA (US)
- (**) Term: **15 Years**
- (21) Appl. No.: **29/601,167**
- (22) Filed: **Apr. 19, 2017**
- (51) **LOC (11) Cl.** **07-01**
- (52) **U.S. Cl.**
USPC **D7/584**; D28/20
- (58) **Field of Classification Search**
USPC D28/20, 61, 56; D9/761; D7/500, 541,
D7/538, 553.6, 555, 557, 586, 543, 396.1,
D7/584; D30/129; 132/200
CPC ... A47G 19/2205; A47G 19/30; A47J 45/077;
A47J 43/0727; A45D 19/06
See application file for complete search history.

- D626,790 S 11/2010 Gibson et al.
- D660,444 S * 5/2012 Tran D24/204
- D672,200 S * 12/2012 Lee D7/543
- D682,482 S 5/2013 Nelson
- D682,485 S 5/2013 Wygle
- D693,647 S * 11/2013 Seyers D7/587
- D715,594 S 10/2014 Norland et al.
- D717,607 S 11/2014 Miller et al.
- D728,865 S 5/2015 Tsengas
- 9,179,753 B2 * 11/2015 Huynh A45D 29/18
- 9,220,372 B2 * 12/2015 Benoit A47J 43/0727
- D746,640 S 1/2016 Myoung et al.
- D762,017 S 7/2016 Tsengas

(Continued)

Primary Examiner — Cynthia R Underwood
(74) *Attorney, Agent, or Firm* — Kirk A. Buhler; Buhler & Associates

(57) **CLAIM**

The ornamental design for a tint and print disposable bowl liner, as shown and described.

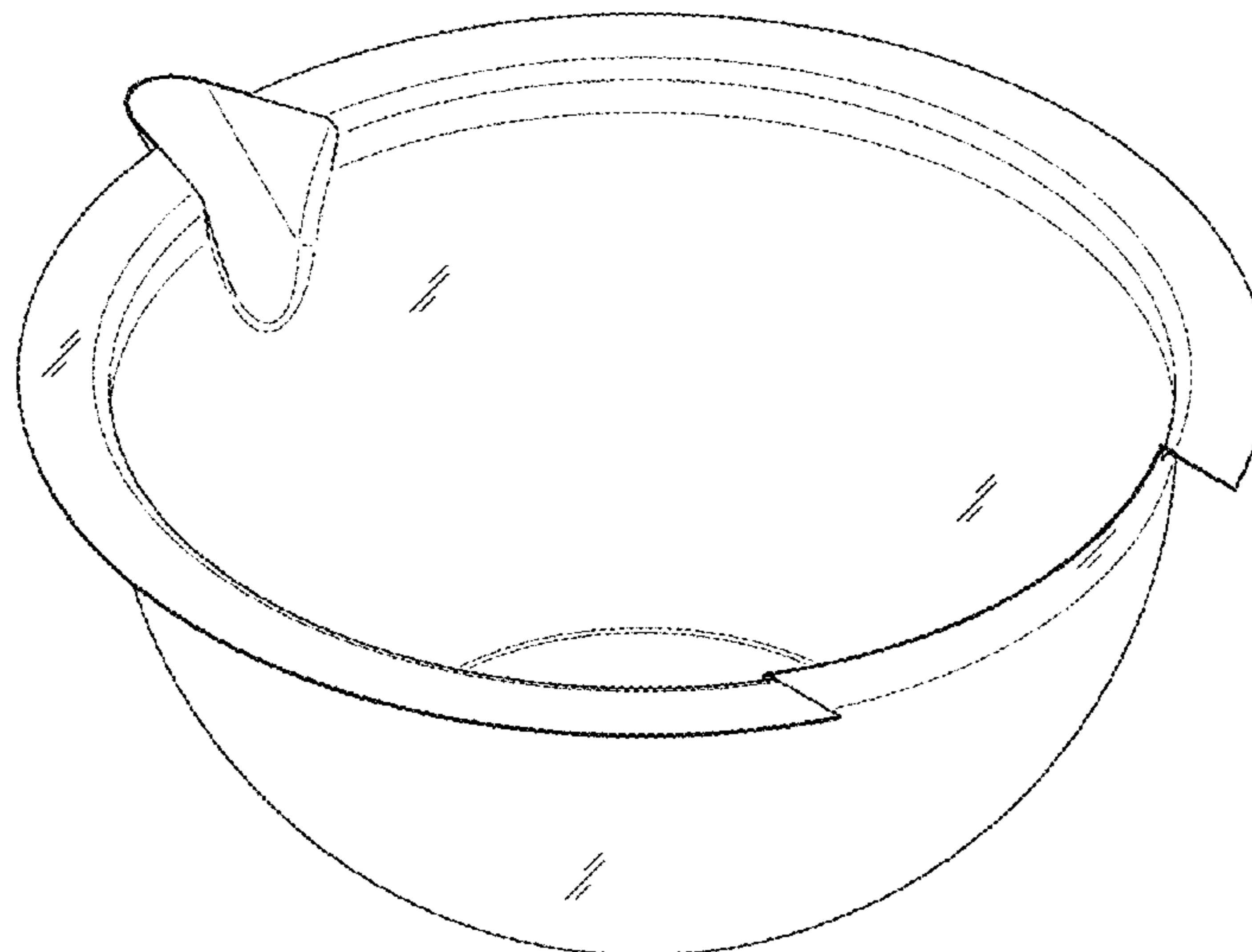
DESCRIPTION

FIG. 1 is a top perspective view for a tint and print disposable bowl liner showing my new design;
 FIG. 2 is a left side view thereof, the right side view being a mirror image thereof;
 FIG. 3 is a front view thereof;
 FIG. 4 is a rear view thereof;
 FIG. 5 is a top view thereof;
 FIG. 6 is a bottom view thereof;
 FIG. 7 is a lower perspective view;
 FIG. 8 is a sectional view taken along lines 8-8 from FIG. 5 thereof; and,
 FIG. 9 is a top perspective view shown in an environment of use.
 The broken lines in FIG. 9 depict environmental subject matter of a tint bowl for the invention and forms no part of the claimed design.

1 Claim, 6 Drawing Sheets

(56) **References Cited**
U.S. PATENT DOCUMENTS

- D55,366 S 6/1920 Churchill
- 2,677,947 A 4/1950 Van Guilder
- 2,937,783 A * 5/1960 Press A47G 19/23
206/515
- D330,785 S 11/1992 Jordan
- D432,860 S 10/2000 Hamilton
- D454,989 S 3/2002 McLaughlin
- D480,604 S 10/2003 Lillelund
- D503,310 S 3/2005 Jalet et al.
- D543,074 S * 5/2007 Luft D7/543
- D562,633 S * 2/2008 Luft D7/509
- D564,138 S 3/2008 Dunn et al.
- D565,253 S 3/2008 Modi
- D565,356 S 4/2008 Mellen et al.
- D568,102 S 5/2008 Ruiz de Az a
- D587,406 S * 2/2009 Ruiz D28/61
- D590,551 S 4/2009 Sperbeck



(56)

References Cited

U.S. PATENT DOCUMENTS

D770,233 S * 11/2016 Raphael D7/584
D772,493 S * 11/2016 Wu D30/129
D774,203 S * 12/2016 Zolotnik D24/204
D780,520 S * 3/2017 Belin D7/543
9,788,630 B2 * 10/2017 Vinokur A45D 29/00
9,788,677 B2 * 10/2017 Le Bris A47J 27/002
D804,727 S * 12/2017 Zolotnik D28/61
2010/0059077 A1 * 3/2010 Gerschman A45D 29/00
132/200
2010/0200012 A1 * 8/2010 Sloan A45D 19/06
132/200
2011/0139169 A1 * 6/2011 Gerschman A45D 44/00
132/200

* cited by examiner

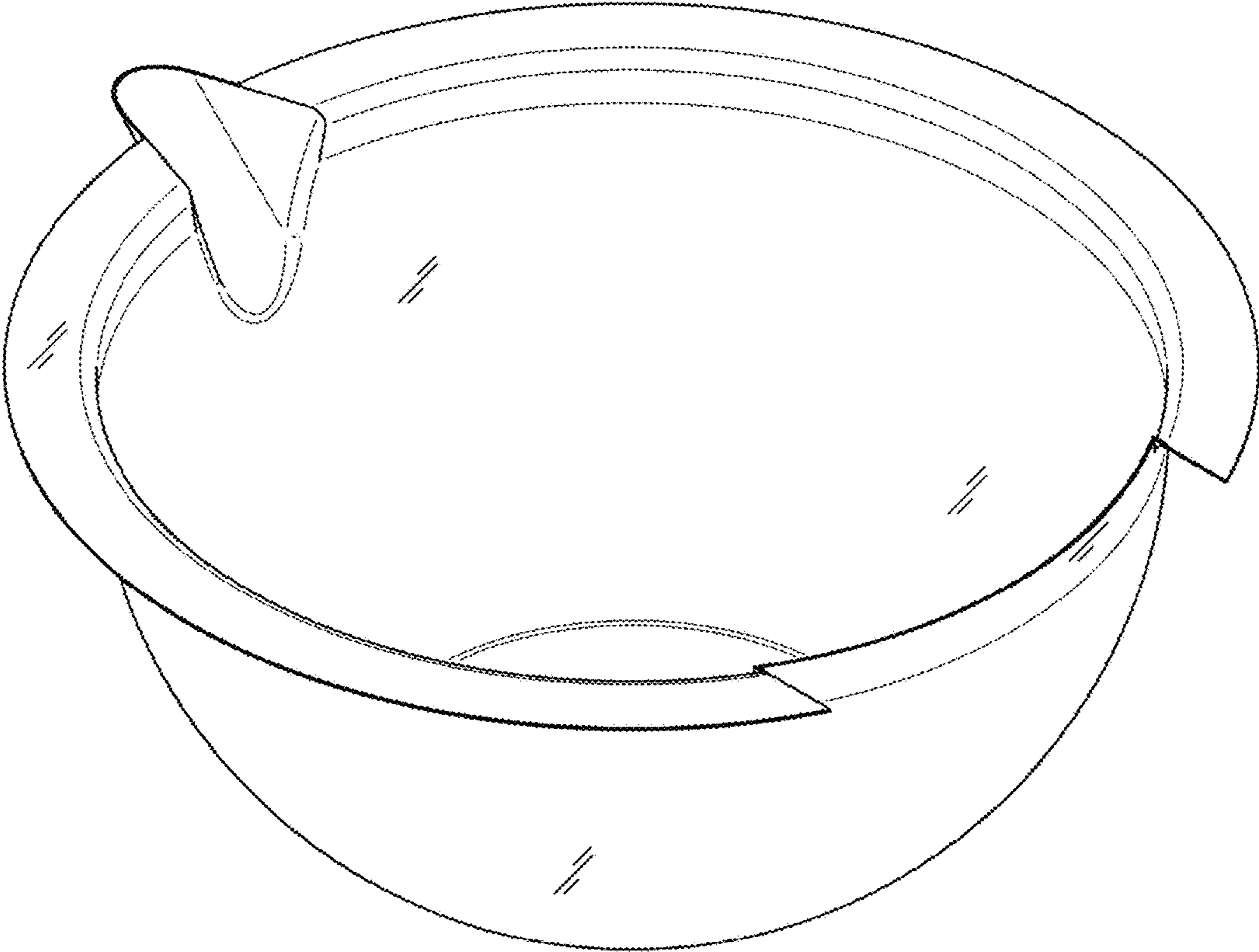
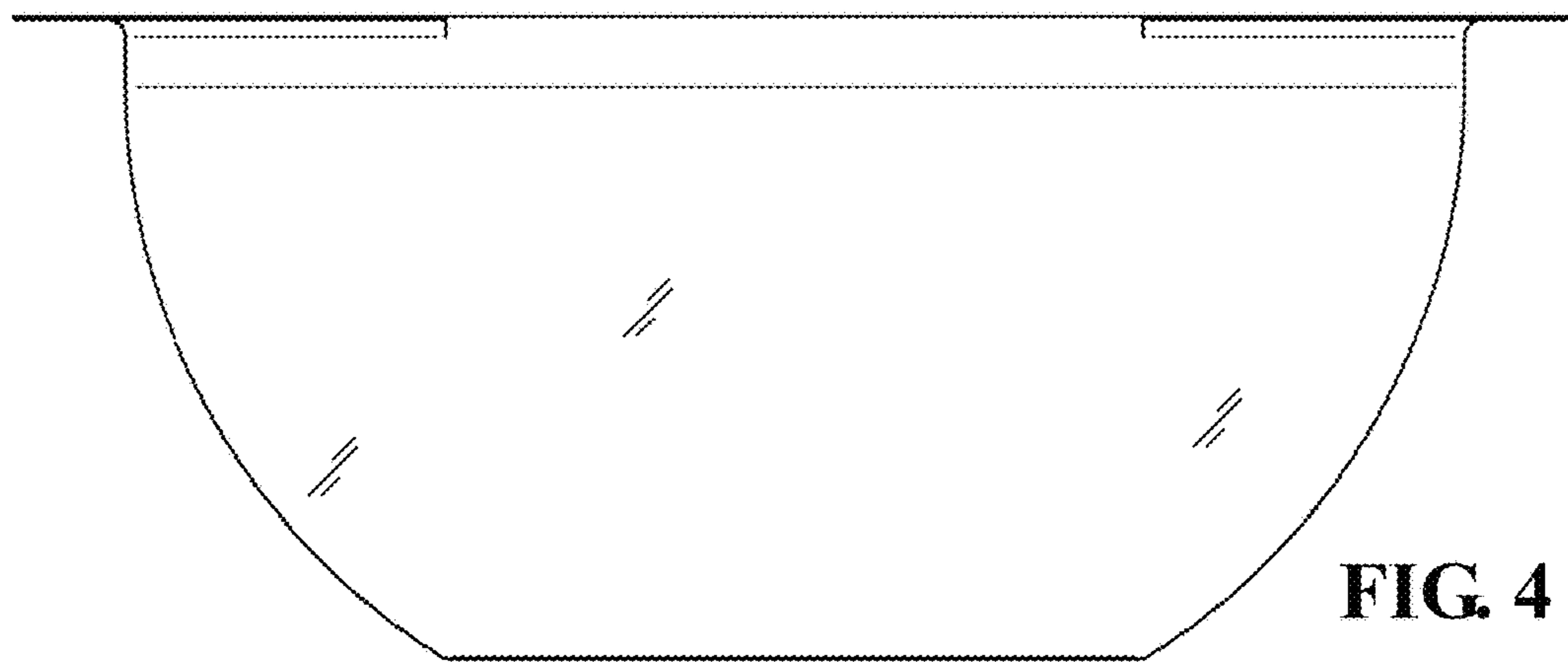
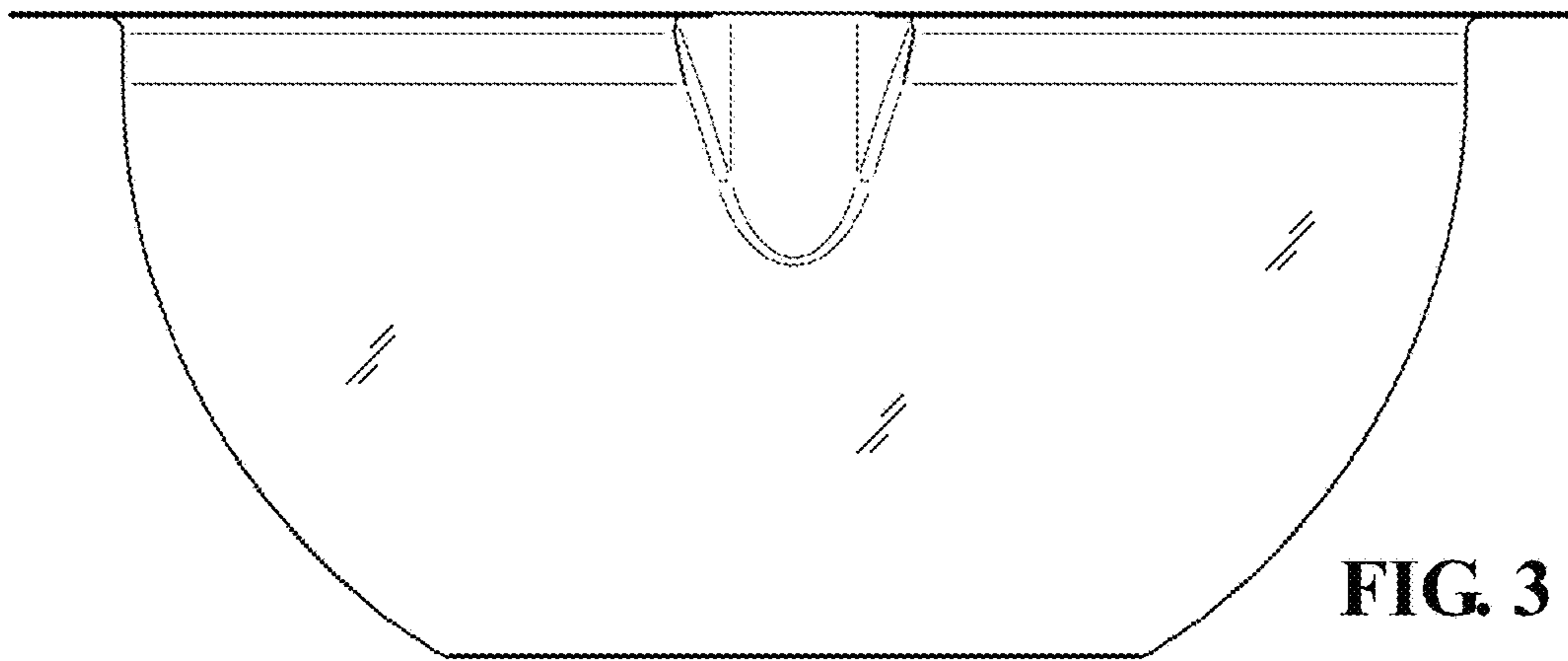
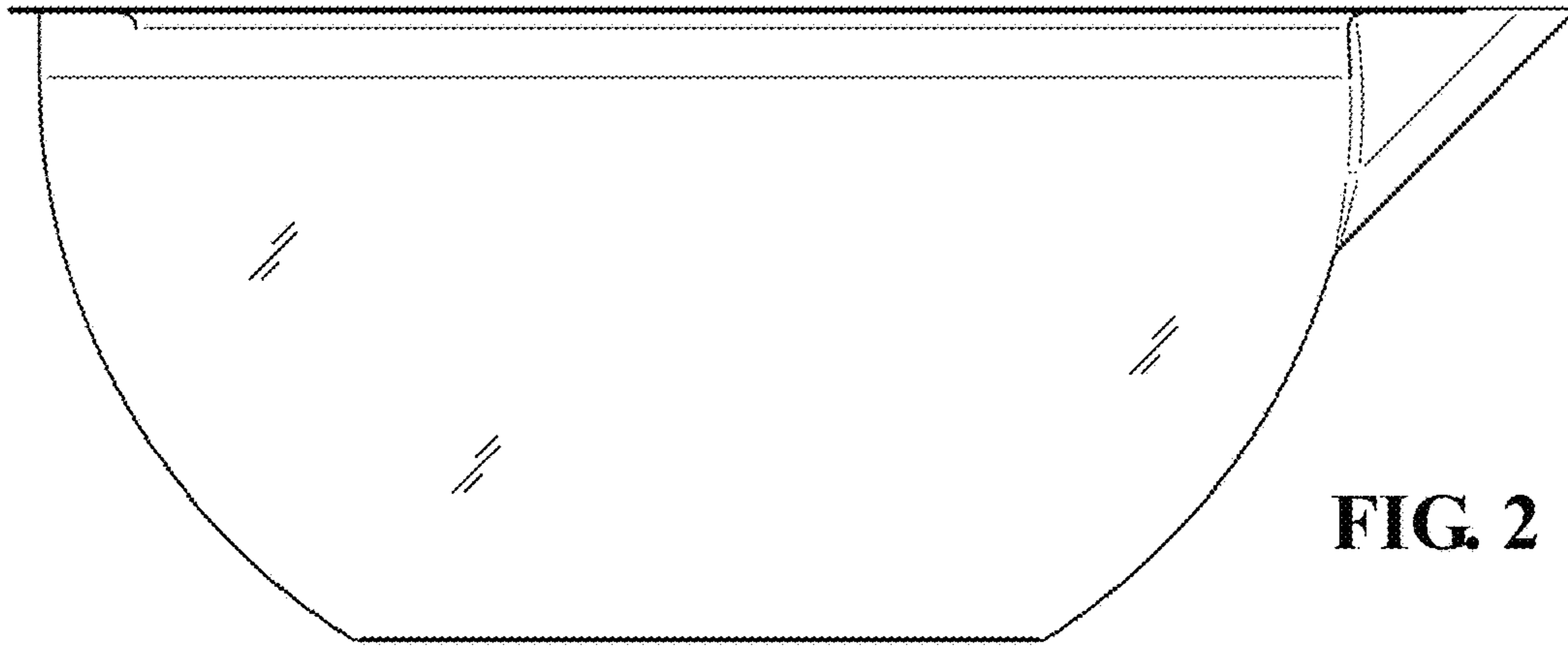


FIG. 1



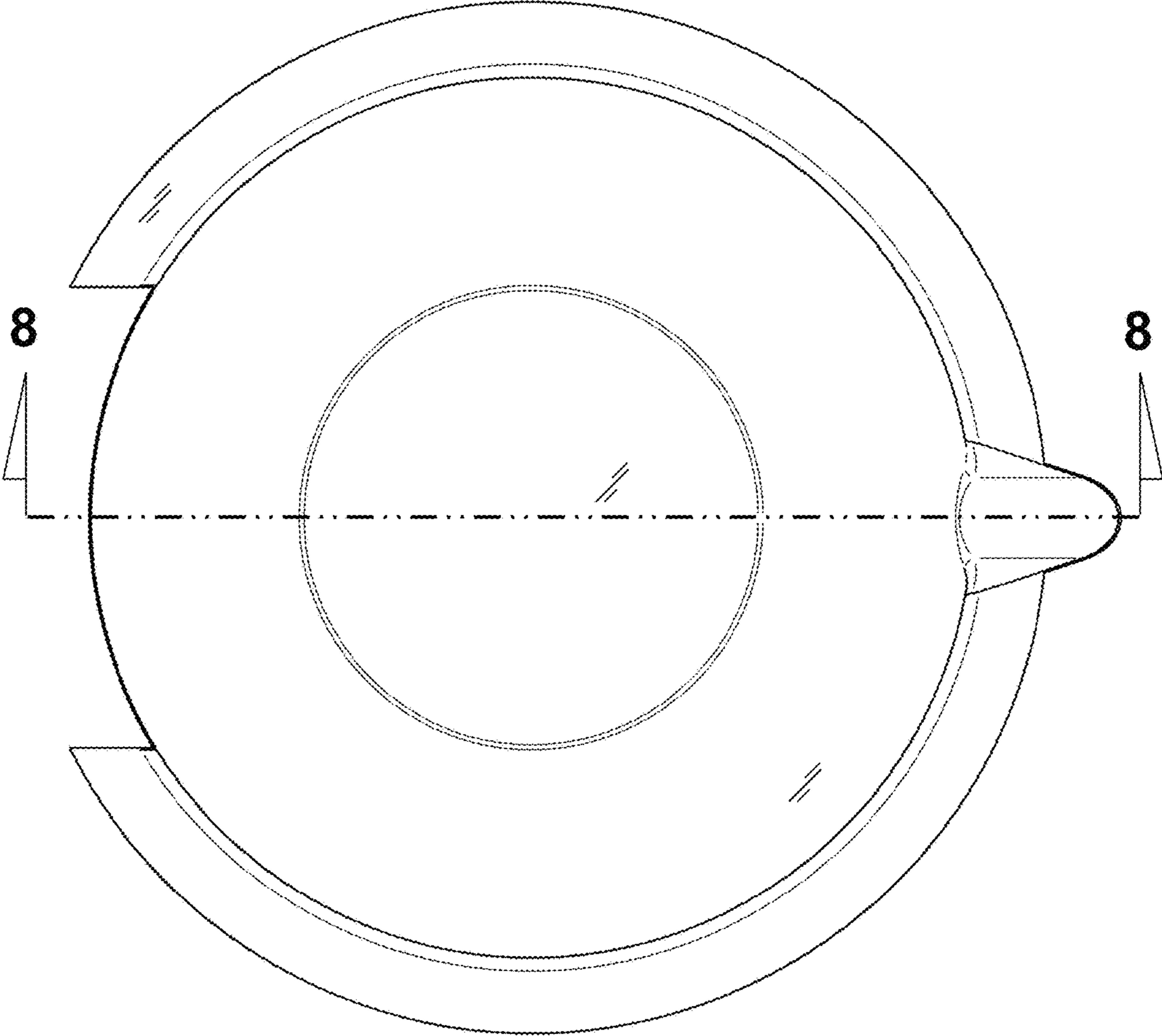


FIG. 5

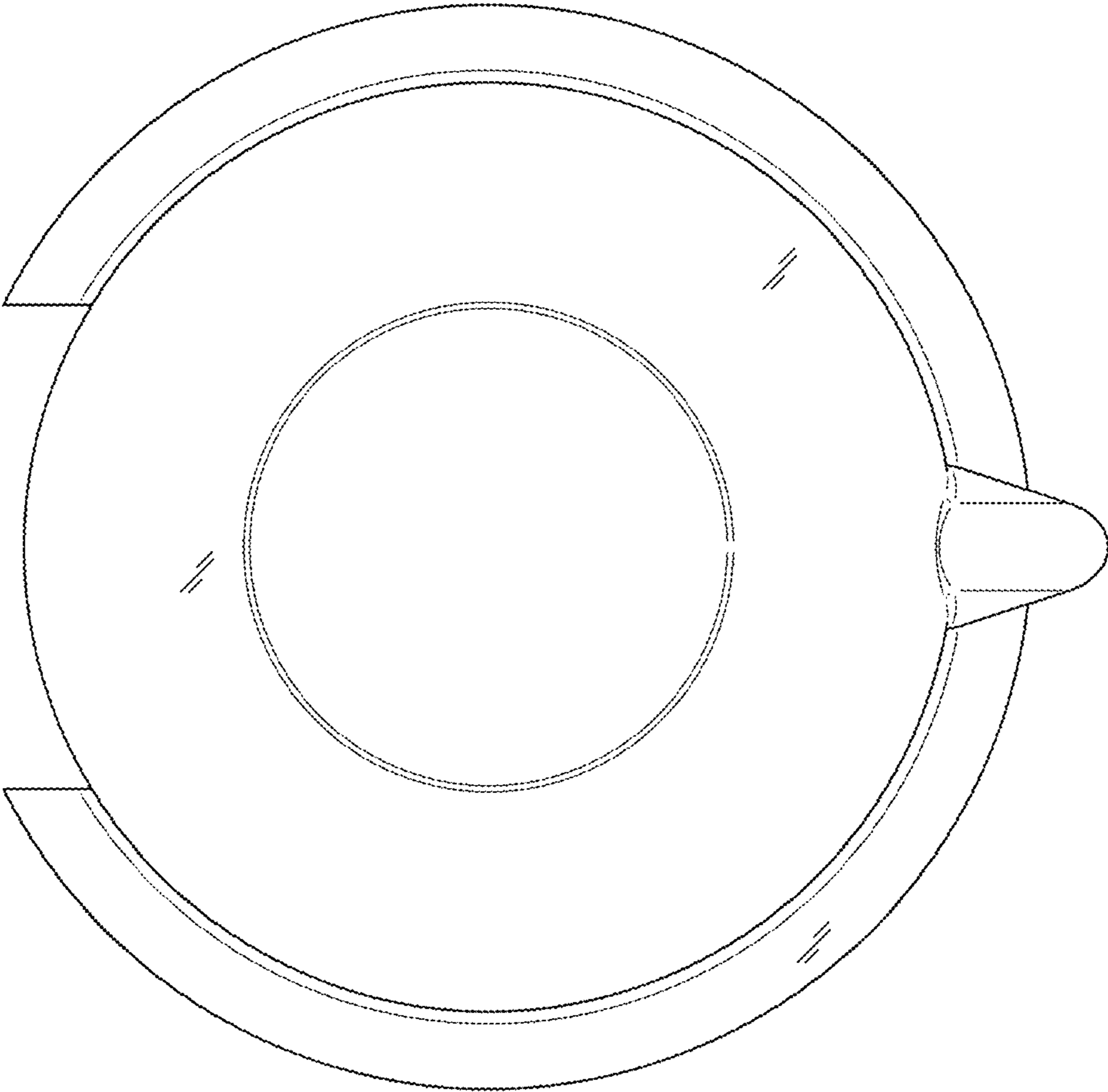


FIG. 6

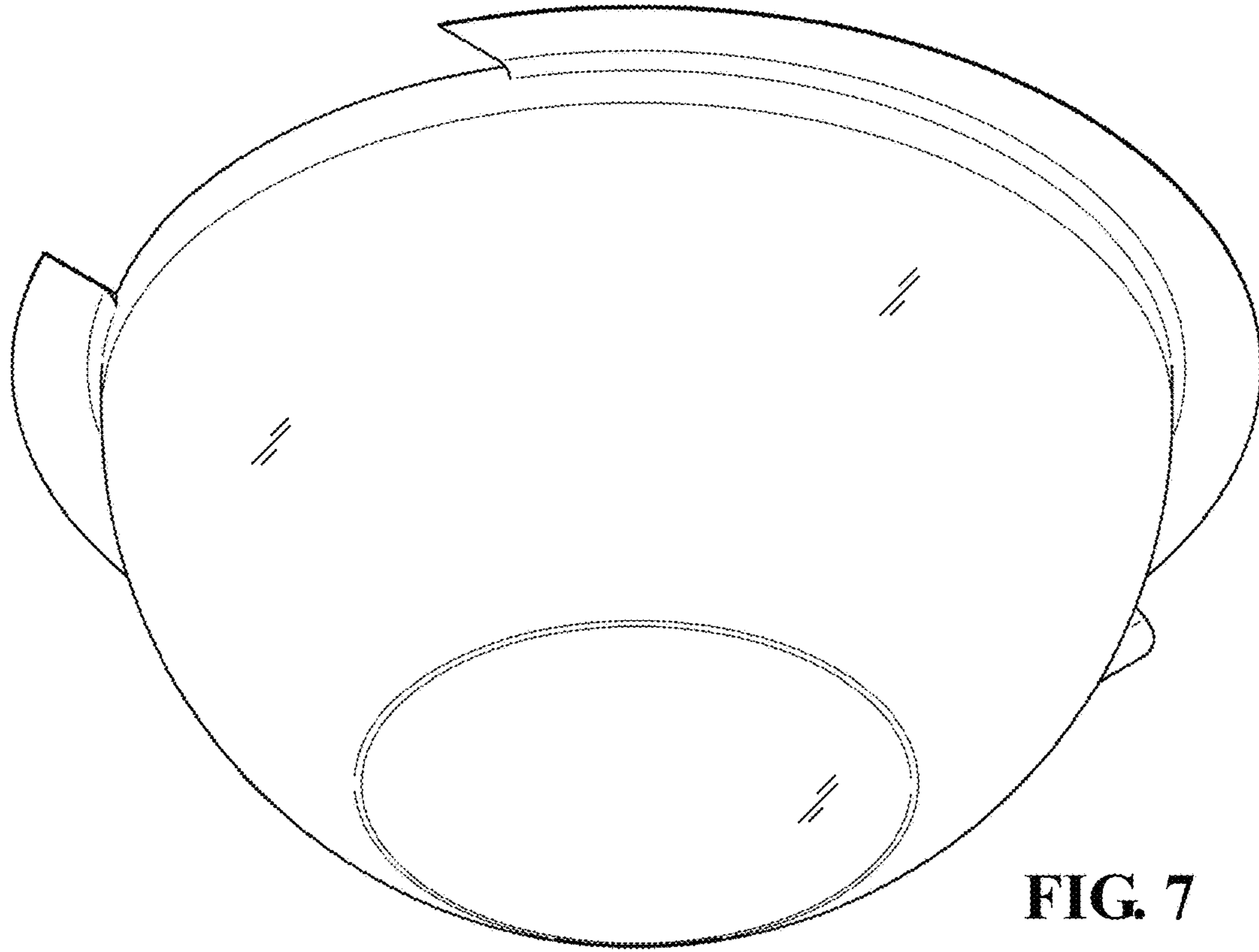


FIG. 7

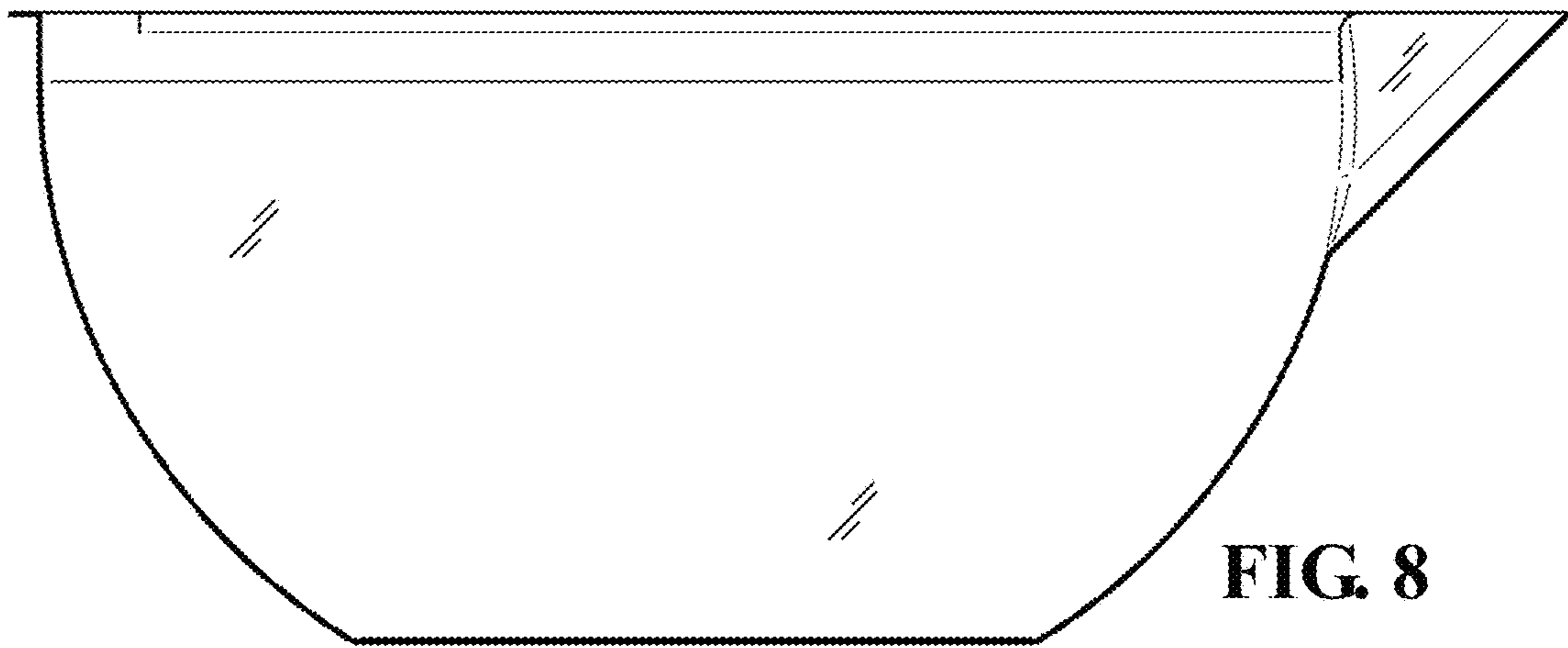


FIG. 8

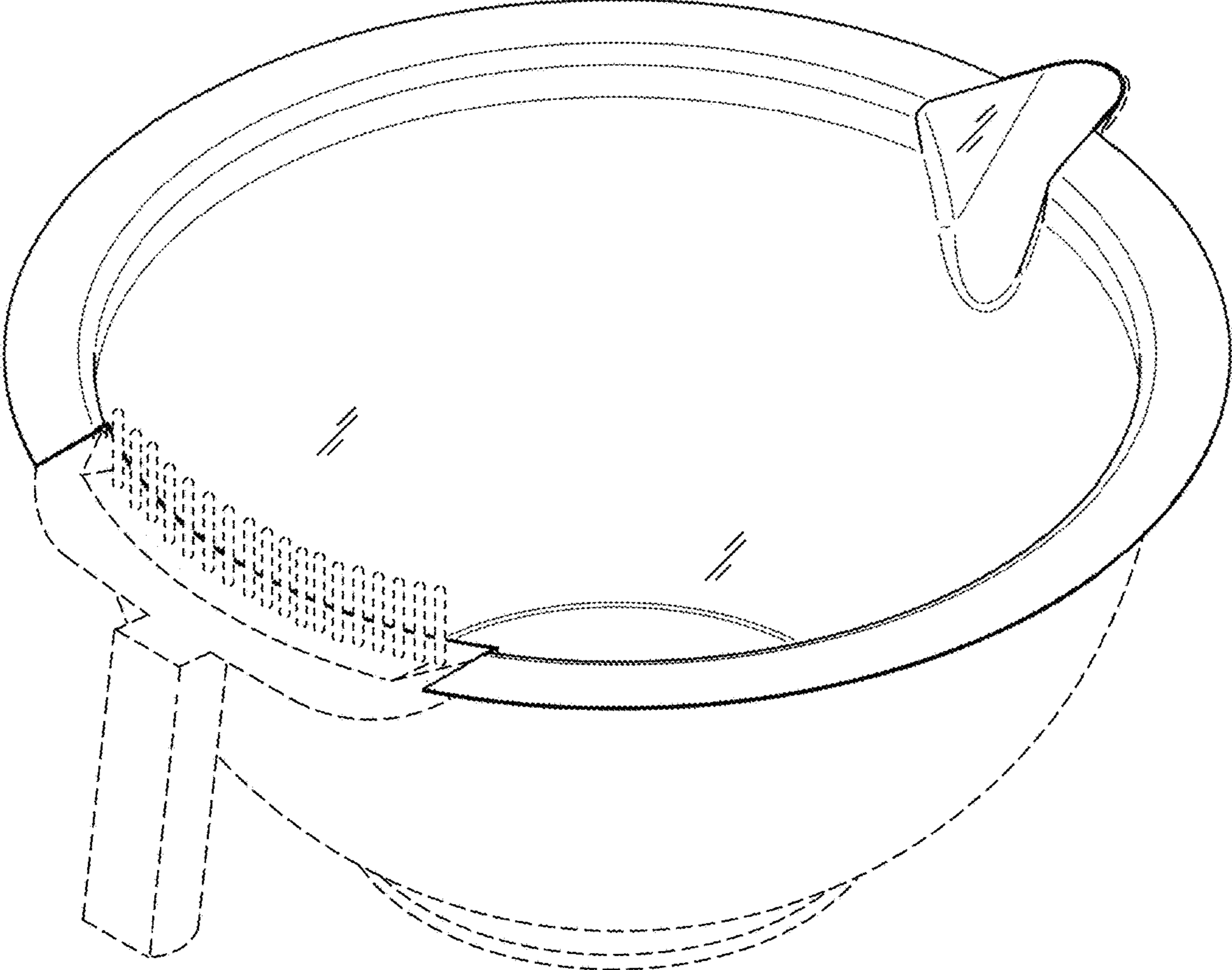


FIG. 9