



US00D815915S

(12) **United States Design Patent**
Raphael

(10) **Patent No.:** **US D815,915 S**
(45) **Date of Patent:** **** Apr. 24, 2018**

(54) **TINT AND PRINT DISPOSABLE BOWL LINER**

(71) Applicant: **Rhonda Raphael**, Corona, CA (US)

(72) Inventor: **Rhonda Raphael**, Corona, CA (US)

(**) Term: **15 Years**

(21) Appl. No.: **29/601,166**

(22) Filed: **Apr. 19, 2017**

(51) **LOC (11) Cl.** **07-01**

(52) **U.S. Cl.**

USPC **D7/584**; D28/20

(58) **Field of Classification Search**

USPC D28/20, 61, 56; D9/761; D7/500, 541,
D7/538, 553.6, 555, 557, 586, 543, 396.1,

D7/584; D30/129; 132/200

CPC ... A47G 19/2205; A47G 19/30; A47J 45/077;
A47J 43/0727; A45D 19/06

See application file for complete search history.

(56) **References Cited**

U.S. PATENT DOCUMENTS

D55,366 S	6/1920	Churchill	
2,677,947 A	4/1950	Van Guilder	
2,937,783 A *	5/1960	Press	A47G 19/23 206/515
D330,785 S	11/1992	Jordan	
D432,860 S	10/2000	Hamilton	
D454,989 S	3/2002	McLaughlin	
D480,604 S	10/2003	Lillelund et al.	
D503,310 S	3/2005	Jalet et al.	
D543,074 S *	5/2007	Luft	D7/543
D562,633 S *	2/2008	Luft	D7/509
D564,138 S	3/2008	Dunn et al.	
D565,253 S	3/2008	Modi	
D565,356 S	4/2008	Mellen et al.	
D568,102 S	5/2008	Ruiz de Az a	
D587,406 S *	2/2009	Ruiz	D28/61
D590,551 S	4/2009	Sperbeck	

D626,790 S	11/2010	Gibson et al.	
D660,444 S *	5/2012	Tran	D24/204
D672,200 S *	12/2012	Lee	D7/543
D682,482 S	5/2013	Nelson	
D682,485 S	5/2013	Wygle	
D693,647 S *	11/2013	Seyers	D7/587
D715,594 S	10/2014	Norland et al.	
D717,607 S	11/2014	Miller et al.	
D728,865 S	5/2015	Tsengas	
9,179,753 B2 *	11/2015	Huynh	A45D 29/18
9,220,372 B2 *	12/2015	Benoit	A47J 43/0727
D746,640 S	1/2016	Myoung et al.	
D762,017 S	7/2016	Tsengas	

(Continued)

Primary Examiner — Cynthia R Underwood

(74) *Attorney, Agent, or Firm* — Kirk A. Buhler; Buhler & Associates

(57) **CLAIM**

The ornamental design for a tint and print disposable bowl liner, as shown and described.

DESCRIPTION

FIG. 1 is a top perspective view for a tint and print disposable bowl liner showing my new design;

FIG. 2 is a left side view thereof, the right side view being a mirror image thereof;

FIG. 3 is a front view thereof;

FIG. 4 is a rear view thereof;

FIG. 5 is a top view thereof;

FIG. 6 is a bottom view thereof;

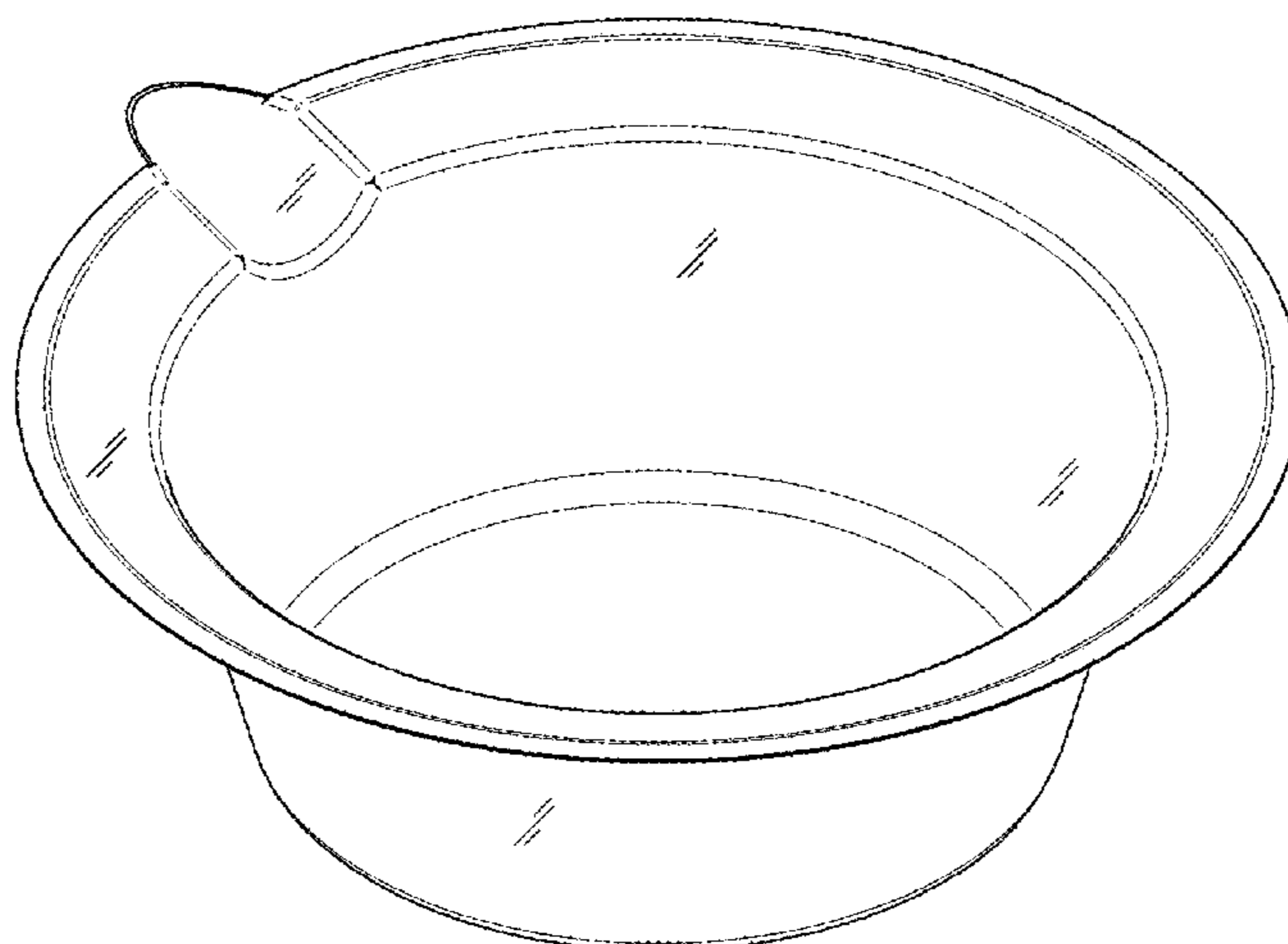
FIG. 7 is s lower perspective view;

FIG. 8 is a sectional view taken along lines 8-8 from FIG. 5 thereof; and,

FIG. 9 is a top perspective view shown in an environment of use.

The broken lines in FIG. 9 depict environmental subject matter of a tint bowl for the invention and forms no part of the claimed design.

1 Claim, 6 Drawing Sheets



(56)

References Cited

U.S. PATENT DOCUMENTS

D770,233	S *	11/2016	Raphael	D7/584
D772,493	S *	11/2016	Wu	D30/129
D774,203	S *	12/2016	Zolotnik	D24/204
D780,520	S *	3/2017	Belin	D7/543
9,788,630	B2 *	10/2017	Vinokur	A45D 29/00
9,788,677	B2 *	10/2017	Le Bris	A47J 27/002
D804,727	S *	12/2017	Zolotnik	D28/61
2010/0059077	A1 *	3/2010	Gerschman	A45D 29/00 132/200
2010/0200012	A1 *	8/2010	Sloan	A45D 19/06 132/200
2011/0139169	A1 *	6/2011	Gerschman	A45D 44/00 132/200

* cited by examiner

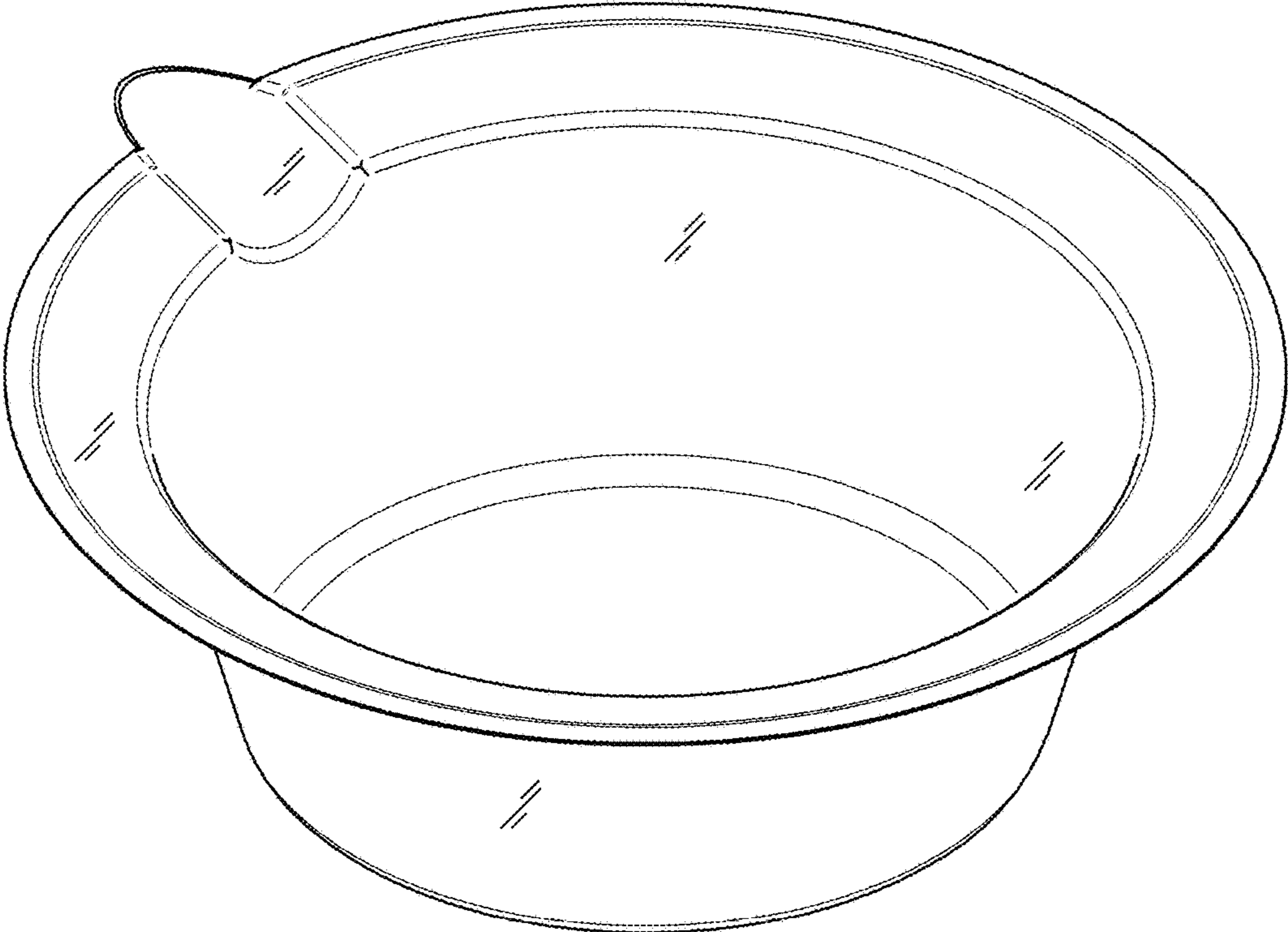


FIG. 1

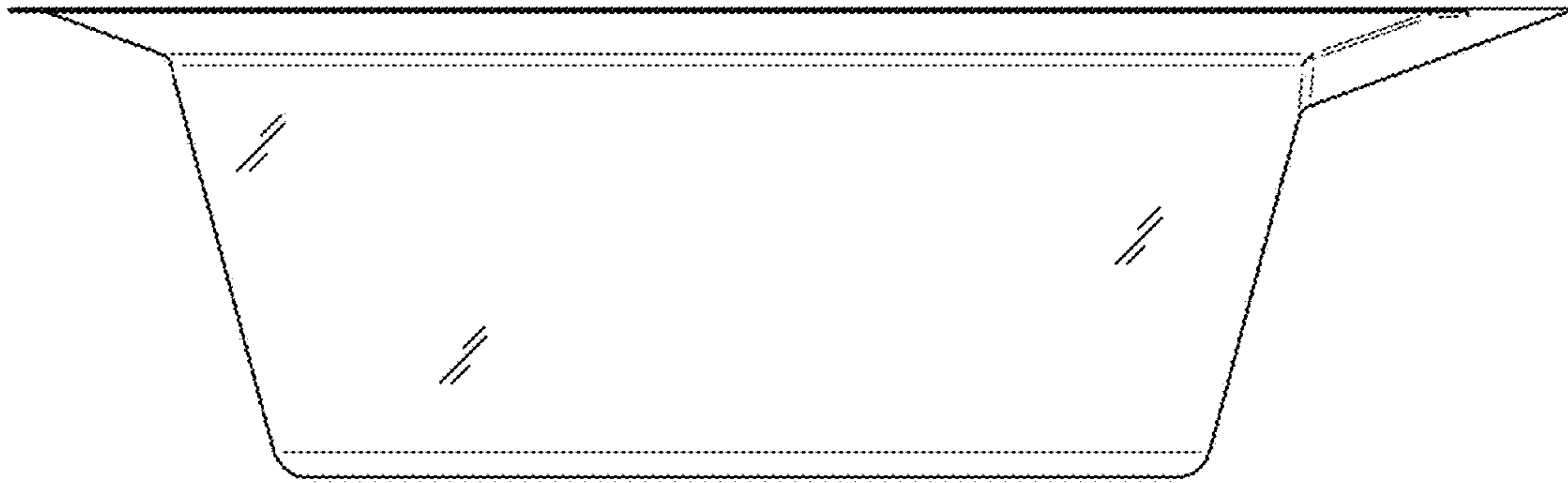


FIG. 2

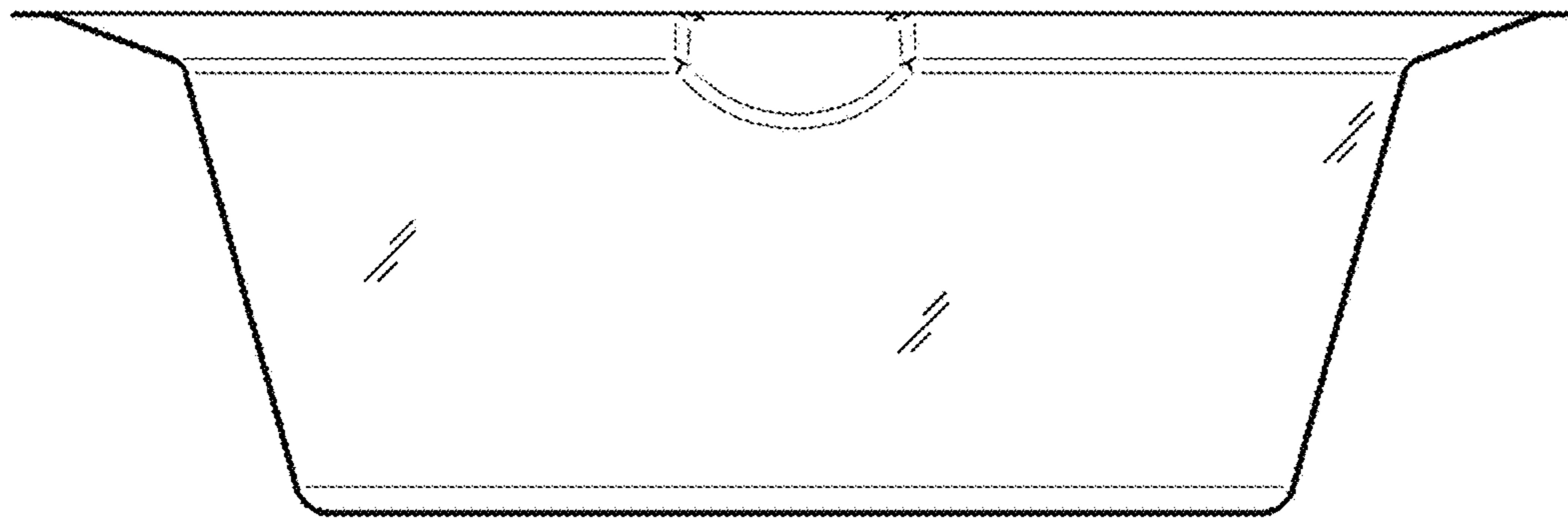


FIG. 3

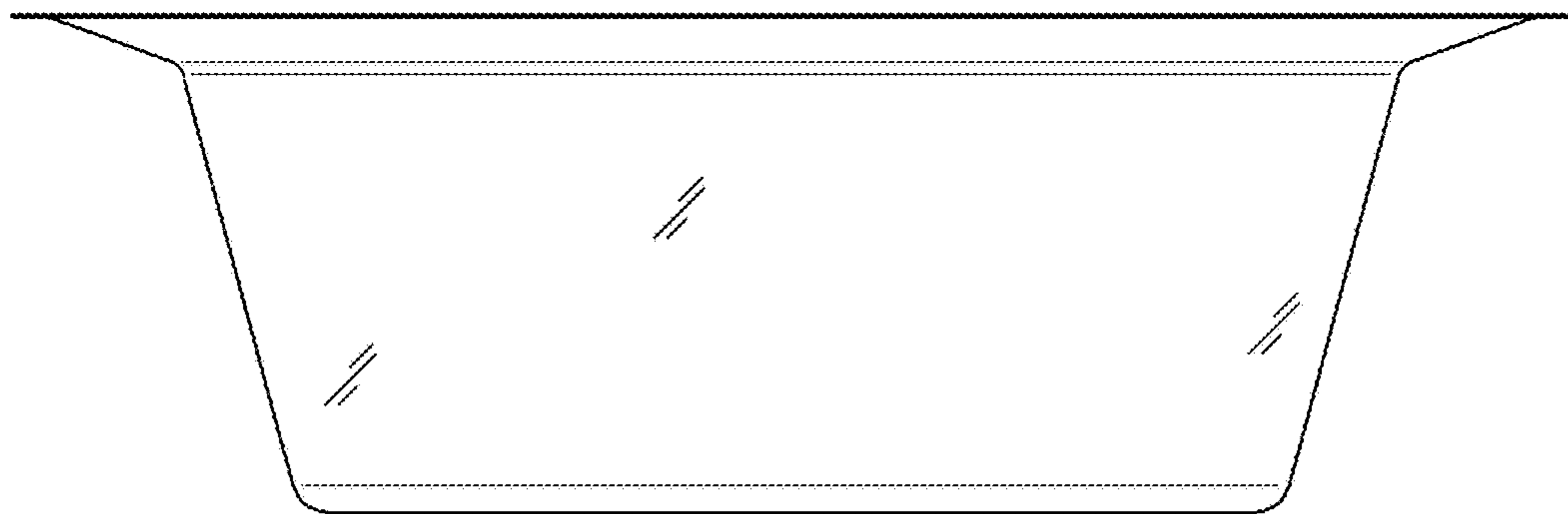


FIG. 4

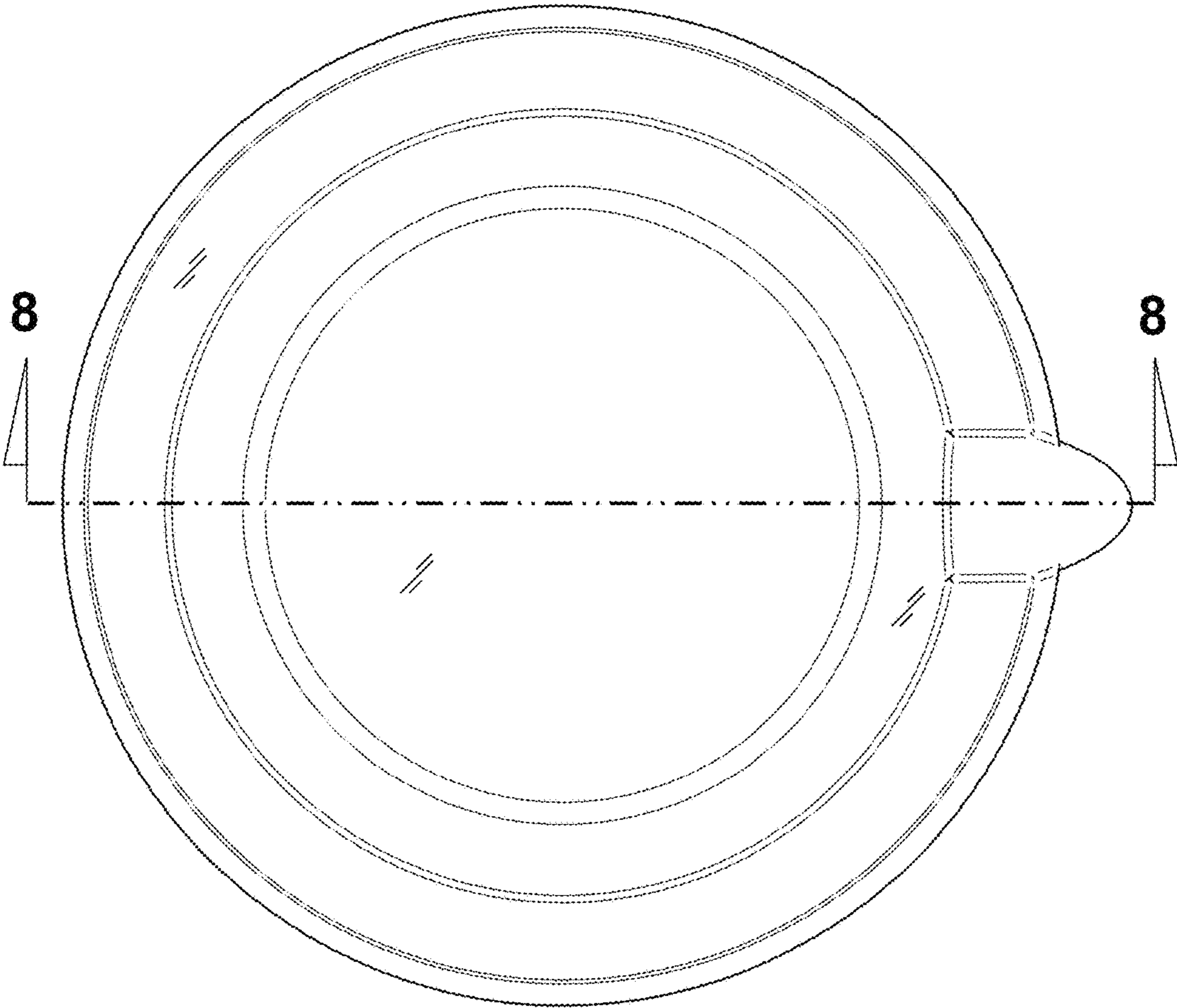


FIG. 5

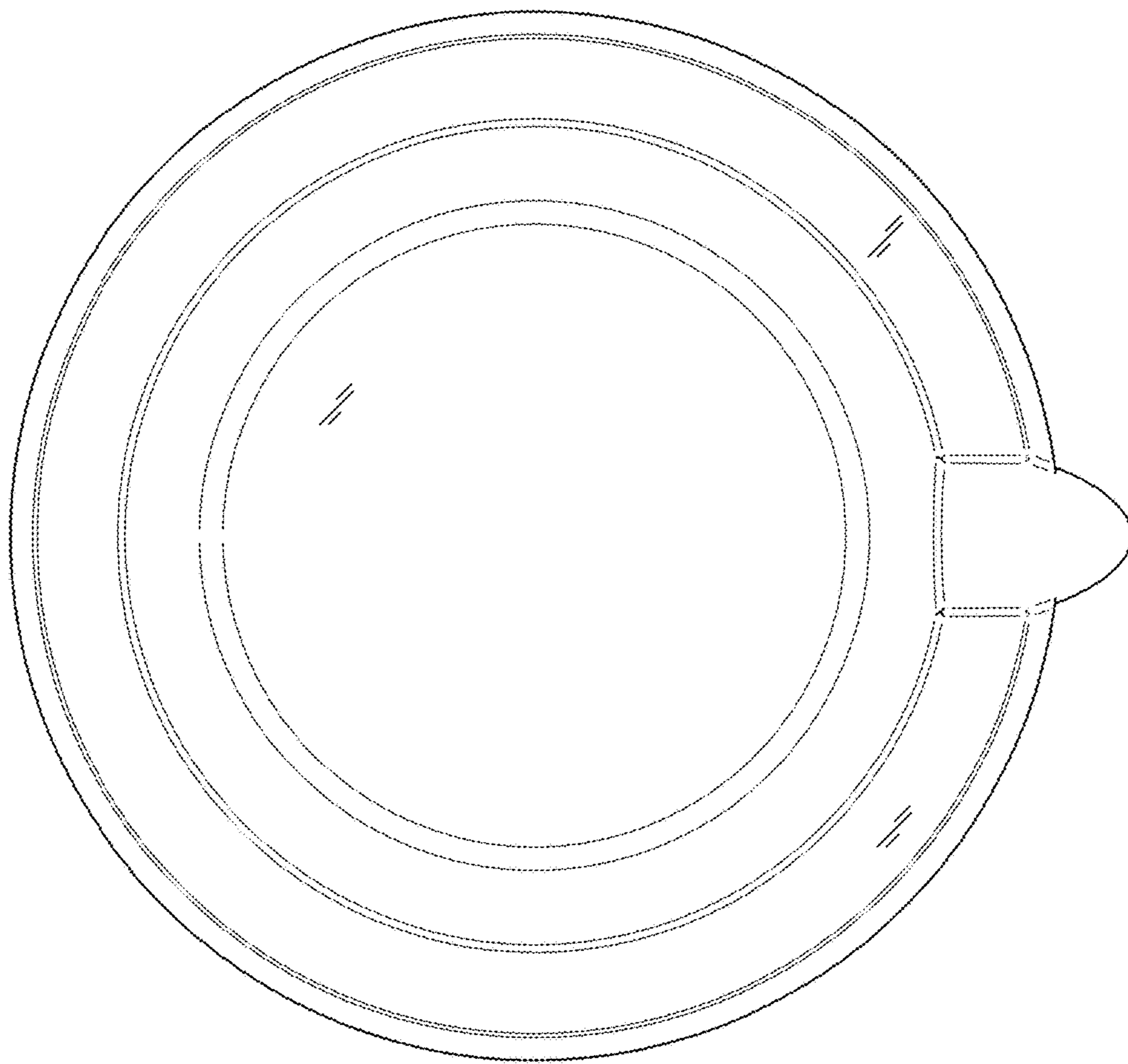


FIG. 6

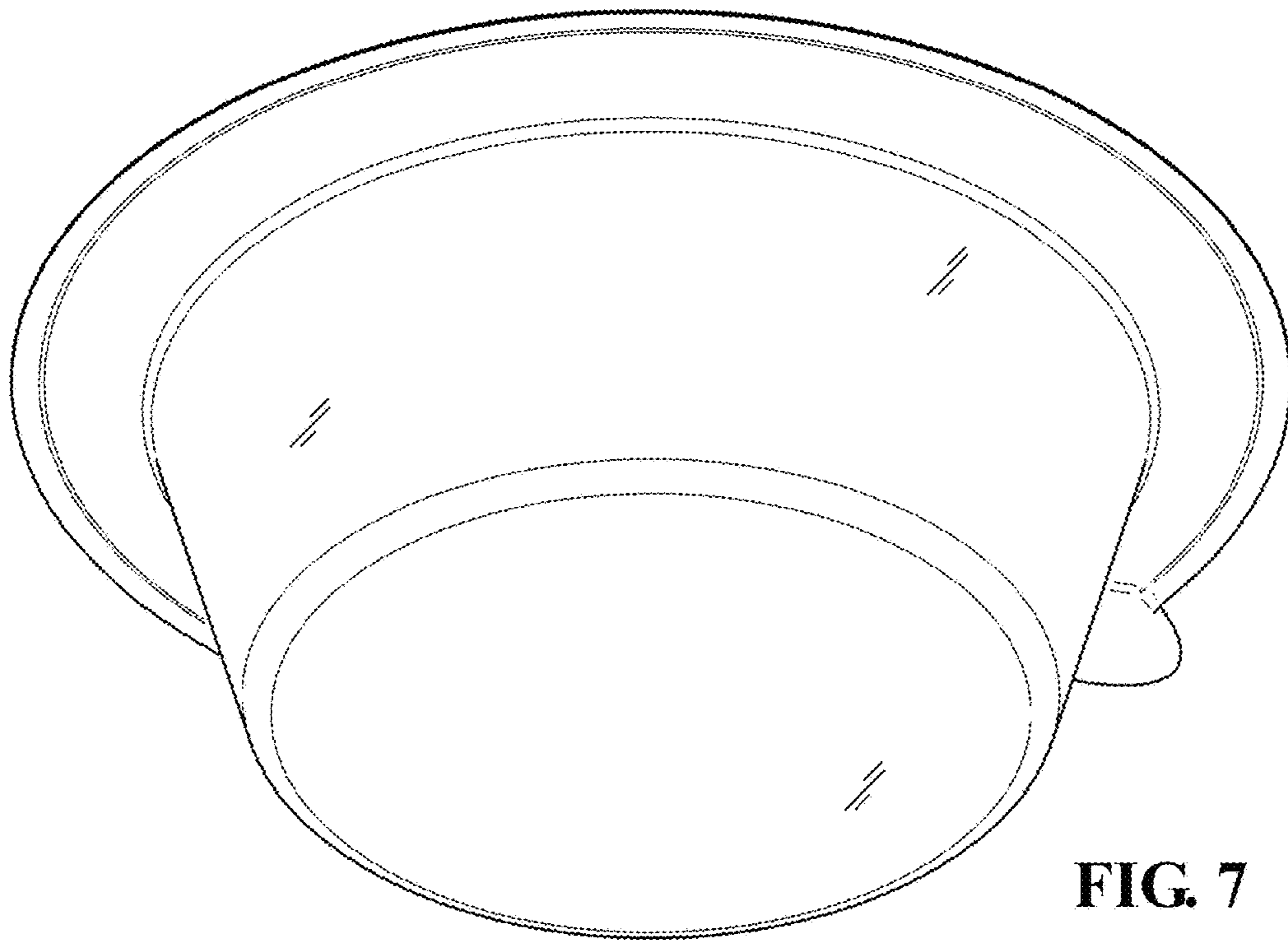


FIG. 7

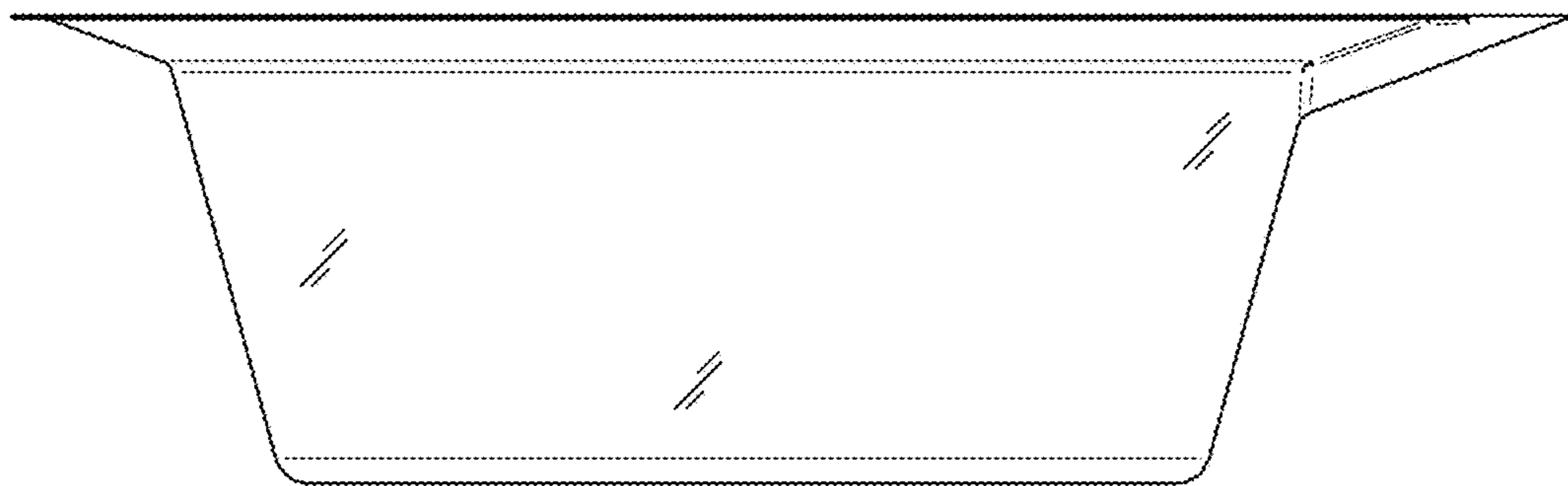


FIG. 8

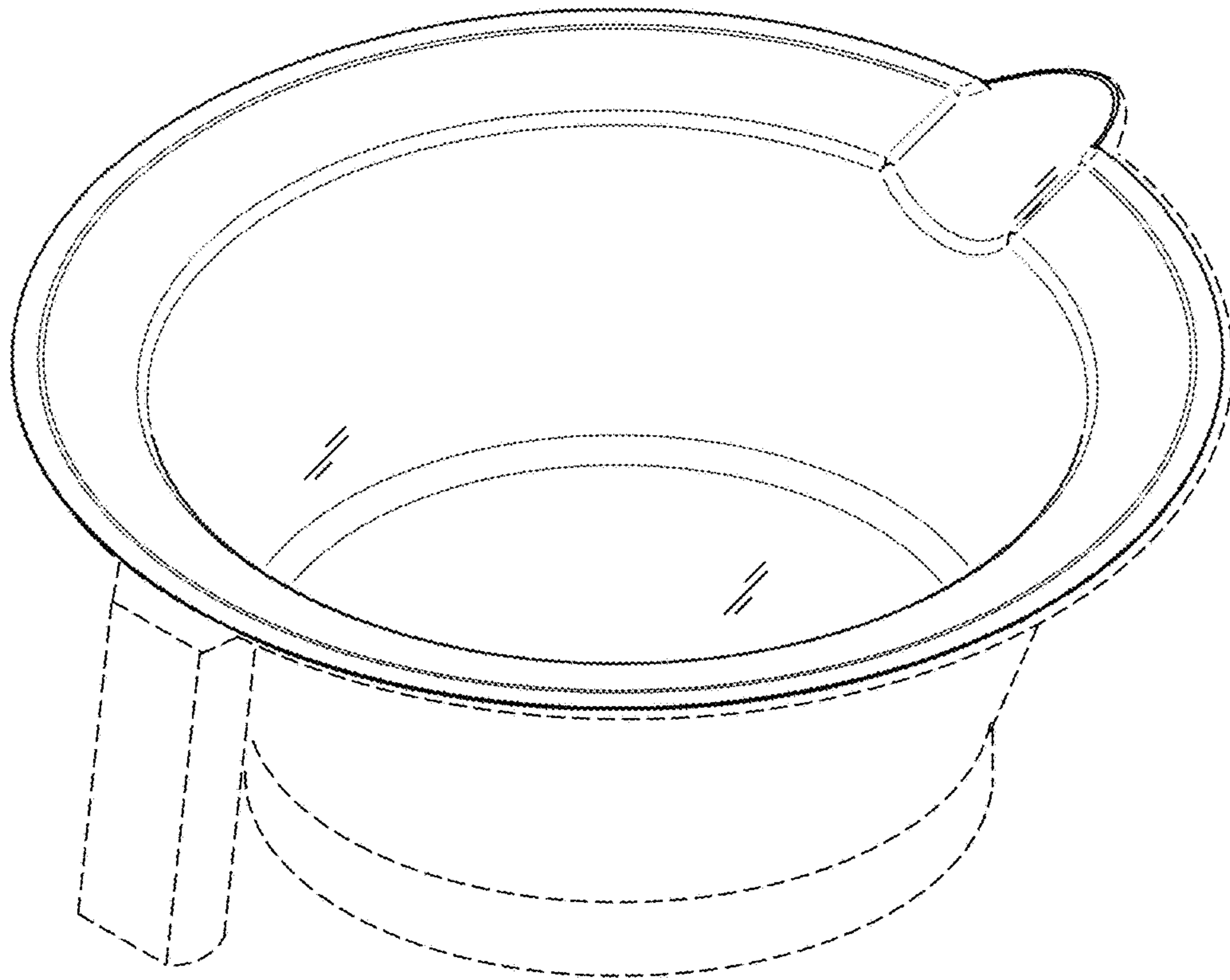


FIG. 9