



US00D815913S

(12) **United States Design Patent**  
**McLaughlin**

(10) **Patent No.:** **US D815,913 S**

(45) **Date of Patent:** **\*\* Apr. 24, 2018**

(54) **DRINKING VESSEL**

(71) Applicant: **Making Modern LLC**, Lyons, CO  
(US)

(72) Inventor: **Jon Reeves McLaughlin**, Lyons, CO  
(US)

(73) Assignee: **Making Modern LLC**, Lyons, CO  
(US)

(\*\*) Term: **15 Years**

(21) Appl. No.: **29/592,793**

(22) Filed: **Feb. 2, 2017**

(51) **LOC (11) Cl.** ..... **07-01**

(52) **U.S. Cl.**  
USPC ..... **D7/523; D7/505; D7/532**

(58) **Field of Classification Search**  
USPC ..... D7/505, 507, 509, 510, 511, 512, 151,  
D7/523, 532, 392.1, 396.2; 220/495.03,  
220/592.16, 592.17; D11/143, 144  
CPC ..... A47G 19/2272; A47G 19/2227; A47G  
19/22; A45F 3/20; A45F 3/16; B65D  
47/066; B65D 1/265  
See application file for complete search history.

(56) **References Cited**

**U.S. PATENT DOCUMENTS**

D113,508 S *	2/1939	Gross	.....	D7/507
D193,362 S *	8/1962	Groff	.....	D7/511
3,137,431 A *	6/1964	Crouse	.....	B65D 3/02 229/4.5
D282,232 S *	1/1986	Bussell	.....	D7/509
4,614,280 A *	9/1986	Wightman	.....	A47G 19/12 220/610
D288,766 S *	3/1987	Tardif	.....	D7/523
D314,689 S *	2/1991	Claudias	.....	D10/2
D331,173 S *	11/1992	Durand	.....	D7/507
D335,728 S *	5/1993	Dziersk	.....	D34/1
D340,385 S *	10/1993	Durand	.....	D7/509

D382,446 S *	8/1997	Bacon	.....	D7/509
D399,392 S *	10/1998	Husted	.....	D7/510
D410,124 S *	5/1999	Nilsson	.....	D34/1
D424,378 S *	5/2000	Bacon	.....	D7/602
D441,609 S *	5/2001	Hsu	.....	D7/523

(Continued)

*Primary Examiner* — Marianne Pandozzi

*Assistant Examiner* — Jae Liang

(74) *Attorney, Agent, or Firm* — Lathrop Gage LLP

(57) **CLAIM**

The ornamental design for a drinking vessel, as shown and described.

**DESCRIPTION**

FIG. 1 is a top perspective view of a first embodiment of a drinking vessel showing my new design;

FIG. 2 is a top perspective view of a second embodiment of a drinking vessel;

FIG. 3 is a top perspective view of a third embodiment of a drinking vessel;

FIG. 4 is a top perspective view of a fourth embodiment of a drinking vessel;

FIG. 5 is a side elevational view of FIG. 1;

FIG. 6 is a side elevational view of FIG. 2;

FIG. 7 is a side elevational view of FIG. 3;

FIG. 8 is a side elevational view of FIG. 4;

FIG. 9 is a top plan view of FIG. 1;

FIG. 10 is a top plan view of FIG. 2;

FIG. 11 is a top plan view of FIG. 3;

FIG. 12 is a top plan view of FIG. 4;

FIG. 13 is a bottom plan view of FIG. 1;

FIG. 14 is a bottom plan view of FIG. 2;

FIG. 15 is a bottom plan view of FIG. 3;

FIG. 16 is a bottom plan view of FIG. 4;

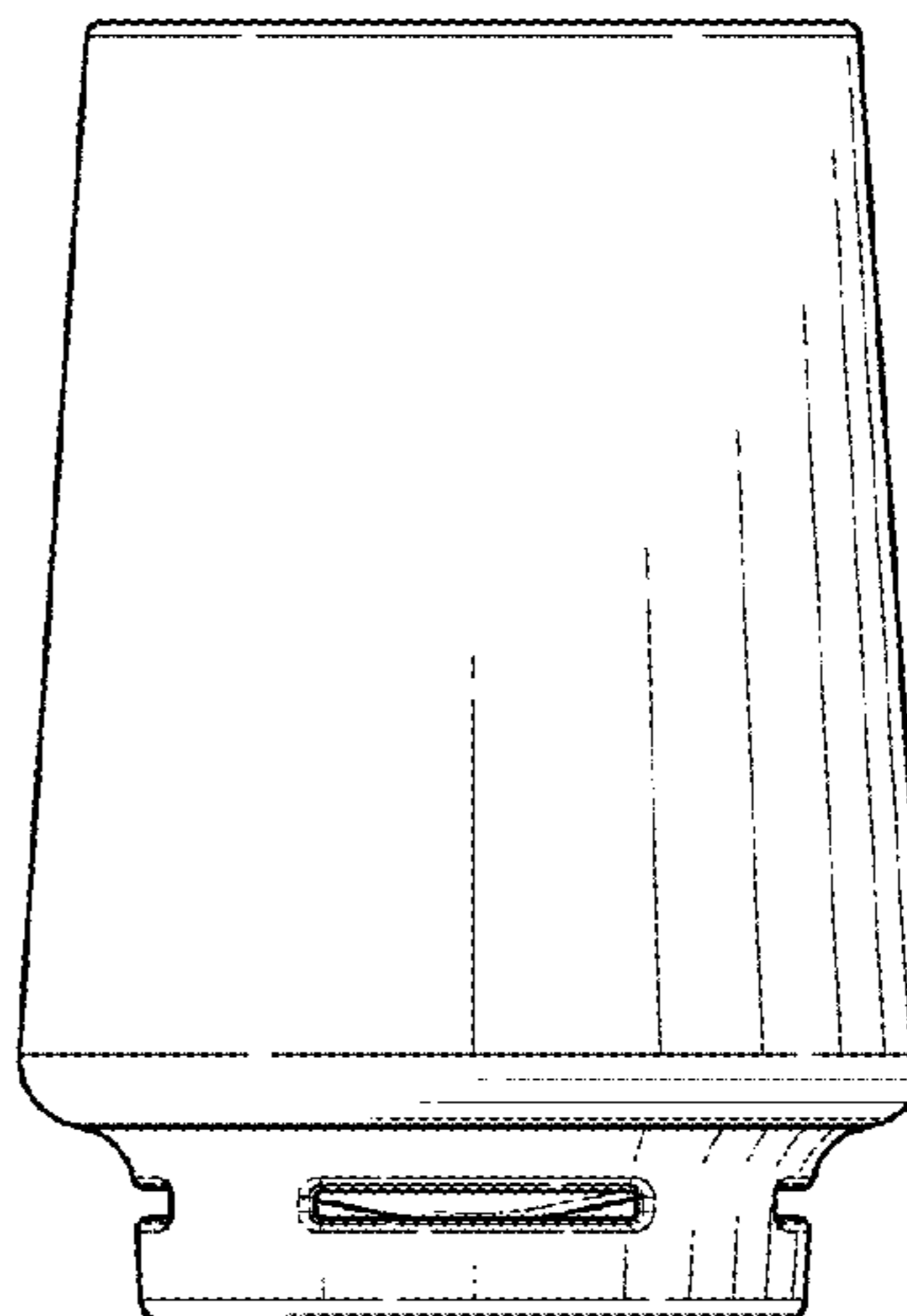
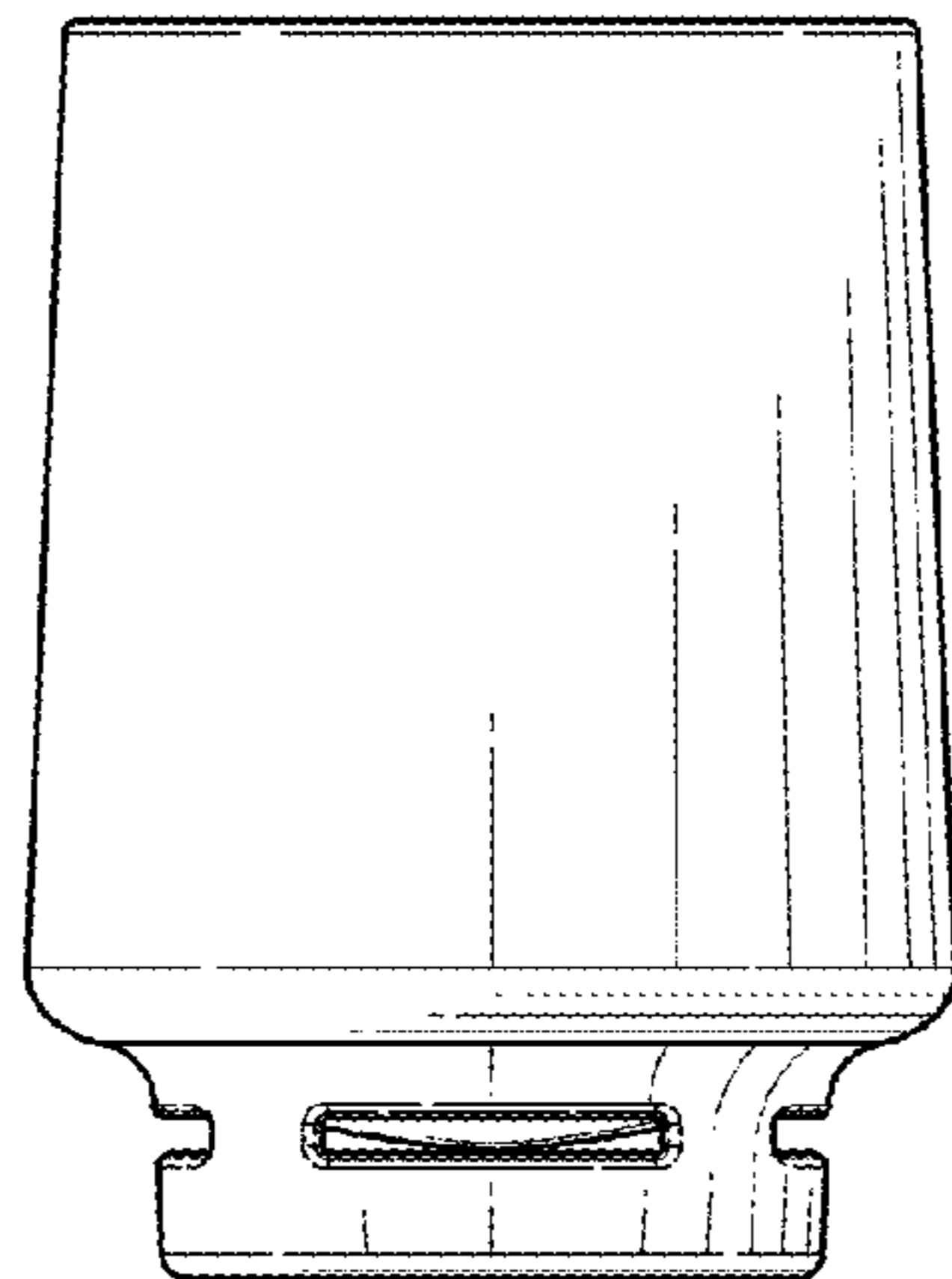
FIG. 17 is a bottom perspective view of FIG. 1;

FIG. 18 is a bottom perspective view of FIG. 2;

FIG. 19 is a bottom perspective view of FIG. 3; and,

FIG. 20 is a bottom perspective view of FIG. 4.

**1 Claim, 4 Drawing Sheets**



(56)

## References Cited

## U.S. PATENT DOCUMENTS

D442,861 S \* 5/2001 Sagel ..... D9/430  
D462,293 S \* 9/2002 Bates ..... D11/143  
D462,294 S \* 9/2002 Walsh ..... D11/143  
D498,979 S \* 11/2004 Bhavnani ..... D7/510  
D508,372 S \* 8/2005 Martinez-Lopez ..... D7/509  
D533,402 S \* 12/2006 Bin ..... D7/510  
D536,148 S \* 1/2007 Schiefer ..... D34/1  
D556,054 S \* 11/2007 Stephens ..... D9/734  
D557,074 S \* 12/2007 Bardolet ..... D7/509  
D558,444 S \* 1/2008 Ma ..... D3/6  
D559,433 S \* 1/2008 Mackey ..... D26/128  
D568,104 S \* 5/2008 Bhavnani ..... D7/509  
D574,190 S \* 8/2008 Homma ..... D7/510  
D574,192 S \* 8/2008 Schosser ..... D7/509  
D578,927 S \* 10/2008 Brandstatter ..... D11/146  
D583,624 S \* 12/2008 Silvers ..... D7/396.2  
D586,622 S \* 2/2009 Silvers ..... D7/509  
D587,527 S \* 3/2009 Wolhendler ..... D7/509  
D622,548 S \* 8/2010 Jensen ..... D7/509  
D651,248 S \* 12/2011 Yuan ..... D19/85  
D659,586 S \* 5/2012 Brandstatter ..... D11/155  
D663,163 S \* 7/2012 Dick ..... D7/507  
D667,151 S \* 9/2012 Arslanian ..... D26/9  
D673,812 S \* 1/2013 Hauser ..... D7/523  
D679,545 S \* 4/2013 Wolhendler ..... D7/510  
D705,608 S \* 5/2014 Wolhendler ..... D7/509  
D708,481 S \* 7/2014 Lin ..... D7/523  
2006/0124651 A1 \* 6/2006 Bhavnani ..... A47J 41/0016  
220/592.17

\* cited by examiner

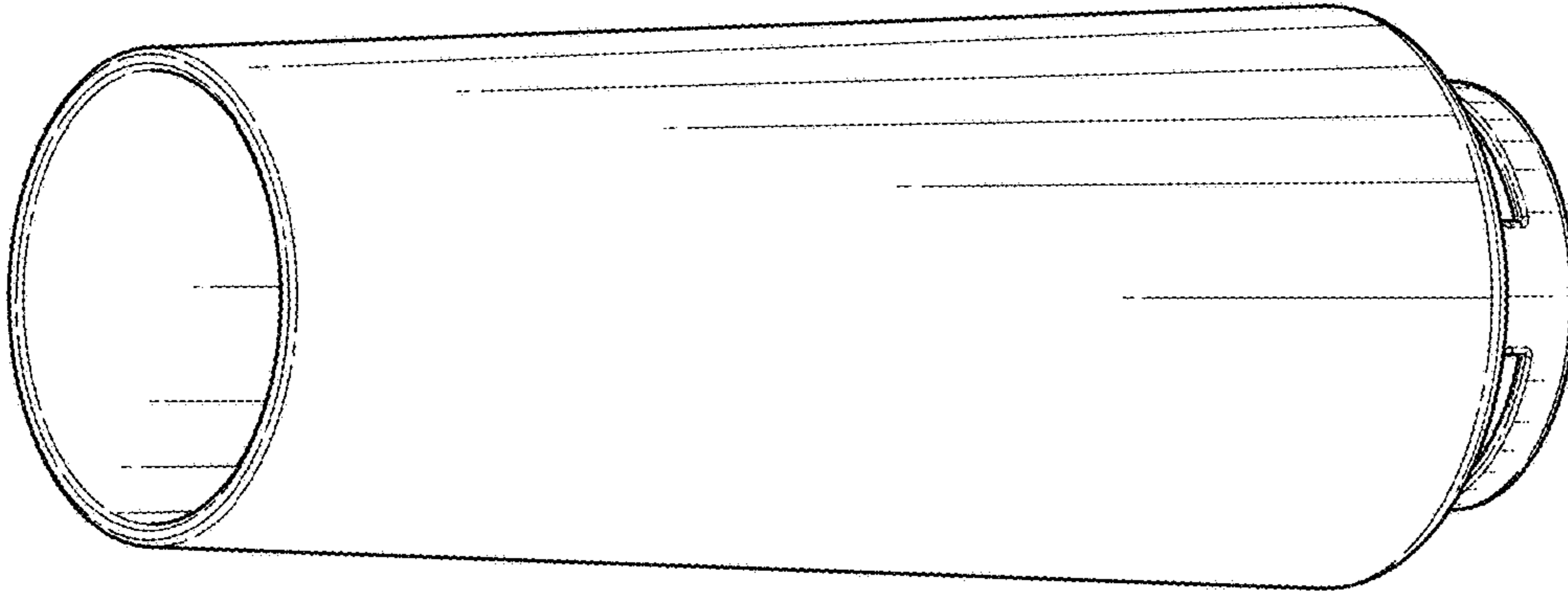


FIG. 1

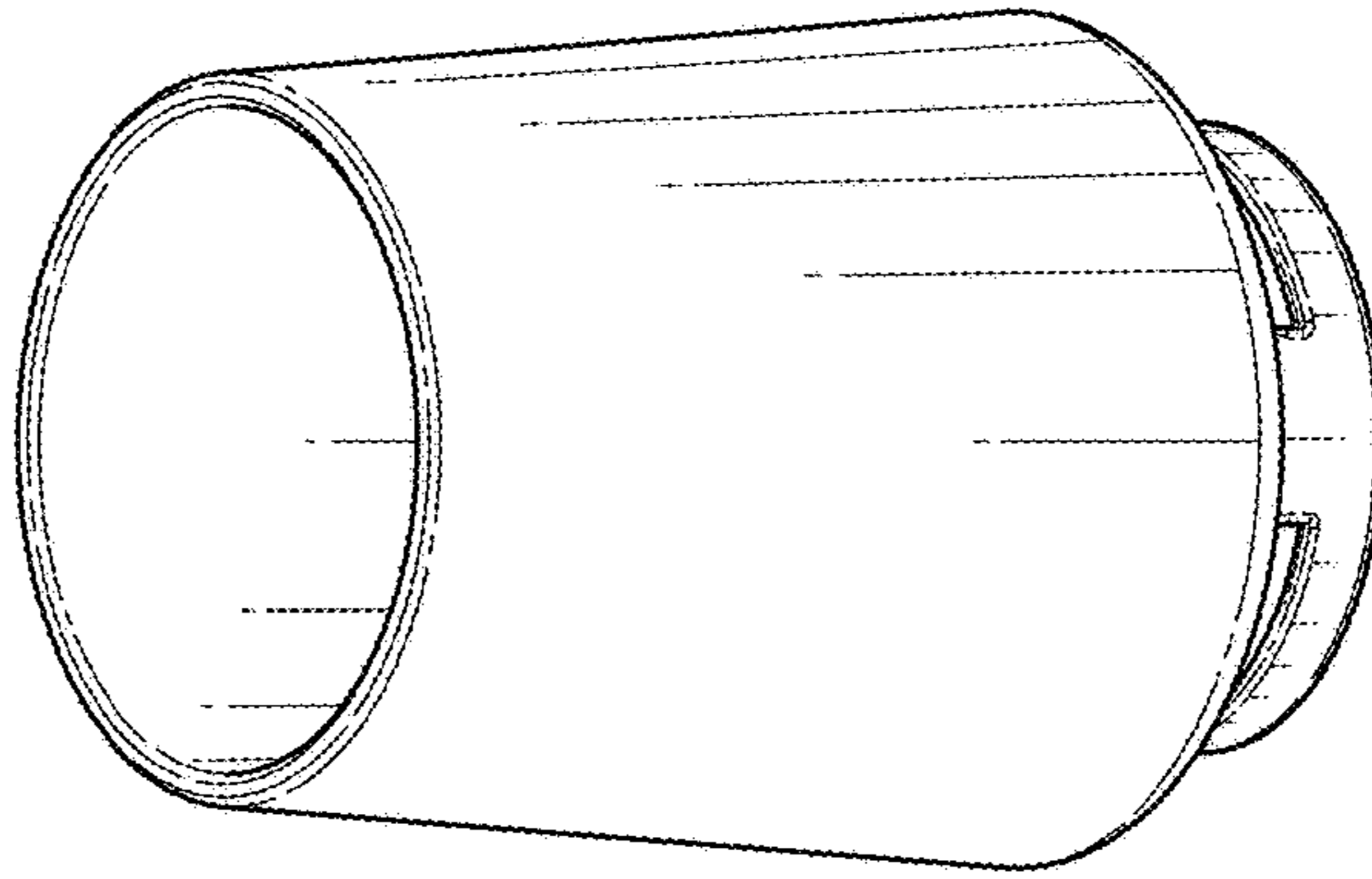


FIG. 2

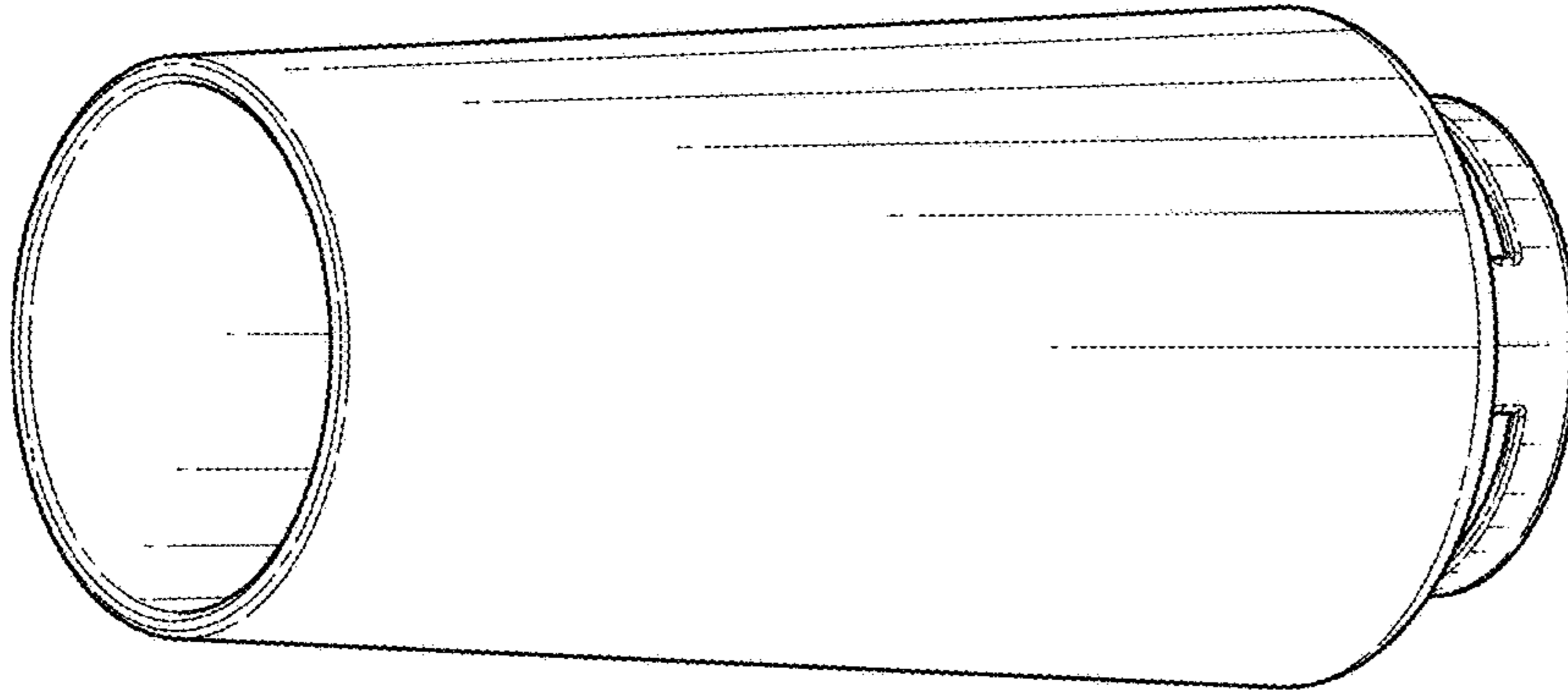


FIG. 3

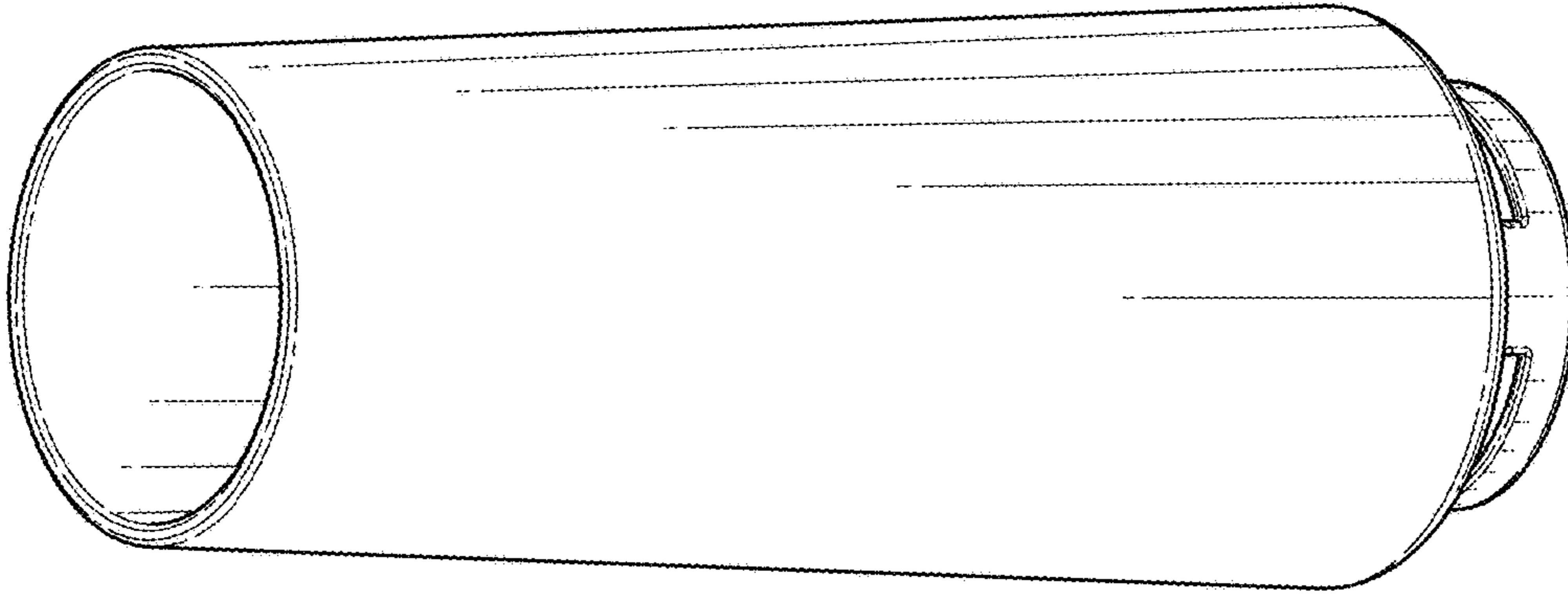


FIG. 4

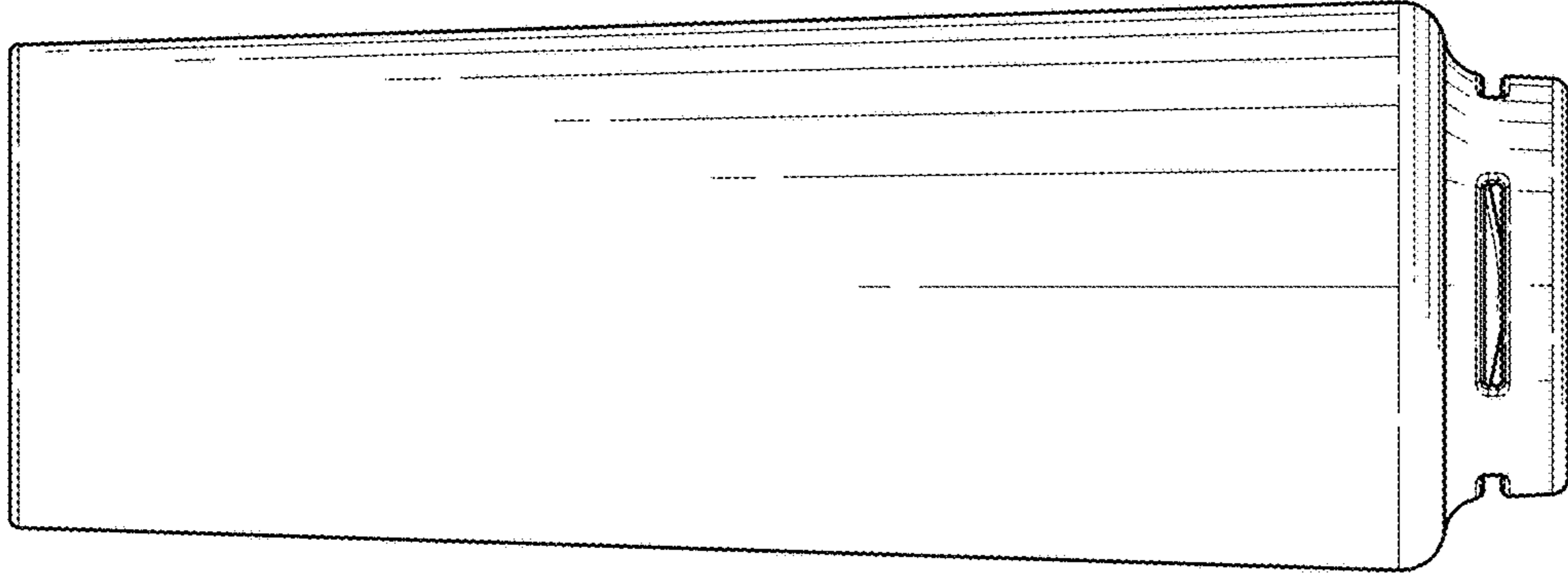


FIG. 8

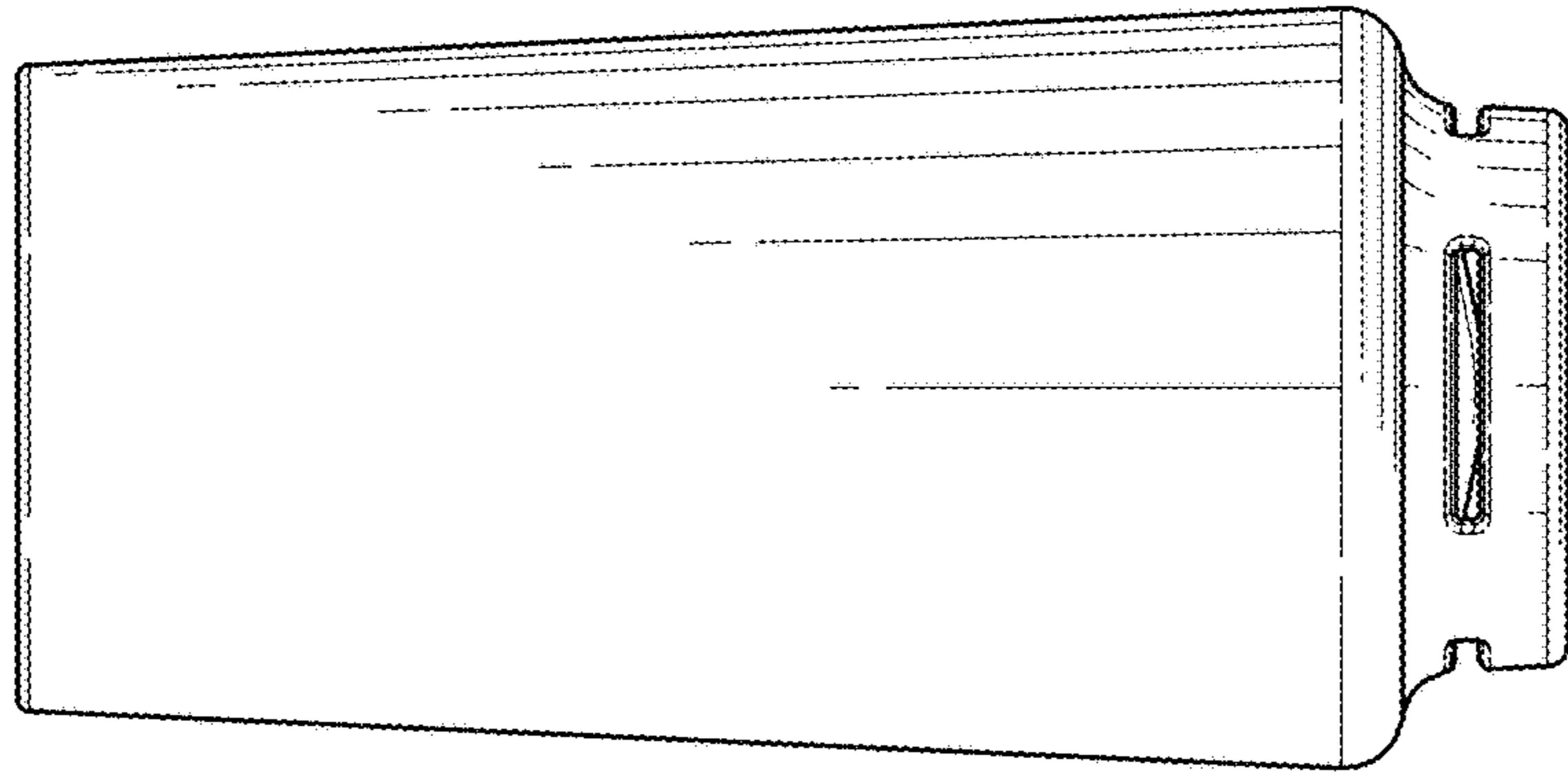


FIG. 7

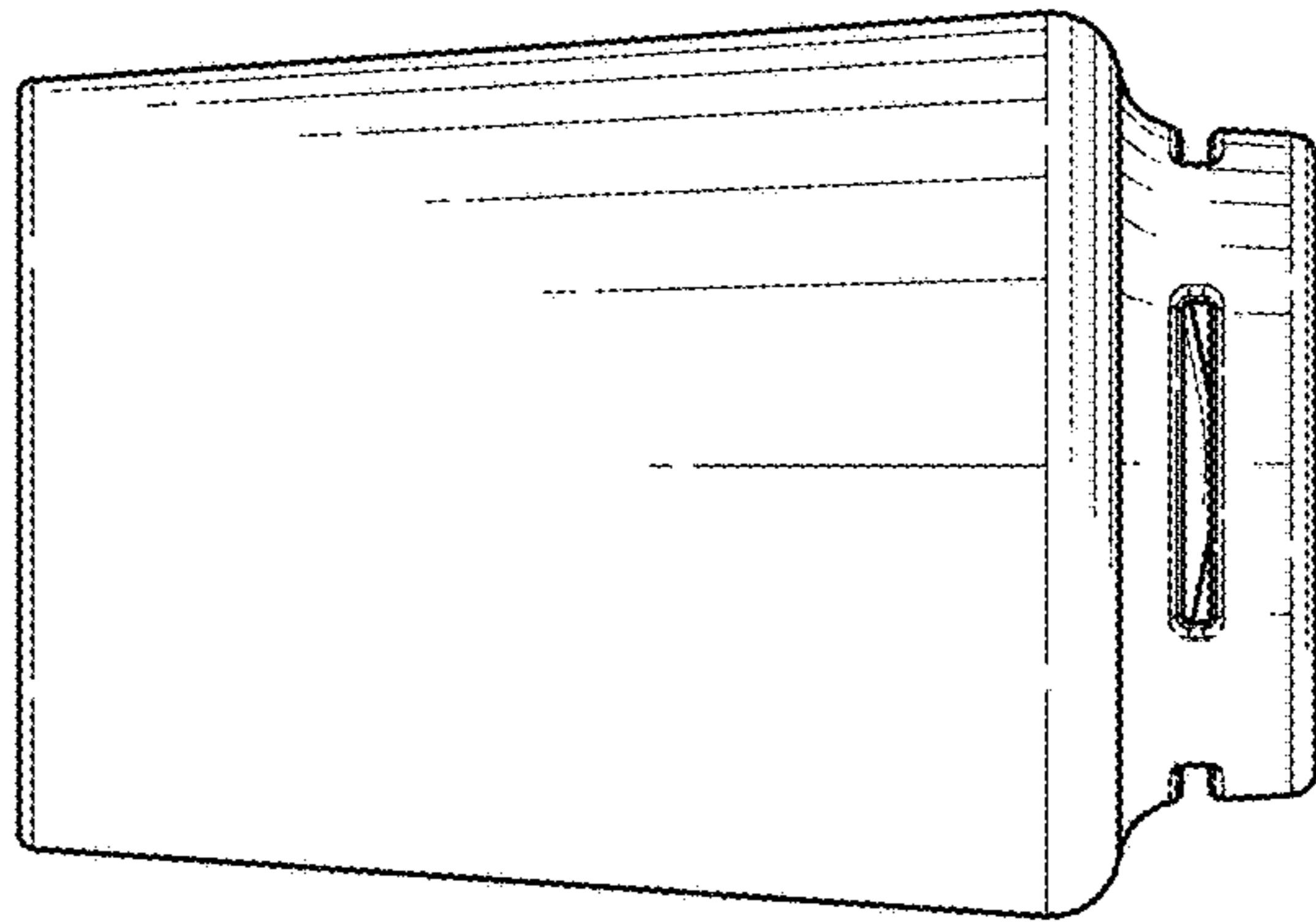


FIG. 6

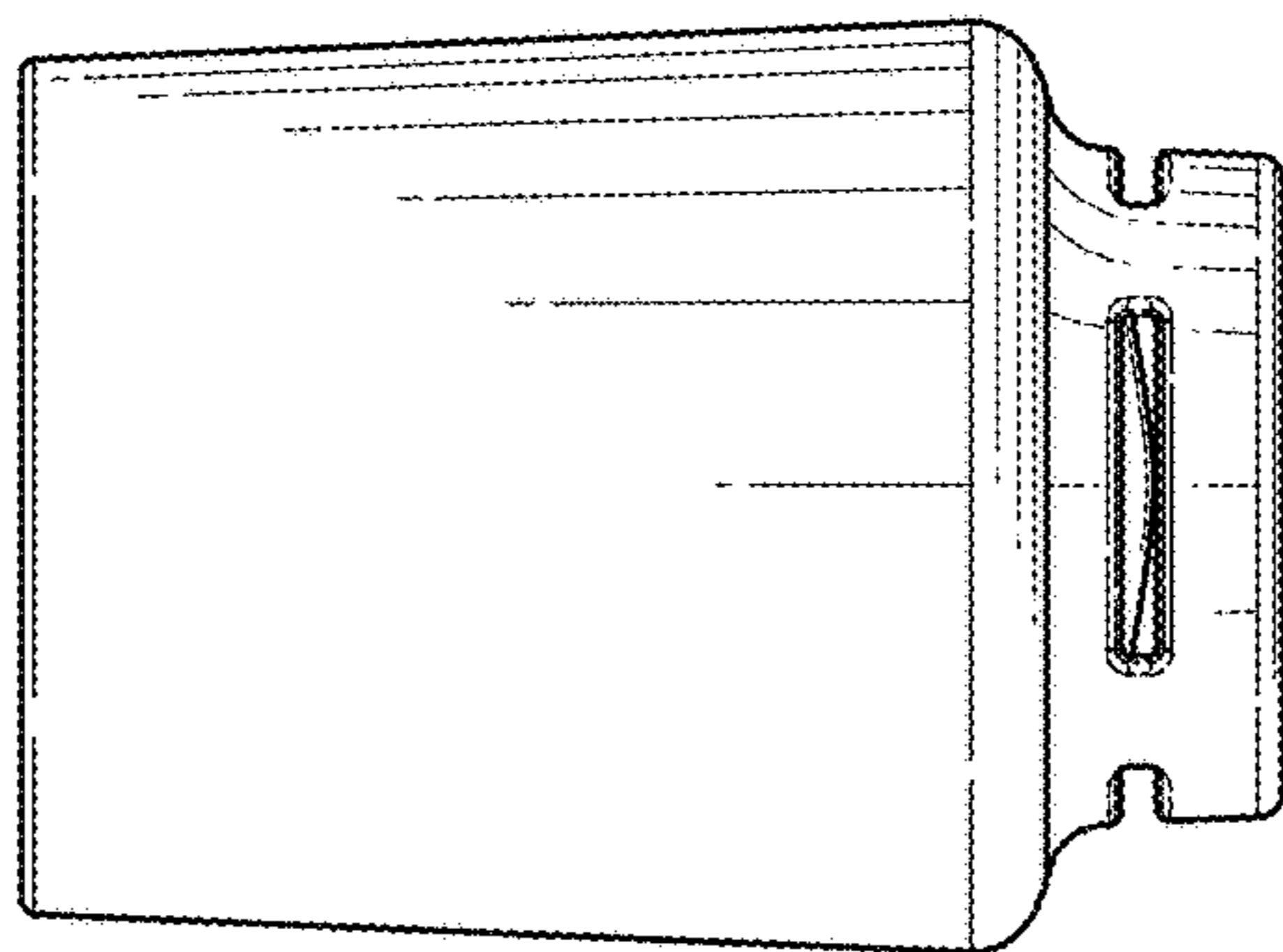


FIG. 5

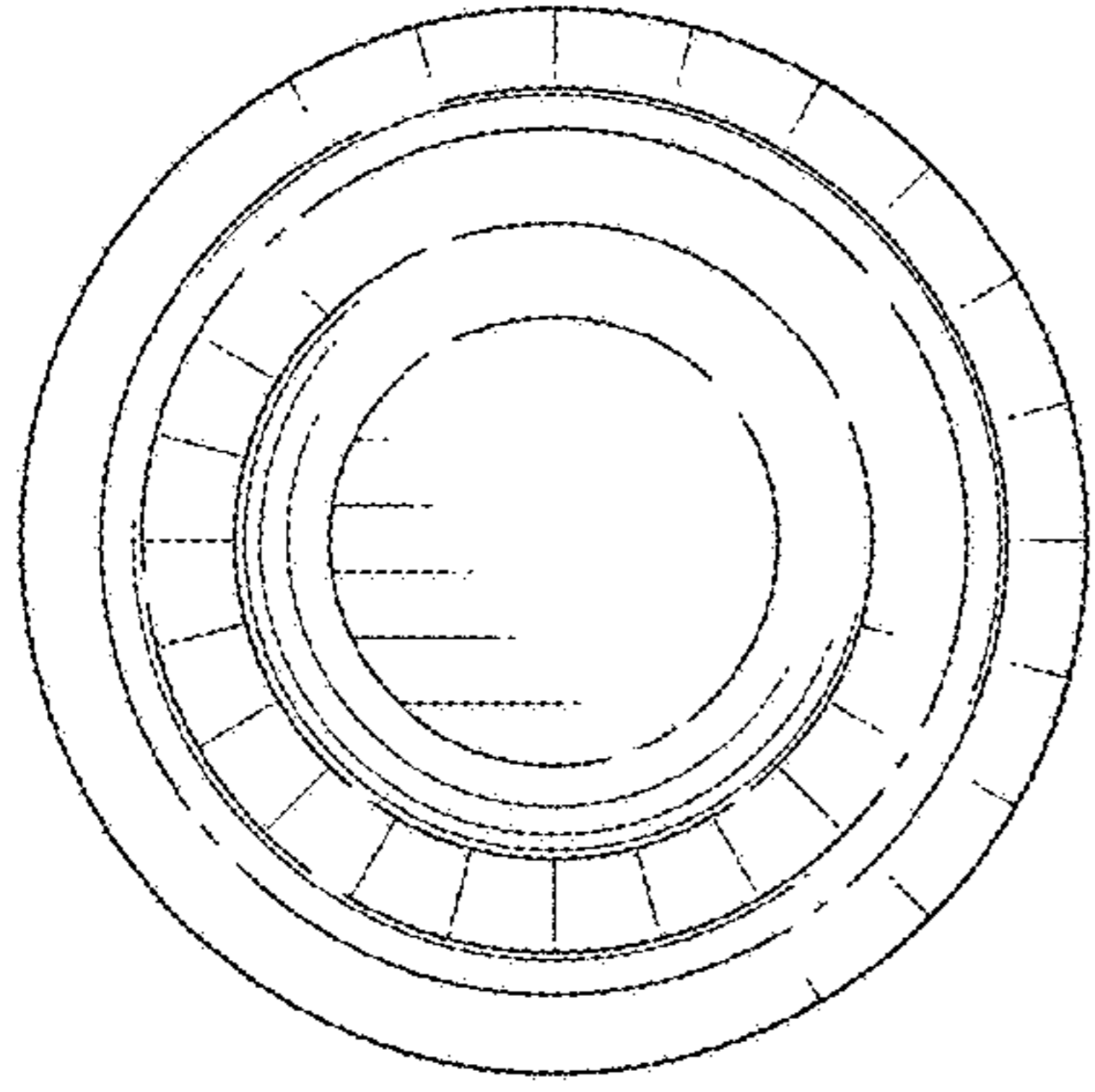


FIG. 9

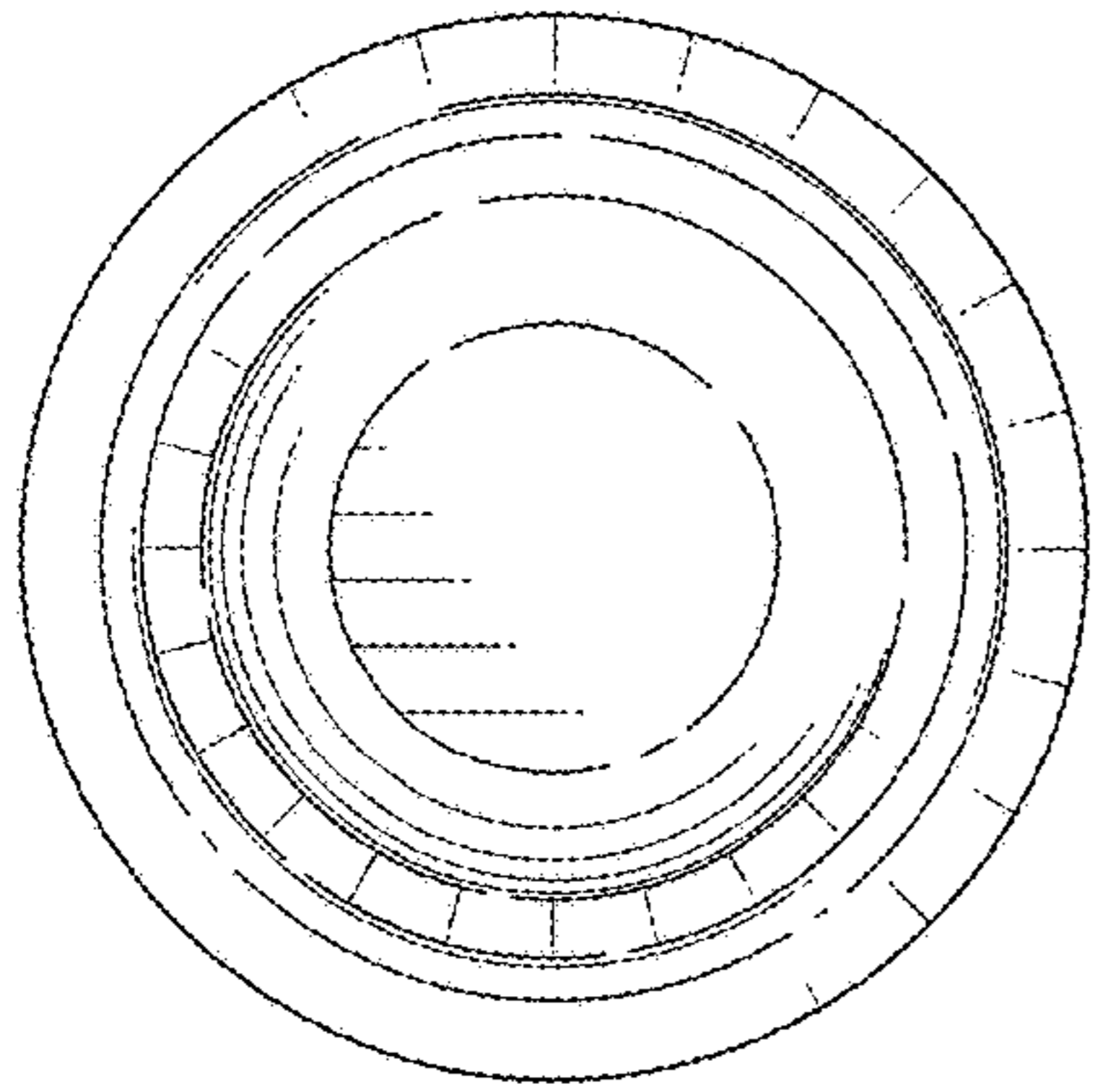


FIG. 10

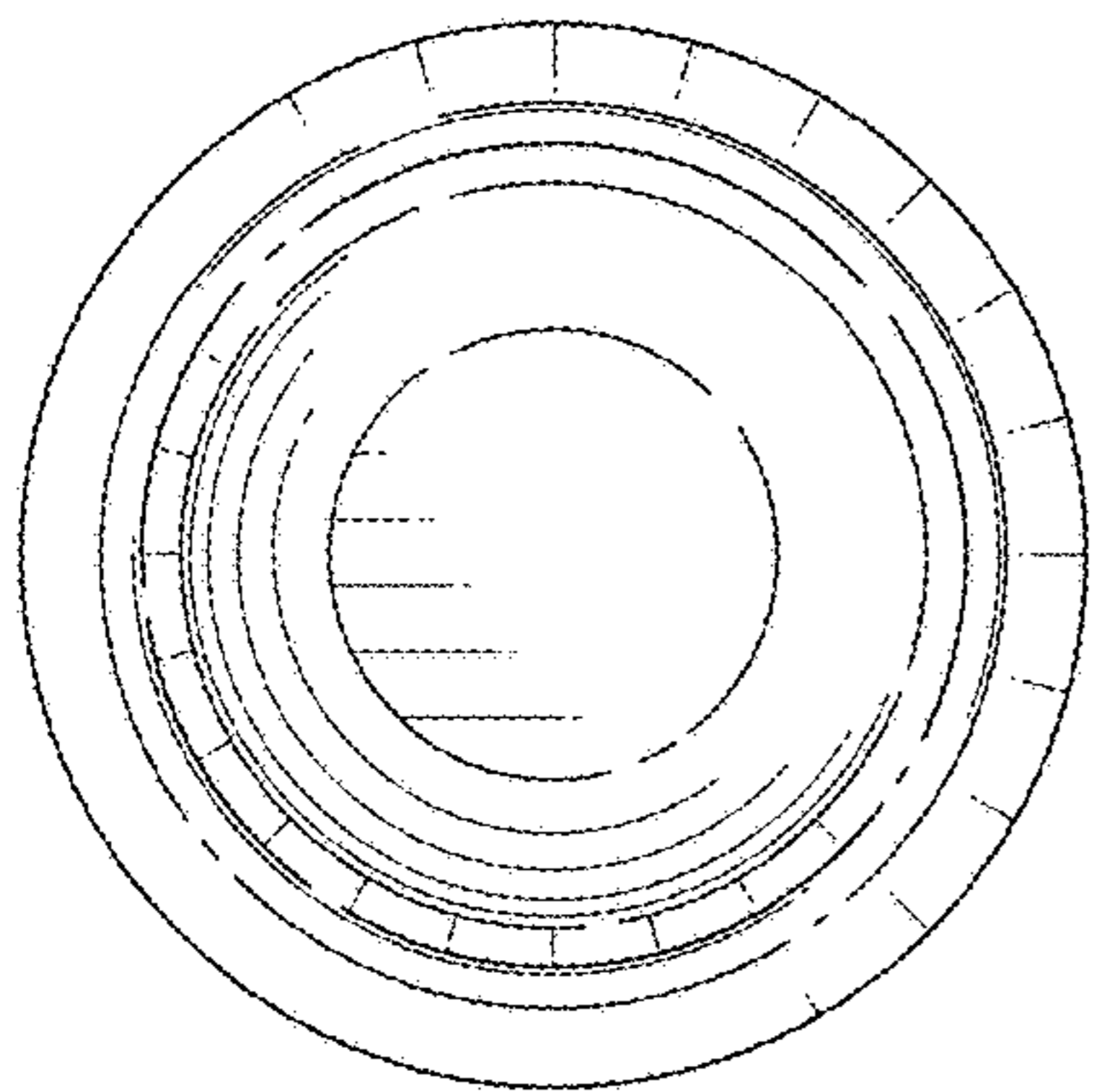


FIG. 11

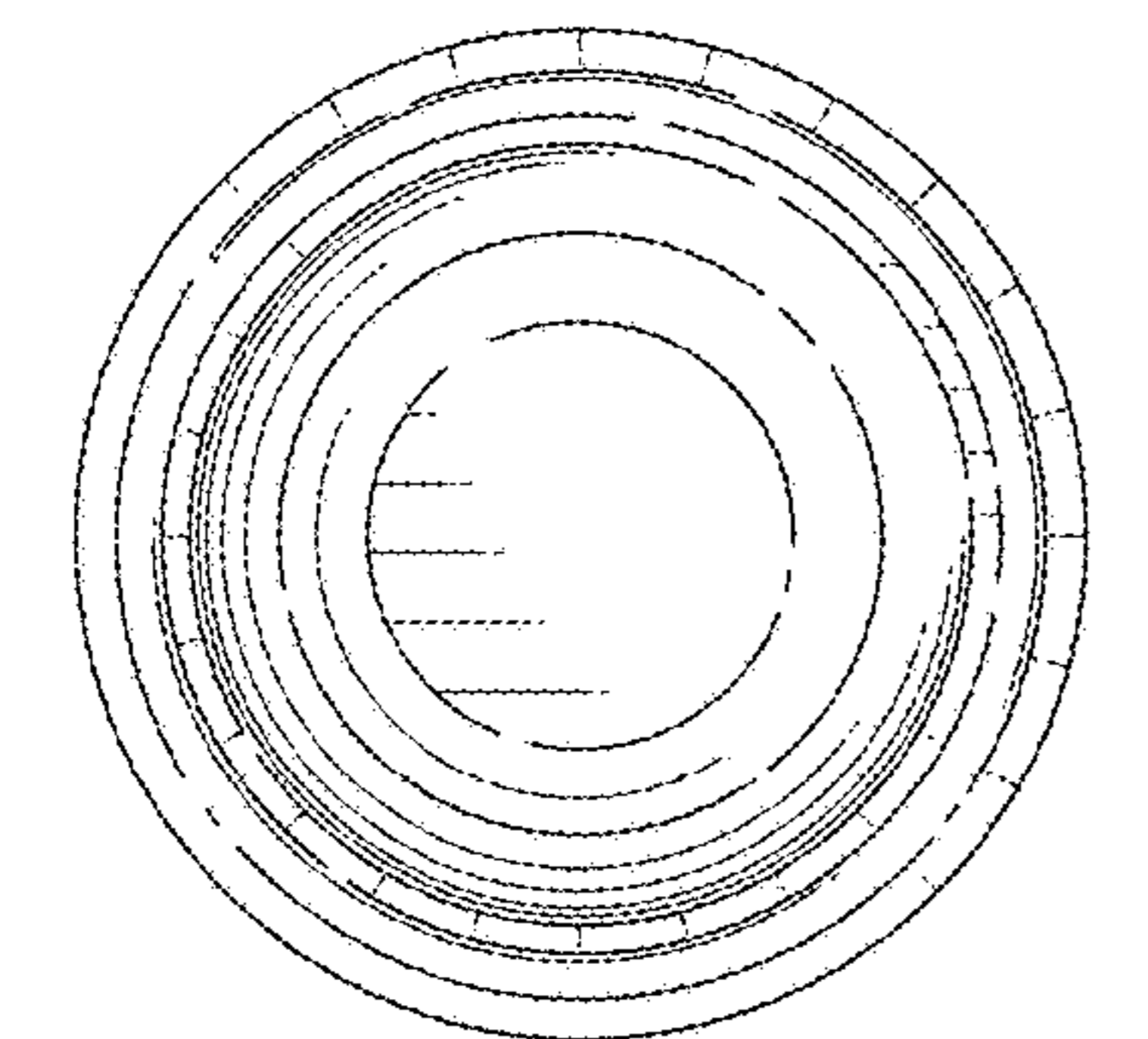


FIG. 12

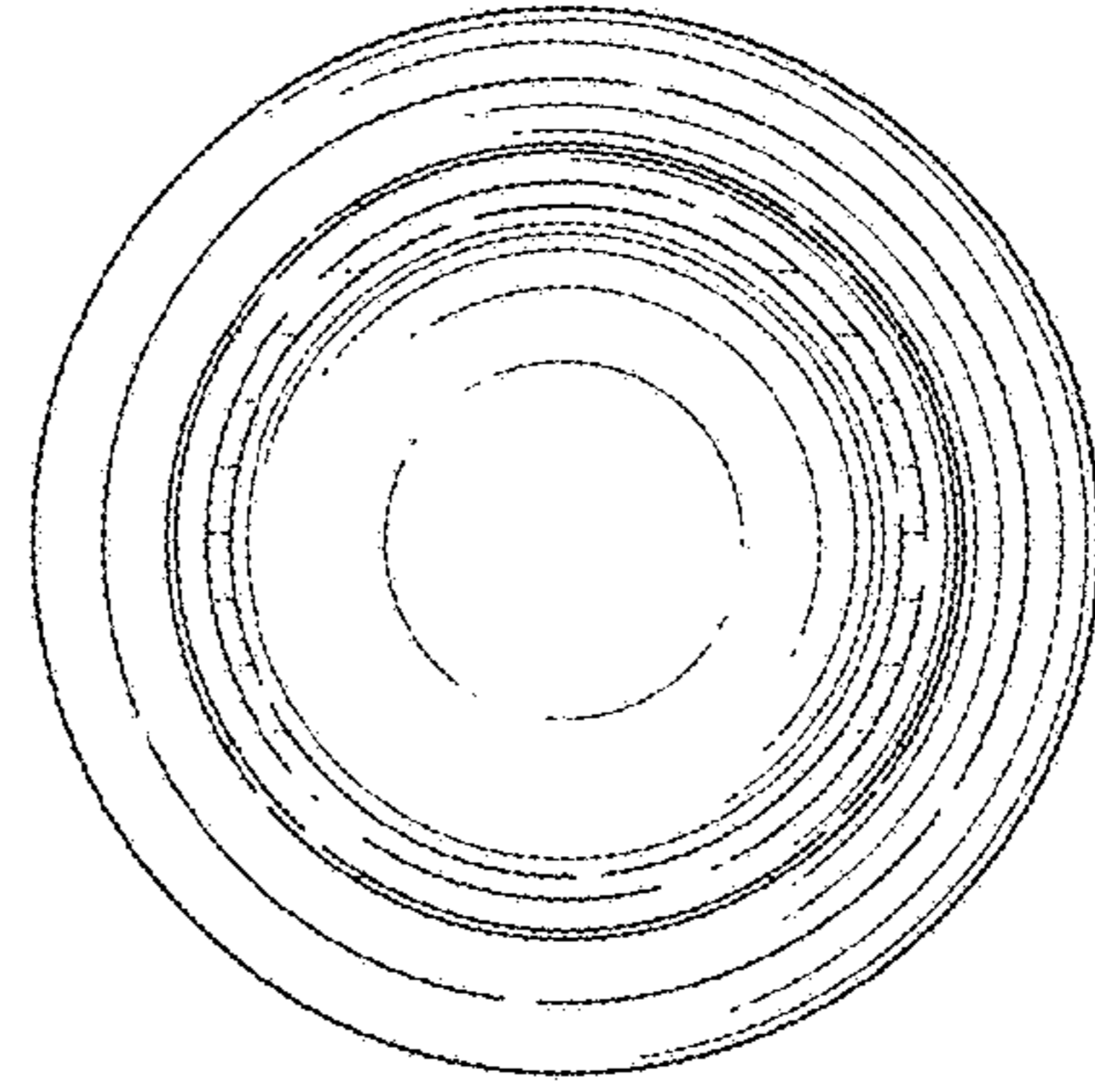


FIG. 13

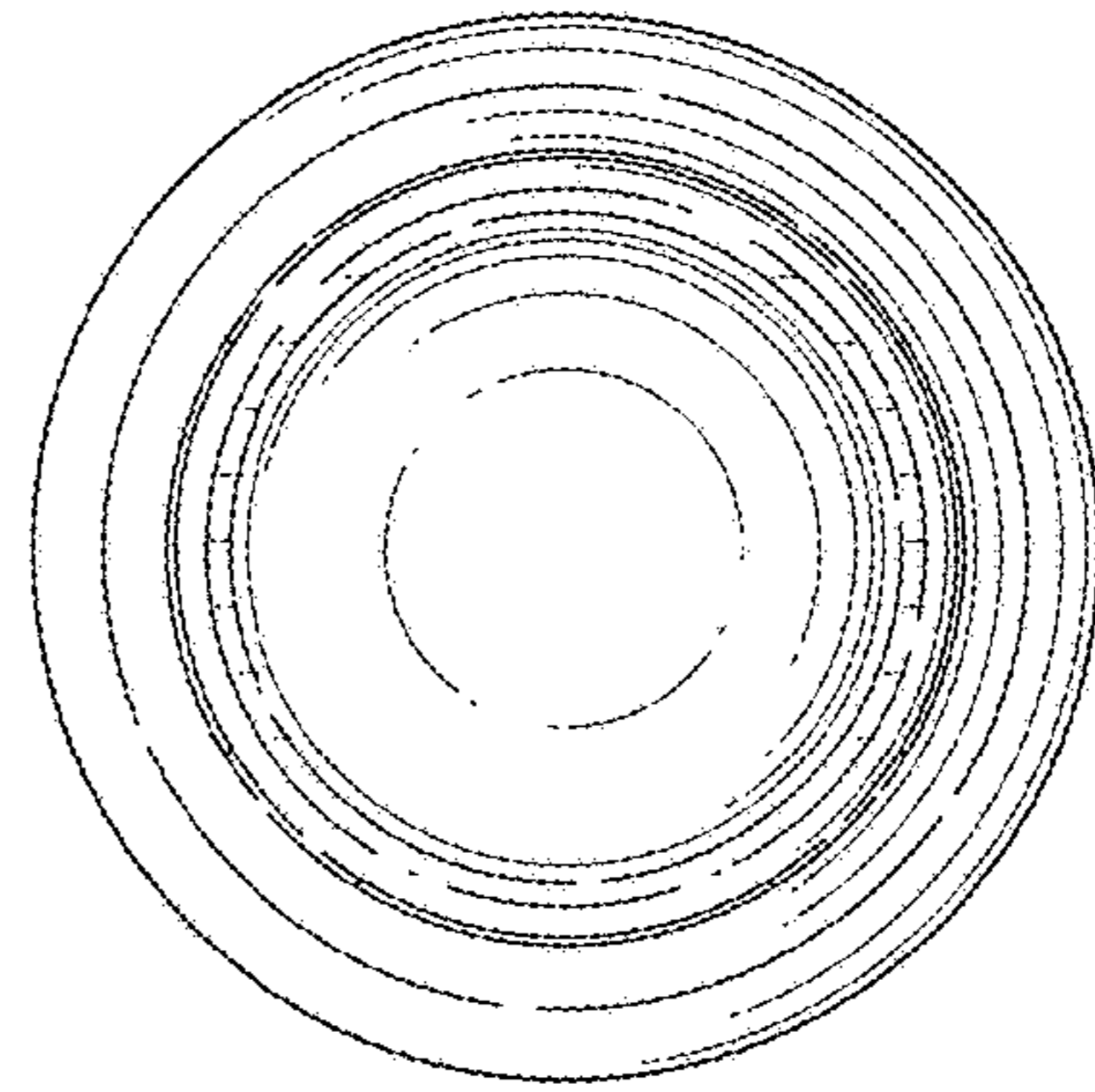


FIG. 14

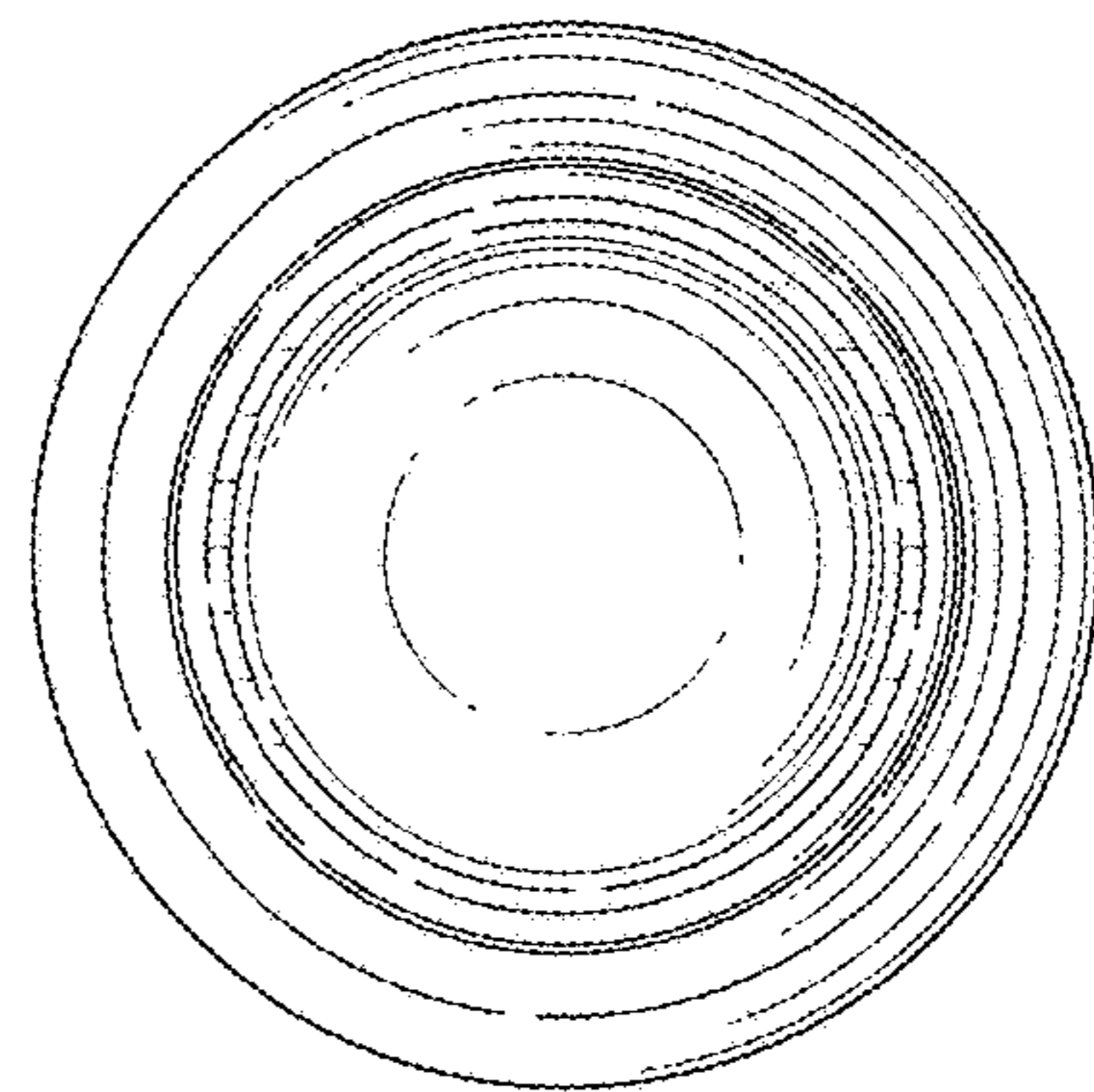


FIG. 15

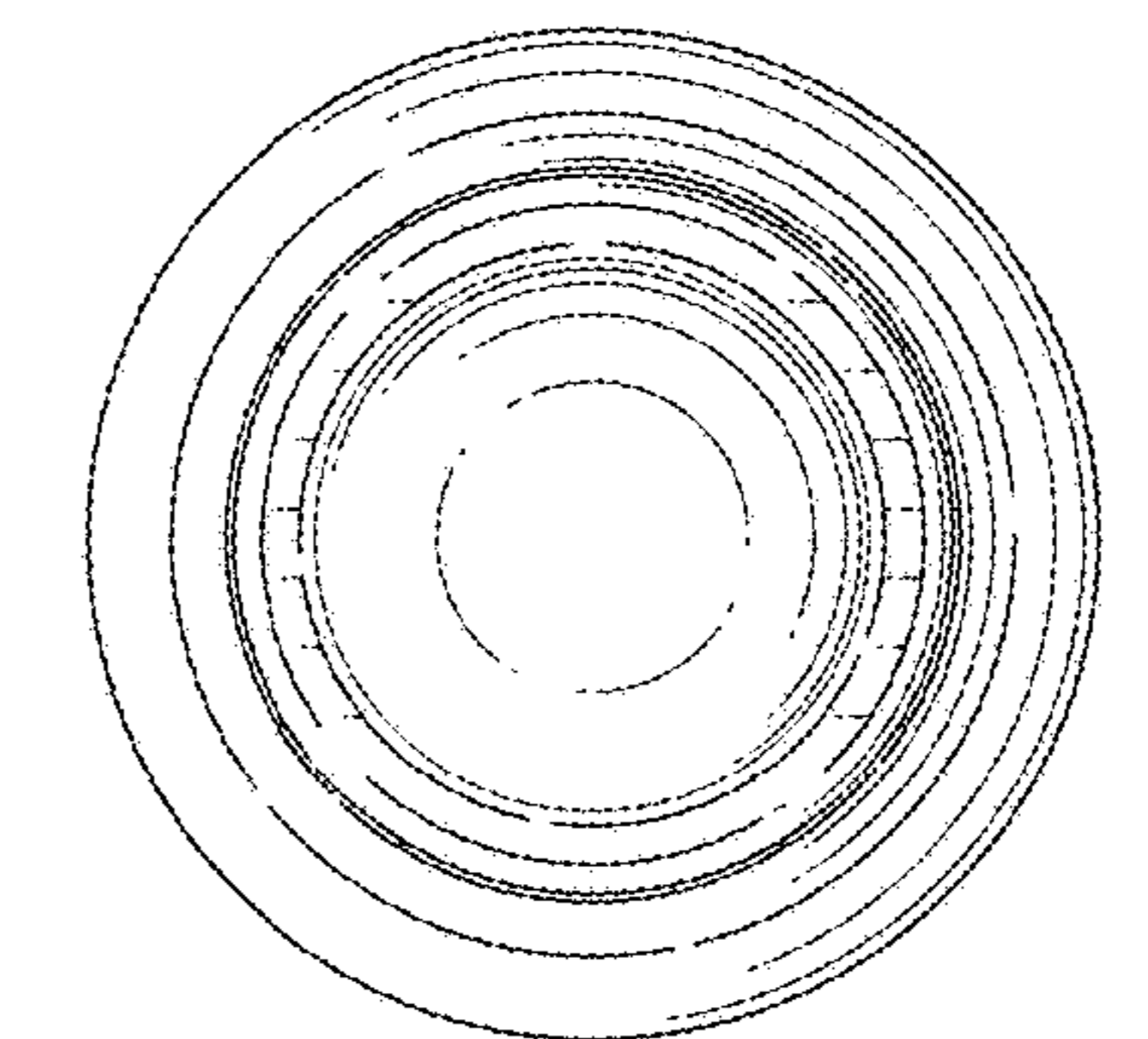


FIG. 16

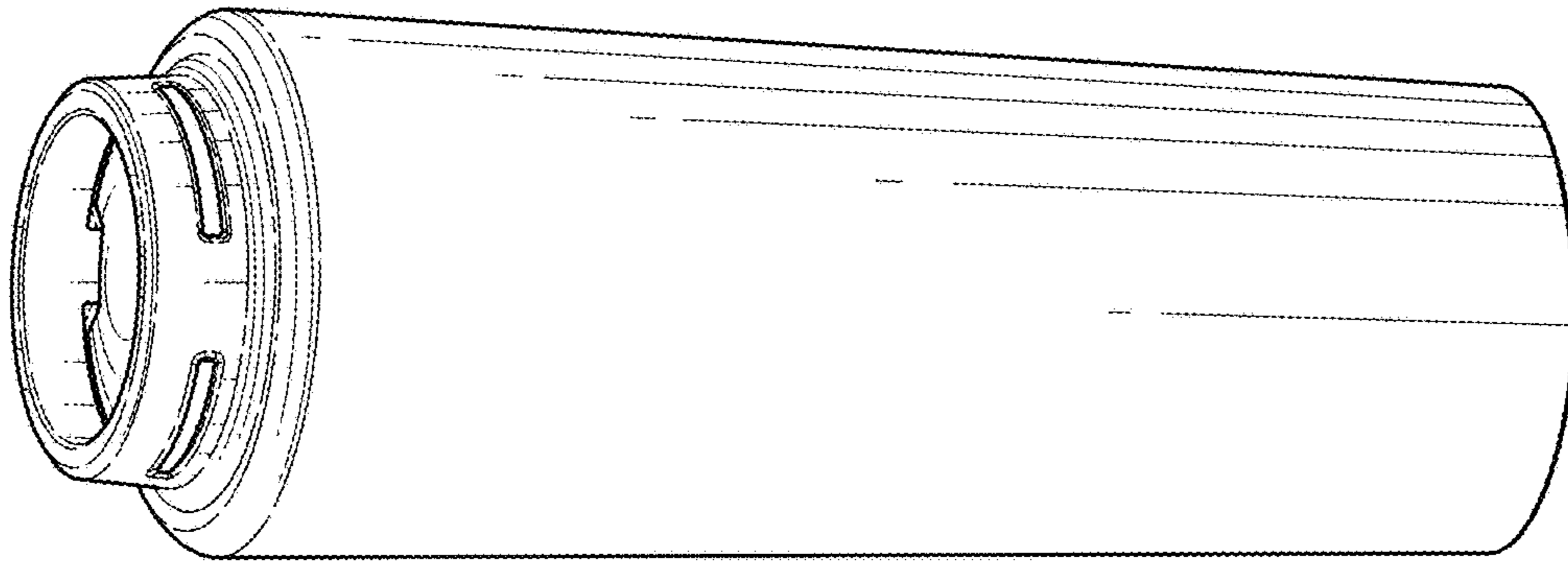


FIG. 20

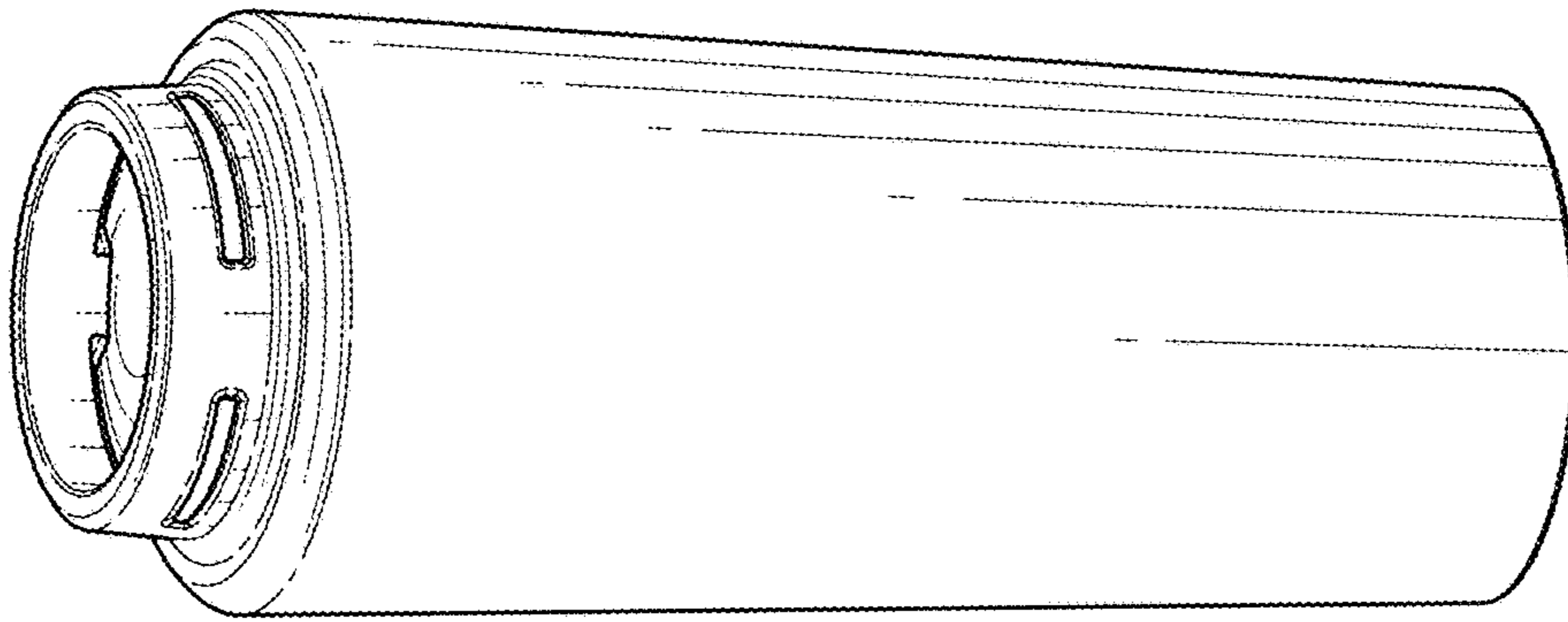


FIG. 19

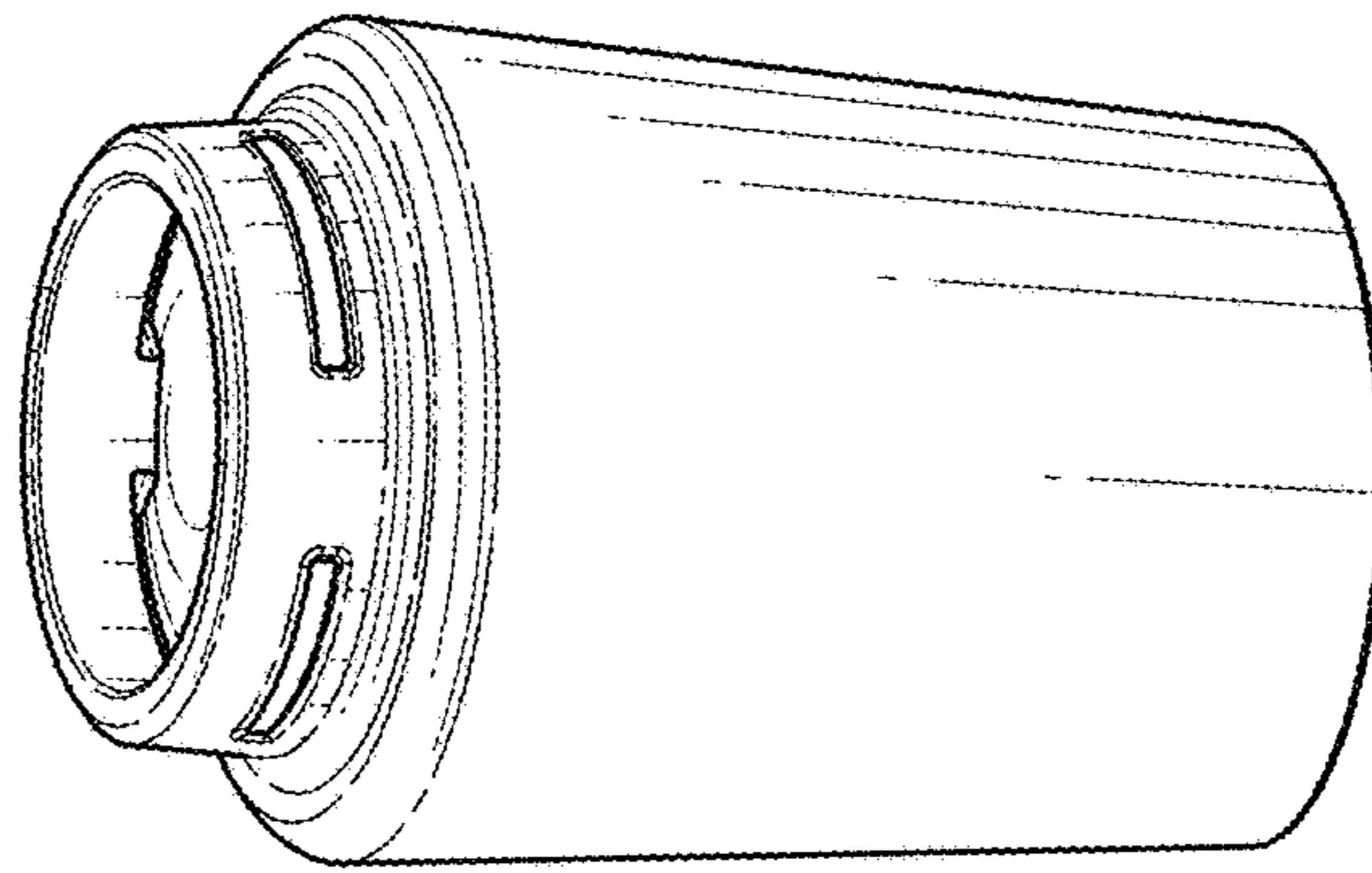


FIG. 18

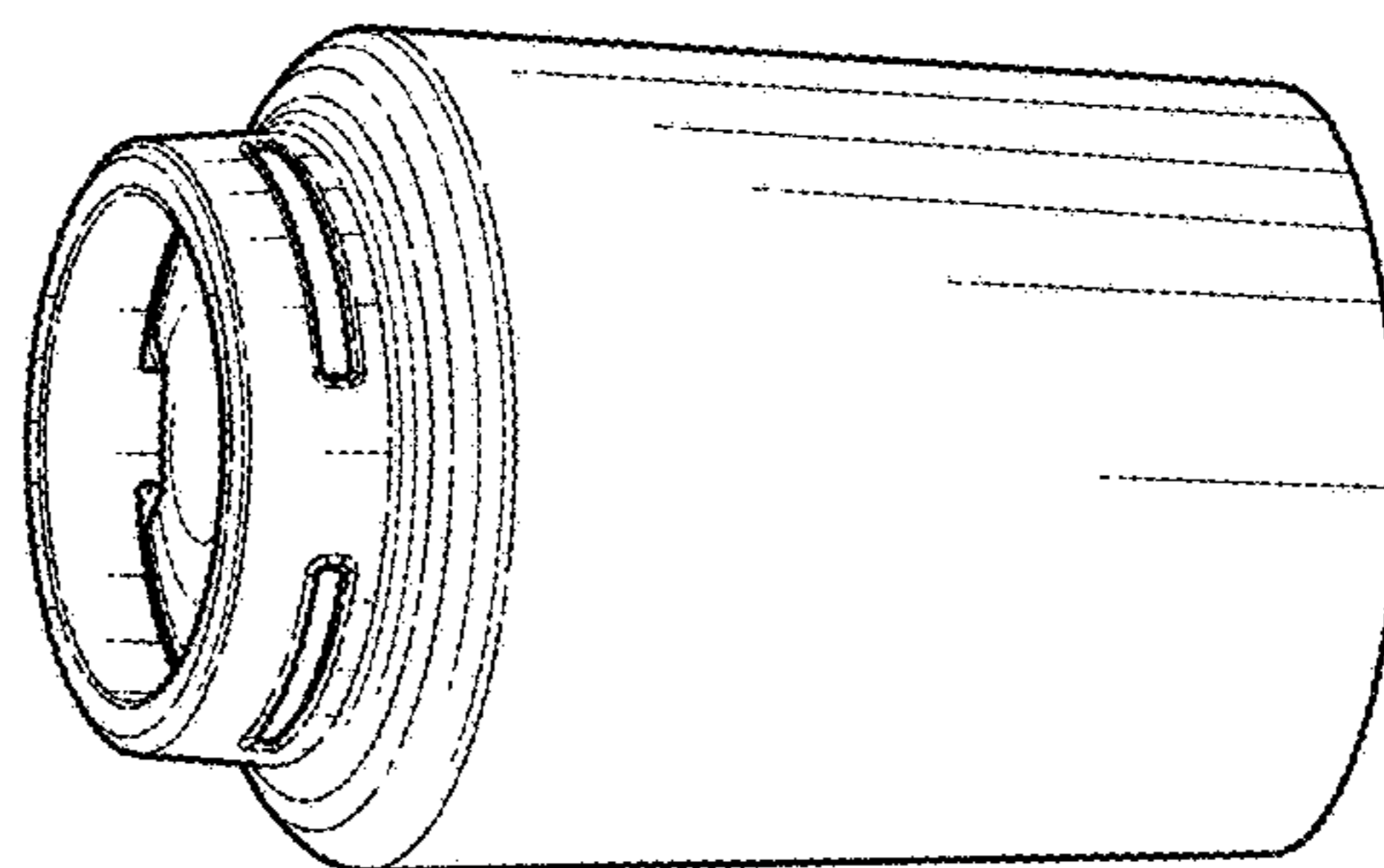


FIG. 17