



US00D815909S

(12) **United States Design Patent**
Paulin et al.

(10) **Patent No.:** **US D815,909 S**
(45) **Date of Patent:** **** Apr. 24, 2018**

(54) **DRINKING CUP**

(71) Applicant: **Michael Addison Paulin**, Louisville, KY (US)

(72) Inventors: **Michael Addison Paulin**, Louisville, KY (US); **Paul Kock**, Parker, CO (US)

(73) Assignee: **Michael Paulin**, Louisville, KY (US)

(**) Term: **15 Years**

(21) Appl. No.: **29/620,238**

(22) Filed: **Sep. 1, 2016**

(51) **LOC (11) Cl.** **07-01**

(52) **U.S. Cl.**
USPC **D7/515; D7/514; D7/523; D7/531; D9/651**

(58) **Field of Classification Search**
USPC **D7/505, 507, 509, 510, 511, 512, 515, D7/523, 532, 392.1, 396.2, 396.6, 552.2, D7/514, 531; 220/495.03, 592.16, 220/592.17, 660; D11/143, 144; D9/772, D9/520, 548, 651**

CPC **A47G 19/2272; A47G 19/2227; A47G 19/22; A45F 3/20; A45F 3/16; B65D 47/066; B65D 1/265**

See application file for complete search history.

(56) **References Cited**

U.S. PATENT DOCUMENTS

D242,736 S * 12/1976 Craft, III D11/143
D242,738 S * 12/1976 Michaeli D26/136

D264,440 S * 5/1982 Austin D9/431
D368,444 S * 4/1996 Shryock D11/143
D379,779 S * 6/1997 Shryock D11/143
6,039,563 A * 3/2000 Hardy F21V 35/00
206/503
D441,315 S * 5/2001 Huffman D11/143
D446,746 S * 8/2001 Simmons D11/143
D534,369 S * 1/2007 Wright D6/678
D606,807 S * 12/2009 Humphreys D7/505
D698,259 S * 1/2014 Ngjelo D9/546
D705,611 S * 5/2014 Britt B65D 81/3865
D7/607
D734,894 S * 7/2015 Schlatter D28/76
D760,545 S * 7/2016 Kayiwa D7/514
D771,439 S * 11/2016 Miller D7/509
D789,747 S * 6/2017 Hume D7/509
D790,924 S * 7/2017 Hume D7/523

* cited by examiner

Primary Examiner — Marianne Pandozzi

Assistant Examiner — Jae Liang

(57) **CLAIM**

We claim the ornamental design for a drinking cup, as shown and described.

DESCRIPTION

FIG. 1 is a side view of a drinking cup showing our new design;
FIG. 2 is a top-front perspective view thereof;
FIG. 3 is a bottom perspective view thereof;
FIG. 4 is a bottom view thereof; and,
FIG. 5 is a top view thereof.

1 Claim, 5 Drawing Sheets

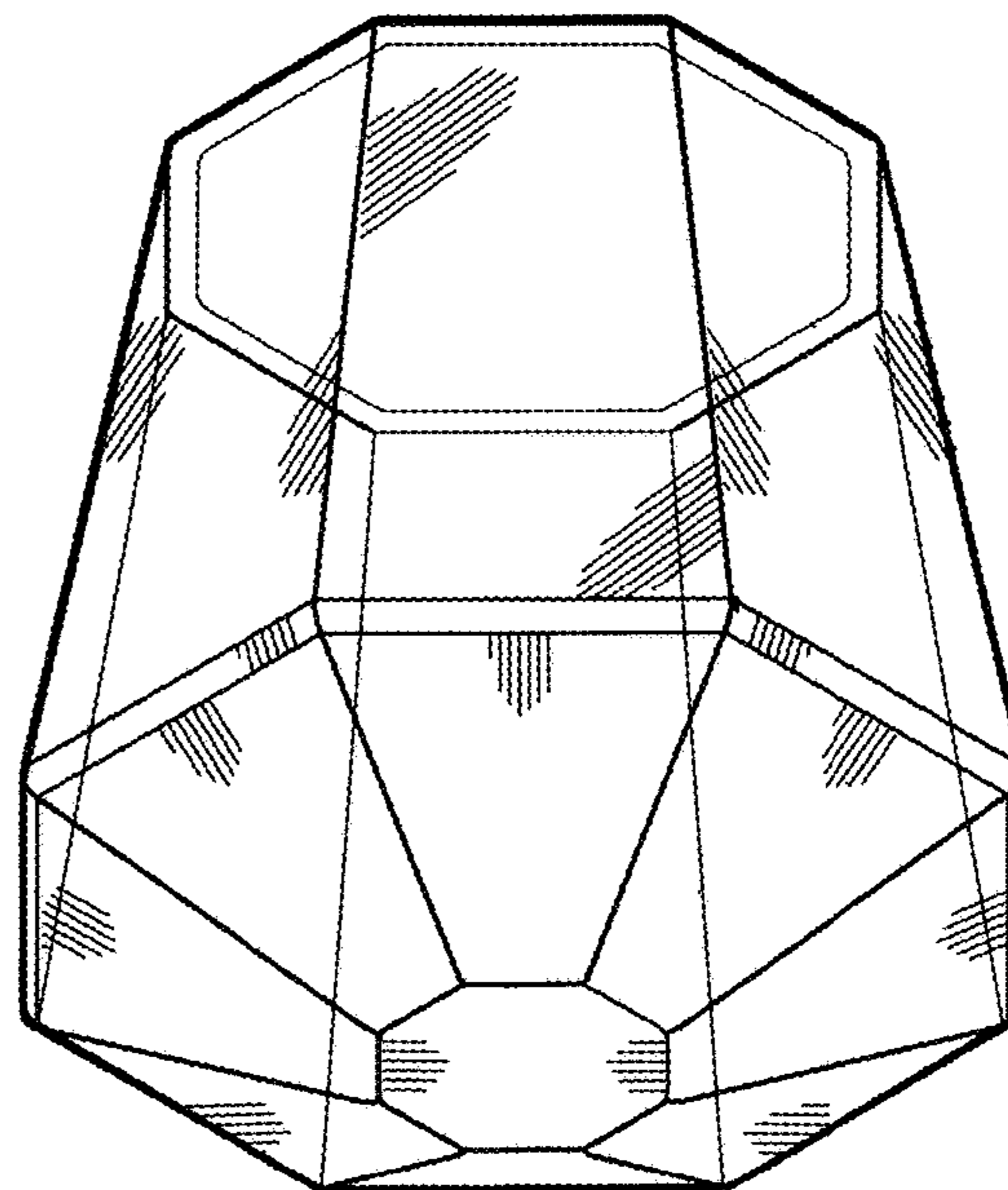
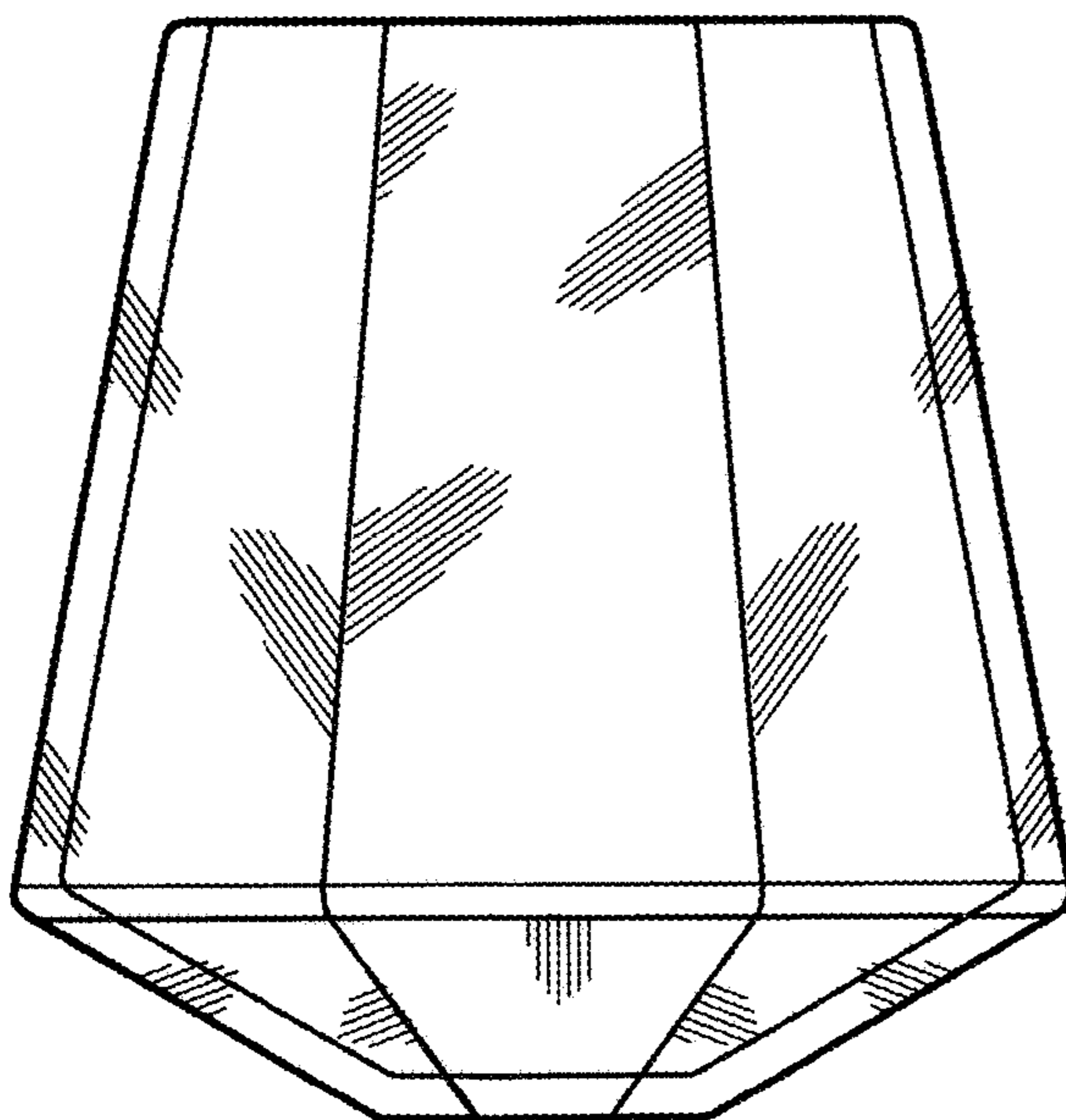


Fig. 1

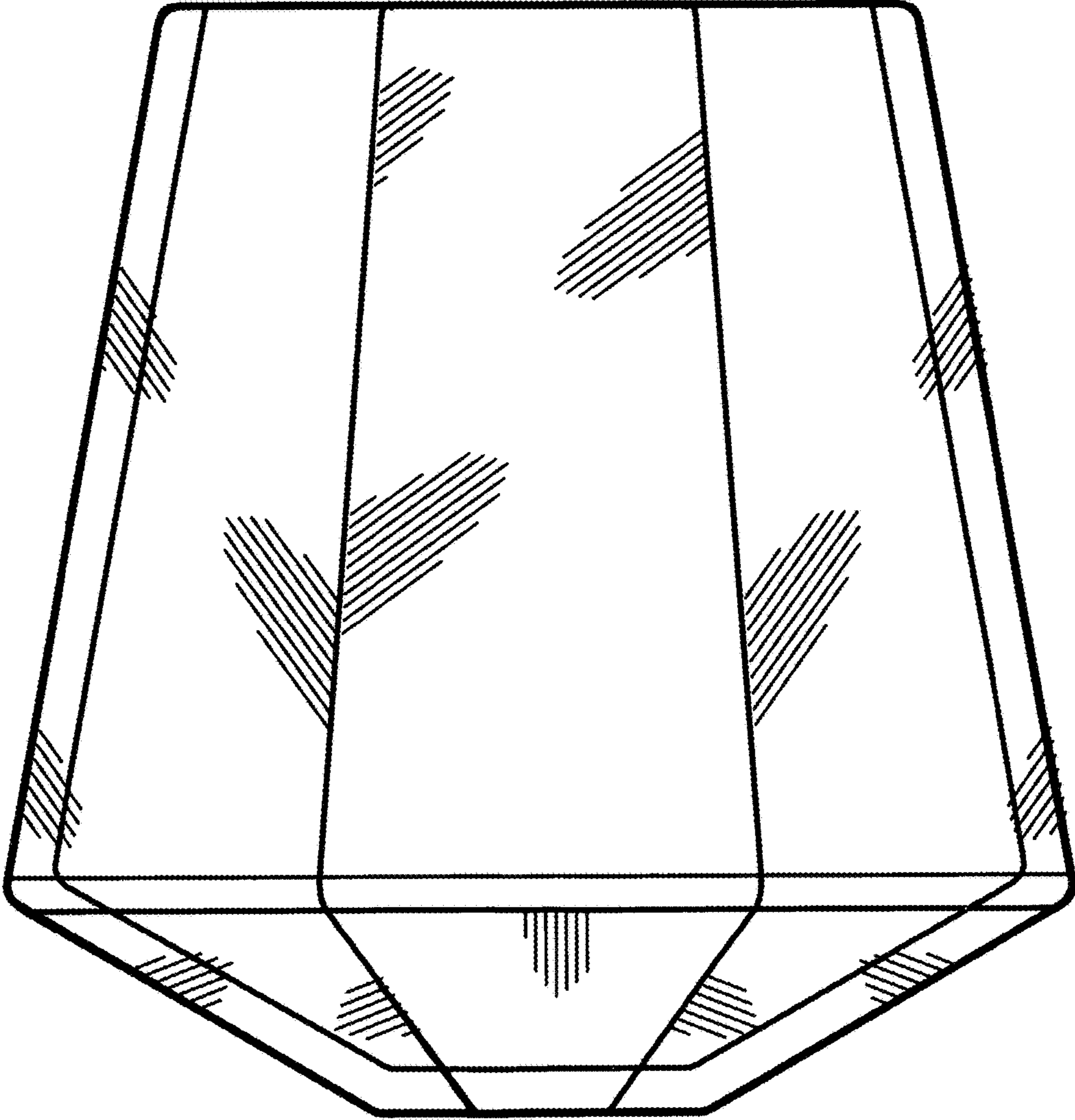


Fig. 2

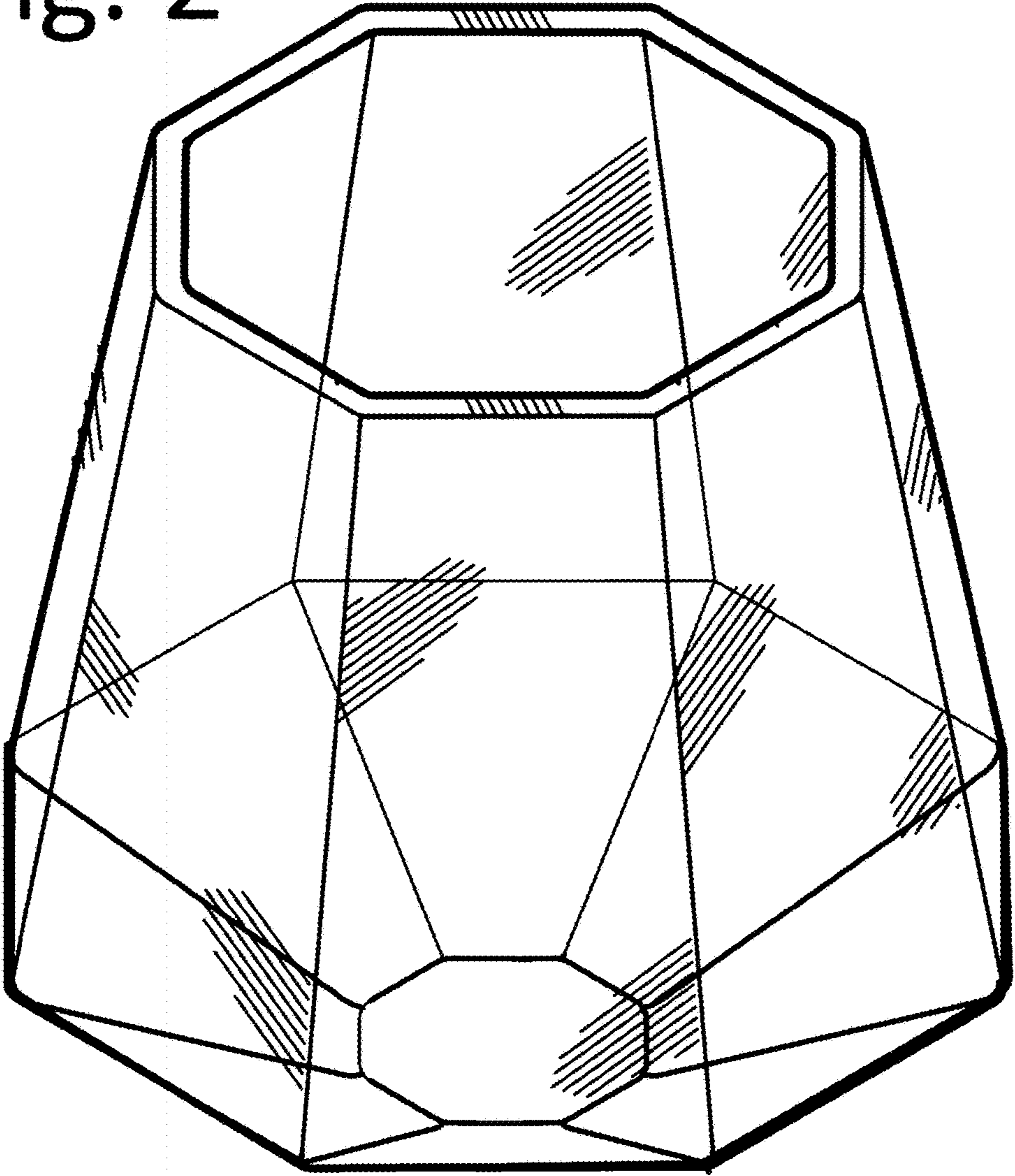


Fig. 3

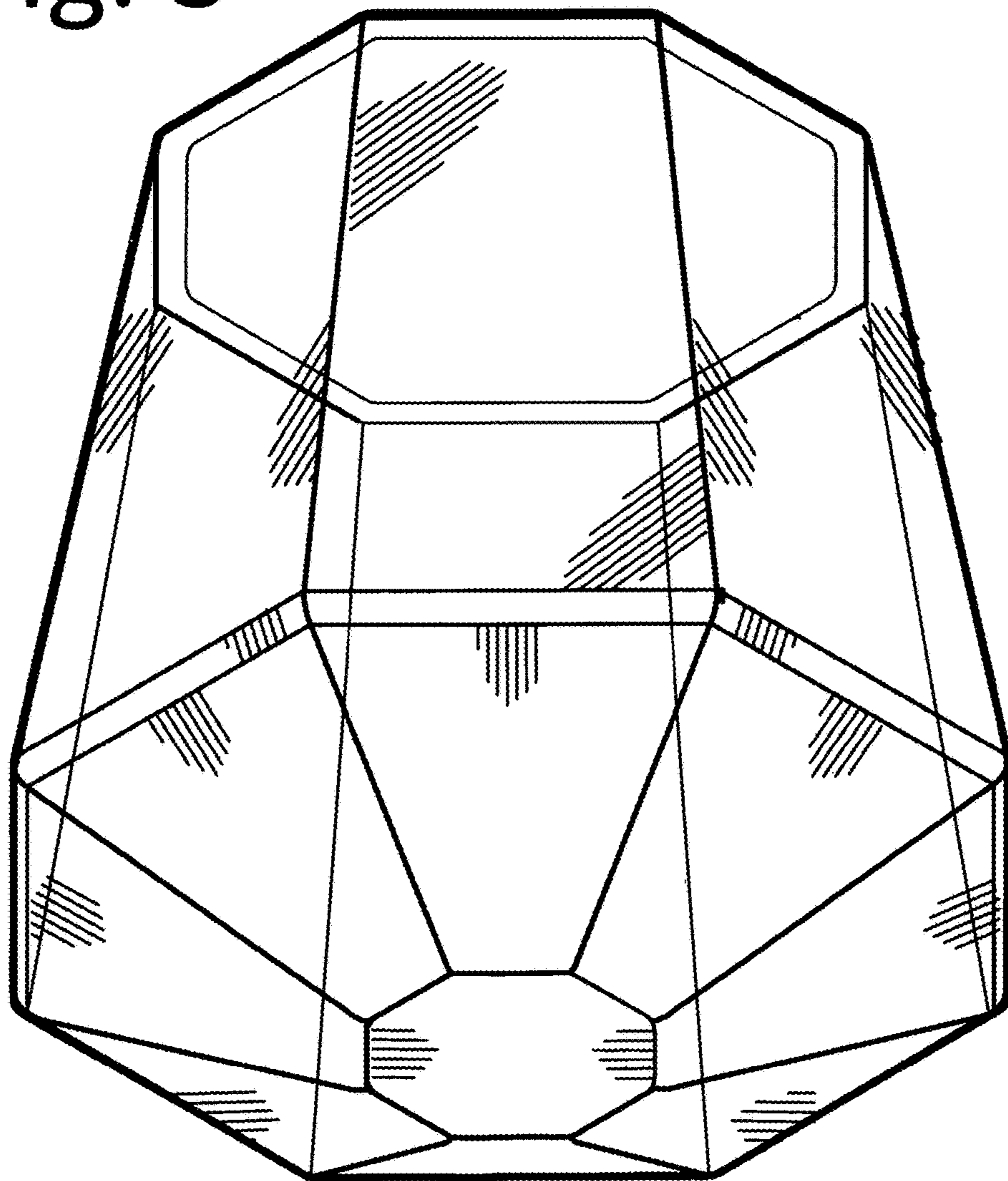


Fig. 4

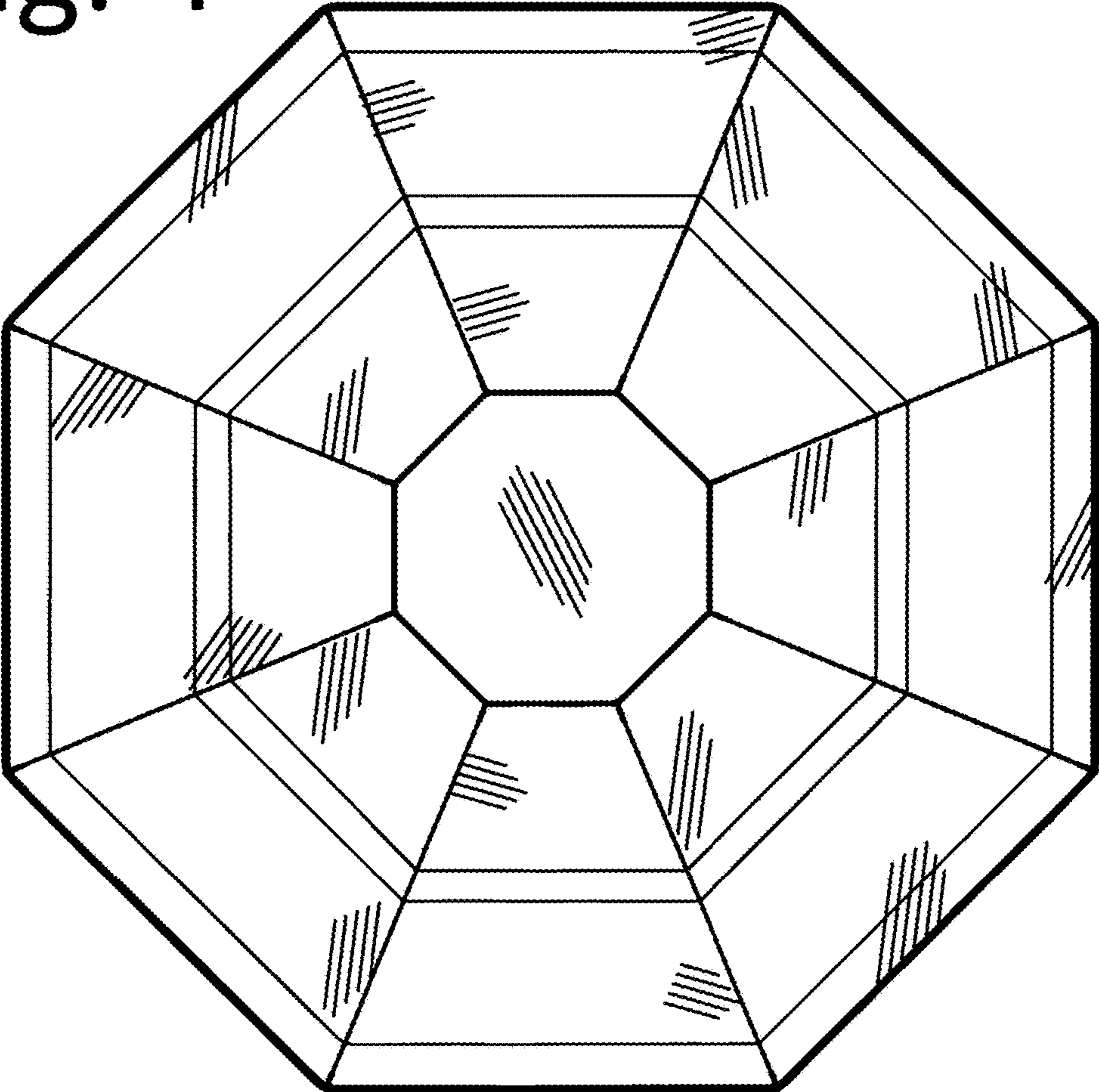


Fig. 5

