



US00D815908S

(12) **United States Design Patent**
Kauss et al.

(10) **Patent No.:** **US D815,908 S**
(45) **Date of Patent:** **** Apr. 24, 2018**

(54) **BOTTLE WITH ATTACHED CAP**

(71) Applicant: **Can't Live Without It, LLC**, New York, NY (US)

(72) Inventors: **Sarah Kauss**, New York, NY (US);
Sarah Williams, Brooklyn, NY (US);
Kim Dunphy, Brooklyn, NY (US);
Courtney Deary, Brooklyn, NY (US);
James Best, Hewitt, NJ (US); **Clay Allen Burns**, New York, NY (US)

(73) Assignee: **CAN'T LIVE WITHOUT IT, LLC**, New York, NY (US)

(**) Term: **15 Years**

(21) Appl. No.: **29/592,744**

(22) Filed: **Feb. 1, 2017**

(51) **LOC (11) Cl.** **09-01**

(52) **U.S. Cl.**
USPC **D7/511; D9/446; D9/453; D9/454;**
D9/539; D9/558

(58) **Field of Classification Search**
USPC **D9/434-435, 443, 446-447, 449,**
D9/453-454, 500, 503-504, 516, 530,
(Continued)

(56) **References Cited**

U.S. PATENT DOCUMENTS

D12,943 S 5/1882 Sanborn
2,691,548 A 10/1954 Otto et al.
(Continued)

OTHER PUBLICATIONS

"S'well Water Bottles" TLC Shopping, posted Jul. 8, 2015, 4 pages,
< <http://tlcshopping.ca/blog/swell-water-bottles/> >.*

(Continued)

Primary Examiner — Dana L Meyrow

(74) *Attorney, Agent, or Firm* — Kilpatrick Townsend & Stockton LLP

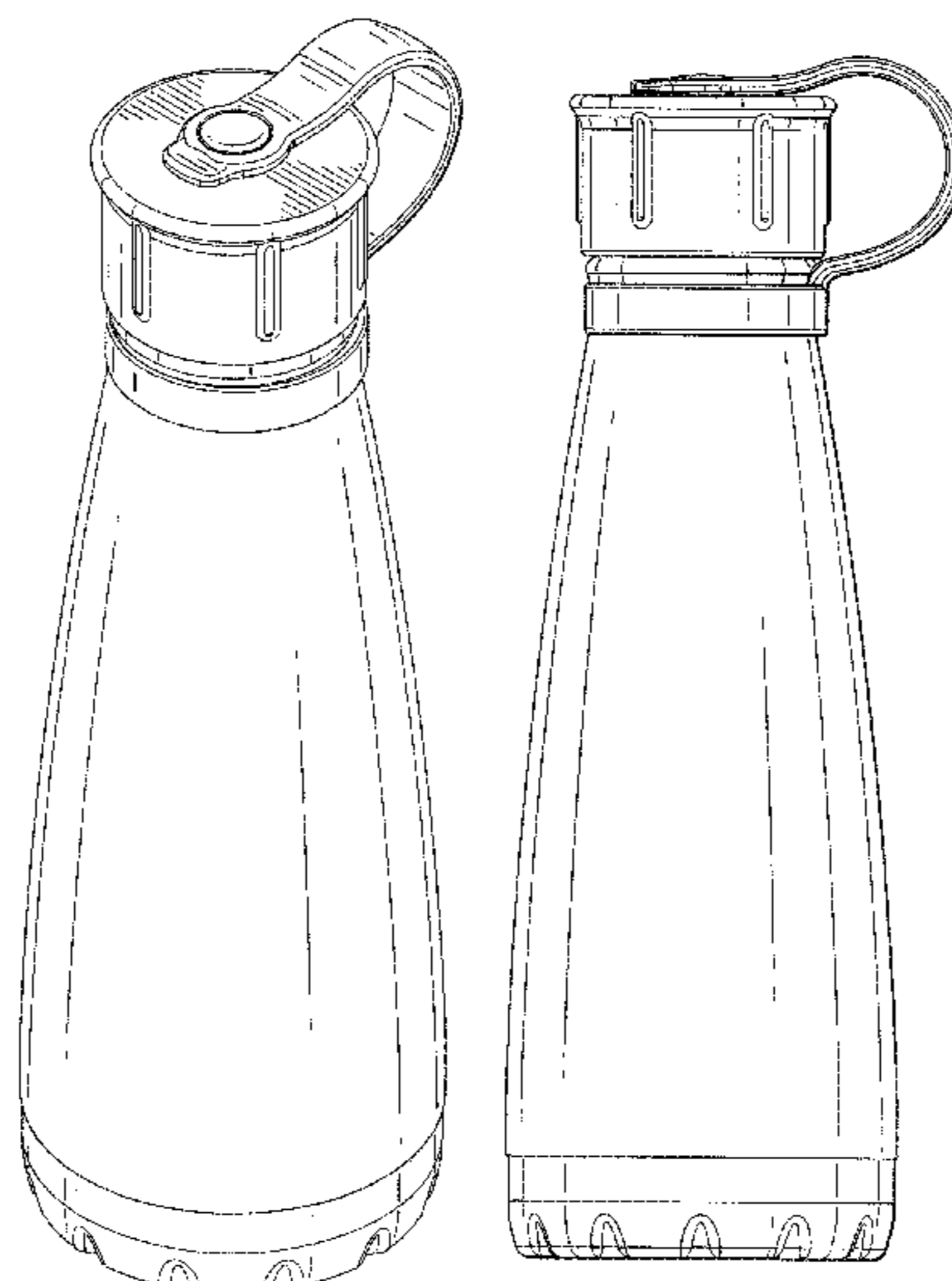
(57) **CLAIM**

We claim the ornamental design for a bottle with attached cap, as shown and described.

DESCRIPTION

FIG. 1 is a top, front right side perspective view of a bottle with attached cap;
FIG. 2 is a front elevation view thereof;
FIG. 3 is a rear elevation view thereof;
FIG. 4 is a right side elevation view thereof;
FIG. 5 is a left side elevation view thereof;
FIG. 6 is a top plan view thereof;
FIG. 7 is a bottom plan view thereof;
FIG. 8 is a bottom, rear, left side perspective view thereof;
FIG. 9 is a top, front right side perspective view of a second embodiment of the bottle with attached cap;
FIG. 10 is a front elevation view thereof;
FIG. 11 is a rear elevation view thereof;
FIG. 12 is a right side elevation view thereof;
FIG. 13 is a left side elevation view thereof;
FIG. 14 is a top plan view thereof;
FIG. 15 is a bottom plan view thereof;
FIG. 16 is a bottom, rear, left side perspective view thereof;
FIG. 17 is a top, front right side perspective view of a third embodiment of the bottle with attached cap;
FIG. 18 is a front elevation view thereof;
FIG. 19 is a rear elevation view thereof;
FIG. 20 is a right side elevation view thereof;
FIG. 21 is a left side elevation view thereof;
FIG. 22 is a top plan view thereof;
FIG. 23 is a bottom plan view thereof; and,
FIG. 24 is a bottom, rear, left side perspective view thereof.
The short dash-long dash broken line on the bottom surface of the bottle with attached cap defines the bounds of the claim and forms no part thereof.

1 Claim, 17 Drawing Sheets



(58) **Field of Classification Search**

USPC D9/537–539, 549, 557–558, 715, 719;
 D7/391–392, 507, 509–511, 523, 608
 CPC B65D 1/00; B65D 1/02; B65D 1/0223;
 B65D 23/00; B65D 81/00; B65D
 2501/00; B65D 2501/0009; A45F 3/16;
 A45F 2003/163; A47G 19/22; A47G
 19/2205; A47G 19/2288
 See application file for complete search history.

D702,131 S 4/2014 Handy
 D711,180 S 8/2014 Villa
 D726,018 S * 4/2015 Archer D9/446
 D733,282 S * 6/2015 Peterson D23/328
 D745,398 S * 12/2015 Cotton D9/500
 D760,590 S * 7/2016 Renner D9/500
 D762,476 S * 8/2016 Velmer D9/445
 D772,070 S * 11/2016 Broen D9/415
 D774,826 S * 12/2016 Boroski D7/510
 D787,939 S * 5/2017 Lam D9/503
 D804,254 S 12/2017 Seiders et al.

(56) **References Cited**

U.S. PATENT DOCUMENTS

2,987,212 A 6/1961 Scanlon
 2,991,896 A * 7/1961 Glover B65D 23/0814
 215/12.2
 D219,125 S 11/1970 Gortz et al.
 4,124,148 A * 11/1978 Vieler B05B 11/3052
 222/3
 D322,936 S * 1/1992 Maginnis, Jr. D9/538
 D392,565 S * 3/1998 Blackburn D9/500
 D409,051 S 5/1999 Huang
 D481,949 S * 11/2003 Pinnavaia D9/500
 D483,264 S 12/2003 Canepa
 D500,444 S * 1/2005 Drake D9/503
 D582,278 S 12/2008 Bourne
 D596,942 S 7/2009 Britto
 D609,536 S * 2/2010 Tang D7/679
 D620,742 S 8/2010 Lion et al.
 D644,489 S * 9/2011 Trombly D7/510
 D663,618 S 7/2012 Cohen et al.
 D671,409 S 11/2012 Cohen et al.
 D688,912 S * 9/2013 Rosbach D7/392.1
 D693,688 S 11/2013 Russell et al.

OTHER PUBLICATIONS

AquaFlask; <http://www.theaquafask.com/shop-2/aquafask-insulated-double-wall-stainless-steel-water-bottle-with-handle-27-ounce-glossy-stainless-steel>; page accessed on Sep. 7, 2016.
 Eco promotions online; personalized stainless steel water bottles; page accessed on Sep. 7, 2016.
 Caribou Coffee; Ombre double walled stainless steel water bottle; <https://web.archive.org/web/20100923223026/https://cariboucoffee.com/asp/shop/det/ail.asp?c=4&p=777>; published Sep. 23, 2010.
 GoodLifeBottles; www.goodlifebottles.com; page accessed on Feb. 2, 2017.
 DIY Trade; Double-wall stainless steel sports bottle; Yongkang Merle Industry & Trade Co., Ltd.; http://www.diytrade.com/china/pd/7276391/double_wall_Stainless_Steel_Sports_Bottle.html; published Dec. 2010.
 Bottle “A” identified prior to Nov. 18, 2016.
 Bottle “B” identified prior to Nov. 18, 2016.
 U.S. Appl. No. 29/625,984, “Notice of Allowance”, dated Jan. 30, 2018, 15 pages.

* cited by examiner

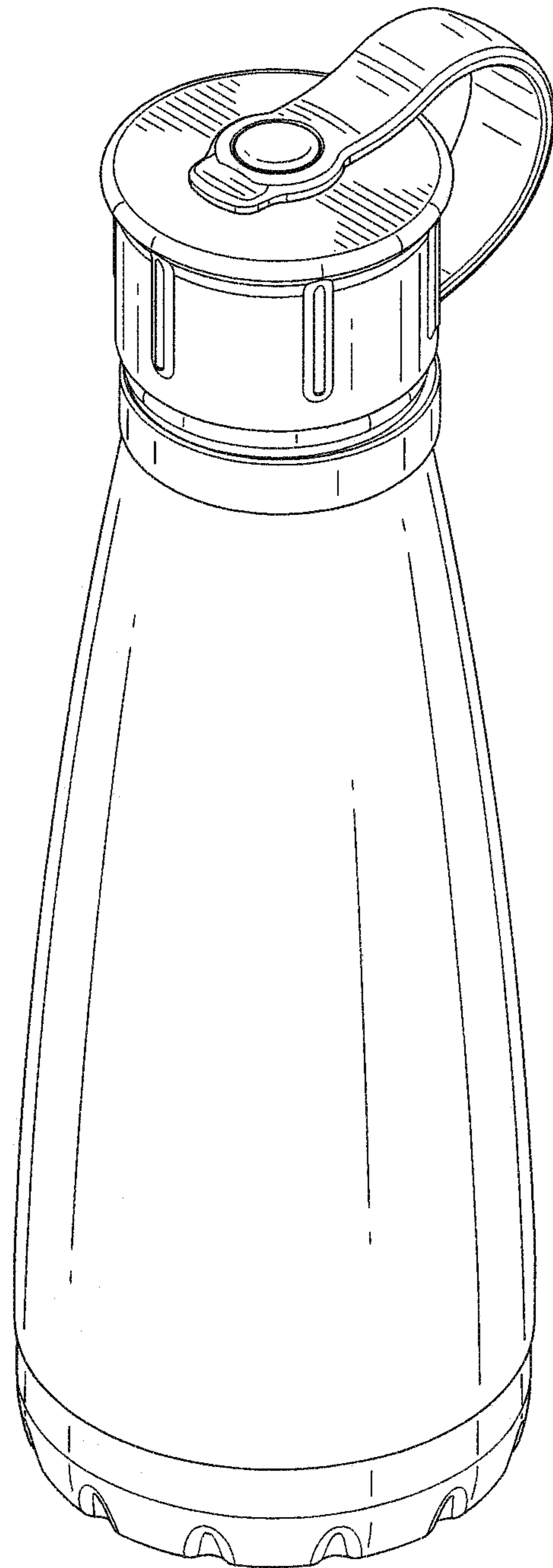


FIG. 1

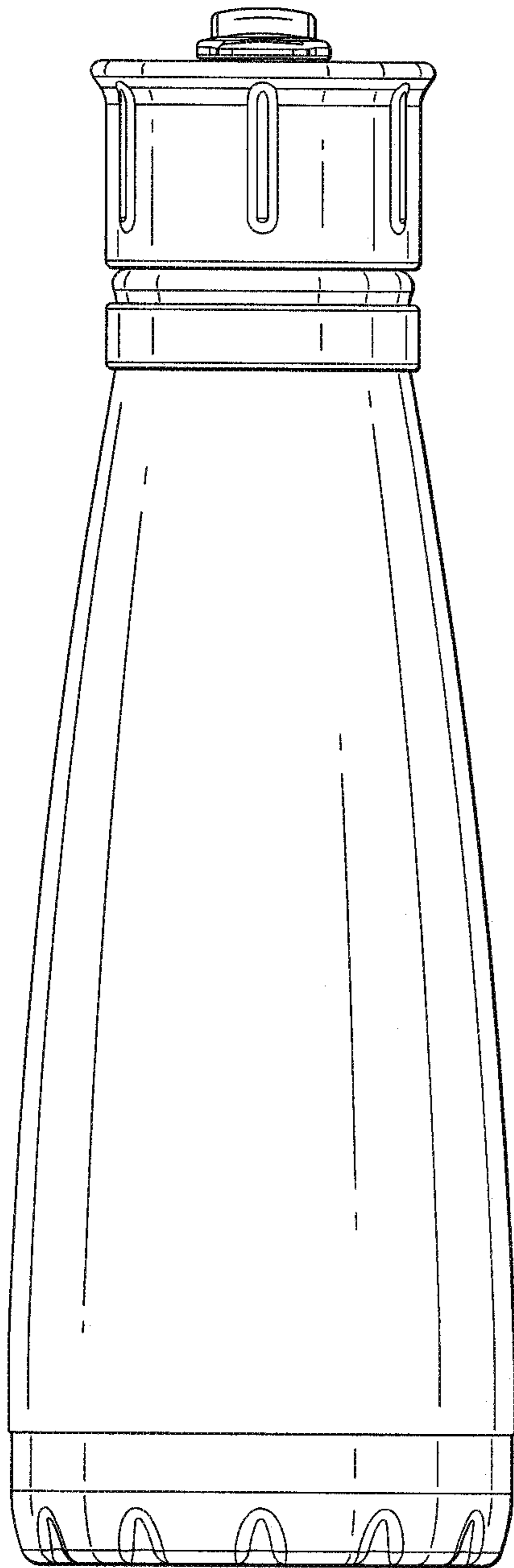


FIG. 2

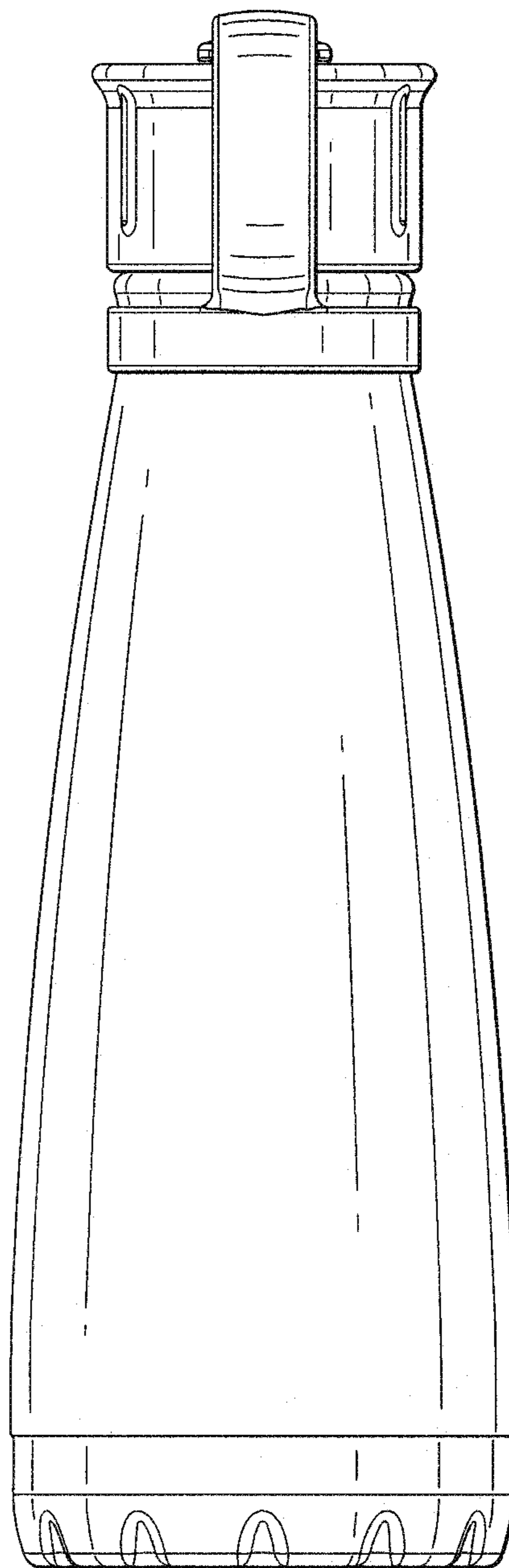


FIG. 3

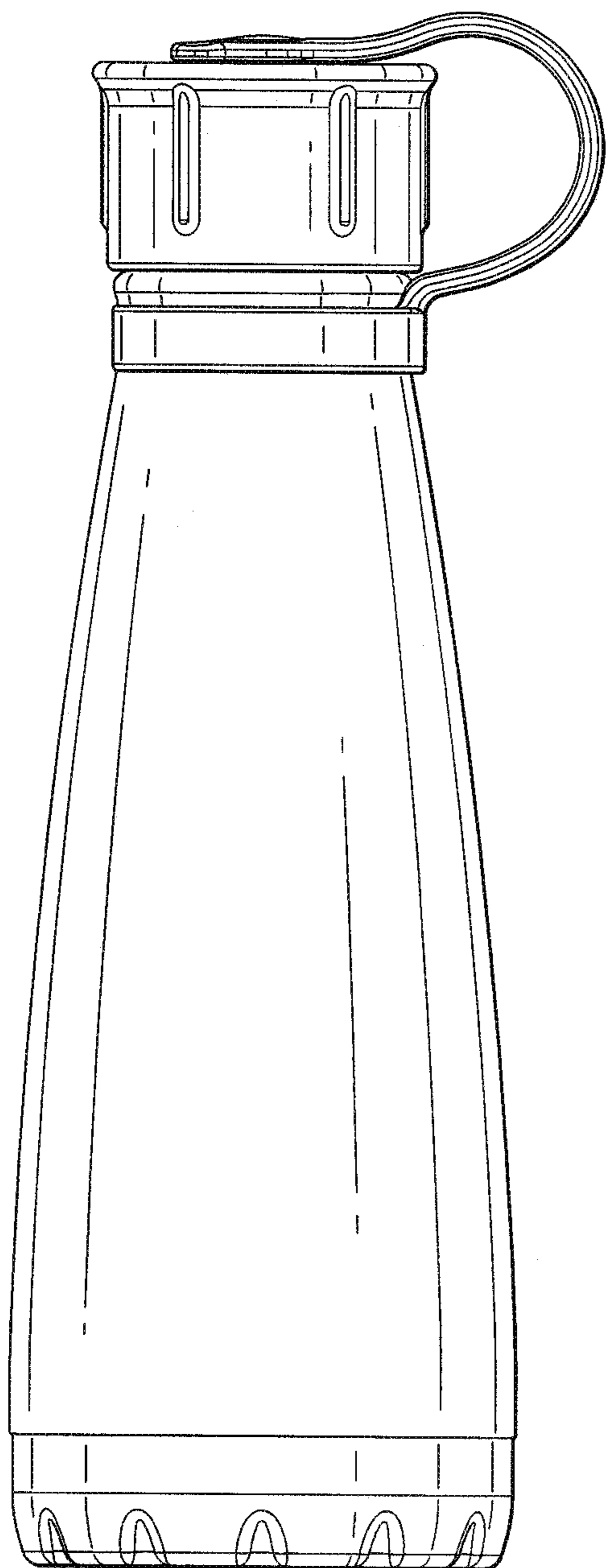


FIG. 4



FIG. 5

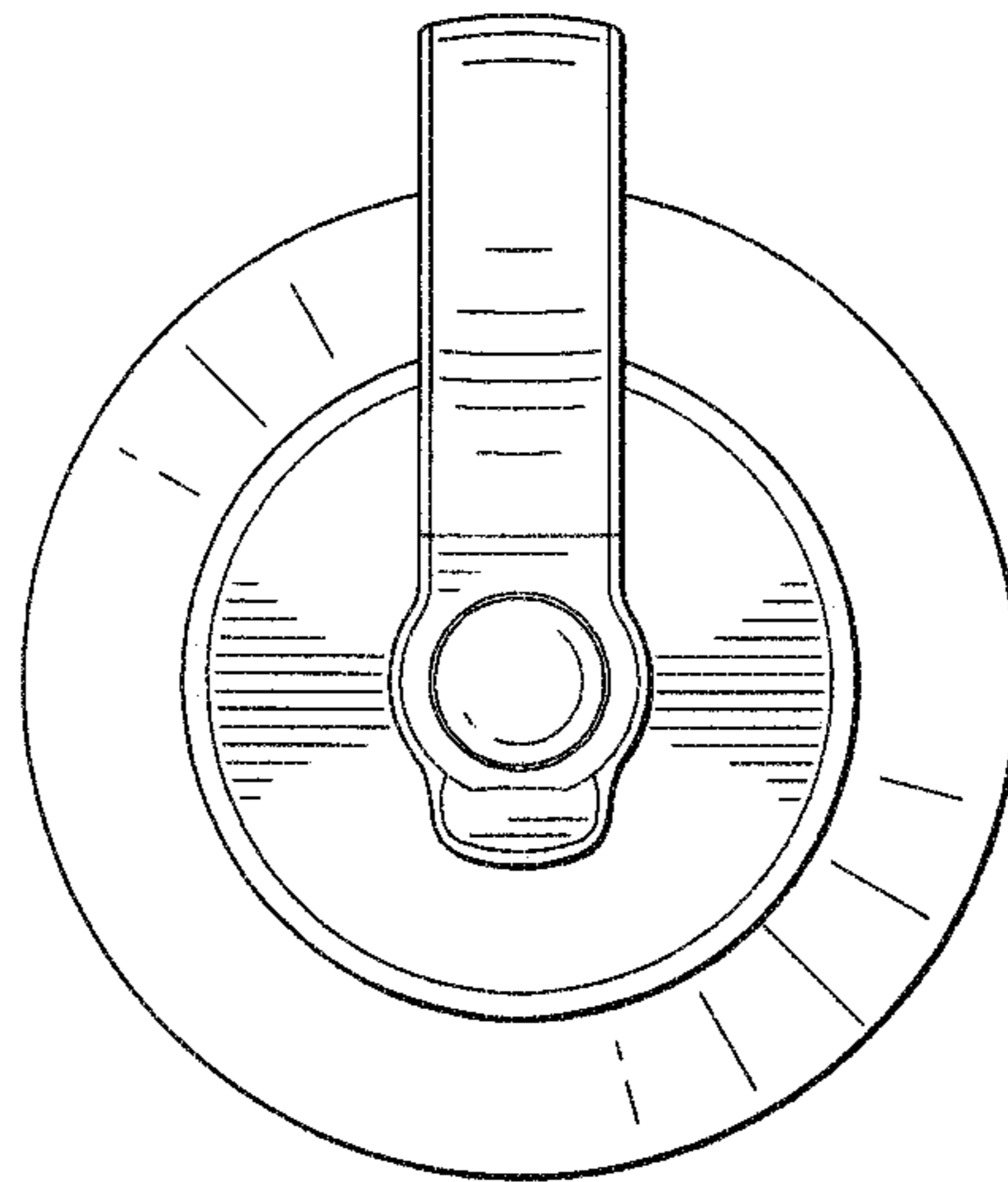


FIG. 6

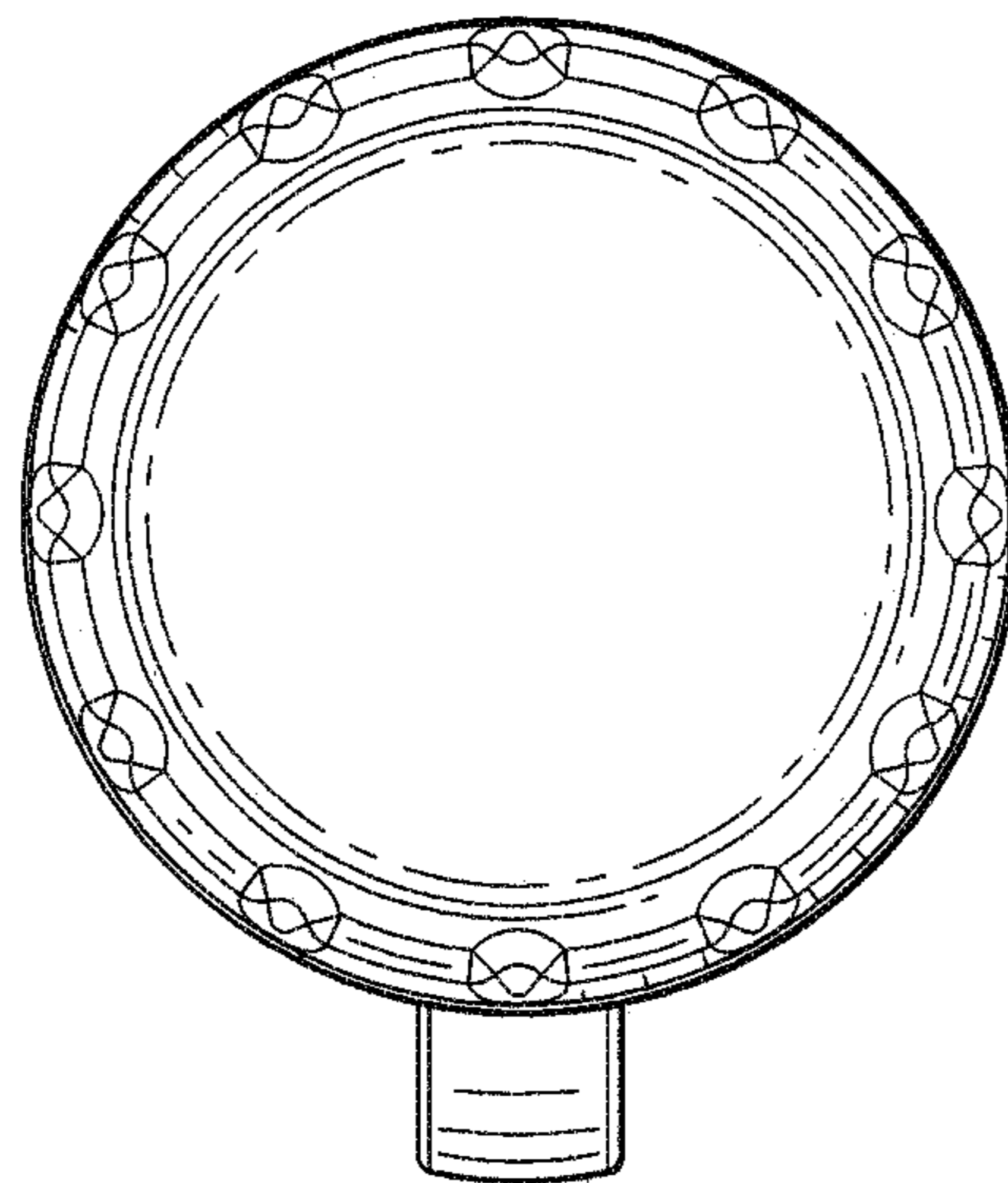


FIG. 7

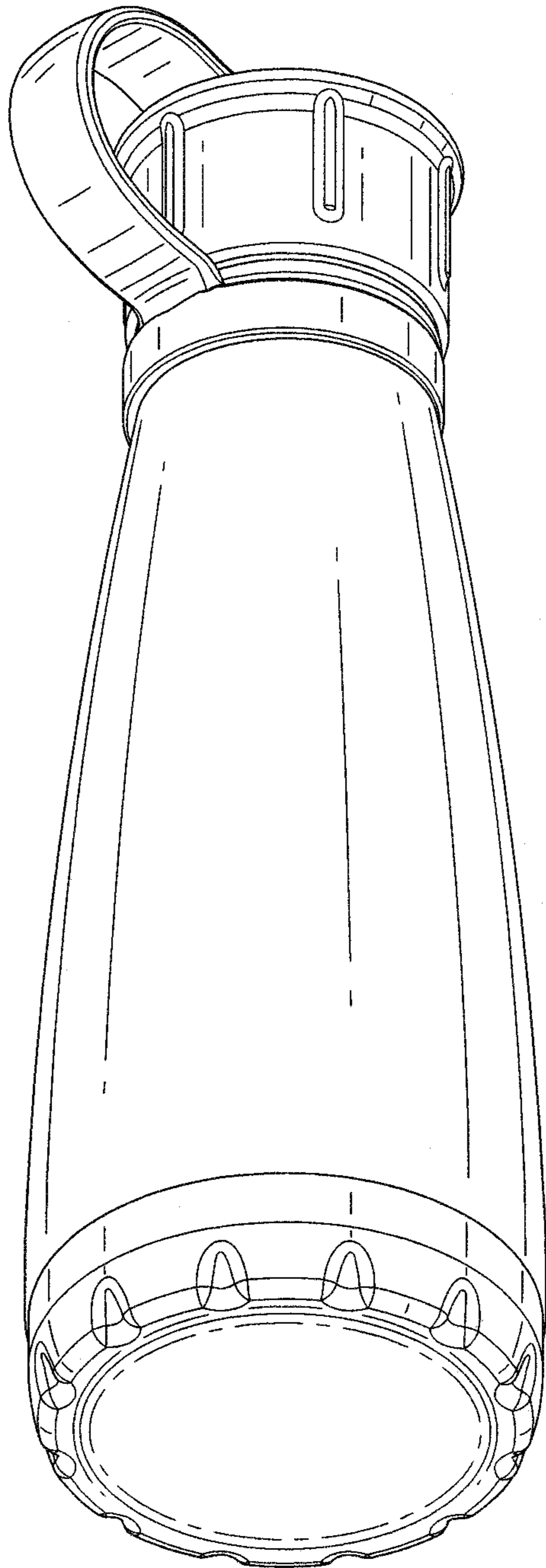


FIG. 8

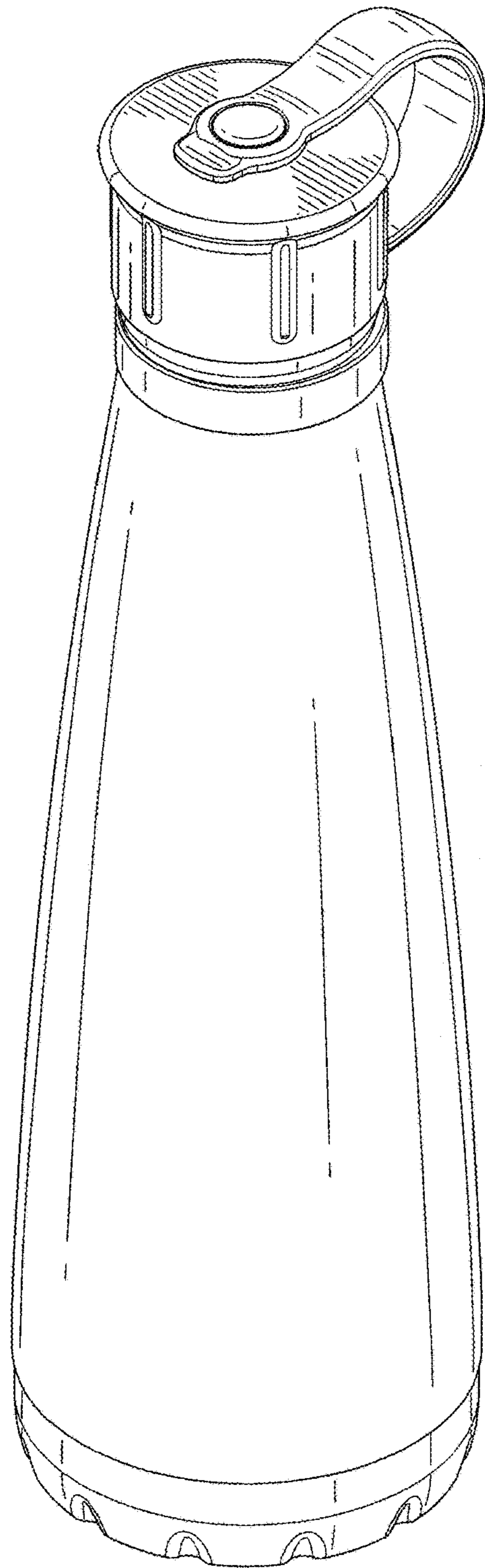


FIG. 9

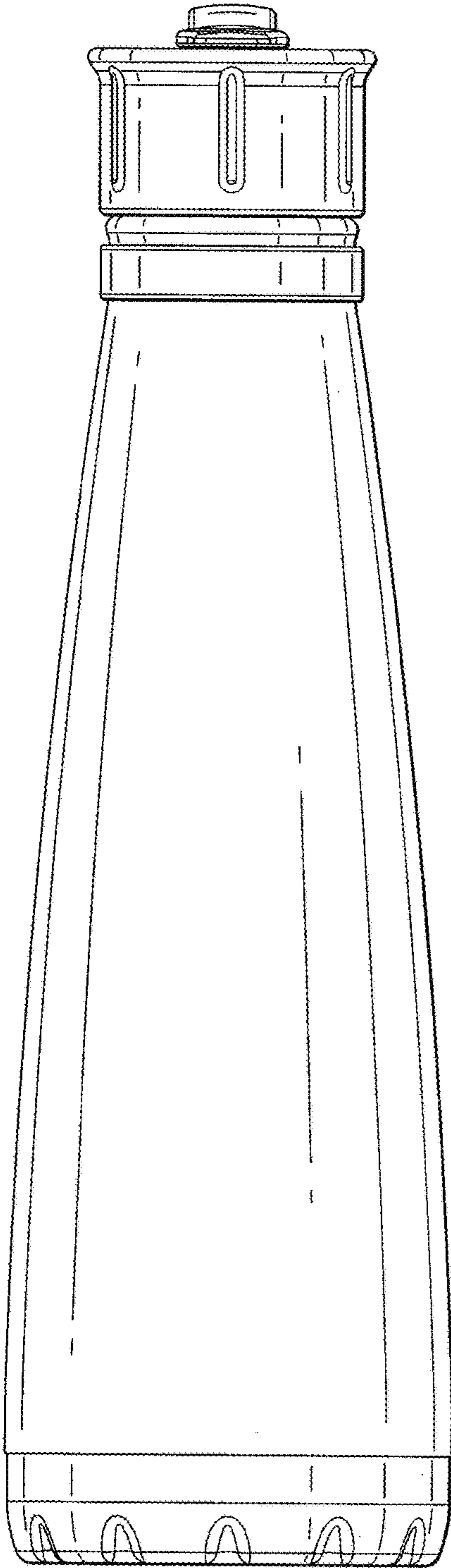


FIG. 10

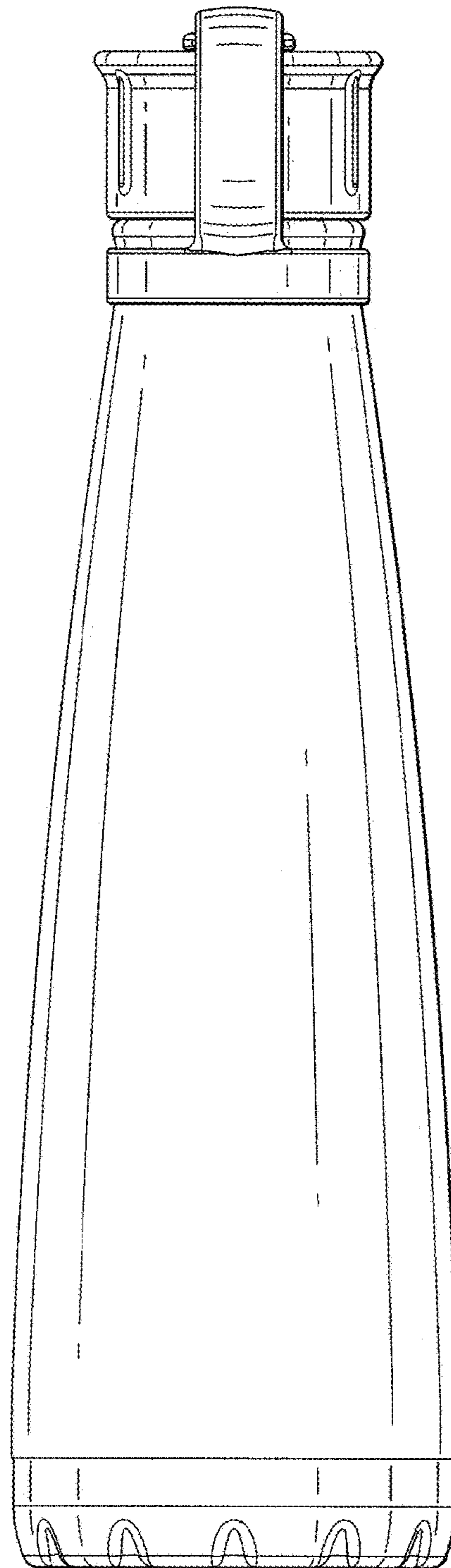


FIG. 11

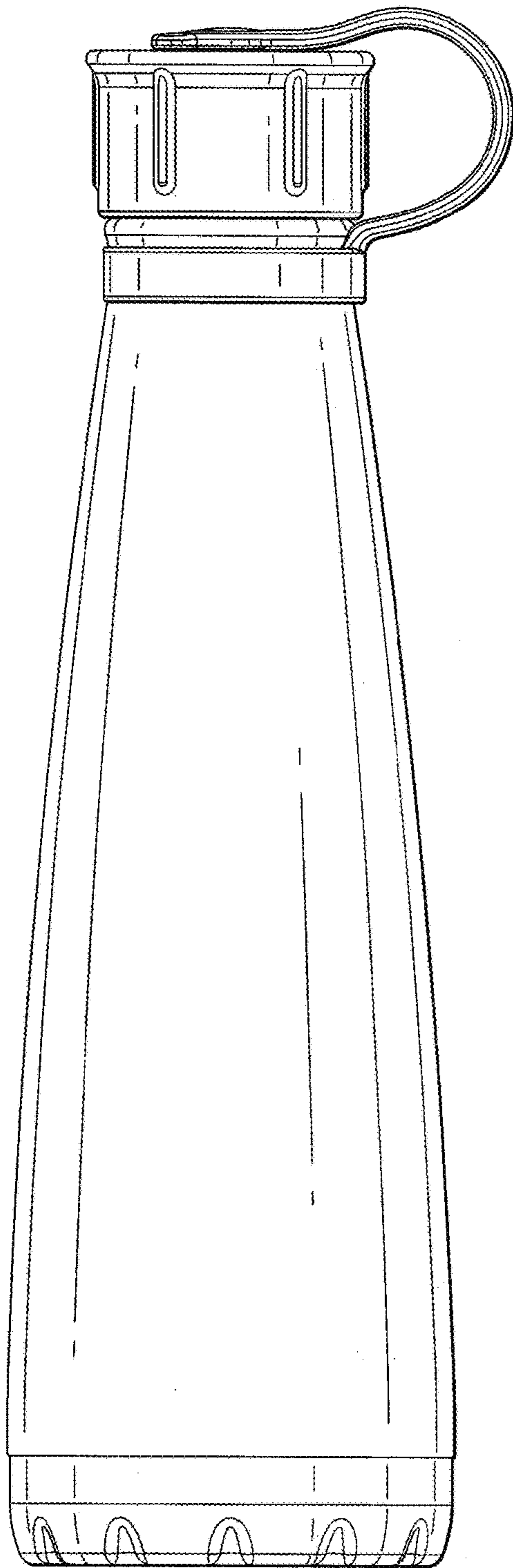


FIG. 12

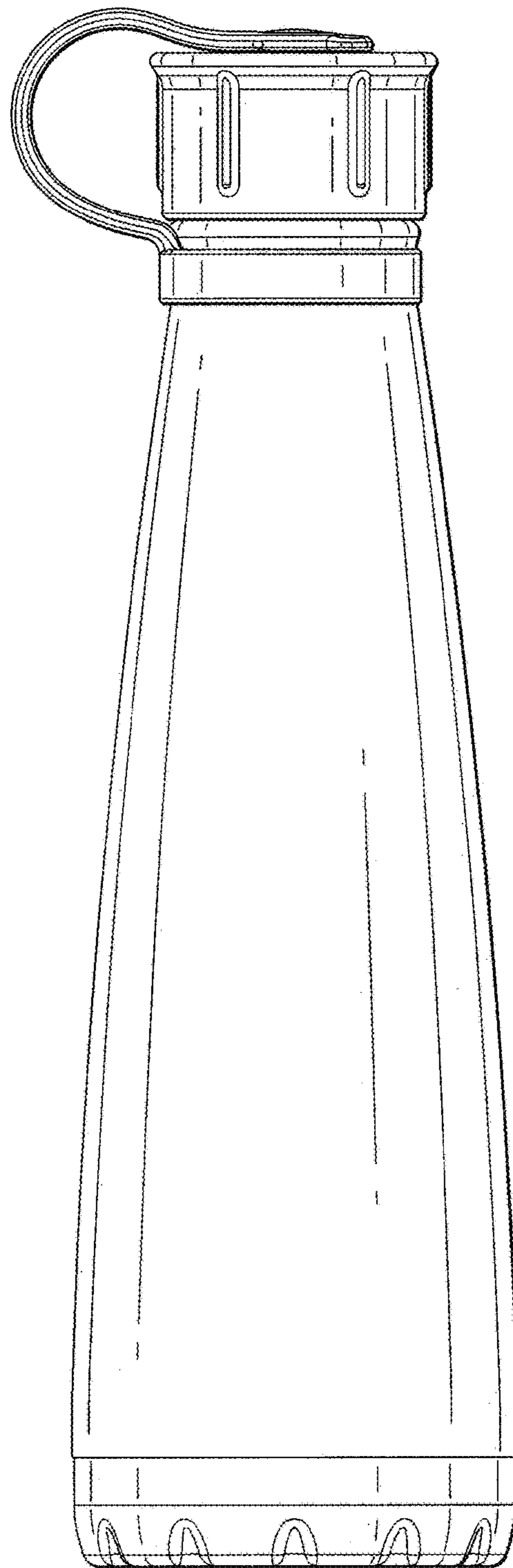


FIG. 13

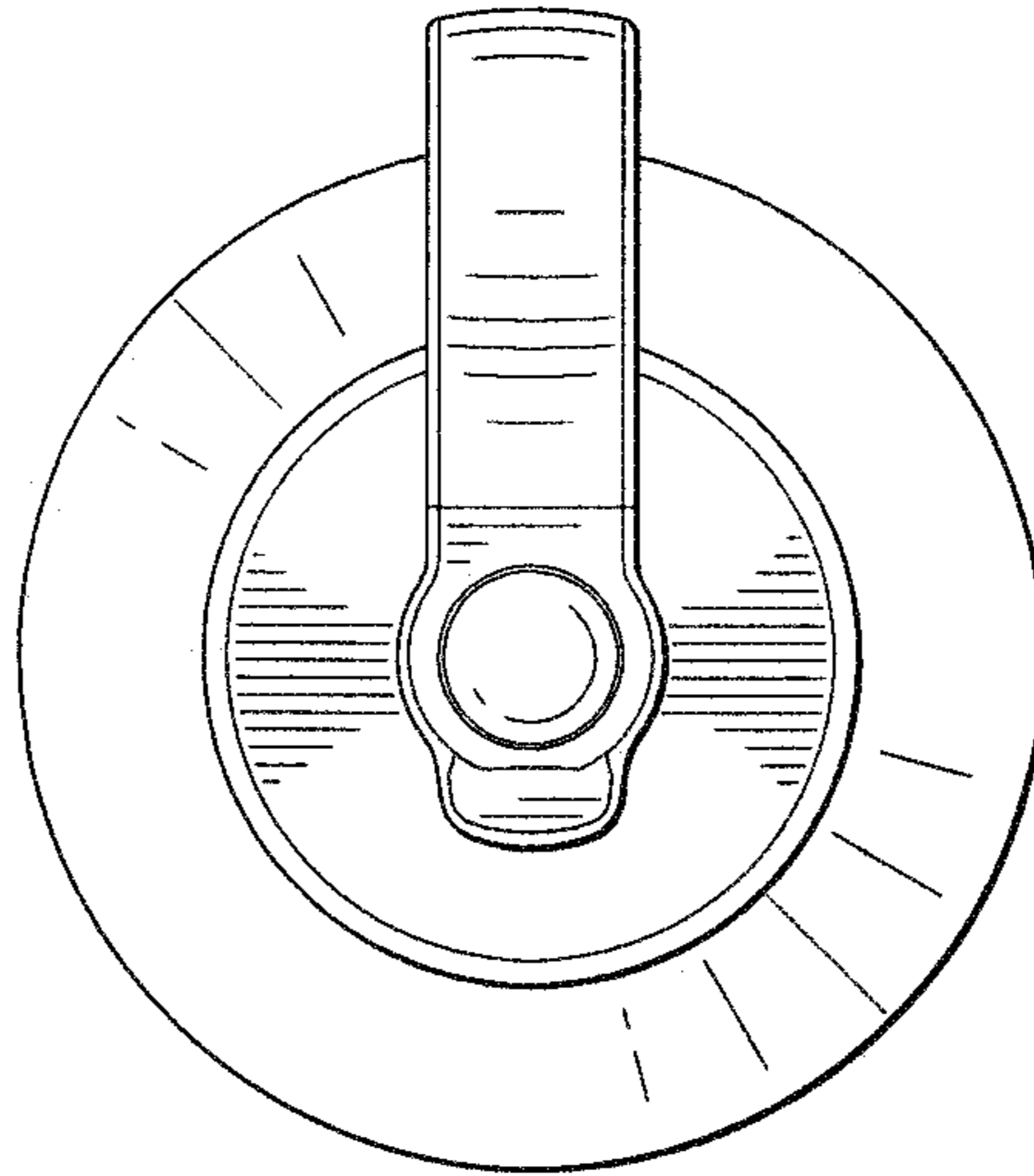


FIG. 14

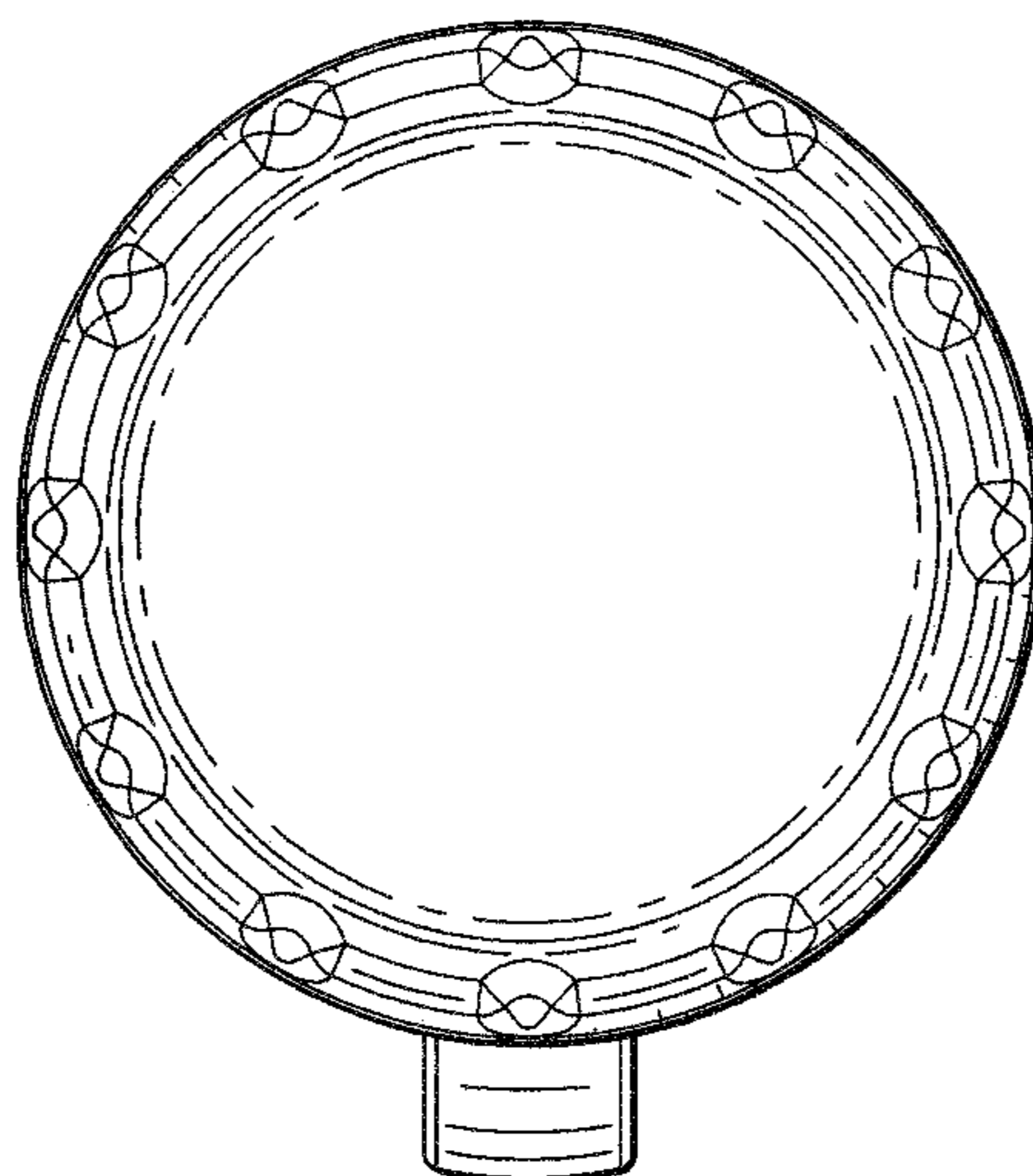


FIG. 15

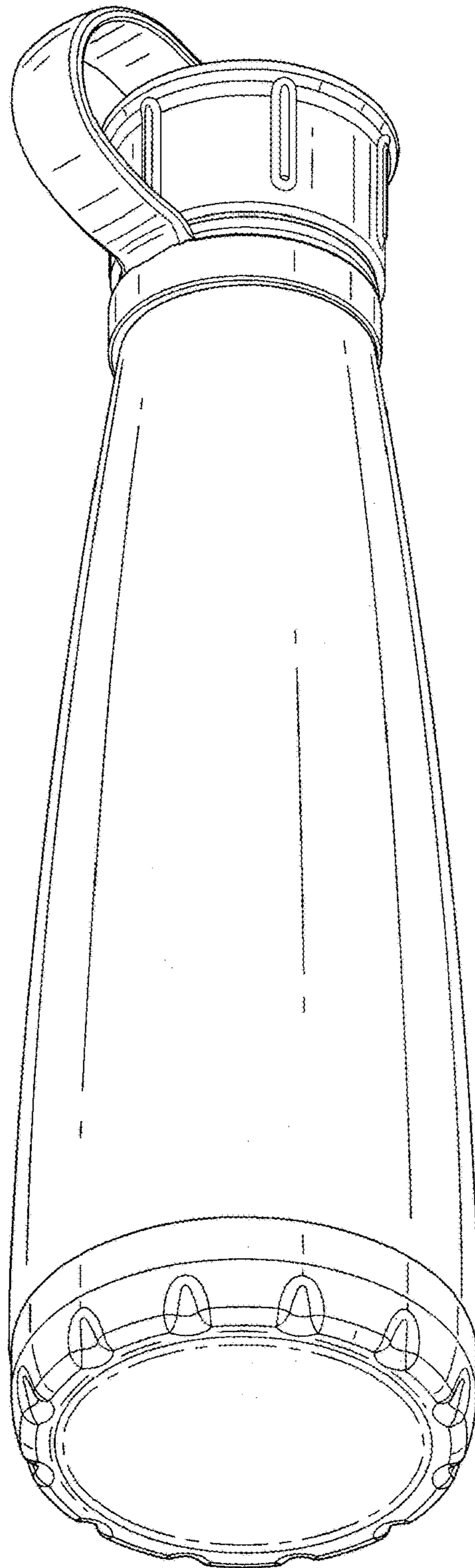


FIG. 16

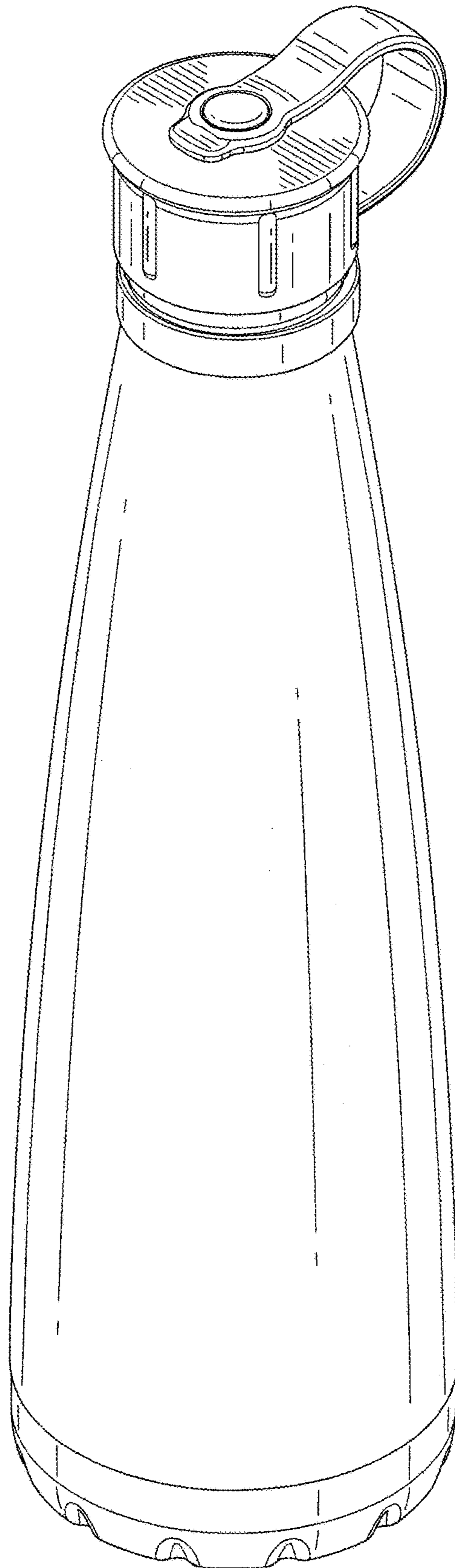


FIG. 17

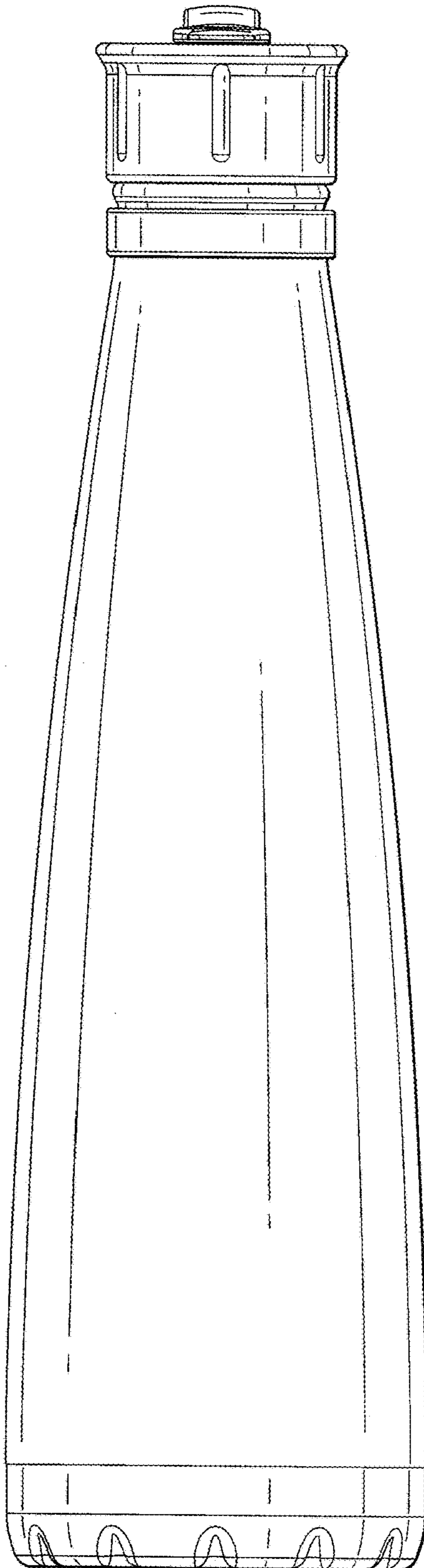


FIG. 18

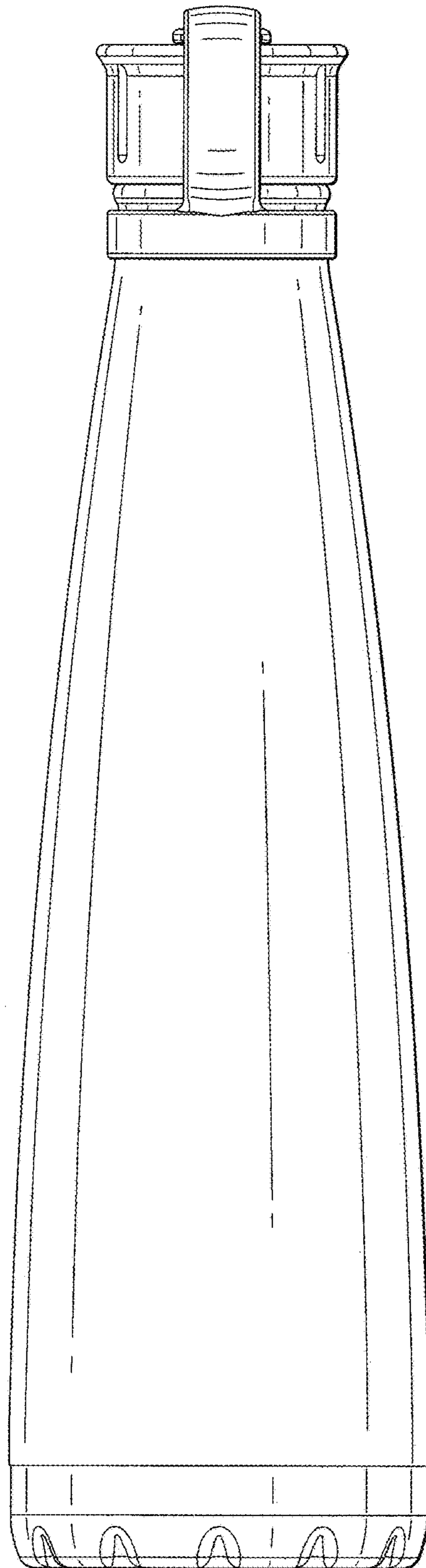


FIG. 19

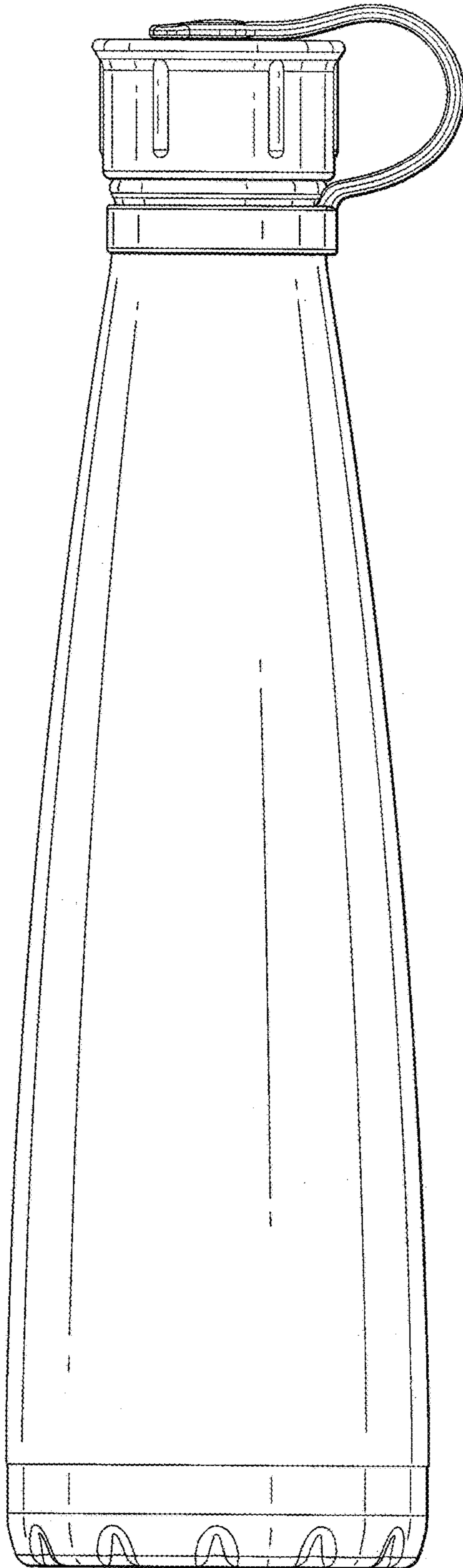


FIG. 20

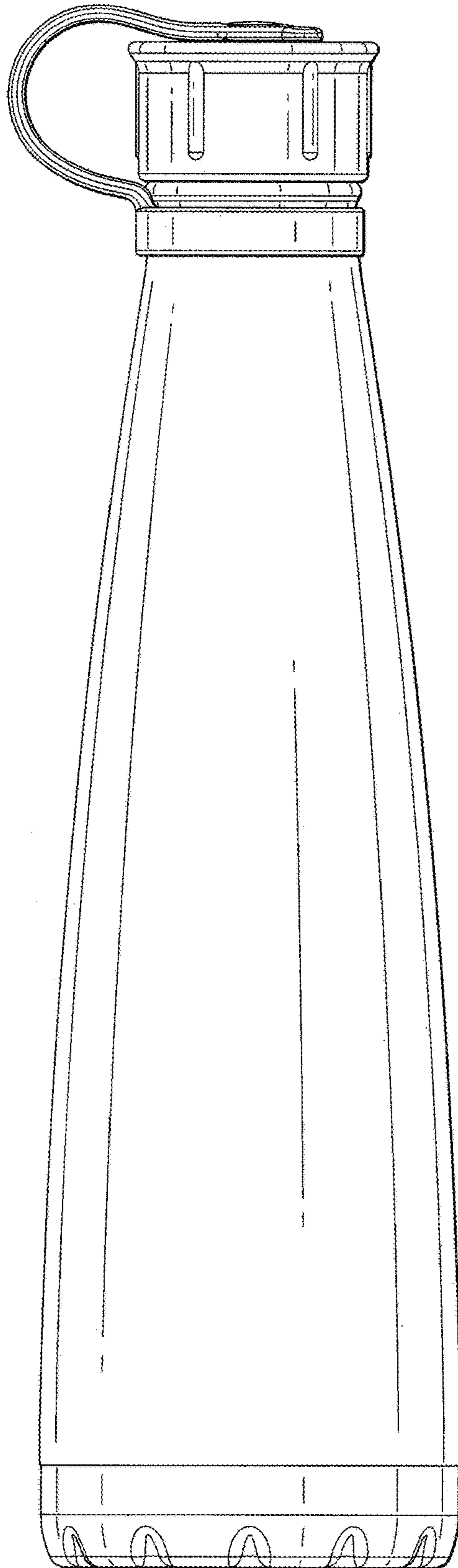


FIG. 21

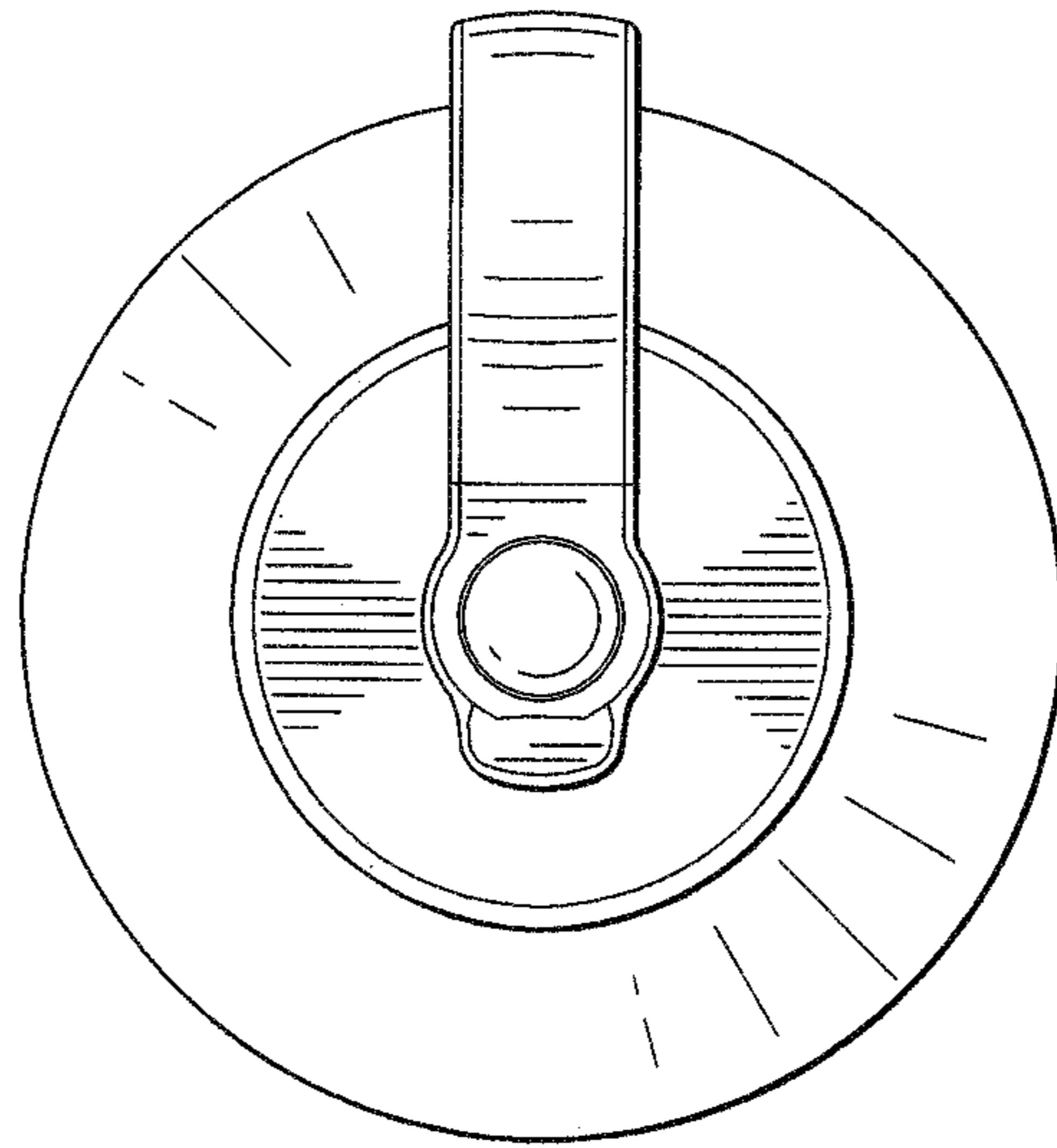


FIG. 22

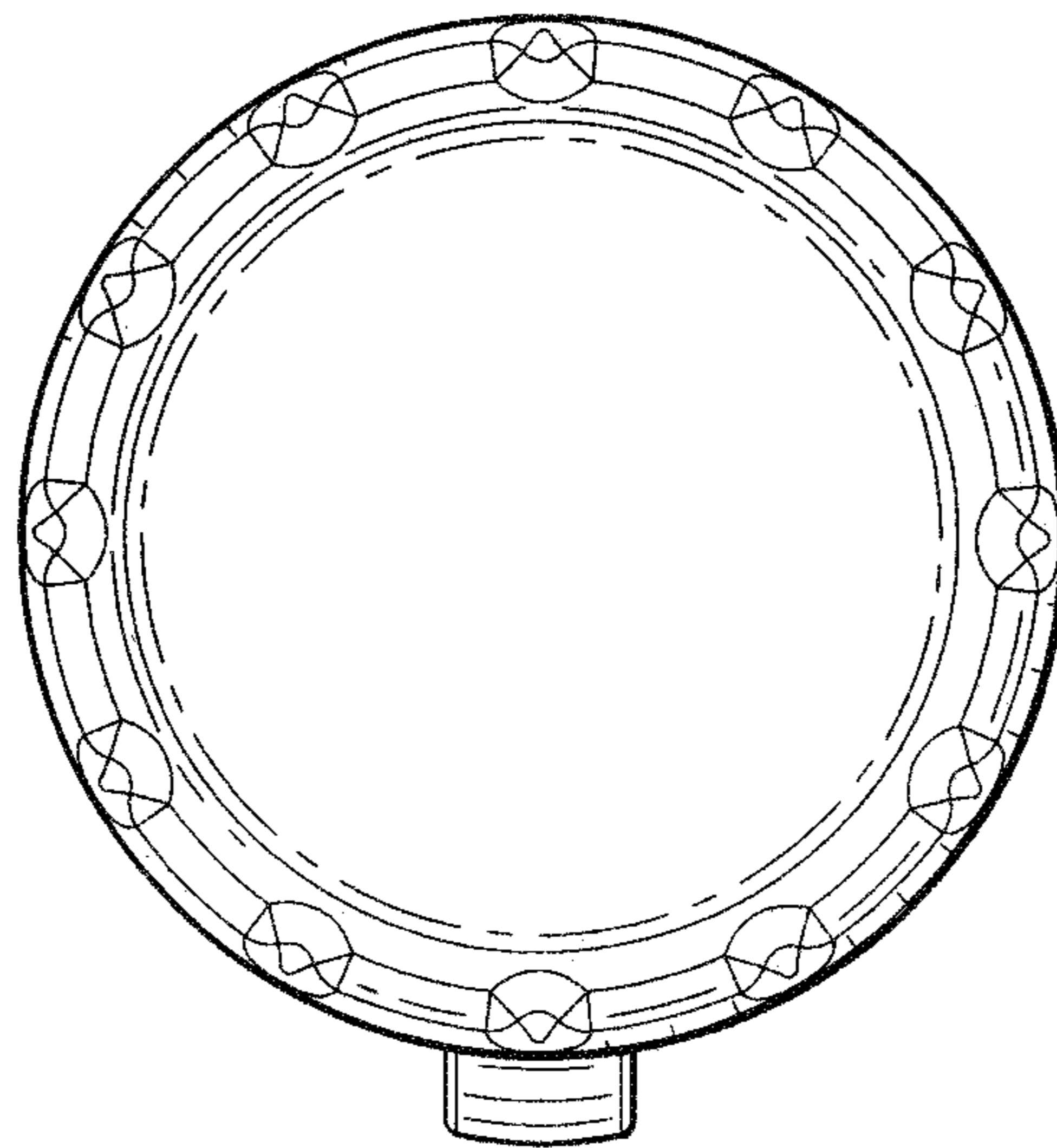


FIG. 23

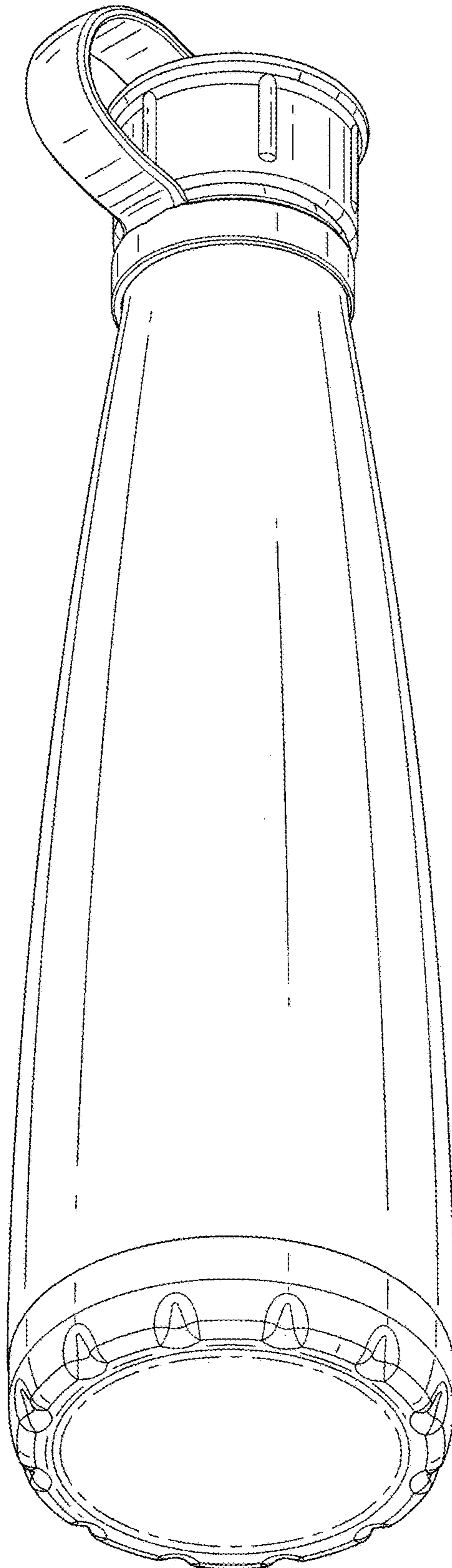


FIG. 24