



US00D815907S

(12) **United States Design Patent**
Yao

(10) **Patent No.:** **US D815,907 S**

(45) **Date of Patent:** **** *Apr. 24, 2018**

(54) **BEER BARREL**

(71) Applicant: **Hangzhou Everich Houseware Co., Ltd.**, Hangzhou, Zhejiang (CN)

(72) Inventor: **Huajun Yao**, Zhejiang (CN)

(73) Assignee: **HANGZHOU EVERICH HOUSEWARE CO., LTD.**, Hangzhou, Zhejiang (CN)

(*) Notice: This patent is subject to a terminal disclaimer.

(**) Term: **15 Years**

(21) Appl. No.: **29/589,051**

(22) Filed: **Dec. 27, 2016**

(30) **Foreign Application Priority Data**

Jun. 28, 2016 (CN) 2016 3 02848227

(51) **LOC (11) Cl.** **07-01**

(52) **U.S. Cl.**
USPC **D7/511; D7/529; D7/532; D7/536**

(58) **Field of Classification Search**

USPC D7/507, 509, 510, 511, 523, 527, 529, D7/531, 532, 533, 534, 535, 536, 608, D7/300, 300.1; D34/39; D9/503, 907, D9/531; 220/592.16, 592.17, 495.03
CPC A47G 19/22; A47G 19/2205; A47G 19/2222; A45F 3/16; A45F 3/20; B67D 7/06; B67D 1/0004; B65D 25/14
See application file for complete search history.

(56) **References Cited**

U.S. PATENT DOCUMENTS

D262,856 S * 2/1982 MacTavish D7/320
D321,455 S * 11/1991 Duquaine, Jr. D7/326
D346,933 S * 5/1994 Denny D7/532

D356,925 S * 4/1995 Wonder D7/532
D362,369 S * 9/1995 Bridges D7/533
D397,912 S * 9/1998 Goessling, Jr. D7/532
D408,286 S * 4/1999 Rego Garcia De Alba ... D7/511
D494,425 S * 8/2004 Segura D7/608
D529,749 S * 10/2006 Allen D7/306
D530,141 S * 10/2006 Wilgus D7/313
D564,300 S * 3/2008 Liu D7/510
D584,566 S * 1/2009 Fuller D7/387
D634,160 S * 3/2011 Cetera D7/510
D641,594 S * 7/2011 Huang D7/608
D708,914 S * 7/2014 Moran, Sr. D7/608
8,777,040 B2 * 7/2014 Wahl B65D 43/16
215/237
D716,102 S * 10/2014 Morales D7/608
D759,500 S * 6/2016 Bell D9/443

(Continued)

Primary Examiner — Marianne Pandozzi

Assistant Examiner — Jae Liang

(74) *Attorney, Agent, or Firm* — Global IP Services;
Tianhua Gu

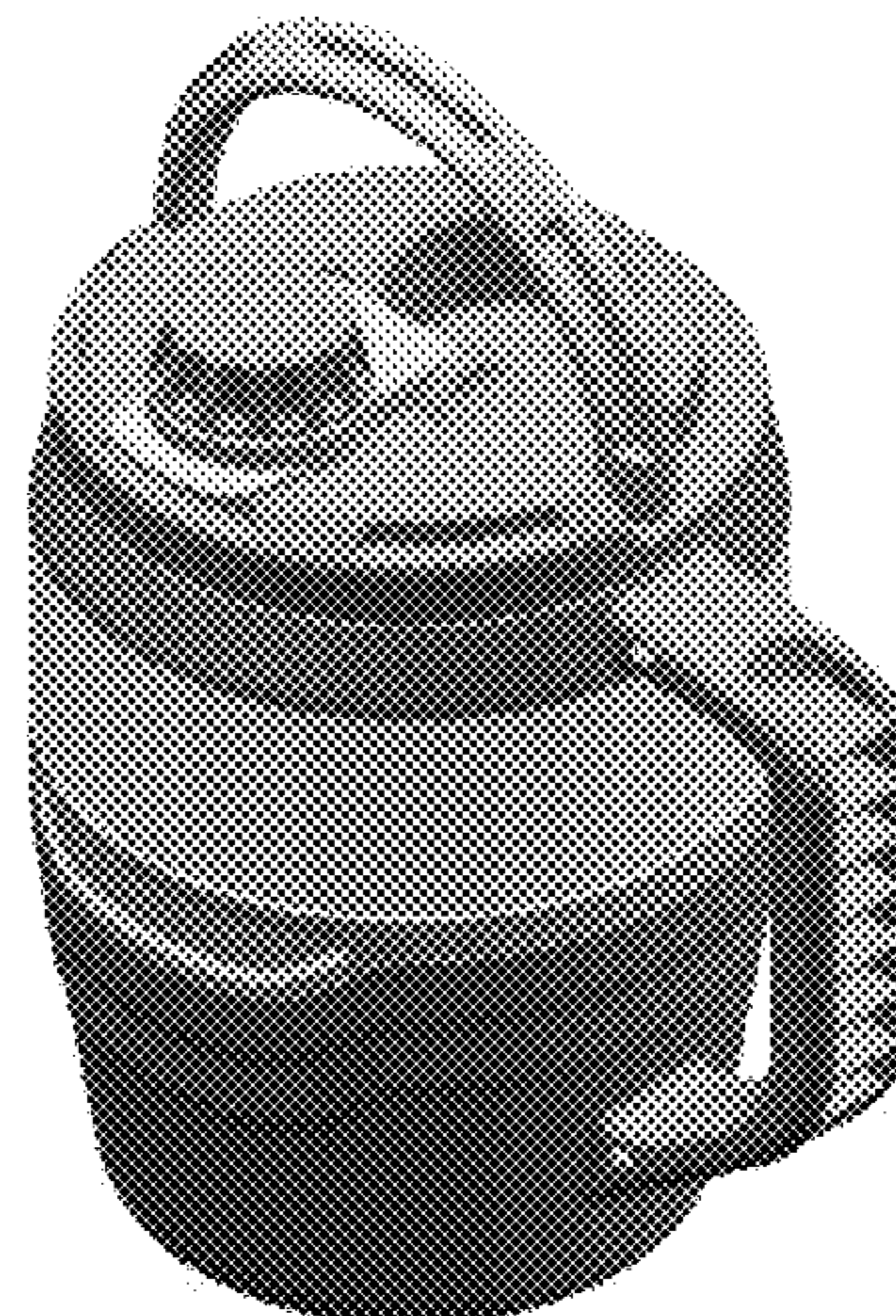
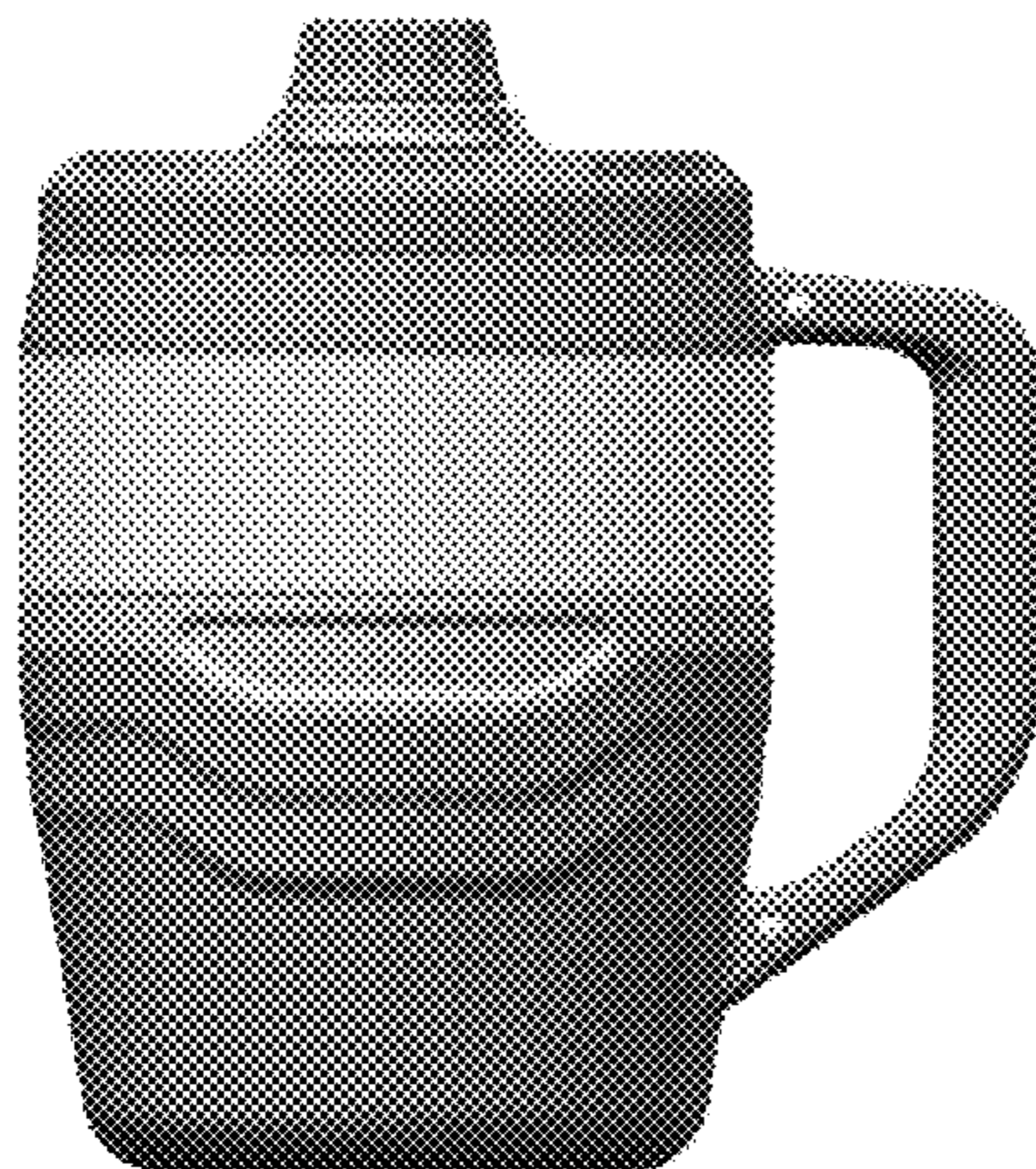
(57) **CLAIM**

The ornamental design for a beer barrel, as shown and described.

DESCRIPTION

FIG. 1 is a front elevation view of a beer barrel showing my new design;
FIG. 2 is a rear elevational view thereof;
FIG. 3 is a left side elevational view thereof;
FIG. 4 is a right side elevational view thereof;
FIG. 5 is a top plan view thereof;
FIG. 6 is a bottom plan view thereof;
FIG. 7 is a front perspective view thereof;
FIG. 8 is a front perspective view thereof with the lid in its opened position;
FIG. 9 is a front perspective view thereof with the handle in its extended position; and,
FIG. 10 is a bottom perspective view thereof.

1 Claim, 5 Drawing Sheets



(56)

References Cited

U.S. PATENT DOCUMENTS

D772,652 S * 11/2016 Yao D7/510
D784,093 S * 4/2017 Boroski D7/608

* cited by examiner

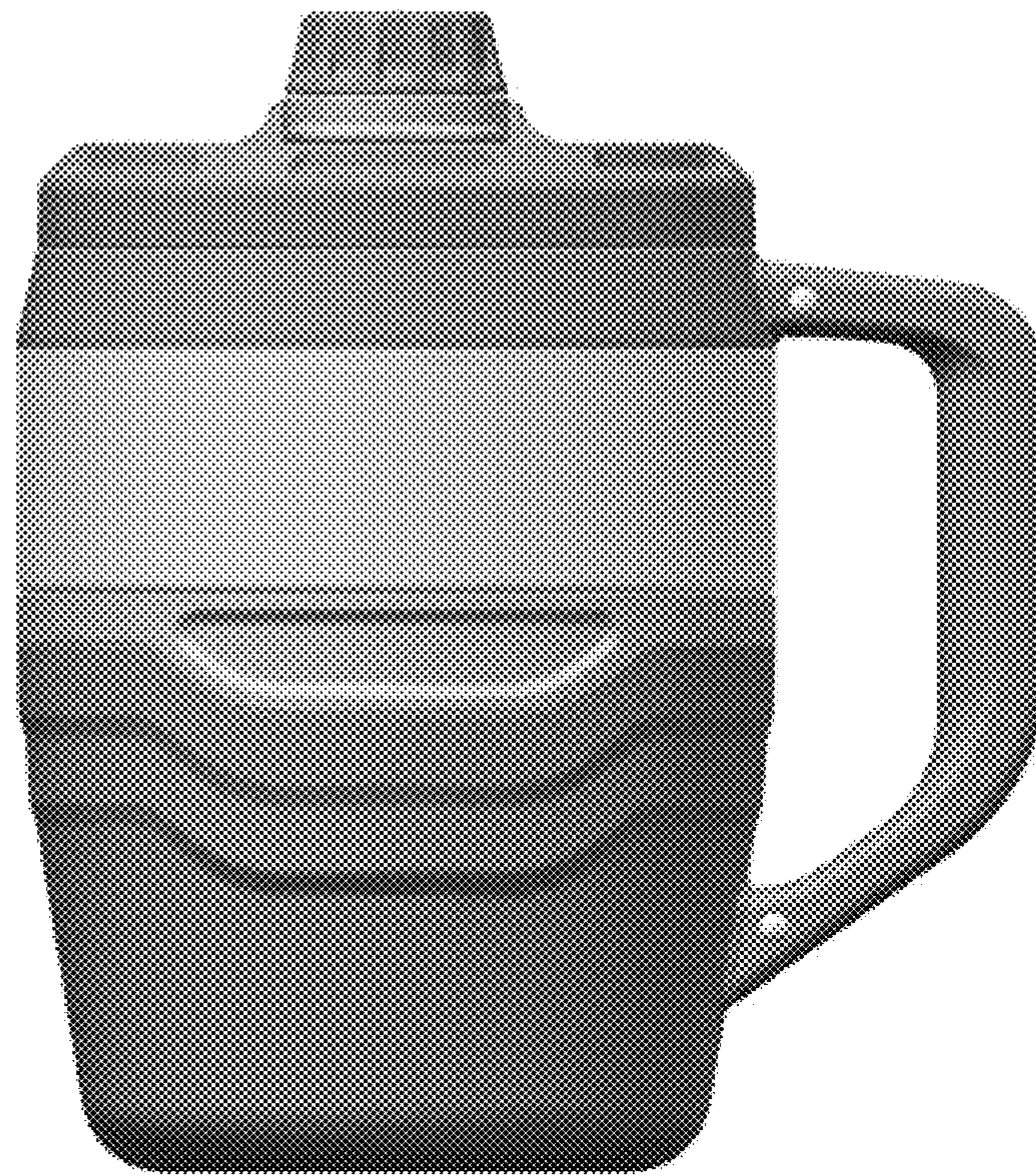


FIG. 1



FIG. 2



FIG. 3



FIG. 4

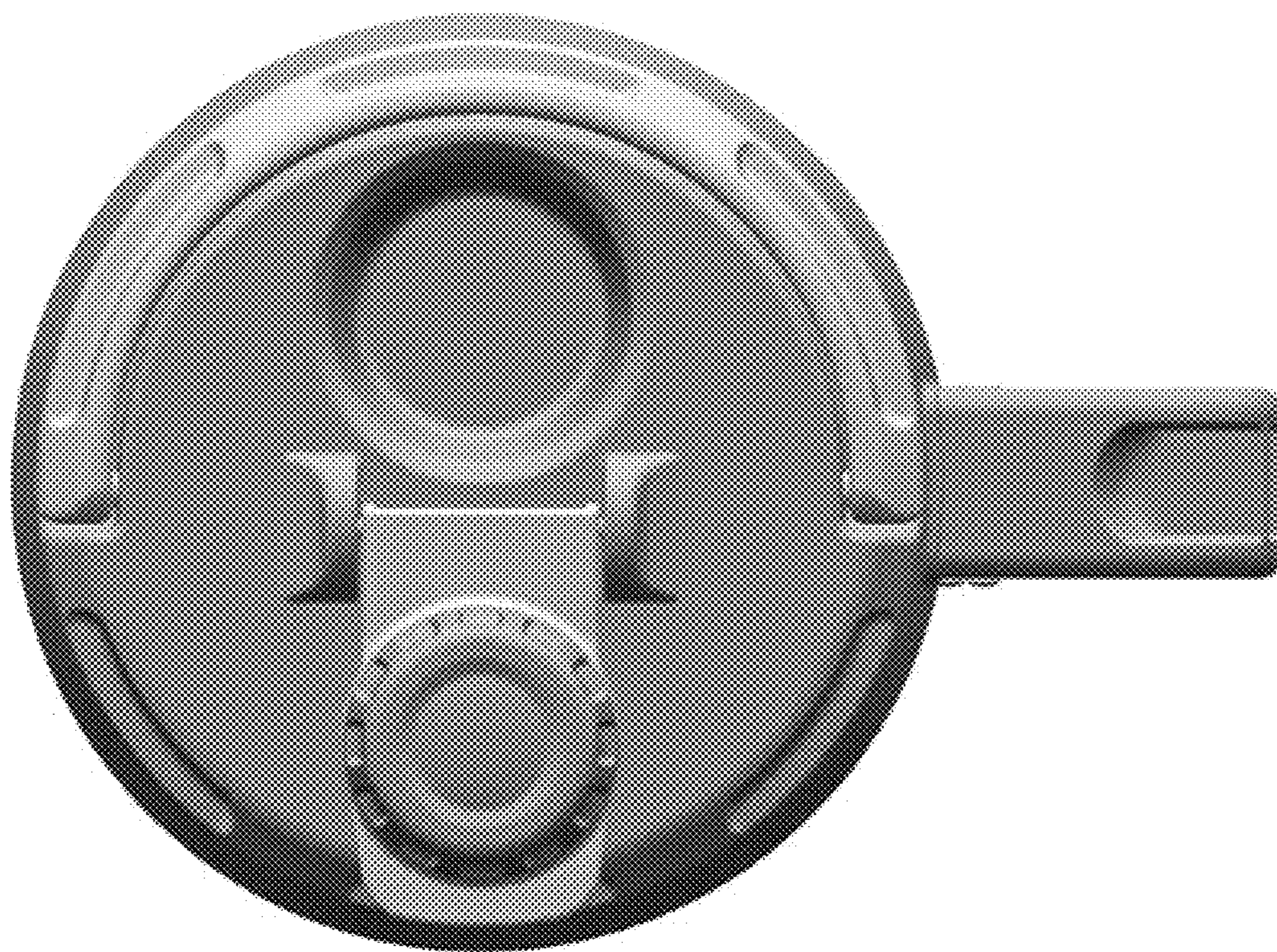


FIG. 5

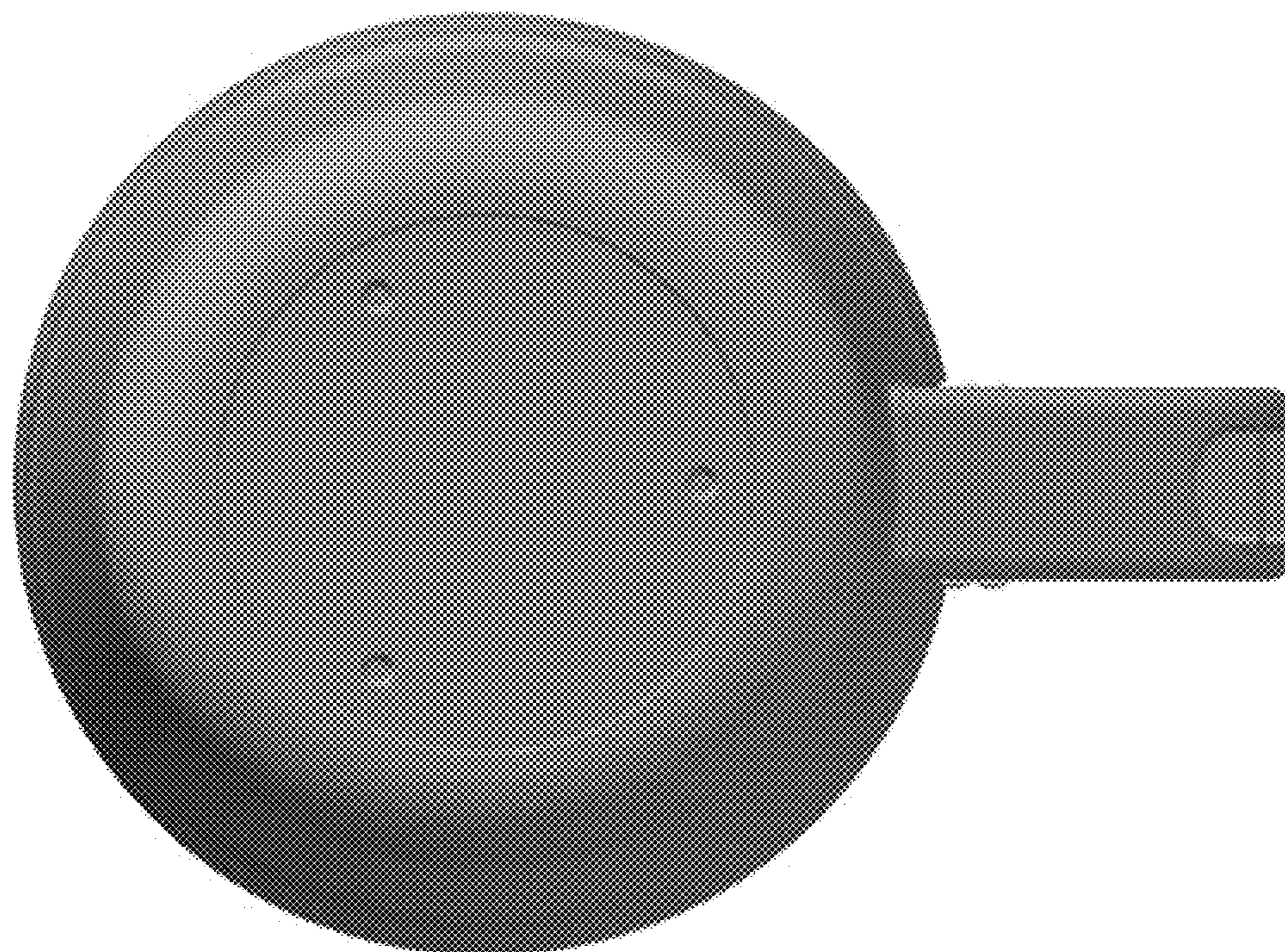


FIG. 6

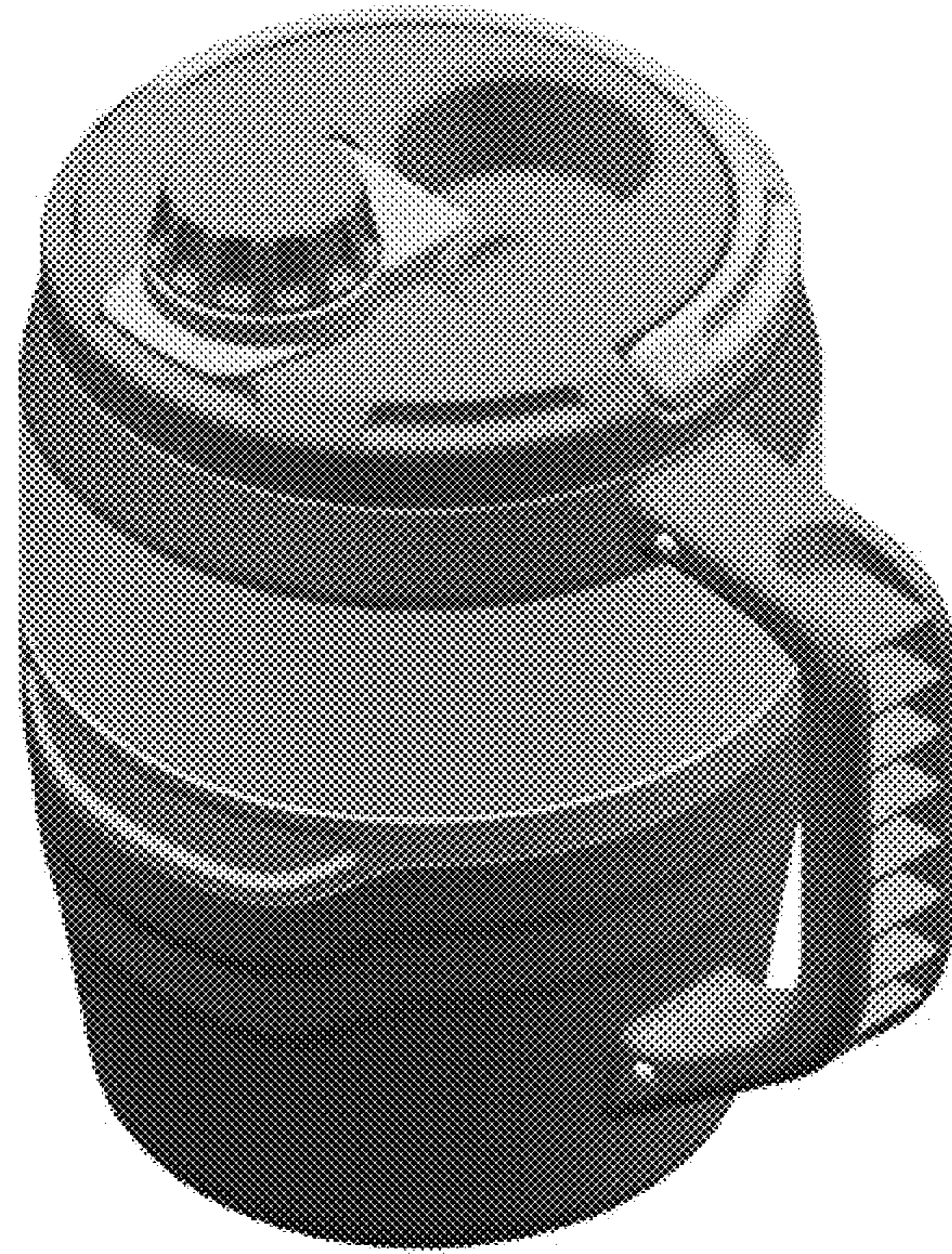


FIG. 7

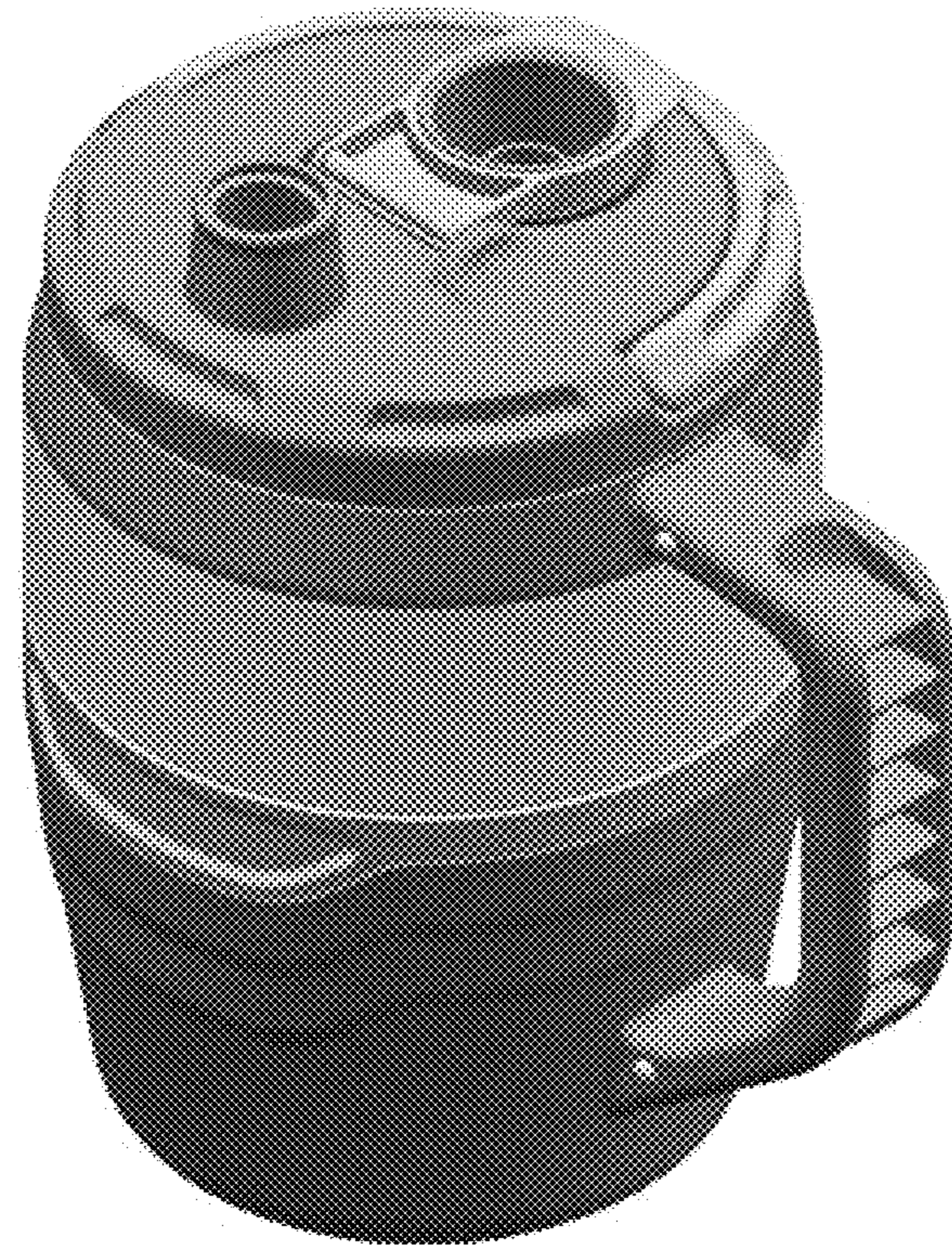


FIG. 8



FIG. 9

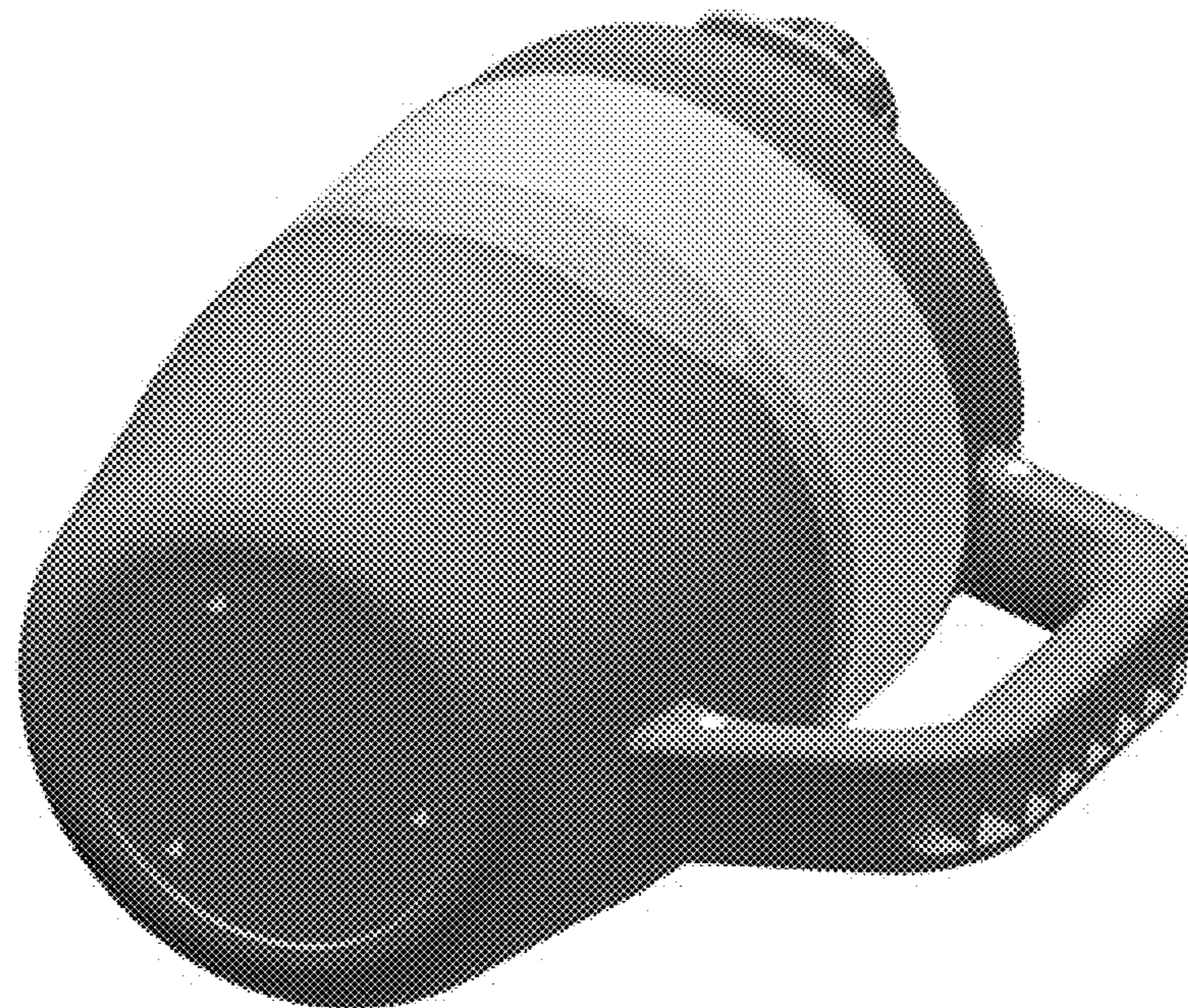


FIG. 10