



US00D815906S

(12) **United States Design Patent** (10) **Patent No.:** **US D815,906 S**  
**Yee et al.** (45) **Date of Patent:** **\*\* Apr. 24, 2018**

(54) **BOTTLE WITH CAP**  
(71) Applicant: **Dart Industries Inc.**, Orlando, FL (US)  
(72) Inventors: **Teo Sok Yee**, Singapore (SG); **Julie L. Yessin**, Winter Park, FL (US)  
(73) Assignee: **Dart Industries Inc.**, Orlando, FL (US)  
(\*\*) Term: **15 Years**  
(21) Appl. No.: **29/573,975**  
(22) Filed: **Aug. 11, 2016**  
(51) **LOC (11) Cl.** ..... **07-01**  
(52) **U.S. Cl.**  
USPC ..... **D7/511**; D7/510; D7/523; D7/531  
(58) **Field of Classification Search**  
USPC ..... D7/507, 509, 510, 511, 523, 527, 529,  
D7/531, 532, 533, 534, 535, 536, 608,  
D7/300, 300.1, 300.2; D34/39; D9/503,  
D9/907, 531, 435; 220/592.16, 592.17,  
220/495.03, 705-710  
CPC ..... A47G 19/22; A47G 19/2205; A47G  
19/2222; A45F 3/16; A45F 3/20; B67D  
7/06; B67D 1/0004; B65D 25/14  
See application file for complete search history.

(56) **References Cited**  
U.S. PATENT DOCUMENTS  
2,589,783 A 3/1952 Crossley et al.  
3,456,864 A \* 7/1969 Trombley ..... A47G 23/0216  
229/402  
5,431,276 A 7/1995 Lialin  
5,884,759 A 3/1999 Gueret  
D449,493 S \* 10/2001 Tardif ..... D7/608  
6,372,270 B1 4/2002 Denny  
D465,385 S 11/2002 Miller  
D475,578 S \* 6/2003 Hurlbut ..... D7/533  
6,705,490 B1 3/2004 Lizerhram et al.  
D491,021 S \* 6/2004 Webb ..... D7/523  
6,945,486 B2 9/2005 Teng

6,962,254 B2 11/2005 Spector  
7,147,174 B2 12/2006 Mansen  
7,367,519 B2 5/2008 de Groote et al.  
D570,648 S \* 6/2008 Bodum ..... D7/509  
7,422,170 B2 9/2008 Bao  
1,591,554 A1 5/2009 Ruzycky  
7,537,112 B2 5/2009 Balazik  
7,552,673 B2 6/2009 Levin  
7,562,732 B2 7/2009 Yorita  
7,568,576 B2 8/2009 Sweeney, Jr. et al.  
D606,369 S 12/2009 Ruzycky  
D623,473 S \* 9/2010 Chen ..... D7/510  
D626,379 S \* 11/2010 Furlong ..... D7/509  
D653,492 S \* 2/2012 Enghard ..... D7/300.1  
D667,269 S \* 9/2012 Pallotto ..... D7/510  
(Continued)

**OTHER PUBLICATIONS**

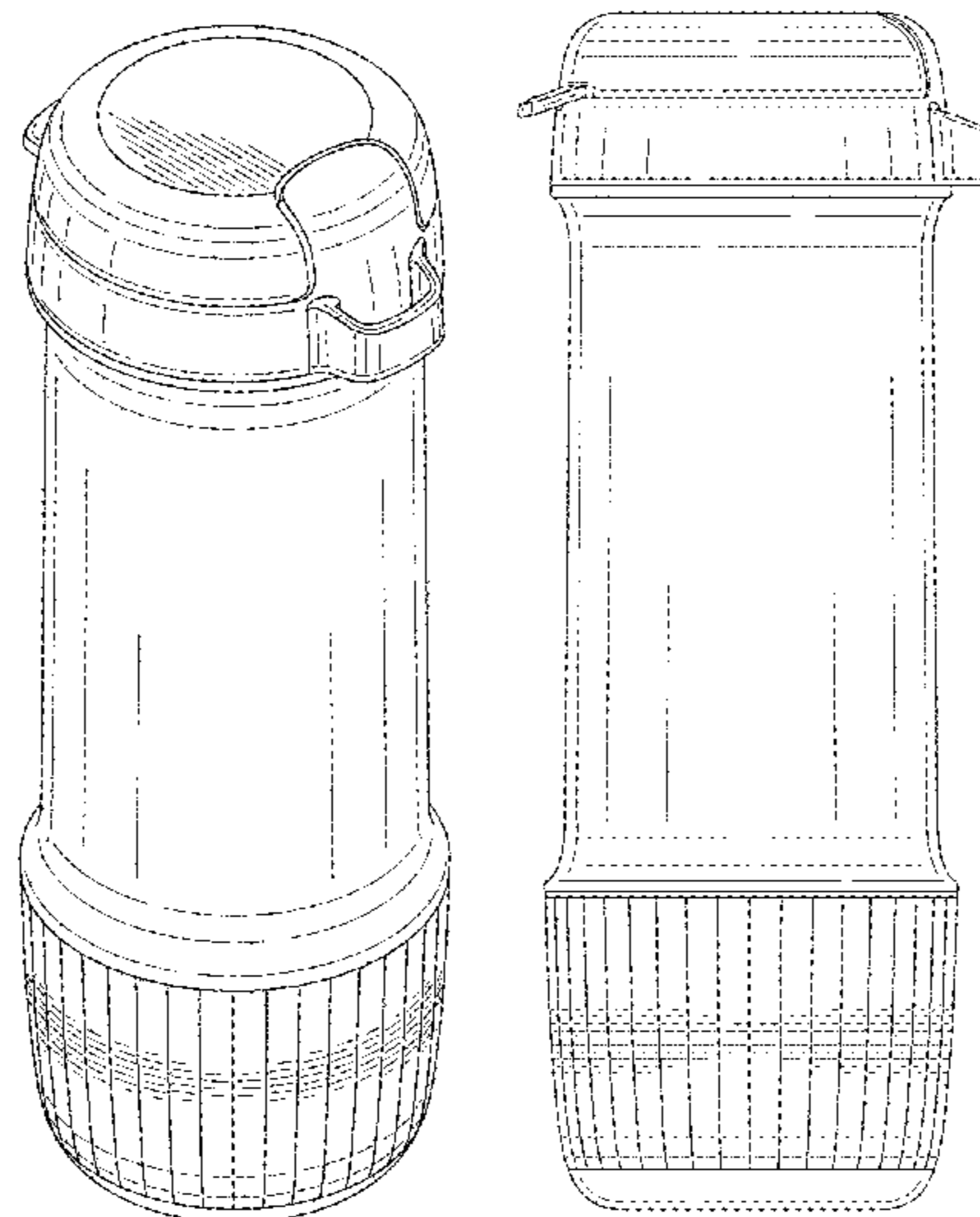
You Tube Video; <https://www.youtube.com/watch?v=fBgzo39-SI8>;  
Citrus Zinger, Zinganything; Aug. 3, 2012.  
*Primary Examiner* — Marianne N Pandozzi  
*Assistant Examiner* — Jae Liang  
(74) *Attorney, Agent, or Firm* — Taylor J. Ross

(57) **CLAIM**  
The ornamental design for a bottle with cap, as shown and described.

**DESCRIPTION**

FIG. 1 is a top, rear and left side perspective view of a bottle with cap showing our new design;  
FIG. 2 is a bottom, front and left side perspective view thereof;  
FIG. 3 is a top plan view thereof;  
FIG. 4 is a bottom plan view thereof;  
FIG. 5 is a left side elevational view thereof; the right side elevational view being a mirror image thereof;  
FIG. 6 is a rear elevational view thereof; and,  
FIG. 7 is a front elevational view thereof.

**1 Claim, 4 Drawing Sheets**



(56)

**References Cited**

U.S. PATENT DOCUMENTS

8,613,402	B2	12/2013	Lefkovitz	
8,740,116	B2	6/2014	Lefkovitz	
D763,622	S *	8/2016	Shirley .....	D7/511
D771,990	S *	11/2016	Horowitz .....	D7/300.1
D779,273	S *	2/2017	Lee .....	D7/510
2007/0204467	A1	9/2007	Livie	
2010/0031827	A1	2/2010	Lai	
2014/0004242	A1	1/2014	Lefkovitz	
2016/0376061	A1*	12/2016	Shirley .....	B65D 1/02 215/228

\* cited by examiner

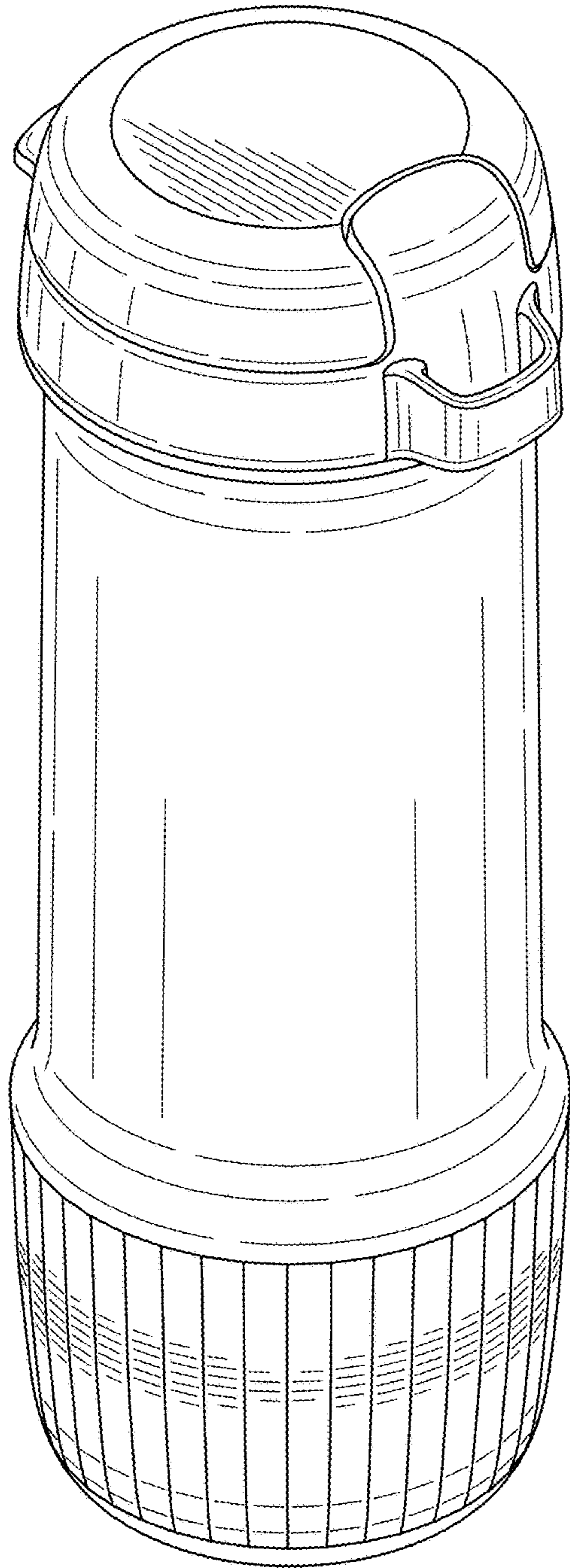
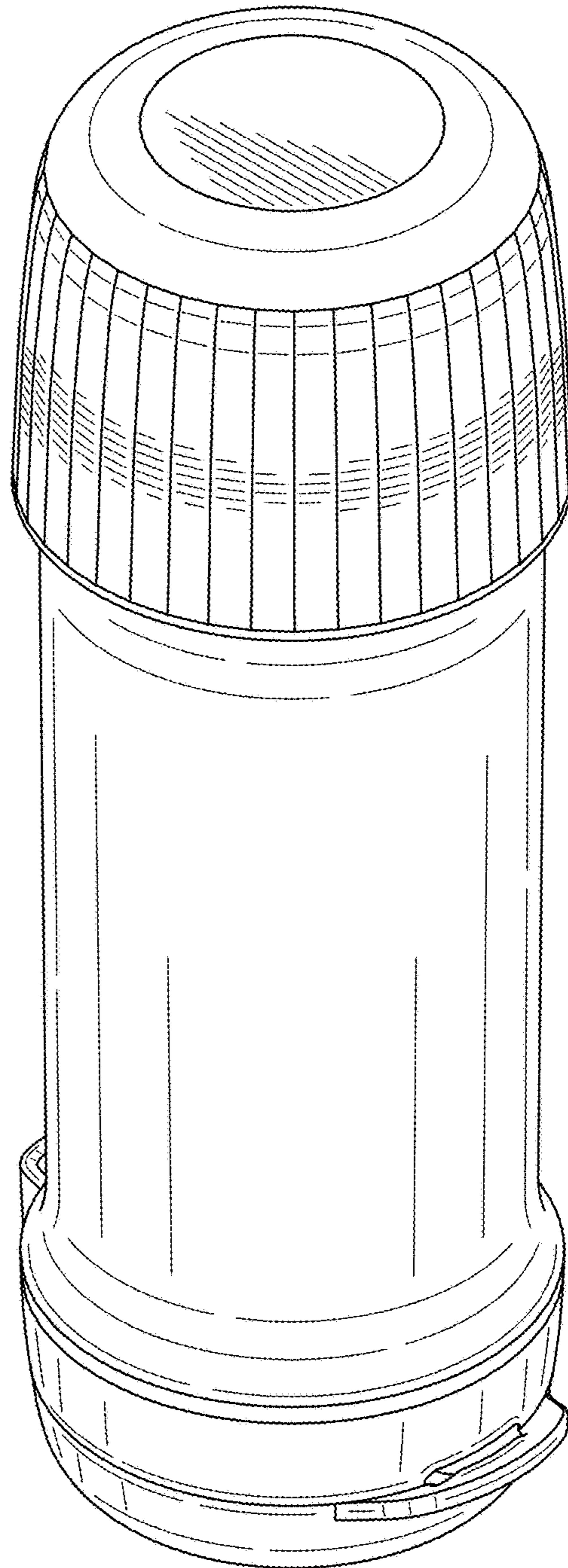


FIG. 1

FIG. 2



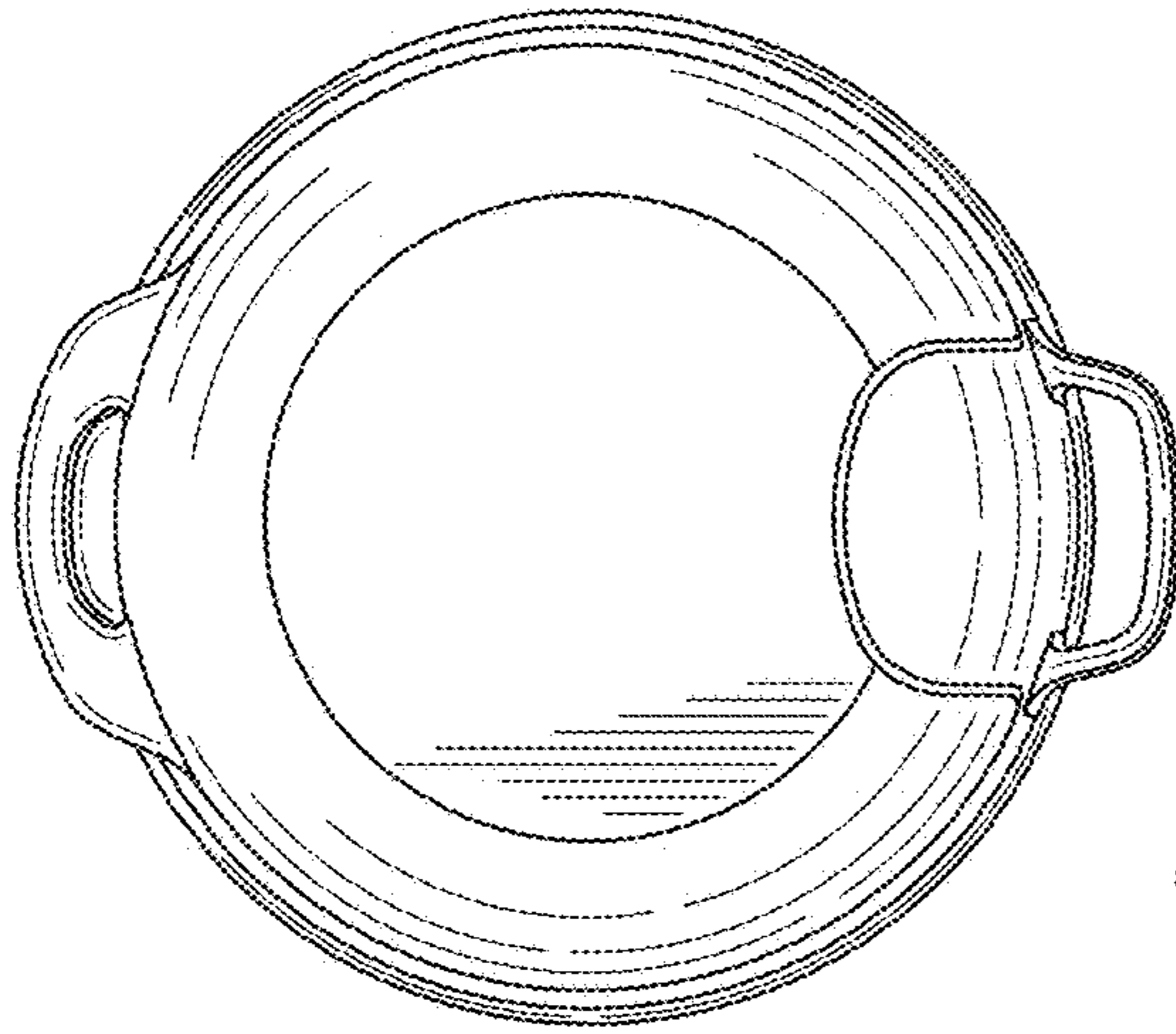
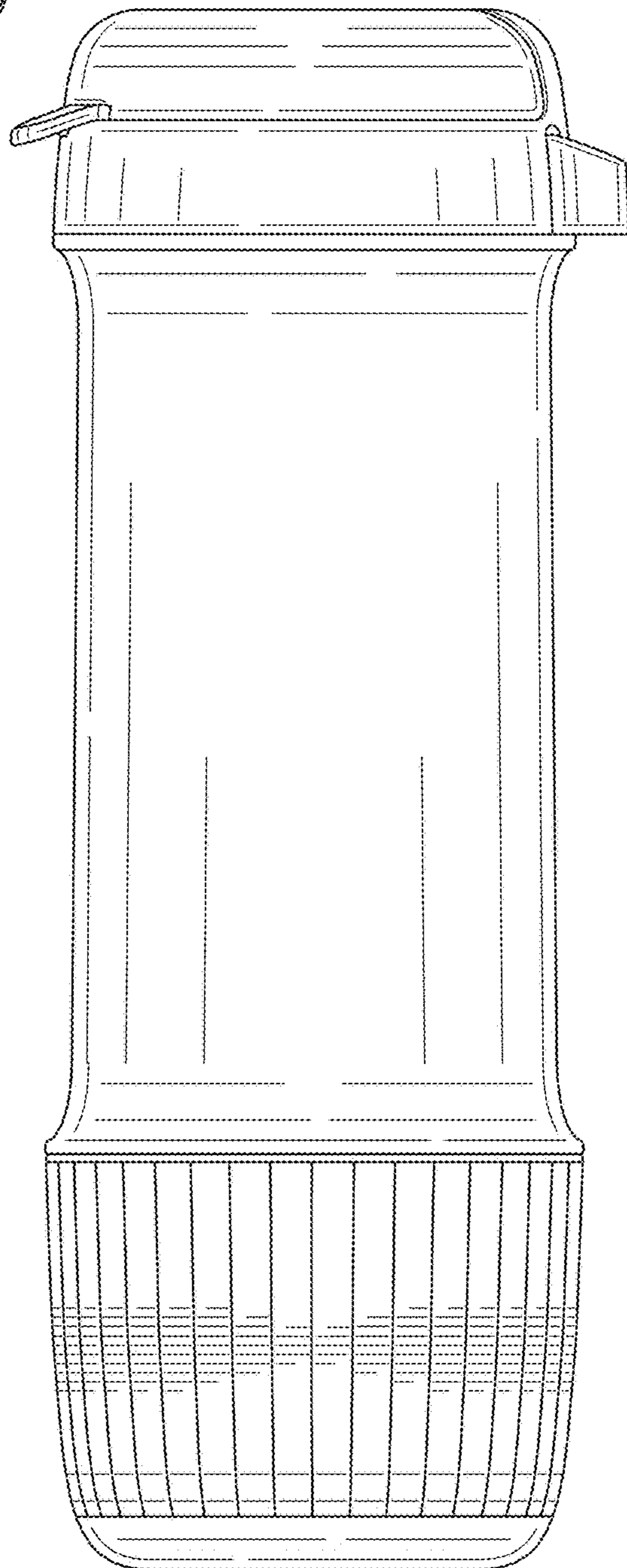


FIG. 5

FIG. 3



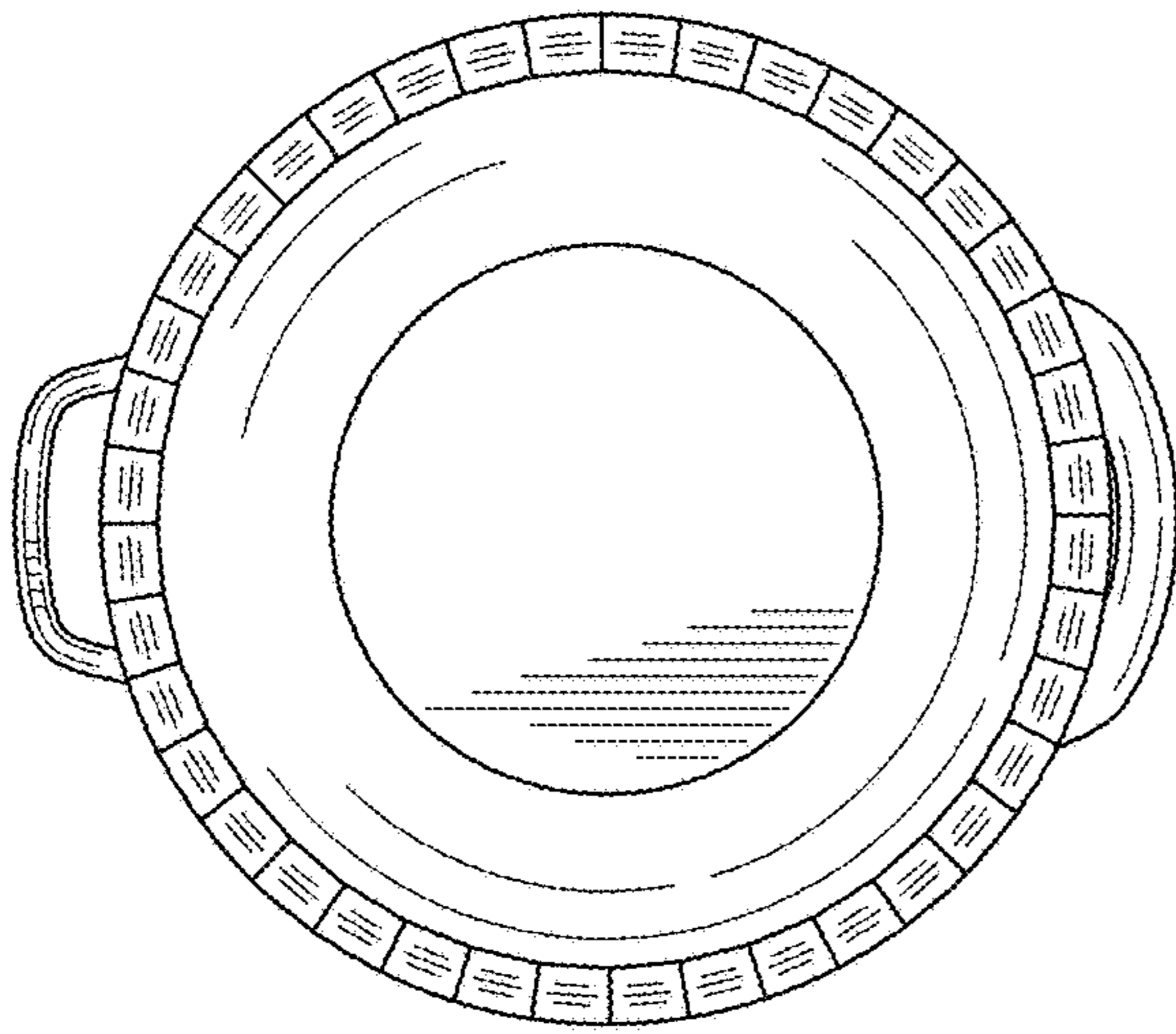


FIG. 4

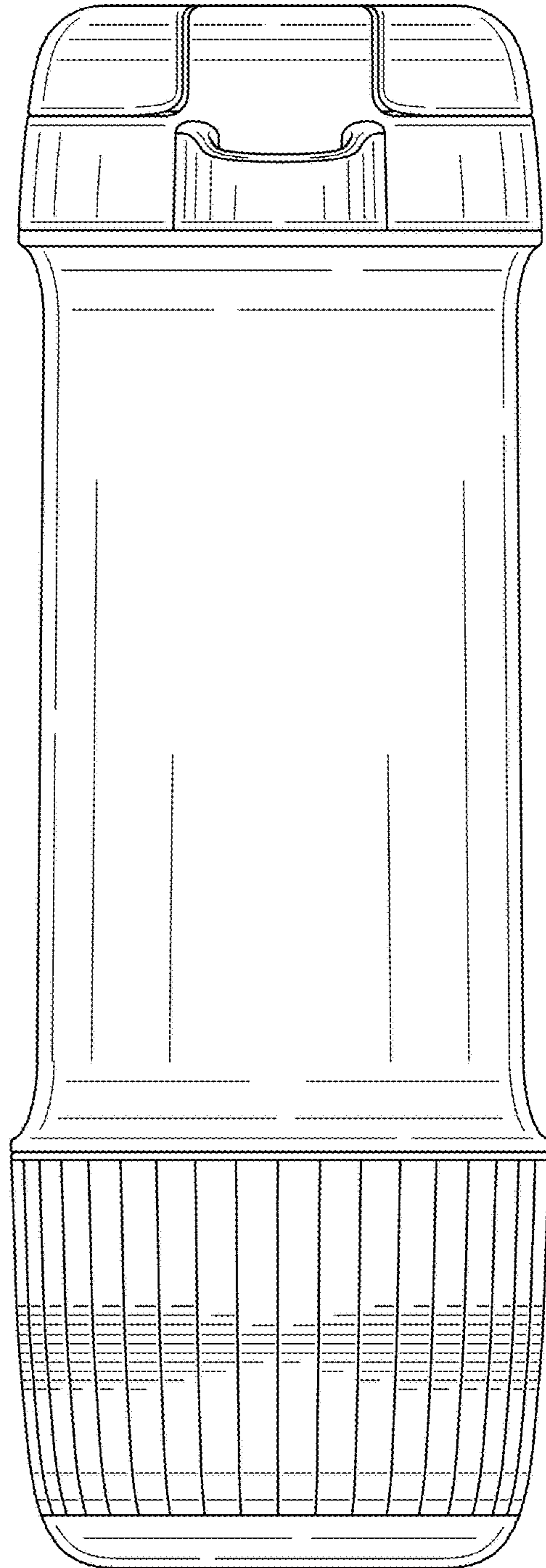


FIG. 6

FIG. 7

