



US00D815905S

(12) **United States Design Patent** (10) **Patent No.:** **US D815,905 S**  
**Schlegel et al.** (45) **Date of Patent:** **\*\* Apr. 24, 2018**

(54) **DRINKING CUP**

(71) Applicant: **Helen of Troy Limited**, Belleville, St. Michael (BB)

(72) Inventors: **Reid Schlegel**, Brooklyn, NY (US);  
**John Traub**, Brooklyn, NY (US)

(73) Assignee: **Helen of Troy Limited**, Belleville, St. Michael (BB)

(\*\*) Term: **15 Years**

(21) Appl. No.: **29/608,214**

(22) Filed: **Jun. 20, 2017**

**Related U.S. Application Data**

(62) Division of application No. 29/538,944, filed on Sep. 9, 2015, now Pat. No. Des. 793,167.

(51) **LOC (11) Cl.** ..... **07-01**

(52) **U.S. Cl.**  
USPC ..... **D7/510; D7/511; D7/532**

(58) **Field of Classification Search**  
USPC ..... D7/500, 501, 505, 507, 509, 510, 511, D7/512, 523, 532, 534, 608, 607, 550.1, D7/553.1, 553.2, 554.3, 555, 669, 667, D7/529, 530; D9/414, 430, 431, 740, D9/759, 756, 440, 551, 556, 559, 562, D9/569, 504, 503, 447, 523, 516, 541, D9/530, 563, 570, 565, 557, 552; D3/203.3, 203.2, 205, 283, 202, 288, 903, D3/901; D28/77, 83, 4; D19/77, 92, 81, D19/90, 95, 65, 102, 103, 105, 106, 107, D19/109; D6/301; 215/388, 387, 382; 220/703, 669, 667, 62.12, 592.16, 592.17, 220/666; D24/197

CPC .. A47G 19/30; A47G 19/022; A47G 23/0608; A47G 23/0633; A47G 23/06; A47G 2019/2277; A45F 2003/205; B65D 21/086; B65D 1/0292; Y10S 215/90

See application file for complete search history.

(56) **References Cited**

**U.S. PATENT DOCUMENTS**

D368,624	S	*	4/1996	Forrer	.....	D7/392.1
D387,247	S	*	12/1997	Randolph	.....	D7/510
D441,087	S	*	4/2001	Johansen	.....	D24/197
D559,622	S	*	1/2008	Carreno	.....	D7/510
D619,851	S	*	7/2010	Miller	.....	D24/197
D620,753	S	*	8/2010	Lane	.....	D7/510
D748,434	S	*	2/2016	Thalman	.....	D7/510
D748,435	S	*	2/2016	Thalman	.....	D7/510
D763,624	S	*	8/2016	Parker	.....	D7/510
D764,235	S	*	8/2016	Parker	.....	D7/510
2017/0065111	A1	*	3/2017	Phipps	.....	A47G 19/2272

\* cited by examiner

*Primary Examiner* — Marianne Pandozzi

*Assistant Examiner* — Jae Liang

(74) *Attorney, Agent, or Firm* — Rankin, Hill & Clark LLP

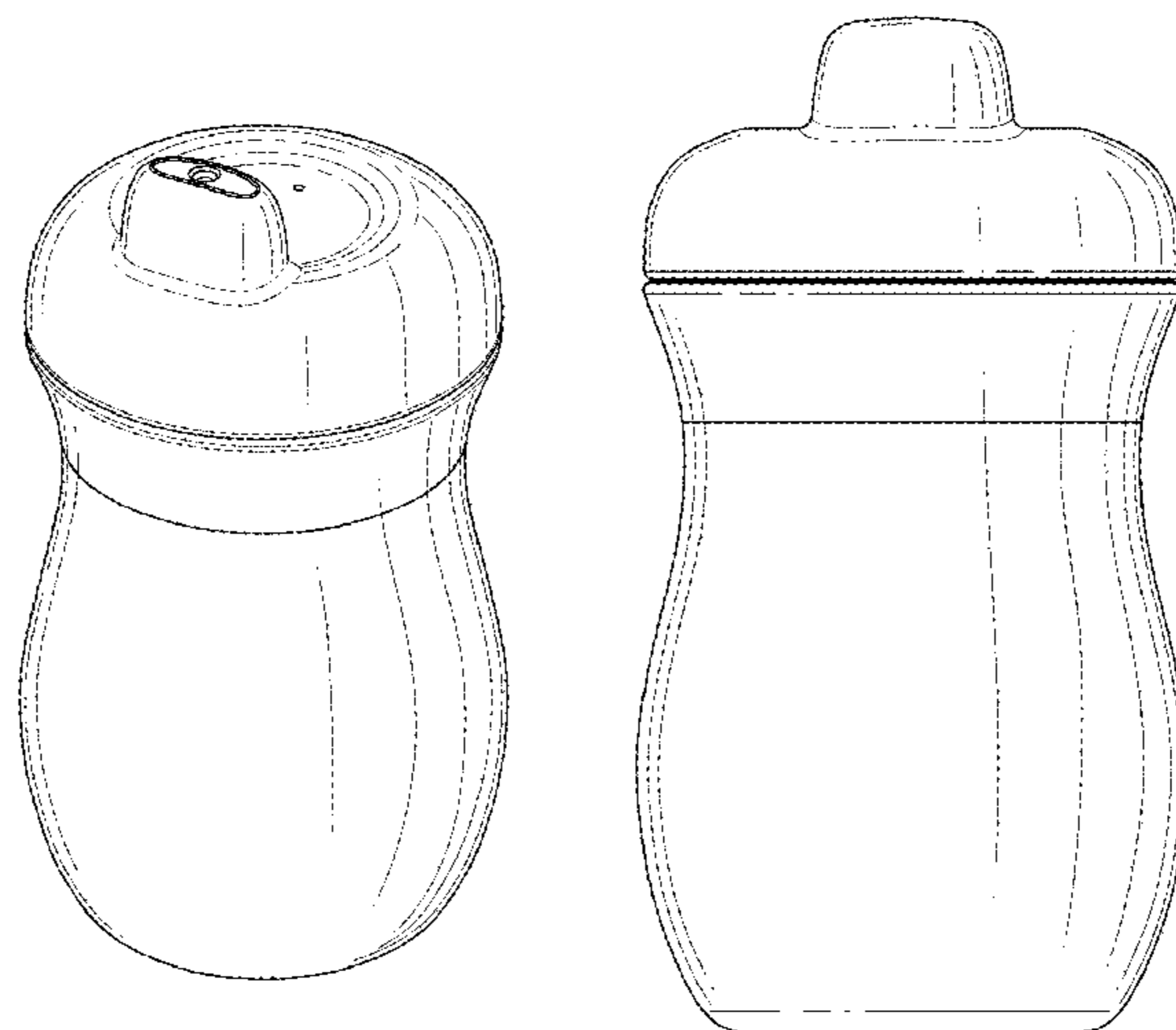
(57) **CLAIM**

The ornamental design for a drinking cup, as shown and described.

**DESCRIPTION**

FIG. 1 is a perspective view of a drinking cup showing our new design;  
FIG. 2 is a front elevational view thereof;  
FIG. 3 is a rear elevational view thereof;  
FIG. 4 is a right side elevational view thereof;  
FIG. 5 is a left side elevational view thereof;  
FIG. 6 is a top plan view thereof; and,  
FIG. 7 is a bottom plan view thereof.  
The broken lines in the drawings depict portions of the drinking cup that form no part of the claimed design.

**1 Claim, 7 Drawing Sheets**



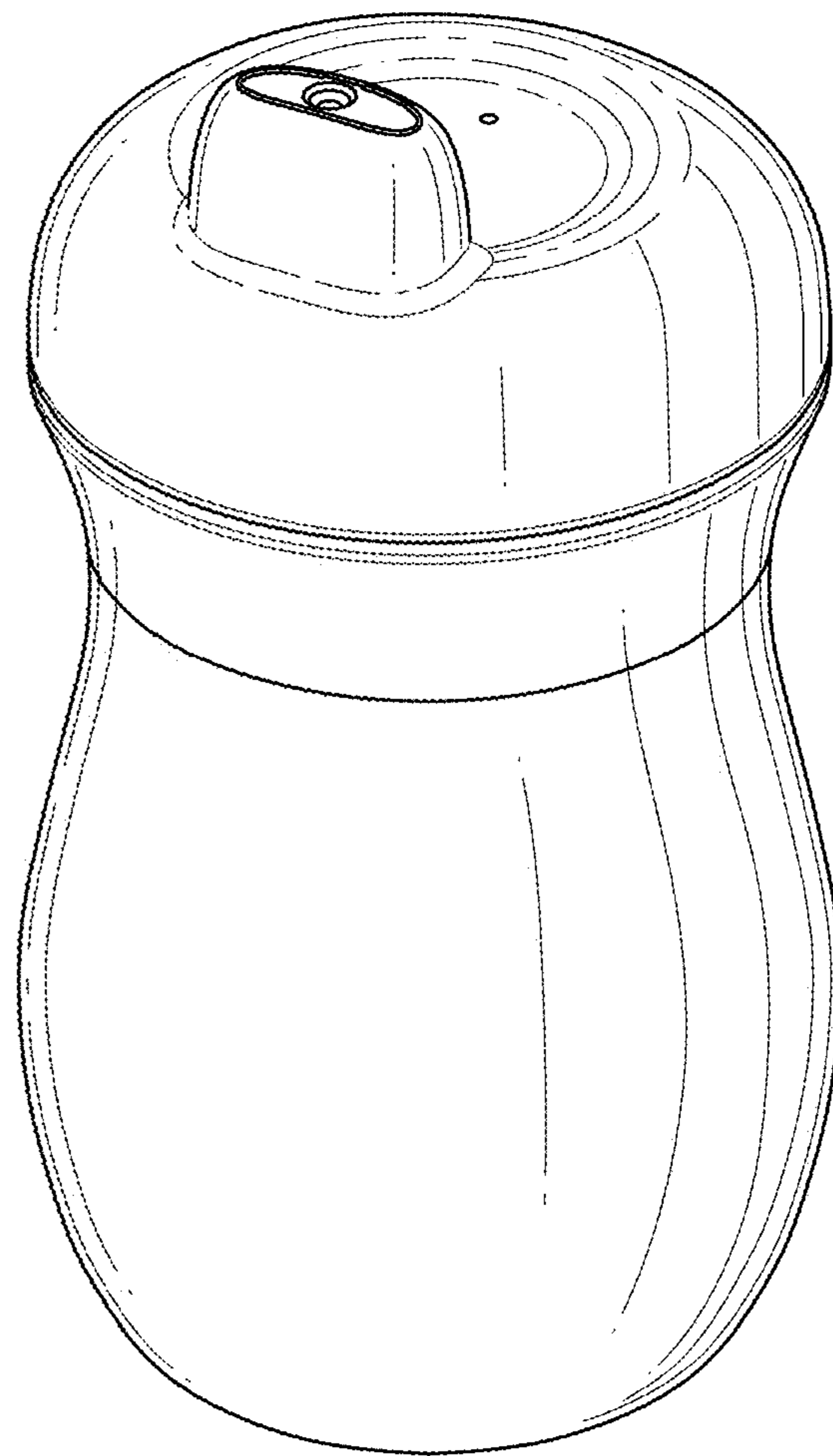


FIG. 1

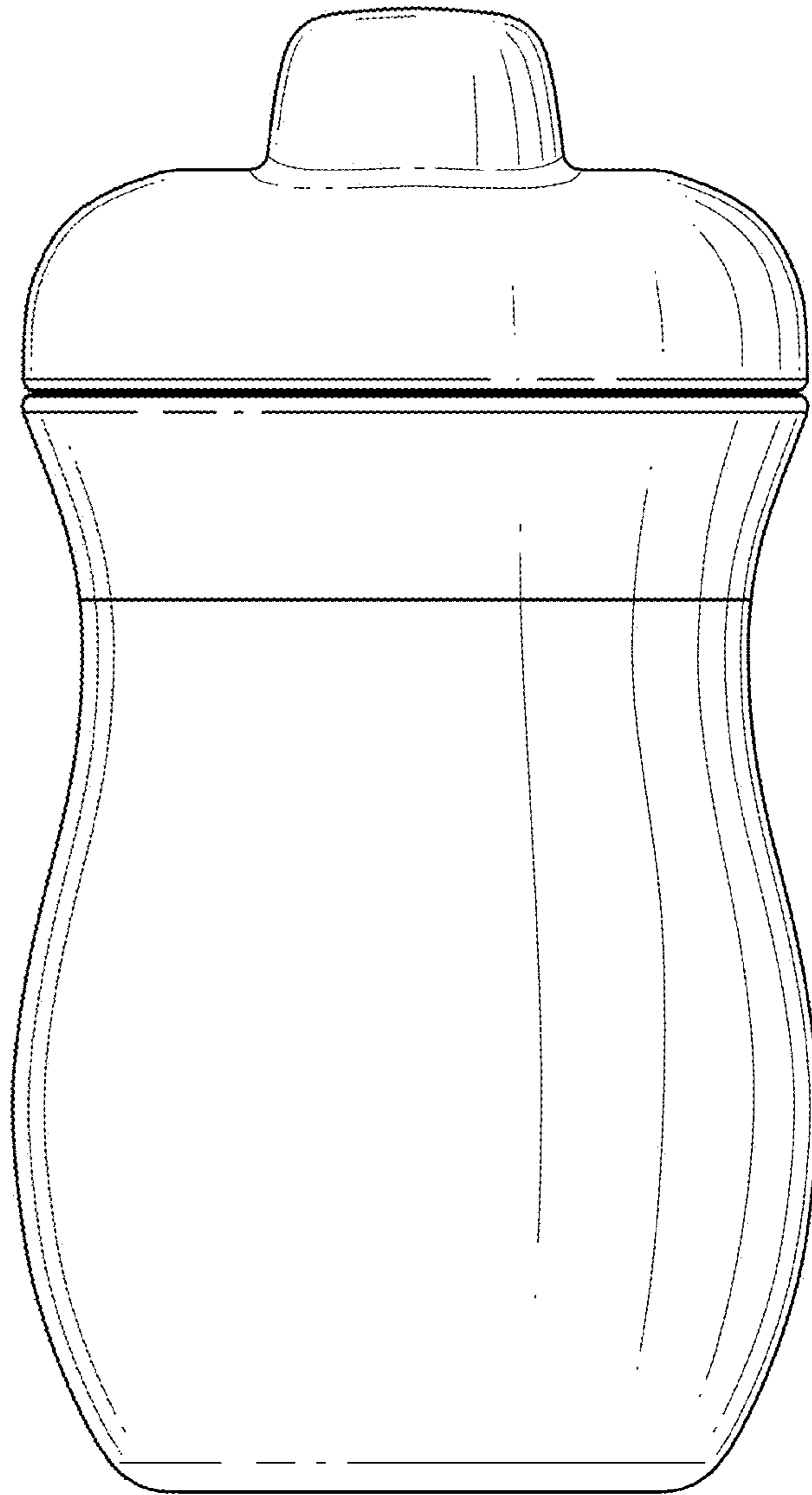


FIG. 2

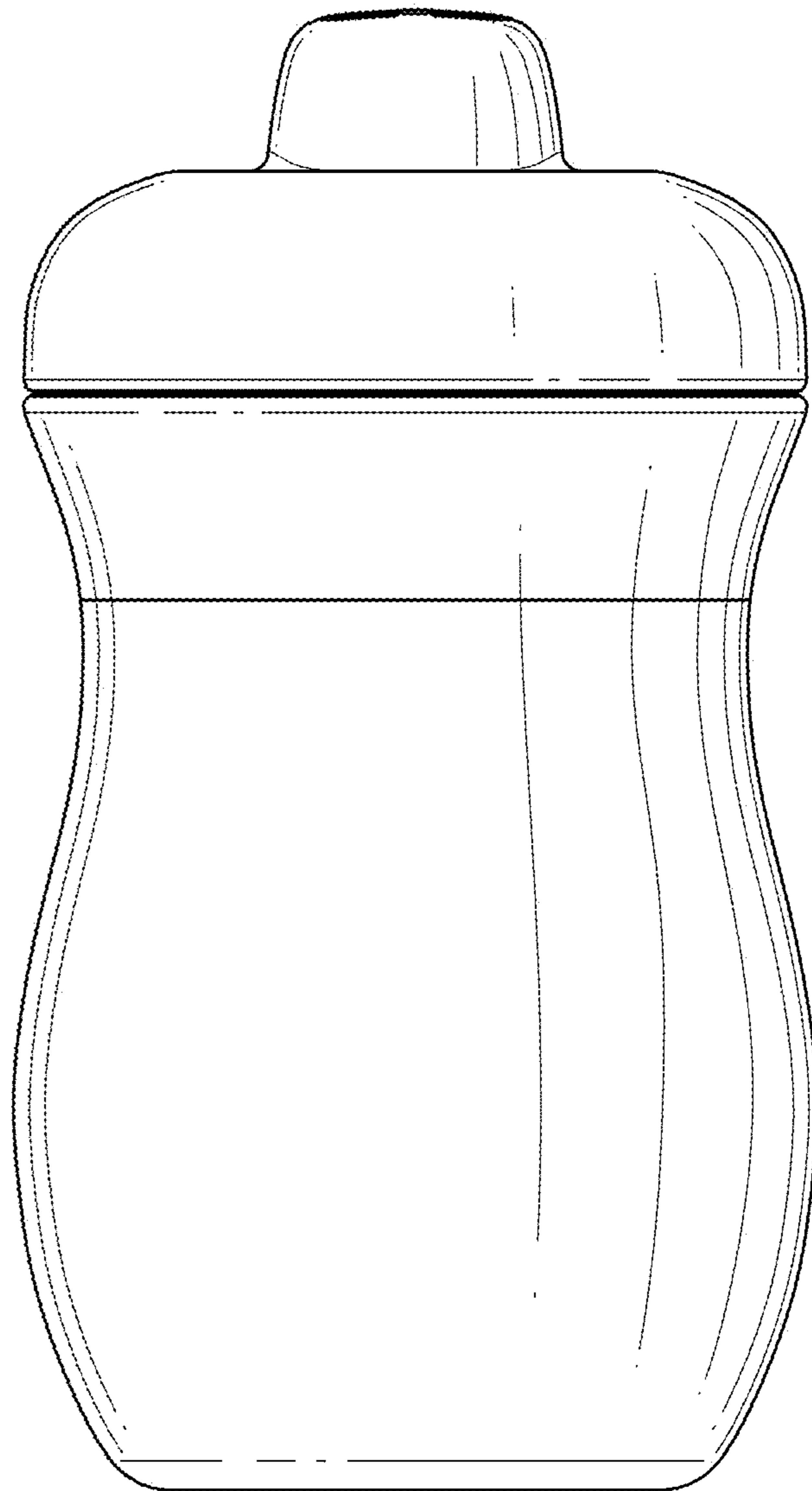


FIG. 3

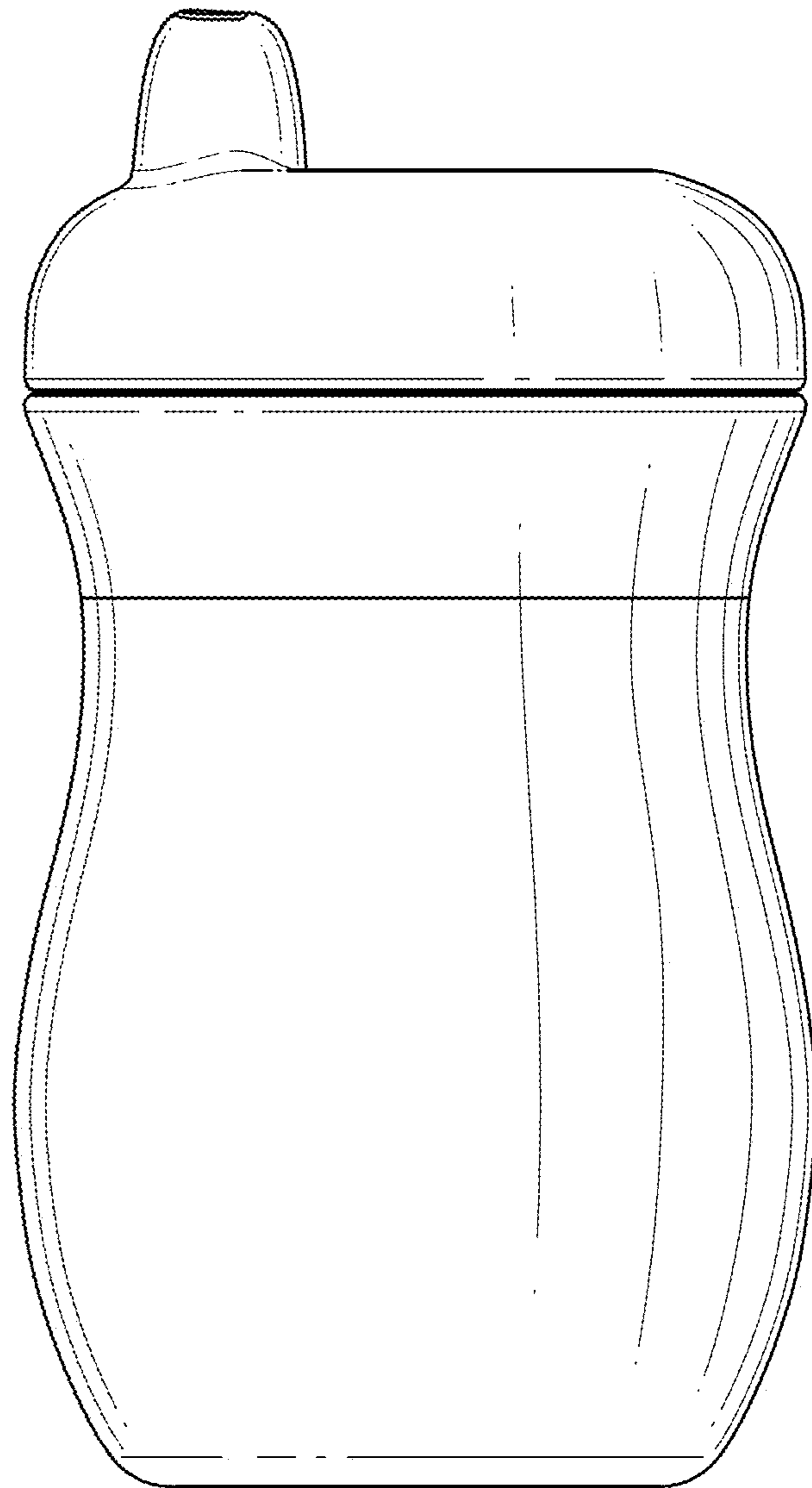


FIG.4

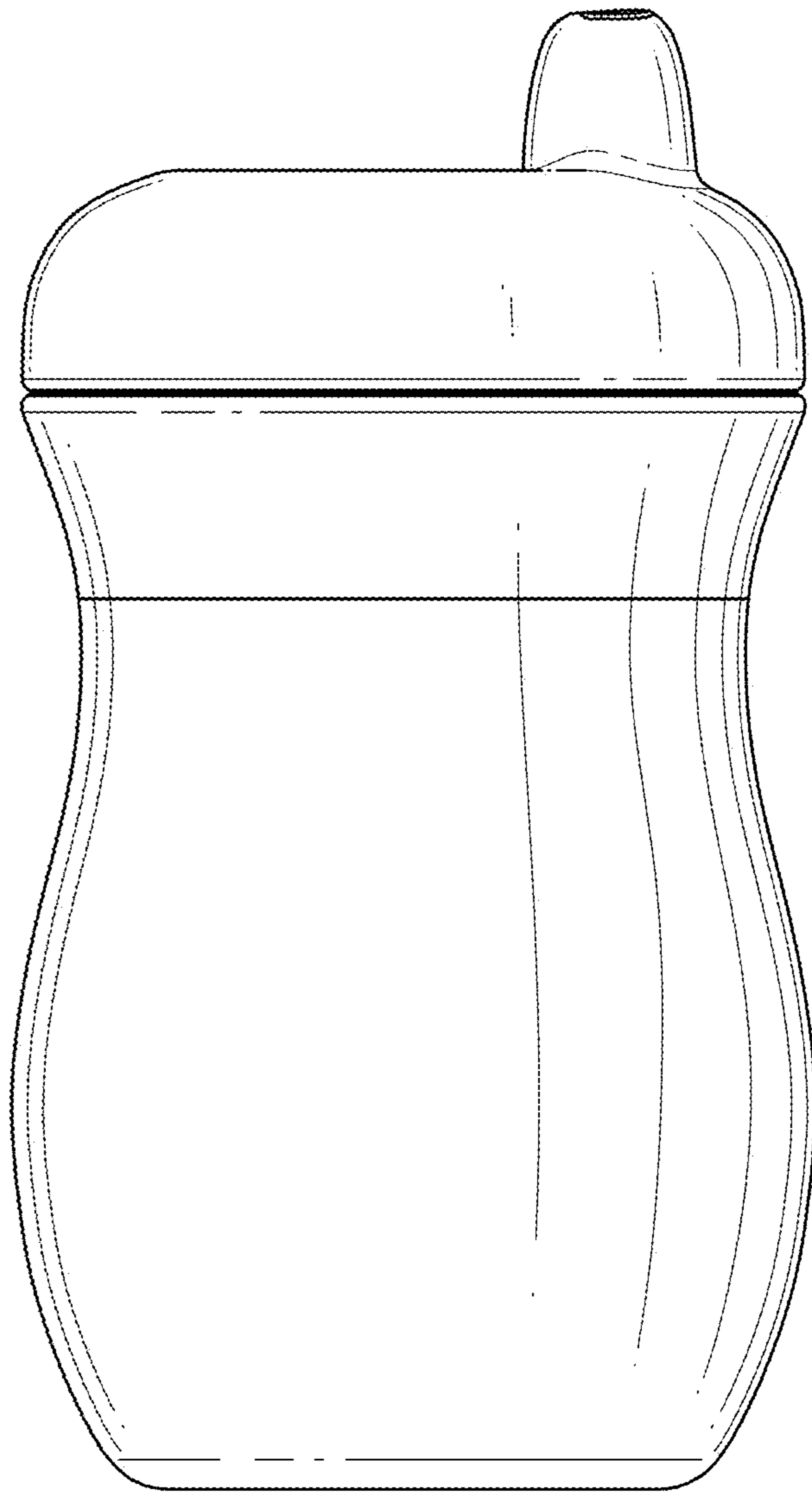


FIG. 5

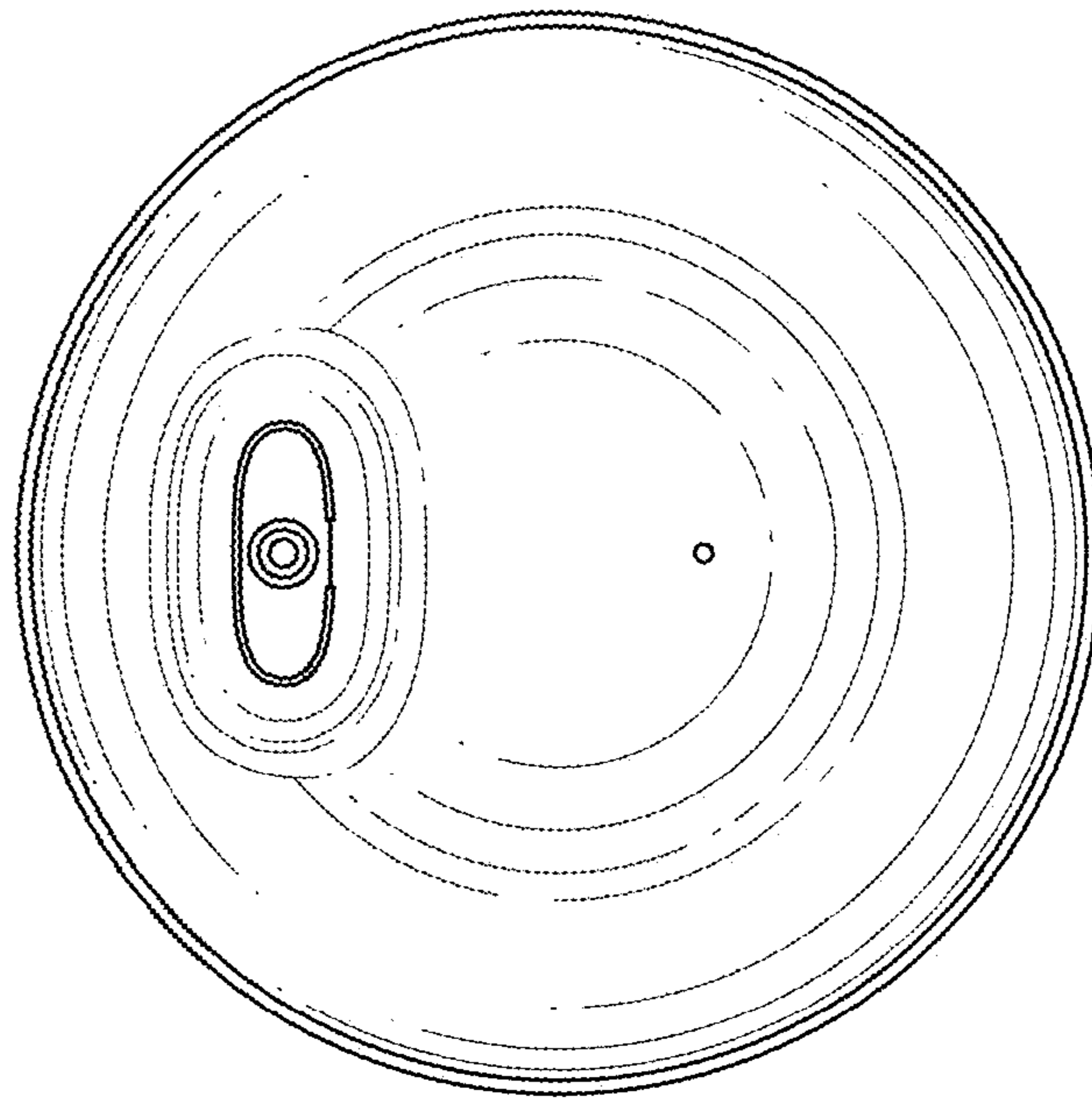


FIG. 6



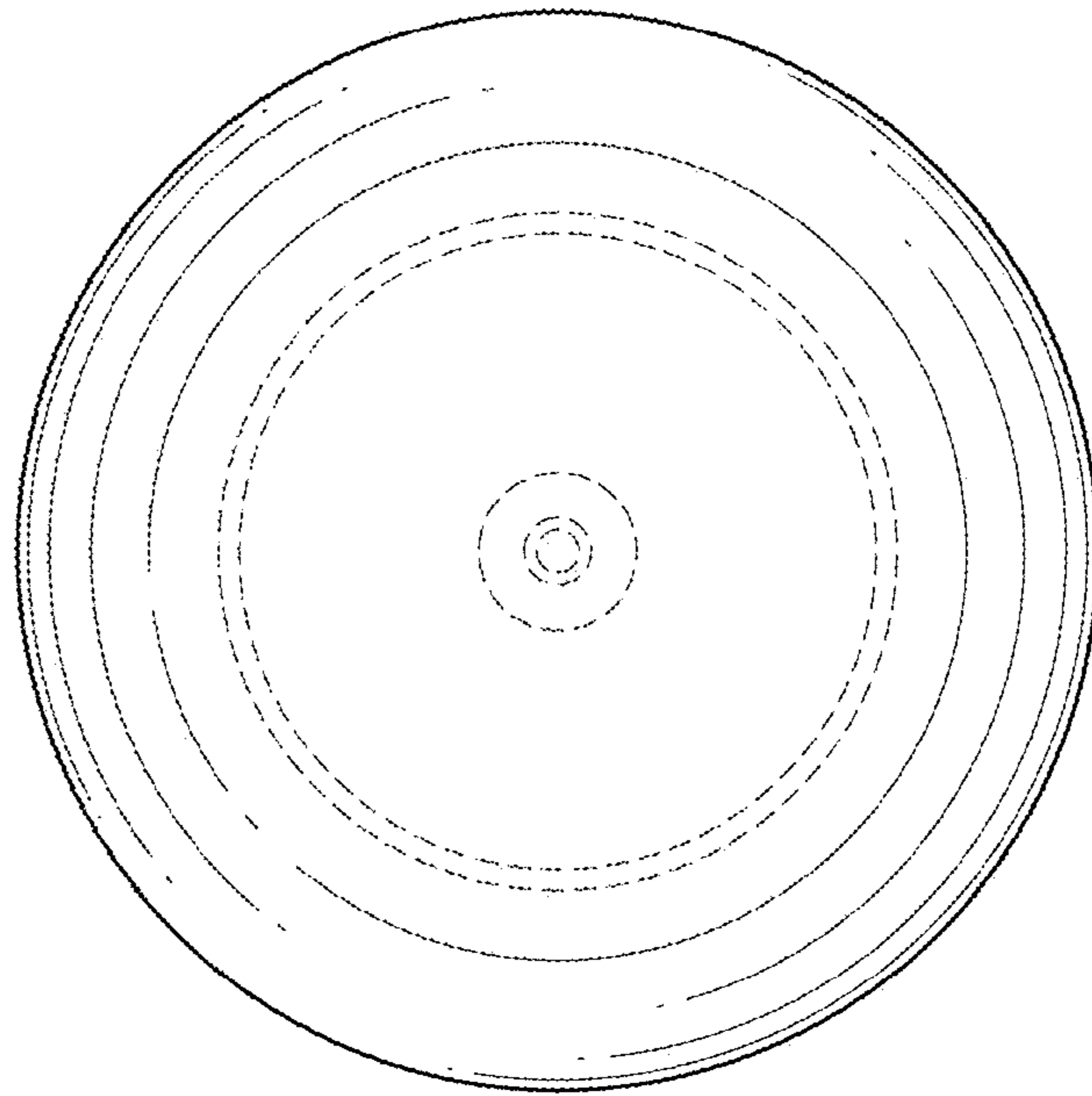


FIG. 7