



US00D815904S

(12) **United States Design Patent**
Lane

(10) **Patent No.:** **US D815,904 S**
(45) **Date of Patent:** **** Apr. 24, 2018**

- (54) **BEVERAGE CONTAINER**
- (71) Applicant: **THERMOS L.L.C.**, Schaumburg, IL (US)
- (72) Inventor: **Marvin Lane**, Wheeling, IL (US)
- (73) Assignee: **THERMOS L.L.C.**, Schaumburg, IL (US)
- (**) Term: **15 Years**
- (21) Appl. No.: **29/587,476**
- (22) Filed: **Dec. 13, 2016**
- (51) **LOC (11) Cl.** **07-01**
- (52) **U.S. Cl.**
USPC **D7/510; D7/536; D7/511**
- (58) **Field of Classification Search**
USPC D7/507, 509, 510, 511, 523, 527, 529, D7/531, 532, 533, 534, 535, 536, 608, D7/300, 300.1, 300.2; D34/39; D9/503, D9/907, 531, 435; 220/592.16, 592.17, 220/495.03, 705-710
CPC A47G 19/22; A47G 19/2205; A47G 19/2222; A45F 3/16; A45F 3/20; B67D 7/06; B67D 1/0004; B65D 25/14
See application file for complete search history.

(56) **References Cited**

U.S. PATENT DOCUMENTS

D202,643 S *	10/1965	Hoyt, Jr.	D7/536
D225,432 S *	12/1972	Gulotta	D7/536
D308,800 S *	6/1990	Durand	D7/521
D314,308 S *	2/1991	Cogswell	D10/2
5,323,928 A *	6/1994	Stevens	A47G 19/2266
				206/217
5,454,482 A *	10/1995	Simon	A47G 19/2272
				220/373
D365,965 S *	1/1996	Yeh	D7/533

D479,951 S *	9/2003	Segura	D7/608
D524,107 S *	7/2006	El-Saden	D7/523
D549,523 S *	8/2007	Montes	D7/509
D562,077 S *	2/2008	Bhavnani	D7/533
D569,191 S *	5/2008	Germany	D7/509
D571,150 S *	6/2008	Franco	D7/507
D578,351 S *	10/2008	Pearson	D7/509
D597,378 S *	8/2009	Poindexter	D7/536
D650,235 S *	12/2011	Eyal	D7/510
D651,853 S *	1/2012	Eyal	D7/510
D651,855 S *	1/2012	Elsaden	D7/510
D661,948 S *	6/2012	Bangert	A47G 19/2205
				D7/535
D662,361 S *	6/2012	Eyal	D7/510
D696,790 S *	12/2013	Nemeth	D24/224
D697,758 S *	1/2014	Chiriga	D7/507
D739,233 S *	9/2015	Antal, Sr.	D9/435
D749,948 S *	2/2016	Groglopo Favetto	D9/443

(Continued)

Primary Examiner — Marianne Pandozzi

(74) *Attorney, Agent, or Firm* — Polsinelli PC

(57) **CLAIM**

The ornamental design for a beverage container, as shown and described.

DESCRIPTION

FIG. 1 is a perspective view of a beverage container showing my new design;

FIG. 2 is a front view of the beverage container;

FIG. 3 is a rear view of the beverage container;

FIG. 4 is a right side view of the beverage container;

FIG. 5 is a left side view of the beverage container;

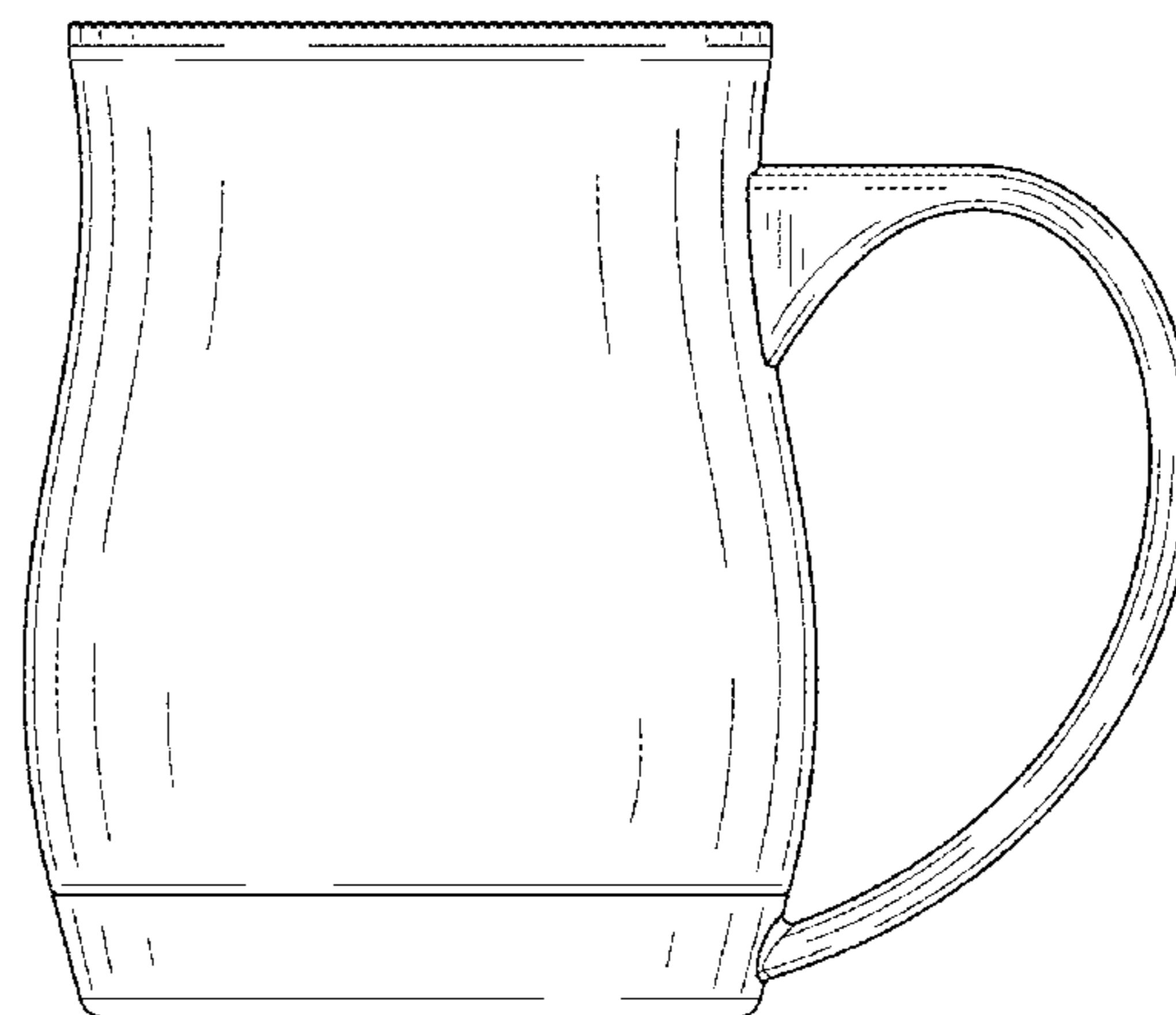
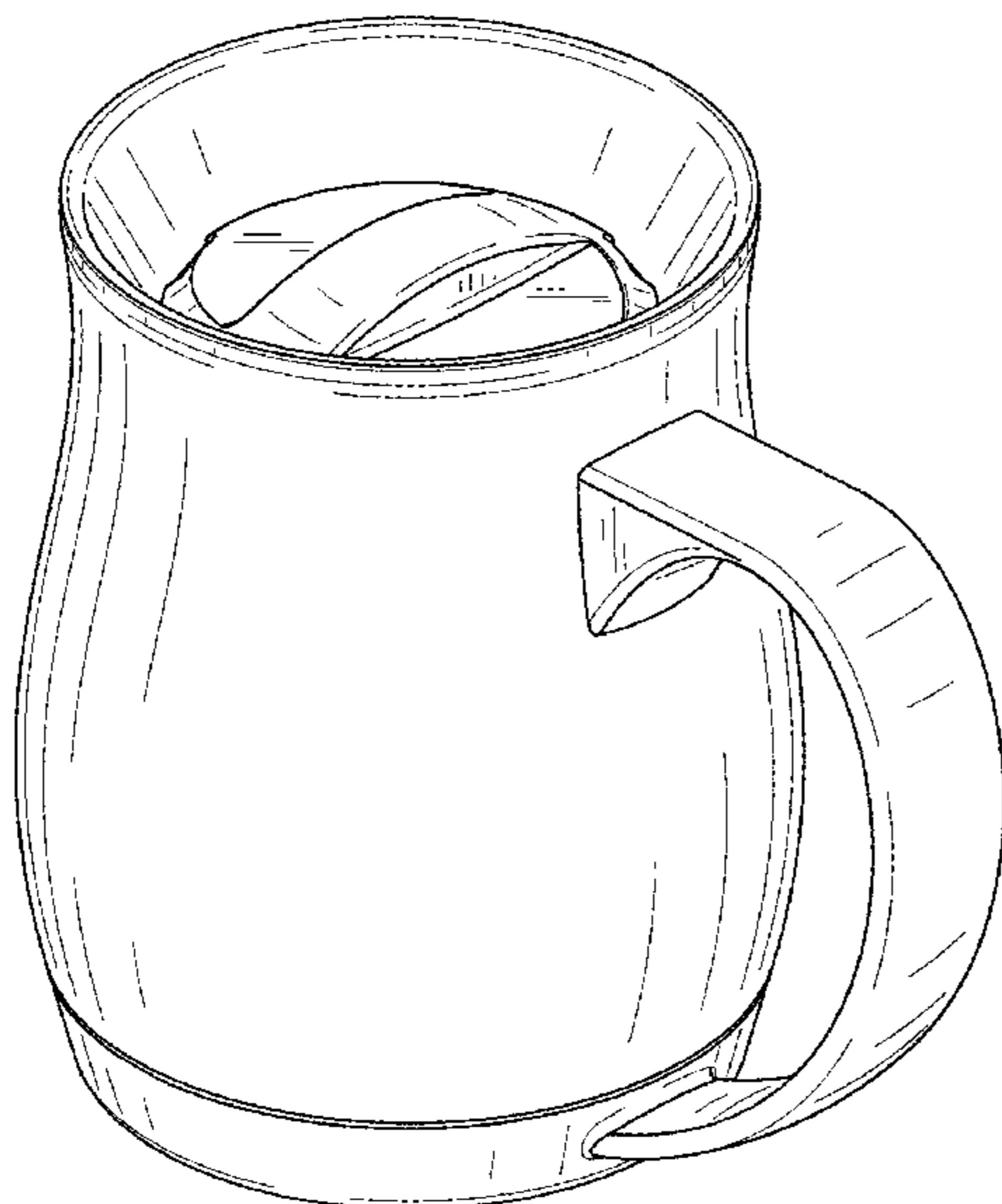
FIG. 6 is a top view of the beverage container; and,

FIG. 7 is a bottom view of the beverage container.

The broken lines in the drawing depict portions of the beverage container that form no part of the claimed design.

The dash-dot lines in the drawing represent the bounds of the claim and form no part of the claimed design.

1 Claim, 4 Drawing Sheets



(56)

References Cited

U.S. PATENT DOCUMENTS

2004/0251259 A1* 12/2004 Copeland A47G 19/2205
220/630
2005/0103794 A1* 5/2005 Liu A47G 19/22
220/703

* cited by examiner



FIG. 1

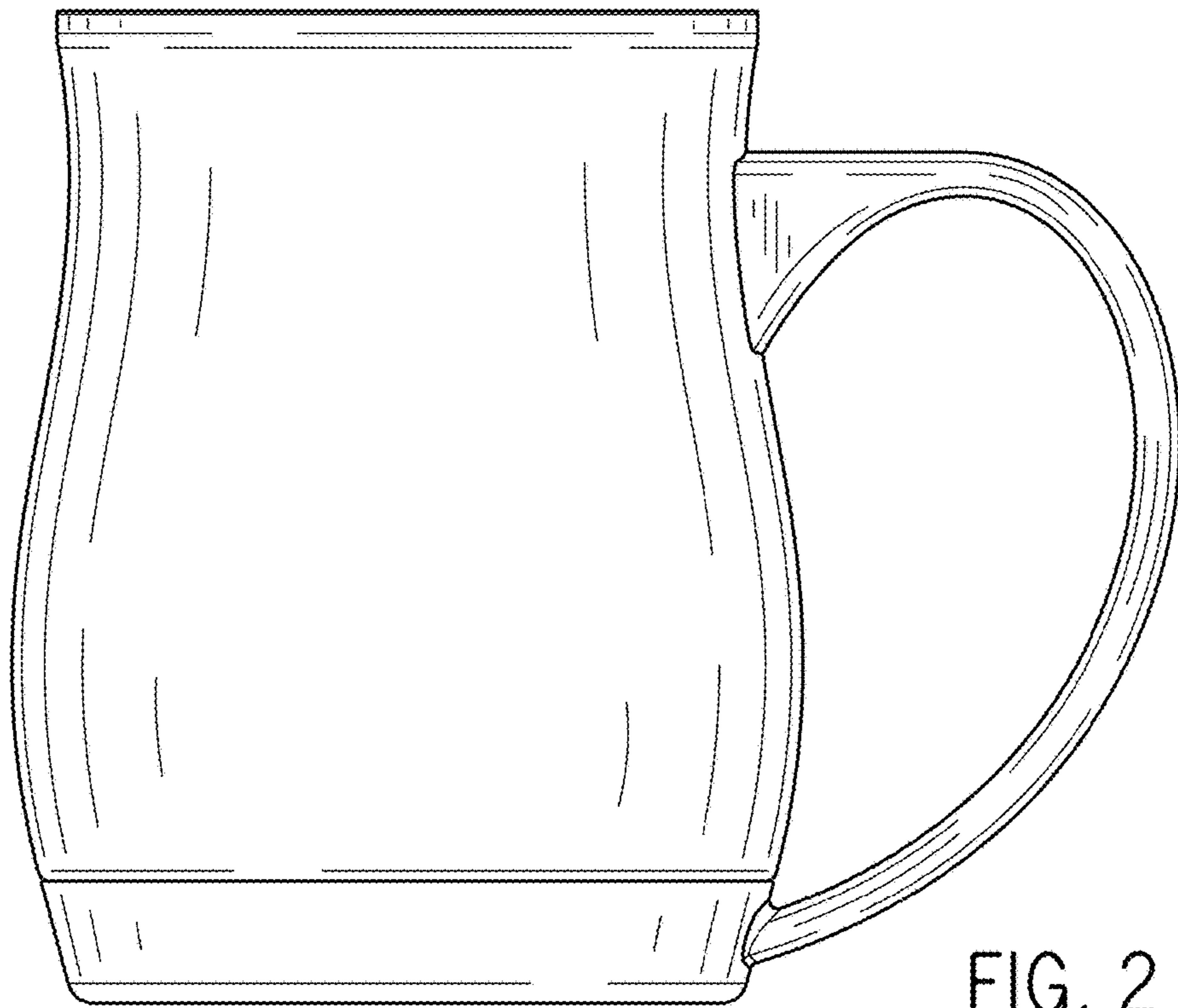


FIG. 2

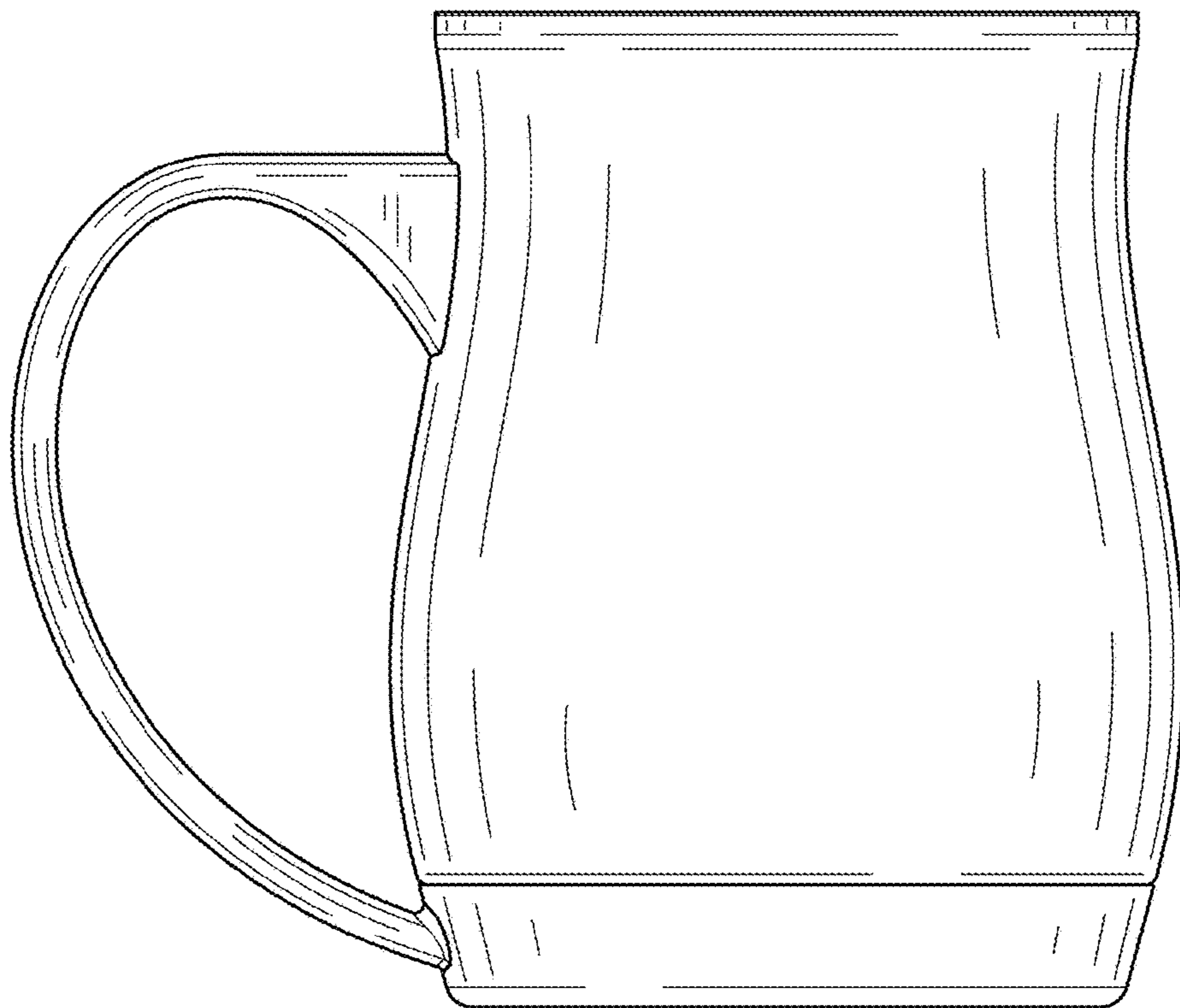


FIG. 3

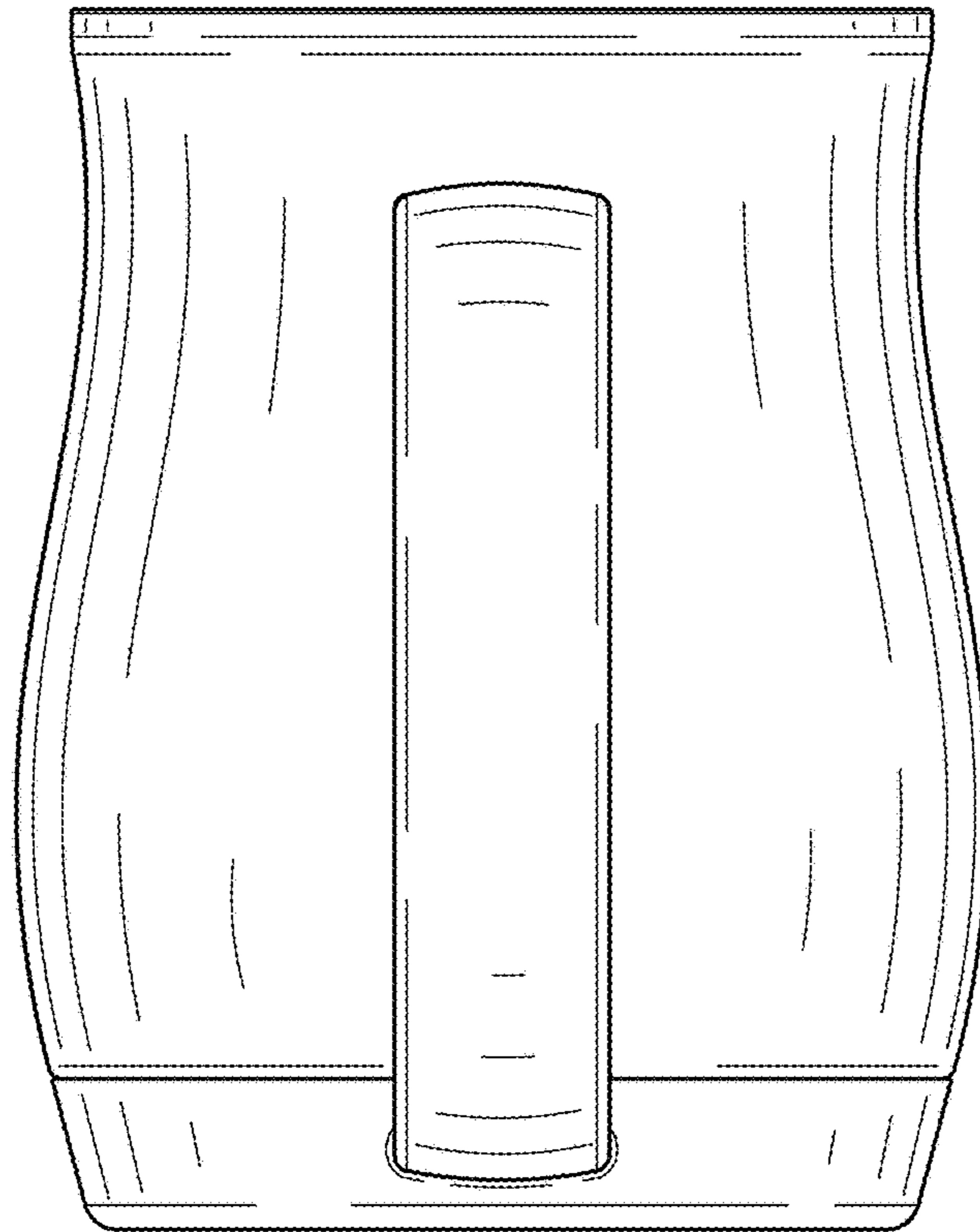


FIG. 4

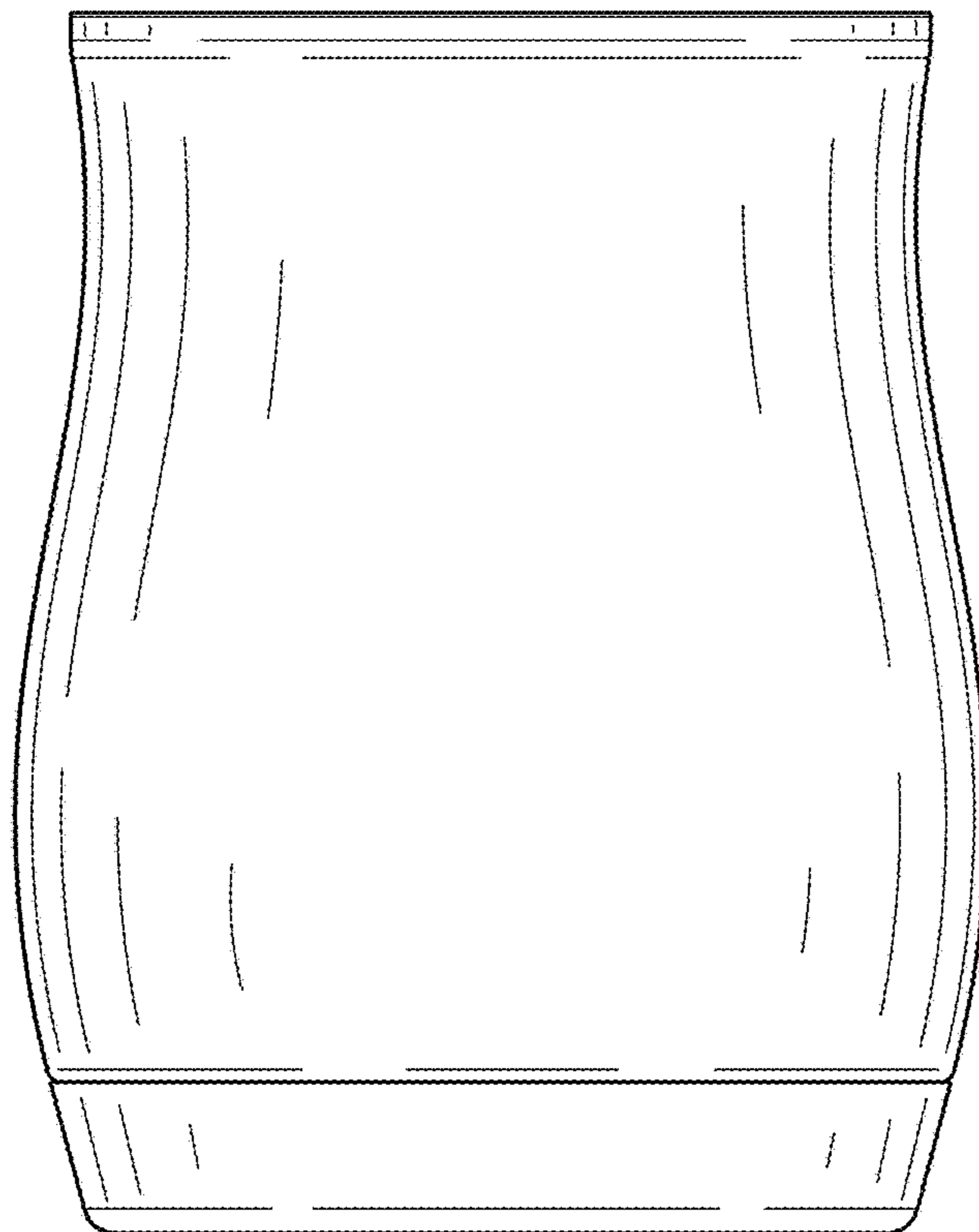


FIG. 5

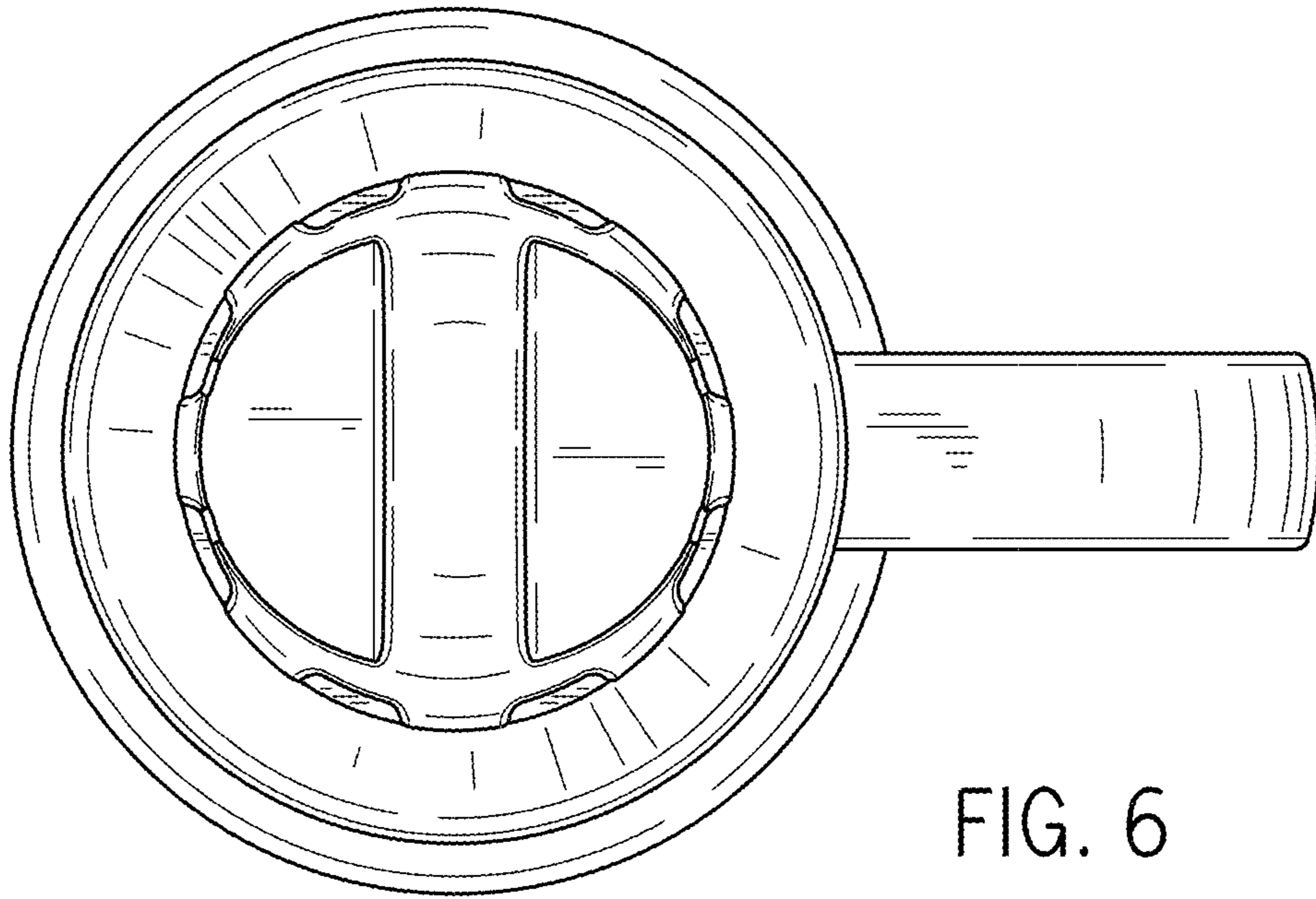


FIG. 6

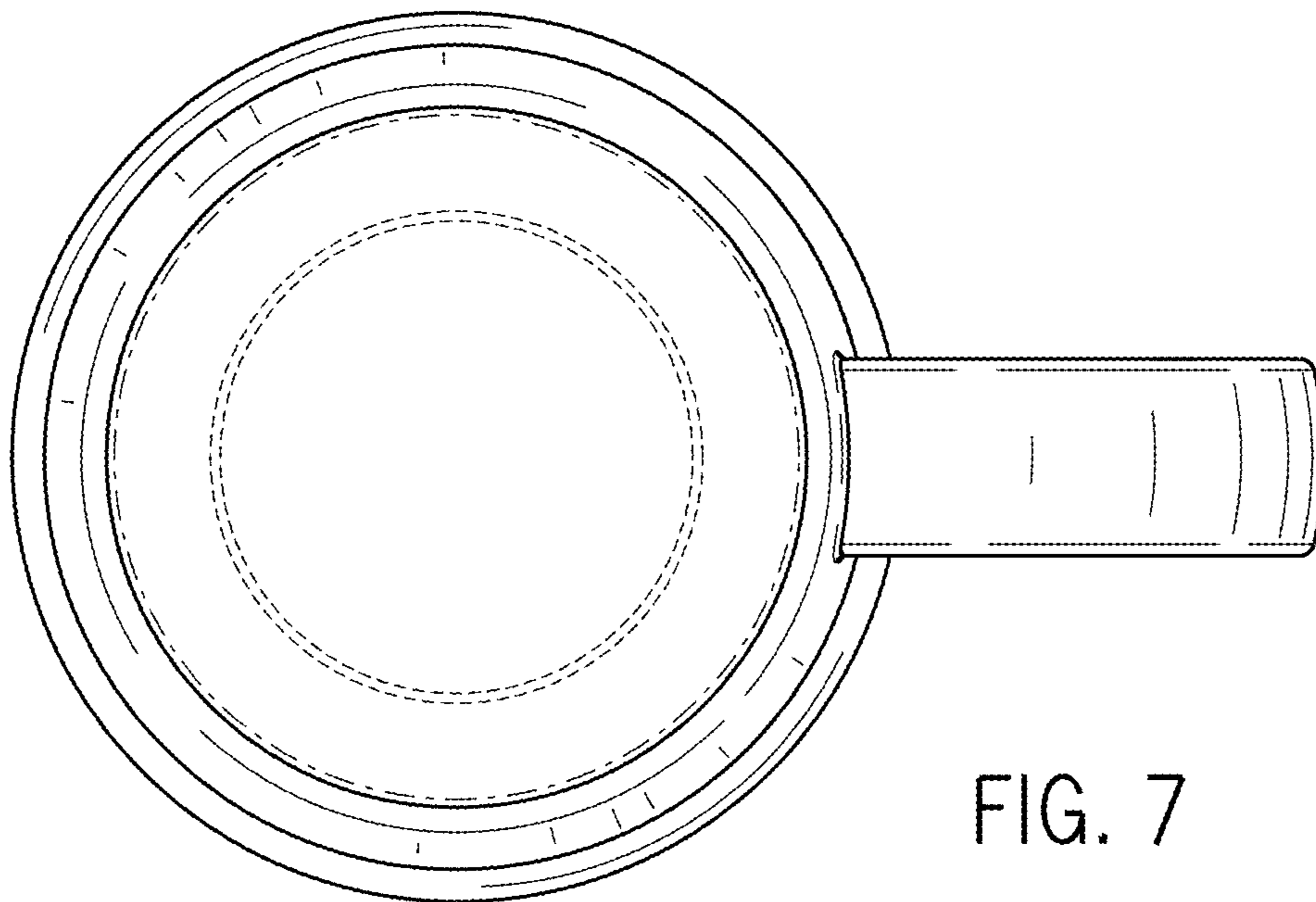


FIG. 7