



US00D815901S

(12) **United States Design Patent**
Steinmann

(10) **Patent No.:** **US D815,901 S**
(45) **Date of Patent:** **** Apr. 24, 2018**

(54) **PORTABLE BEVERAGE CONTAINER**

(71) Applicant: **Hardy Steinmann**, Laguna Niguel, CA (US)

(72) Inventor: **Hardy Steinmann**, Laguna Niguel, CA (US)

(**) Term: **15 Years**

(21) Appl. No.: **29/563,456**

(22) Filed: **May 4, 2016**

(51) **LOC (11) Cl.** **07-01**

(52) **U.S. Cl.**
USPC **D7/510; D7/511; D7/523**

(58) **Field of Classification Search**
USPC D7/507, 509, 510, 511, 523, 529, 530, D7/531, 532, 533, 536, 608, 598, 300.1, D7/320, 629, 392.1, 396.2, 396.6, 387, D7/667; D9/435, 436, 443, 452, 453, D9/447, 440, 503; 220/592.16, 592.17, 220/705, 495.03; 215/381; D3/202
CPC A47G 19/22; A47G 19/2205; A47G 19/2211; A47G 19/2266; A47G 19/2272; A45F 3/16; B65D 47/066
See application file for complete search history.

(56) **References Cited**

U.S. PATENT DOCUMENTS

D179,880 S *	3/1957	Bramming	D7/608
3,184,890 A *	5/1965	McKey	A01G 9/102 47/73
5,029,720 A	7/1991	Bridges		
5,148,936 A	9/1992	DeGrow		
D345,897 S *	4/1994	Vitez	D7/608
5,312,013 A	5/1994	Bridges		
5,415,312 A	5/1995	Mueller		
D362,369 S	9/1995	Bridges		
5,465,891 A	11/1995	Bridges		
5,497,892 A	3/1996	Takatsuki et al.		
5,515,995 A	5/1996	Allen et al.		

D385,747 S	11/1997	Inoue		
D396,777 S	8/1998	Inoue		
5,857,584 A *	1/1999	Taggart	A47G 19/2211 220/23.9
D411,713 S	6/1999	Bridges		
5,984,156 A	11/1999	Bridges		
6,186,348 B1	2/2001	Rouet		
6,237,820 B1 *	5/2001	Saxton	A45F 3/16 215/395
D448,620 S	10/2001	Neal		
D449,963 S	11/2001	Neal		

(Continued)

Primary Examiner — Marianne Pandozzi
Assistant Examiner — Jae Liang
(74) *Attorney, Agent, or Firm* — McDermott Will & Emery LLP

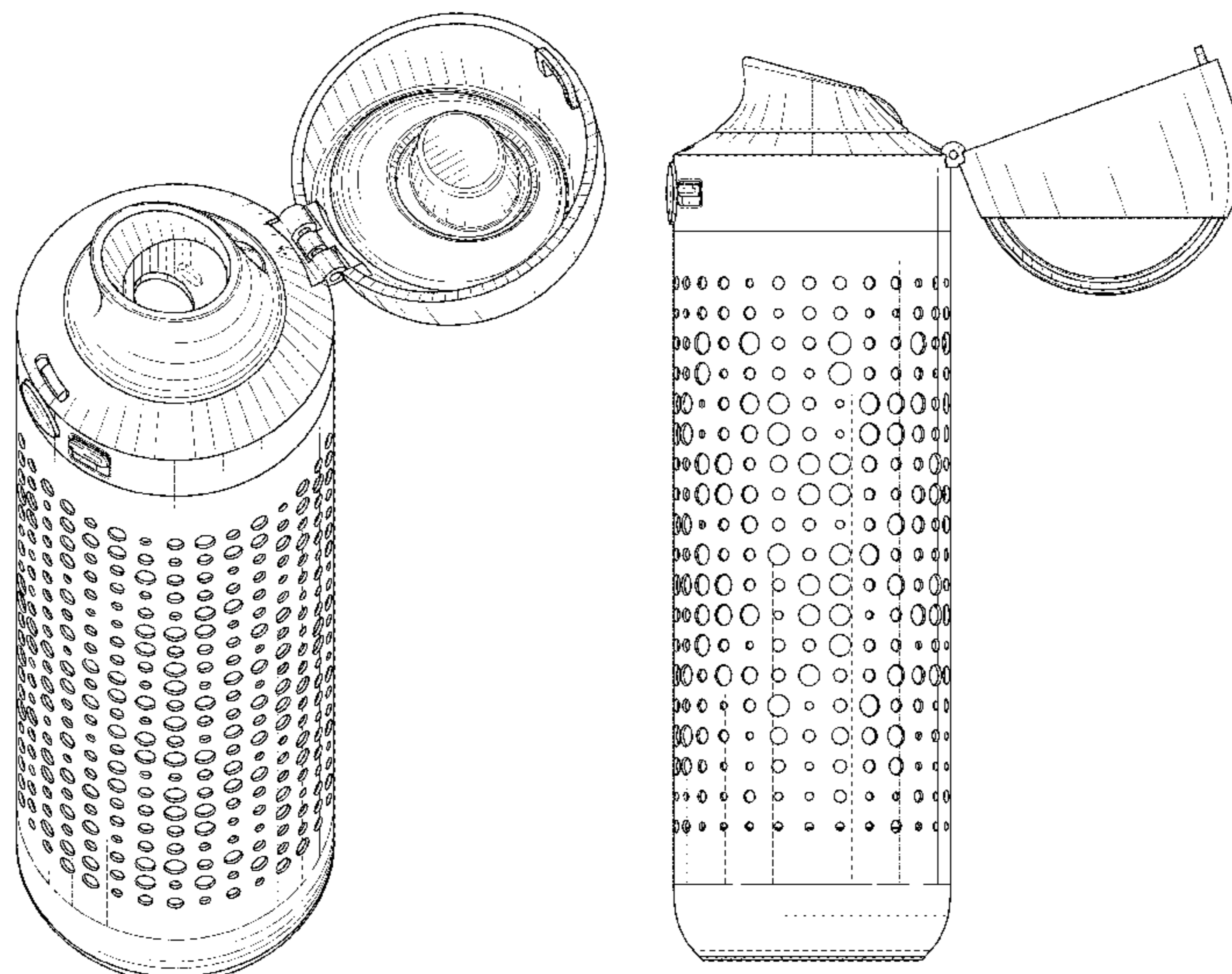
(57) **CLAIM**

I claim the ornamental design for a portable beverage container, as shown and described.

DESCRIPTION

FIG. 1 is a top front perspective view of a portable beverage container showing my new design;
FIG. 2 is a front perspective view of the portable beverage container shown in FIG. 1
FIG. 3 is a rear perspective view of the portable beverage container shown in FIG. 1;
FIG. 4 is a left side view of the portable beverage container shown in FIG. 1;
FIG. 5 is a right side view of the portable beverage container shown in FIG. 1;
FIG. 6 is a top view of the portable beverage container shown in FIG. 1; and,
FIG. 7 is a bottom view of the portable beverage container shown in FIG. 1.
The broken lines in the drawings depict portions of the portable beverage container that form no part of the claimed design.

1 Claim, 5 Drawing Sheets



(56)

References Cited

U.S. PATENT DOCUMENTS

D455,609 S 4/2002 Mandel et al.
 D455,610 S 4/2002 Bridges
 D456,212 S 4/2002 Bridges
 D492,547 S * 7/2004 Hsu D7/523
 D510,681 S * 10/2005 Liu D7/523
 D535,152 S * 1/2007 Gluck D7/509
 7,163,127 B2 1/2007 Seelhofer
 D544,304 S * 6/2007 Gluck D7/511
 7,284,674 B2 10/2007 Ueda et al.
 7,306,113 B2 12/2007 El-Saden et al.
 D575,580 S * 8/2008 Germany D7/392.1
 D594,266 S 6/2009 Nakatani
 7,546,933 B2 6/2009 Pinelli
 D596,904 S 7/2009 Nakatani
 D603,653 S * 11/2009 Wong D7/509
 D607,698 S * 1/2010 Tsukida D7/608
 7,706,671 B2 4/2010 Brown
 D615,816 S * 5/2010 Joy D7/507
 D623,476 S * 9/2010 Carlson D7/510
 7,797,807 B2 9/2010 Ueda et al.
 D627,602 S * 11/2010 Eyal D7/510
 7,997,442 B2 8/2011 Pinelli
 D645,709 S 9/2011 Endo
 D656,365 S * 3/2012 Bickert D7/523
 8,182,683 B1 5/2012 Alien
 8,225,957 B1 7/2012 Volan
 D673,421 S 1/2013 Chiu et al.
 D675,100 S * 1/2013 Herbst D7/511
 D686,040 S 7/2013 Lane
 D686,448 S 7/2013 Boroski
 D690,557 S 10/2013 Carreno et al.
 D690,558 S 10/2013 Lane
 8,550,269 B2 10/2013 Lane
 8,579,133 B2 11/2013 Marcus et al.
 D695,069 S 12/2013 Lane
 8,596,480 B2 12/2013 Arjomand
 D696,905 S 1/2014 Carreno et al.
 D697,802 S 1/2014 Lane
 8,622,229 B2 1/2014 Lane
 8,636,166 B2 1/2014 Lane
 D701,091 S 3/2014 Joy
 8,668,106 B1 3/2014 Joy et al.
 8,684,223 B1 4/2014 Kalamaras
 8,689,989 B2 4/2014 Lane
 8,695,830 B2 4/2014 Meyers et al.
 D704,001 S 5/2014 Lane
 8,777,048 B2 7/2014 Choi et al.
 D710,653 S 8/2014 Goto et al.
 D712,701 S 9/2014 Boroski
 D713,206 S 9/2014 Lane et al.
 8,827,099 B2 9/2014 Joy et al.
 8,833,586 B2 9/2014 Meyers et al.
 8,844,742 B2 9/2014 Fujita et al.
 8,844,746 B2 9/2014 Meyers et al.
 8,844,758 B1 9/2014 Kummer
 D714,584 S 10/2014 Boroski
 D714,590 S * 10/2014 Liotta D7/515
 D715,100 S 10/2014 Eyal
 8,870,007 B2 10/2014 Robbins, II et al.
 D716,657 S 11/2014 Caneer
 D718,626 S 12/2014 Lane
 D719,444 S 12/2014 Sullivan
 D719,445 S 12/2014 Caneer
 D719,780 S 12/2014 Sullivan

D720,186 S 12/2014 Lane et al.
 D720,574 S 1/2015 Boroski
 D721,912 S 2/2015 Boroski
 D724,896 S 3/2015 Williams
 8,967,414 B2 3/2015 Lane
 8,978,906 B2 3/2015 Feeley et al.
 8,985,370 B2 3/2015 Lane
 8,985,377 B2 3/2015 Lane
 8,985,406 B2 3/2015 Tachi
 D725,966 S 4/2015 Boroski et al.
 D729,011 S 5/2015 Boroski
 D729,581 S 5/2015 Boroski
 D729,585 S 5/2015 Boroski
 9,022,239 B2 5/2015 Mackenzie et al.
 D731,251 S 6/2015 Lane
 D732,892 S * 6/2015 Keys D7/510
 9,113,698 B2 8/2015 Blain et al.
 D739,183 S 9/2015 Lane
 9,150,335 B2 10/2015 Lane
 9,161,655 B2 10/2015 De Graaff et al.
 D743,206 S * 11/2015 Pendleton D7/509
 9,175,785 B2 11/2015 Tachi
 9,211,040 B2 12/2015 Lane
 9,307,853 B2 4/2016 Melton
 D756,706 S * 5/2016 Kushner D7/509
 D760,528 S * 7/2016 Szekely D3/202
 D774,358 S * 12/2016 Joseph D7/510
 D777,514 S * 1/2017 McMullin D7/400
 D783,369 S * 4/2017 Matsuo D7/608
 2008/0006598 A1 1/2008 Fujii et al.
 2008/0128438 A1 6/2008 Lane
 2008/0190942 A1 8/2008 Fujii et al.
 2008/0237233 A1 10/2008 Choi et al.
 2009/0199719 A1 8/2009 Bodum
 2009/0277907 A1 11/2009 Schindele et al.
 2010/0181329 A1 7/2010 Davies et al.
 2011/0174993 A1 7/2011 Blain
 2011/0198349 A1 8/2011 Lane
 2012/0006830 A1 1/2012 Larreau
 2012/0018343 A1 1/2012 Carland
 2012/0228315 A1 9/2012 Davies et al.
 2013/0008902 A1 1/2013 Davies et al.
 2013/0119075 A1 5/2013 Justiss
 2013/0175270 A1 7/2013 Fujita et al.
 2013/0233178 A1 9/2013 Herling et al.
 2013/0306630 A1 * 11/2013 Babinsky B65D 81/3869
 220/62.12
 2013/0319966 A1 12/2013 Lane
 2013/0320011 A1 12/2013 Tachi
 2013/0320251 A1 12/2013 Tachi
 2014/0138395 A1 5/2014 Joy et al.
 2014/0166654 A1 6/2014 Lane
 2014/0174965 A1 6/2014 Herling et al.
 2014/0175042 A1 6/2014 Lane
 2014/0190982 A1 7/2014 Speed
 2014/0261003 A1 9/2014 Maruyama et al.
 2014/0263324 A1 9/2014 Latham et al.
 2014/0263441 A1 9/2014 Maruyama et al.
 2014/0263476 A1 9/2014 Blain et al.
 2014/0312077 A1 10/2014 Tajima et al.
 2014/0319158 A1 10/2014 Lonsway
 2015/0216343 A1 8/2015 Price
 2015/0223628 A1 8/2015 Cheung et al.
 2016/0159538 A1 * 6/2016 Michie A45F 3/16
 215/306

* cited by examiner

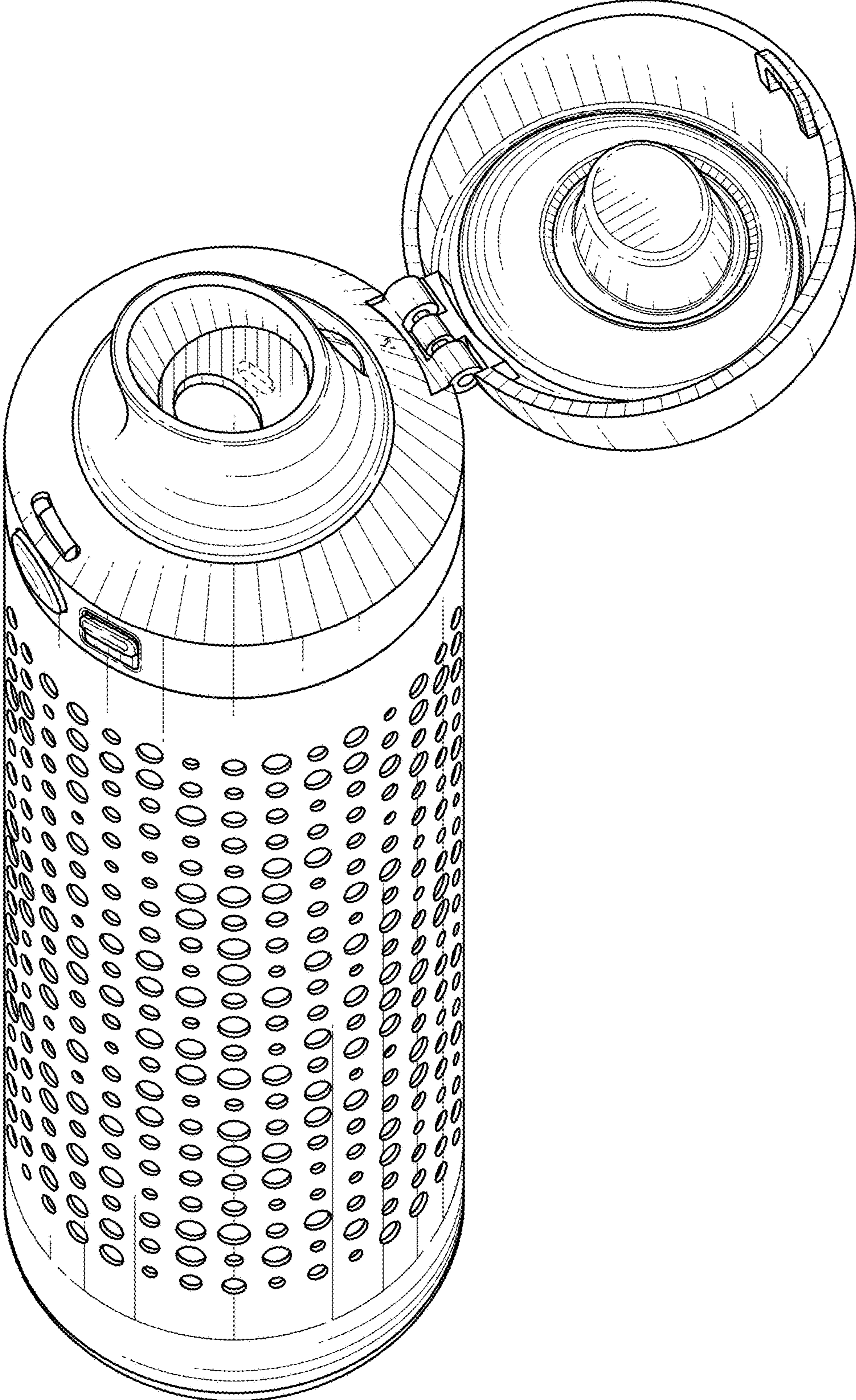


FIG. 1

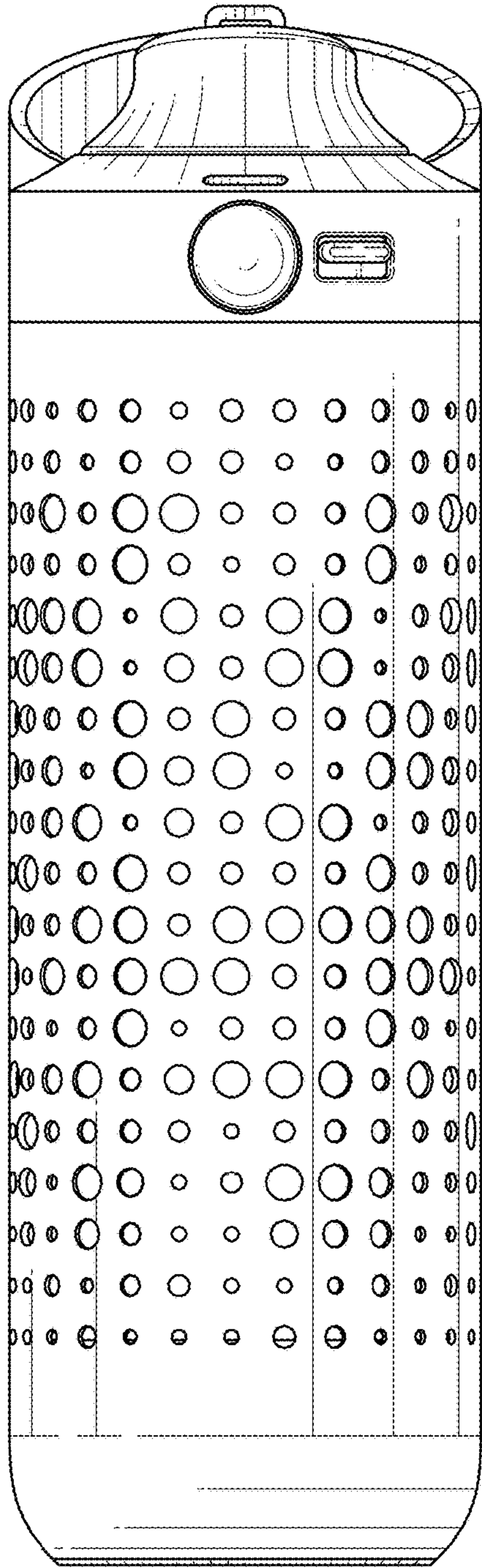


FIG. 2

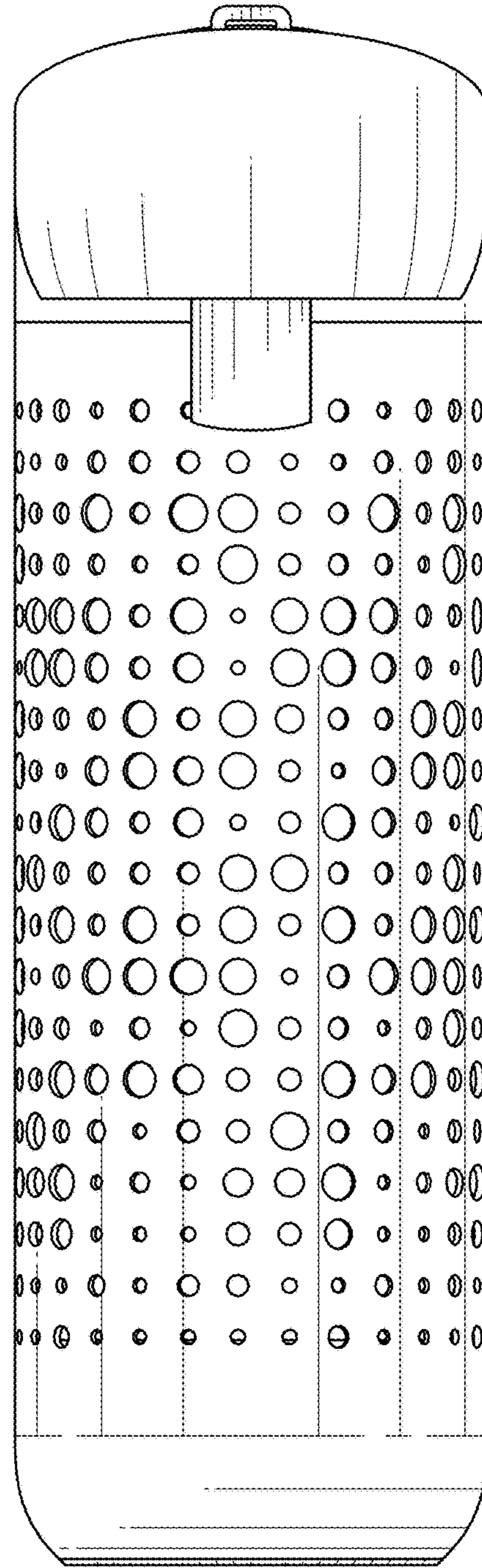


FIG. 3

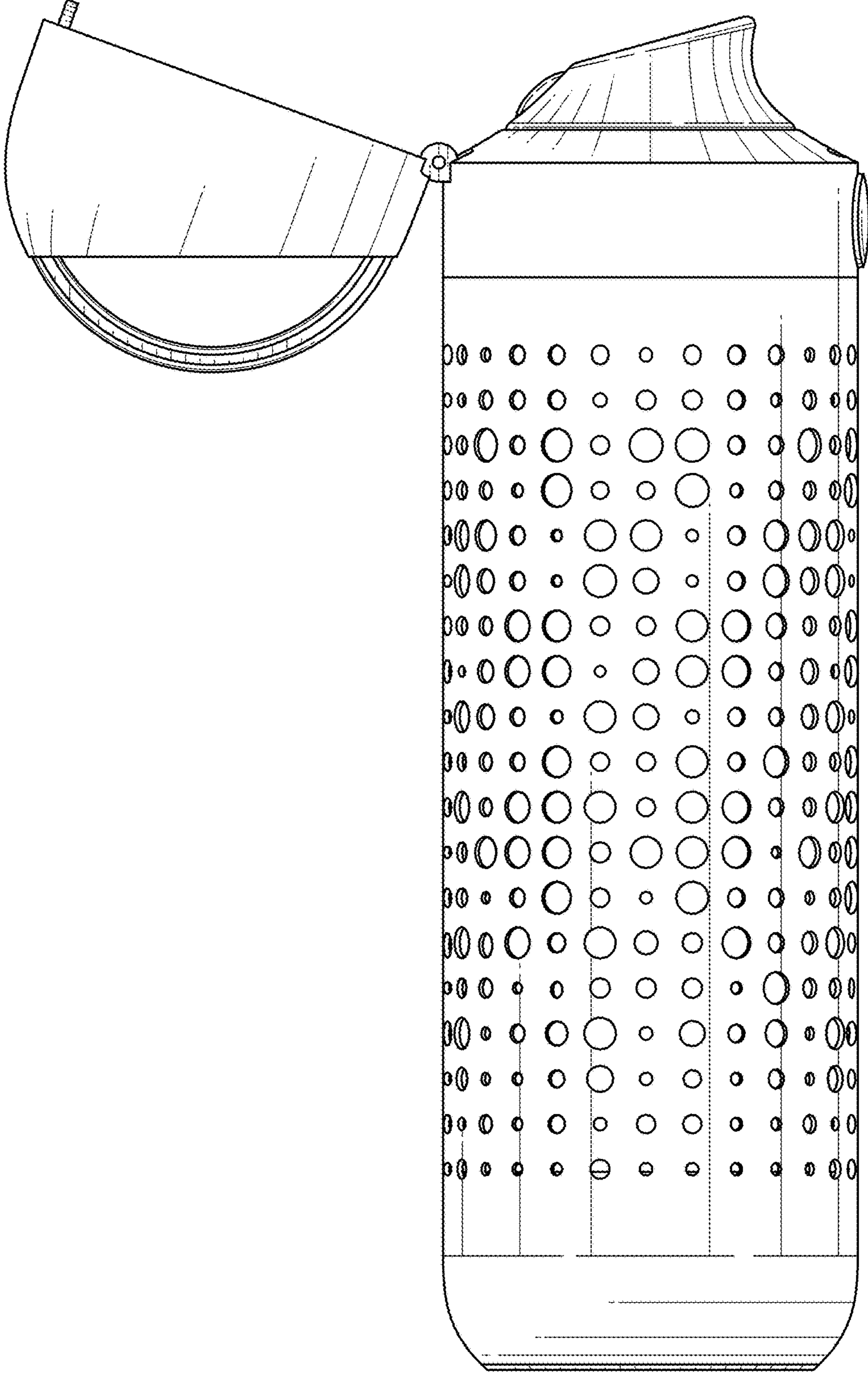


FIG. 4

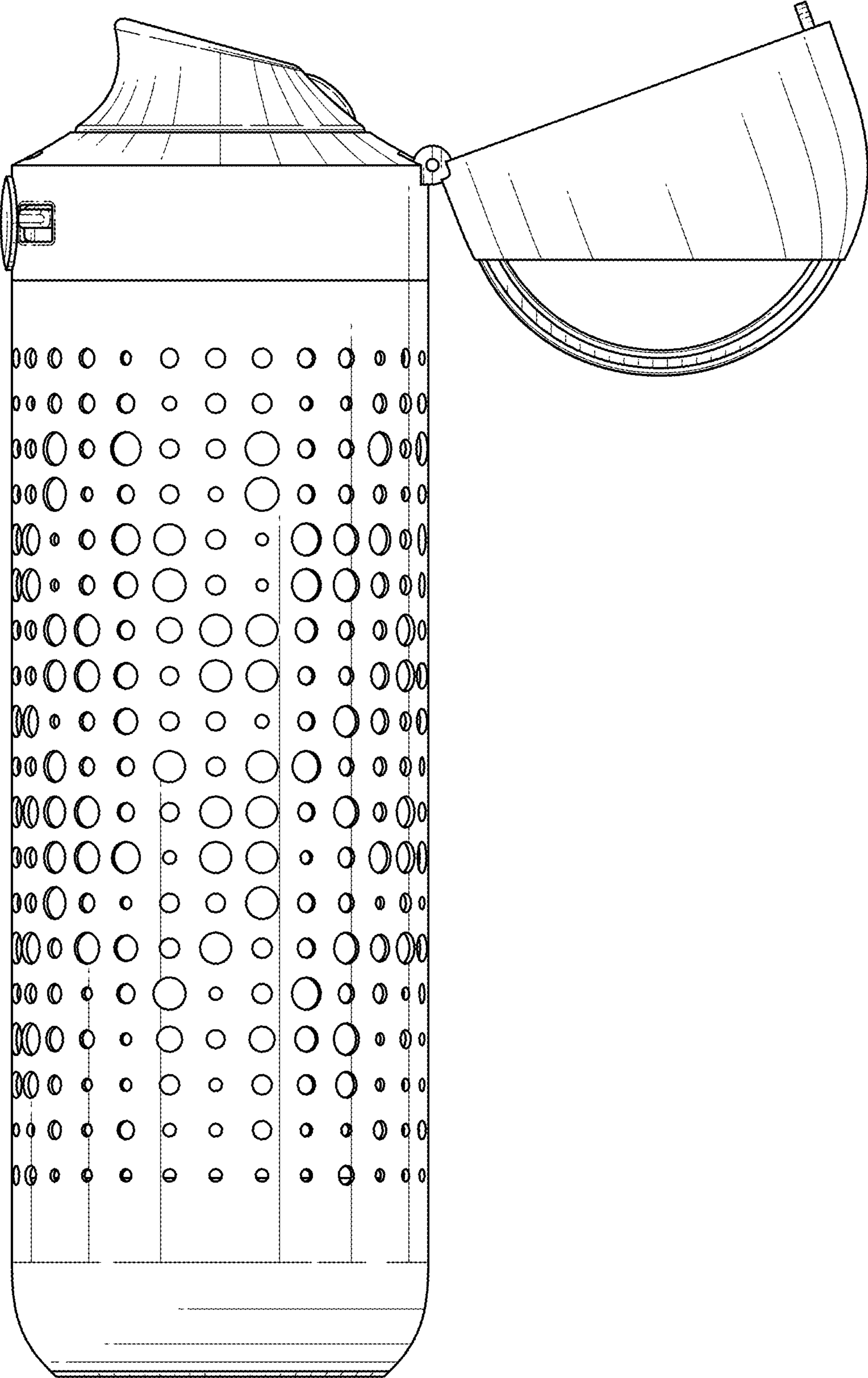


FIG. 5

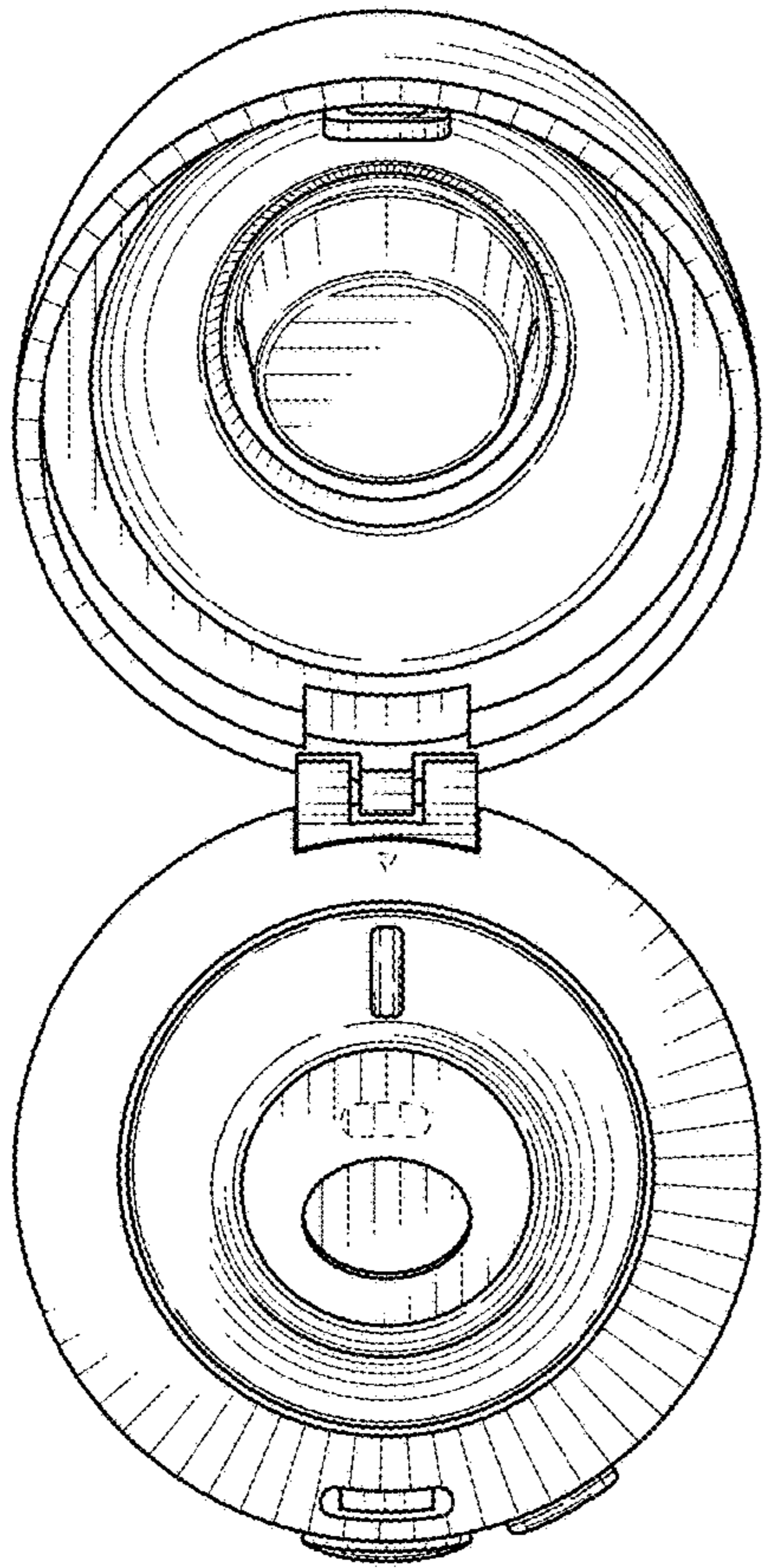


FIG. 6

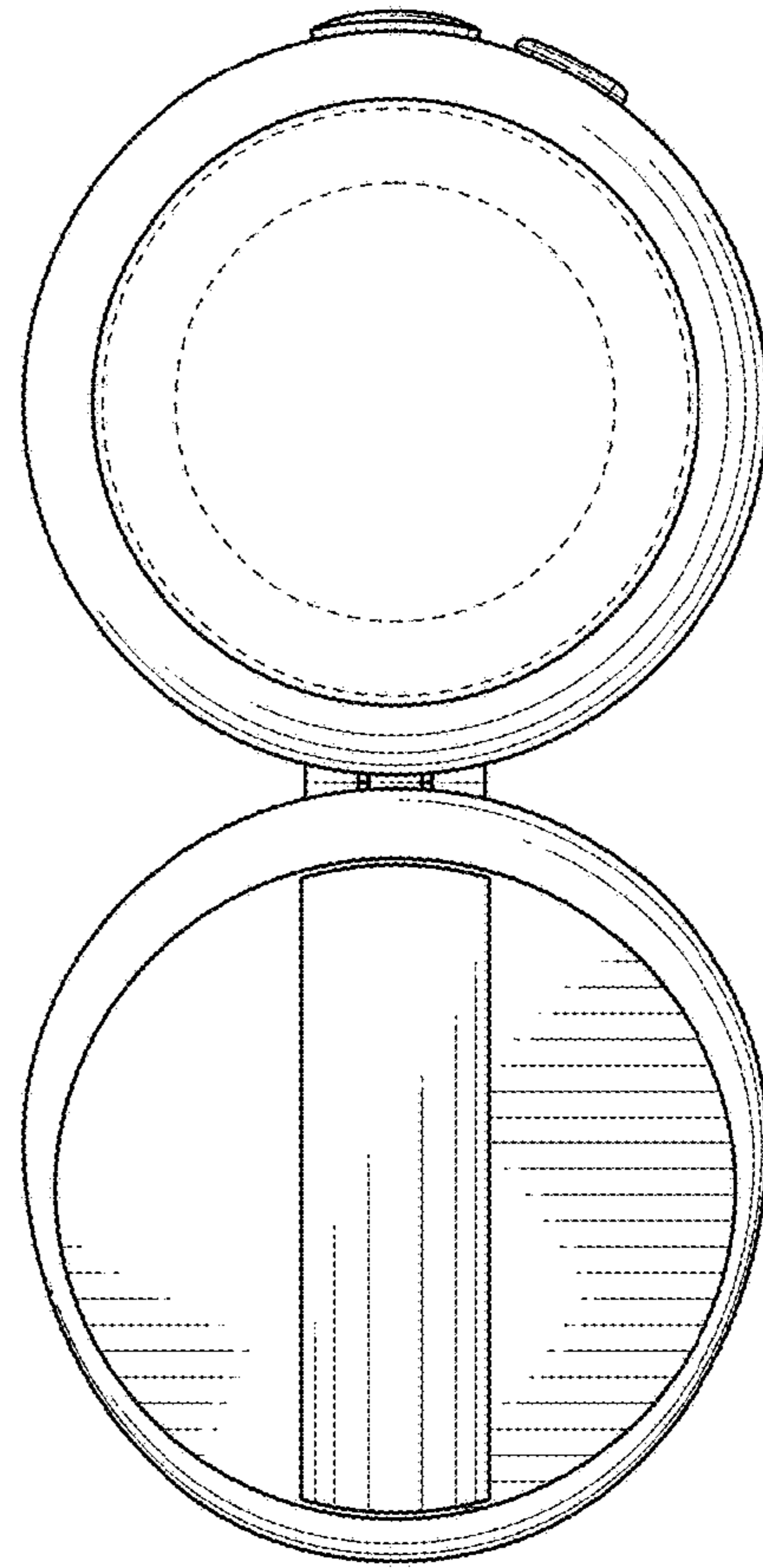


FIG. 7