



US00D815900S

(12) **United States Design Patent**
Guan

(10) **Patent No.:** **US D815,900 S**
(45) **Date of Patent:** **** Apr. 24, 2018**

- (54) **SET OF TABLEWARE FOR KIDS**
- (71) Applicant: **Weiguang Guan**, Guangdong Province (CN)
- (72) Inventor: **Weiguang Guan**, Guangdong Province (CN)
- (**) Term: **15 Years**
- (21) Appl. No.: **29/570,052**
- (22) Filed: **Jul. 4, 2016**
- (51) **LOC (11) Cl.** **07-01**
- (52) **U.S. Cl.**
USPC **D7/505; D7/515; D7/656; D9/678**
- (58) **Field of Classification Search**
USPC **D7/505, 507, 509, 510, 511, 512, 523, D7/532, 533, 536, 396.6, 387, 320, 321,**
(Continued)

(56) **References Cited**

U.S. PATENT DOCUMENTS

- D38,745 S * 8/1907 Edmonston D7/656
 - D186,125 S * 9/1959 Forsman D7/656
- (Continued)

Primary Examiner — Marianne Pandozzi
Assistant Examiner — Jae Liang

(57) **CLAIM**

The ornamental design for a set of tableware for kids, as shown and described.

DESCRIPTION

FIG. 1 is a perspective view of a set of tableware for kids showing my new design;
 FIG. 2 is a front elevational view of the spoon portion with the rest of the elements removed for ease of illustration;
 FIG. 3 is a rear elevational view thereof;
 FIG. 4 is a left side view thereof;
 FIG. 5 is a right side view thereof;

FIG. 6 is a top plan view thereof;
 FIG. 7 is a bottom plan view thereof;
 FIG. 8 is a perspective view thereof;
 FIG. 9 is another perspective view thereof;
 FIG. 10 is a front elevational view of the fork portion with the rest of the elements removed for ease of illustration;
 FIG. 11 is a rear elevational view thereof;
 FIG. 12 is a left side view thereof;
 FIG. 13 is a right side view thereof;
 FIG. 14 is a top plan view thereof;
 FIG. 15 is a bottom plan view thereof;
 FIG. 16 is a perspective view thereof;
 FIG. 17 is another perspective view thereof;
 FIG. 18 is a front elevational view of the plate portion with the rest of the elements removed for ease of illustration;
 FIG. 19 is a rear elevational view thereof;
 FIG. 20 is a left side view thereof;
 FIG. 21 is a right side view thereof;
 FIG. 22 is a top plan view thereof;
 FIG. 23 is a bottom plan view thereof;
 FIG. 24 is a perspective view thereof;
 FIG. 25 is another perspective view thereof;
 FIG. 26 is a front elevational view of the bowl portion with the rest of the elements removed for ease of illustration;
 FIG. 27 is a rear elevational view thereof;
 FIG. 28 is a left side view thereof;
 FIG. 29 is a right side view thereof;
 FIG. 30 is a top plan view thereof;
 FIG. 31 is a bottom plan view thereof;
 FIG. 32 is a perspective view thereof;
 FIG. 33 is another perspective view thereof;
 FIG. 34 is a front elevational view of the salt/ pepper shaker portion with the rest of the elements removed for ease of illustration;
 FIG. 35 is a rear elevational view thereof;
 FIG. 36 is a left side view thereof;
 FIG. 37 is a right side view thereof;
 FIG. 38 is a top plan view thereof;
 FIG. 39 is a bottom plan view thereof;
 FIG. 40 is a perspective view thereof;
 FIG. 41 is another perspective view thereof;
 FIG. 42 is a front elevational view of the snack container portion with the rest of the elements removed for ease of illustration;

(Continued)

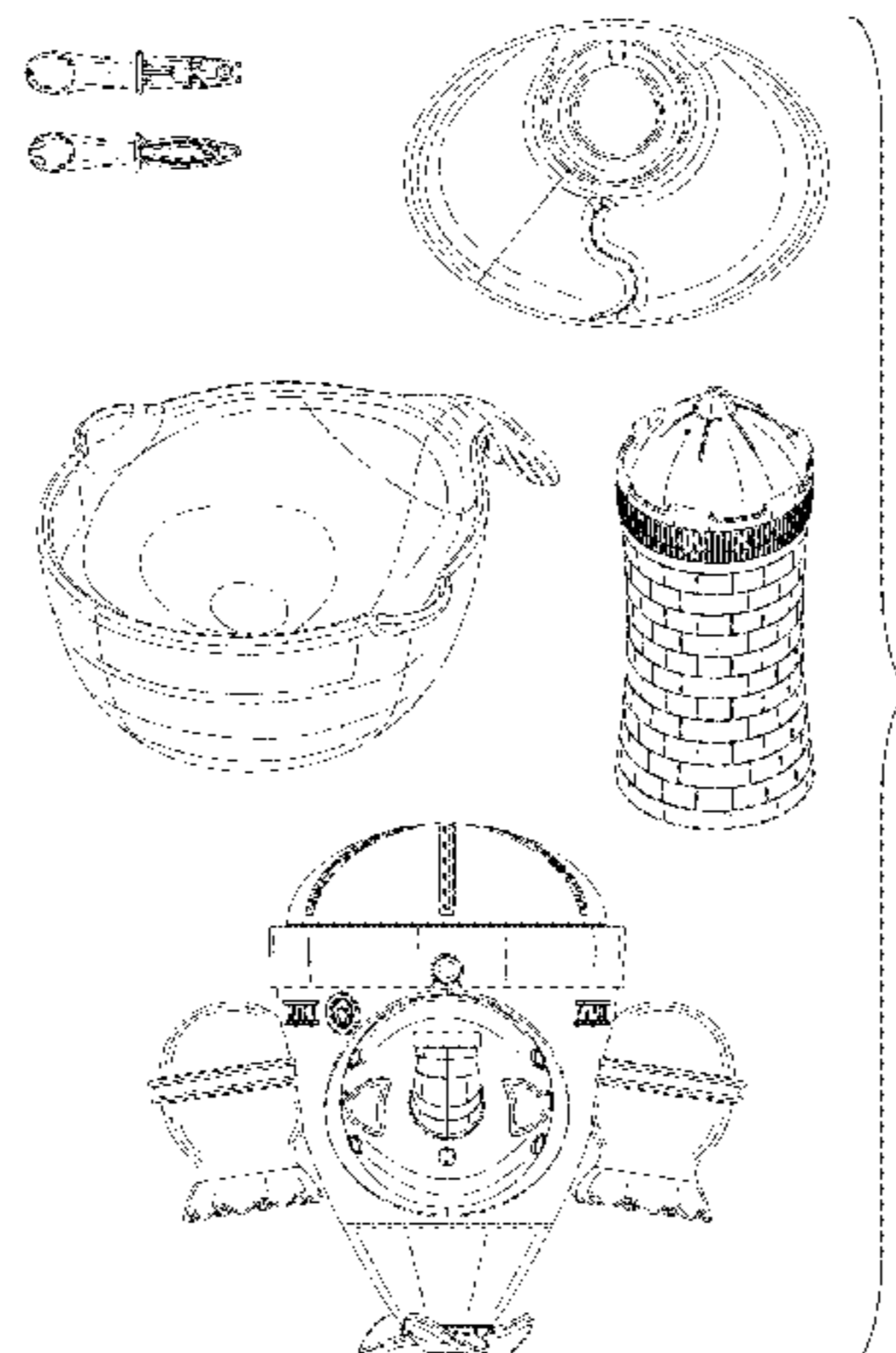


FIG. 43 is a rear elevational view thereof;
 FIG. 44 is a left side view thereof;
 FIG. 45 is a right side view thereof;
 FIG. 46 is a top plan view thereof;
 FIG. 47 is a bottom plan view thereof;
 FIG. 48 is a perspective view thereof;
 FIG. 49 is another perspective view thereof;
 FIG. 50 is a perspective exploded view of the snack container portion with the rest of the elements removed for ease of illustration; and,
 FIG. 51 is another perspective exploded view thereof.

1 Claim, 18 Drawing Sheets

(58) **Field of Classification Search**

USPC .. D7/300.2, 213, 608, 393, 624.1, 543, 591,
 D7/593, 642, 654, 656, 653, 549, 544,
 D7/553.6; D3/202; D24/197; D9/695,
 D9/698, 522, 454, 439, 435, 434, 436,
 D9/531, 517, 707, 708, 709, 528, 549,
 D9/678, 636, 639, 640; D23/266;
 220/495.03, 705; 215/397, 396

CPC B65D 47/066; B65D 1/0223; B65D 33/00;
 B65D 33/16; A47G 19/2272; A47G
 19/2205; A47G 19/2266; A47J 41/02;
 B29C 49/04

See application file for complete search history.

(56)

References Cited

U.S. PATENT DOCUMENTS

D196,535	S	*	10/1963	Schluttig	D9/678
D291,865	S	*	9/1987	Carville	D9/553
4,744,597	A	*	5/1988	Bauman	A47G 19/06 206/217
D302,790	S	*	8/1989	Roe	D9/640
D339,505	S	*	9/1993	Ruiz	D7/654
D374,467	S	*	10/1996	Cziraky	D19/82
5,607,077	A	*	3/1997	Torkelson	A47G 19/065 206/217
D383,806	S	*	9/1997	Yang	446/475
D502,843	S	*	3/2005	Tollman	D7/505
D510,503	S	*	10/2005	Tollman	D7/505
D543,074	S	*	5/2007	Luft	D7/543
D626,788	S	*	11/2010	Clark	D7/545
D643,248	S	*	8/2011	Schmidt	D7/505
D712,702	S	*	9/2014	Stamper	D7/543
D714,593	S	*	10/2014	Light	D7/606

* cited by examiner

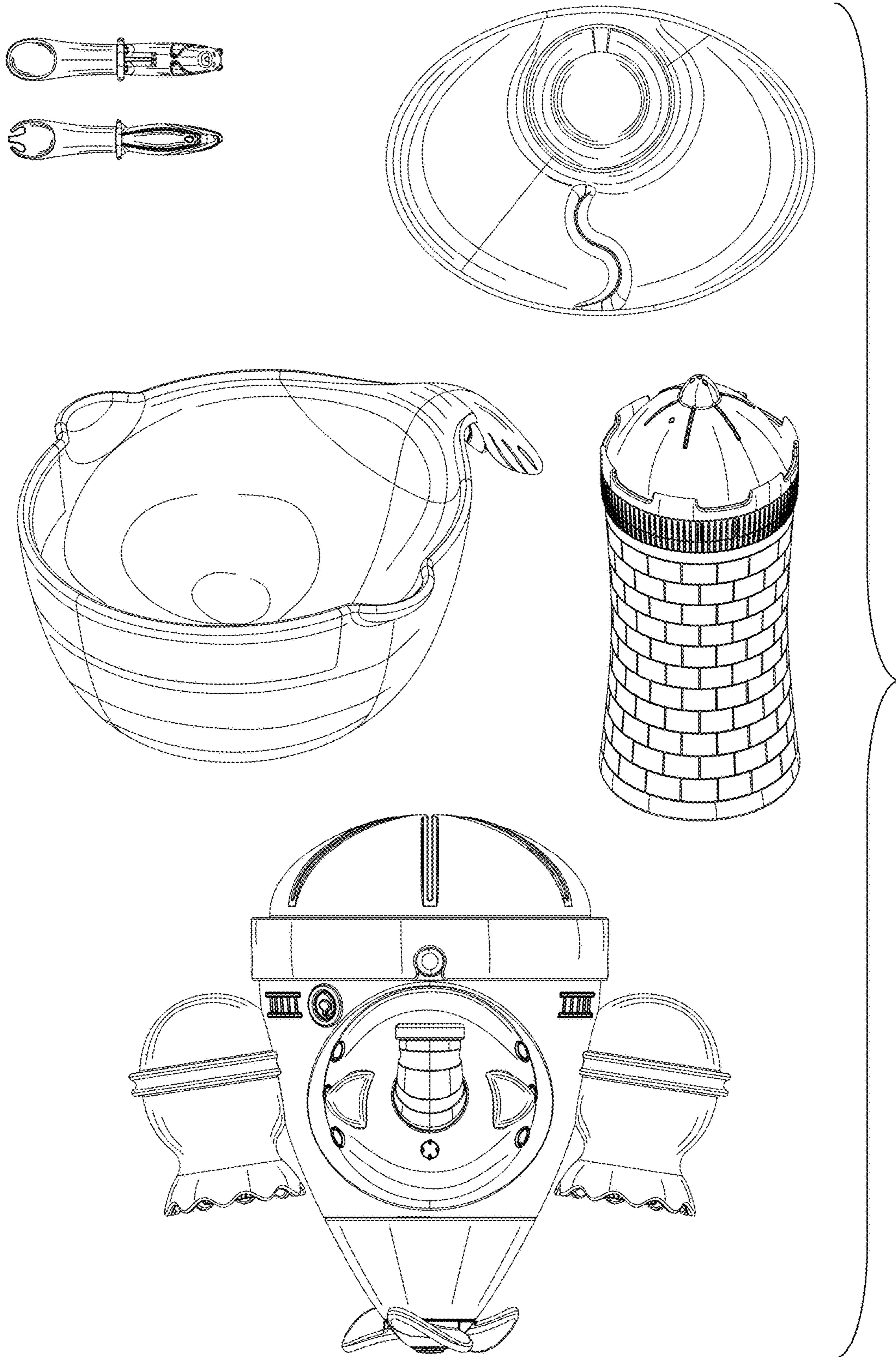


FIG. 1

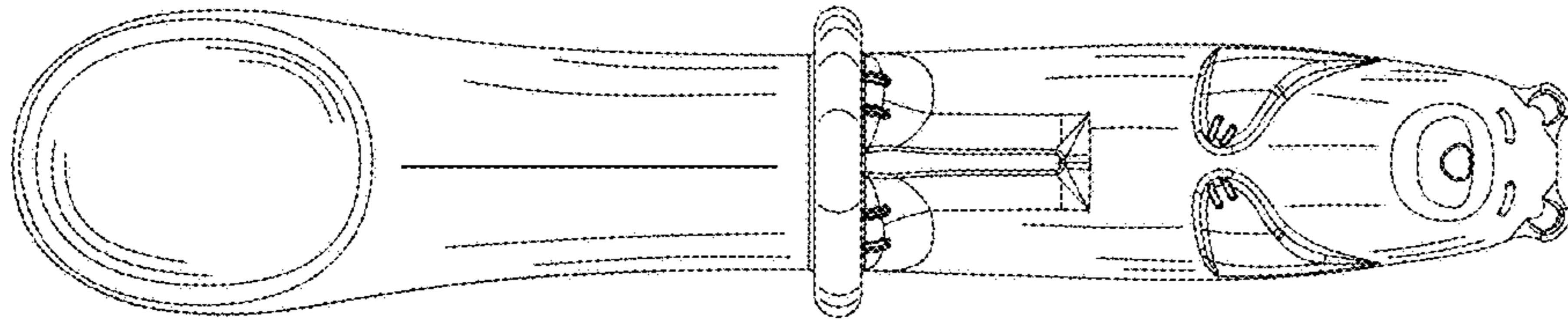


FIG. 2

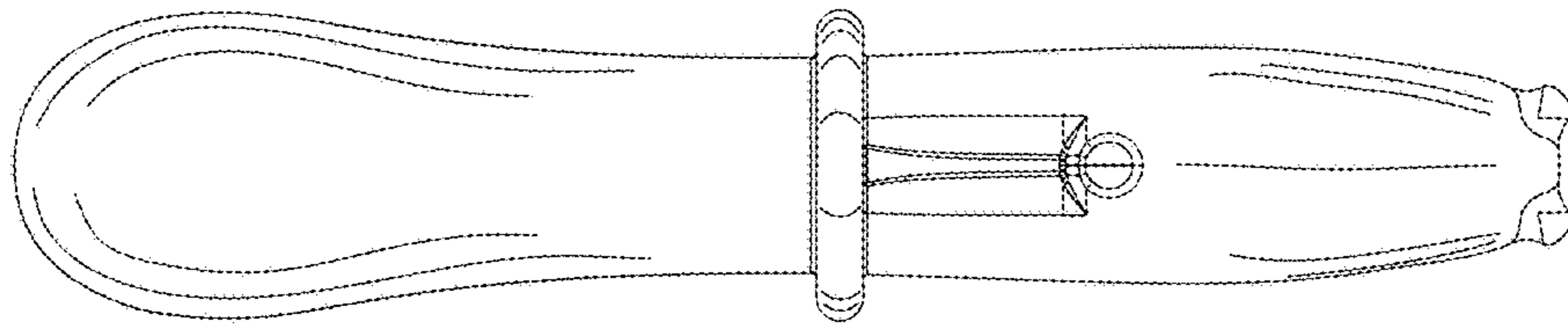


FIG. 3

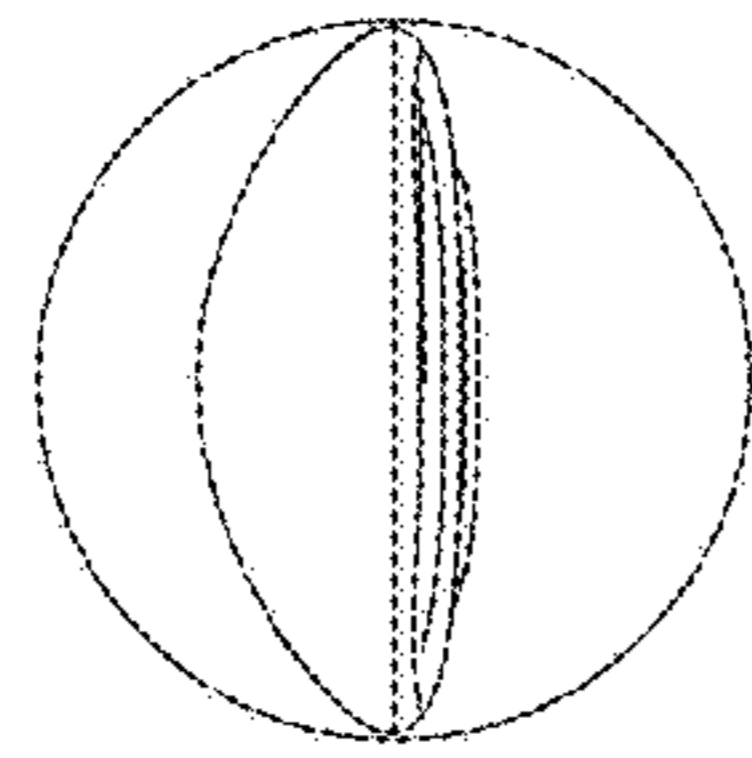


FIG. 4

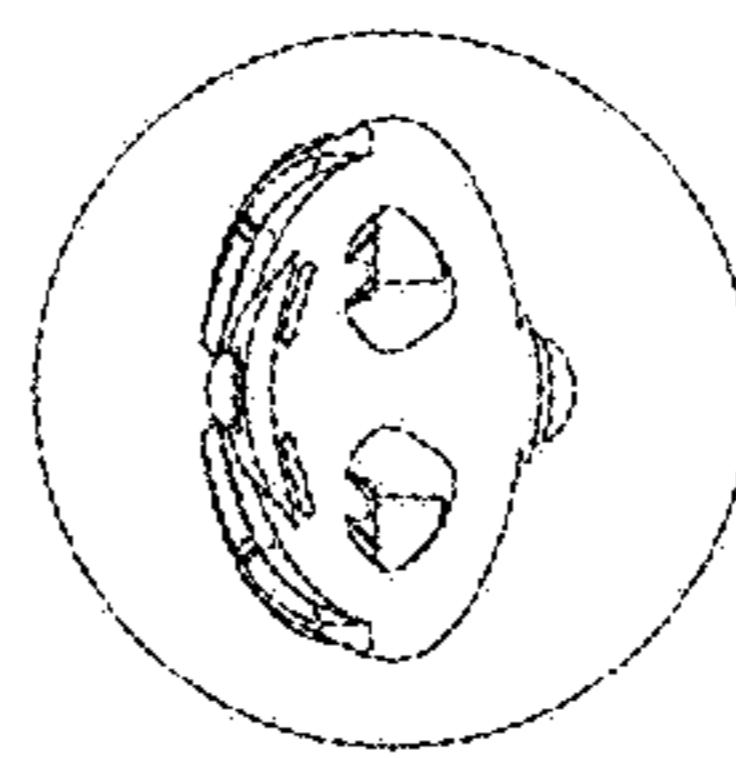


FIG. 5

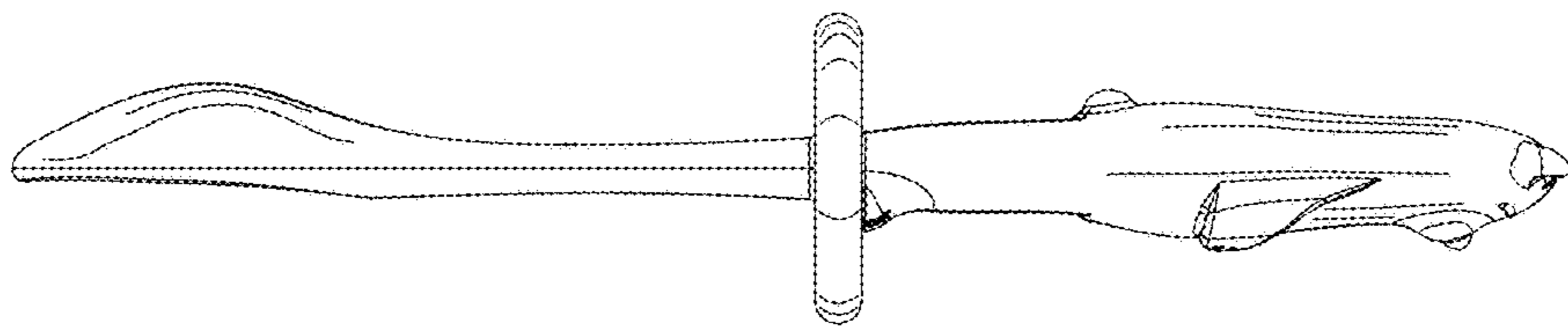


FIG. 6

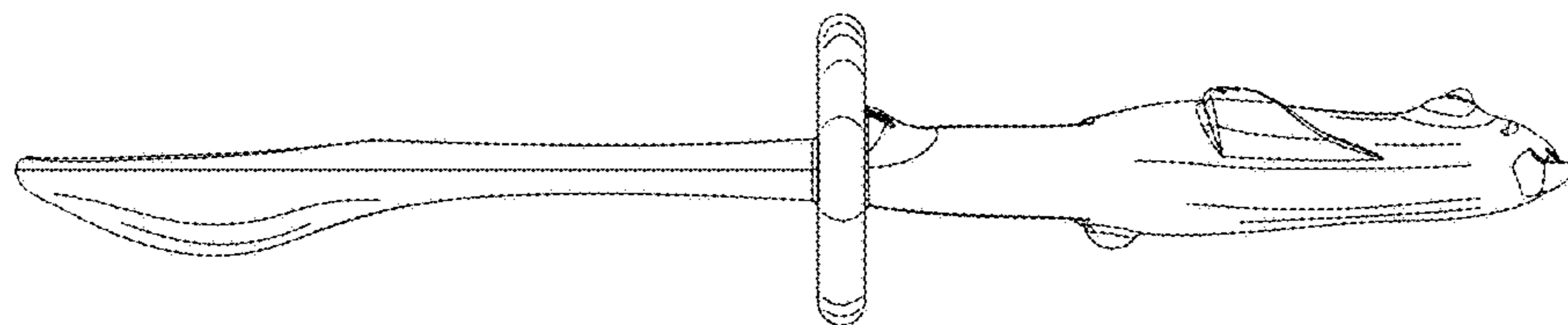


FIG. 7

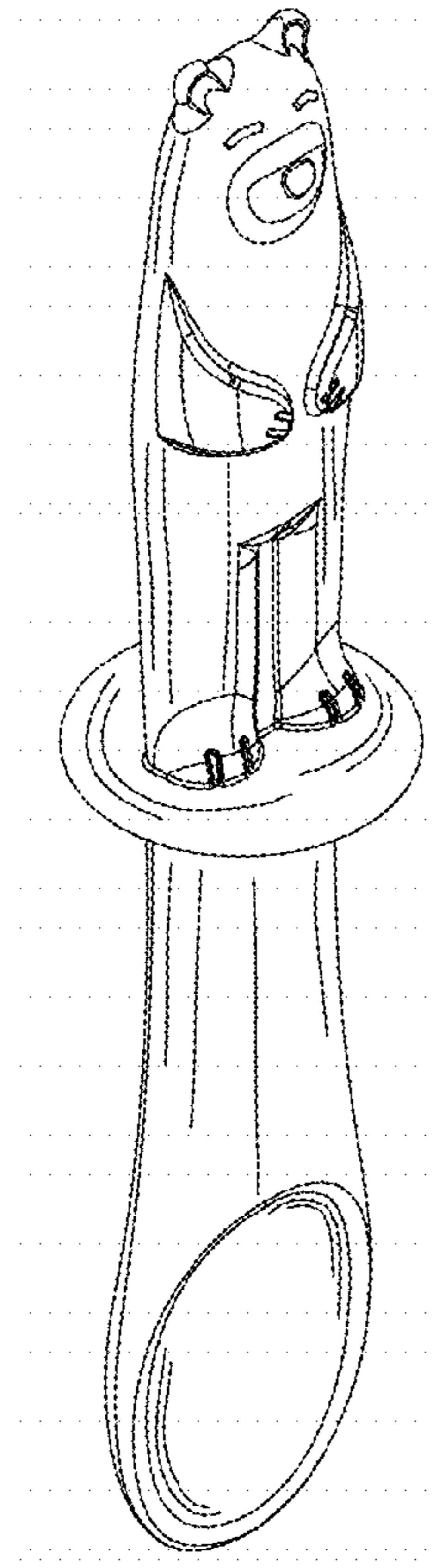


FIG. 8

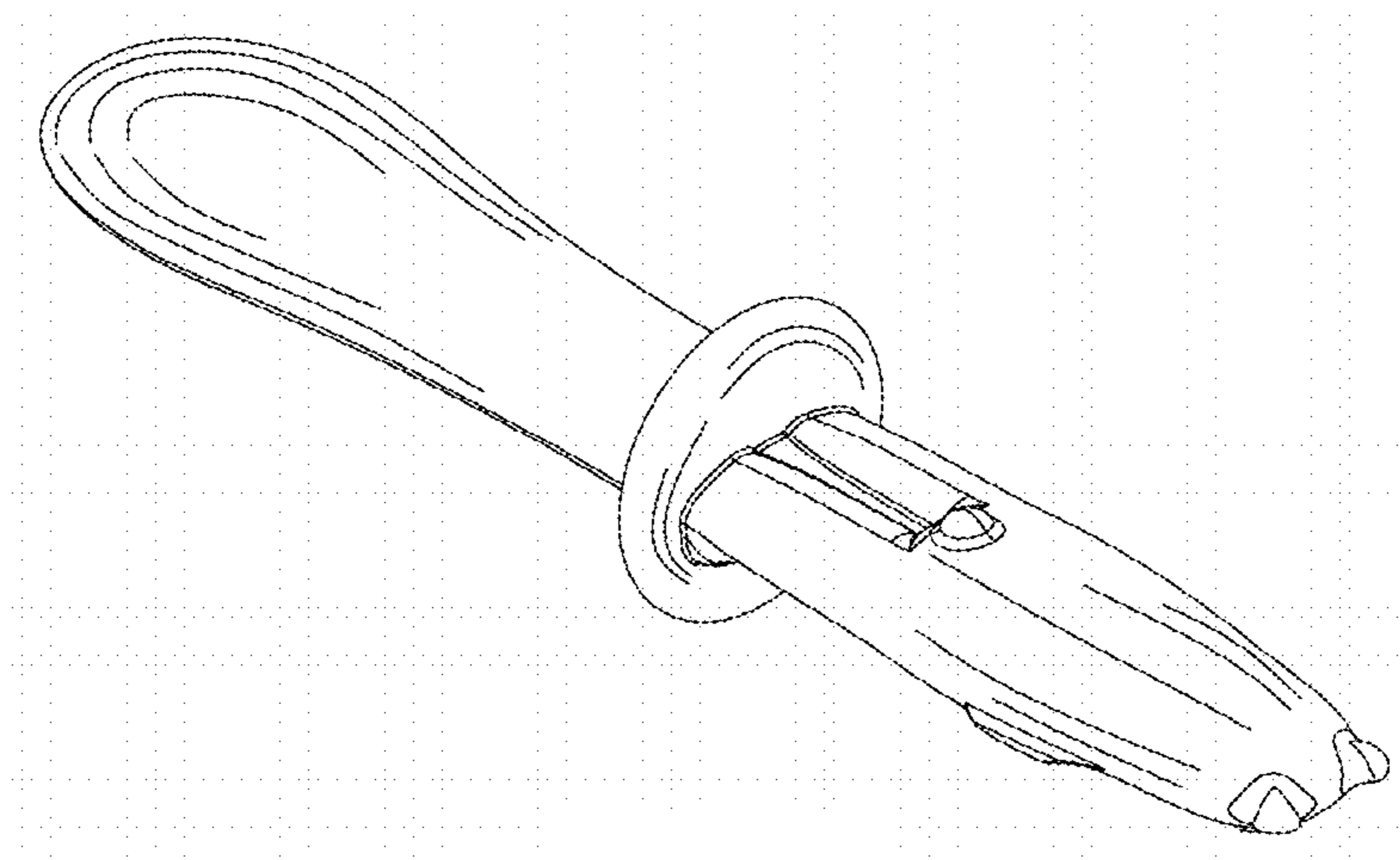


FIG. 9

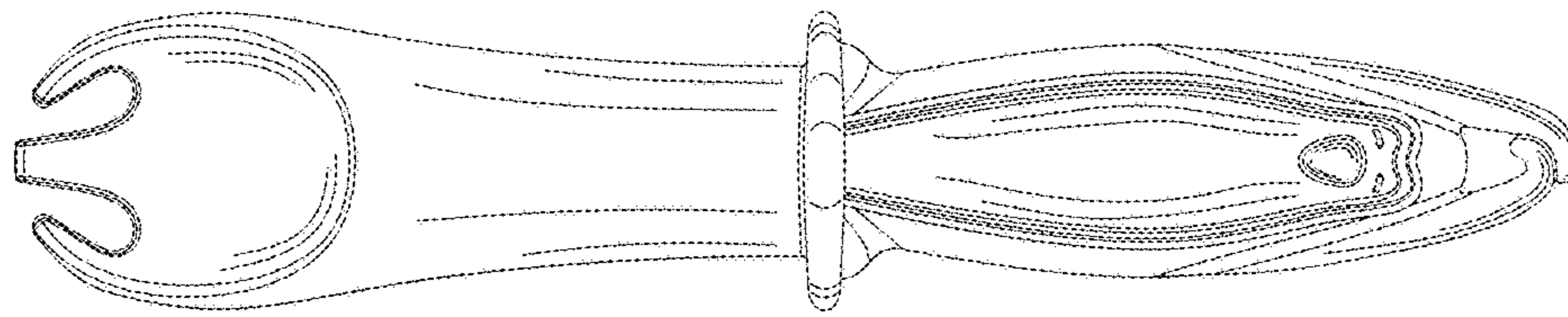


FIG. 10

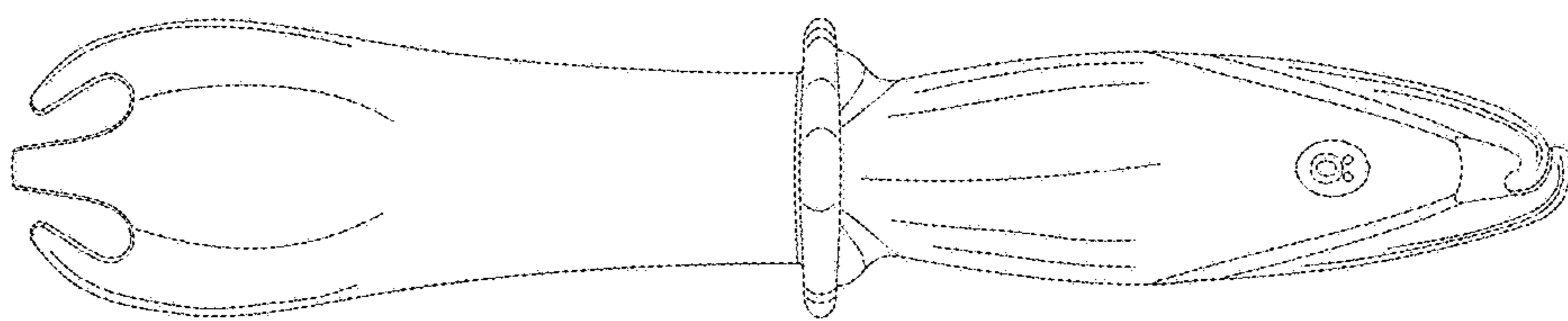


FIG. 11

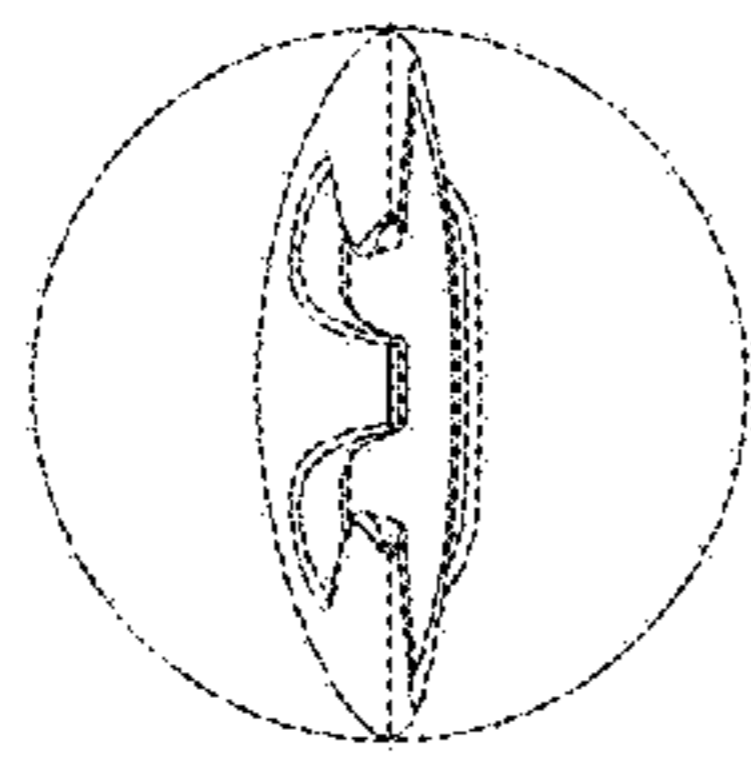


FIG. 12

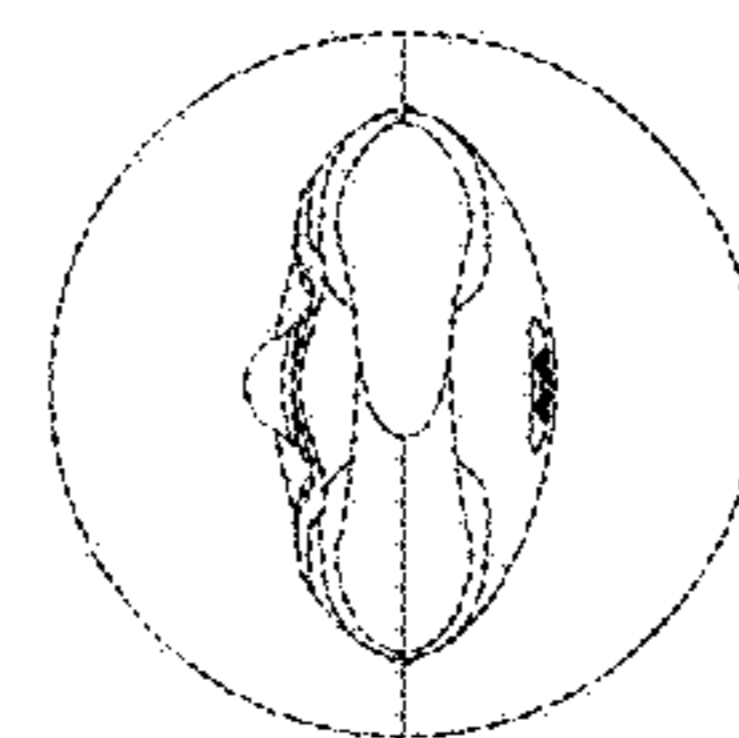


FIG. 13

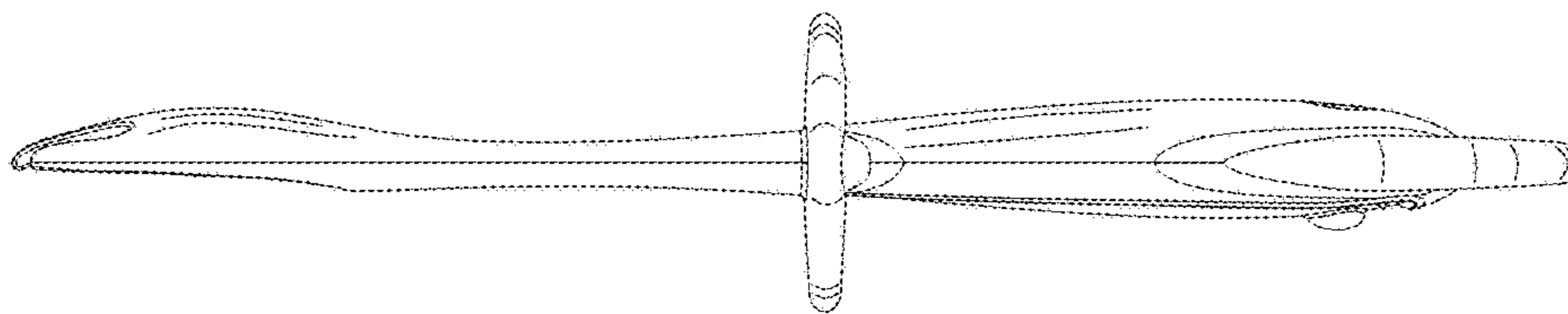


FIG. 14

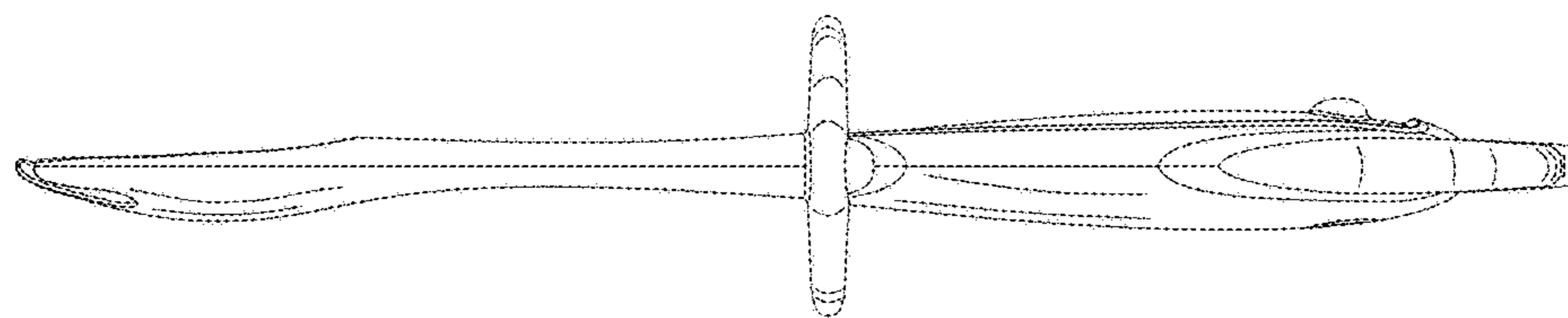


FIG. 15

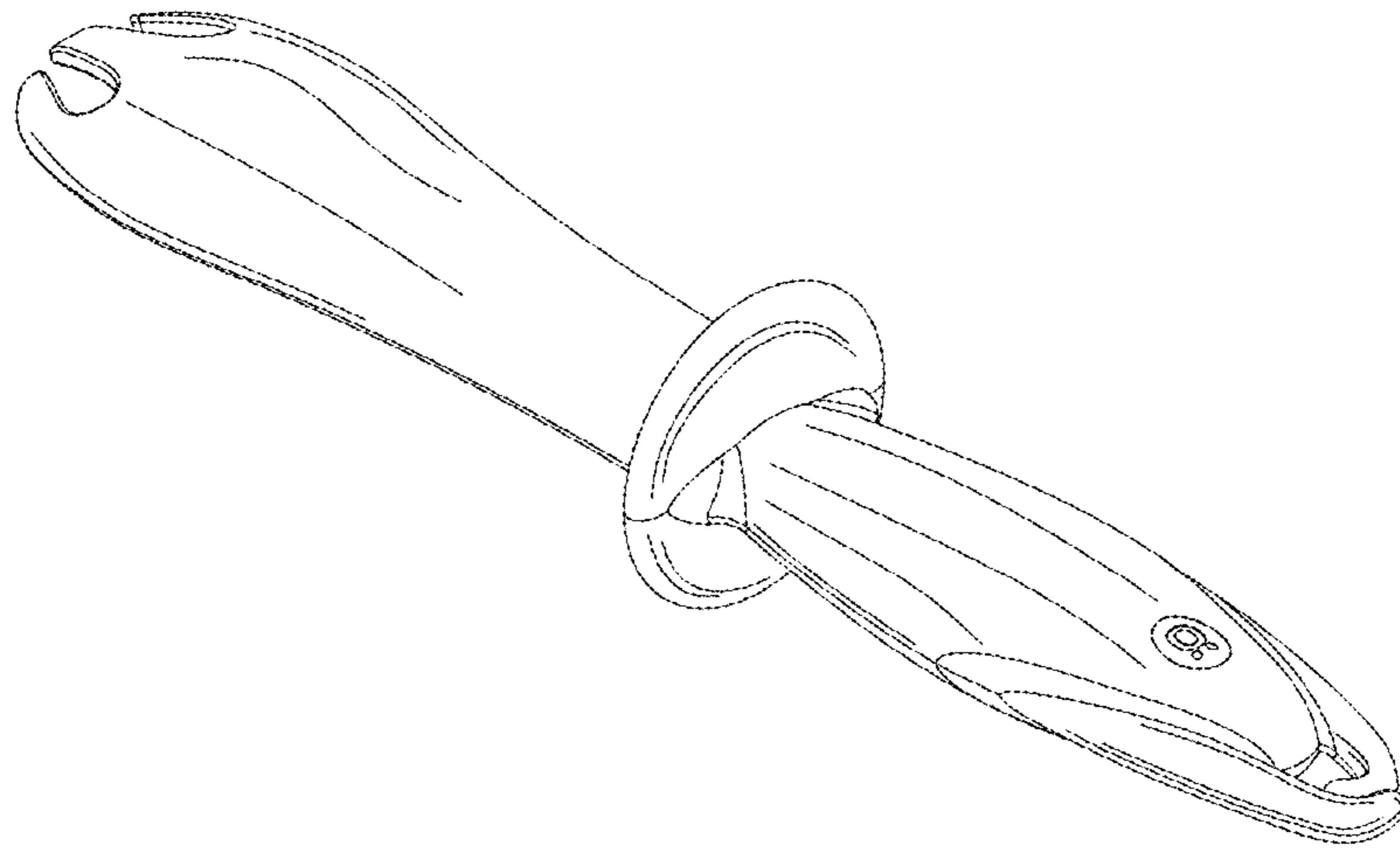


FIG. 16

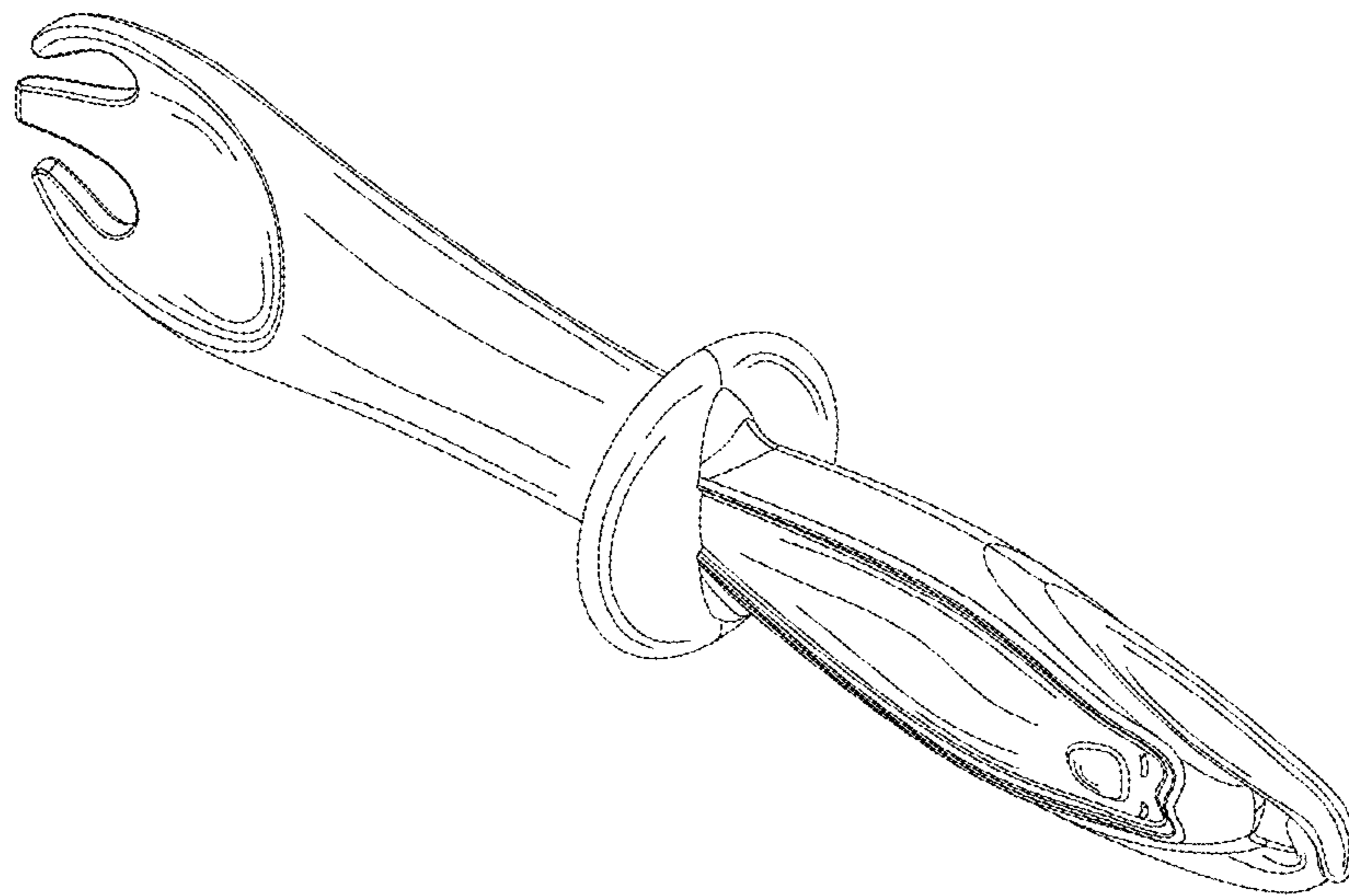


FIG. 17

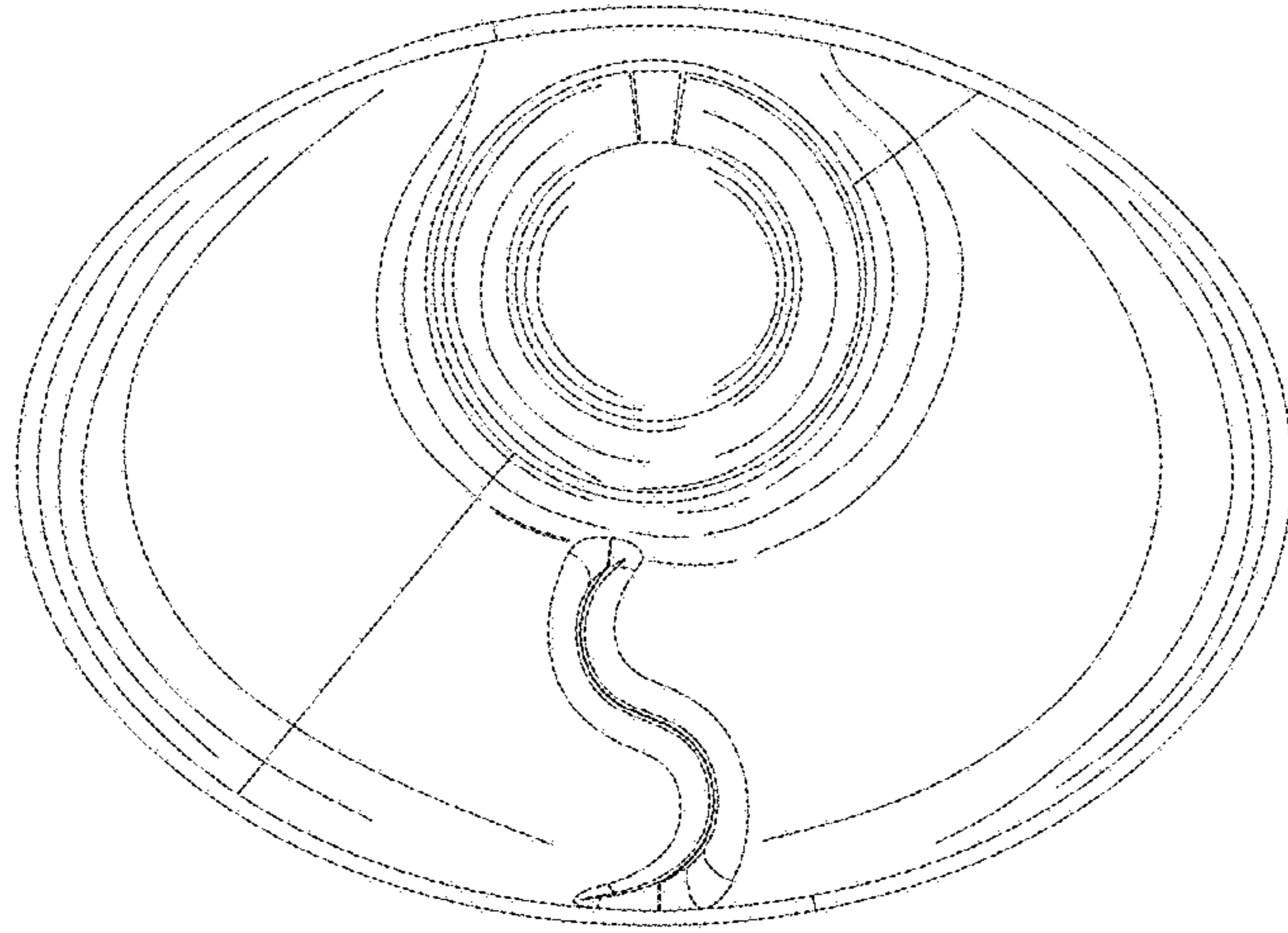


FIG. 18

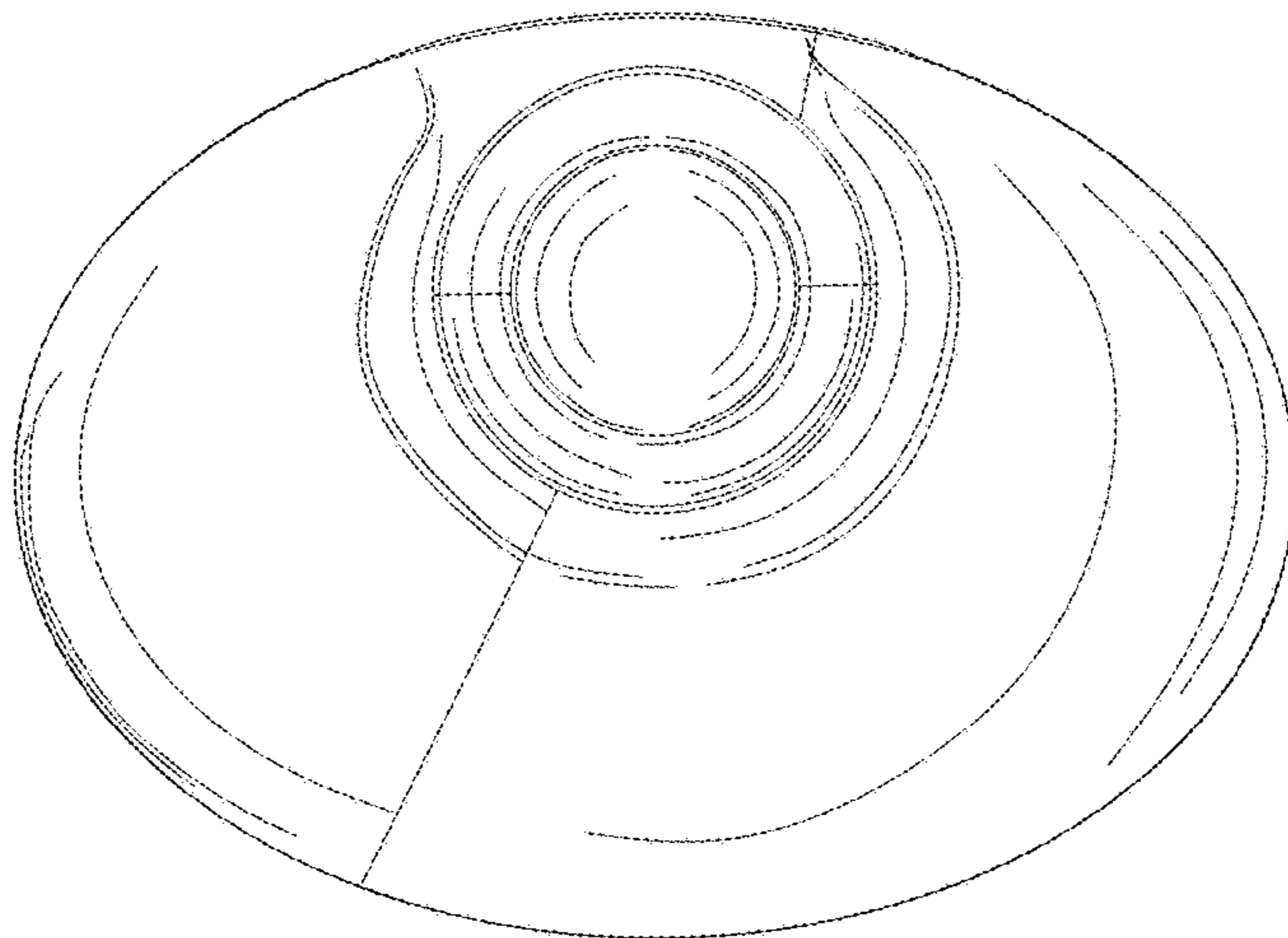


FIG. 19

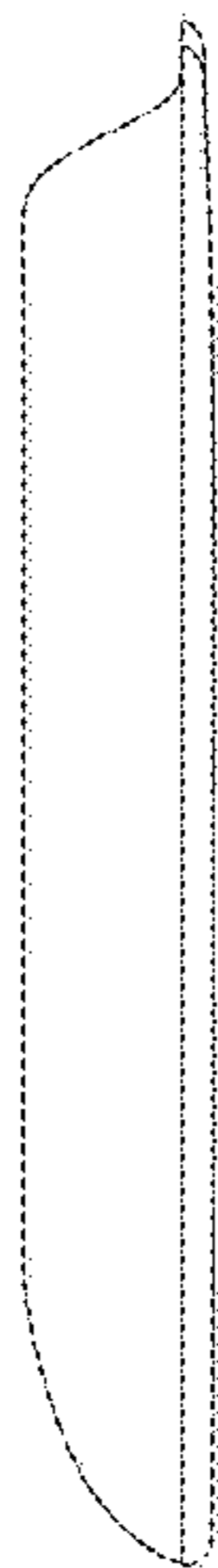


FIG. 20

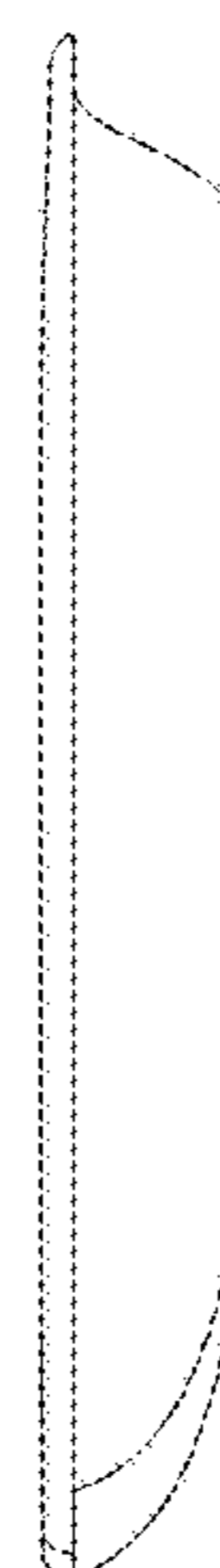


FIG. 21

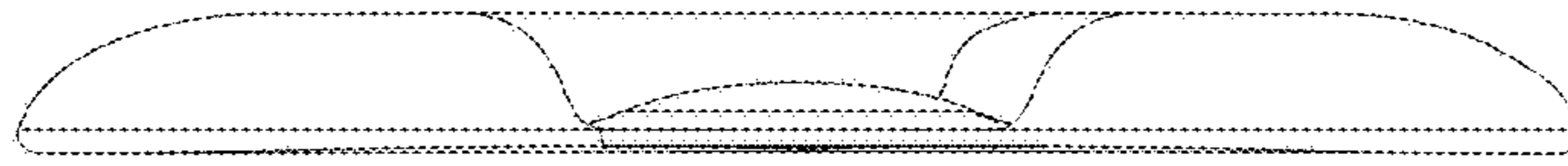


FIG. 22

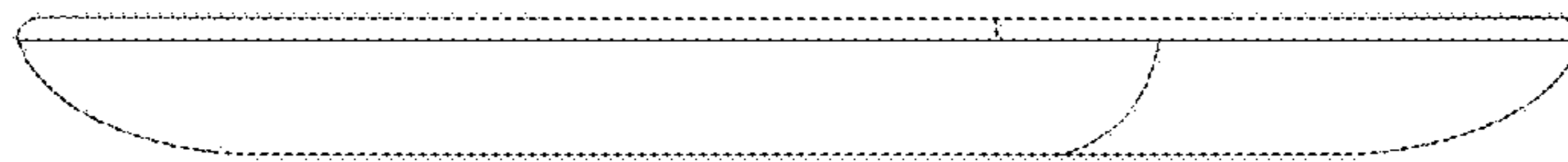


FIG. 23

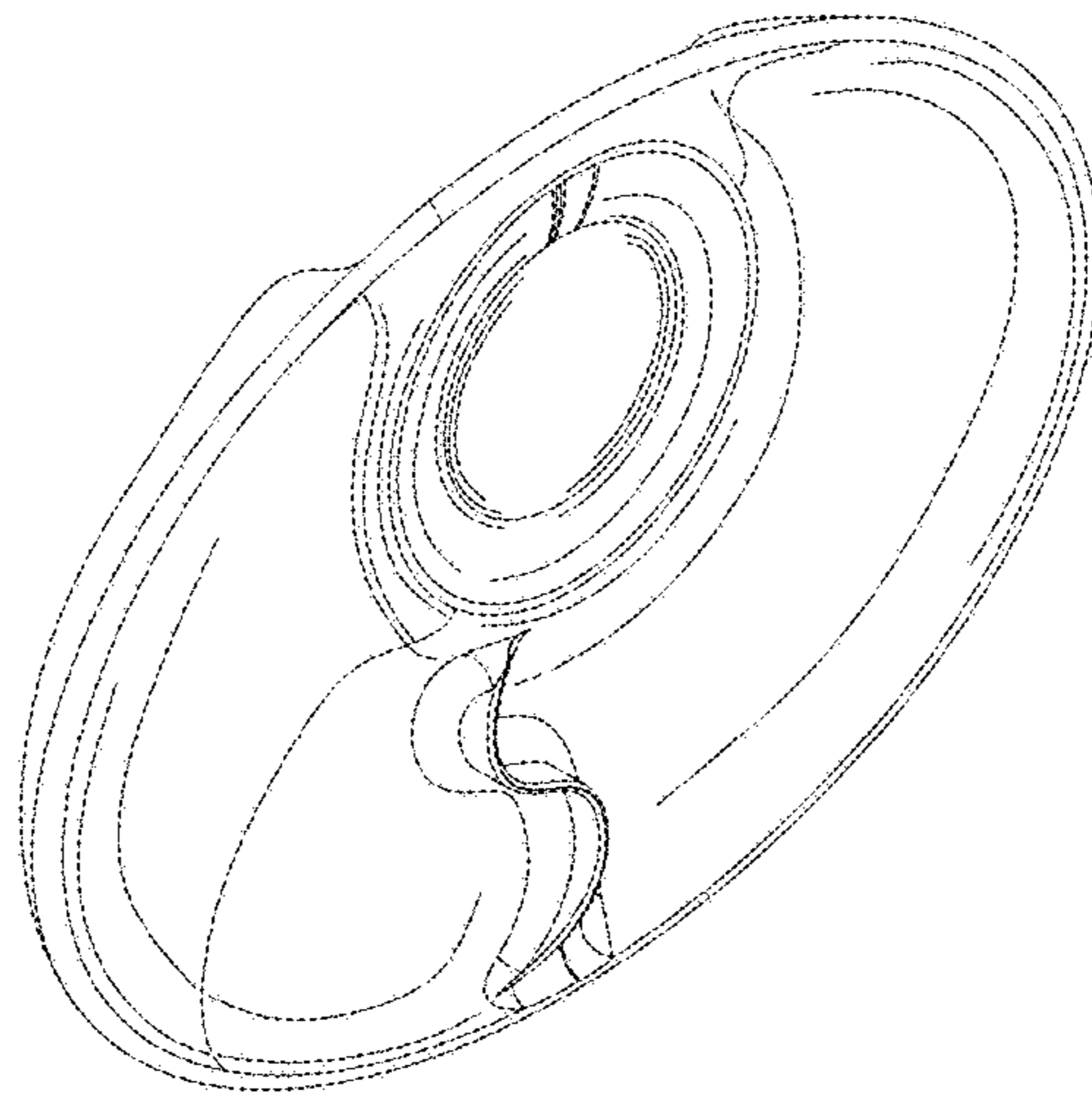


FIG. 24

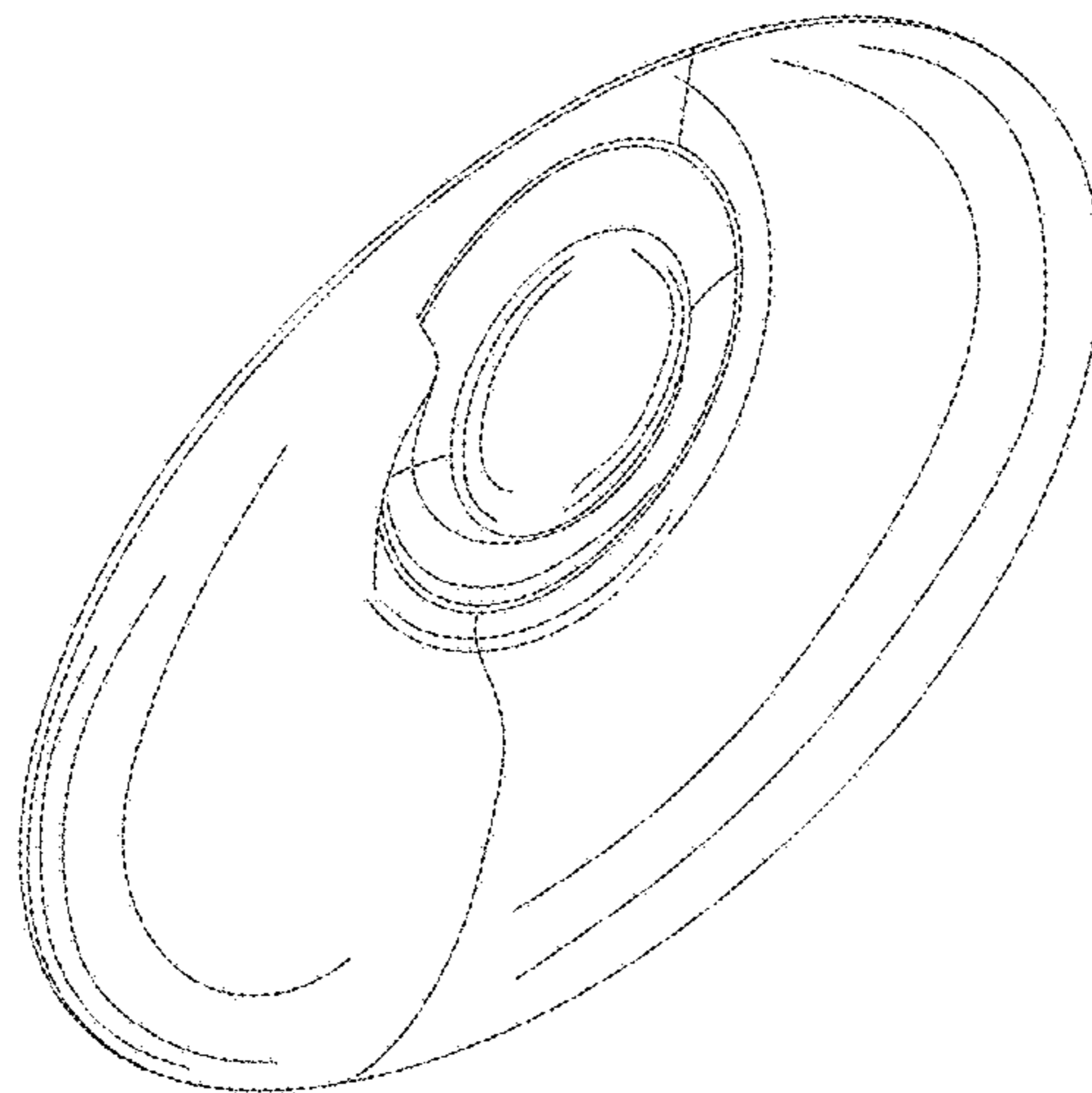


FIG. 25

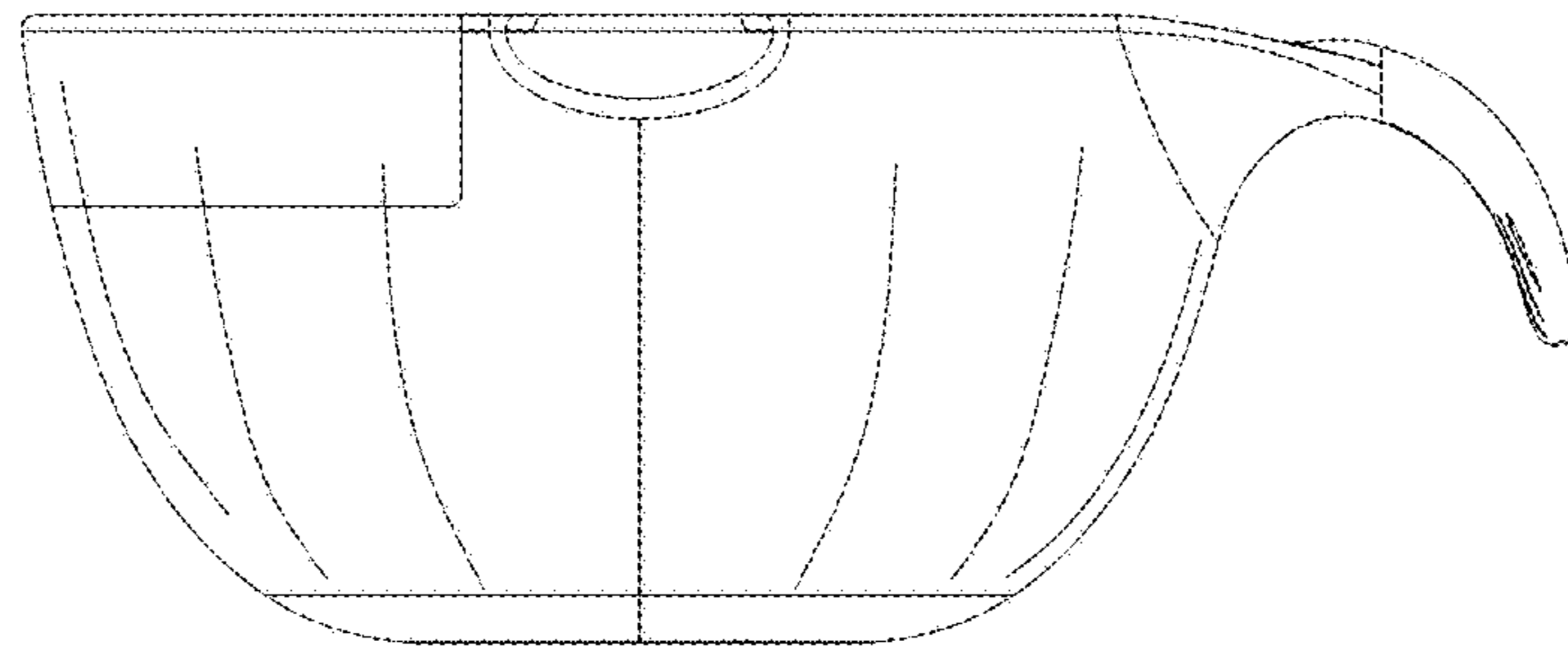


FIG. 26

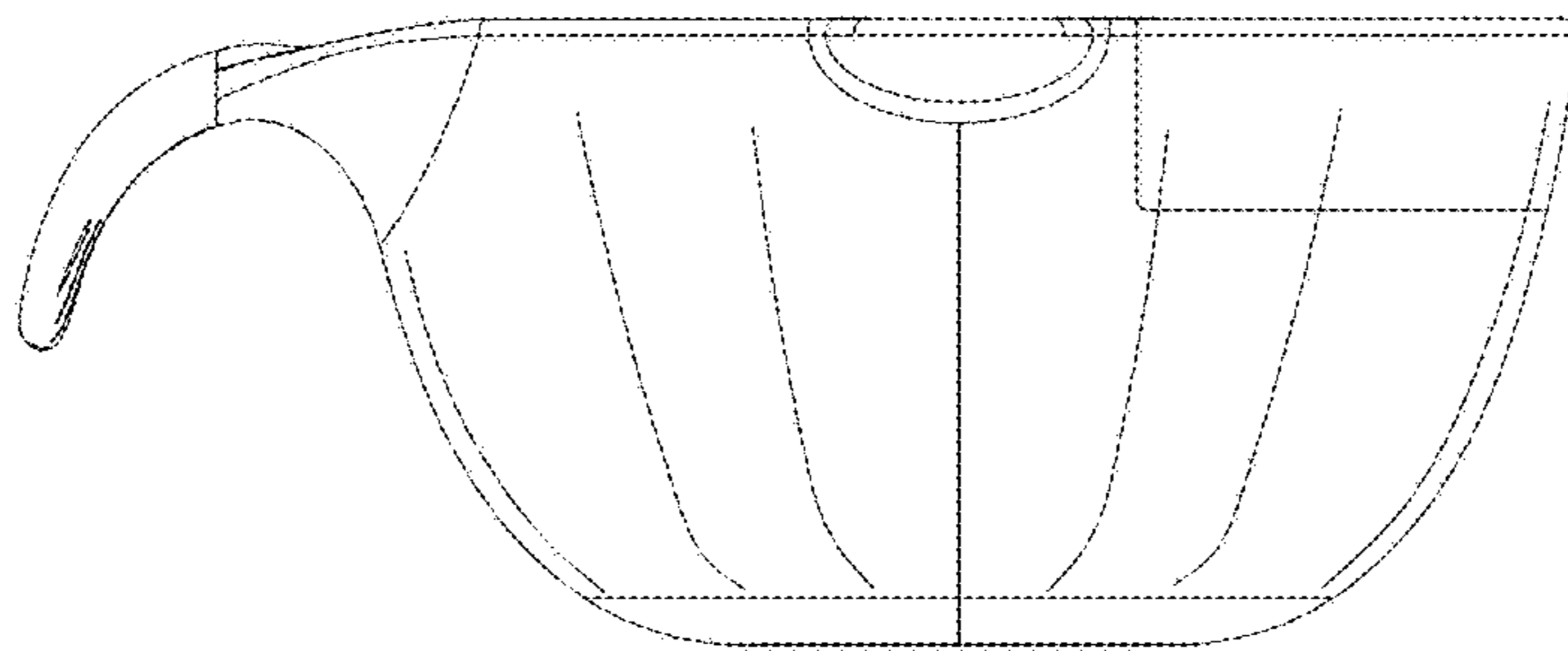


FIG. 27

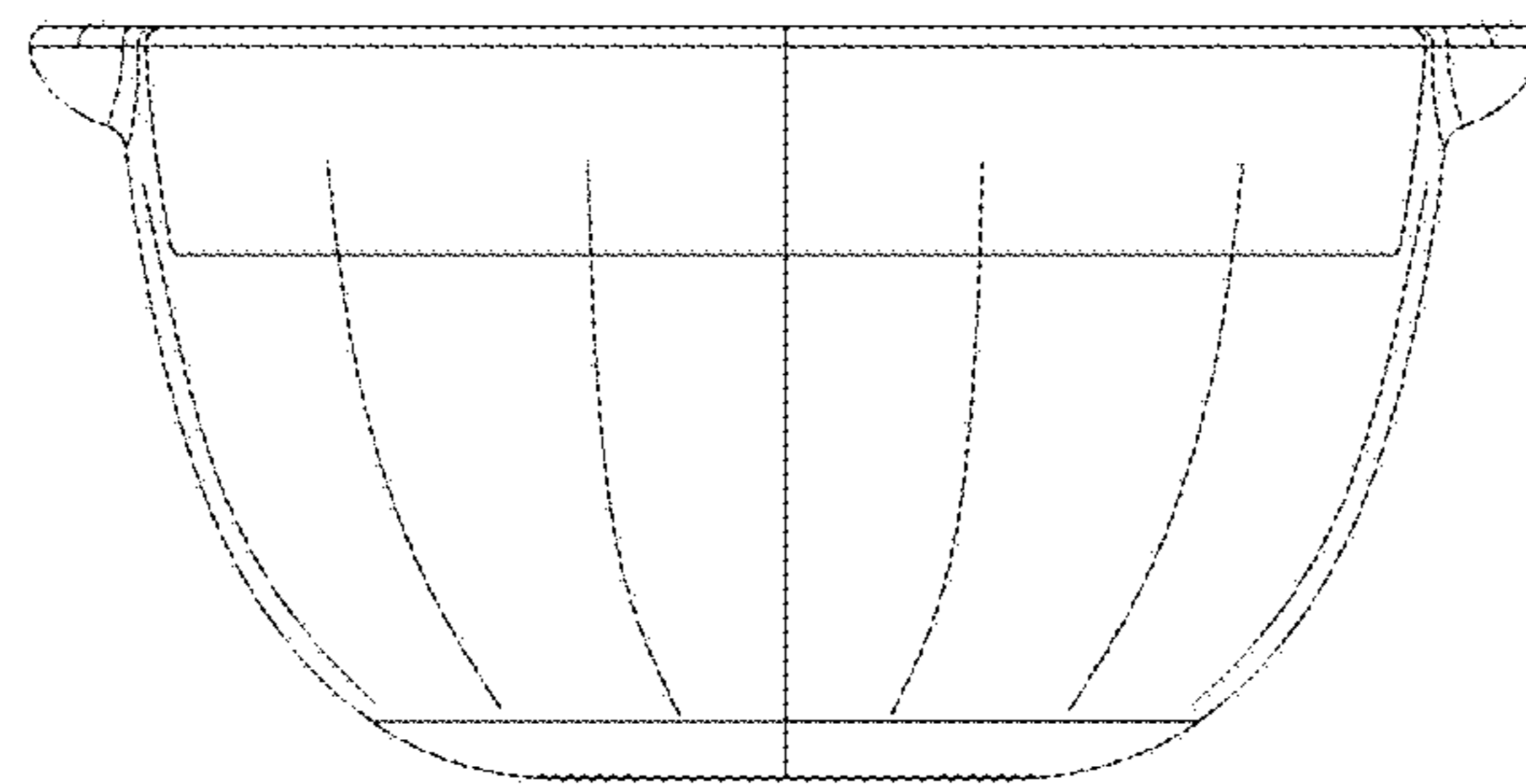


FIG. 28

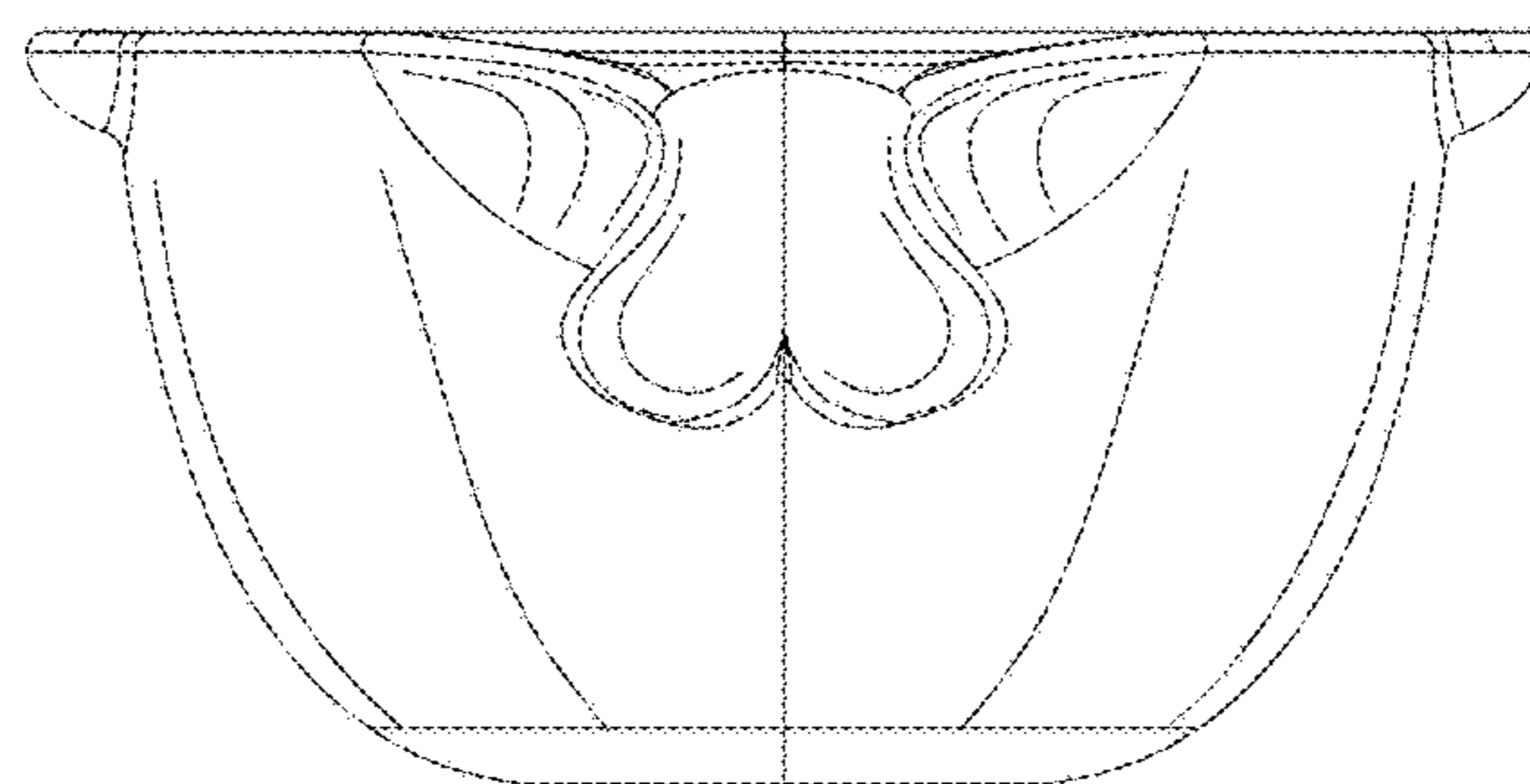


FIG. 29

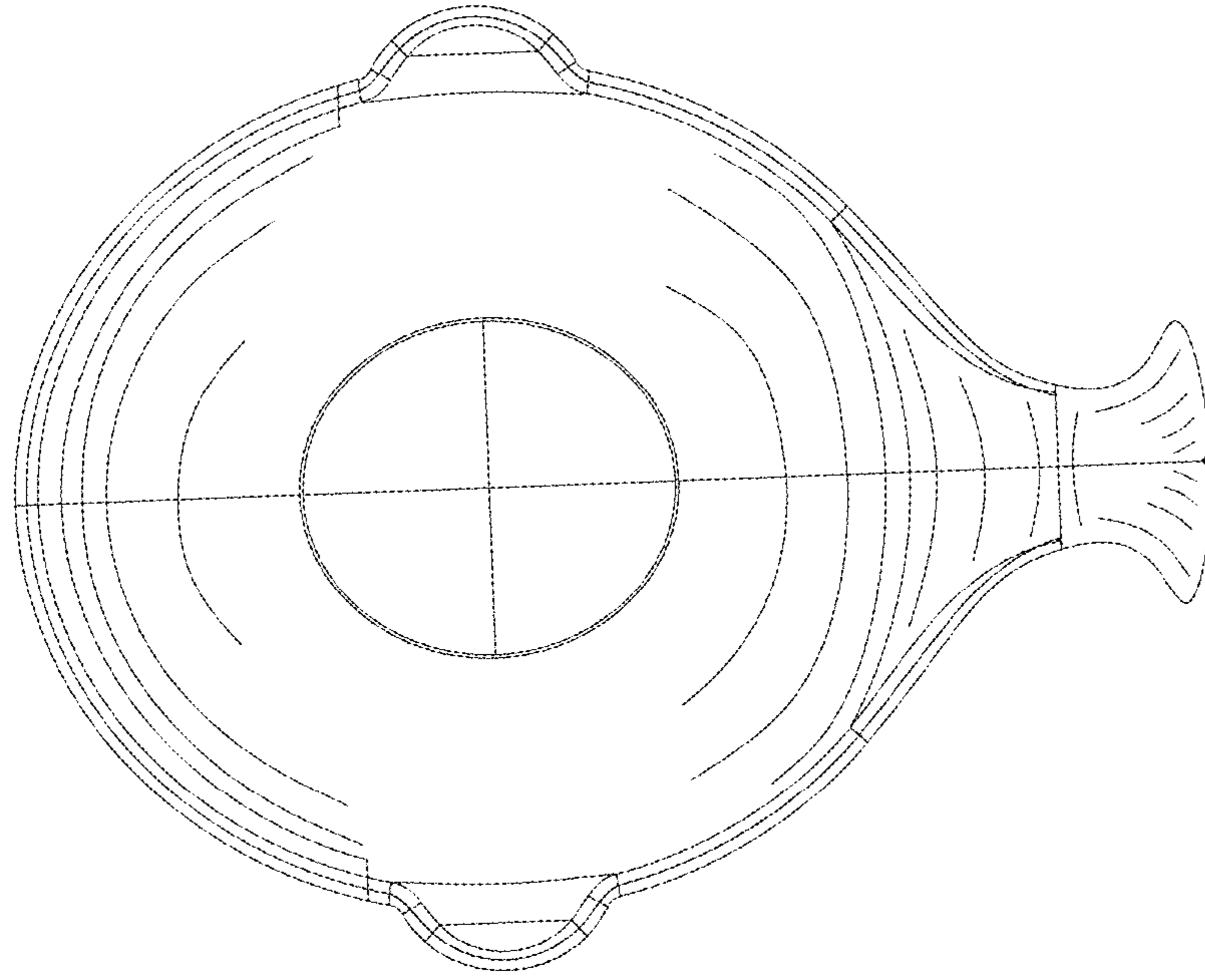


FIG. 30

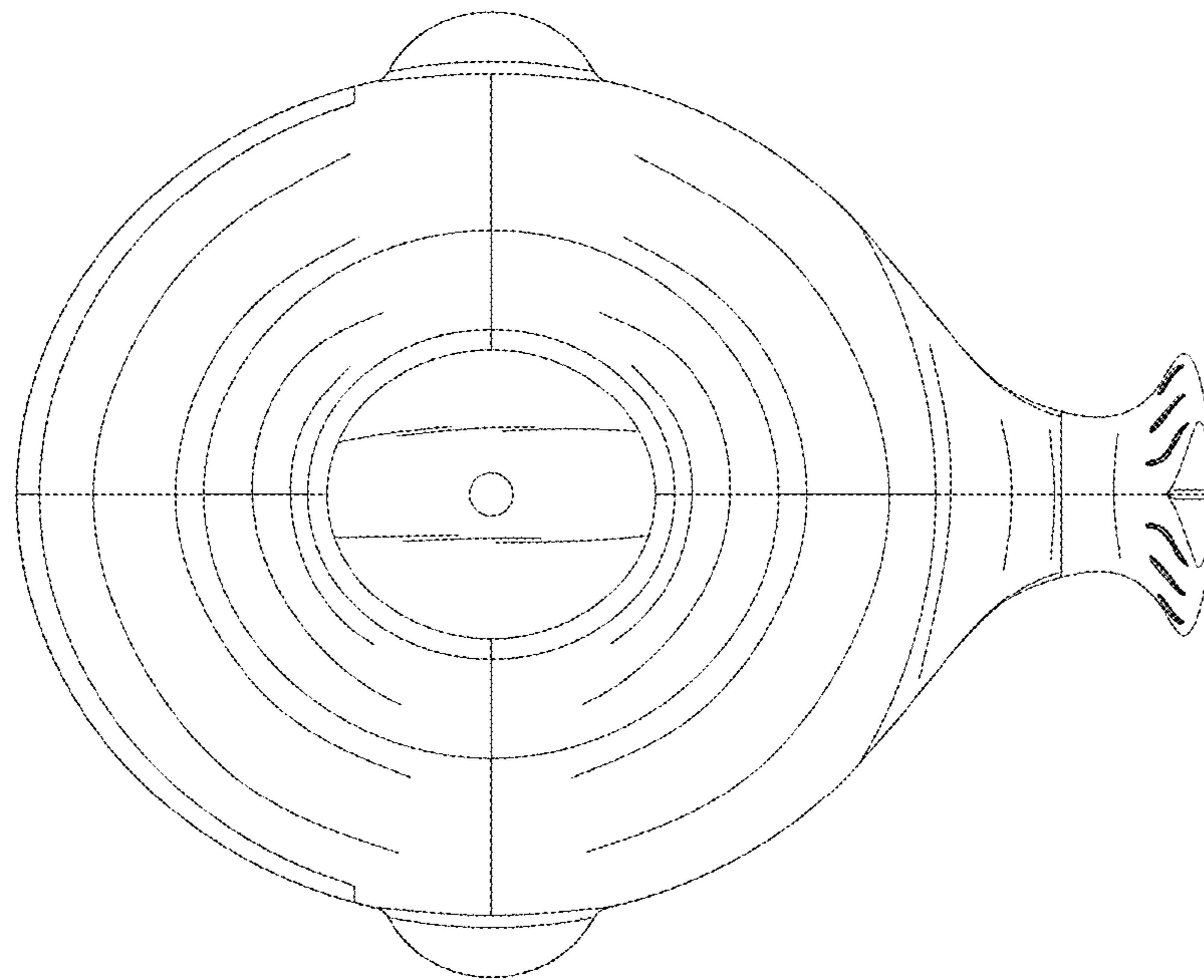


FIG. 31

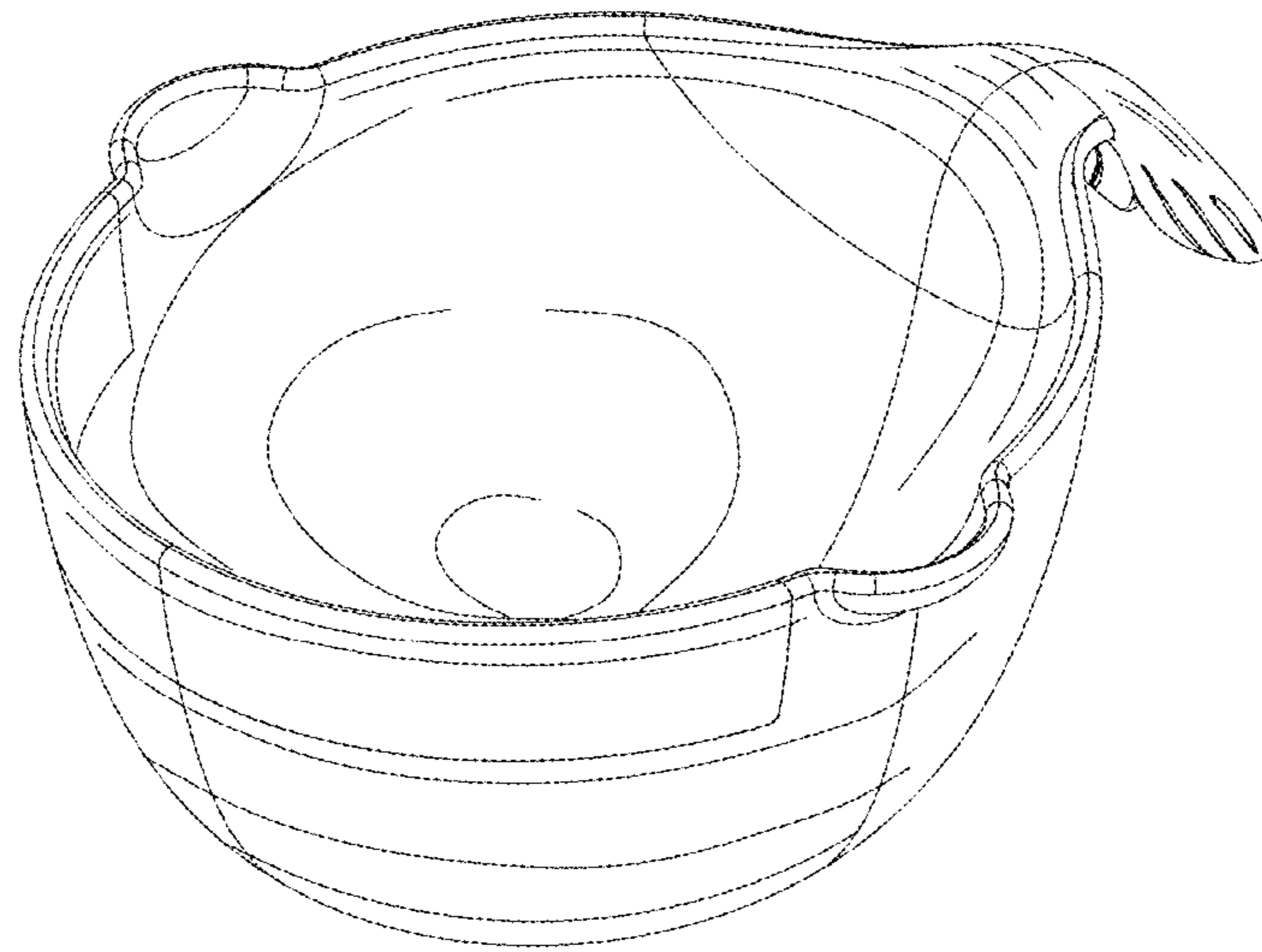


FIG. 32

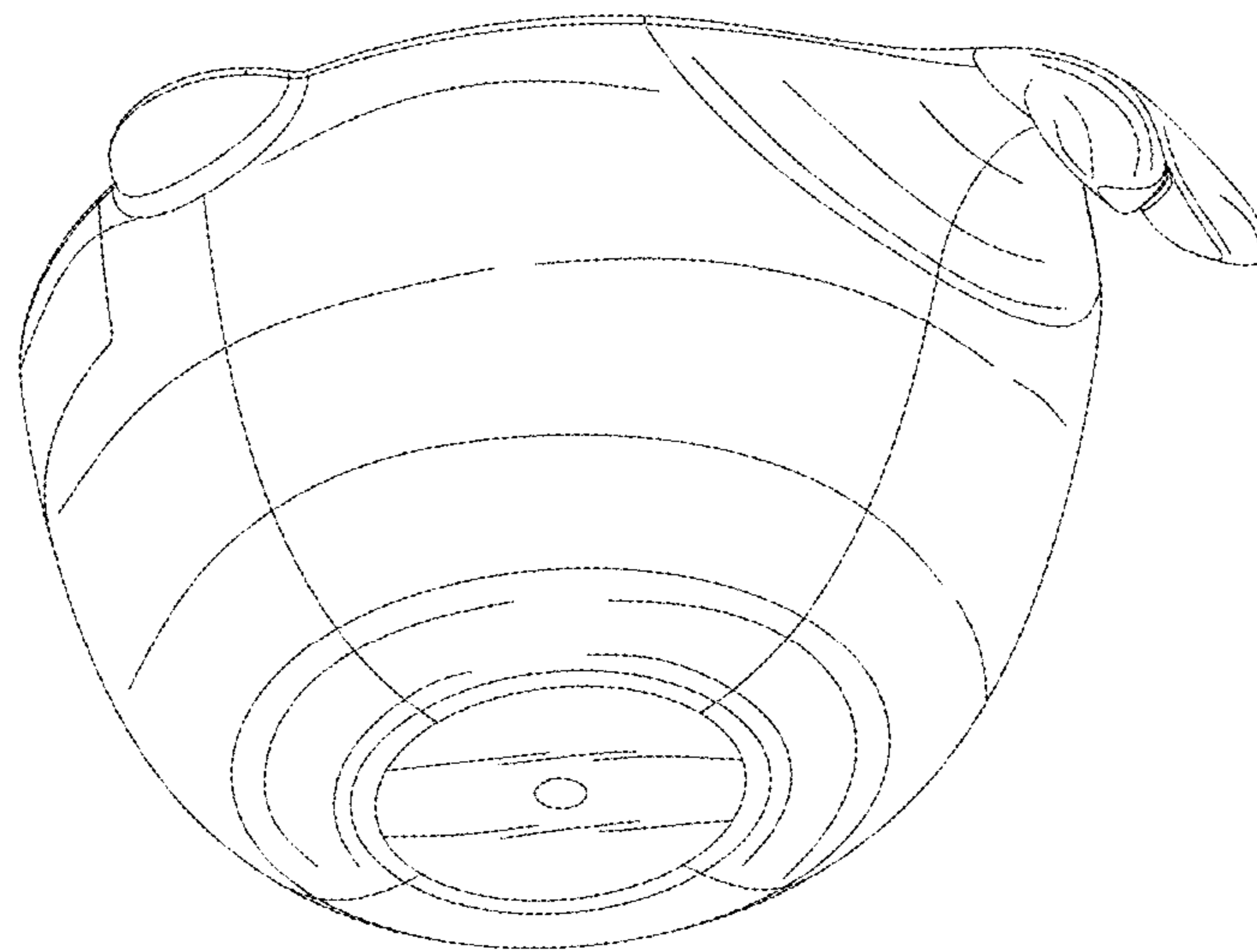


FIG. 33

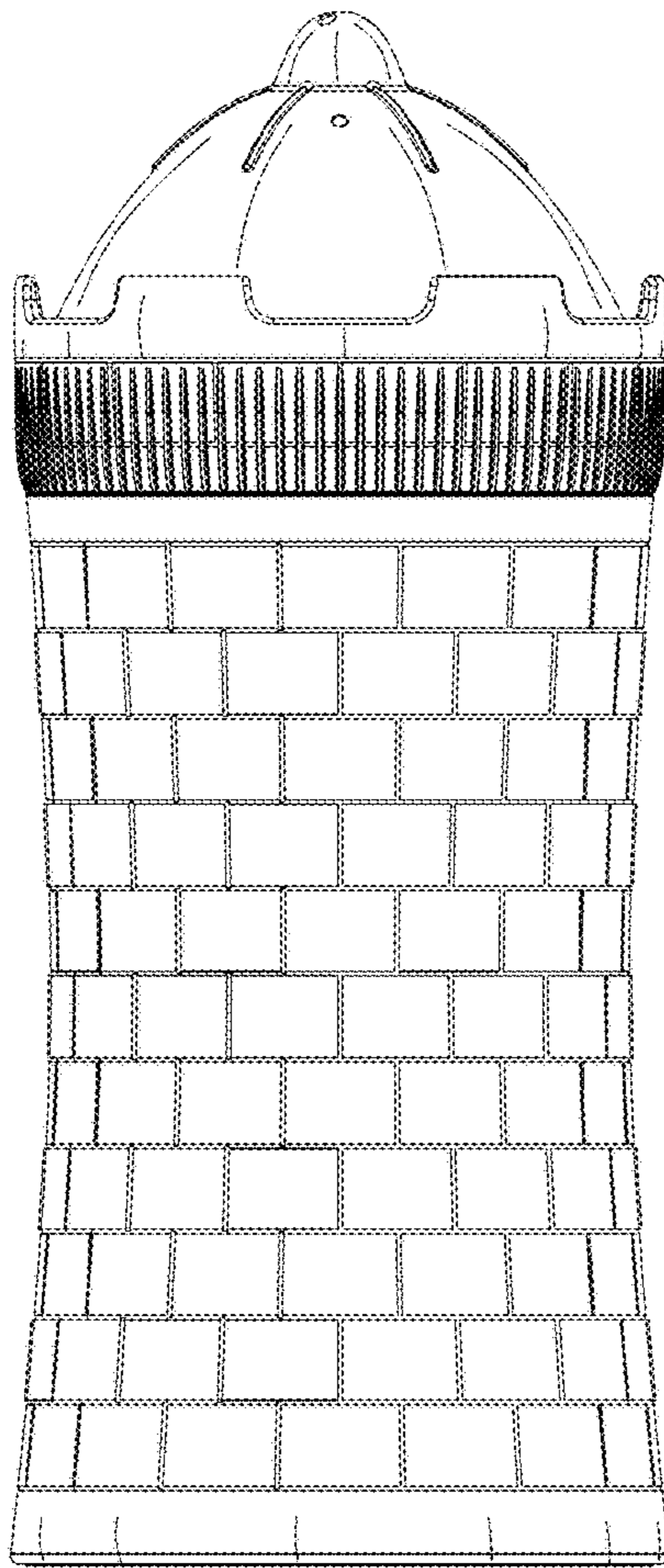


FIG. 34

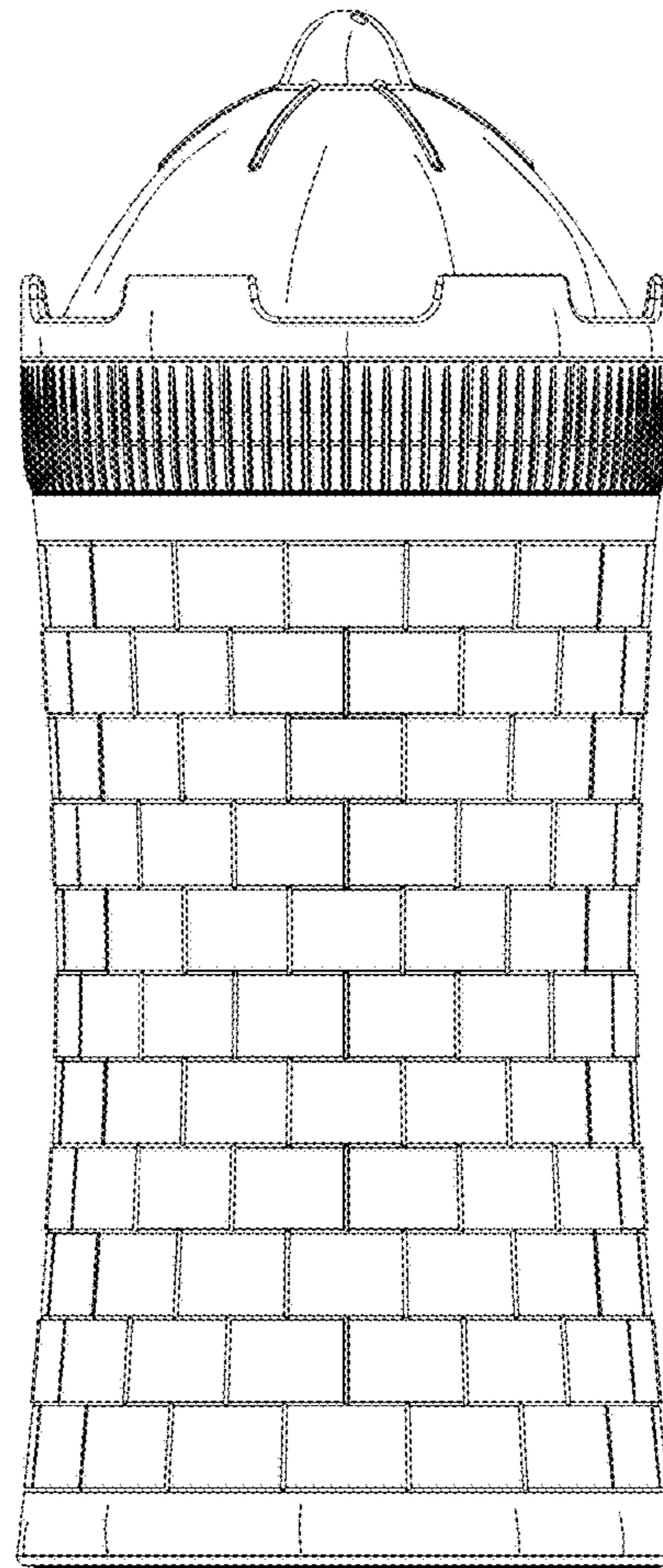


FIG. 35

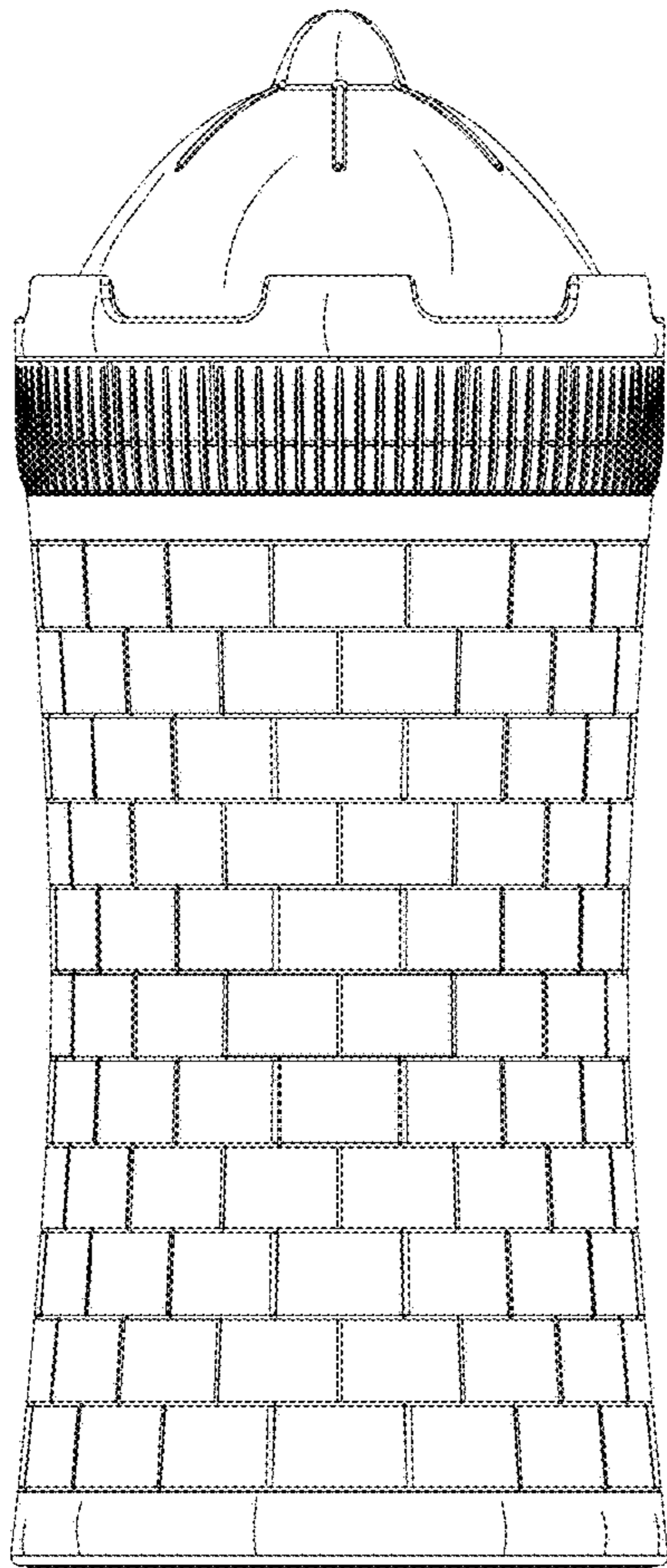


FIG. 36

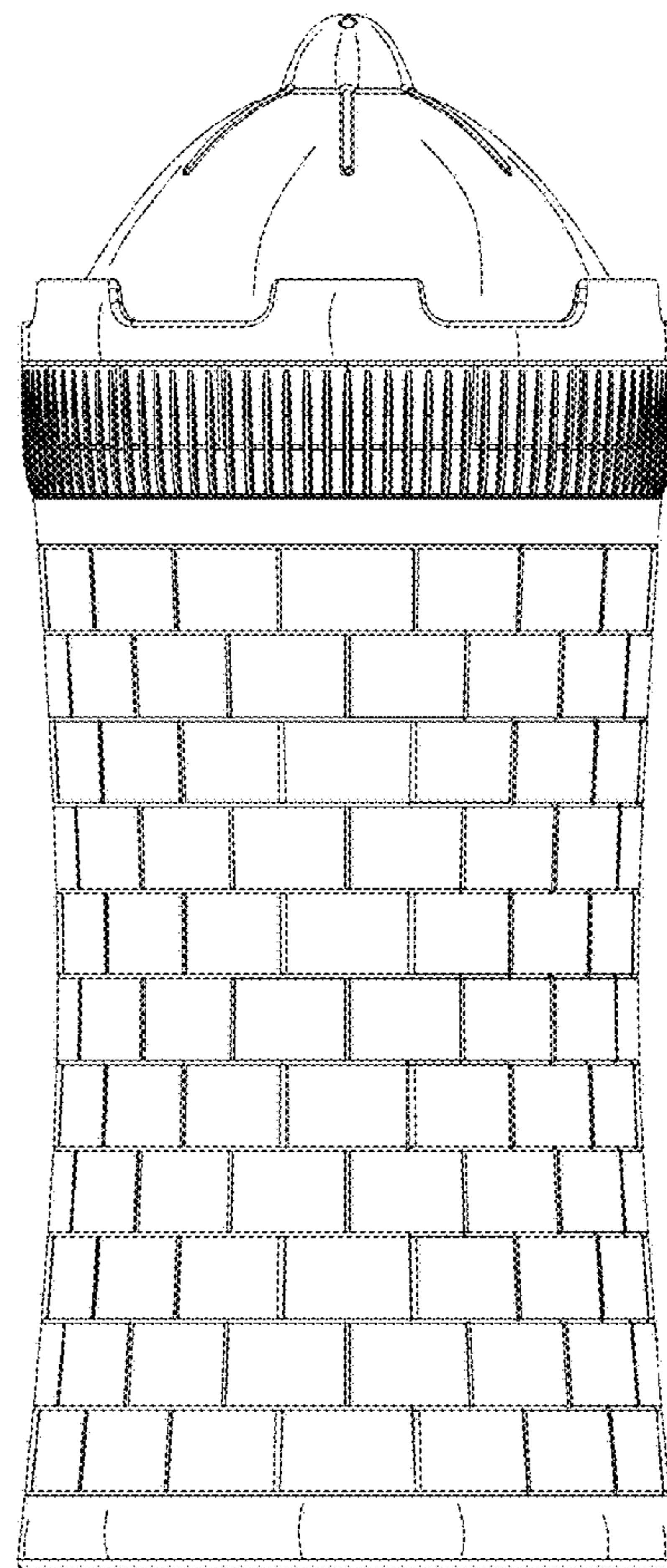


FIG. 37

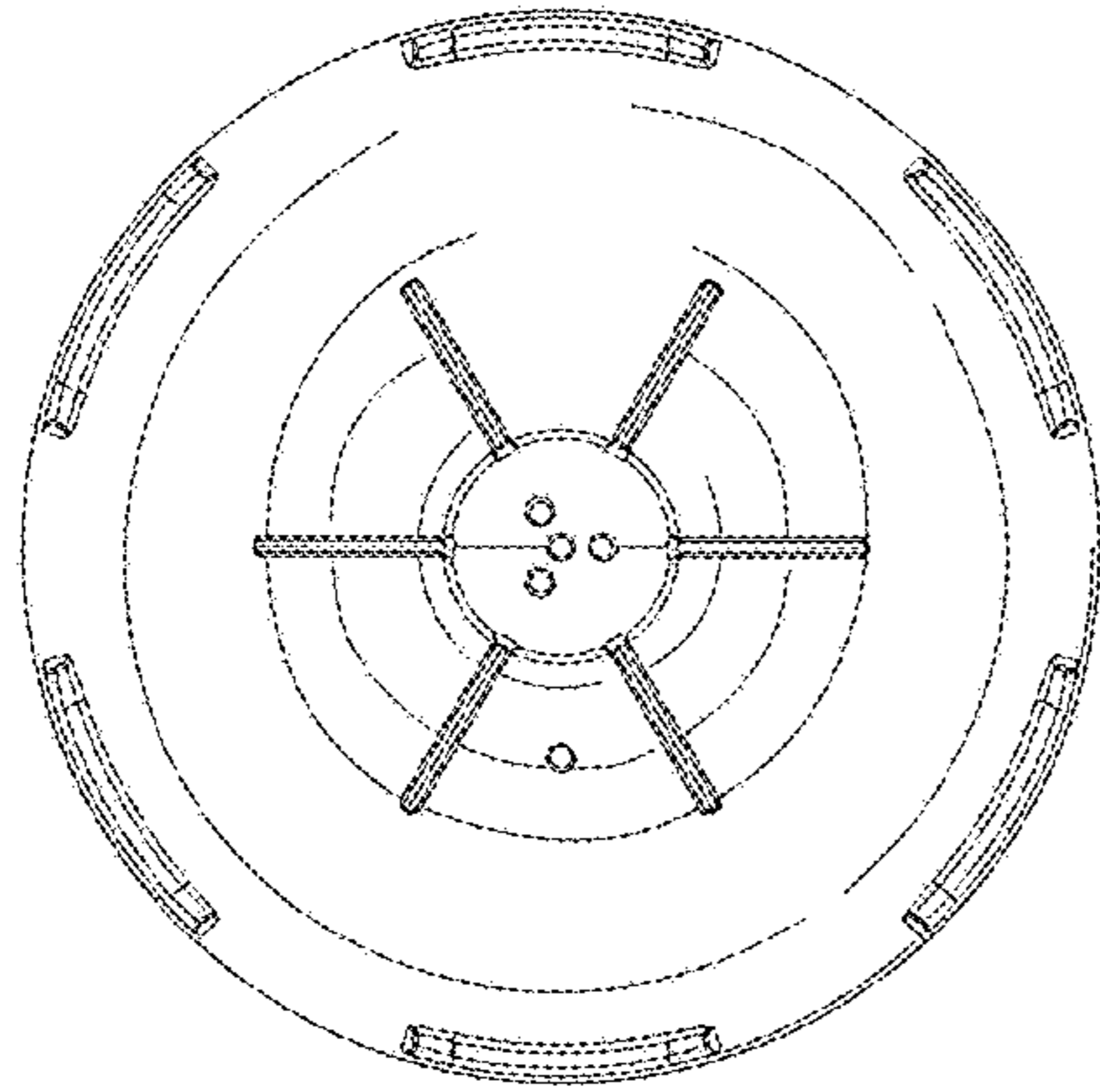


FIG. 38

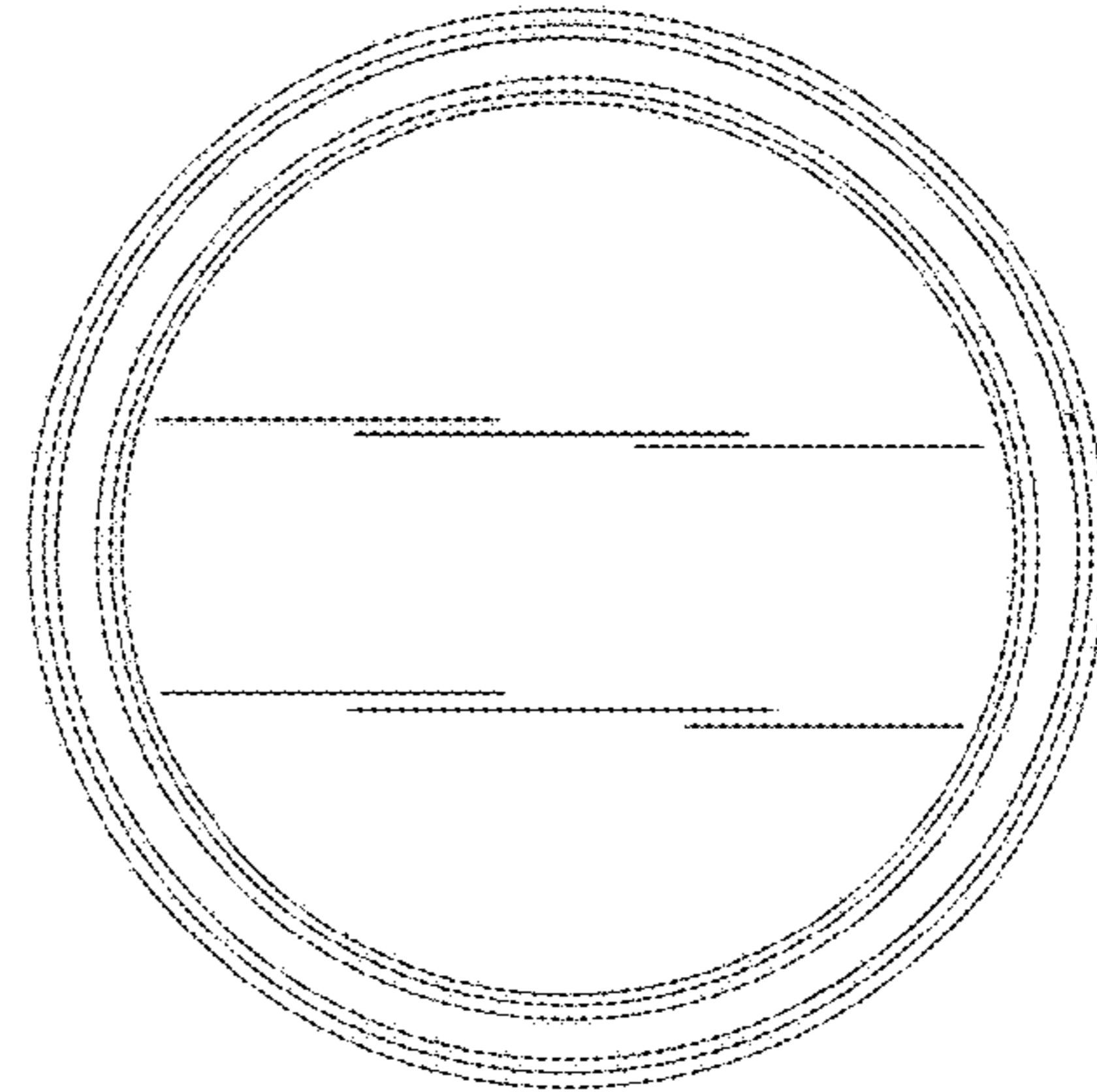


FIG. 39

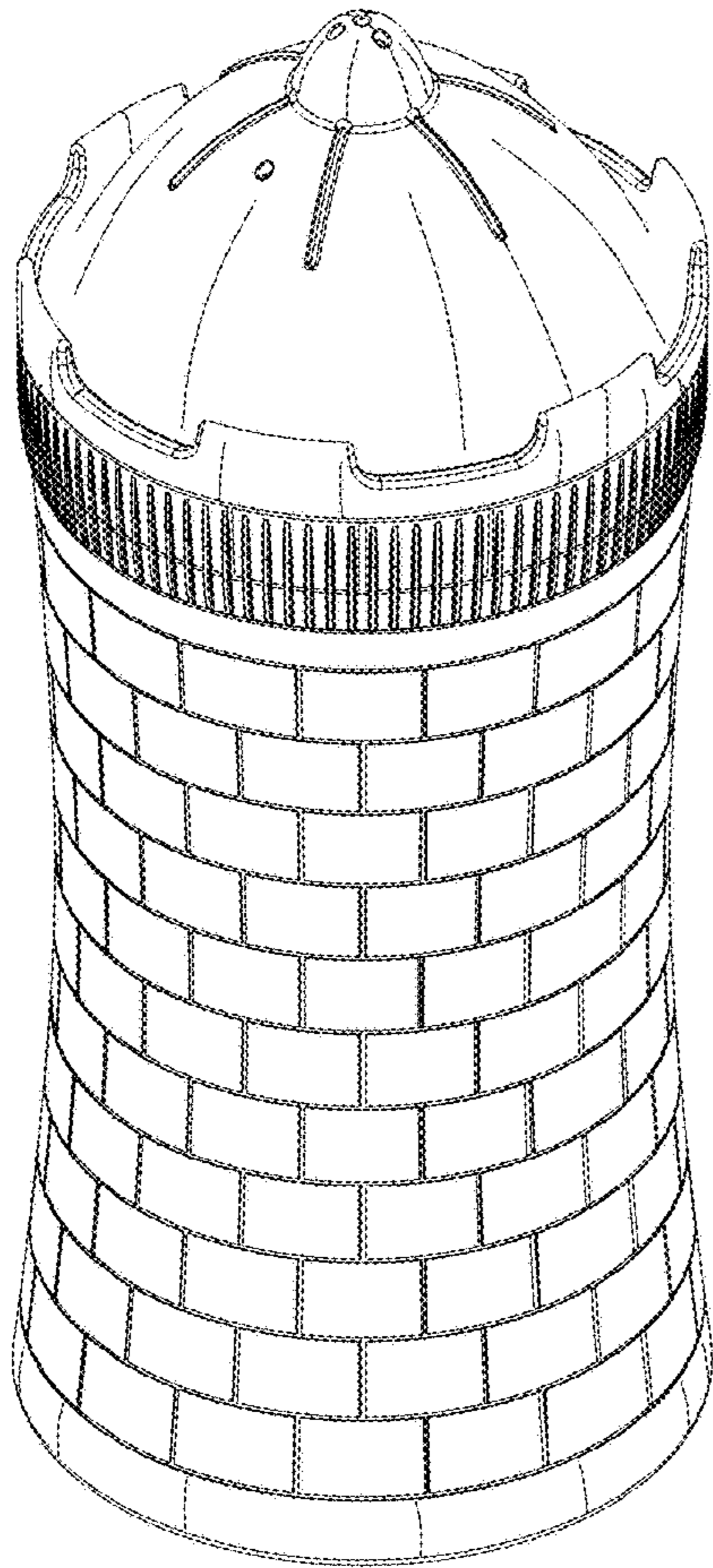


FIG. 40

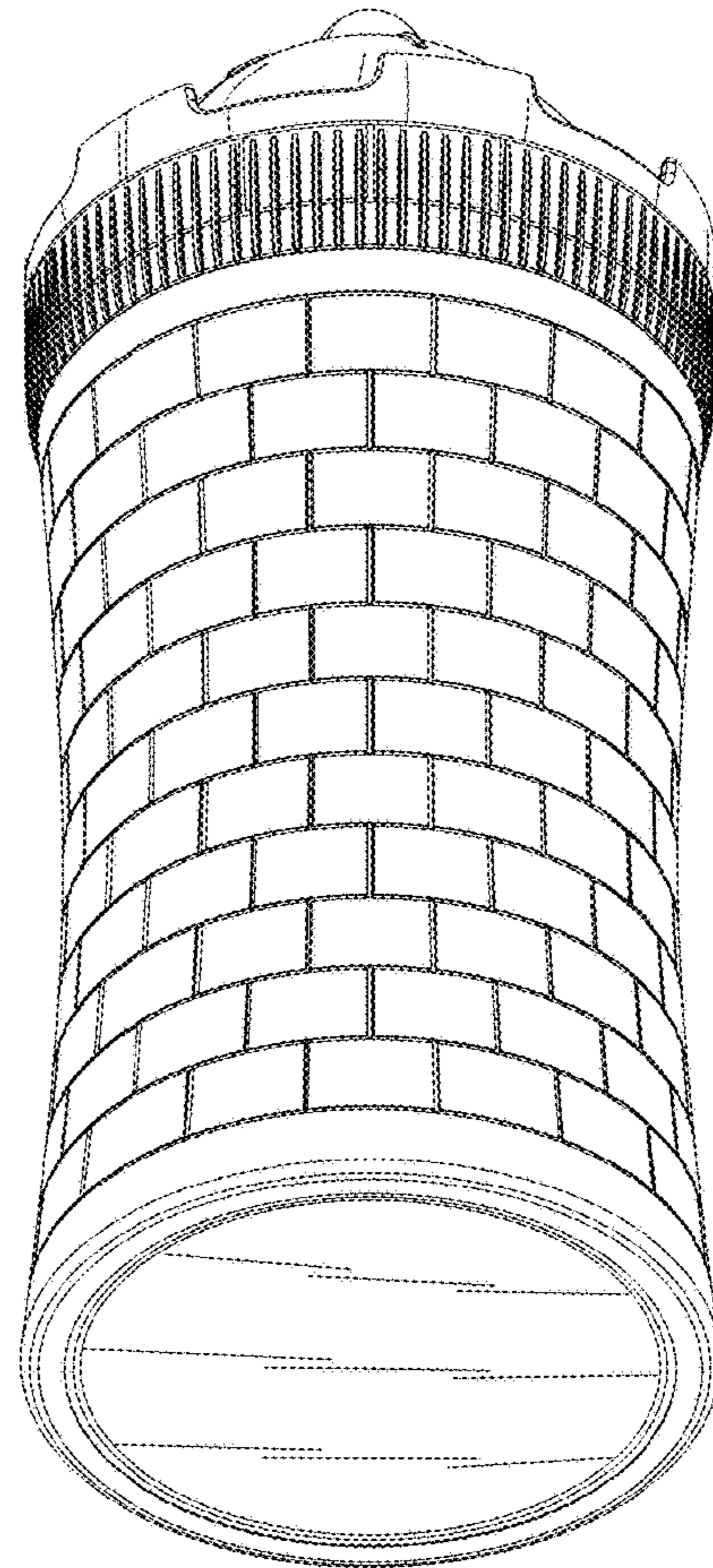


FIG. 41

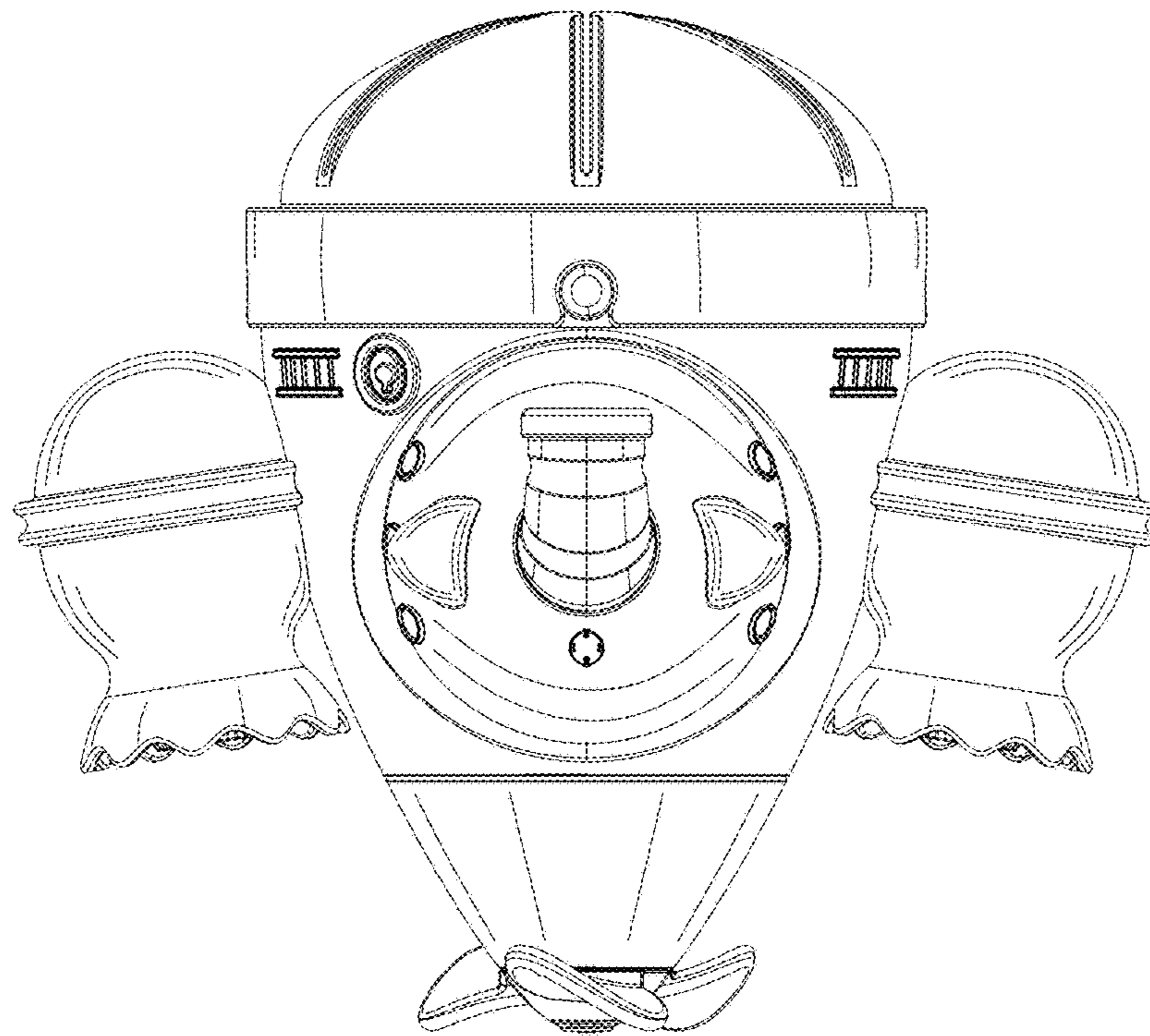


FIG. 42

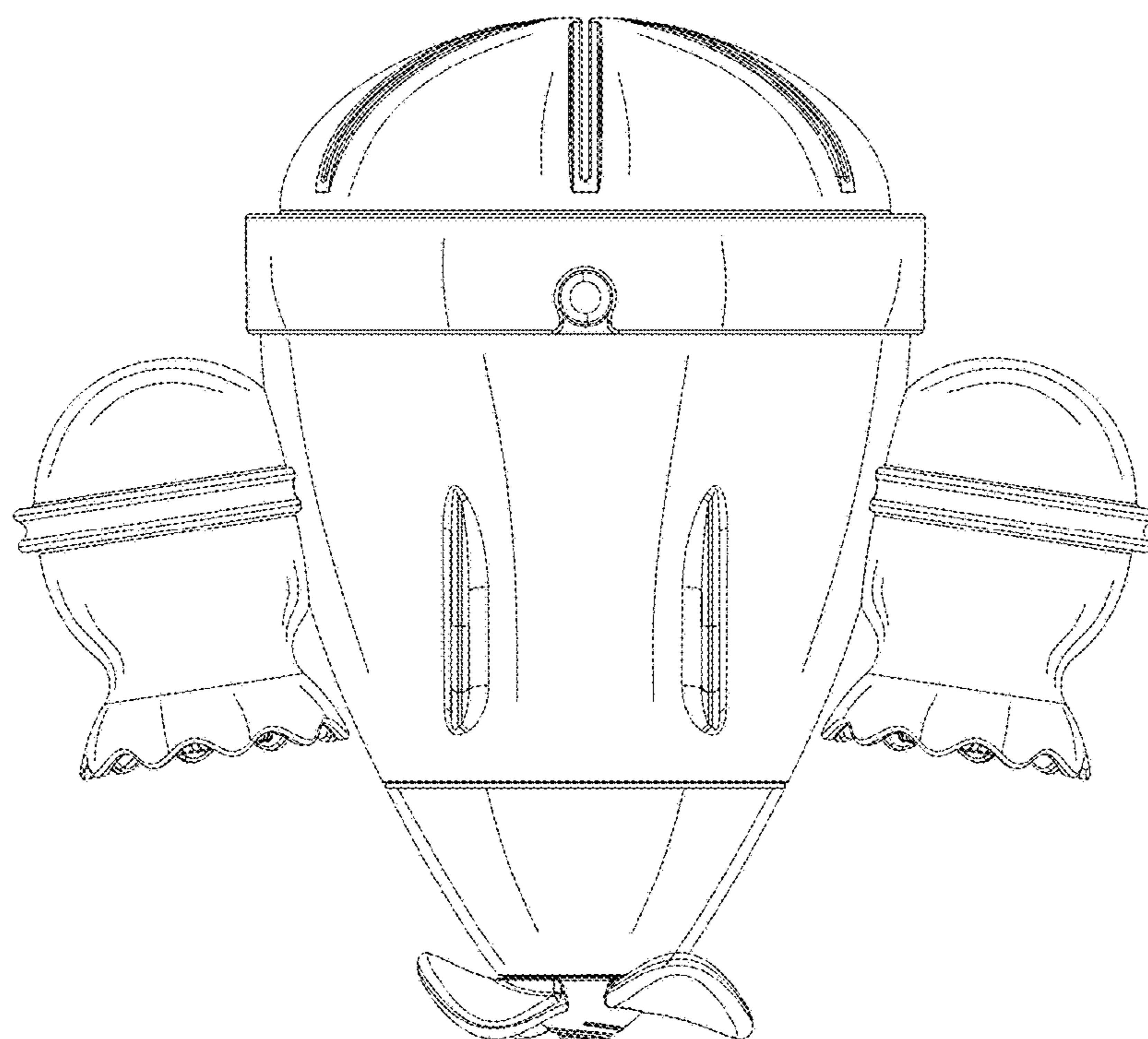


FIG. 43

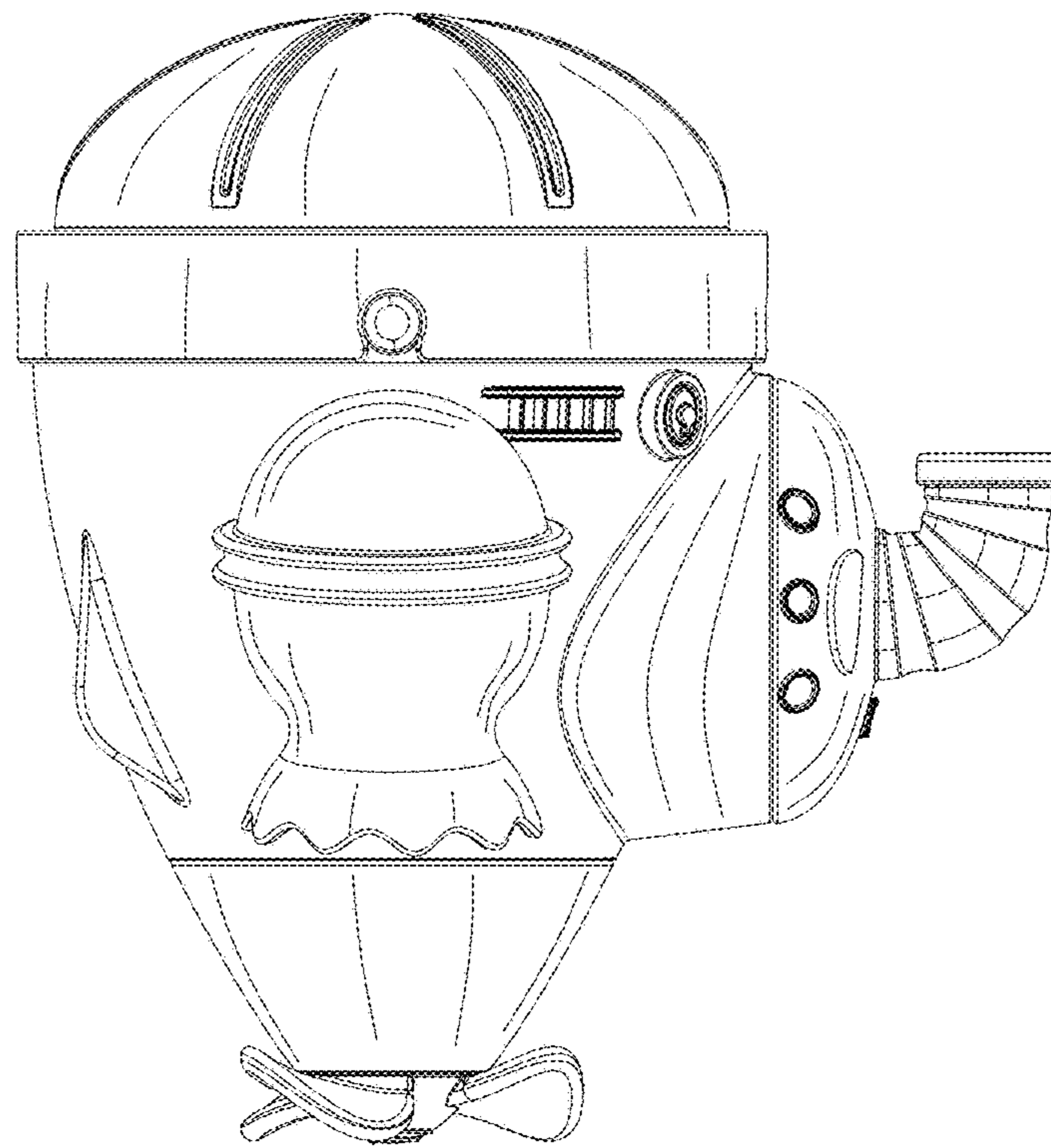


FIG. 44

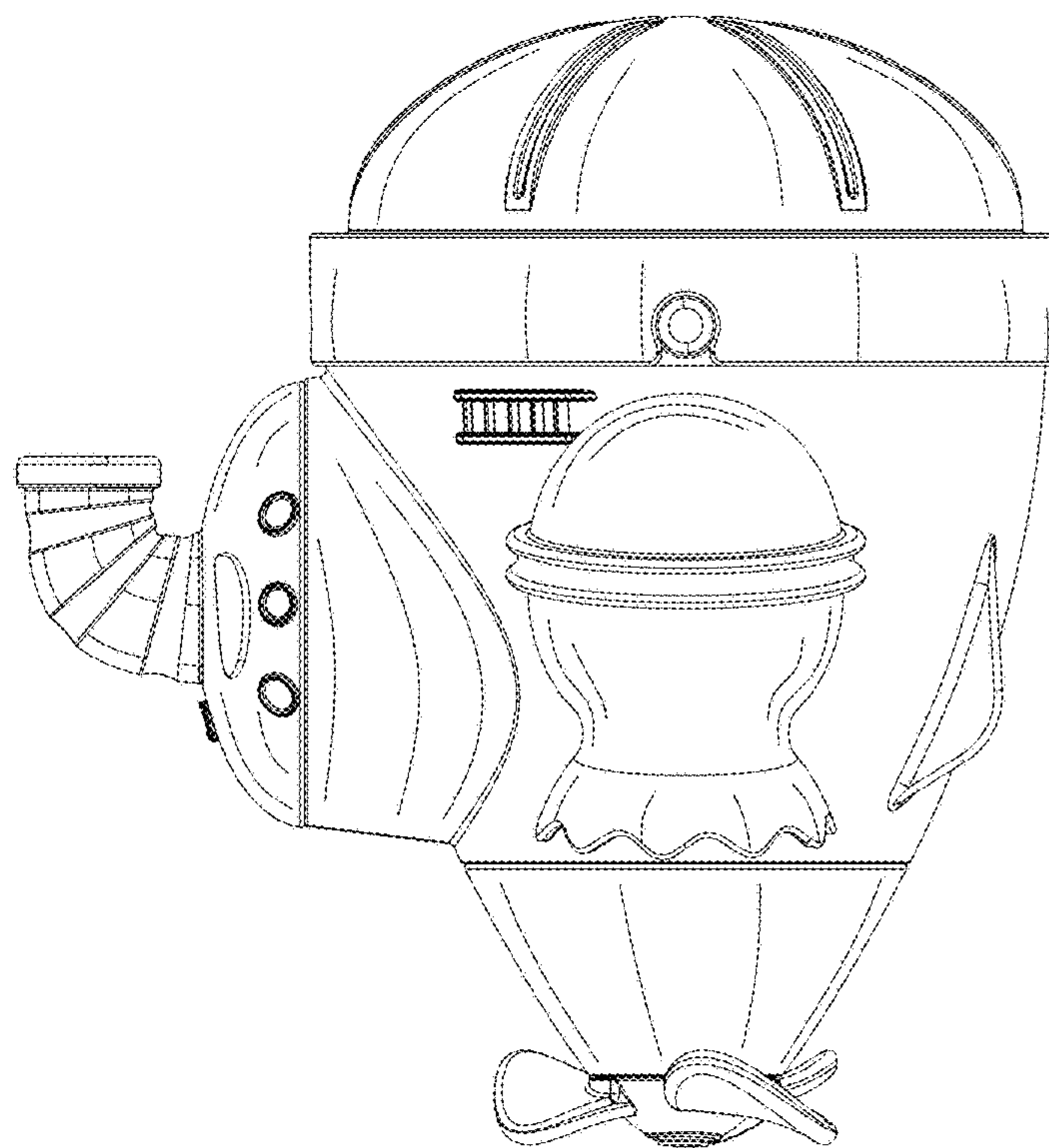


FIG. 45

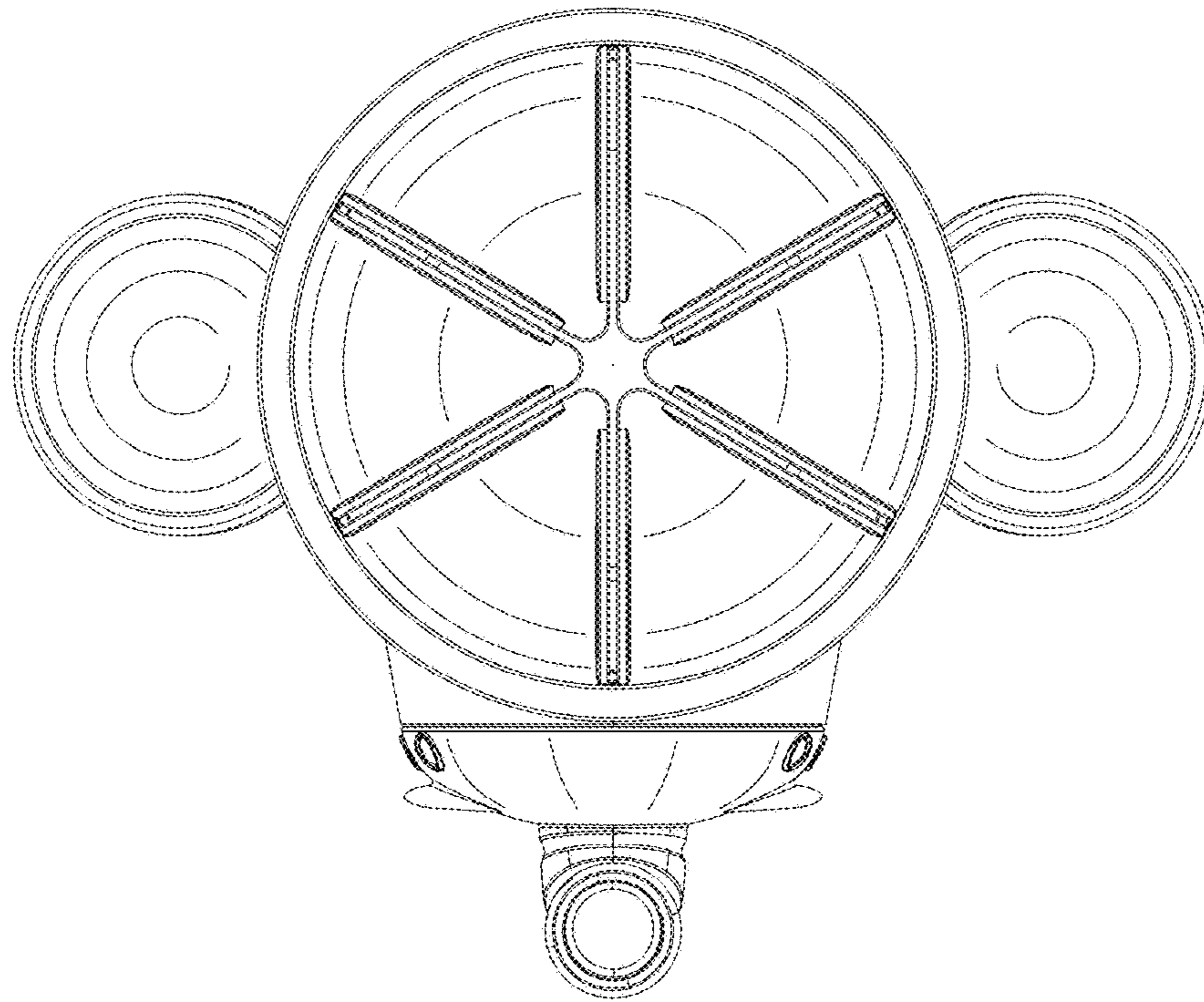


FIG. 46

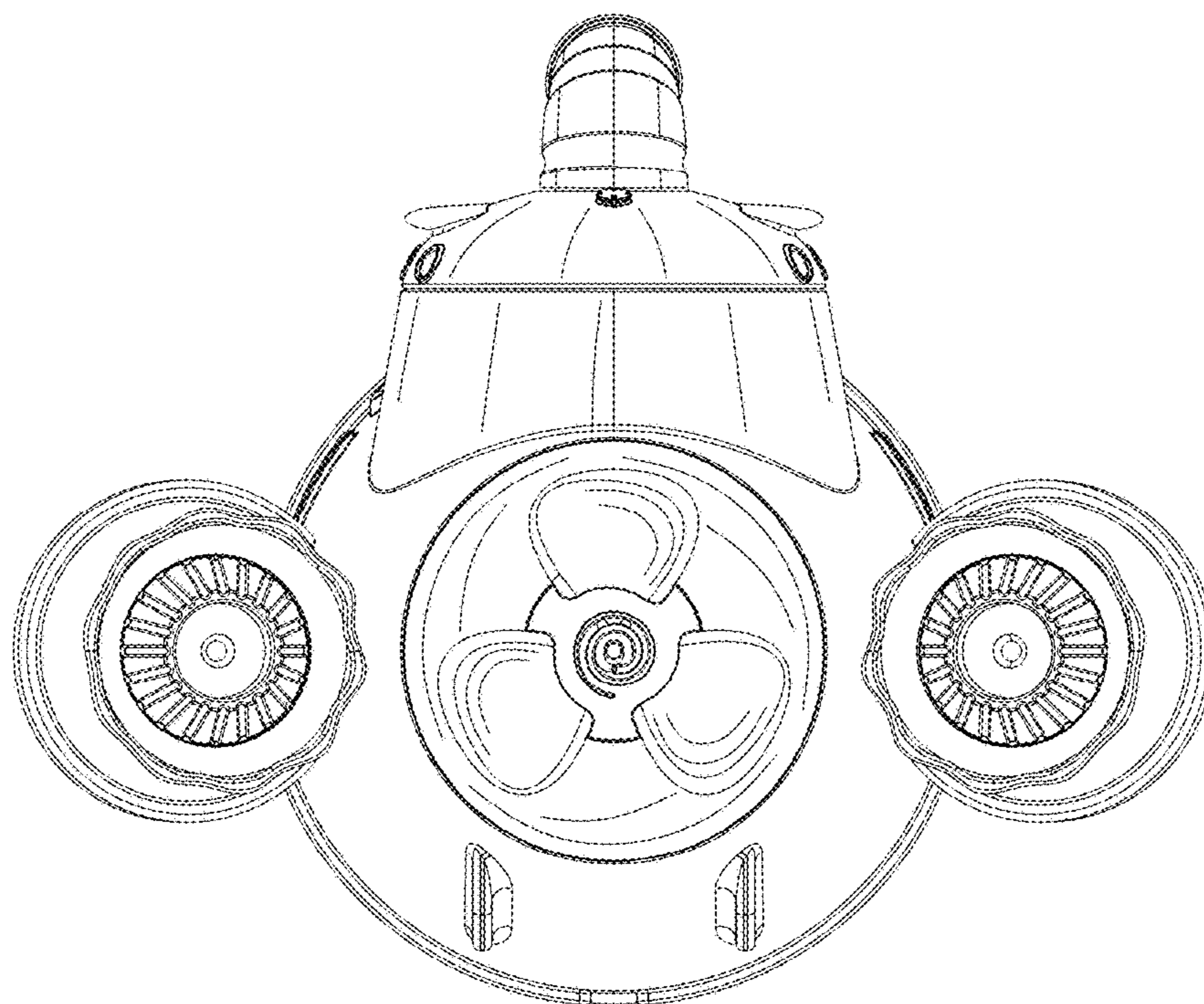


FIG. 47

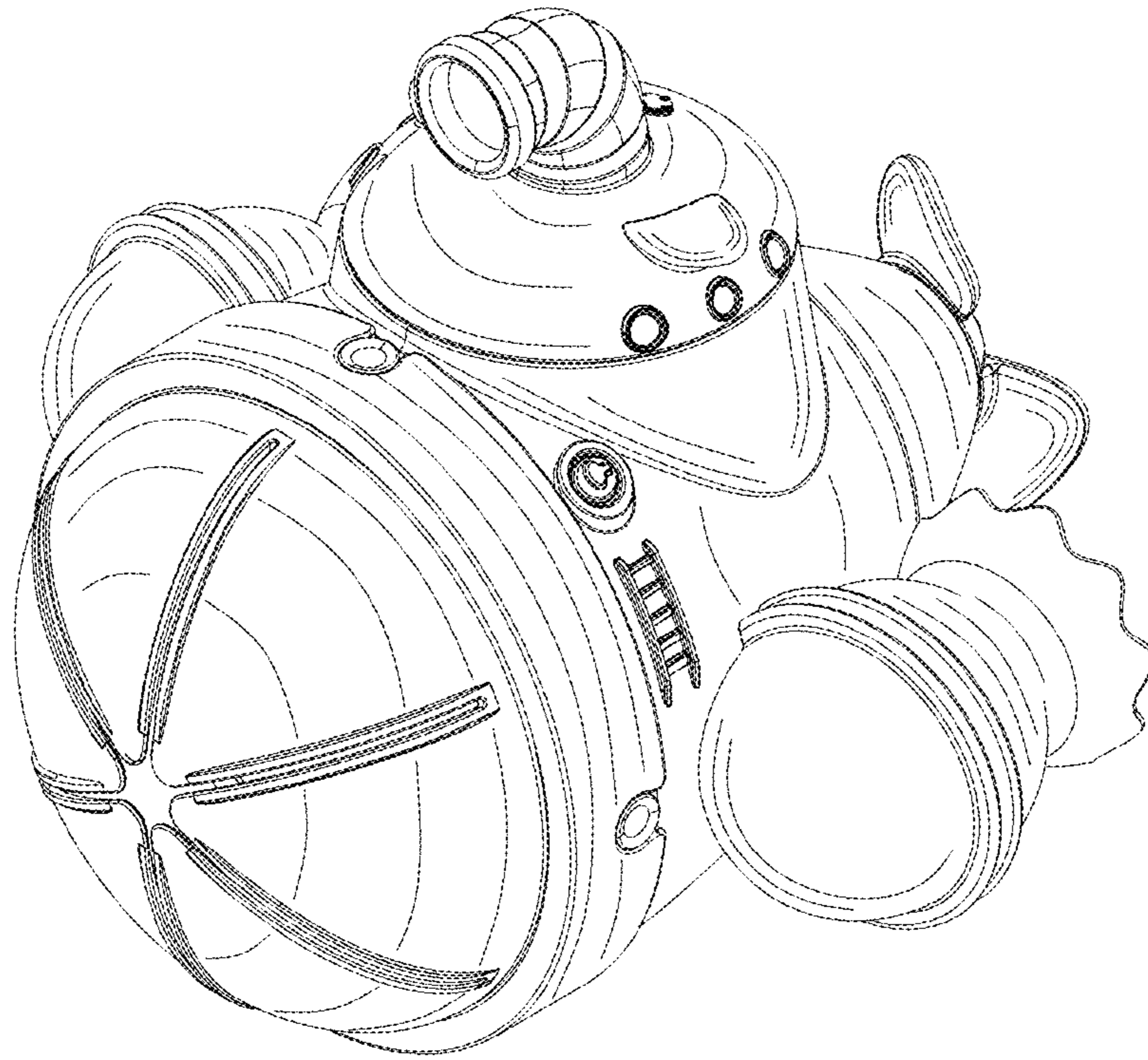


FIG. 48

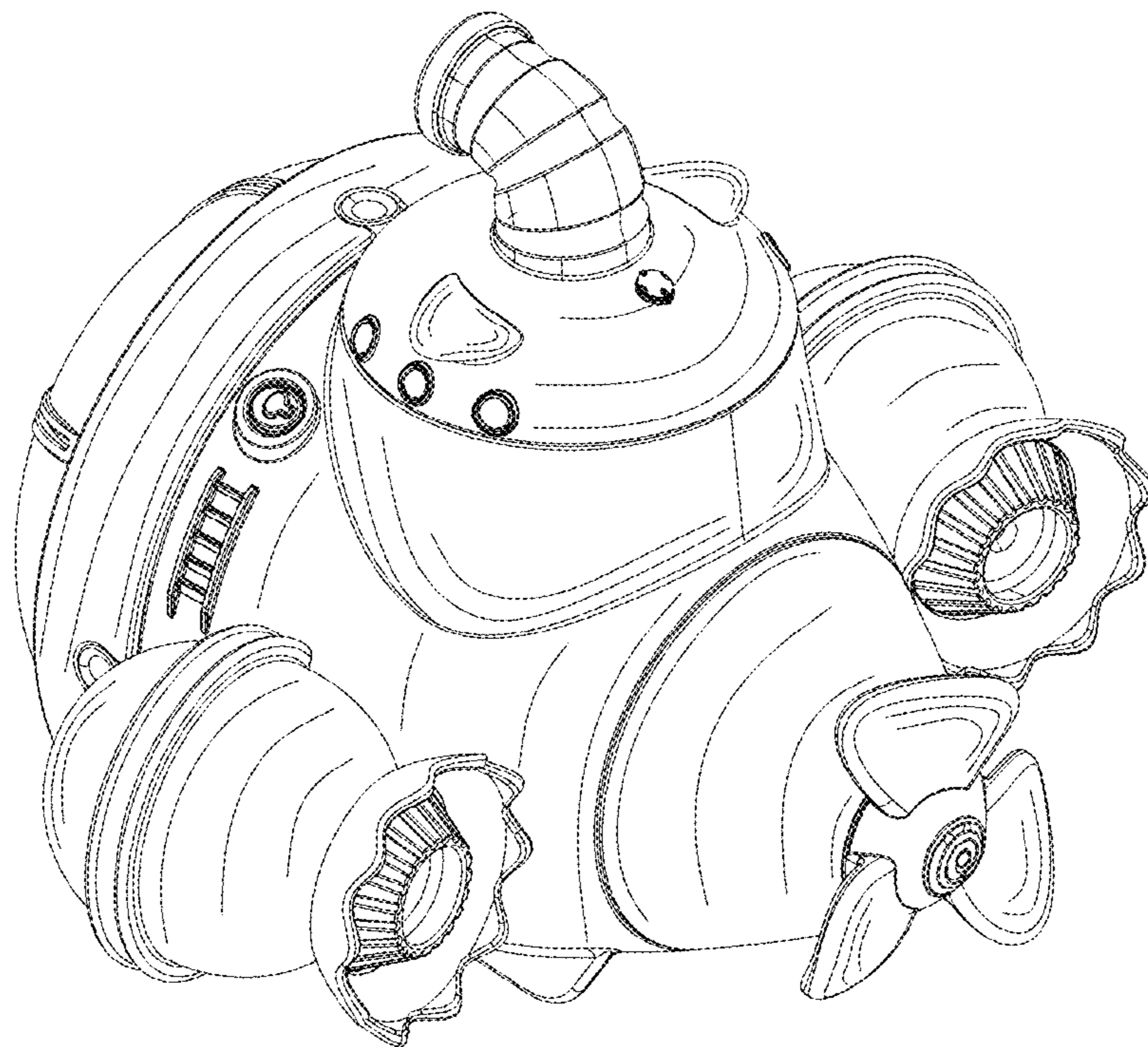


FIG. 49

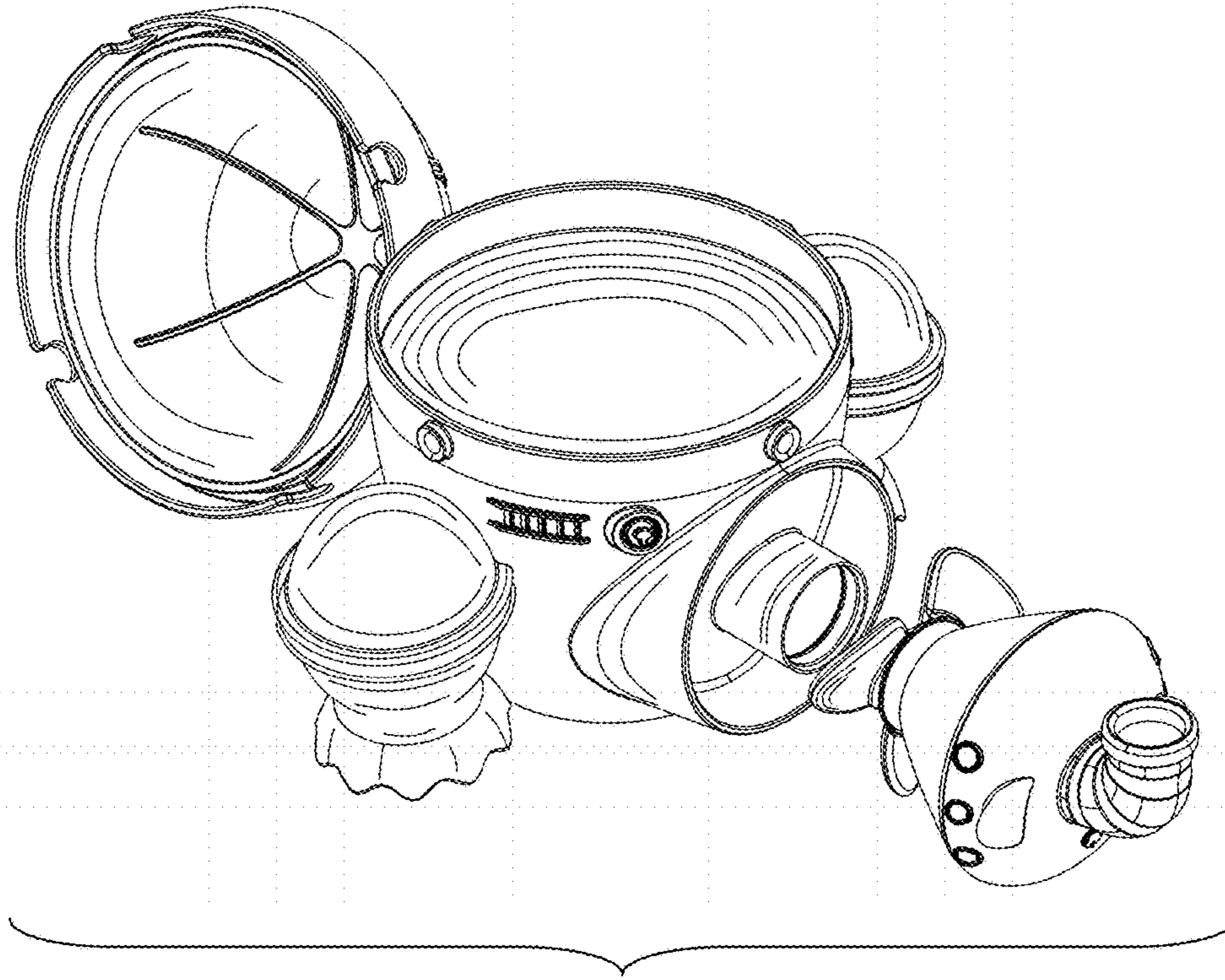


FIG. 50

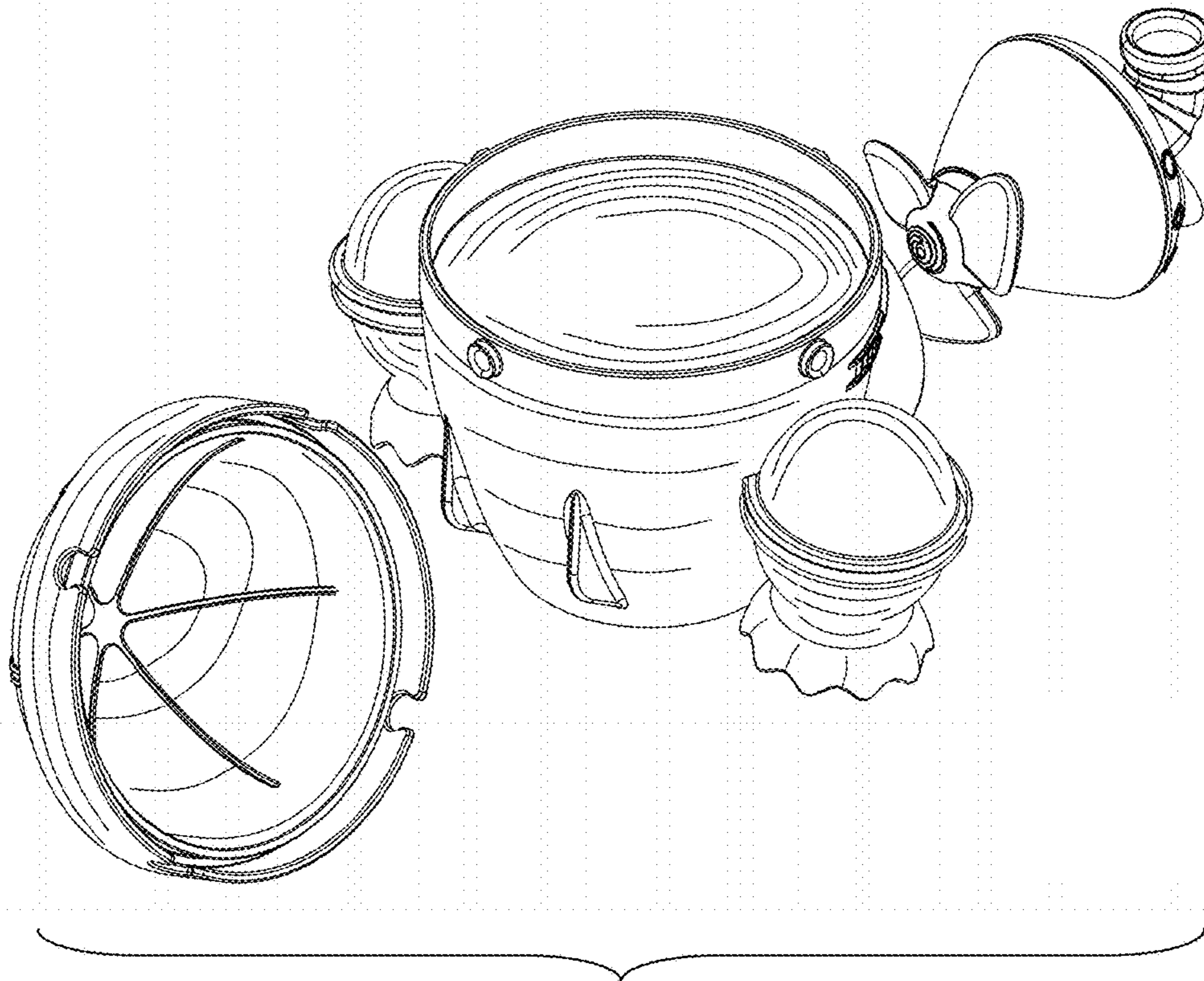


FIG. 51