



US00D815899S

(12) **United States Design Patent** (10) **Patent No.:** **US D815,899 S**  
**Lira-Nunez et al.** (45) **Date of Patent:** **\*\* \*Apr. 24, 2018**

(54) **GRILL STAND**

(56) **References Cited**

(71) Applicants: **Carmen O. Lira-Nunez**, Downers Grove, IL (US); **R. Sonny Siazon**, Woodstock, IL (US); **Mark R. Pavel**, Lisle, IL (US)

(72) Inventors: **Carmen O. Lira-Nunez**, Downers Grove, IL (US); **R. Sonny Siazon**, Woodstock, IL (US); **Mark R. Pavel**, Lisle, IL (US)

(73) Assignee: **Weber-Stephen Products LLC**, Palatine, IL (US)

(\*) Notice: This patent is subject to a terminal disclaimer.

(\*\*) Term: **15 Years**

(21) Appl. No.: **29/547,697**

(22) Filed: **Dec. 7, 2015**

(51) **LOC (11) Cl.** ..... **07-02**

(52) **U.S. Cl.**  
USPC ..... **D7/403**

(58) **Field of Classification Search**  
USPC ..... D7/323-337, 402-407, 362, 416, 417, D7/357, 408; 126/25 R, 9 R; D23/343, D23/415, 350, 348, 403, 409, 416, 418, D23/419; D22/112; D26/8  
CPC ..... A47J 33/00; A47J 37/04; A47J 37/041; A47J 37/07-37/0713; A47J 37/0731; A47J 37/074; A47J 37/0781; A47J 2037/0777; A47J 37/0786; A47J 37/079; A47J 36/26; A47J 36/36; F24B 1/02; F24B 1/022; F24B 1/18; F24B 1/182; F24B 1/202; F24B 1/181; F24C 3/14; F24C 1/16; F24C 15/10; F23D 14/00-14/10; F23D 91/00; B05B 17/08

See application file for complete search history.

U.S. PATENT DOCUMENTS

D170,943 S *	11/1953	Reinecke	.....	126/25 R
D223,042 S *	2/1972	Wilkinson	.....	D7/334
4,688,541 A *	8/1987	Stephen	.....	A47J 37/0786
				108/152
D388,658 S *	1/1998	Dutczak	.....	D7/403
5,906,193 A *	5/1999	Leach	.....	A47J 37/0786
				126/25 R
D424,363 S *	5/2000	Smith	.....	D7/334
D435,387 S *	12/2000	Pai	.....	D7/334
D460,657 S *	7/2002	Bossler	.....	D7/334
D462,563 S *	9/2002	Bossler	.....	D7/334

(Continued)

*Primary Examiner* — Susan Bennett Hattan

*Assistant Examiner* — Brett Miller

(74) *Attorney, Agent, or Firm* — Vitale, Vickrey, Niro & Gasey LLP

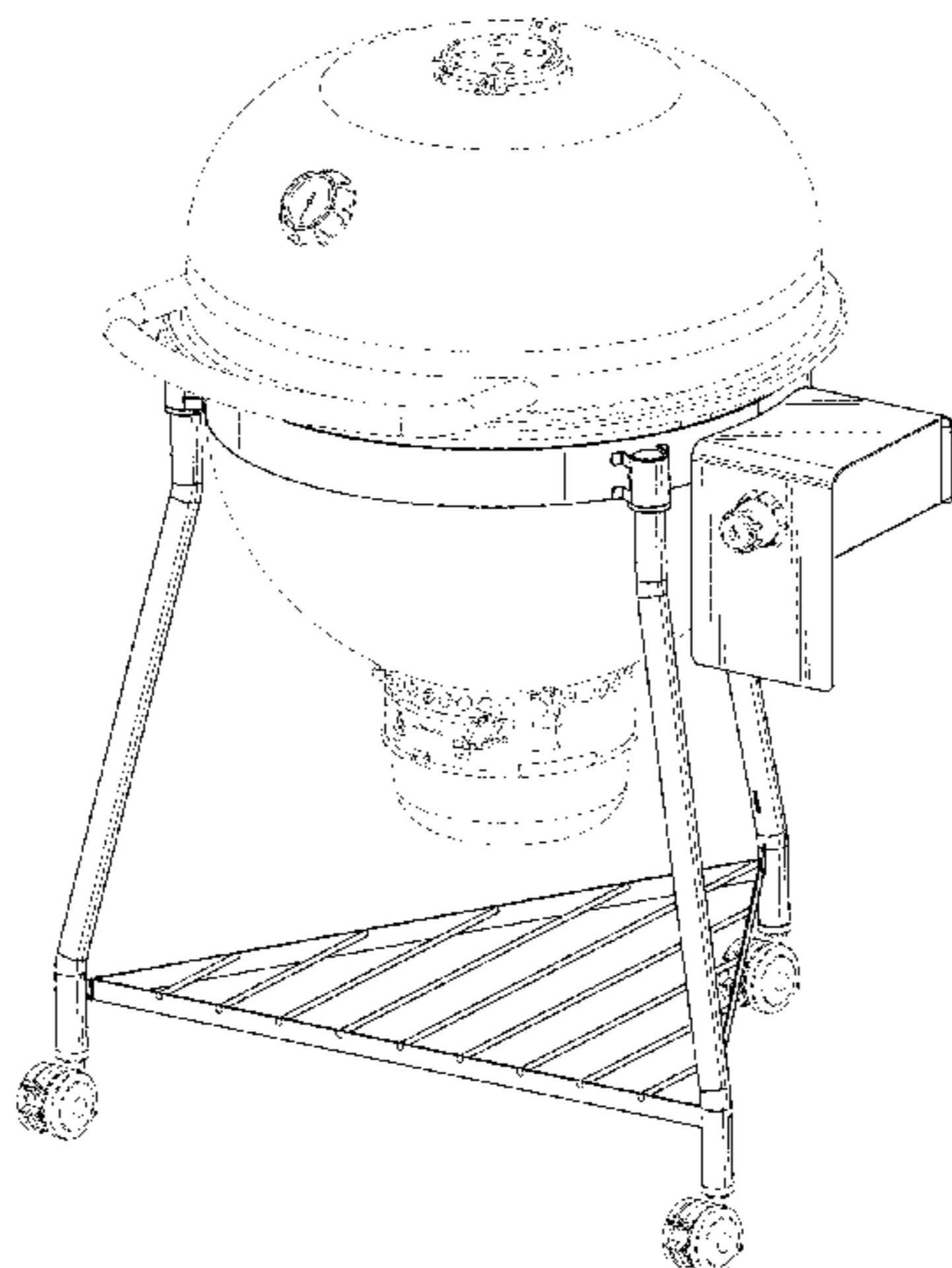
(57) **CLAIM**

The ornamental design for a grill stand, as shown and described in the following Figures.

**DESCRIPTION**

FIG. 1 is a perspective view of the grill stand of the present invention;  
FIG. 2 is a right side view of the grill stand of the present invention;  
FIG. 3 is a front view of the grill stand of the present invention;  
FIG. 4 is a top view of the grill stand of the present invention;  
FIG. 5 is a rear view of the grill stand of the present invention;  
FIG. 6 is a left side view of the grill stand of the present invention; and,  
FIG. 7 is a bottom view of the grill stand of the present invention.

(Continued)



The broken lines depict environmental subject matter that forms no part of the claimed design.

**1 Claim, 7 Drawing Sheets**

(56)

**References Cited**

U.S. PATENT DOCUMENTS

D463,708 S *	10/2002	Bossler .....	D7/334
D471,056 S *	3/2003	Pai .....	D7/334
D619,416 S *	7/2010	Bailey .....	D7/402
2011/0214662 A1 *	9/2011	Contarino, Jr. ....	A47J 37/07 126/25 R

\* cited by examiner

Fig. 1

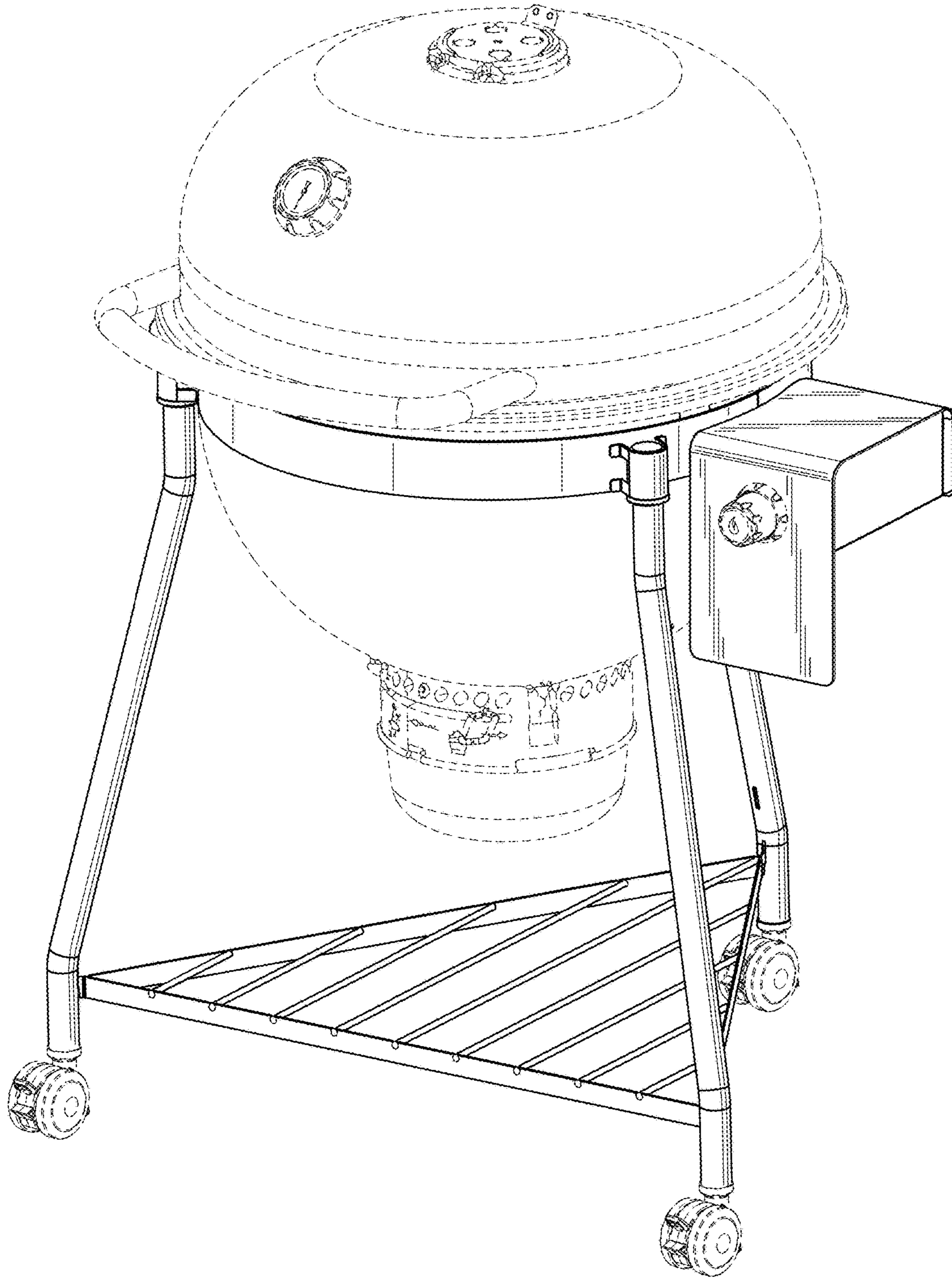


Fig. 2

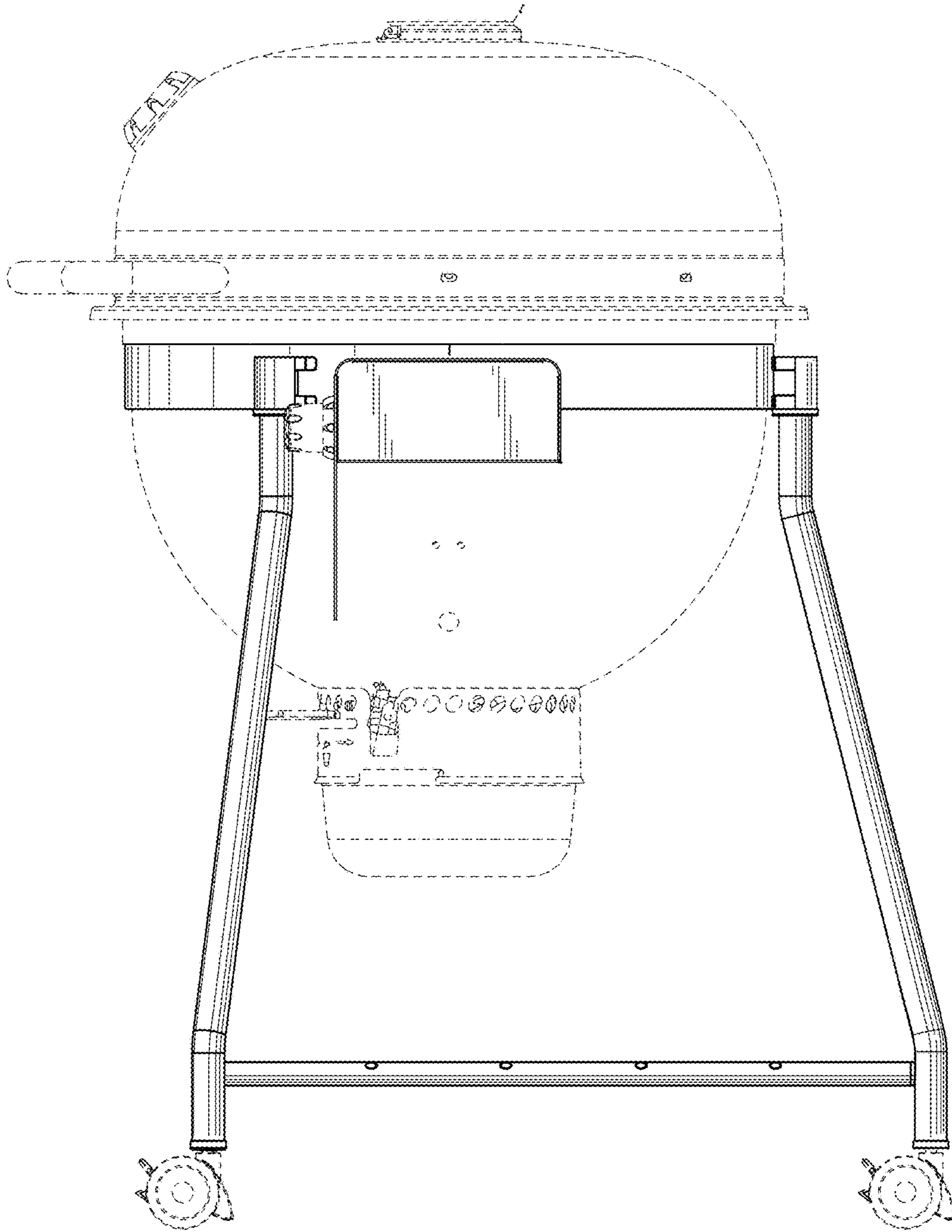


Fig. 3

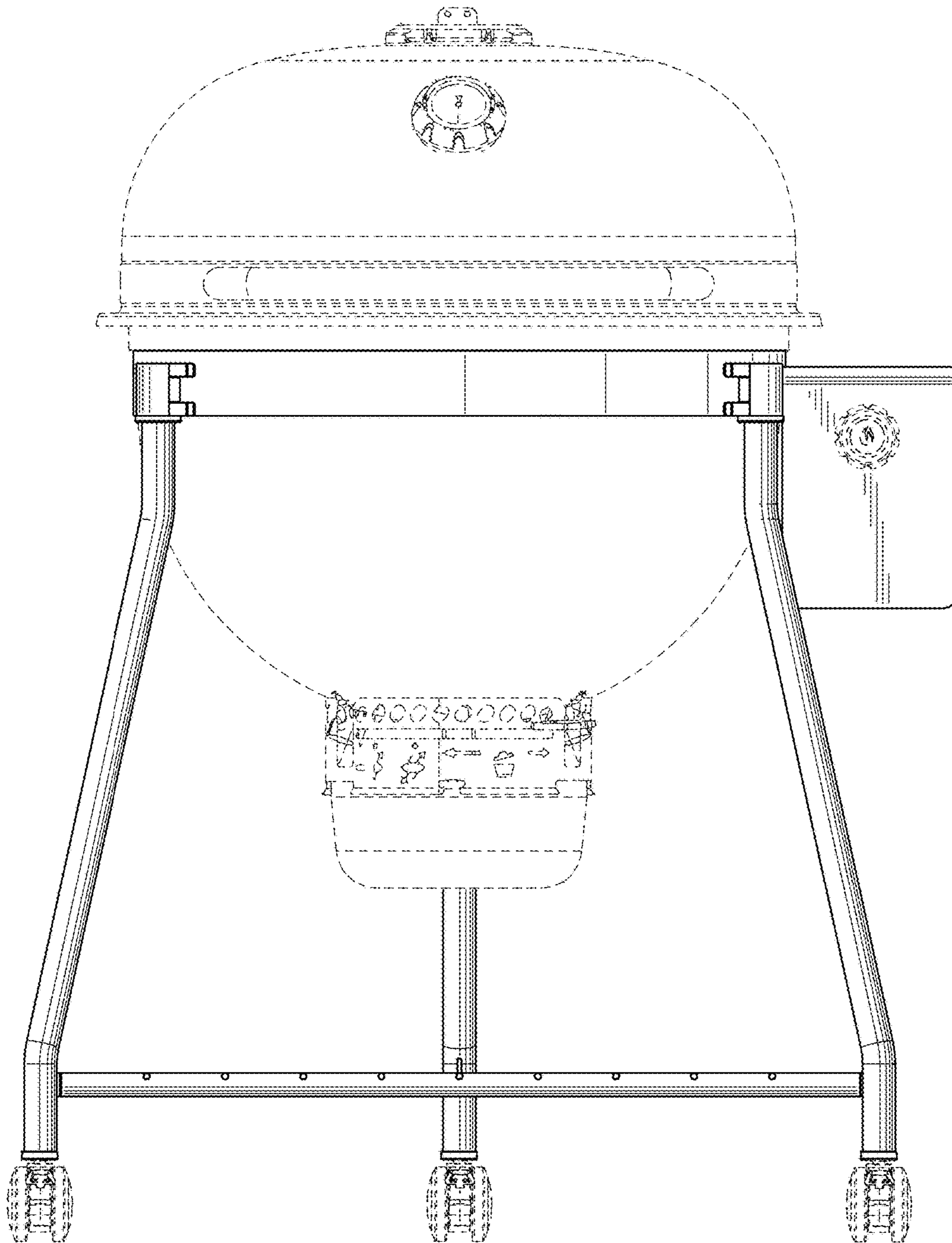


Fig. 4

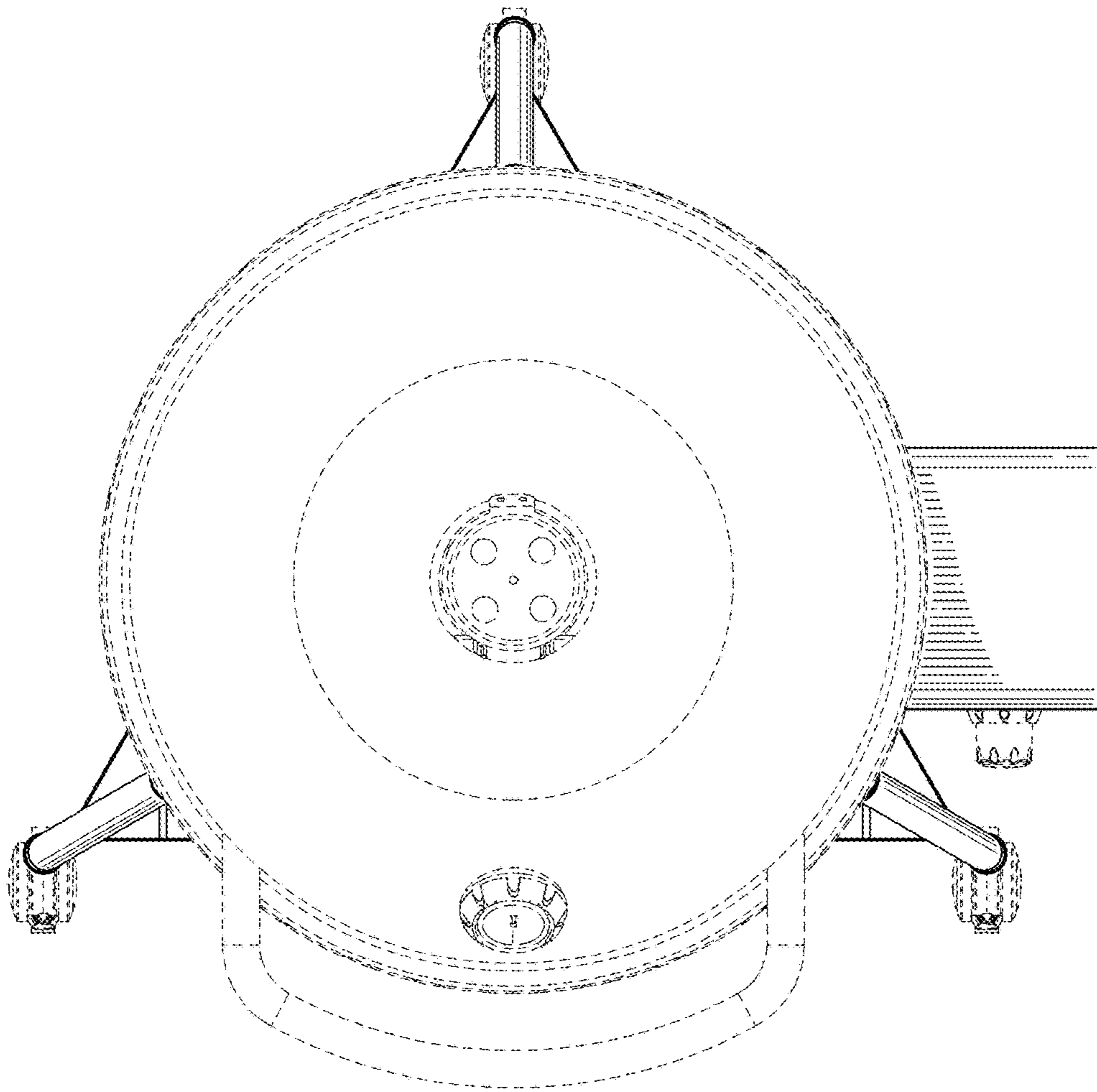


Fig. 5

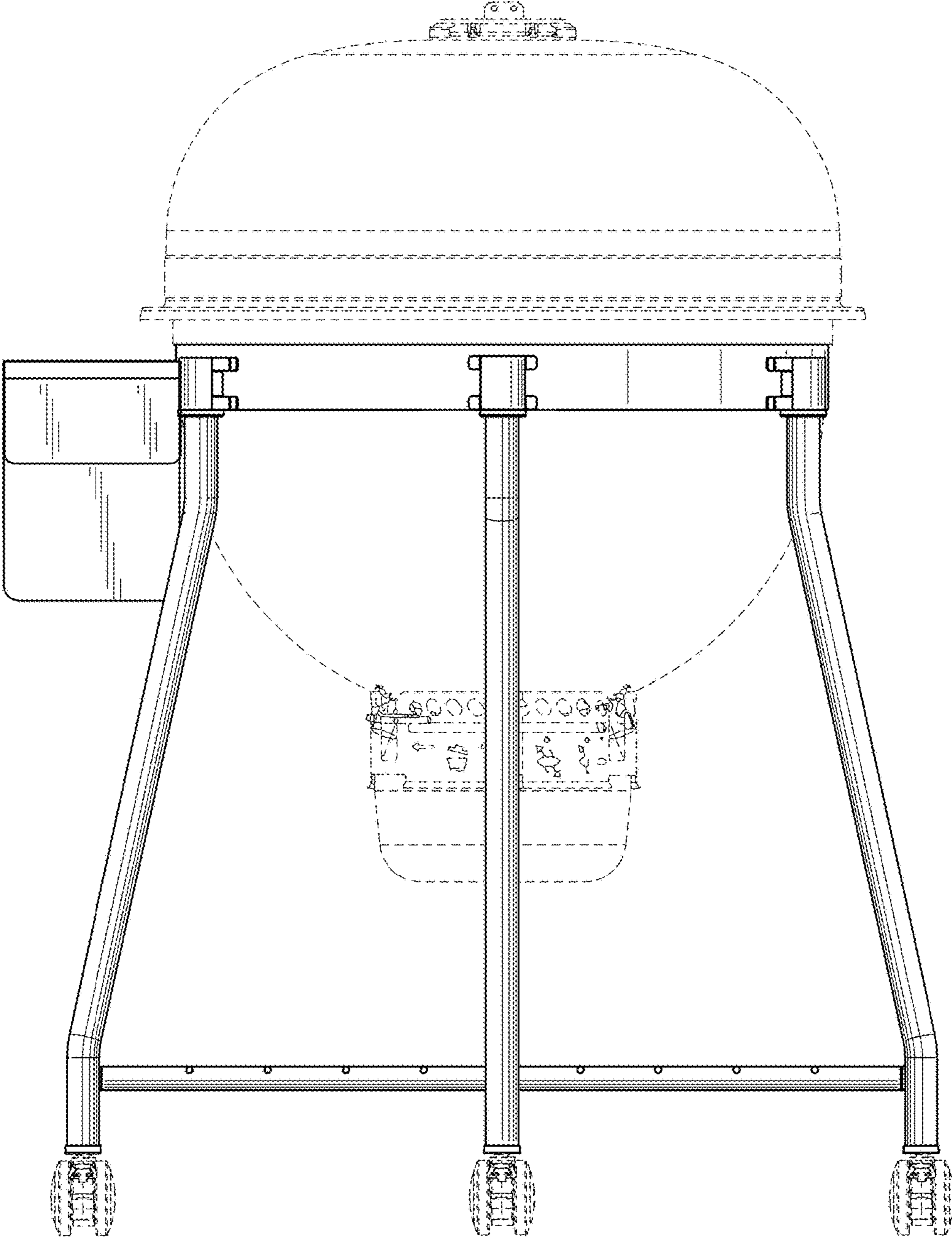


Fig. 6

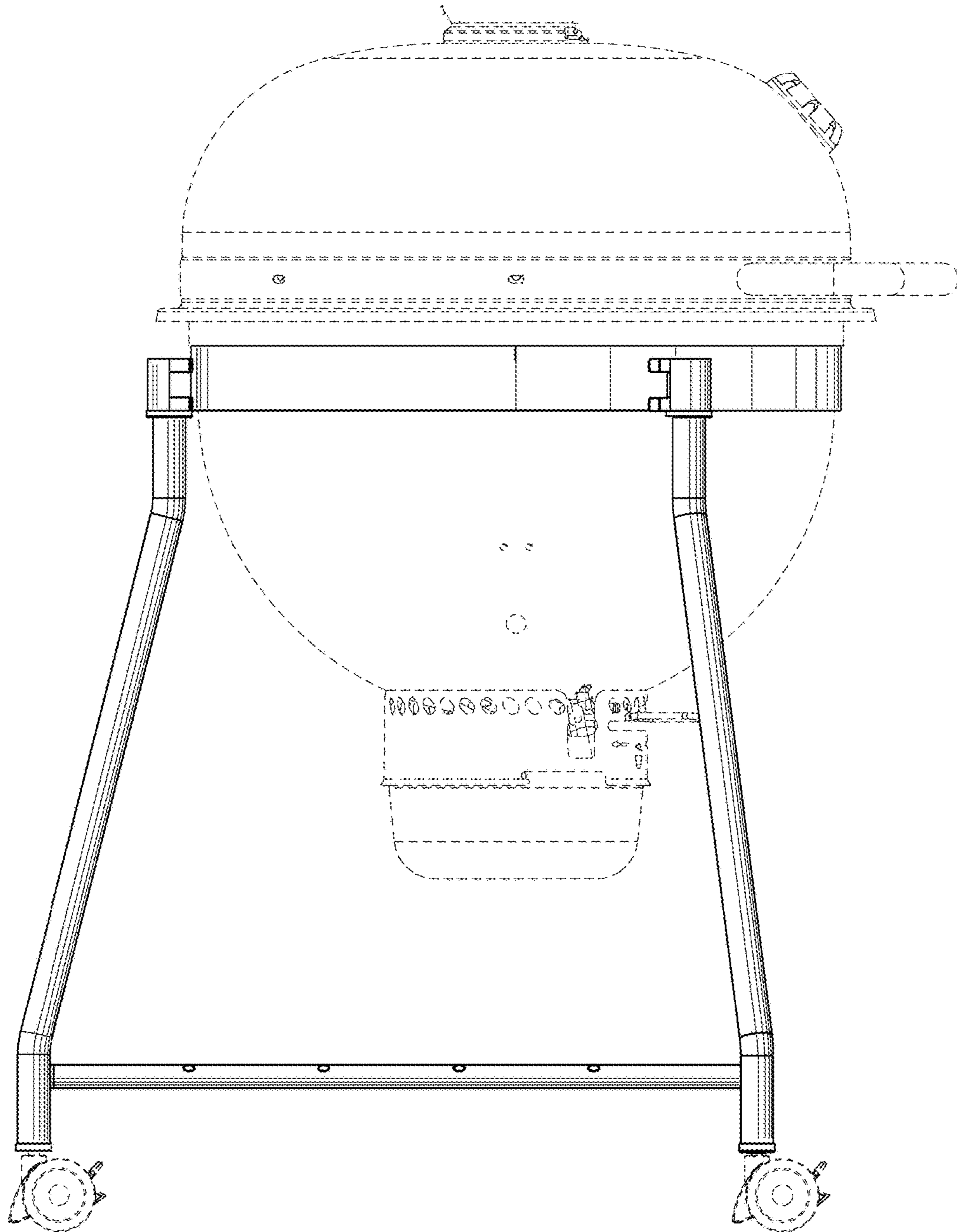




Fig. 7

