



US00D815898S

(12) **United States Design Patent**
Castriota

(10) **Patent No.:** **US D815,898 S**
(45) **Date of Patent:** **** Apr. 24, 2018**

(54) **COVER**

(71) Applicant: **Cuchina Safe, LLC**, Pittsburgh, PA
(US)

(72) Inventor: **Susan Castriota**, Pittsburgh, PA (US)

(**) Term: **15 Years**

(21) Appl. No.: **29/564,761**

(22) Filed: **May 16, 2016**

(51) **LOC (11) Cl.** **07-99**

(52) **U.S. Cl.**
USPC **D7/402**

(58) **Field of Classification Search**
USPC D7/402, 403, 323, 339, 347, 354, 361,
D7/362, 368, 667, 668, 669, 674, 677,
D7/688, 690, 692, 695, 369, 387, 388,
D7/396.6, 407, 213, 409, 416, 332
CPC A21B 1/48
See application file for complete search history.

(56) **References Cited**

U.S. PATENT DOCUMENTS

797,314 A	8/1905	Owens	
1,669,127 A *	5/1928	Houston	A21B 3/13 220/4.03
1,973,449 A	9/1934	Tighe, Jr.	
D126,356 S *	4/1941	Brown	D7/354
3,770,115 A *	11/1973	Cannell	B65D 1/34 206/508
3,955,710 A *	5/1976	Commisso	B65D 43/0212 220/367.1
D250,930 S *	1/1979	Franklin	D7/565
D251,827 S *	5/1979	Commisso	D7/392.1
D254,355 S *	3/1980	Ottier	D7/360
D257,607 S *	12/1980	Smith	D7/542
4,375,862 A *	3/1983	Kurinsky	B65D 43/0212 220/293
D270,322 S *	8/1983	Daenen	D7/610
D275,636 S *	9/1984	Picozza	D7/392.1

4,478,349 A	10/1984	Haverland, Jr. et al.	
4,512,497 A	4/1985	Grusin	
4,874,083 A *	10/1989	Antoni	B65D 1/36 206/557
D367,398 S *	2/1996	Thomas	D7/354
5,970,858 A	10/1999	Boehm et al.	
D425,760 S	5/2000	Henry	
D441,290 S *	5/2001	West	D7/392.1

(Continued)

OTHER PUBLICATIONS

Cuchina Safe Lid Microwave Safe Lid, [online], [site visited Nov. 20, 2017]. Available from Internet, URL: <http://cuchinasafe.com/>.
(Continued)

Primary Examiner — Caron D Veynar
Assistant Examiner — Katrina N Gonzalez
(74) *Attorney, Agent, or Firm* — Ballard Spahr LLP

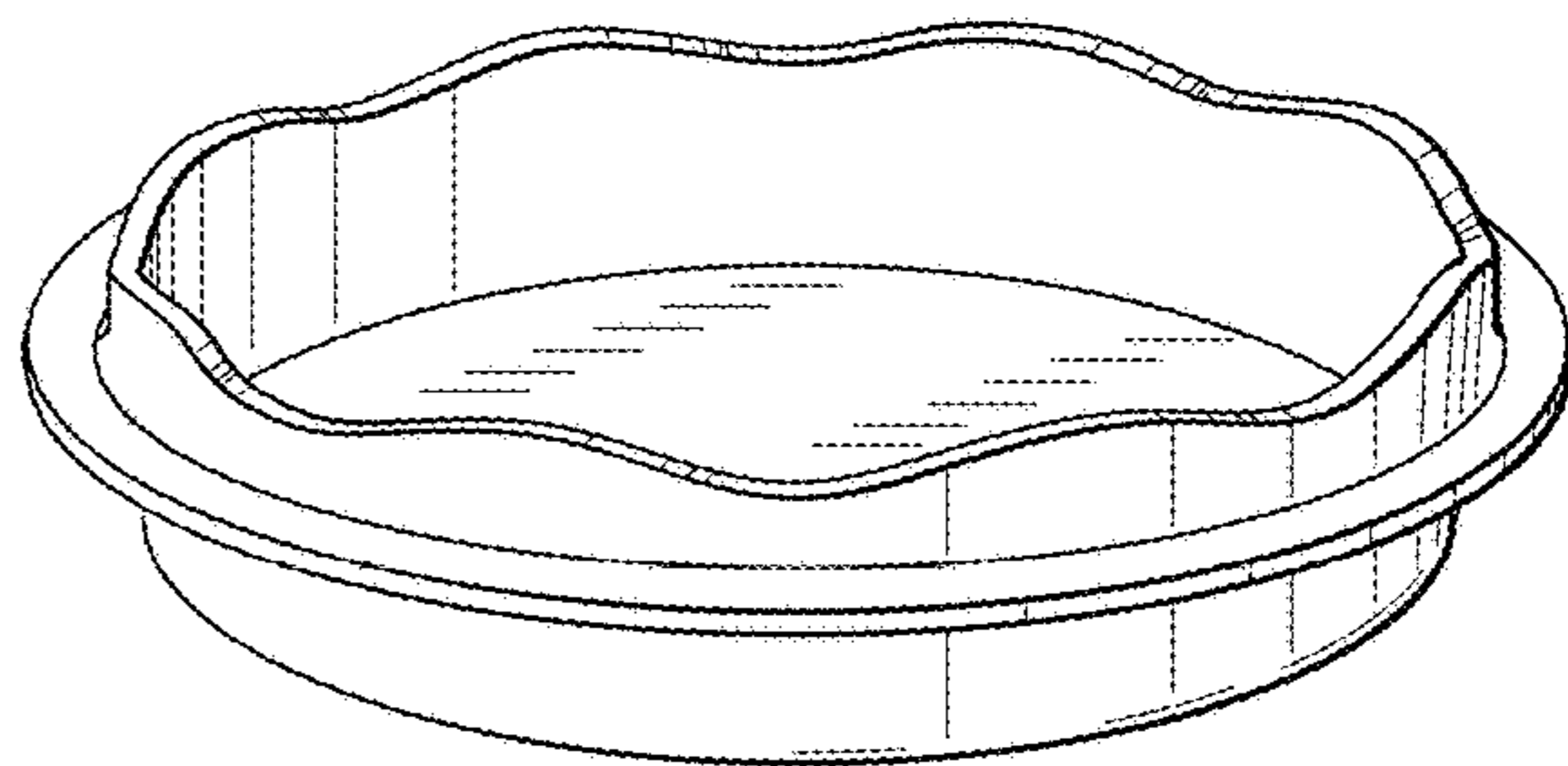
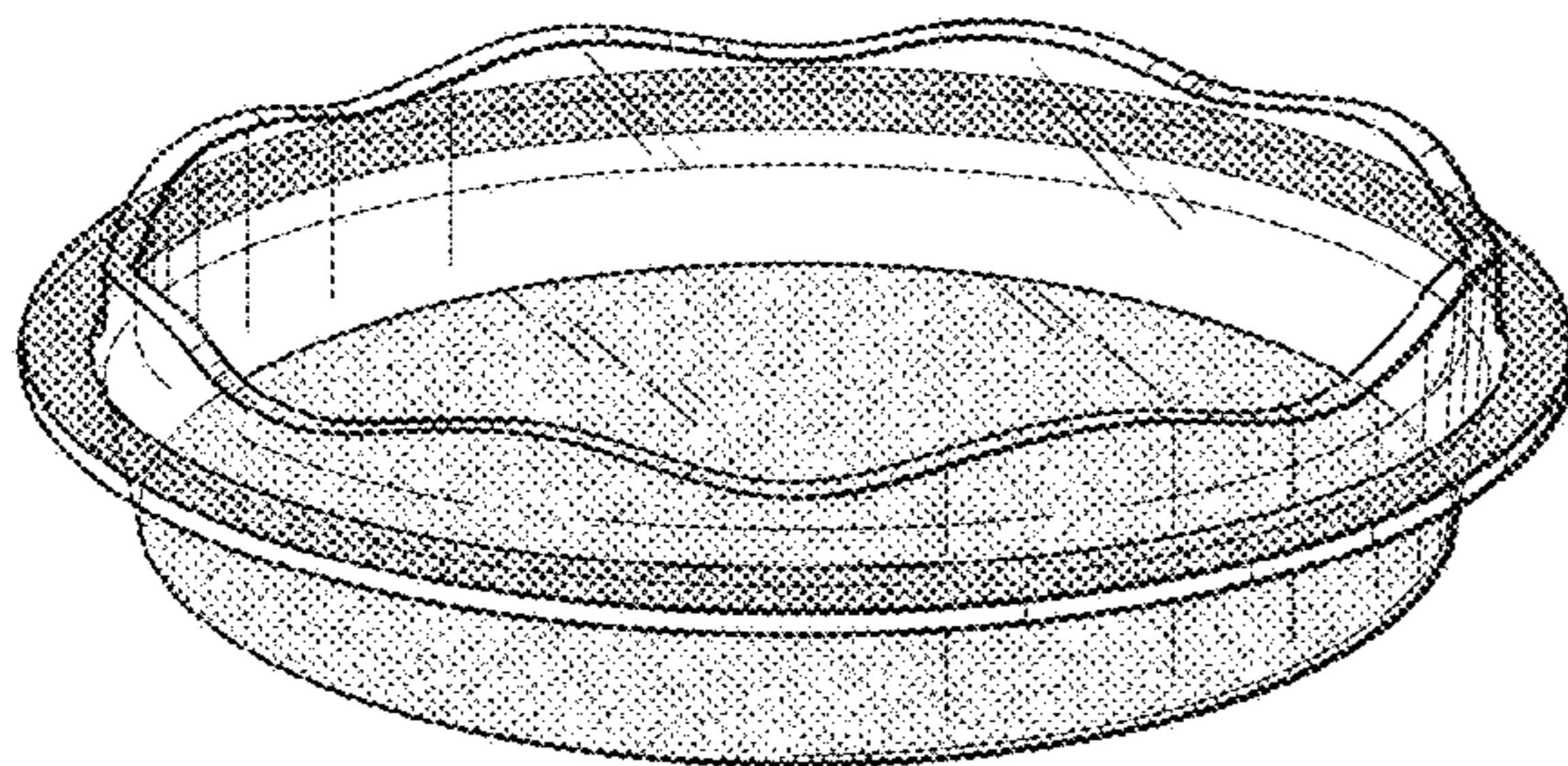
(57) **CLAIM**

I claim the ornamental design for a cover, as shown and described.

DESCRIPTION

FIG. 1 is an isometric view of a cover according to the invention;
FIG. 2 is a top view of the cover shown in FIG. 1;
FIG. 3 is a left side view of the cover shown in FIG. 1, the right side view being identical;
FIG. 4 is a bottom view of the cover shown in FIG. 1;
FIG. 5 is an isometric view of an embodiment of a cover according to the invention;
FIG. 6 is a top view of the cover shown in FIG. 5;
FIG. 7 is a left side view cover shown in FIG. 5, the right side view being identical; and,
FIG. 8 is a bottom view of the cover shown in FIG. 5.
The dotted lines in the figures form no part of the claimed design.

1 Claim, 4 Drawing Sheets



(56)

References Cited

U.S. PATENT DOCUMENTS

D457,777	S	*	5/2002	Bradley	D7/354
D475,621	S	*	6/2003	Buchalski	D9/428
D504,282	S	*	4/2005	McMullin	D7/543
D537,300	S		2/2007	Kim		
D587,521	S	*	3/2009	Thurlow	D7/391
D587,568	S	*	3/2009	Shields	D9/425
D588,866	S	*	3/2009	Ho	D7/391
D648,976	S	*	11/2011	Thurlow	D7/354
D652,675	S	*	1/2012	Miller	D7/402
D653,906	S	*	2/2012	Bull	D7/391
D665,663	S		8/2012	Krupa		
D743,253	S	*	11/2015	Kui	D9/429
D761,611	S	*	7/2016	Stambolis	D7/354
D791,528	S	*	7/2017	Henry	D7/354
2015/0013270	A1		1/2015	Chisholm		

OTHER PUBLICATIONS

CNC-insert-2016, [online], [site visited Nov. 20, 2017]. Available from Internet, URL: <http://cuchinasafe.com/pdf/CNC-insert-2016.pdf>.*

Pyrex Grip Rite 9, [online], [site visited Nov. 20, 2017]. Available from Internet, URL: <https://www.target.com/p/pyrex-grip-rite-9-5-glass-pie-pan-clear/-/A-14580725>.*

(Author Unknown); Obtained online at <http://www.terapeak.com/worth/heller-bakeware-l-m-vignelli-casserole-15-round-6-oven-microwave-u-s-a/111642940965/>; Heller Bakeware L & M Vignelli Casserole # 15.

(Author Unknown); Obtained online at <http://www.amazon.com/Arcuisine-Borosilicate-Glass-Pie-Dish-w/handles>.

(Author Unknown); Obtained online at <http://www.terapeak.com/worth/vintage-pyrex-cranberry-1-5-liter-023-round-casserole-dish-for-oven-microwave/321795022899/>; Vintage Pyrex Cranberry 1.5 Liter #023 Round Casserole Dish, For Oven, Microwave.

(Author Unknown); Obtained online at <http://www.terapeak.com/worth/corning-visions-cranberry-24-oz-round-microwave-oven-casserole-dish-5824878/361484423085/>; Corning Visions Cranberry 24 Oz Round Microwave Oven Casserole Dish 5824878.

(Author Unknown); Obtained online at <http://www.terapeak.com/worth/vintage-glasbake-by-jeannette-oven-bakeware-by-l-m-vignelli-glass-9-oz-bowl/281662883883/>; Vintage Glasbake by Jeannette Oven Bakeware by L & M Vignelli Glass 9 Oz Bowl.

* cited by examiner

FIG. 1

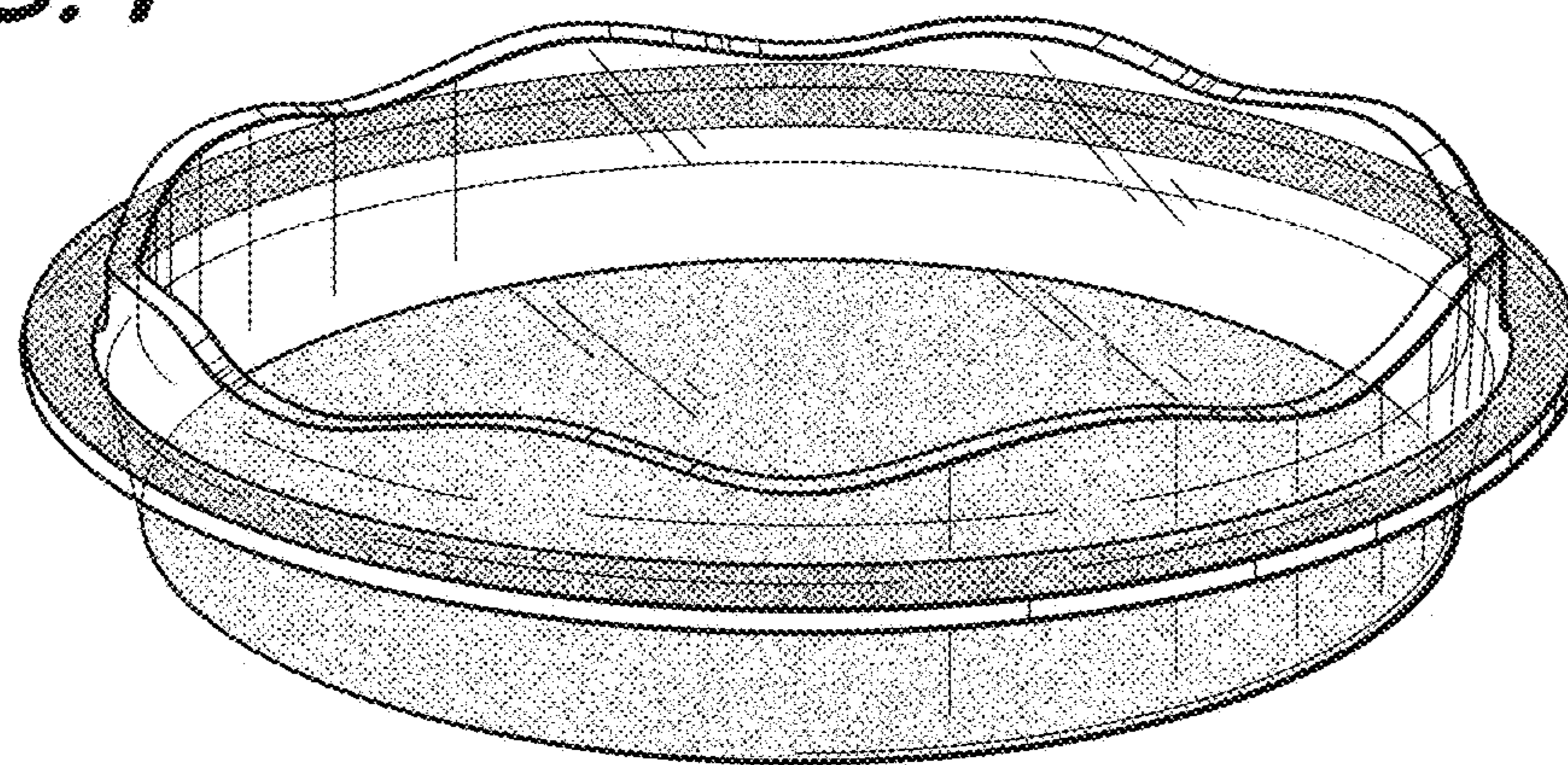


FIG. 2

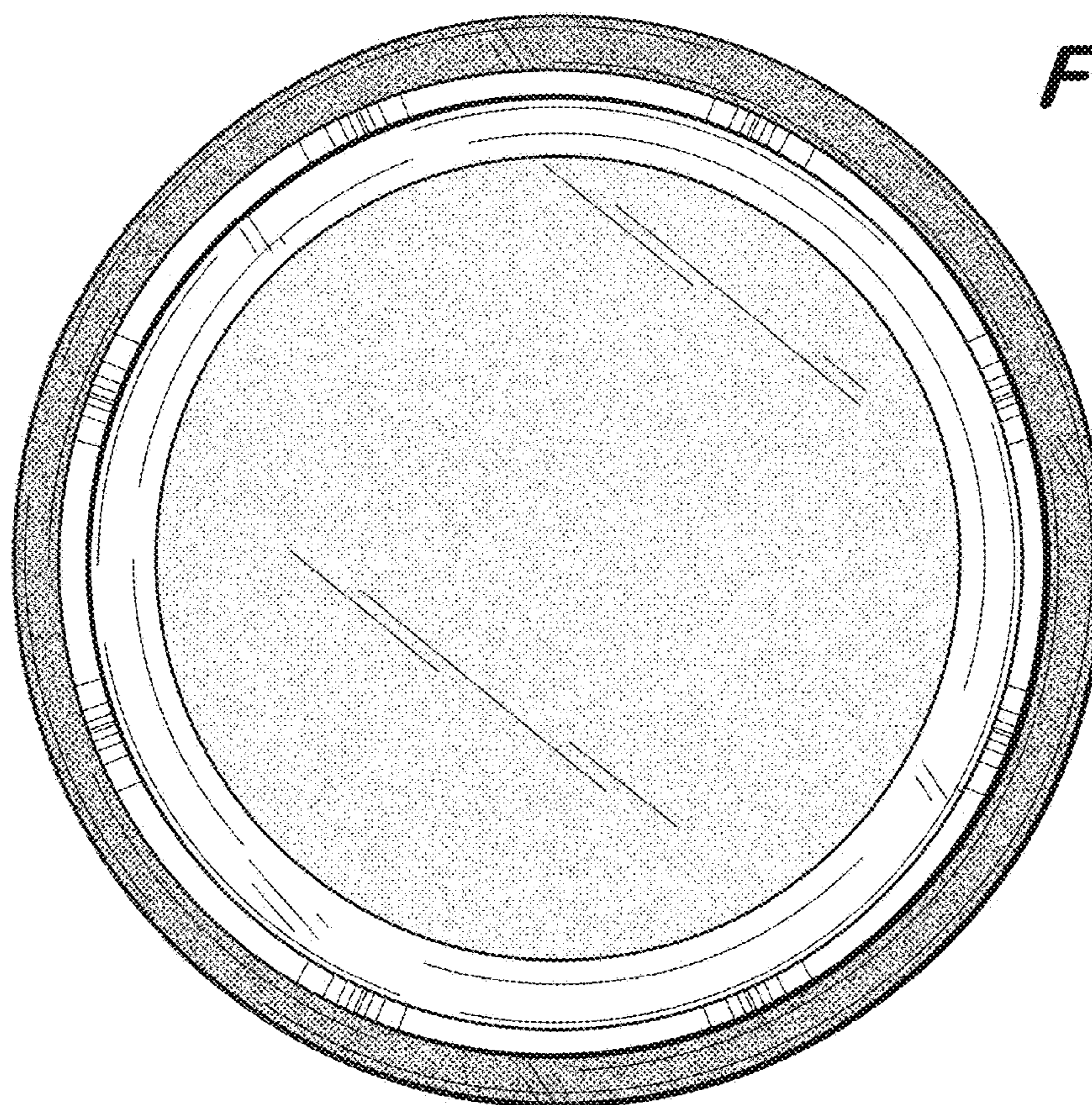


FIG. 3

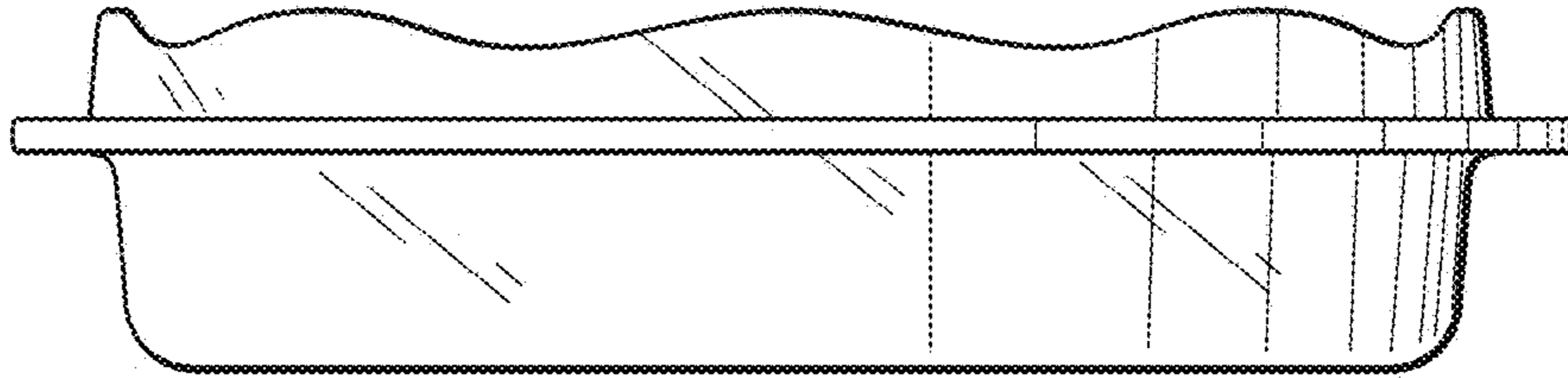


FIG. 4

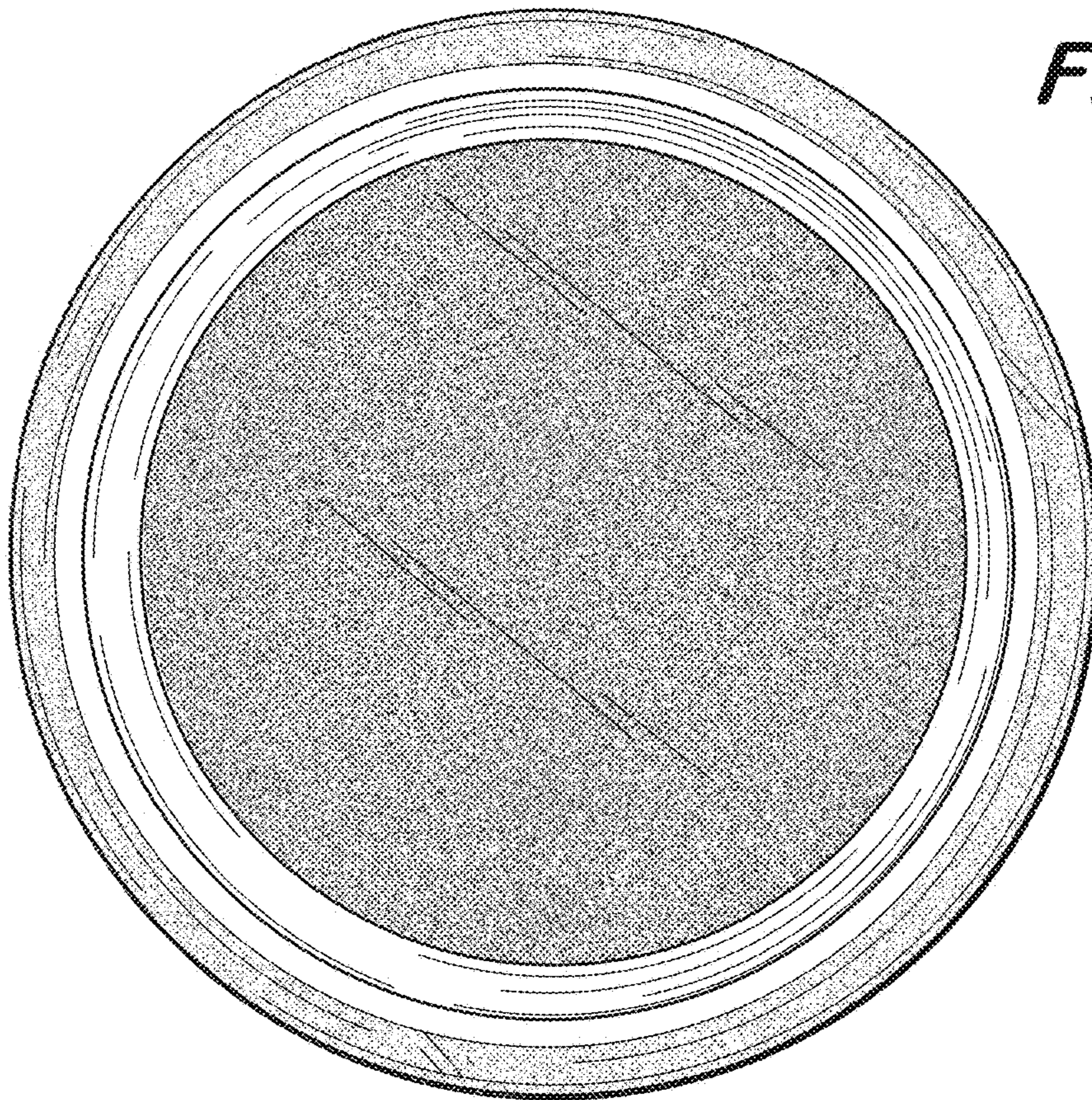


FIG. 5

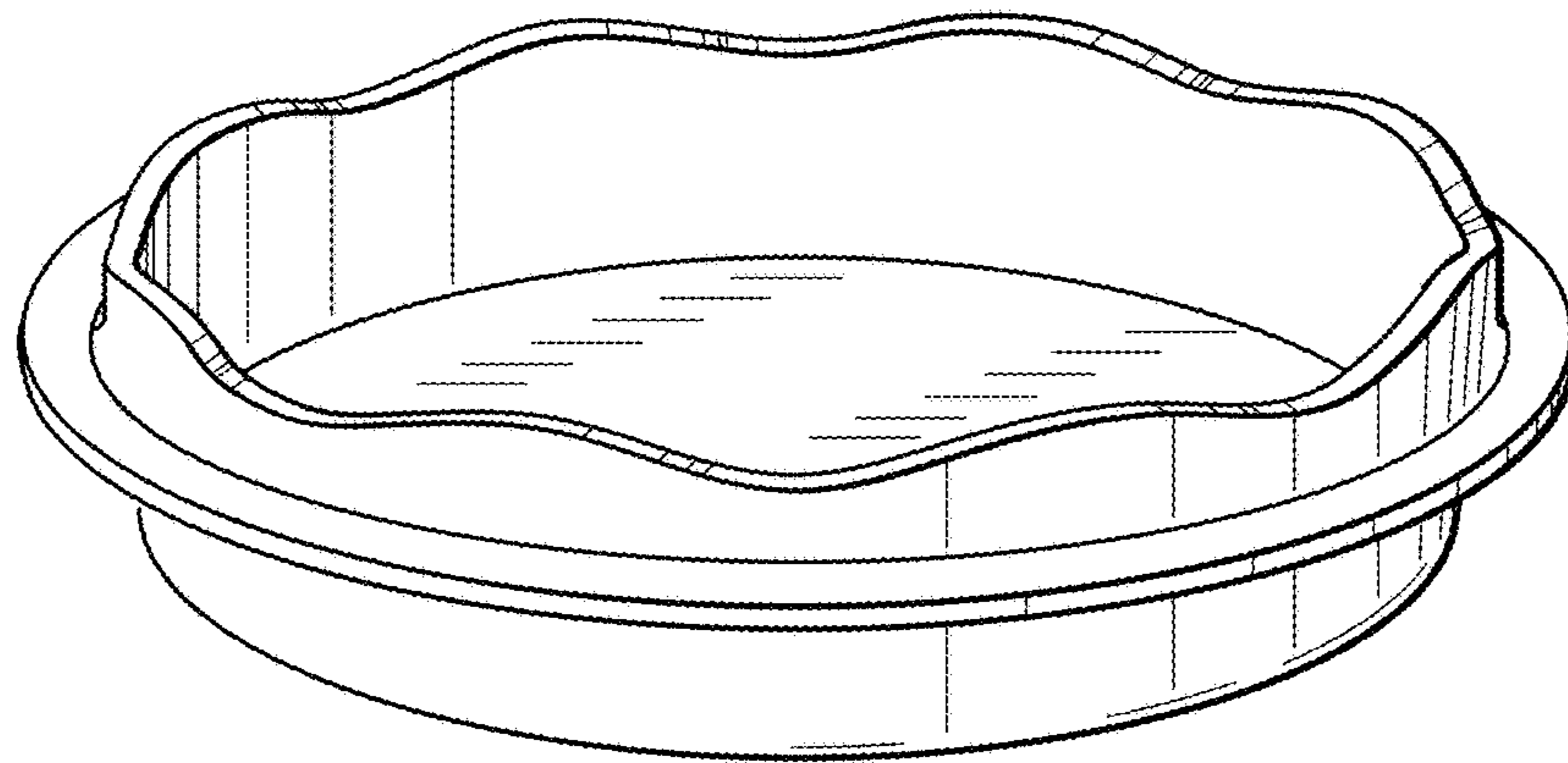


FIG. 6

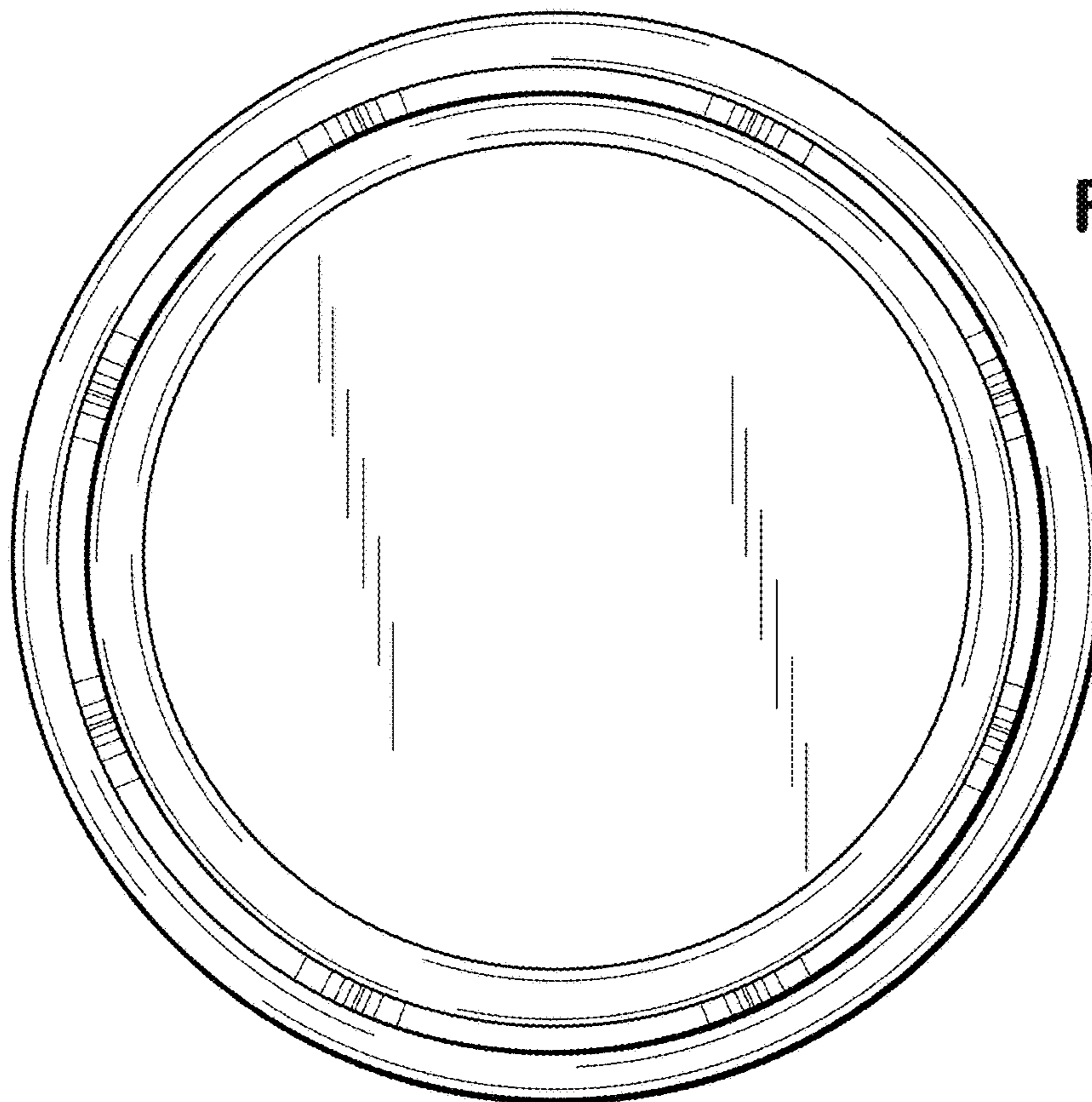


FIG. 7

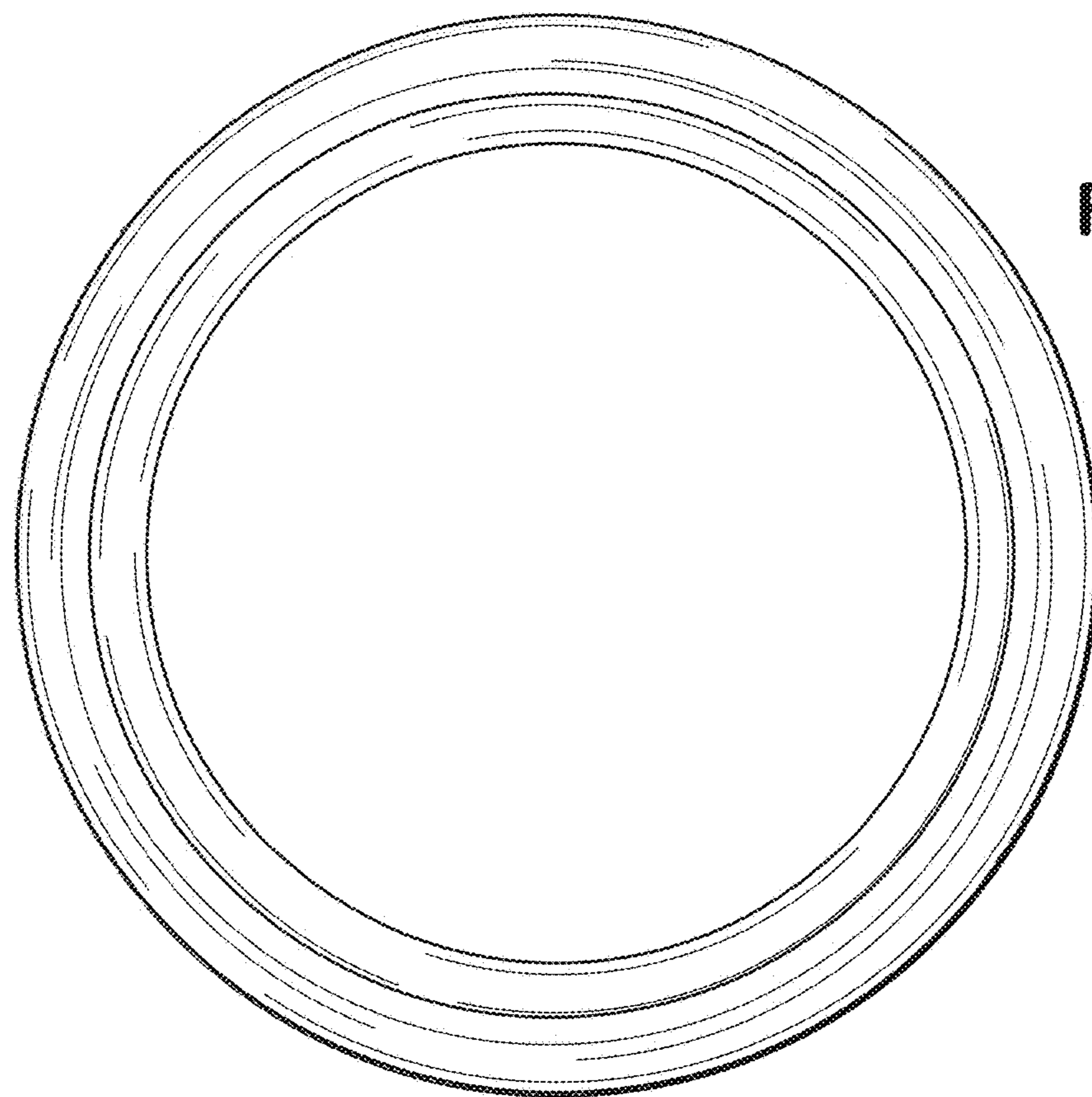
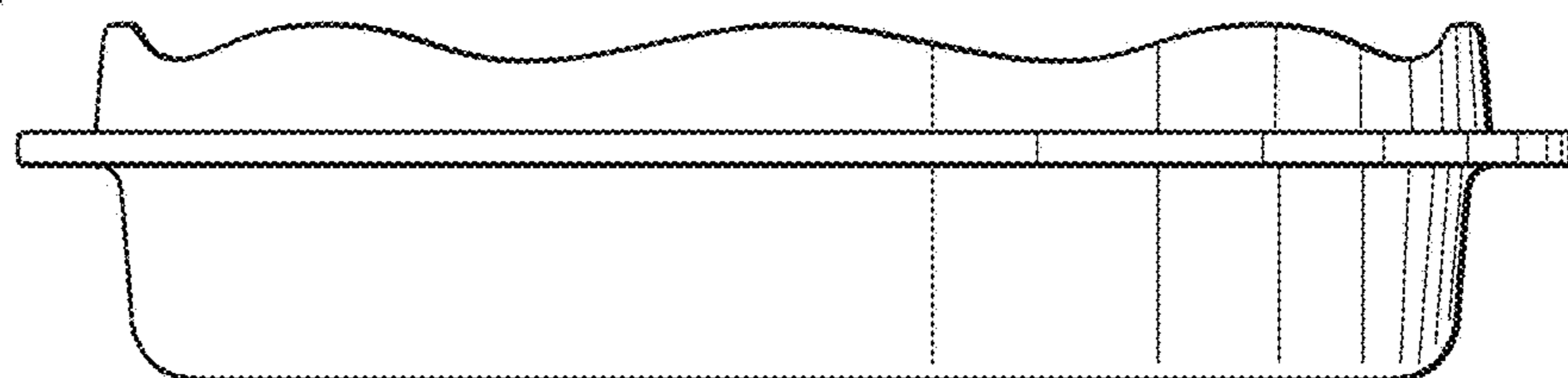


FIG. 8