



US00D815895S

(12) **United States Design Patent**
Roth et al.

(10) **Patent No.:** **US D815,895 S**
(45) **Date of Patent:** **** Apr. 24, 2018**

(54) **FRUIT INFUSER**

A47G 23/04; A47G 19/2211; A47G
19/16; A47G 19/14; B01D 41/04

See application file for complete search history.

(71) Applicant: **Cool Gear International, LLC**,
Plymouth, MA (US)

(72) Inventors: **Donna Roth**, Duxbury, MA (US); **John
D. Mason**, Bridgewater, MA (US)

(73) Assignee: **Cool Gear International, LLC**,
Plymouth, MA (US)

(**) Term: **15 Years**

(21) Appl. No.: **29/551,278**

(22) Filed: **Jan. 12, 2016**

Related U.S. Application Data

(62) Division of application No. 29/490,793, filed on May
13, 2014, now Pat. No. Des. 747,140.

(51) **LOC (11) Cl.** **07-99**

(52) **U.S. Cl.**
USPC **D7/400; D7/399; 23/209**

(58) **Field of Classification Search**
USPC D7/397, 398, 399, 400, 401, 213, 396.1,
D7/396.2, 396.3, 396.4, 387, 392, 700,
D7/665, 666, 401.1, 368, 669, 682, 372,
D7/380; D9/440, 439, 435, 436, 499;
261/75, 76, 97, 110, 30; 222/190, 450,
222/189.06, 476, 479; 426/474;
141/344; 99/302 R, 323, 316, 317;
D10/80, 46; D23/209, 210, 213;
210/359, 188, 264, 282; D21/698;
62/457.3; 220/506; 362/544
CPC B01F 2215/0072; B01F 5/0428; B01F
2215/007; C12G 1/00; A47J 31/057;

(56) **References Cited**

U.S. PATENT DOCUMENTS

852,472	A *	5/1907	Tracey	A47J 36/08 210/469
2,505,305	A *	4/1950	Schaefer	E03C 1/264 4/289
H1157	H *	4/1993	Yanou	D23/209
D374,147	S *	10/1996	Lillelund	D7/300.1
D396,603	S *	8/1998	Gasser	D7/400
6,283,013	B1 *	9/2001	Romandy	A47J 31/0636 99/319
D474,526	S *	5/2003	Mayer	D23/210
D563,161	S *	3/2008	Bodum	D7/399
D565,350	S *	4/2008	Gauger	D7/399
D567,020	S *	4/2008	Bodum	D7/387
D569,176	S *	5/2008	Bodum	D7/387

(Continued)

Primary Examiner — Marianne Pandozzi

Assistant Examiner — Jae Liang

(74) *Attorney, Agent, or Firm* — Mintz Levin Cohn Ferris
Glovsky and Popeo, P.C.; Steven M. Jensen

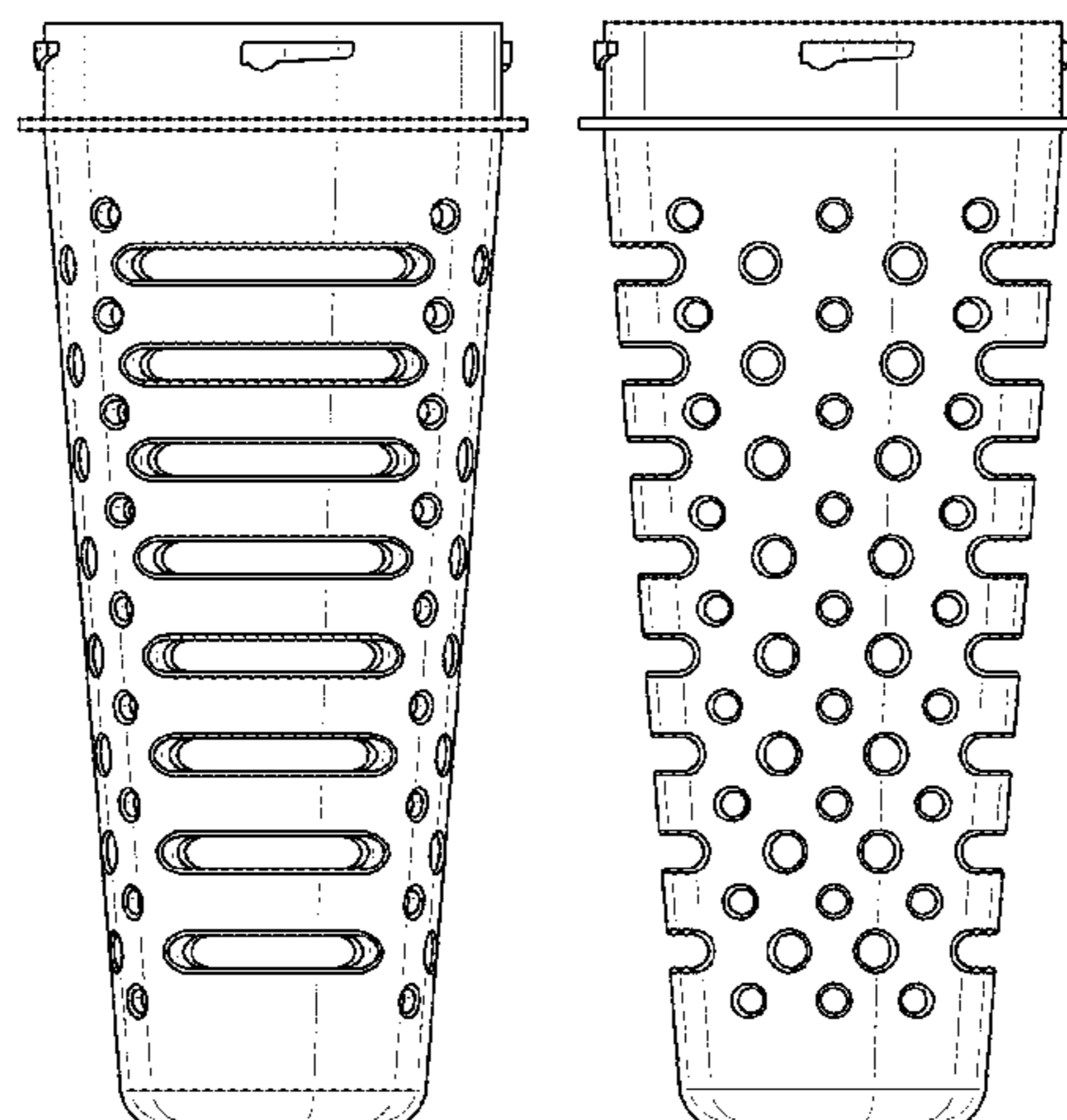
(57) **CLAIM**

The ornamental design for a fruit infuser, as shown and
described.

DESCRIPTION

FIG. 1 is a top front perspective view of a fruit infuser
showing our new design;
FIG. 2 is a front view thereof;
FIG. 3 is a rear view thereof;
FIG. 4 is a right side view thereof;
FIG. 5 is a left side view thereof;
FIG. 6 is a top view thereof;
FIG. 7 is a bottom view thereof; and,
FIG. 8 is a top front perspective view thereof in use with a
cap.

(Continued)



The broken lines in the drawings depict environmental subject matter only and form no part of the claimed design.

1 Claim, 7 Drawing Sheets

(56)

References Cited

U.S. PATENT DOCUMENTS

D575,105 S *	8/2008	Gauss	D7/397
D577,253 S *	9/2008	Bodum	D7/399
D642,657 S *	8/2011	Cumberland	D23/209
D663,580 S *	7/2012	Vagnby	D7/400
D686,296 S *	7/2013	Melzer	D23/209
D691,414 S *	10/2013	Trombly	D7/392.1
D691,418 S *	10/2013	Minton	D7/399
D697,366 S *	1/2014	Kristinik	D7/392.1
D729,005 S *	5/2015	Lee	D7/399
D747,140 S *	1/2016	Roth	D23/209
D747,924 S *	1/2016	Roth	D23/207
D764,864 S *	8/2016	Hertaus	D7/400
D777,514 S *	1/2017	McMullin	D7/400
D781,646 S *	3/2017	Roth	D7/387
2016/0075477 A1 *	3/2016	Halioua	A47J 31/446 222/566

* cited by examiner

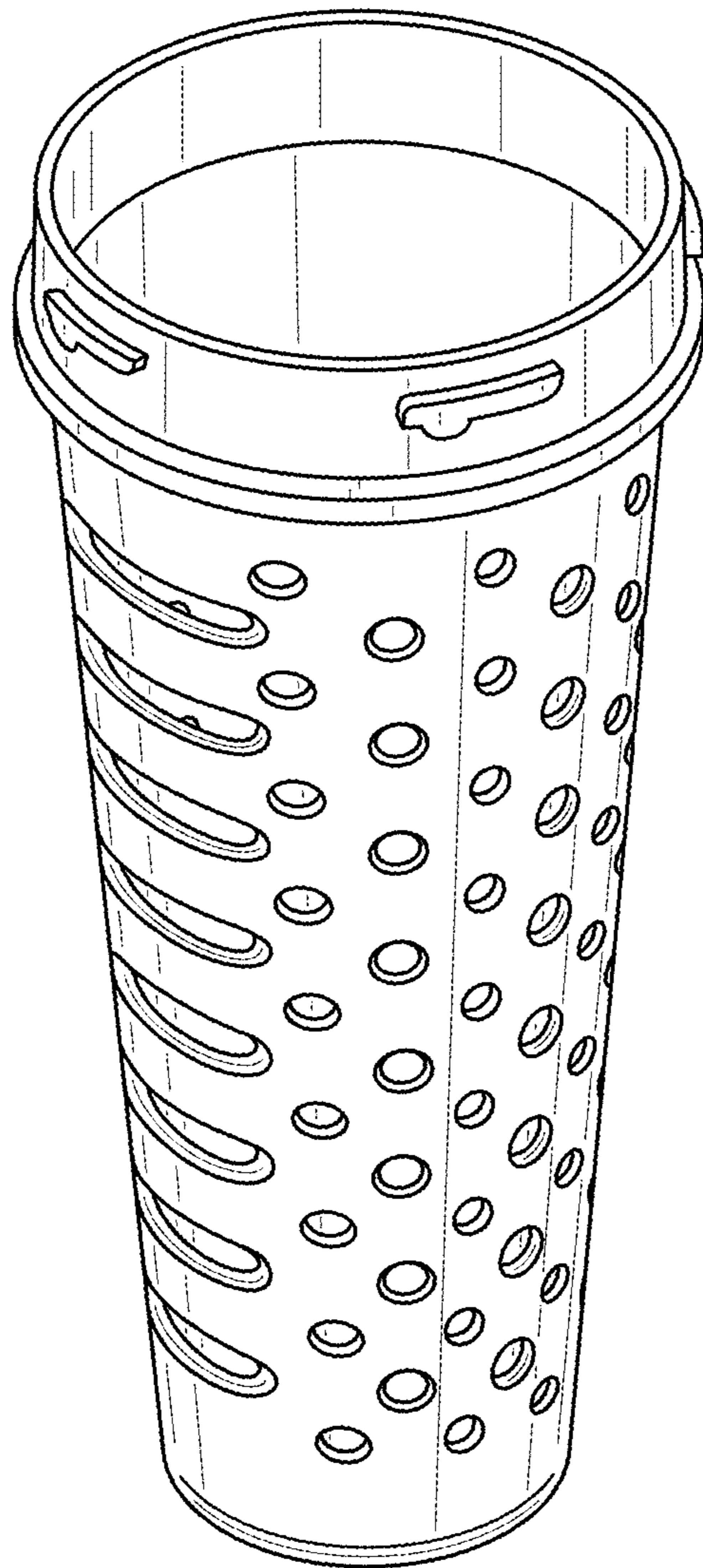


FIG. 1

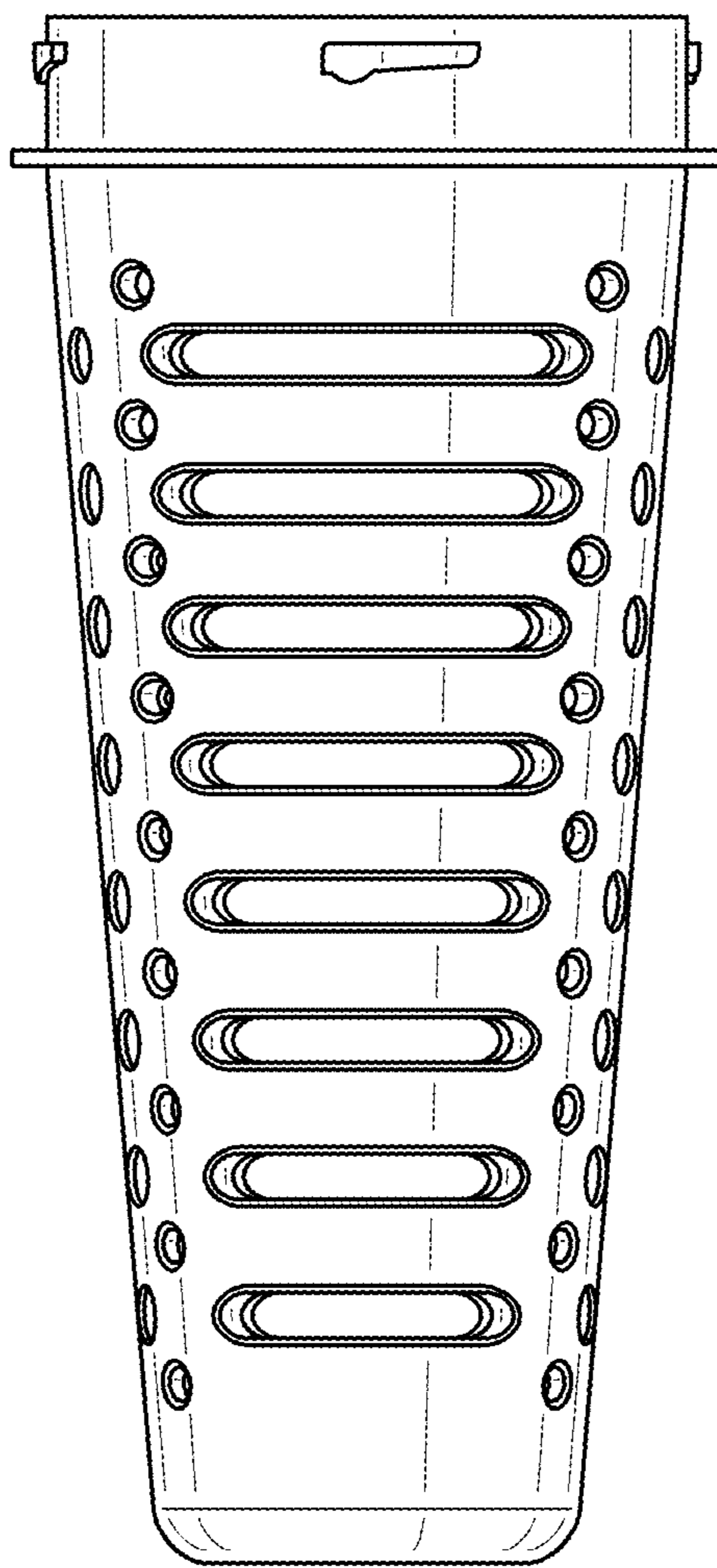


FIG. 2

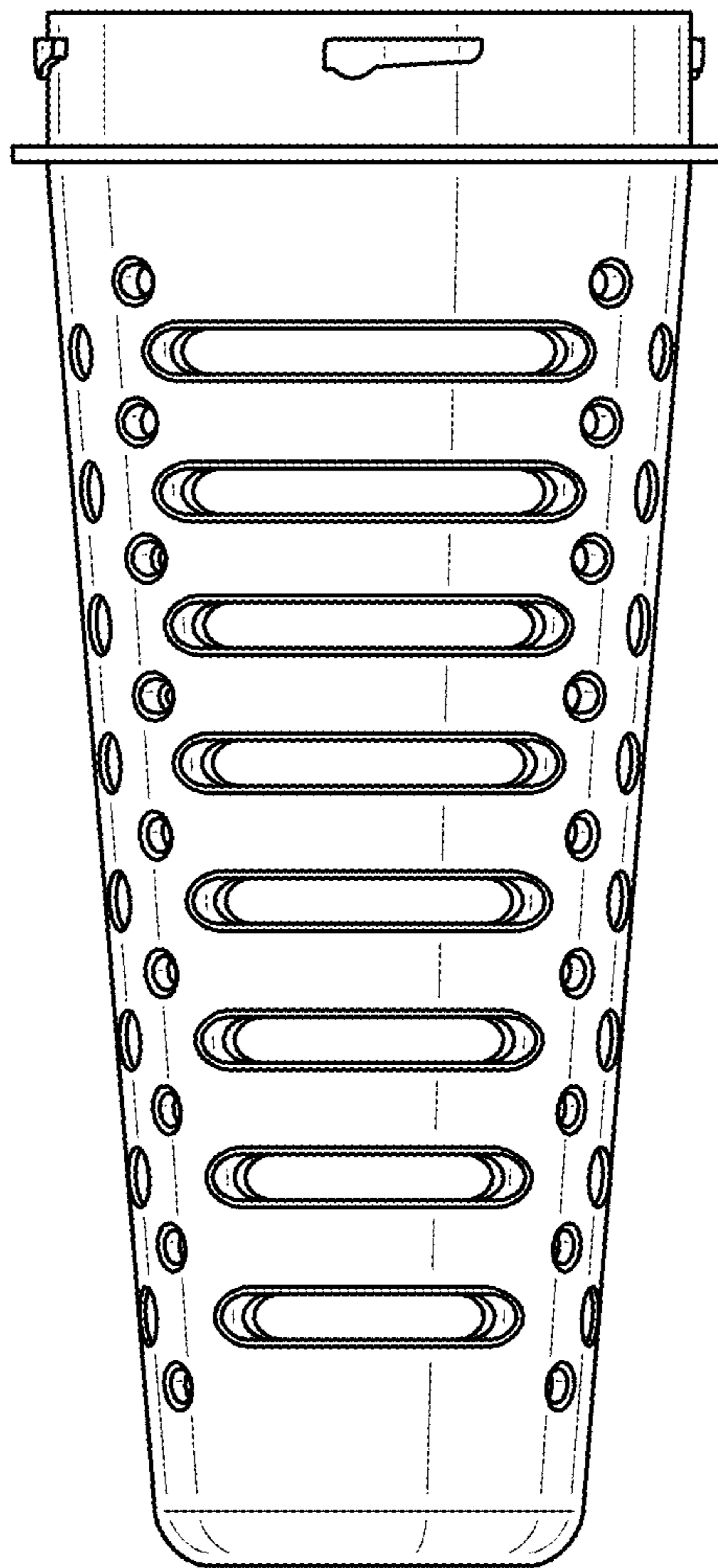


FIG. 3

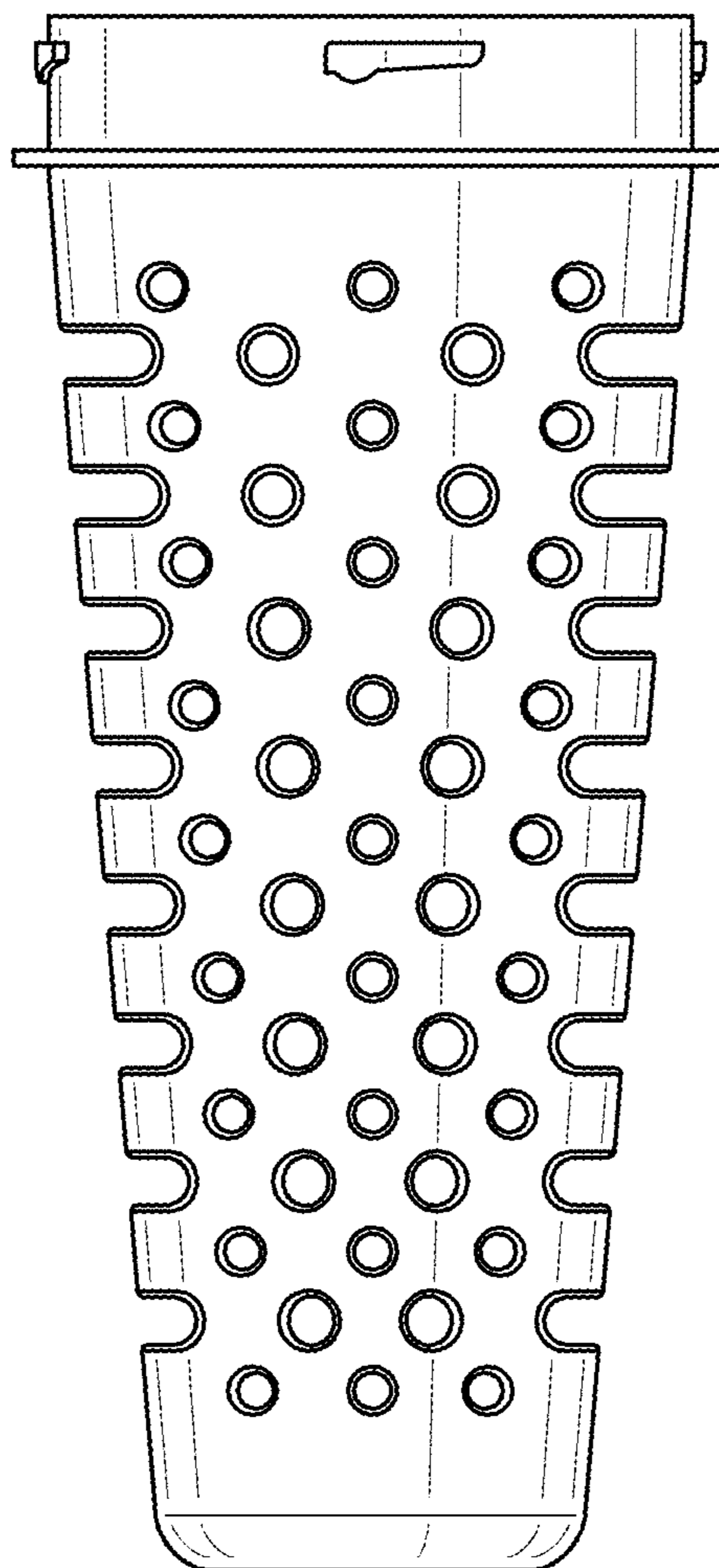


FIG. 4

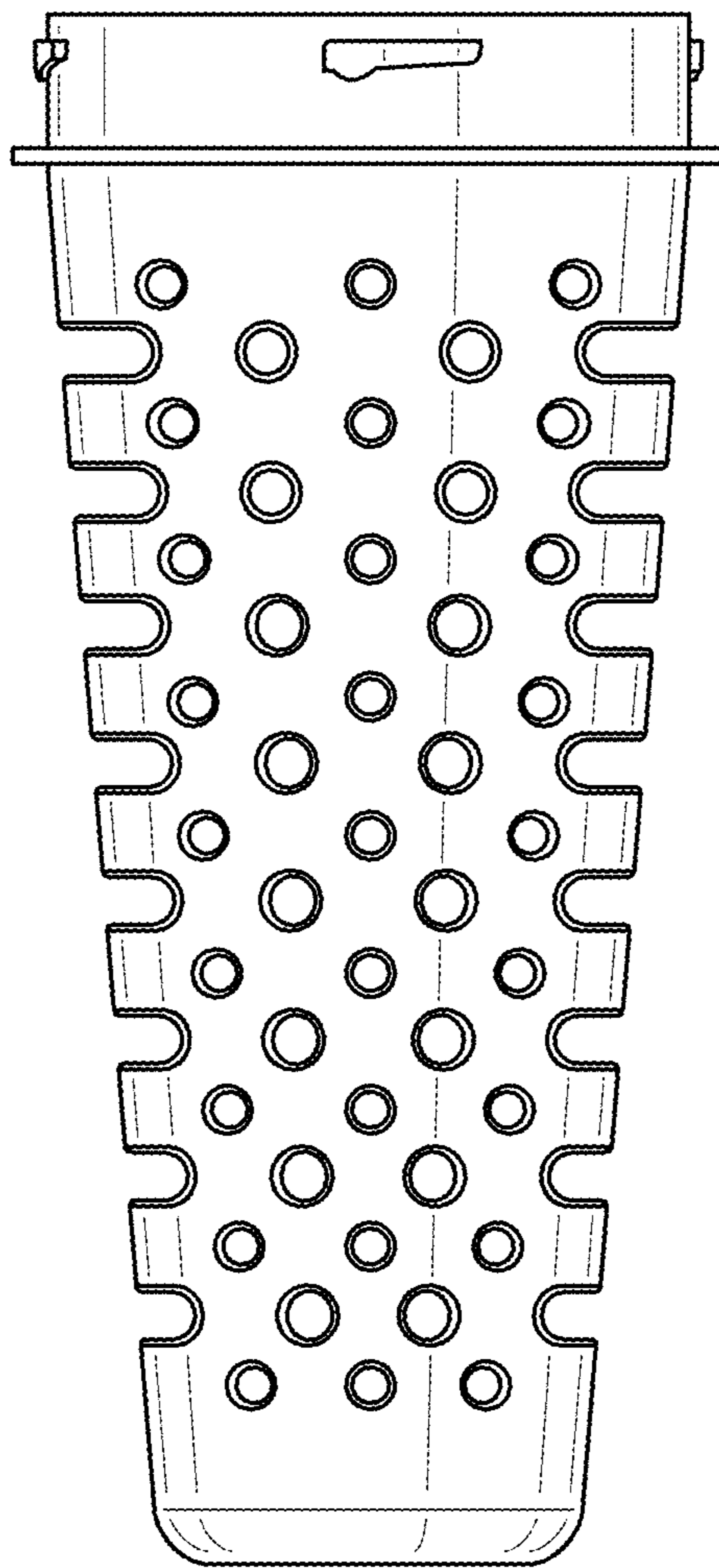


FIG. 5

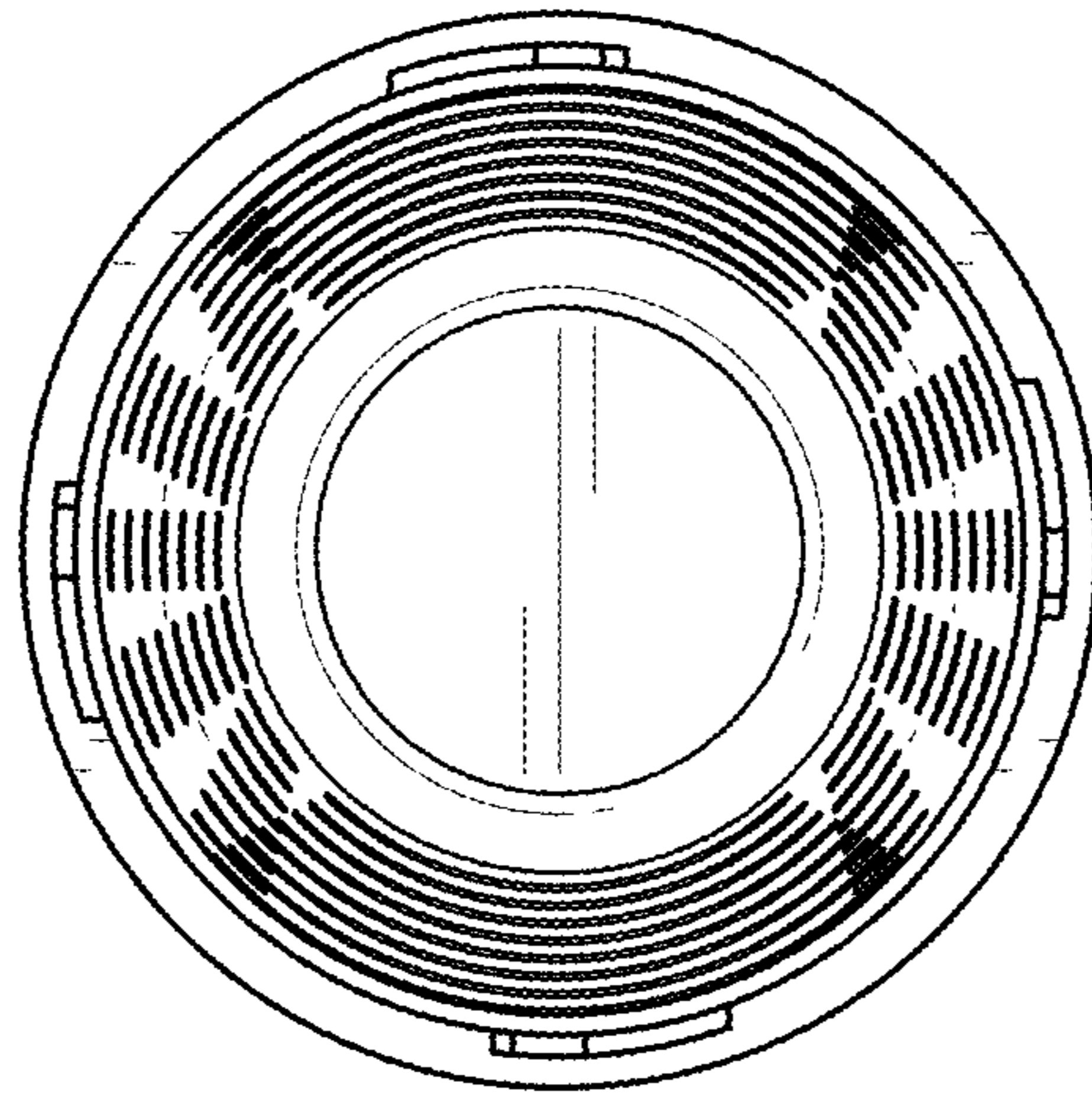


FIG. 6

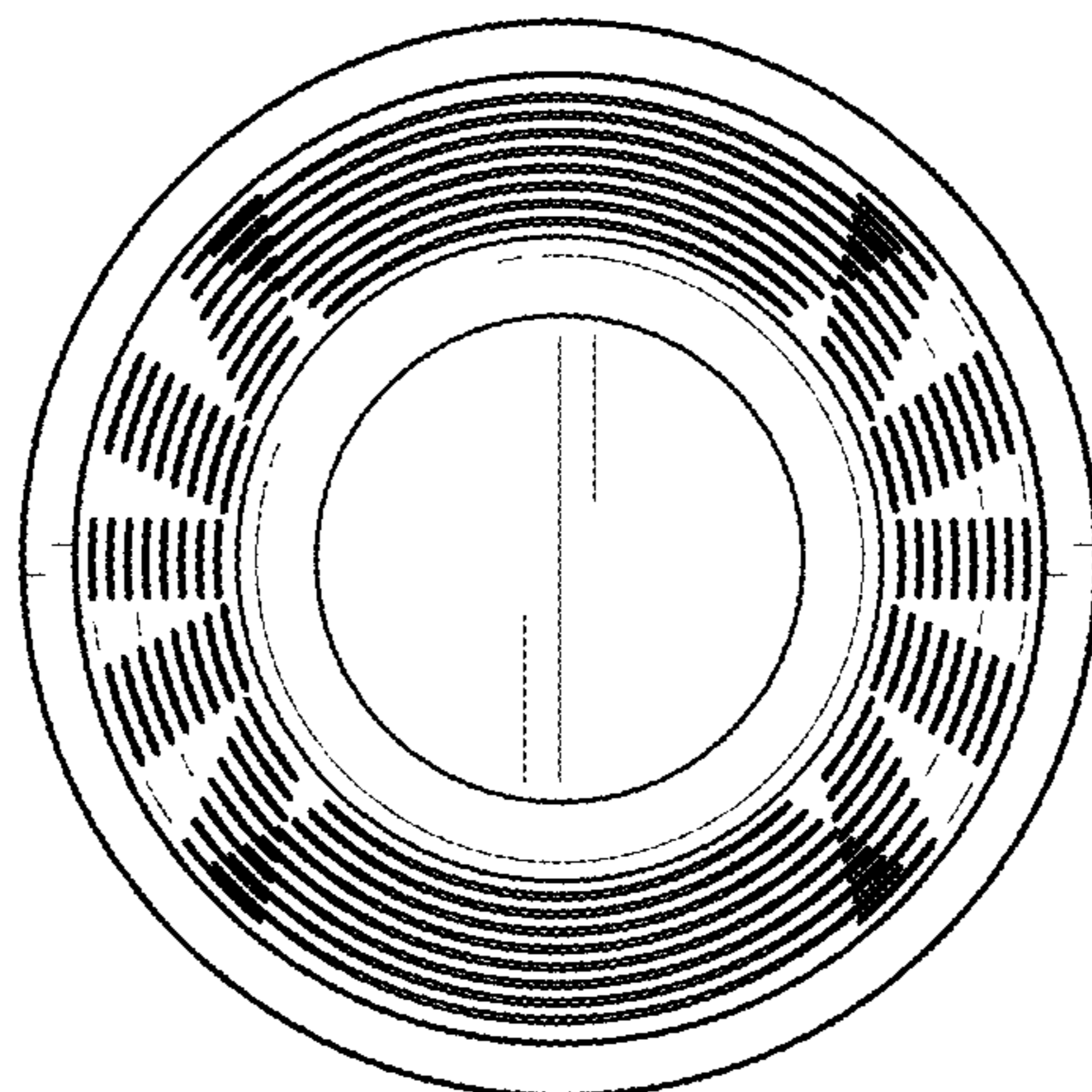


FIG. 7

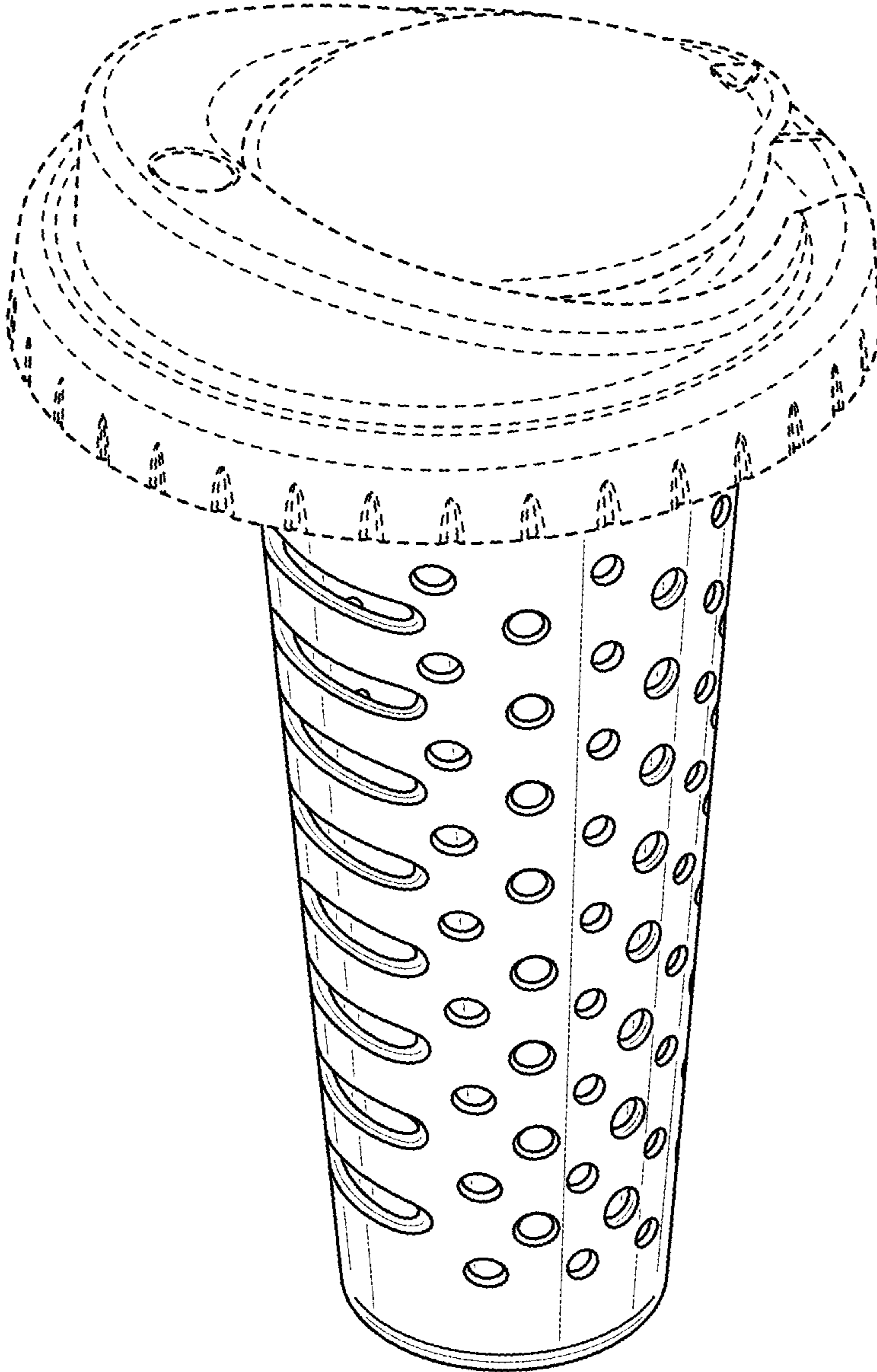


FIG. 8