



US00D815894S

(12) **United States Design Patent** (10) **Patent No.:** **US D815,894 S**
Ayers (45) **Date of Patent:** **** Apr. 24, 2018**

(54) **GLASS WITH ORNAMENTAL MARKINGS**
(71) Applicant: **Jeff Ayers**, Seattle, WA (US)
(72) Inventor: **Jeff Ayers**, Seattle, WA (US)
(**) Term: **15 Years**
(21) Appl. No.: **29/573,572**
(22) Filed: **Aug. 8, 2016**
(51) **LOC (11) Cl.** **07-99**
(52) **U.S. Cl.**
USPC **D7/396.4**; D7/532; D7/396.2
(58) **Field of Classification Search**
USPC D7/505, 507, 509-511, 523, 527, 529,
D7/531, 532, 300.1, 591, 608, 392.1,
D7/396.2, 396.4; D9/530, 504, 538, 557,
D9/570, 556, 440, 447, 449, 435, 434;
220/200, 592.16, 592.17; D10/46.2;
D24/197
CPC A47G 19/22; A47G 19/2205; A47G
19/2227; A45F 3/16; A47J 43/27; A47J
41/0077; A47J 31/18
See application file for complete search history.

D374,147 S * 10/1996 Lillelund D7/300.1
D404,970 S * 2/1999 Asberg D7/511
D417,406 S * 12/1999 Emery D10/46.2
D427,854 S * 7/2000 Chen
D433,876 S * 11/2000 Freed D7/523
D437,239 S * 2/2001 Wei D10/46.2
D454,757 S * 3/2002 Lack D7/509
D461,420 S * 8/2002 Kerman D10/46.2
D472,101 S * 3/2003 Janky D7/523
D502,633 S * 3/2005 Liu D7/509
D505,592 S * 5/2005 Liu D7/523
D506,641 S * 6/2005 Liu D7/523
D571,152 S * 6/2008 Tien D7/509
D580,766 S * 11/2008 Young D9/516
D587,527 S * 3/2009 Wolhendler D7/509

(Continued)

Primary Examiner — Marianne Pandozzi
Assistant Examiner — Jae Liang
(74) *Attorney, Agent, or Firm* — Knobbe Martens Olson
& Bear, LLP

(57) **CLAIM**

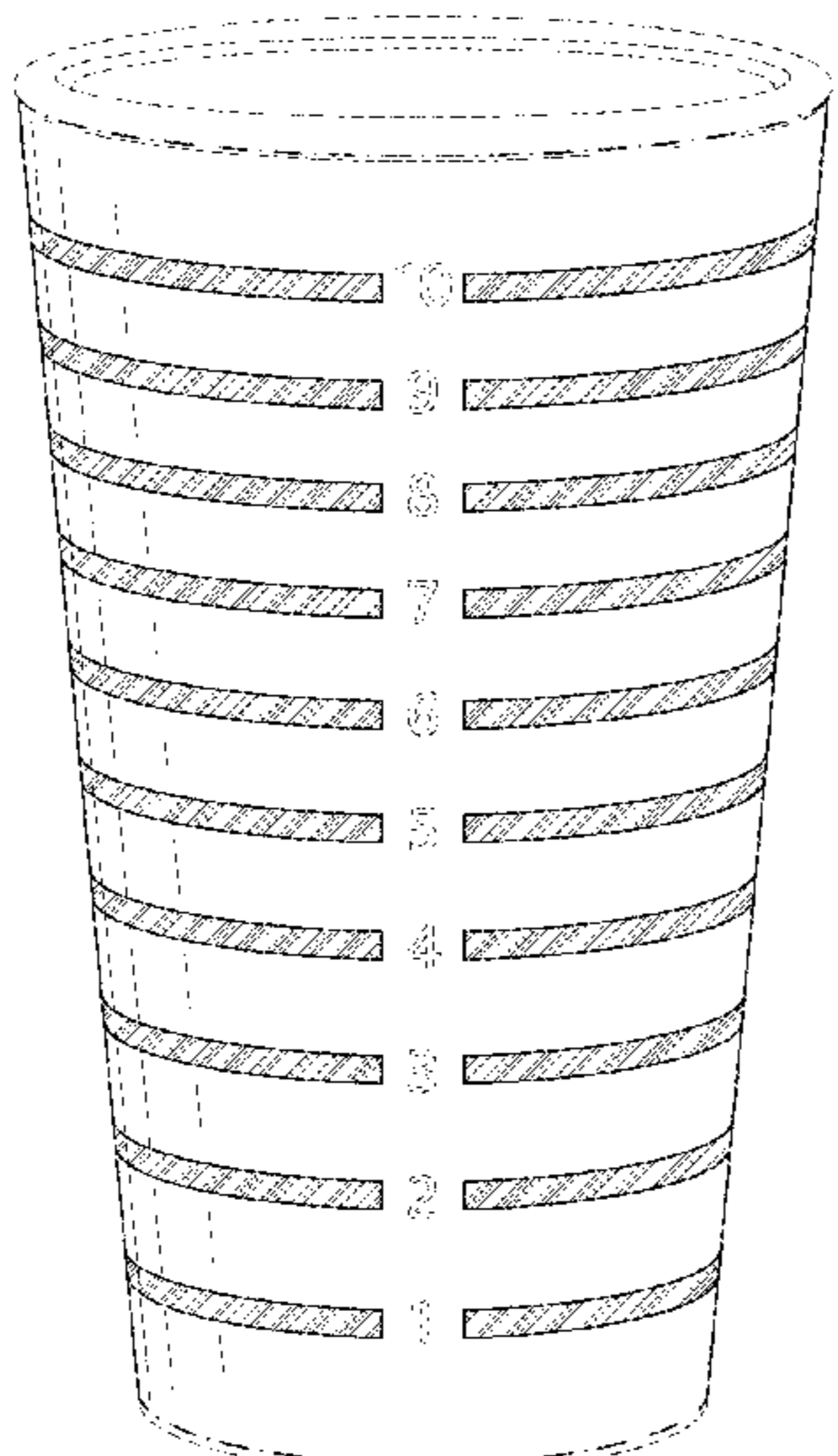
The ornamental design for a glass with ornamental markings, as shown and described.

DESCRIPTION

FIG. 1 is a top, front perspective view of a glass with ornamental markings showing my new design; FIG. 2 is a front side elevational view thereof; FIG. 3 is a right side elevational view thereof; FIG. 4 is a rear elevational view thereof; FIG. 5 is left side elevational view thereof; FIG. 6 is a top elevational view thereof; and, FIG. 7 is a bottom elevational view thereof. The broken lines in the drawings depict portions of the glass with ornamental markings that form no part of the claimed design. The Dot-dash lines in the drawings represent the bounds of the claim and form no part of the claimed design. The hatching lines in the drawings are used to indicate contrast in appearance.

1 Claim, 6 Drawing Sheets

(56) **References Cited**
U.S. PATENT DOCUMENTS
D27,258 S * 6/1897 Kemble D10/46.2
831,939 A * 9/1906 Deming G01F 19/00
422/74
D53,069 S * 3/1919 Fox D7/532
D96,622 S * 8/1935 Newton D7/532
D137,510 S * 3/1944 Eisele D24/197
D140,467 S * 2/1945 Morse D24/197
3,490,290 A * 1/1970 Bilson G01F 19/00
141/345
D247,840 S * 5/1978 Dixson D24/224
D289,484 S * 4/1987 Forquer D7/532
D328,492 S * 8/1992 Mathis D10/46.2
D330,862 S * 11/1992 Shibley D10/46.2



(56)

References Cited

U.S. PATENT DOCUMENTS

D597,365 S * 8/2009 Oas D7/300.1
D604,560 S * 11/2009 Priest D7/507
D628,442 S * 12/2010 Lundberg D7/509
D631,357 S * 1/2011 Pagliaro D7/300.1
D644,065 S * 8/2011 Llerena D7/300.1
D655,135 S * 3/2012 Myers D7/509
D669,310 S * 10/2012 Barreto D7/510
D674,663 S * 1/2013 Cahen D7/510
D696,586 S * 12/2013 Huang D7/511
D698,497 S * 1/2014 Smith D28/76
D726,476 S * 4/2015 Ercanbrack D7/300.1
D731,855 S * 6/2015 Riedel D7/523
D744,783 S * 12/2015 McClellan D7/507
D760,007 S * 6/2016 Barratt D29/126
D771,990 S * 11/2016 Horowitz D7/300.1
2016/0007782 A1 * 1/2016 Chicoine A47G 19/2288
219/438

* cited by examiner

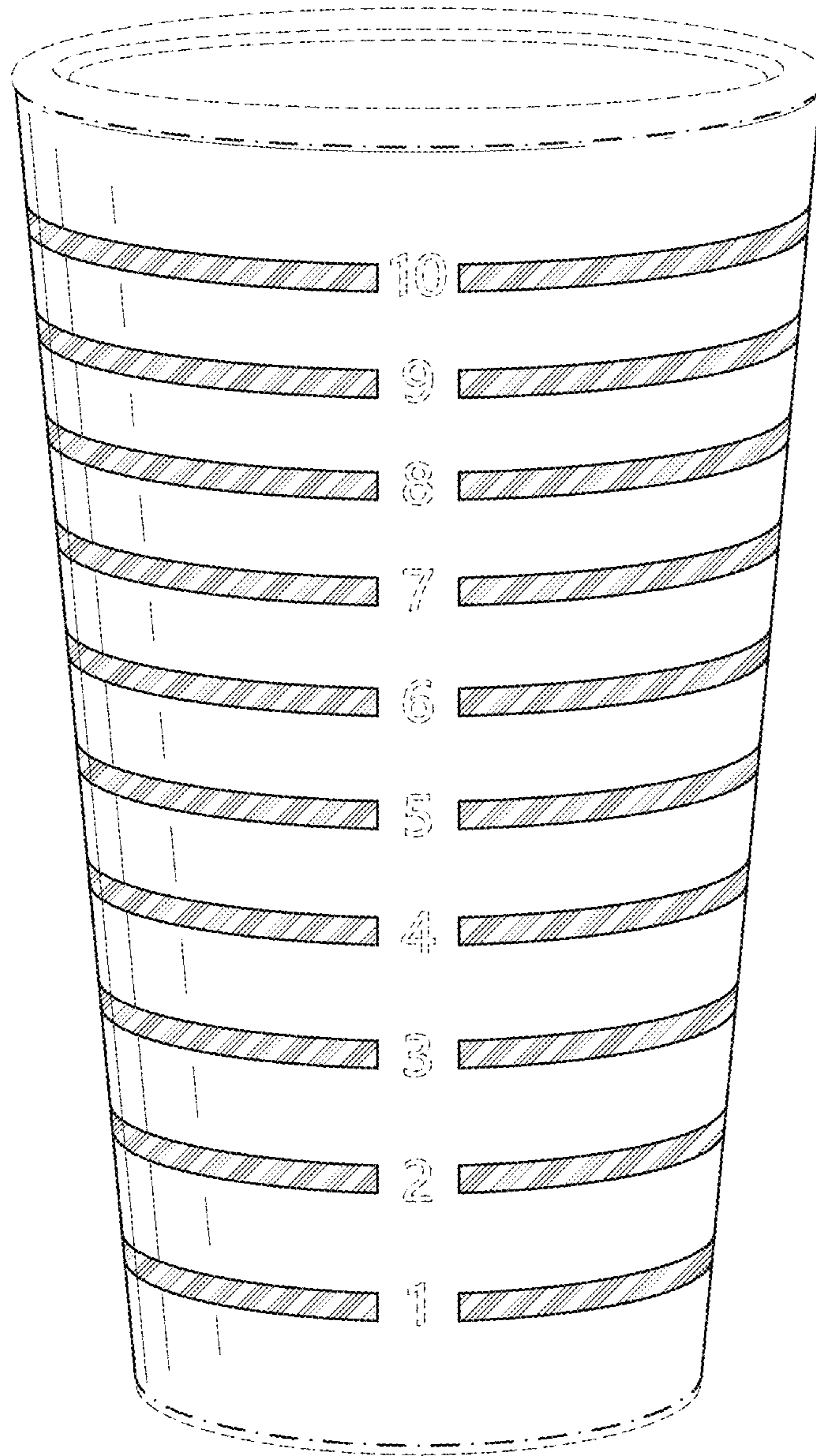


FIG. 1

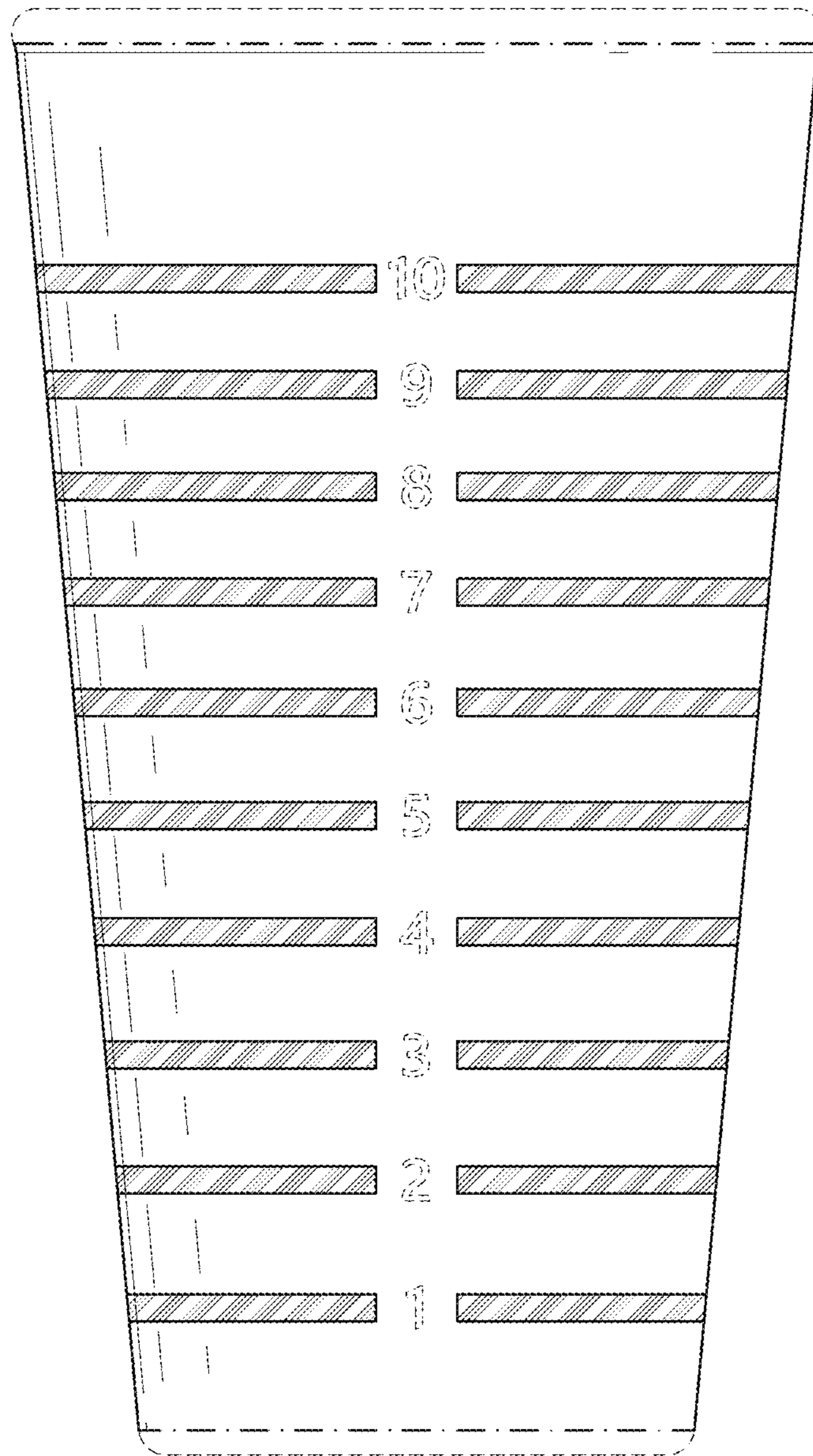


FIG. 2

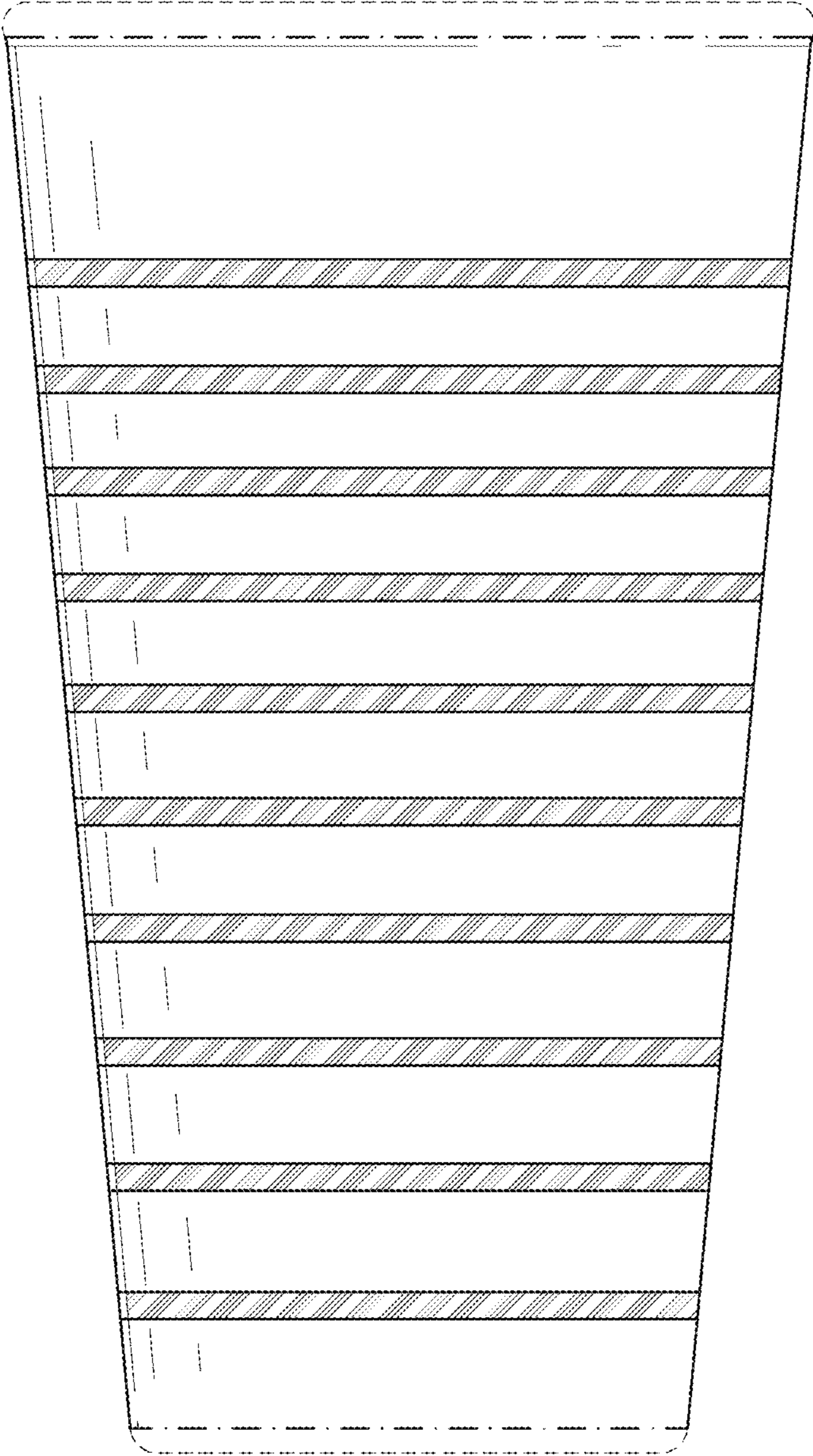


FIG. 3

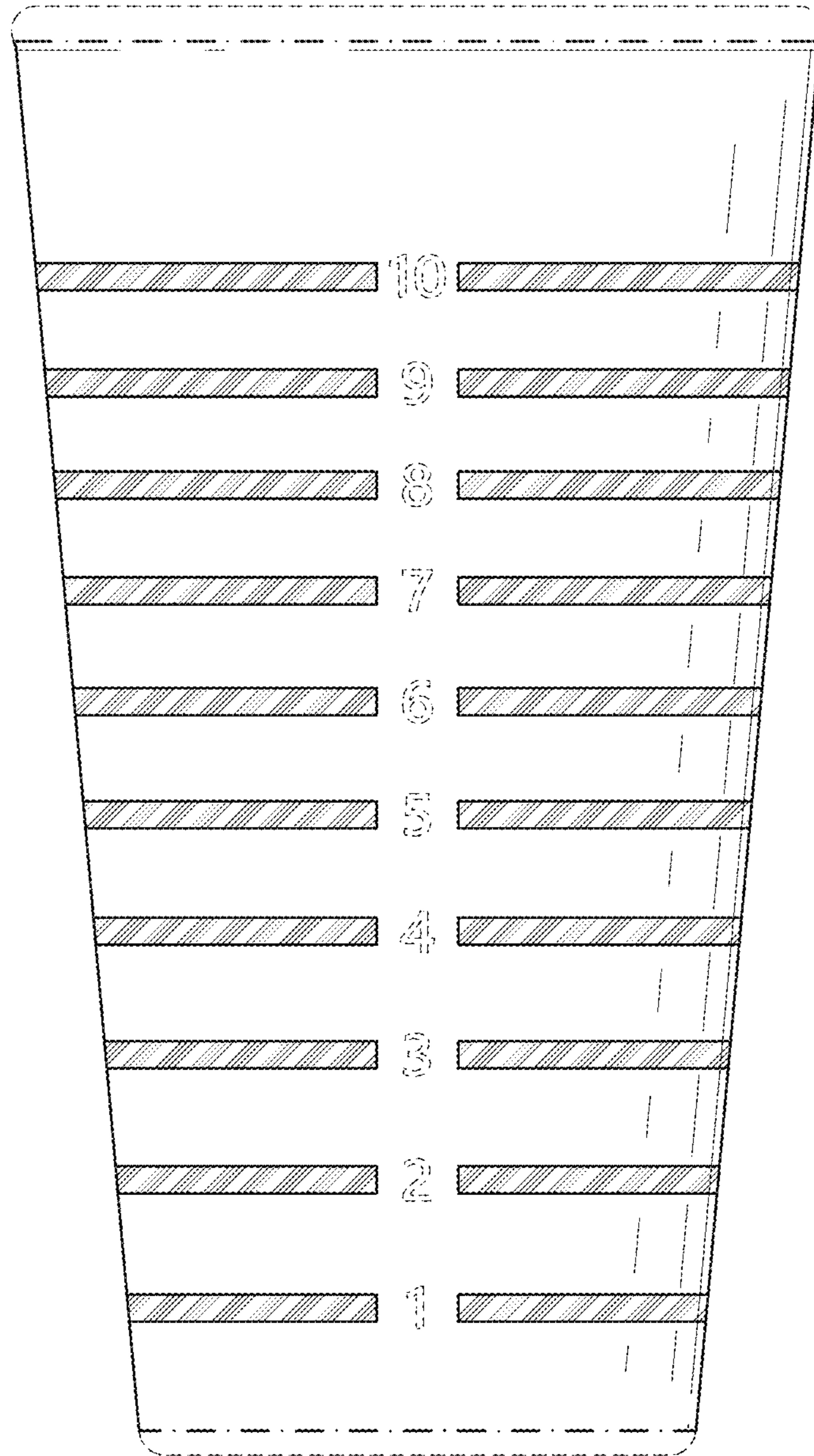


FIG. 4

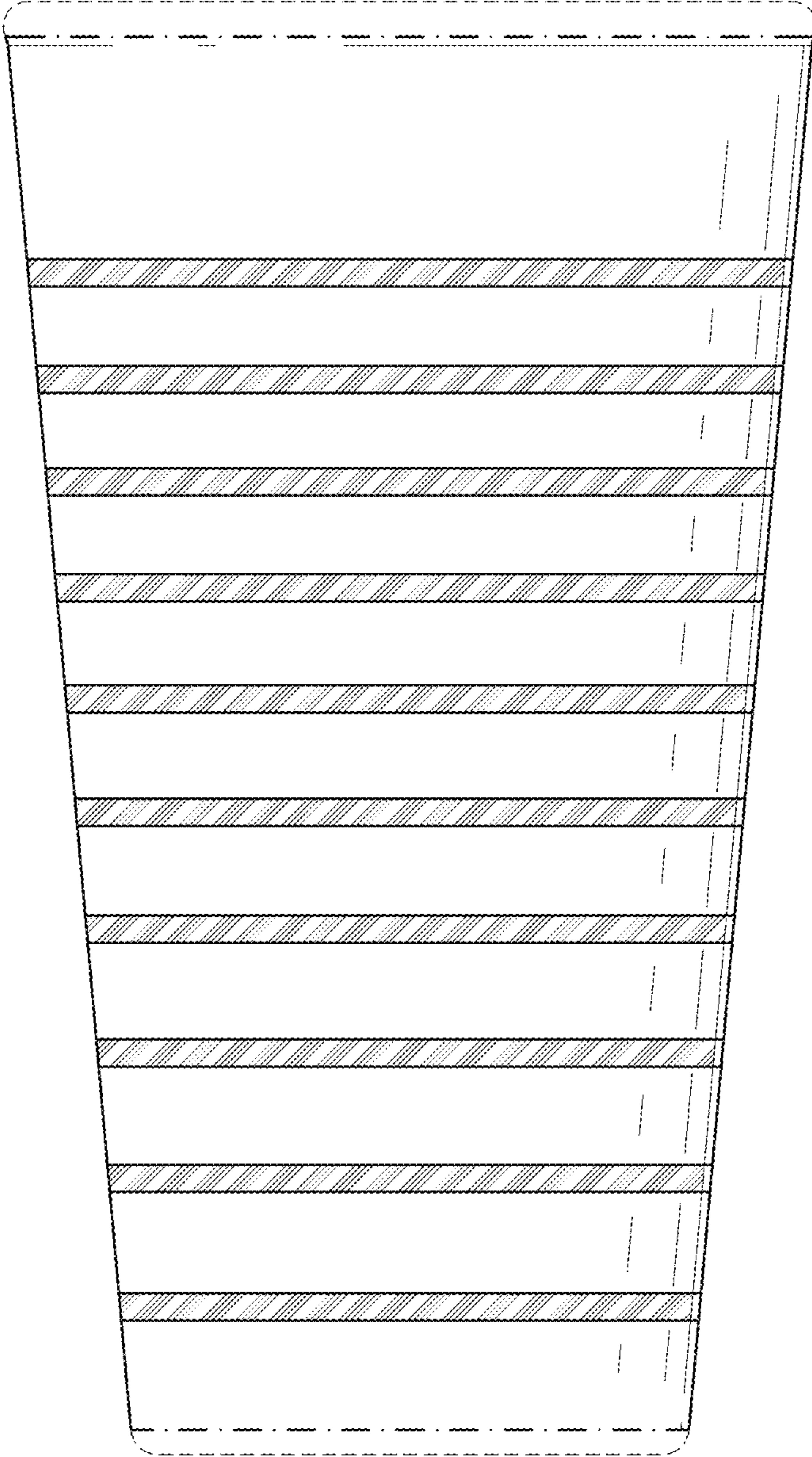


FIG. 5

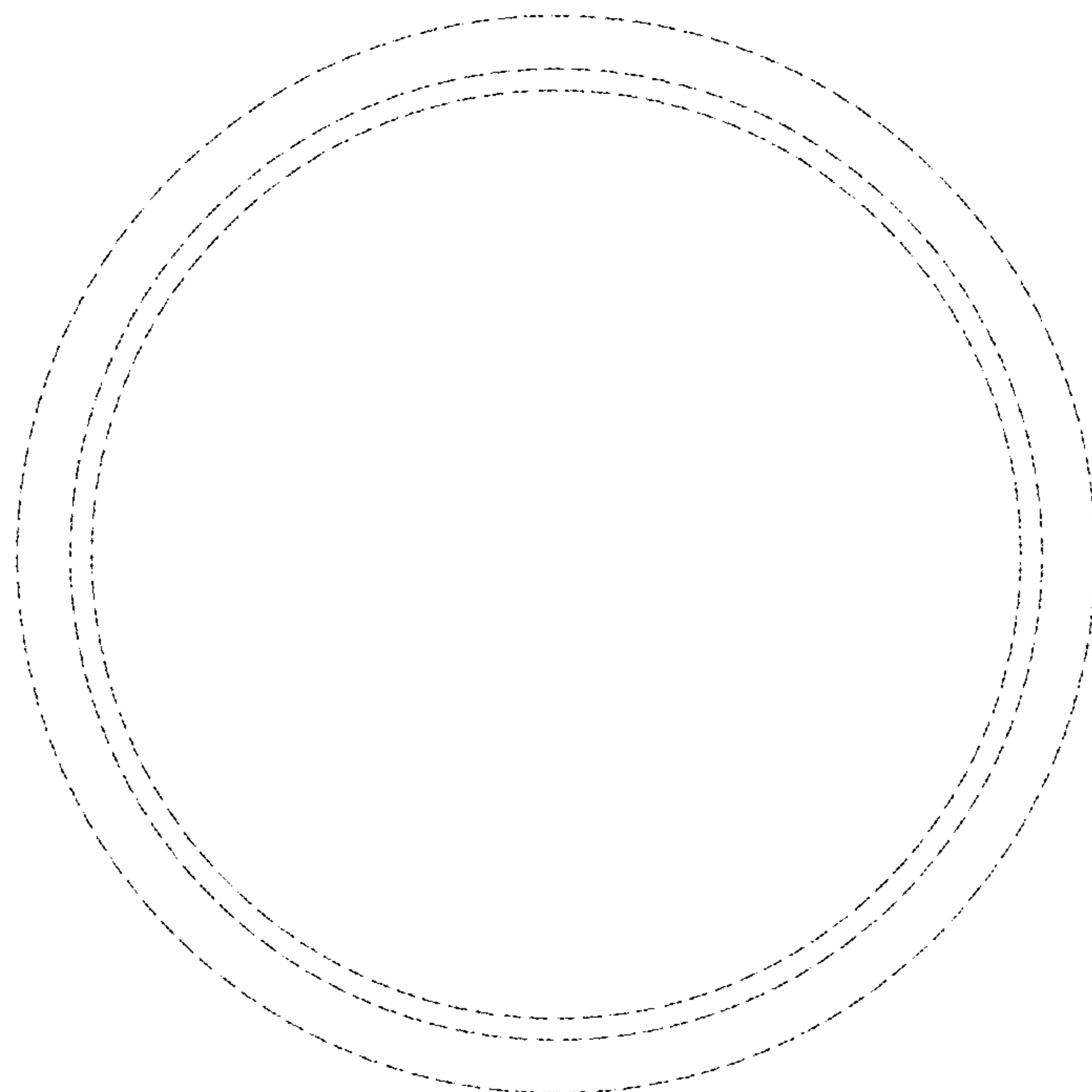


FIG. 6

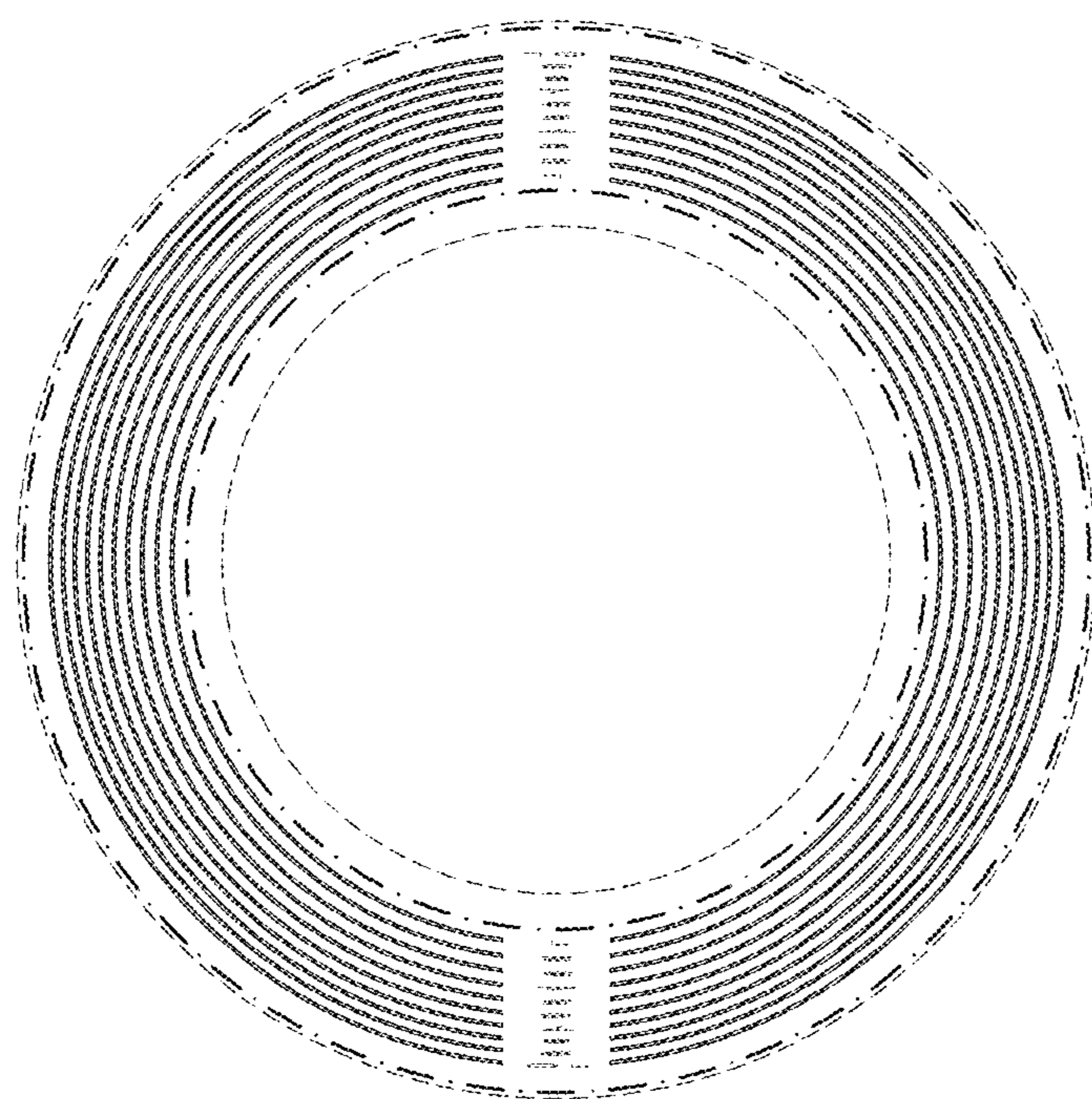


FIG. 7