



US00D815893S

(12) **United States Design Patent**
Seiders et al.

(10) **Patent No.:** **US D815,893 S**
(45) **Date of Patent:** **** Apr. 24, 2018**

(54) **LID**

(71) Applicant: **YETI Coolers, LLC**, Austin, TX (US)

(72) Inventors: **Roy Joseph Seiders**, Austin, TX (US);
Steve Charles Nichols, Austin, TX (US)

(73) Assignee: **YETI Coolers, LLC**, Austin, TX (US)

(**) Term: **15 Years**

(21) Appl. No.: **29/580,344**

(22) Filed: **Oct. 7, 2016**

(51) **LOC (11) Cl.** **07-01**

(52) **U.S. Cl.**
USPC **D7/396.2**; D9/449

(58) **Field of Classification Search**
USPC D3/202, 318, 298; D7/213, 300, 300.1,
D7/312-314, 316-319, 321, 322, 387,
D7/392, 392.1, 396.2, 396.3, 397, 398,
D7/510, 533, 394, 511; D9/448-450,
D9/434-436, 440, 443, 447, 499, 454
CPC B65D 17/00; B65D 17/166; B65D 47/286;
B65D 51/007; B65D 51/1672
See application file for complete search history.

(56) **References Cited**

U.S. PATENT DOCUMENTS

D109,789 S *	5/1938	Pershall	D7/392
D112,150 S *	11/1938	Pershall	D7/392
D114,536 S *	5/1939	Hacmac	D7/392
D121,154 S *	6/1940	Bernhardt	D7/392
2,304,214 A *	12/1942	Straub	B65D 47/286 220/254.9
D177,559 S	5/1956	Emmert		
D209,308 S	11/1967	Schilling		
D217,781 S	6/1970	Stone		
D229,006 S	11/1973	Sauey		
3,938,690 A	2/1976	Butler		

(Continued)

FOREIGN PATENT DOCUMENTS

AU 2011211425 A1 9/2011
CN 301355584 9/2010

(Continued)

OTHER PUBLICATIONS

Dick's Sporting Goods. YETI 10/20 oz. Rambler MagSlider Lid. Jun. 2017 [earliest online date], [site visited Oct. 26, 2017]. Available from Internet, <URL:https://www.dickssportinggoods.com/p/yeti-10-20-ozrambler-magslider-lid-17yeta1020mgslldrldr/17yeta1020mgslldrldr>. (Year: 2017).*

(Continued)

Primary Examiner — Robert M. Spear

Assistant Examiner — Darcey E Heflin

(74) *Attorney, Agent, or Firm* — Banner & Witcoff, Ltd.

(57) **CLAIM**

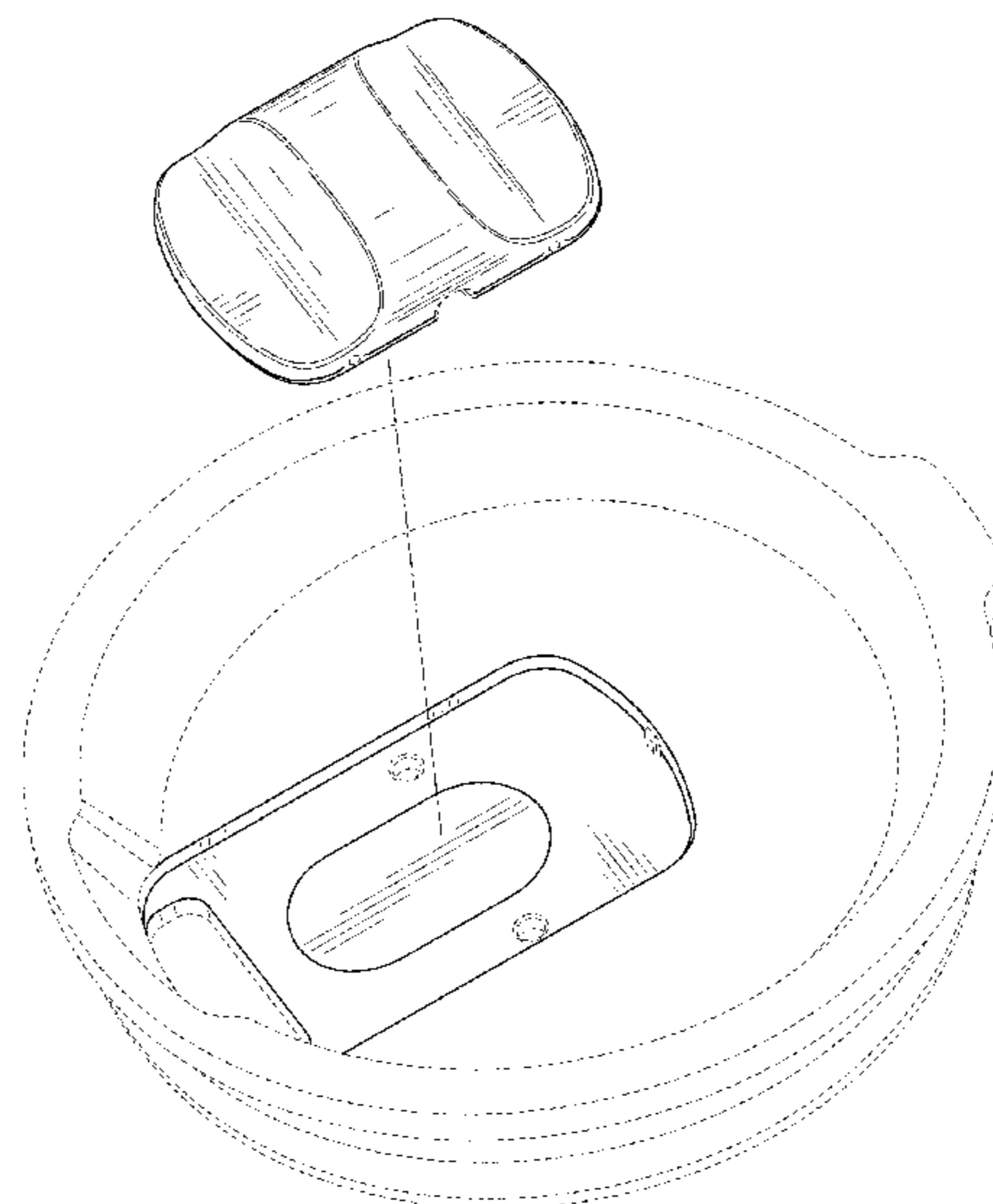
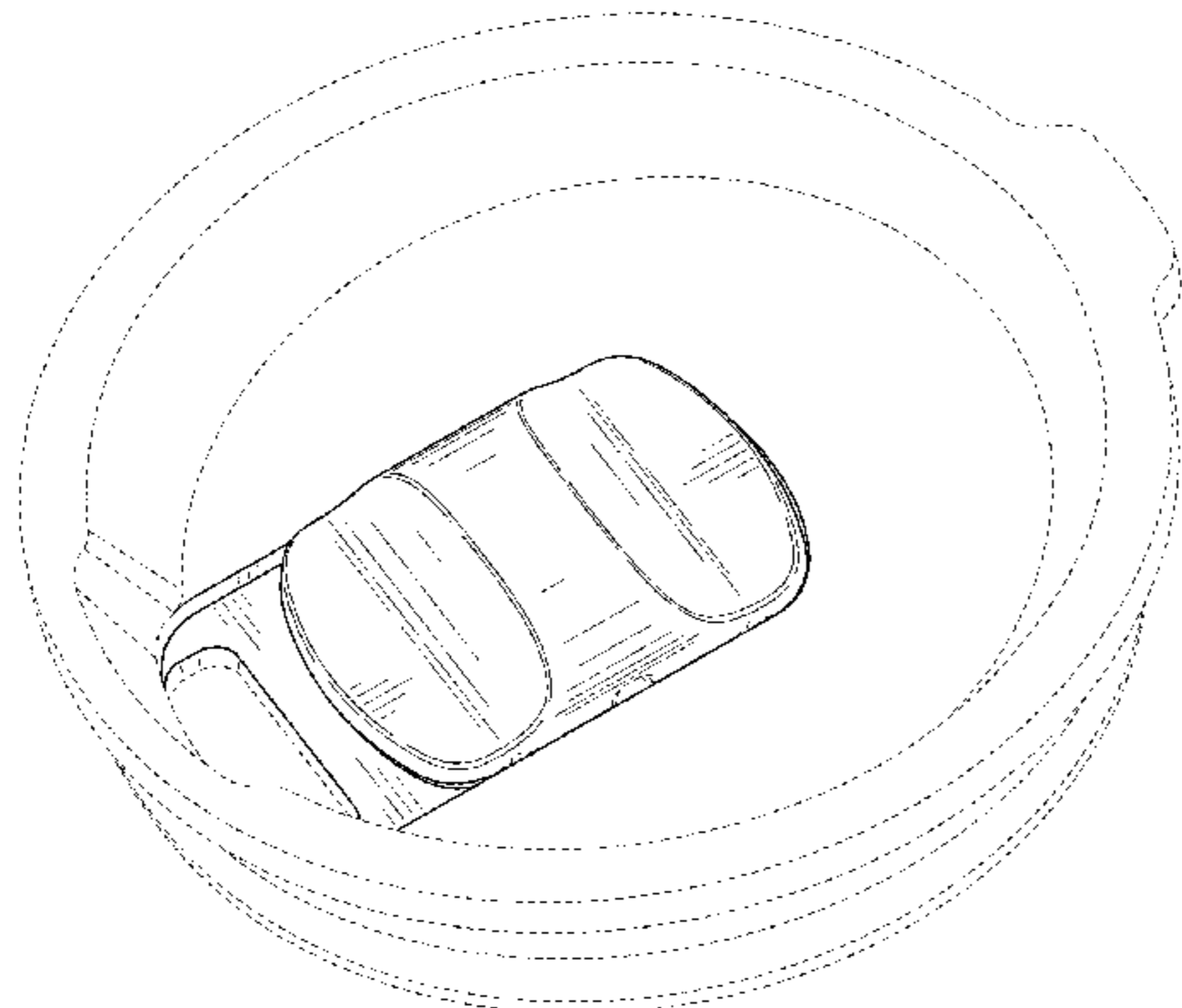
The ornamental design for a lid, as shown and described.

DESCRIPTION

FIG. 1 is a top, front, right perspective view of a lid showing our new design in an open position; FIG. 2 is a front view thereof; FIG. 3 is a rear view thereof; FIG. 4 is a right side view thereof; FIG. 5 is a left side view thereof; FIG. 6 is a top view thereof; FIG. 7 is a bottom view thereof; and, FIG. 8 is an exploded view of the perspective view shown in FIG. 1 for clarity of disclosure.

The broken lines immediately adjacent to the shaded area represent unclaimed boundaries of the design. The broken lines showing the remainder of the lid are for environmental purposes only and form no part of the claimed design.

1 Claim, 6 Drawing Sheets



(56)

References Cited

U.S. PATENT DOCUMENTS

4,057,167 A	11/1977	Lee		D548,523 S	8/2007	Greenspon	
4,570,817 A	2/1986	Hambleton et al.		D550,032 S	9/2007	Tien	
D285,032 S	8/1986	Alonzo		D550,503 S	9/2007	Liu	
D288,667 S *	3/1987	Miner	D9/440	D553,440 S	10/2007	Bodum	
D289,484 S	4/1987	Forquer et al.		7,275,653 B2	10/2007	Tedford, Jr.	
D307,743 S	5/1990	Pierce et al.		D554,431 S	11/2007	Tien	
D314,708 S *	2/1991	DeCoster	D9/435	D558,523 S	1/2008	Bhavnani	
D379,738 S	6/1997	Liming et al.		D565,901 S	4/2008	Edelstein et al.	
D384,646 S *	10/1997	Miller	D13/170	D568,107 S	5/2008	Bhavnani	
D412,806 S	8/1999	Pierce		D569,182 S	5/2008	Homma	
D416,755 S	11/1999	Trombly		D569,183 S	5/2008	Blake	
D416,757 S	11/1999	Ginuntoli		D571,152 S	6/2008	Tien	
5,984,156 A	11/1999	Bridges		D571,154 S	6/2008	Pearson	
D417,589 S	12/1999	Parker		D572,083 S	7/2008	Tien	
D417,819 S	12/1999	Kelly-Pollet		D572,473 S	7/2008	Tuttle	
D425,374 S	5/2000	Besser et al.		D572,474 S	7/2008	Tuttle	
D433,876 S	11/2000	Freed		D572,475 S	7/2008	Tuttle	
D436,295 S	1/2001	Furman et al.		D573,839 S	7/2008	Sun	
D446,687 S	8/2001	Furman et al.		D577,260 S	9/2008	Bodum	
D448,620 S	10/2001	Neal		D582,206 S	12/2008	Fuller	
D449,963 S	11/2001	Neal		D583,191 S	12/2008	Wong	
D455,610 S	4/2002	Bridges		D584,102 S	1/2009	Valderrama et al.	
D456,212 S	4/2002	Bridges		D584,106 S *	1/2009	Wong	D7/396.2
D457,389 S	5/2002	Snell		D586,182 S	2/2009	Trombly	
D457,395 S	5/2002	Gluck		D589,747 S	4/2009	Wong	
D458,081 S	6/2002	Bodum		D589,751 S	4/2009	Liu et al.	
D458,082 S	6/2002	Gluck		D591,103 S	4/2009	Wong	
RE37,773 E	7/2002	Trombly		7,513,380 B2	4/2009	Canedo	
D461,679 S	8/2002	Robinson et al.		D591,556 S	5/2009	Fuller	
D462,575 S	9/2002	Gluck		D593,802 S	6/2009	Baek	
D463,715 S	10/2002	Dretzka		D600,073 S	9/2009	Carreno	
D466,371 S	12/2002	Parker		7,591,389 B2	9/2009	Wong	
D471,763 S	3/2003	Hurlbut et al.		D604,102 S	11/2009	Pearson	
D472,101 S	3/2003	Janky		7,611,029 B2	11/2009	Wong	
D475,891 S	6/2003	Bin		D609,526 S	2/2010	Tuttle	
D476,193 S	6/2003	Janky		D613,554 S	4/2010	Koennecke	
D477,185 S	7/2003	Janky		D615,358 S	5/2010	Wahl	
D477,532 S	7/2003	Wong		D618,050 S	6/2010	Eisenhardt	
6,626,326 B2	9/2003	Murakami		D618,964 S	7/2010	Eisenhardt	
D481,590 S	11/2003	Lin		D621,659 S	8/2010	Liu	
D481,591 S	11/2003	Lin		D622,548 S	8/2010	Jensen et al.	
D482,238 S	11/2003	Lin		D625,951 S	10/2010	Baek	
D483,165 S	12/2003	Dretzka		D629,653 S	12/2010	Gullickson et al.	
D483,995 S	12/2003	Otake		7,845,510 B2	12/2010	Schmidtner et al.	
D486,996 S	2/2004	Karp		7,850,037 B2	12/2010	Schmidtner et al.	
D488,672 S	4/2004	Oas		D631,284 S	1/2011	Fuller	
D490,274 S	5/2004	Irvine		7,874,447 B2	1/2011	Schmidtner et al.	
6,752,287 B1	6/2004	Lin		D631,699 S	2/2011	Moreau	
D493,068 S	7/2004	Slater et al.		D647,760 S	11/2011	Pearson	
D498,979 S	11/2004	Bhavnani		D648,599 S	11/2011	Watanabe et al.	
6,824,003 B1	11/2004	Wong		D651,045 S	12/2011	Eyal	
D511,653 S	11/2005	Oas		D652,248 S	1/2012	Valderrama et al.	
D515,358 S	2/2006	Orr et al.		D659,474 S	5/2012	Wahl et al.	
D522,855 S	6/2006	Liebe et al.		D660,082 S	5/2012	Wahl	
D523,692 S	6/2006	Meehan		D664,001 S	7/2012	Liu	
D530,153 S	10/2006	Karp		8,215,519 B2	7/2012	Steininger	
D531,033 S	10/2006	Schmidtner et al.		D666,052 S	8/2012	Trombly	
D531,451 S	11/2006	Bin		D667,268 S	9/2012	Pallotto	
D533,402 S	12/2006	Bin		D667,272 S	9/2012	Fishman et al.	
D533,747 S	12/2006	Jin		D669,306 S	10/2012	Barreto et al.	
D533,748 S	12/2006	Bresler		D669,310 S	10/2012	Barreto et al.	
D533,779 S	12/2006	Schmidtner et al.		D669,735 S	10/2012	Wong	
D534,069 S *	12/2006	Ohno	D3/298	D675,063 S	1/2013	Wahl	
D534,396 S	1/2007	Kramer		D677,122 S	3/2013	Liu	
D536,213 S	2/2007	Schuler et al.		8,397,934 B2	3/2013	Lai	
D536,214 S	2/2007	Schuler et al.		8,397,940 B2	3/2013	Steininger	
D537,677 S	3/2007	Bresler		8,403,166 B2	3/2013	Steininger	
D539,609 S	4/2007	Ying et al.		D693,176 S	11/2013	Kaiser	
D541,105 S	4/2007	Jin		D696,586 S	12/2013	Huang	
D545,128 S	6/2007	Liu et al.		D698,200 S	1/2014	Lauwagie	
D545,129 S	6/2007	Tien		8,640,904 B2	2/2014	Steininger et al.	
D548,012 S	8/2007	Tien		D704,986 S *	5/2014	Manies	D7/392
D548,522 S	8/2007	Greenspon		D711,280 S	8/2014	Tannenbaum	
				D712,701 S	9/2014	Boroski	
				D713,202 S	9/2014	Lin	
				D713,686 S	9/2014	Eyal	
				D715,100 S	10/2014	Eyal	

(56)

References Cited

U.S. PATENT DOCUMENTS

D717,103	S	*	11/2014	Wilbur	D7/392.1
D717,605	S		11/2014	Kristinik		
D717,606	S		11/2014	Kristinik		
D718,087	S		11/2014	Marasligiller et al.		
D720,183	S		12/2014	Chiang		
8,919,593	B2		12/2014	Sinacori et al.		
8,925,756	B2		1/2015	Tarapata et al.		
D725,970	S		4/2015	Karussi et al.		
D728,313	S		5/2015	Bo		
D729,581	S		5/2015	Boroski		
9,022,239	B2		5/2015	Mackenzie et al.		
D731,251	S		6/2015	Lane		
D732,338	S		6/2015	Boroski		
D732,343	S		6/2015	Romley		
D732,895	S		6/2015	McClellan		
D734,092	S		7/2015	Kristinik		
D736,564	S		8/2015	Thornton et al.		
D742,173	S		11/2015	Perman		
D743,209	S		11/2015	Maas et al.		
D744,280	S	*	12/2015	Chiang	D7/510
D744,286	S		12/2015	Morris, II et al.		
D751,338	S		3/2016	Seiders et al.		
D751,339	S		3/2016	Seiders et al.		
D751,340	S		3/2016	Seiders et al.		
D751,341	S		3/2016	Seiders et al.		
D758,792	S		6/2016	Karussi		
D761,619	S		7/2016	Seiders et al.		
D790,272	S	*	6/2017	Han	D7/396.2
D790,913	S	*	7/2017	Stover	D7/396.2
D796,256	S	*	9/2017	Stover	D7/396.2
D798,716	S	*	10/2017	Fitchell	D9/449
2005/0121015	A1		6/2005	Postorivo		
2007/0272650	A1		11/2007	Kishi et al.		
2008/0006643	A1		1/2008	Ma		
2008/0073343	A1		3/2008	Shadrach et al.		
2008/0073347	A1		3/2008	Shadrach		
2008/0087264	A1		4/2008	Postorivo		
2010/0200590	A1		8/2010	Shadrach, III et al.		
2010/0206874	A1		8/2010	Masurier et al.		
2010/0251119	A1		9/2010	Geppert et al.		
2011/0079601	A1		4/2011	Steininger		
2012/0080429	A1		4/2012	Steininger		
2012/0080456	A1		4/2012	Steininger		
2012/0205371	A1		8/2012	Lee		
2012/0305558	A1		12/2012	Steininger		
2012/0305559	A1		12/2012	Steininger		
2012/0305563	A1		12/2012	Steininger		
2012/0312816	A1		12/2012	Barreto et al.		
2013/0140316	A1		6/2013	Flowers et al.		
2013/0213978	A1		8/2013	Libourel et al.		
2013/0320013	A1		12/2013	Bratsch		
2015/0102032	A1		4/2015	Dunn et al.		
2015/0102046	A1		4/2015	Steininger		
2016/0272384	A1		9/2016	Lee et al.		
2017/0121073	A1*		5/2017	Seiders	B65D 51/18
2017/0121074	A1*		5/2017	Seiders	A47G 19/2272
2017/0225855	A1		8/2017	Lawson et al.		

FOREIGN PATENT DOCUMENTS

CN	302770712	3/2014
CN	302823399	5/2014
CN	302846547	6/2014
CN	303176496	4/2015
CN	303652430	11/2015
CN	303589339	2/2016
CN	303883775	10/2016
EM	002775078-0001	11/2015
JP	D1507225	9/2014
WO	2007087185 A2	8/2007
WO	2008021523 A2	2/2008
WO	2008121942 A2	10/2008
WO	2012031994 A1	3/2012
WO	2012107861 A2	8/2012

OTHER PUBLICATIONS

United States District Court Western District of Texas Austin Division, "Complaint," *YETI Coolers, LLC v. Godinger Silver Art, Ltd.*, Cathy's Concepts, Inc., Viatek Consumer Products Group, Inc., Case: 1:17-cv-00467, Document #1, filed May 16, 2017, 22 pages.

United States District Court Western District of Texas Austin Division, "Complaint," *YETI Coolers, LLC v. Bayou Ice Boxes, Inc.*, Case: 1:17-cv-00261, Document #1, filed Mar. 24, 2017, 41 pages.

United States District Court Western District of Texas Austin Division, "Complaint," *YETI Coolers, LLC v. Vickery Products, LLC d/b/a Axis Cups, f/d/b/a Frio Cups*, Case: 1:17-cv-00260, Document #1, filed Mar. 24, 2017, 52 pages.

United States District Court Western District of Texas Austin Division, "Complaint," *YETI Coolers, LLC v. Gourmet Home Products, LLC*, Case: 1:17-cv-00533, Document #1, filed Jun. 2, 2017, 25 pages.

United States District Court Western District of Texas Austin Division, "Complaint," *YETI Coolers, LLC v. Wadley Holdings, LLC d/b/a Meadowcraft, and Southern Sales & Marketing Group, Inc. d/b/a nICE*, Case 1:17-cv-00421, Document 1, filed May 5, 2017, 121 pages.

United States District Court Western District of Texas Austin Division, "Complaint," *YETI Coolers, LLC v. JDS Industries, Inc., Lionel Laundry Jr., d/b/a Accolades Awards & Engraving, Creating and Fast LLC d/b/a Promotional Products San Antonio, Kelly Scoggins d/b/a King Engraving, Jamey Z. Apps d/b/a Roberts Trophies, and Eagle Media, Inc.*, Case 1:17-cv-00424, Document 1, filed May 5, 2017, 62 pages.

United States District Court Western District of Texas Austin Division, "Complaint," *YETI Coolers, LLC v. Glacier coolers, LLC, and Tecomate Holdings, LLC*, Case 1:17-cv-00586, Document 1, filed Jun. 15, 2017, 161 pages.

United States District Court Western District of Texas Austin Division, "Complaint," *YETI Coolers, LLC v. Gametime Sidekicks, LLC*, Case 1:17-cv-00413, Document 1, filed May 5, 2017, 107 pages.

United States District Court Western District of Texas Austin Division, "Complaint," *YETI Coolers, LLC v. Kodiak coolers, LLC and Flexible Automation LLC*, Case 1:17-cv-00422, Document 1, filed May 5, 2017, 51 pages.

English translation of Office Action issued on Oct. 18, 2016 for JP Application No. 2016-004374, 4 pages.

"Osulloc Green Cup," retrieved from http://www.edaymall.com/display/goods.do?media_code=E06&goods_code=10183708 on Sep. 6, 2016.

United States District Court Western District of Texas Austin Division, "Complaint," *YETI Coolers, LLC v. Benner China and Glassware Florida, Inc.*, Case: 1:16-cv-00142-RP, Document #1, filed Feb. 16, 2016, 21 pages.

United States District Court Western District of Texas Austin Division, "Complaint," *YETI Coolers, LLC v. Blackbird Products Group, LLC, d/b/a Mammoth Coolers*, Case: 1:15-cv-01105, Document #1, filed Dec. 7, 2015, 266 pages.

United States District Court Western District of Texas Austin Division, "Defendant Blackbird Products Group, LLC's Answer and Affirmative Defenses to Plaintiff Yeti Coolers, LLC's Complaint," *YETI Coolers, LLC v. Blackbird Products Group, LLC, d/b/a Mammoth Coolers*, Case: 1:15-cv-01105-SS, Document #13, filed Dec. 28, 2015, 11 pages.

United States District Court Western District of Texas Austin Division, "Order," *YETI Coolers, LLC v. Blackbird Products Group, LLC, d/b/a Mammoth Coolers*, Case: 1:15-cv-01105-RP, Document #26, filed Apr. 20, 2016, 1 page.

United States District Court Western District of Texas Austin Division, "Complaint," *YETI Coolers, LLC v. The Boelter Companies, Inc., Boelter Brands, LLC and Boelter Beverage, LLC*, Case: 1:16-cv-00456, Document #1, filed Apr. 8, 2016, 20 pages.

United States District Court Western District of Texas Austin Division, "Defendants' Answer to Complaint", *YETI Coolers, LLC*

(56)

References Cited

OTHER PUBLICATIONS

v. *The Boelter Companies, Inc., Boelter Brands, LLC and Boelter Beverage, LLC*, Case: 1:16-cv-00456-RP, Document #21, filed Jun. 7, 2016, 9 pages.

United States District Court Western District of Texas Austin Division, "Consent Judgment," *YETI Coolers, LLC v. The Boelter Companies, Inc., Boelter Brands, LLC and Boelter Beverage, LLC*, Case: 1:16-cv-00456-RP, Document #25, filed Sep. 13, 2016, 3 pages.

United States District Court Western District of Texas Austin Division, "Complaint," *YETI Coolers, LLC v. Jennifer Leverage Bootz Evans d/b/a Bling and Burlap Buy In's and Blanks*, Case: 1:15-cv-00995, Document #1, filed Nov. 2, 2015, 128 pages.

United States District Court Western District of Texas Austin Division, "Order," *YETI Coolers, LLC v. Jennifer Leverage Bootz Evans d/b/a Bling and Burlap Buy In's and Blanks*, Case: 1:15-cv-00995-RP, Document #18, filed Apr. 18, 2016, 1 page.

United States District Court Western District of Texas Austin Division, "Defendant Kaiser Group Inc.'s Answer, Affirmative Defenses, and Counterclaims to Plaintiff YETI Coolers, LLC's Complaint," *YETI Coolers, LLC v. Kaiser Group Inc., d/b/a Thermo Steel, d/b/a Vino2Go, d/b/a Brew2GO*, Case: 1:15-cv-00725-RP, Document #14, filed October 13, 2015, 65 pages.

United States District Court Western District of Texas Austin Division, "Complaint," *YETI Coolers, LLC v. Great American Products, Ltd.*, Case: 1:15-cv-00686, Document #1, filed Aug. 6, 2015, 20 pages.

United States District Court Western District of Texas Austin Division, "Order," *YETI Coolers, LLC v. Great American Products, Ltd.*, Case: 1:15-cv-00686-RP, Document #25, filed Mar. 14, 2016, 1 page.

United States District Court Western District of Texas Austin Division, "Complaint," *YETI Coolers, LLC v. Home Depot U.S.A., Inc., Takeya USA Corporation*, Case: 1:17-cv-00342, Document #1, filed Apr. 12, 2017, 24 pages.

United States District Court Western District of Texas Austin Division, "Complaint," *YETI Coolers, LLC v. Ideastage Promotions, LLC, d/b/a Swag Brokers*, Case: 1:15-cv-00774, Document #1, filed Sep. 2, 2015, 22 pages.

United States District Court Western District of Texas Austin Division, "Order," *YETI Coolers, LLC v. Ideastage Promotions, LLC, d/b/a Swag Brokers*, Case: 1:15-cv-00774-RP, Document #19, filed Dec. 21, 2015, 1 page.

United States District Court Western District of Texas Austin Division, "Complaint," *YETI Coolers, LLC v. Imagen Brands, LLC, d/b/a Crown Products, and Ebsco Industries, Inc.*, Case: 1:16-cv-00578-RP, Document #1, filed May 16, 2016, 20 pages.

United States District Court Western District of Texas Austin Division, "Complaint," *YETI Coolers, LLC v. Kaiser Group Inc., d/b/a Thermo Steel, d/b/a Vino2GO, d/b/a Brew2Go*, Case: 1:15-cv-00725, Document #1, filed Aug. 19, 2015, 21 pages.

United States District Court Western District of Texas Austin Division, "Complaint," *YETI Coolers, LLC v. Kuer Outdoors, LLC*, Case: 1:16-cv-00631, Document #1, filed May 27, 2016, 89 pages.

United States District Court Western District of Texas Austin Division, "Complaint," *YETI Coolers, LLC v. Magnum Solace LLC*, Case: 1:16-cv-00663-RP, Document #1, filed Jun. 7, 2016, 24 pages.

United States District Court Western District of Texas Austin Division, "Defendant's Rule 12(B)(6) Motion to Dismiss For Failure to State a Claim," *YETI Coolers, LLC v. Magnum Solace LLC*, Case: 1:16-cv-00663-RP, Document #10, filed Aug. 5, 2016, 30 pages.

United States District Court Western District of Texas Austin Division, "Defendant's Answer," *YETI Coolers, LLC v. Magnum Solace LLC*, Case: 1:16-cv-00663-RP, Document #34, filed Apr. 13, 2017, 7 pages.

United States District Court Western District of Texas Austin Division, "Defendant's Answer to Plaintiffs Complaint and Affirmative Defenses," *YETI Coolers, LLC v. MyCrew, LLC, MyCrew*

Drinkware, LLC and NNRiverLife, LLC, Case: 1:16-cv-01008-RP, Document #14, filed Nov. 29, 2016, 12 pages.

United States District Court Western District of Texas Austin Division, "Complaint," *YETI Coolers, LLC v. MyCrew, LLC, MyCrew Drinkware, LLC and NNRiverLife, LLC*, Case: 1:16-cv-01008, Document #1, filed Aug. 26, 2016, 29 pages.

United States District Court Western District of Texas Austin Division, "Plaintiff YETI Coolers, LLC's Original Complaint," *YETI Coolers, LLC v. Ontel Products Corporation and World Pack USA, LLC*, Case: 1:17-cv-00091-RP, Document #1, filed Feb. 8, 2017, 65 pages.

United States District Court Western District of Texas Austin Division, "RTIC Drinkware's First Amended Complaint for Declaratory Judgment," *RTIC Drinkware, LLC v. YETI Coolers, LLC*, Case: 1:16-cv-00907-RP, Document #52, filed Nov. 14, 2016, 124 pages.

United States District Court Western District of Texas Austin Division, "YETI Coolers, LLC's Answer to RTIC Drinkware's First Amended Complaint," *RTIC Drinkware, LLC v. YETI Coolers, LLC*, Case: 1:16-cv-00907-RP, Document #58, filed Dec. 1, 2016, 15 pages.

United States District Court Western District of Texas Austin Division, "YETI Coolers, LLC's Answer to RTIC Drinkware LLC's Complaint," *RTIC Drinkware, LLC v. YETI Coolers, LLC*, Case: 1:16-cv-00907-RP, Document #35, filed Aug. 3, 2016, 27 pages.

United States District Court for the Southern District of Texas Houston Division, "RTIC Drinkware's Original Complaint for Declaratory Judgment, Damages, and Injunctive Relief," *RTIC Drinkware, LLC v. YETI Coolers, LLC*, Case: 4:16-cv-01201, Document #1, filed May 2, 2016, 58 pages.

United States District Court Western District of Texas Austin Division, "Order," *RTIC Drinkware, LLC v. YETI Coolers, LLC*, Case: 1:16-cv-00907-RP, Document #47, filed Oct. 13, 2016, 3 pages.

United States District Court Western District of Texas Austin Division, "YETI Coolers, LLC's First Amended Complaint," *YETI Coolers, LLC v. RTIC Coolers, LLC, RTIC Drinkware, LLC, RTIC Web Services, LLC, Corporate Support & Fulfillment, LLC, John Jacobsen, and James Jacobsen*, Case: 1:16-cv-00264-RP, Document #15, filed May 16, 2016, 110 pages.

United States District Court Western District of Texas Austin Division, "Defendant RTIC Drinkware, LLC, RTIC Web Services, LLC, Corporate Support & Fulfillment, LLC, John Jacobsen, and James Jacobsen's Answer and counterclaims to YETI's First Amended Complaint for Damages and Injunctive Relief," *YETI Coolers, LLC v. RTIC Coolers, LLC, RTIC Drinkware, LLC, RTIC Web Services, LLC, Corporate Support & Fulfillment, LLC; John Jacobsen; and James Jacobsen*, Case: 1:16-cv-00264-RP, Document #25, filed Jun. 13, 2016, 42 pages.

United States District Court Western District of Texas Austin Division, "Complaint," *YETI Coolers, LLC v. RTIC Coolers, LLC*, Case: 1:16-cv-00264, Document #1, filed Mar. 2, 2016, 34 pages.

United States District Court Western District of Texas Austin Division, "YETI Coolers, LLC's Answer to RTIC Drinkware, LLC's, RTIC Web Services, LLC's, Corporate Support & Fulfillment, LLC's, John Jacobsen's, and James Jacobsen's Counterclaims," *YETI Coolers, LLC v. RTIC Coolers, LLC, RTIC Drinkware, LLC, RTIC Web Services, LLC, Corporate Support & Fulfillment, LLC, John Jacobsen, and James Jacobsen*, Case: 1:16-cv-00264-RP, Document #31, filed Jul. 7, 2016, 7 pages.

United States District Court Western District of Texas Austin Division, "First Amended Complaint," *YETI Coolers, LLC v. Sam's West, Inc., and Sam's East, Inc.*, Case: 1:16-cv-00829-RP, Document #32, filed Jan. 9, 2017, 24 pages.

United States District Court Western District of Texas Austin Division, "Defendants Sam's West, Inc. and Sam's East, Inc.'s Answer to Complaint," *YETI Coolers, LLC v. Sam's West, Inc., and Sam's East, Inc.*, Case: 1:16-cv-00829-RP, Document #16, filed Aug. 26, 2016, 11 pages.

United States District Court Western District of Texas Austin Division, "Complaint," *YETI Coolers, LLC v. Sam's West, Inc., and Sam's East, Inc.*, Case: 1:16-cv-00829, Document #1, Jun. 30, 2016, 21 pages.

(56)

References Cited

OTHER PUBLICATIONS

United States District Court Western District of Texas Austin Division, “First Amended Complaint,” *YETI Coolers, LLC v. Sic Products LLC, d/b/a Sic Cups, d/b/a Sic*, Case: 1:16-cv-00117-RP, Document #34, Nov. 21, 2016, 25 pages.

United States District Court Western District of Texas Austin Division, “Sic Products, LLC’s Answer, Affirmative Defenses, and Counterclaims to Plaintiffs Amended Complaint,” *YETI Coolers, LLC v. Sic Products LLC, d/b/a Sic cups, d/b/a Sic*, Case: 1:16-cv-00117-RP, Document #35, Dec. 5, 2016, 81 pages.

United States District Court Western District of Texas Austin Division, “Sic Products, LLC’s Answer, Affirmative Defenses, and Counterclaims to Plaintiffs Complaint,” *YETI Coolers, LLC v. Sic Products LLC, d/b/a Sic Cups, d/b/a Sic*, Case: 1:16-cv-00117-RP, Document #14, Jun. 3, 2016, 38 pages.

United States District Court Western District of Texas Austin Division, “Complaint,” *YETI Coolers, LLC v. Sic Products LLC, d/b/a Sic Cups, d/b/a Sic*, Case: 1:16-cv-00117-RP, Document #1, Feb. 4, 2016, 23 pages.

United States District Court Western District of Texas Austin Division, “Yeti Coolers, LLC’s Answer to Sic Products, LLC Counterclaims,” *YETI Coolers, LLC v. Sic Products LLC, d/b/a Sic Cups, d/b/a Sic*, Case: 1:16-cv-00117-RP, Document #21, Sep. 29, 2016, 15 pages.

United States District Court Western District of Texas Austin Division, “YETI Coolers, LLC’s Answer to Sic Products, LLC Counterclaims to YETI Coolers, LLC’s Amended Complaint,” *YETI Coolers, LLC v. Sic Products LLC, d/b/a Sic cups, d/b/a Sic*, Case: 1:16-cv-00117-RP, Document #38, Dec. 19, 2016, 20 pages.

United States District Court Western District of Texas Austin Division, “Complaint,” *YETI Coolers, LLC v. The Allen company, d/b/a Allen Color Craft*, Case: 1:15-cv-00888-RP, Document #1, Oct. 6, 2015, 24 pages.

United States District Court Western District of Texas Austin Division, “Complaint,” *YETI Coolers, LLC v. Titan Custom Products, Inc.*, Case: 1:15-cv-00775, Document #1, Sep. 2, 2015, 22 pages.

United States District Court Western District of Texas Austin Division, “Answer,” *YETI Coolers, LLC v. Tree Leaf Marketing, LLC d/b/a Big Frig*, Case: 1:16-cv-00699-RP, Document #11, Oct. 21, 2016, 8 pages.

United States District Court Western District of Texas Austin Division, “Complaint,” *Yeti Coolers, LLC v. Tree Leaf Marketing, LLC d/b/a Big Frig*, Case: 1:16-cv-00699, Document #1, Jun. 17, 2016, 33 pages.

United States District Court Western District of Texas Austin Division, “Complaint,” *YETI Coolers, LLC v. US Imprints, LLC, d/b/a GOimprints*, Case: 1:15-cv-00773, Document #1, Sep. 2, 2015, 22 pages.

United States District Court Western District of Texas Austin Division, “Order,” *Yeti Coolers, LLC v. US Imprints, LLC, d/b/a GOimprints*, Case: 1:15-cv-00773-RP, Document #23, Apr. 25, 2016, 1 page.

United States District Court Western District of Texas Austin Division, “Veterinary Internet Company, LLC d/b/a VetInternetCo’s Answer to Plaintiffs Complaint,” *YETI Coolers, LLC v. Polar Pad LLC, d/b/a Polar Drifter, d/b/a Polar Pad, and Veterinary Internet Company, LLC, d/b/a VetInternetCo*, Case: 1:16-cv-00677-RP, Document #11, Aug. 19, 2016, 12 pages.

United States District Court Western District of Texas Austin Division, “Complaint,” *Yeti Coolers, LLC v. Polar Pad LLC, d/b/a Polar Pad Drifter, d/b/a Polar Pad, and Veterinary Internet Company, LLC, d/b/a VetInternetCo*, Case: 1:16-cv-00128, Document #1, Feb. 12, 2016, 24 pages.

United States District Court Western District of Texas Austin Division, “Complaint,” *YETI Coolers, LLC v. Polar Pad LLC, d/b/a Polar Pad Drifter, d/b/a Polar Pad, and Veterinary Internet Company, LLC, d/b/a VetInternetCo*, Case: 1:16-cv-00677, Document #1, Jun. 10, 2016, 25 pages.

United States District Court Western District of Texas Austin Division, “Order,” *YETI Coolers, LLC v. Polar Pad LLC, d/b/a Polar Pad Drifter, d/b/a Polar Pad, and Veterinary Internet Company, LLC, d/b/a VetInternetCo*, Case: 1:16-cv-00128-RP, Document #17, Jun. 17, 2016, 1 page.

United States District Court Western District of Texas Austin Division, “[Proposed] Order Granting Stipulated Motion to Dismiss Defendant Polar Pad, LLC, Without Prejudice, Pursuant to Fed. R. Civ. P. 21,” *Yeti Coolers, LLC v. Polar Pad LLC, d/b/a Polar Pad Drifter, d/b/a Polar Pad, and Veterinary Internet Company, LLC, d/b/a VetInternetCo*, Case: 1:16-cv-00677-RP, Document #14, Sep. 15, 2016, 1 page.

United States District Court Western District of Texas Austin Division, “Complaint,” *Yeti Coolers, LLC v. Vickery Products, LLC d/b/a Axis Cups, f/d/b/a Frio Cups*, Case: 1:17-cv-00260, Document #1, Mar. 24, 2017, 52 pages.

United States District Court Western District of Texas Austin Division, “First Amended Complaint,” *YETI Coolers, LLC v. Wal-Mart Stores, Inc. and Olympia Tools International, Inc.*, Case: 1:16-cv-00454-RP, Document #17, May 24, 2016, 26 pages.

United States District Court Western District of Texas Austin Division, “Complaint,” *YETI Coolers, LLC v. Wal-Mart Stores, Inc.*, Case: 1:16-cv-00454, Document #1, Apr. 8, 2016, 29 pages.

United States District Court Western District of Texas Austin Division, “Olympia Tools International, Inc.’s Answer to YETI Coolers, LLC’s First Amended Complaint,” *YETI Coolers, LLC v. Wal-Mart Stores, Inc. and Olympia Tools International, Inc.*, Case: 1:16-cv-00454-RP, Document #28, Jul. 14, 2016, 12 pages.

United States District Court Western District of Texas Austin Division, “Wal-Mart Stores, Inc.’s Answer to First Amended Complaint,” *YETI Coolers, LLC v. Wal-Mart Stores, Inc. and Olympia Tools International, Inc.*, Case: 1:16-cv-00454-RP, Document #22, Jun. 7, 2016, 13 pages.

United States District Court Western District of Texas Austin Division, “Complaint” *YETI Coolers, LLC v. Zhejiang Zhuosheng Industry & Trade Co, Ltd., d/b/a Wuyi Zhuosheng Household Metal Products Co., Ltd., d/b/a Yongkang Zhuosheng Metal Products Co., Ltd., d/b/a Zhejiang Zhuosheng Industry & Trade Co, Ltd.*, Case 1:17-cv-00821, Document 1, filed Aug. 23, 2017, 27 pages.

Apr. 4, 2017—(PCT) Written Opinion and International Search Report App PCT/US2016/059514.

Pictures of Great American Products Tumbler, published date unknown, but prior to the filing date of the present application.

Photographic image of YETI 30oz Rambler Tumbler, published date unknown, but prior to the filing date of the present application.

Second photographic image of YETI 30oz Rambler Tumbler, published date unknown, but prior to the filing date of the present application.

Promotional Items, Inc., “Stainless Steel 14oz. Deluxe Coffee Insulated Tumbler Lid”, retrieved from <http://www.promotional-items-inc.com/catalog/stainless_steel_18oz_commuter_coffee_mug_lid.html> on Aug. 27, 2015.

The Product Farm, “BeerNStein Rocks Tumbler Lid—Blue”, retrieved from <<http://store.theproductfarm.com/beerstein-rocks-tumbler-lid-blue/>> on Aug. 27, 2015.

Hit Promotional Products, “24 Oz. Biggie Tumbler with Lid”, retrieved from <<http://www.hitpromo.net/product/show/5853/24-oz-biggie-tumbler-with-lid>> on Aug. 27, 2015.

The Alexon Group, “16 Oz. Stainless Steel Travel Mug with Slide Action Lid and Plastic Inner Liner”, retrieved from <<https://alexongroup.com/16-oz-stainless-steel-travel-mug-with-slide-action-lid-and-plastic-inner-liner>> on Aug. 27, 2015.

“New 16oz Insulated Coffee Travel Mug Stainless Steel Double Wall Thermos Tumbler”, retrieved from <<http://www.ebay.com/itm/New-16oz-Insulated-COFFEE-TRAVEL-MUG-Stainless-Steel-Double-Wall-Thermos-Tumbler-/171416296921>> on Aug. 27, 2015.

“Stainless Steel Travel Mug with Slide Action Lid and Plastic Inner Liner—16oz.”, retrieved from <<http://waterbottles.com/stainless-steel-travel-mug-with-slide-action-lid-and-plastic-inner-liner-16-oz/>> on Aug. 27, 2015.

(56)

References Cited

OTHER PUBLICATIONS

Vat19, “16 oz. Dual Auto/USB Heated Mug”, retrieved from <<https://www.vat19.com/item/16-oz-dual-auto-usb-heater-coffee-mug>> on Aug. 27, 2015.

Timolino, “Signature Thermal Travel Mug Slide—Tab Lid”, retrieved from <<http://timolino.com/products/signature-thermal-travel-mug-slide-tab-lid>> on Aug. 27, 2015.

Eshine Industrial & Maoyuan International, “400ml Double Wall Stainless Steel Travel Mug with Sliding Drink Lid”, retrieved from <<http://www.chinawaterbottle.com/product/400ml-double-wall-stainless-steel-travel-mug-with-sliding-drink-lid-77-520.html>> on Aug. 27, 2015.

Photo USA Electronic Graphic Inc., “17fl oz Personalised Travel Mug (Plastic Insert and Metal Shell, Reverse Screw)”, retrieved from <<http://www.meikeda.com/stainless-steel-mug/item/15-oz-personalised-travel-mug.html>> on Aug. 27, 2015.

Promo Industrial Co., Limited, “16 Oz. Blue Bullet Travel Mug W/ Handle”, retrieved from <http://www.oempromo.com/Bottle-cup-and-mug/Mugs/index_73.htm> on Aug. 27, 2015.

Gold Bond Inc., “16CT—16 oz Cafe Tumbler”, retrieved from <<http://www.goldbondinc.com/16ct>> on Aug. 27, 2015.

“Tervis Lids”, retrieved from <http://www.tervis.com/designs/Accessories/Travel-lids/>

d1c0fe00377e0ec722da5bd146541427c#!upc=093597437694
&upc=093597240386 on Sep. 10, 2015.

Aladdin, “Recycled & Recyclable Travel Mug—Grey Replacement Lid”, retrieved from <http://www.shopaladdin-pmi.com/product/recycled-recyclable-travel-mug-grey-replacement-lid> on Sep. 10, 2015.

Zak! Designs, “Grip 16 oz Travel Coffee Mug—Sapphire”, retrieved from http://www.zak.com/planet_zak_blue_stainless_steel_water_bottle_0187-5720 on Sep. 10, 2015.

Promotional Items, Inc., “Stainless Steel 14 oz. Tool Box Travel Mug Lid”, retrieved from http://www.promotional-items-inc.com/catalog/stainless_steel_14oz_tool_box_travel_mug_lid.html on Sep. 10, 2015.

“Starbucks® Stainless Steel Logo Tumbler, 16 fl oz”, retrieved from <<http://store.starbucks.com/starbucks-stainless-steel-logo-tumbler-16-fl-oz-011023529.html>> on Nov. 3, 2015.

“Corkcicle Tumbler”, retrieved from <<http://corkcicle.com/pages/tumbler>> on Nov. 3, 2015.

“Tervis Travel Lids”, Tervis.com, captured Nov. 20, 2015, pp. 1.

“Stainless Steel Tumbler”, Starbucks.com, captured Nov. 20, 2015, pp. 1.

“Tumbler”, Corkcicle.com, captured Nov. 20, 2015, pp. 1-2.

“Yeti Rambler 20 and 30 oz”, published on Apr. 19, 2014, retrieved from <https://web.archive.org/web/20140419041951/http://yeticoolers.com/rambler-tumblers/> on Sep. 2, 2015.

Photographic image of Yeti 20oz Rambler Tumbler, published date unknown, but prior to the filing date of the present application.

Apr. 4, 2017—(PCT) International Search Report and Written Opinion—App PCT/US2016/059514.

* cited by examiner

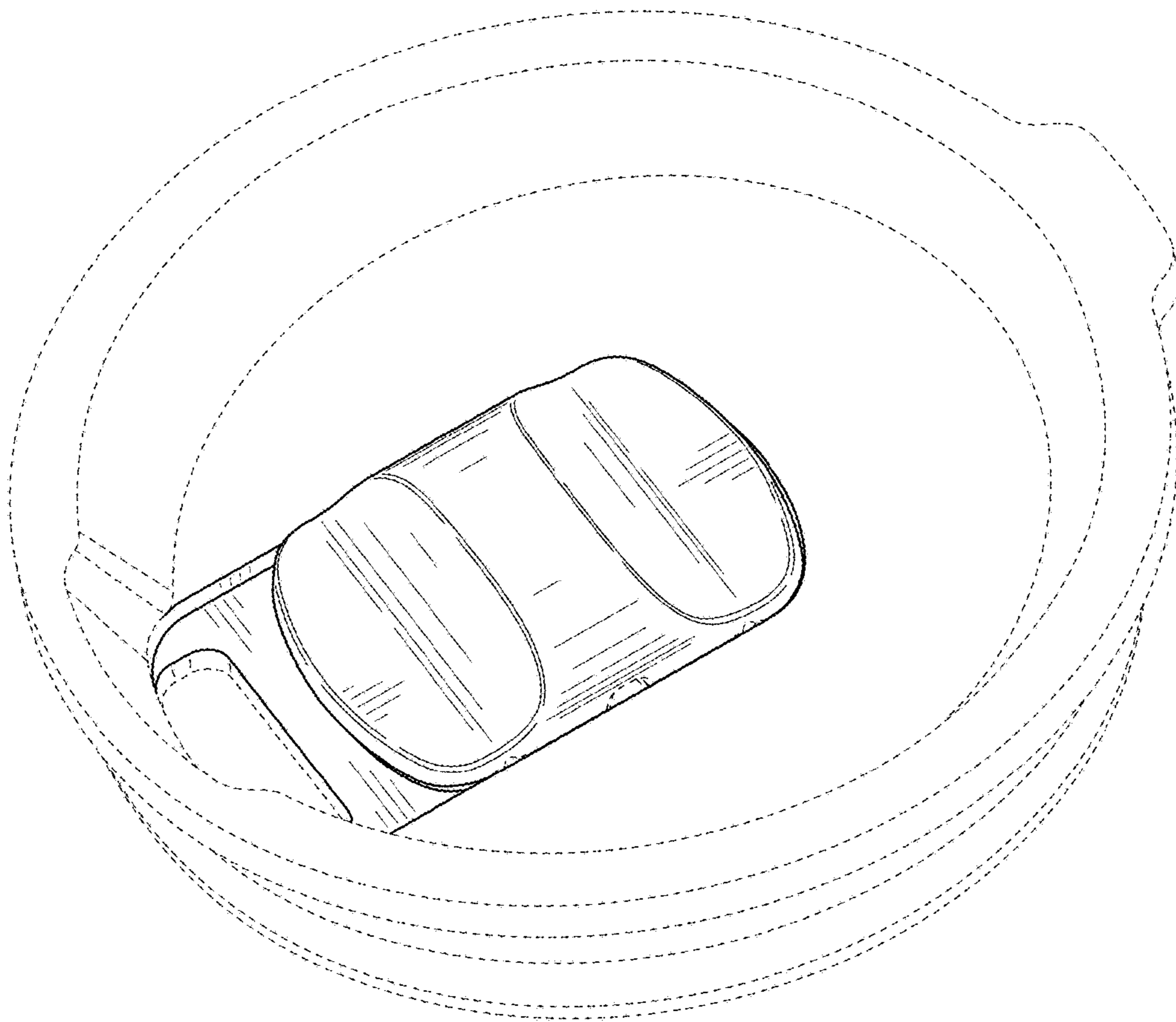


FIG. 1

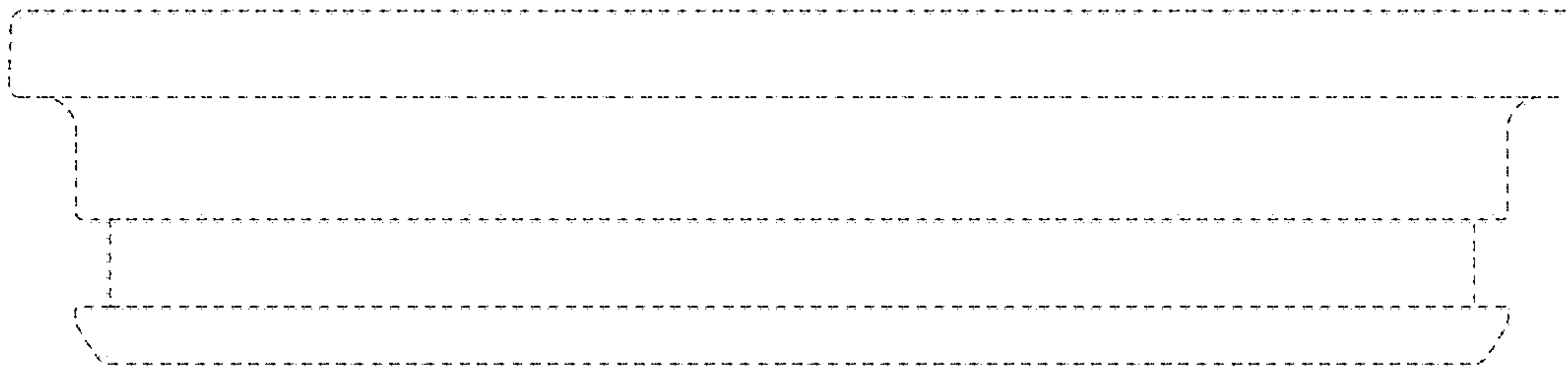


FIG. 2

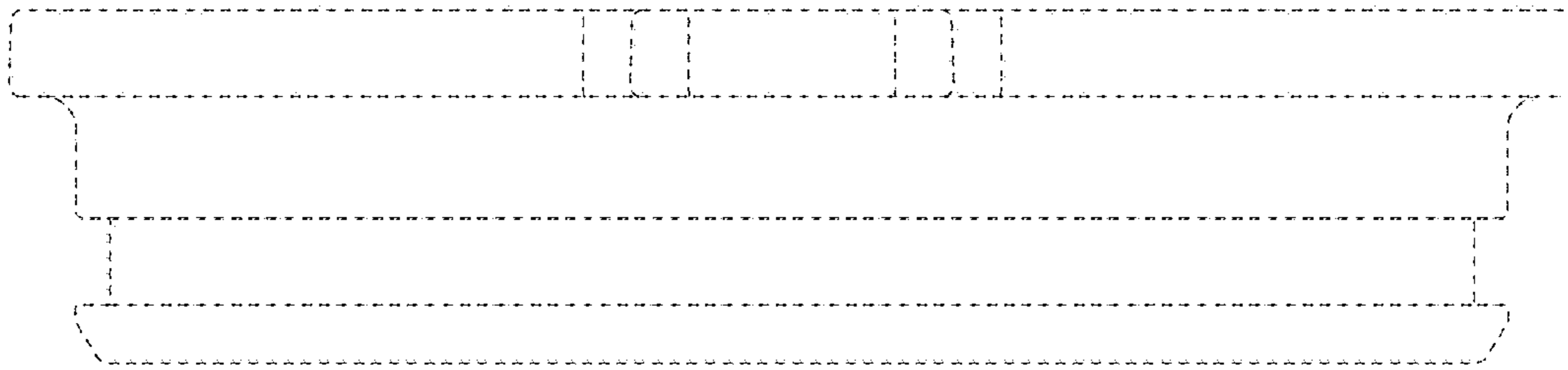


FIG. 3

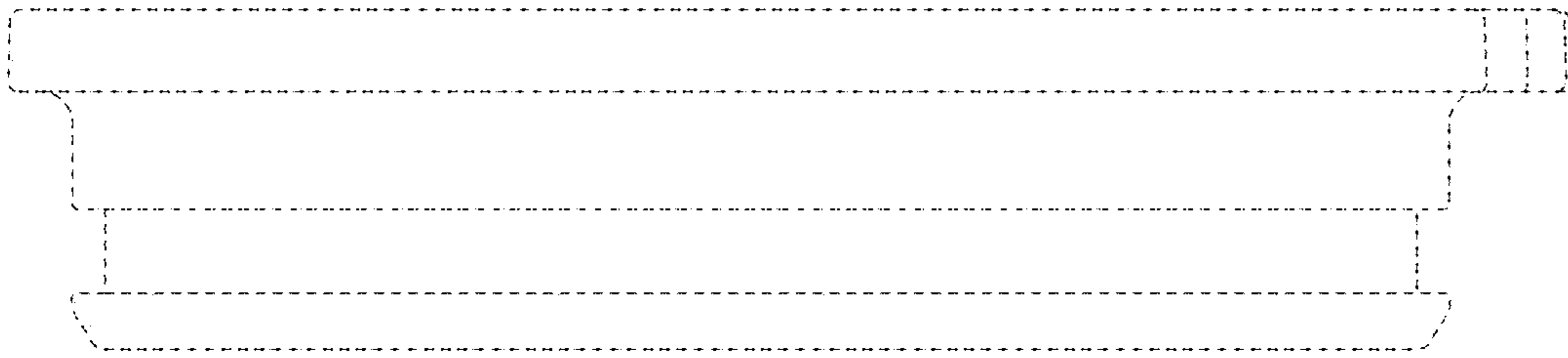


FIG. 4

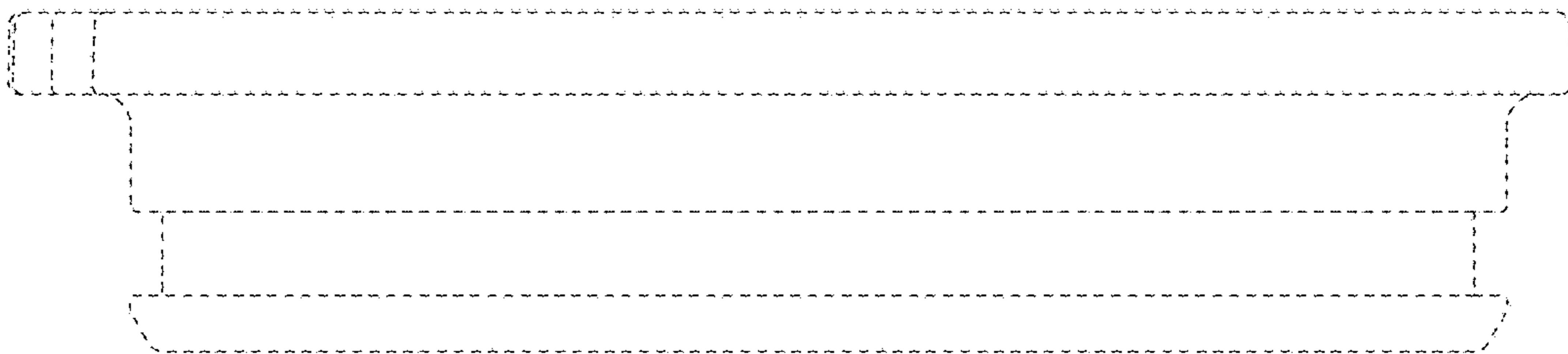


FIG. 5

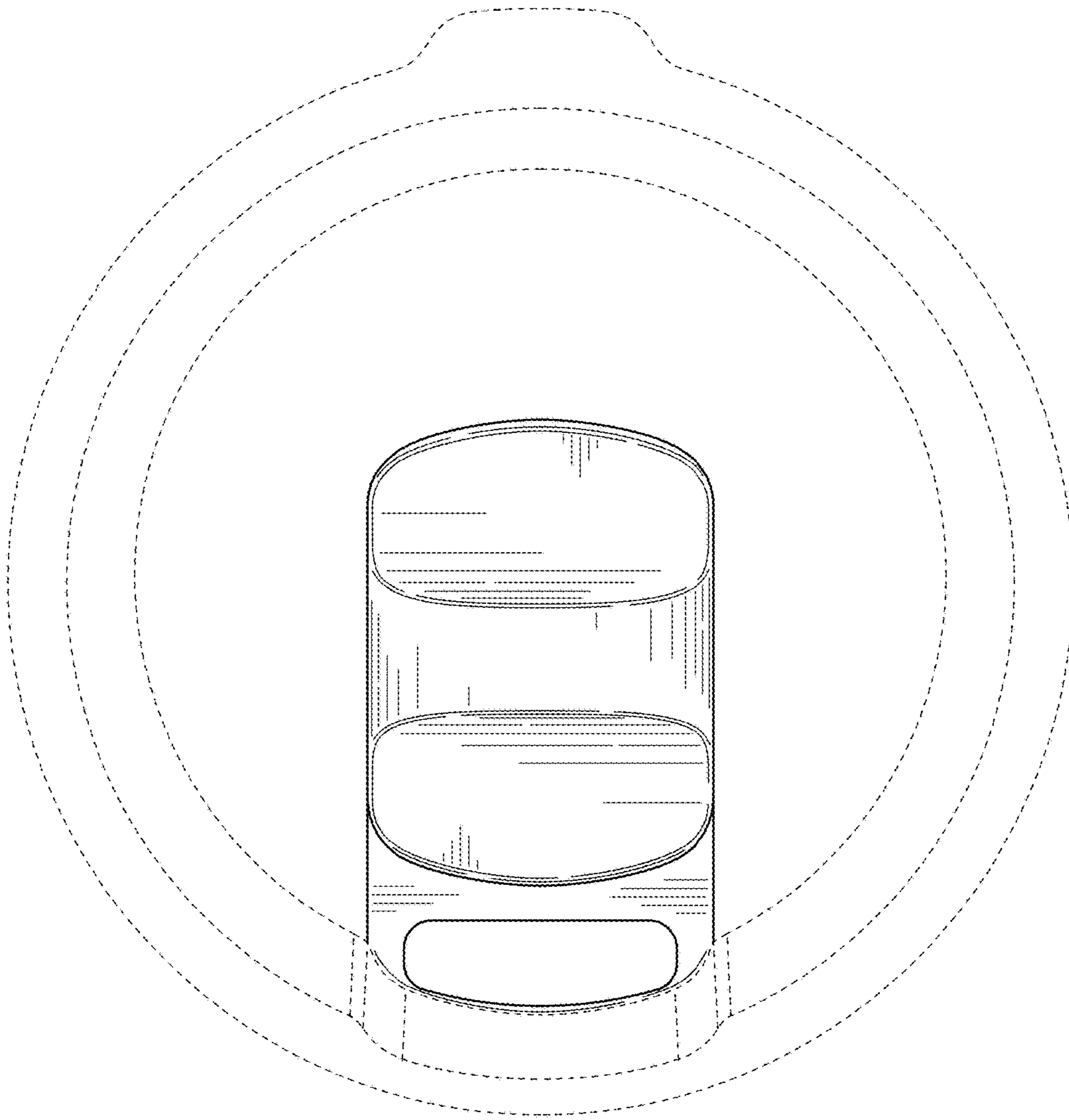


FIG. 6

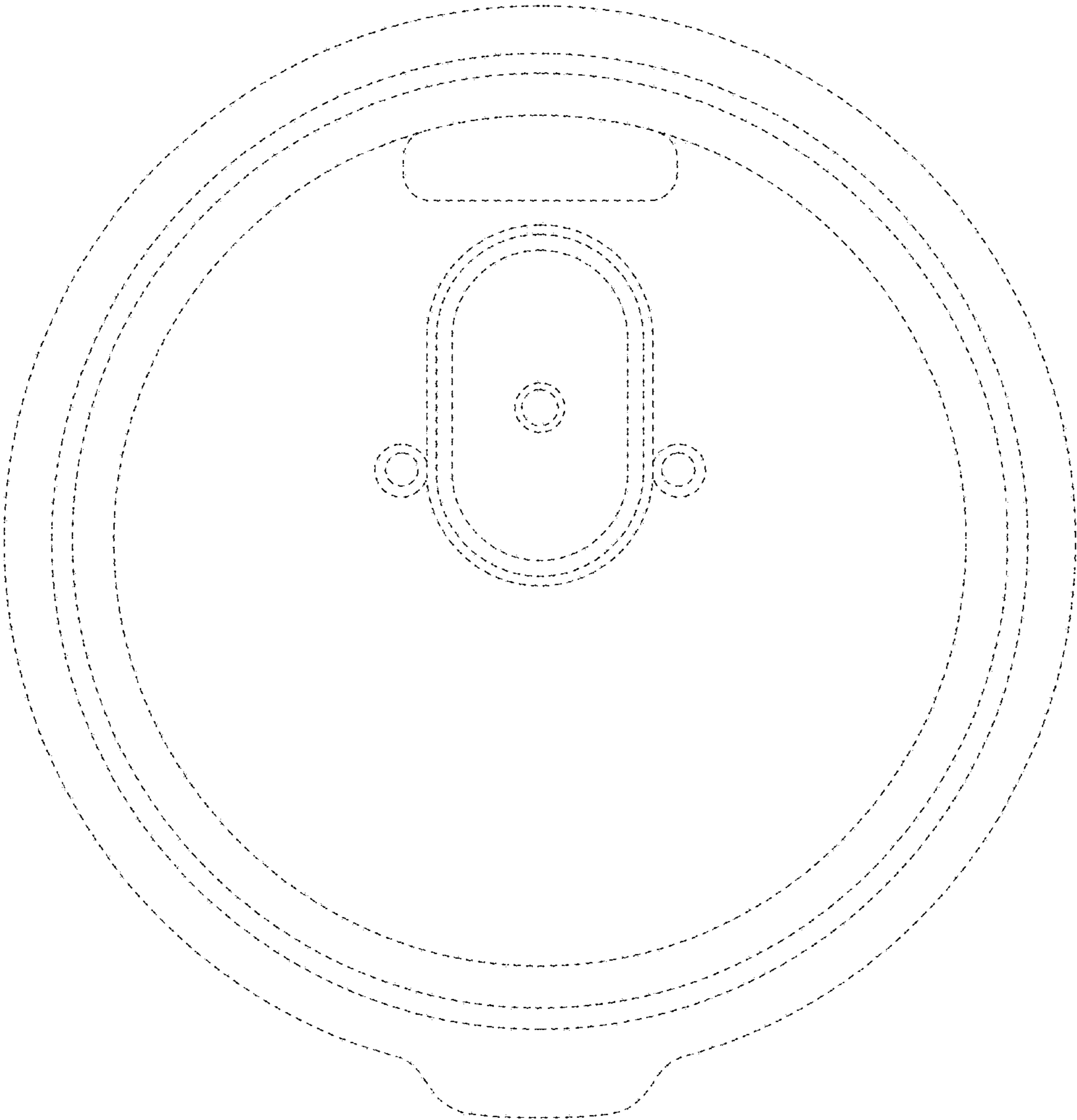


FIG. 7

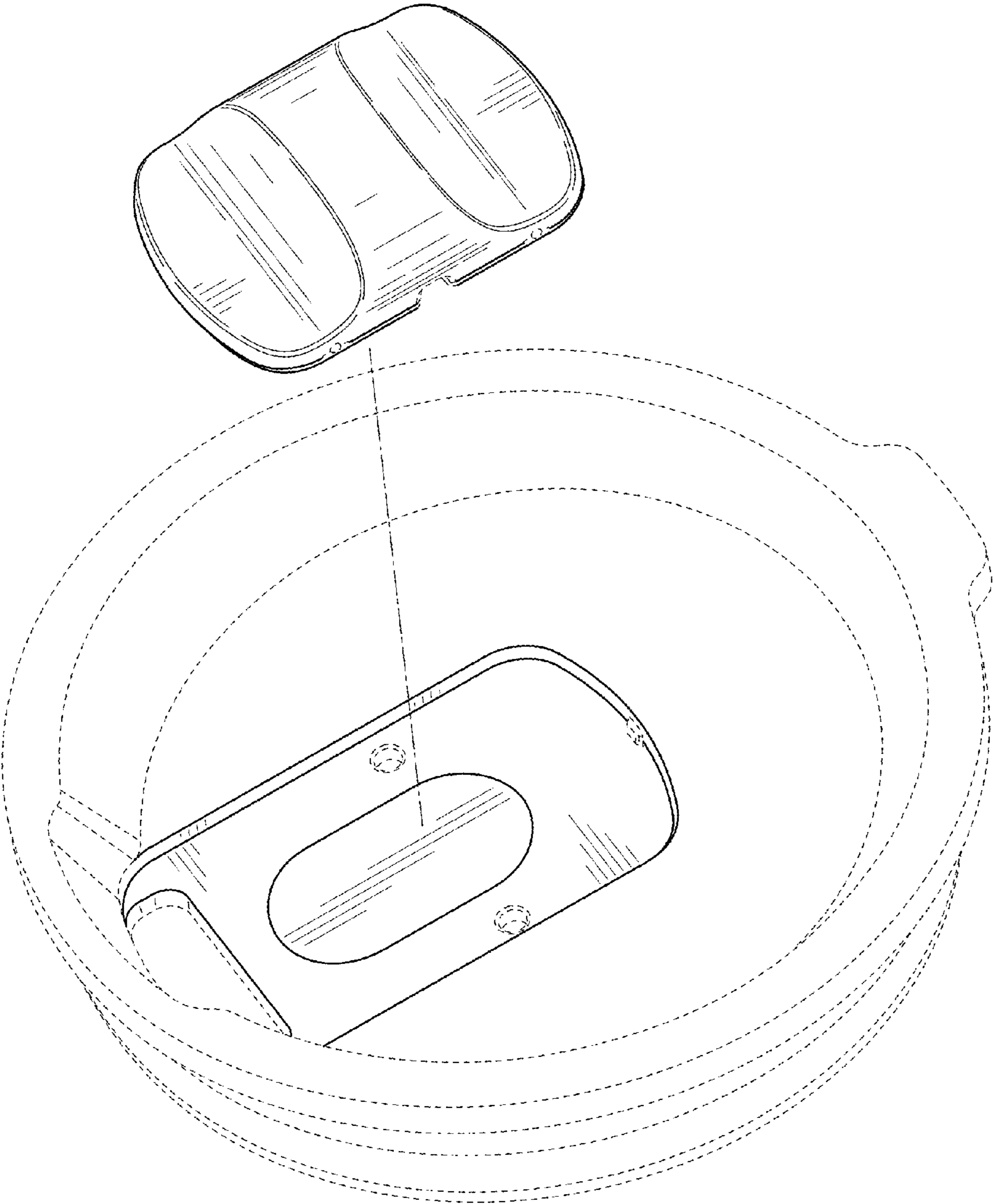


FIG. 8