



US00D815890S

(12) **United States Design Patent**
Boroski

(10) **Patent No.:** **US D815,890 S**

(45) **Date of Patent:** **** Apr. 24, 2018**

(54) **LID FOR A BEVERAGE CONTAINER**

(71) Applicant: **THERMOS L.L.C.**, Schaumburg, IL
(US)

(72) Inventor: **Dwayne Boroski**, Lake in the Hills, IL
(US)

(73) Assignee: **THERMOS L.L.C.**, Schaumburg, IL
(US)

(**) Term: **15 Years**

(21) Appl. No.: **29/587,505**

(22) Filed: **Dec. 13, 2016**

(51) **LOC (11) Cl.** **07-99**

(52) **U.S. Cl.**
USPC **D7/392.1; D7/396.2; D7/300.2; D9/436**

(58) **Field of Classification Search**
USPC D7/507, 509, 510, 511, 523, 527, 529,
D7/531, 532, 533, 534, 535, 536, 608,
D7/300, 300.1, 300.2, 387, 391, 392.1,
D7/396.2; D34/39; D9/503, 907, 531,
D9/435, 436, 454, 449, 443; 220/592.16,
220/592.17, 495.03, 705-710
CPC A47G 19/22; A47G 19/2205; A47G
19/2222; A45F 3/16; A45F 3/20; B67D
7/06; B67D 1/0004; B65D 25/14
See application file for complete search history.

(56) **References Cited**

U.S. PATENT DOCUMENTS

- 4,130,215 A * 12/1978 Corey A47G 19/2205
220/719
- D339,958 S * 10/1993 Olsen D7/392.1
- D359,905 S * 7/1995 Molo D9/447
- D412,538 S * 8/1999 Reidinger D21/390
- D415,027 S * 10/1999 Blazar D9/440
- D445,687 S * 7/2001 Gilbertson D7/392.1
- D565,902 S * 4/2008 Bodum D7/500

- D570,213 S * 6/2008 Newman D9/447
- D573,017 S * 7/2008 Henderson D9/436
- D578,392 S * 10/2008 Khalil D9/454
- D588,002 S * 3/2009 D'Amato D9/447
- D592,505 S * 5/2009 Mobley D7/300.2
- D610,006 S * 2/2010 Ortell D9/454
- D612,236 S * 3/2010 Sturk D9/443
- D617,190 S * 6/2010 Holmes D9/449
- D620,797 S * 8/2010 Waaland D9/439
- D652,681 S * 1/2012 Monugian D7/510

(Continued)

Primary Examiner — Marianne Pandozzi

Assistant Examiner — Jae Liang

(74) *Attorney, Agent, or Firm* — Polsinelli PC

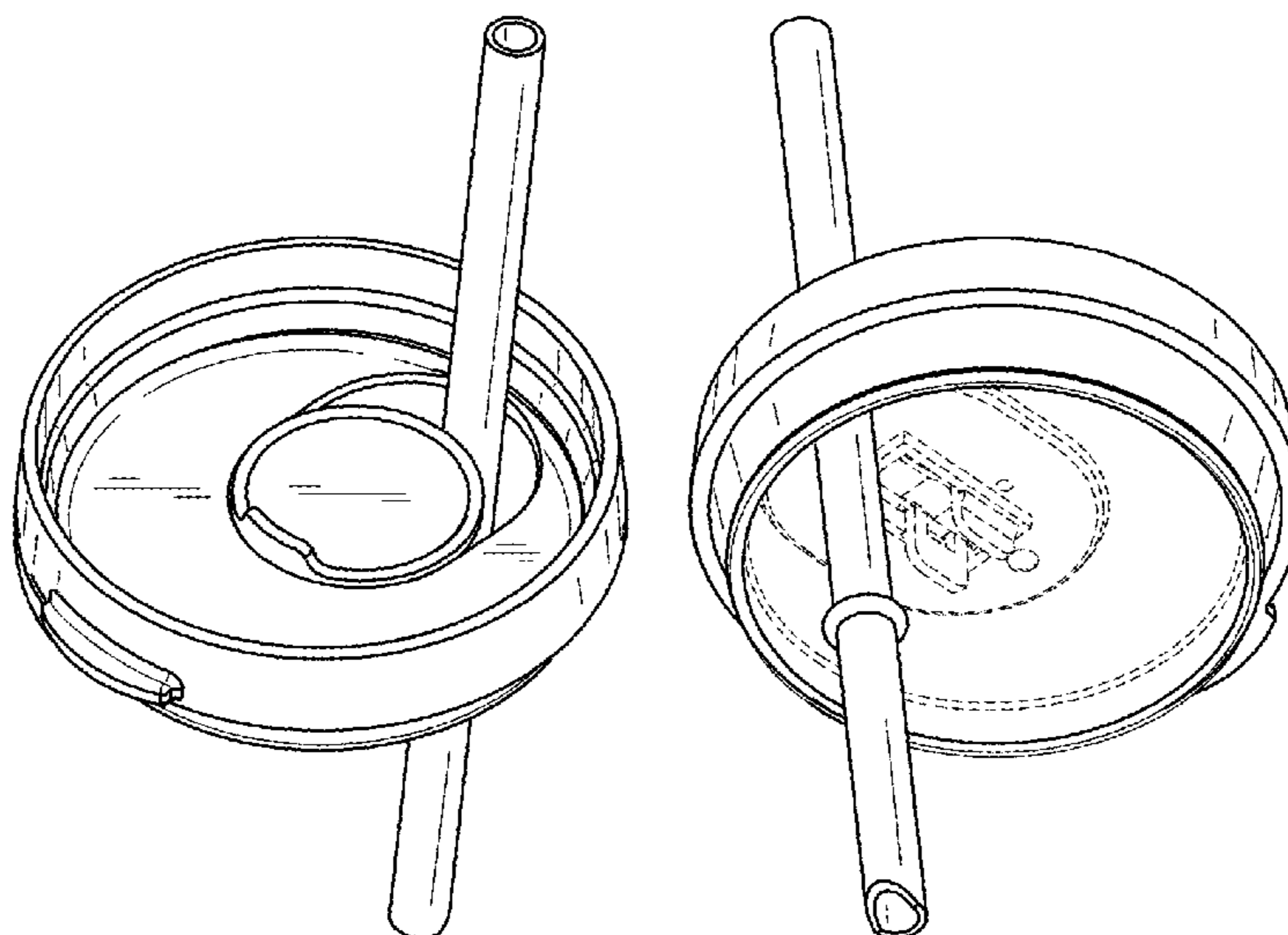
(57) **CLAIM**

The ornamental design for a lid for a beverage container, as shown and described.

DESCRIPTION

FIG. 1 is a top perspective view of a first embodiment of a lid for a beverage container claiming my new design;
 FIG. 2 is a bottom perspective view thereof;
 FIG. 3 is a front view thereof;
 FIG. 4 is a rear view thereof;
 FIG. 5 is a left side view thereof;
 FIG. 6 is a right side view thereof;
 FIG. 7 is a top view thereof;
 FIG. 8 is a bottom view thereof;
 FIG. 9 is a top perspective view of a second embodiment of a lid for a beverage container;
 FIG. 10 is a front view thereof;
 FIG. 11 is a rear view thereof;
 FIG. 12 is a left side view thereof;
 FIG. 13 is a right side view thereof;
 FIG. 14 is a top view thereof; and,
 FIG. 15 is a bottom view thereof.
 The broken lines in the drawing depict portions of the lid for a beverage container that form no part of the claimed design.

1 Claim, 8 Drawing Sheets



(56)

References Cited

U.S. PATENT DOCUMENTS

D675,058 S * 1/2013 Lee D7/392.1
D727,729 S * 4/2015 Shi D9/447
D731,240 S * 6/2015 Bell D7/300.2
D742,743 S * 11/2015 Thurin D9/443
D744,286 S * 12/2015 Morris, II D7/523
D751,345 S * 3/2016 Lane D7/510
D779,884 S * 2/2017 Karussi D7/523
D783,358 S * 4/2017 Schlegel D7/510
D784,081 S * 4/2017 Szymanski D7/507
D788,530 S * 6/2017 Kestenbaum D7/509
D790,272 S * 6/2017 Han D7/396.2
2009/0056556 A1 * 3/2009 Lin A47G 19/2272
99/289 R
2013/0270264 A1 * 10/2013 Suljak A45C 11/20
220/4.03

* cited by examiner

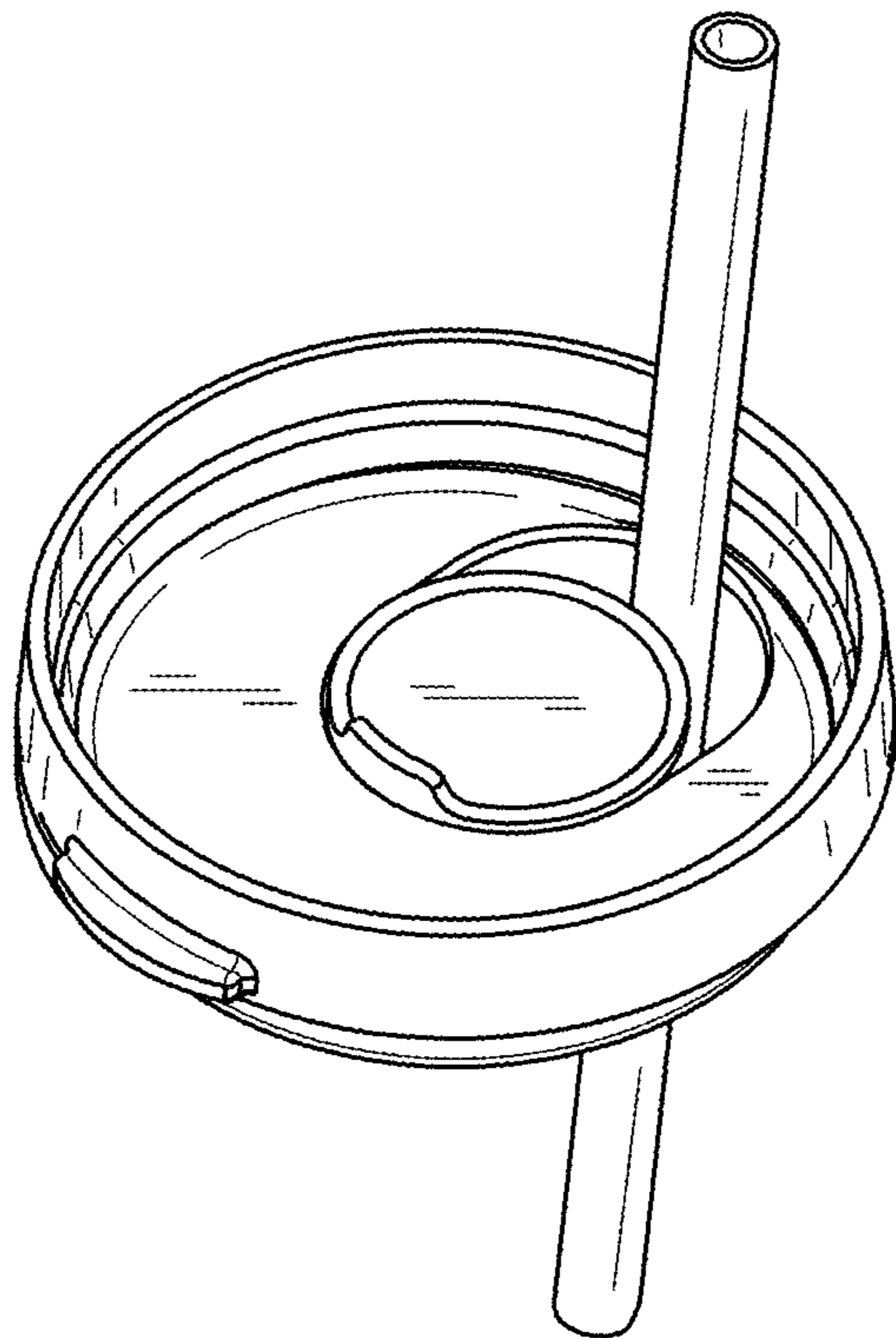


FIG. 1

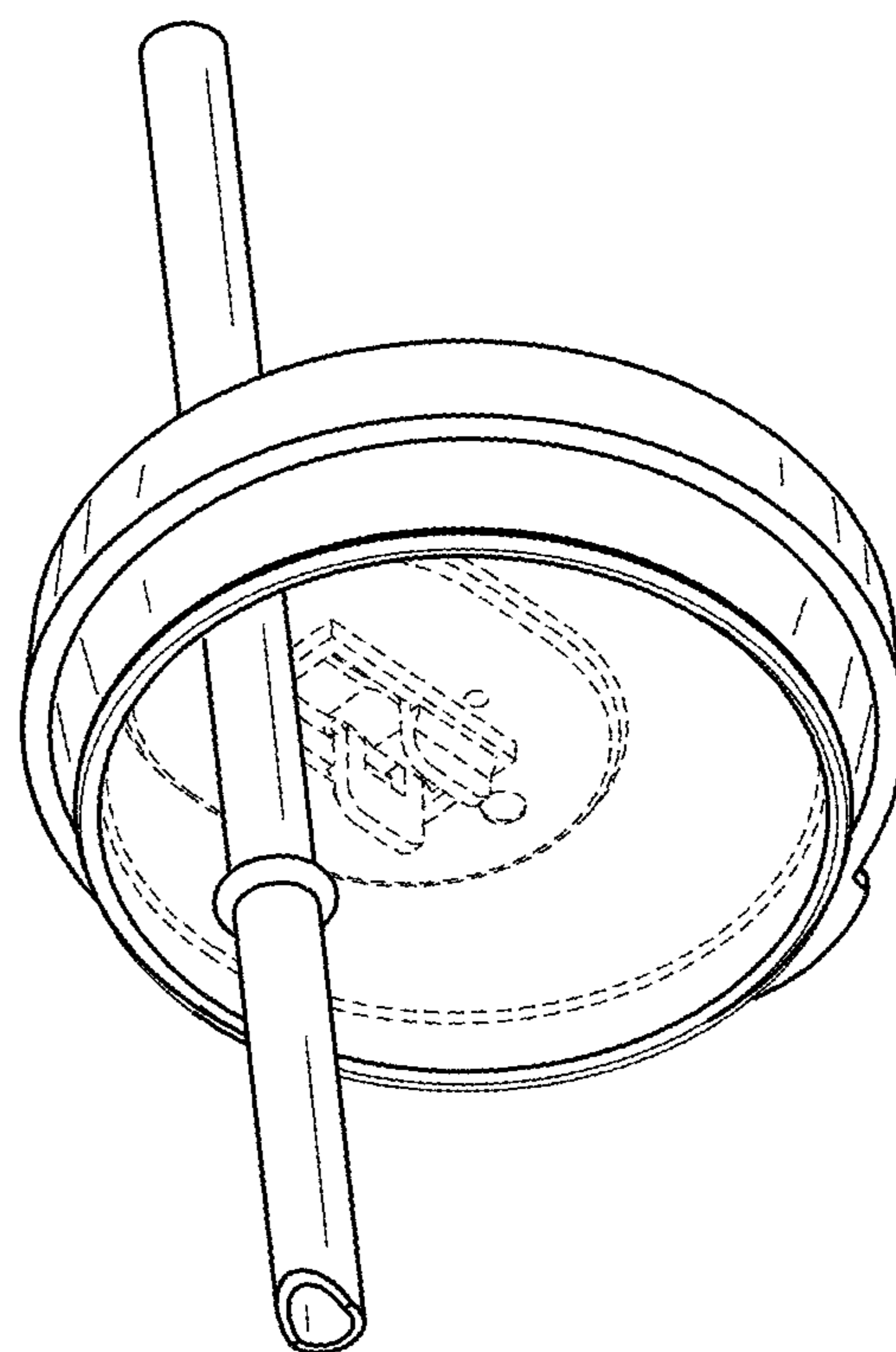


FIG. 2

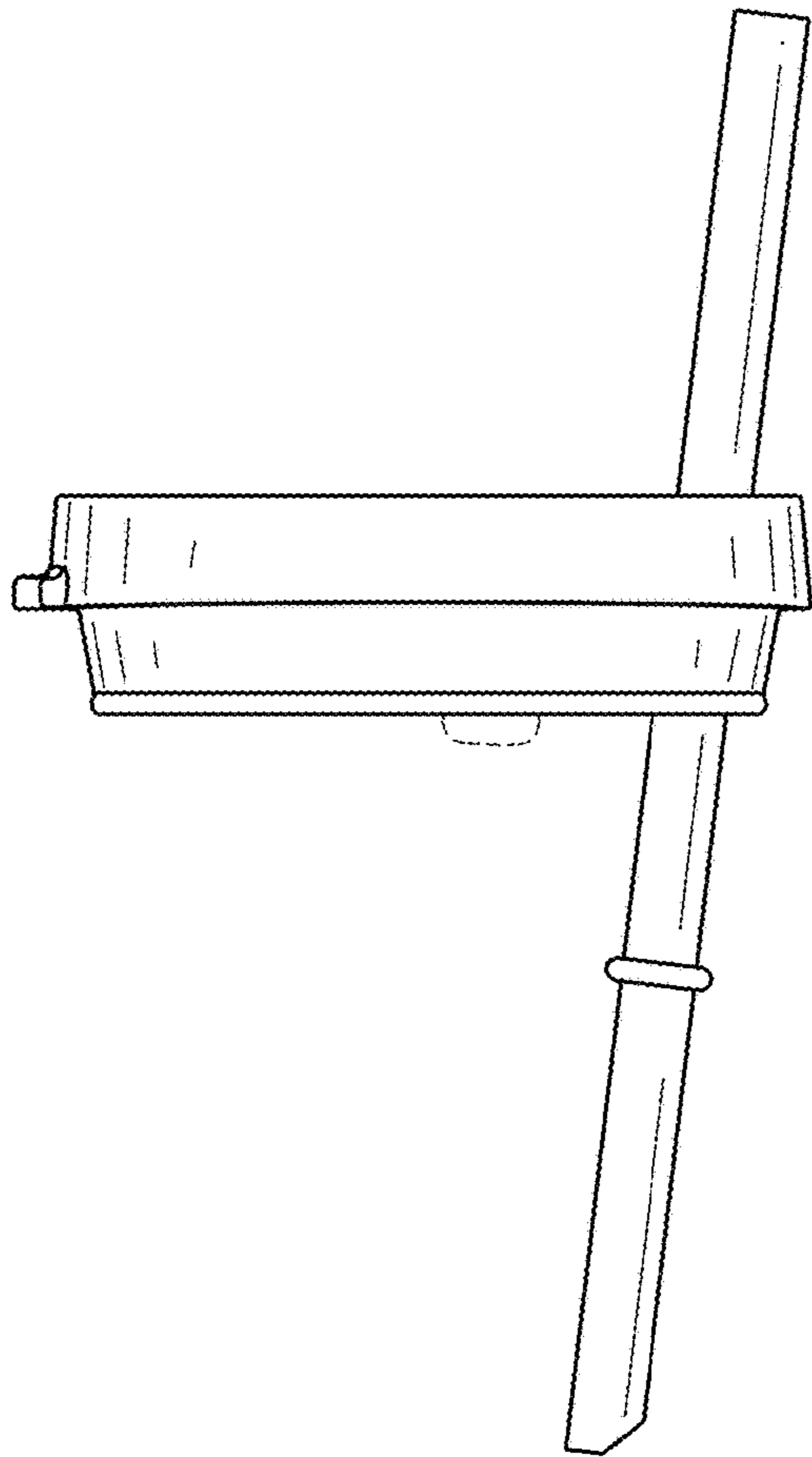


FIG. 3

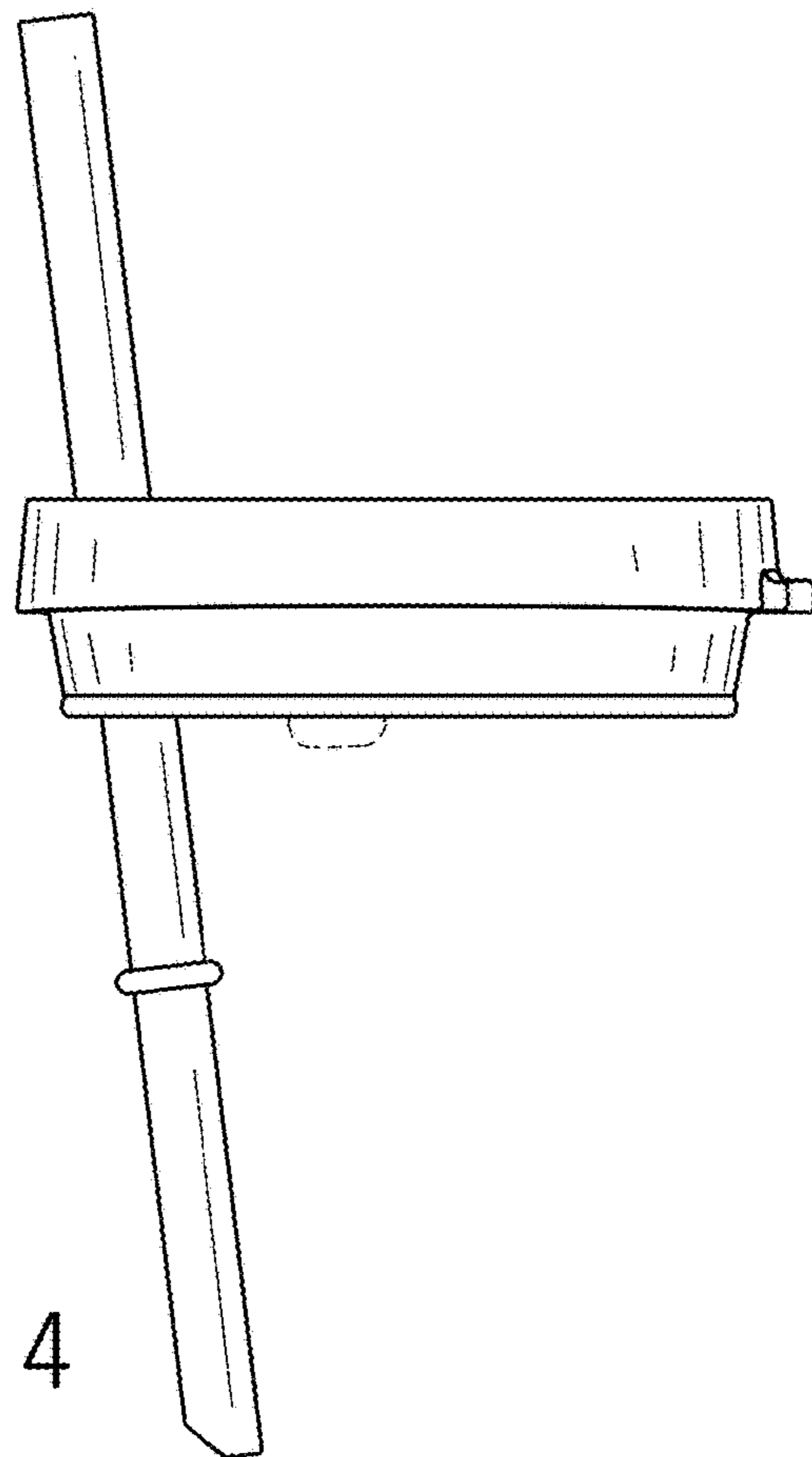


FIG. 4

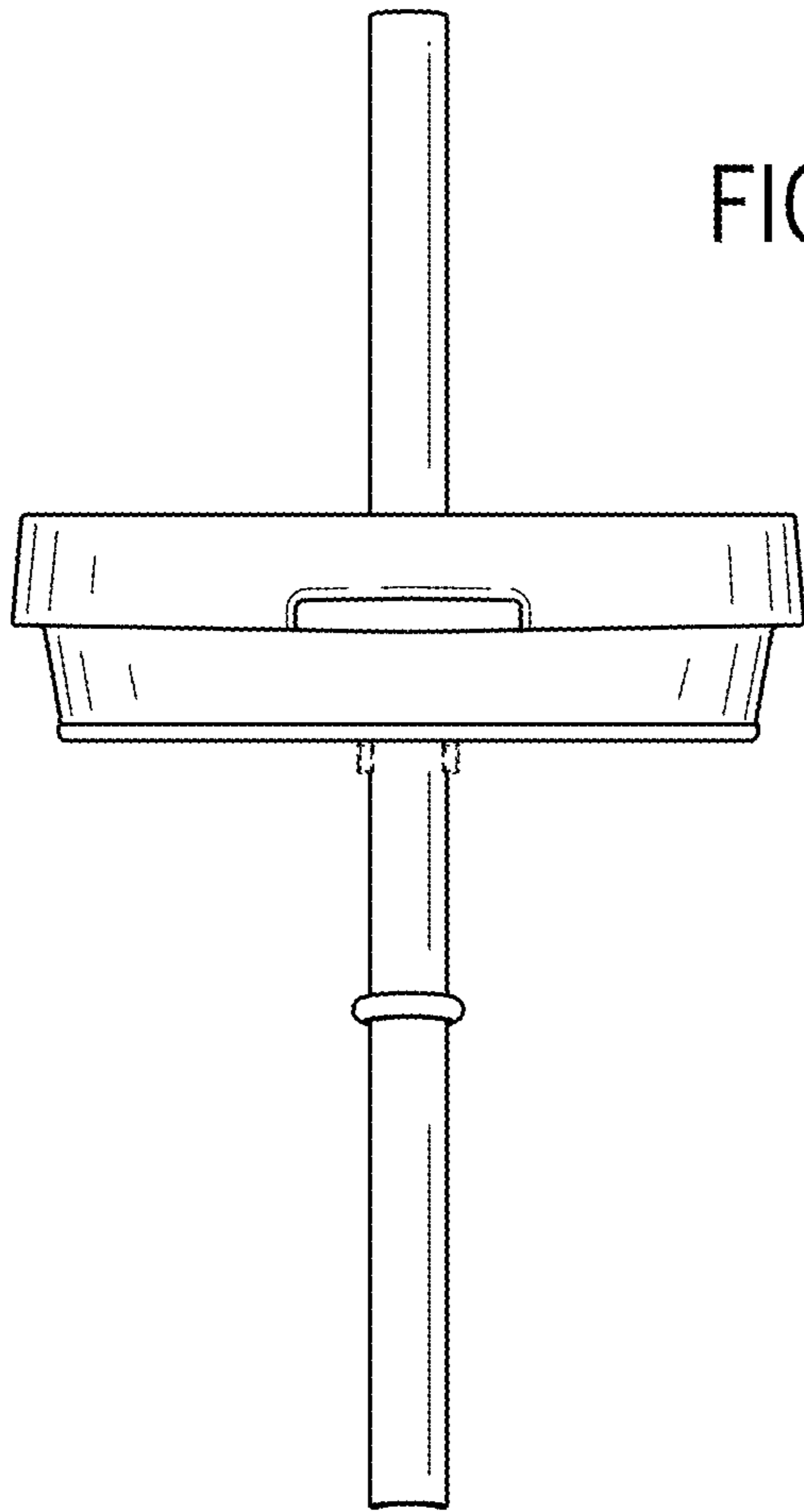


FIG. 5

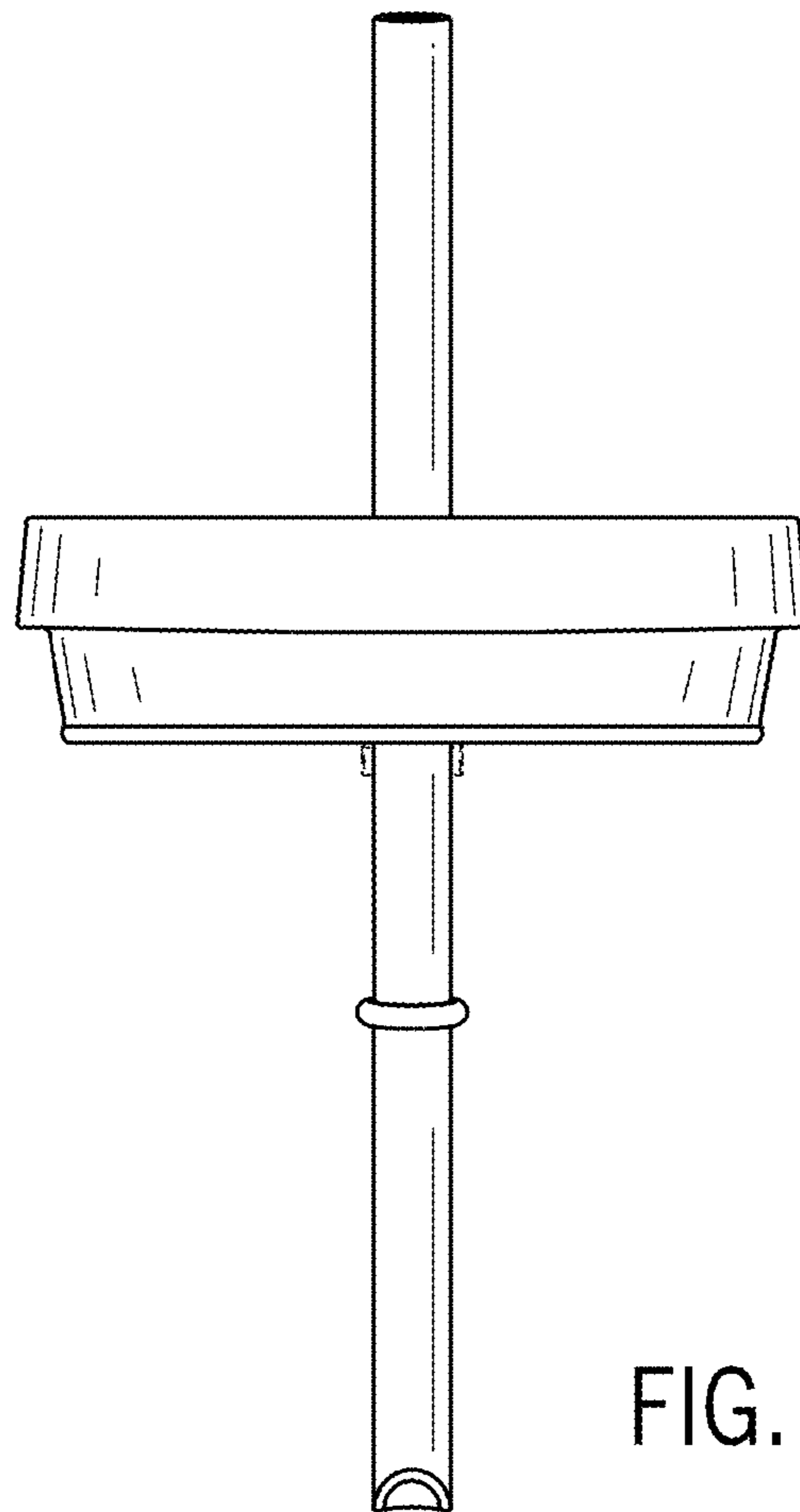


FIG. 6

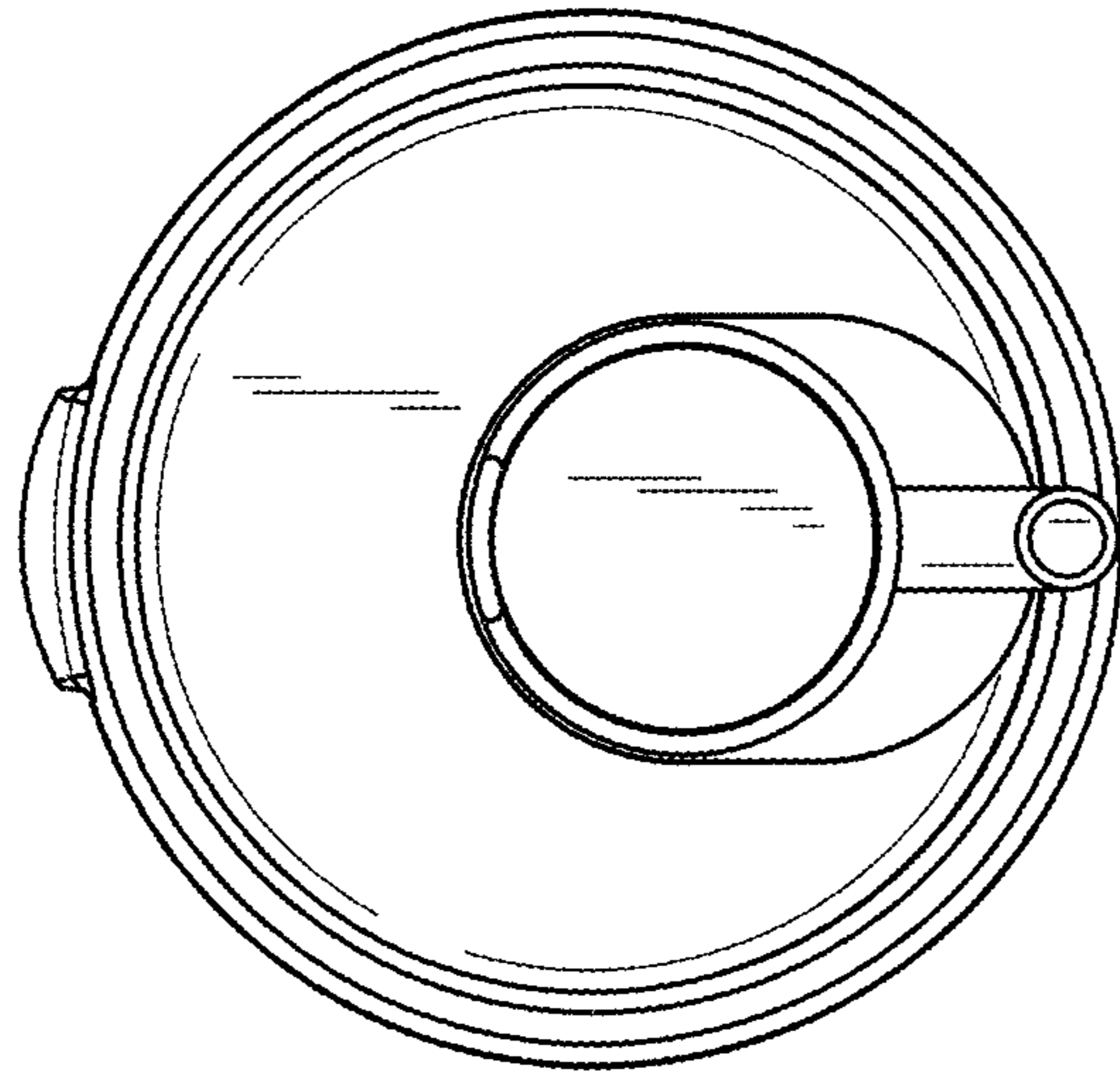


FIG. 7

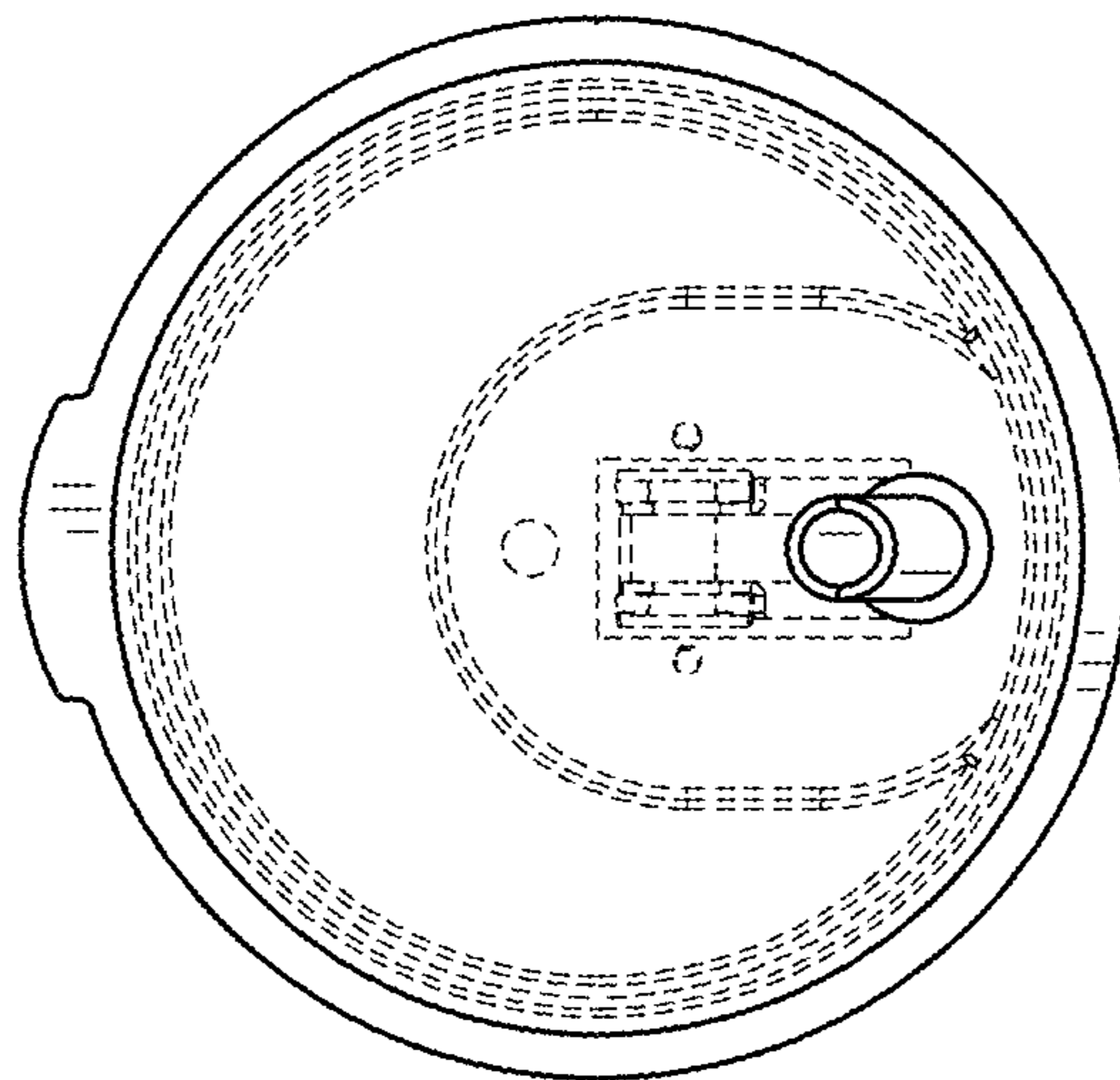


FIG. 8

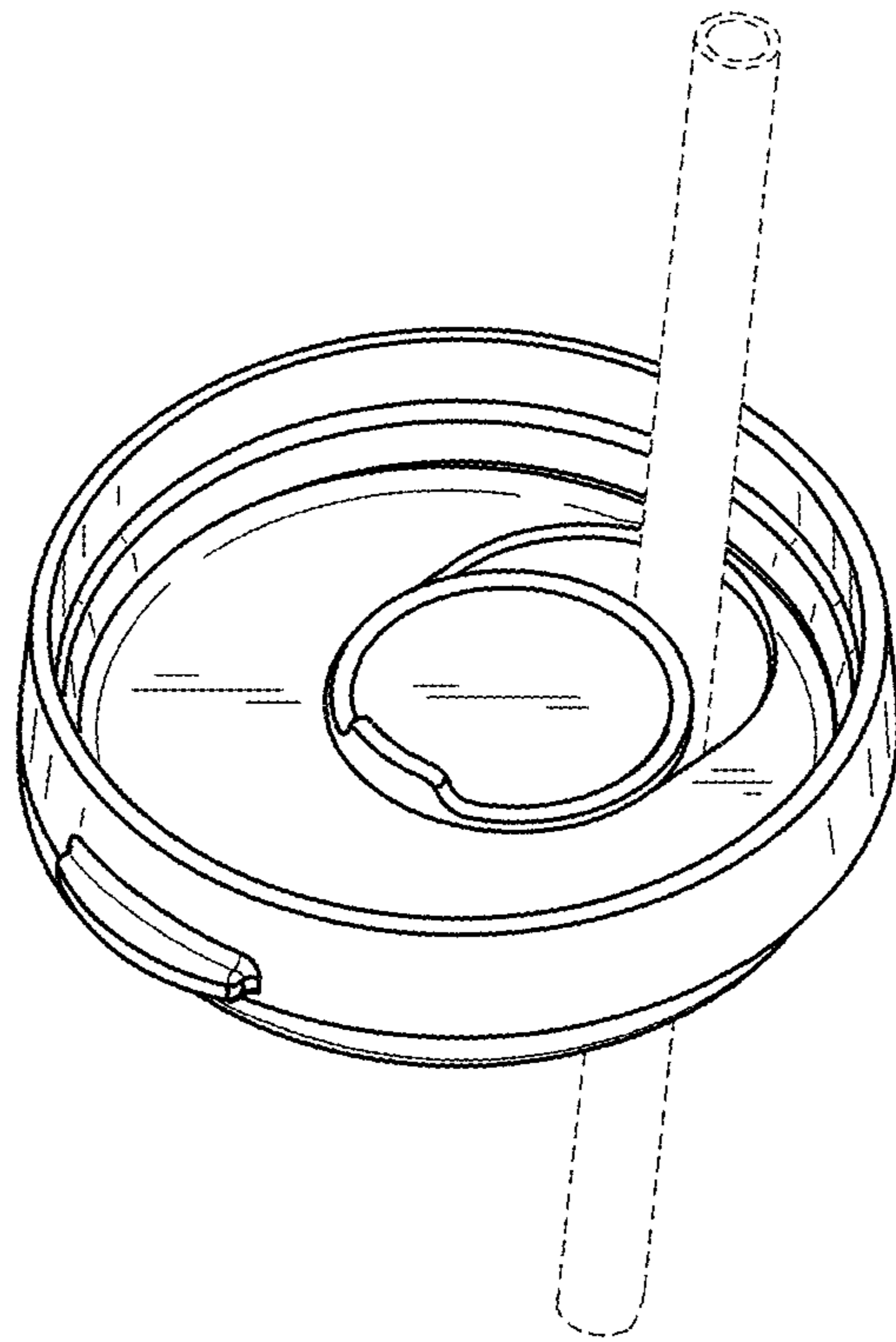


FIG. 9

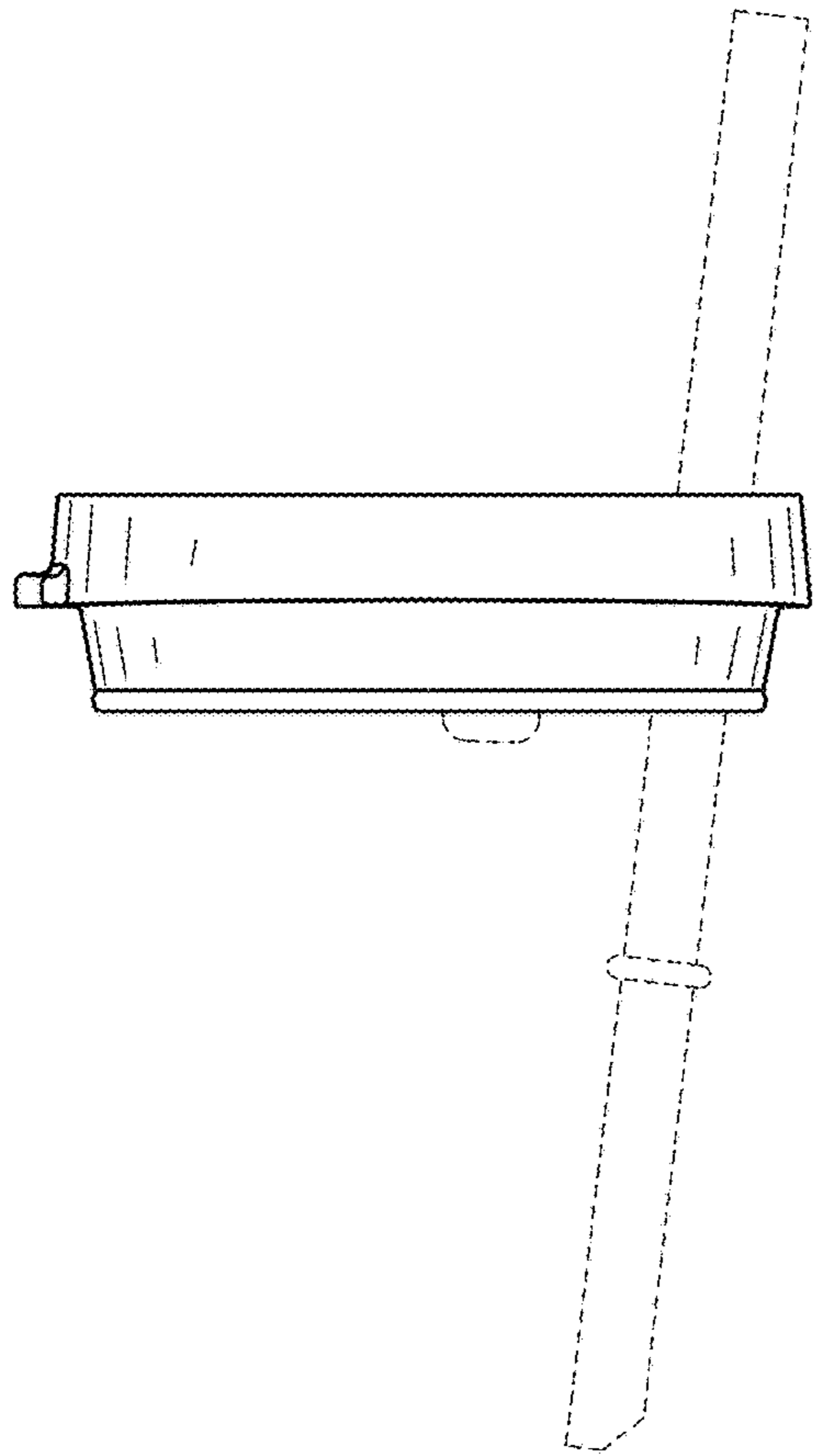


FIG. 10

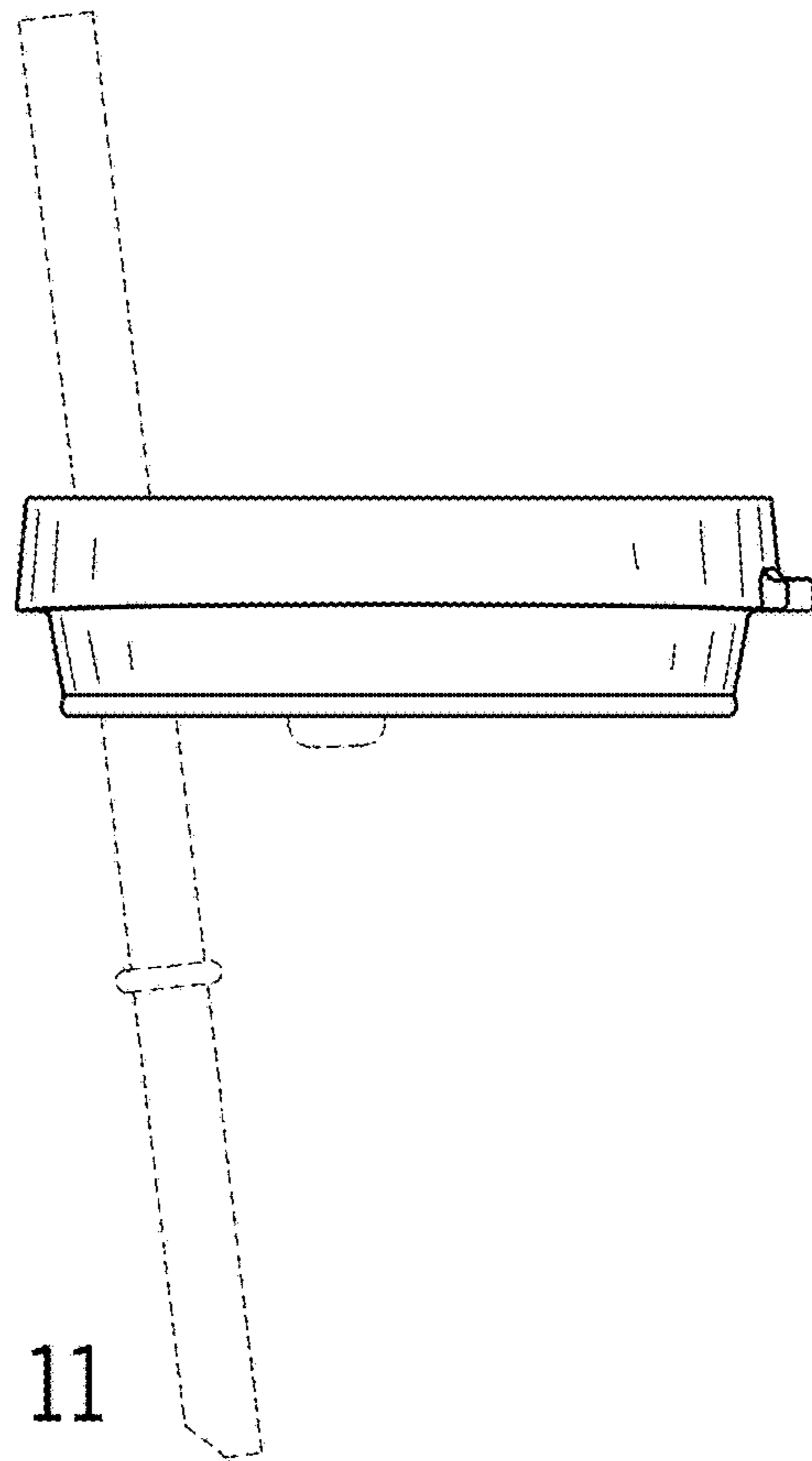


FIG. 11

FIG. 12

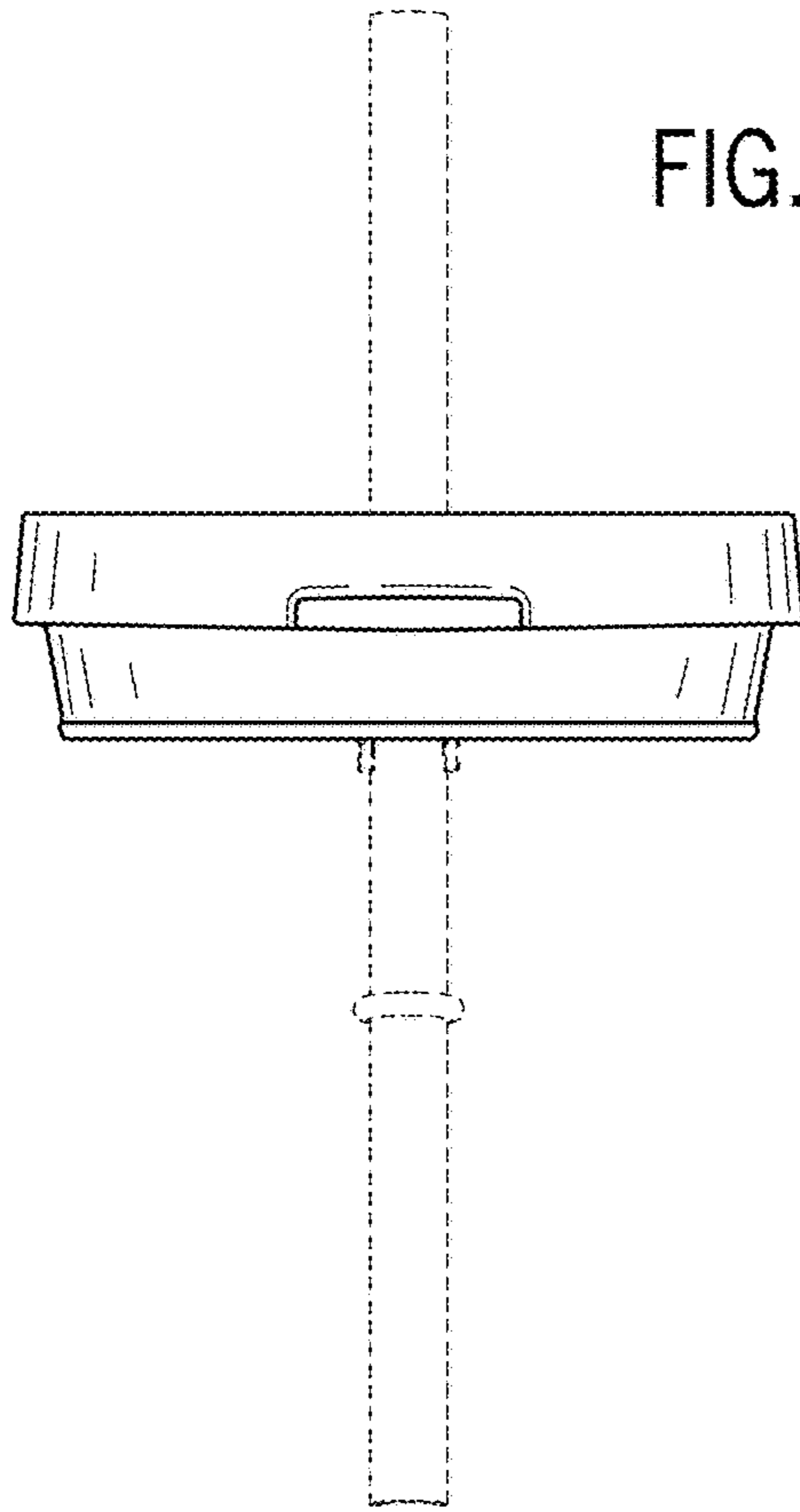
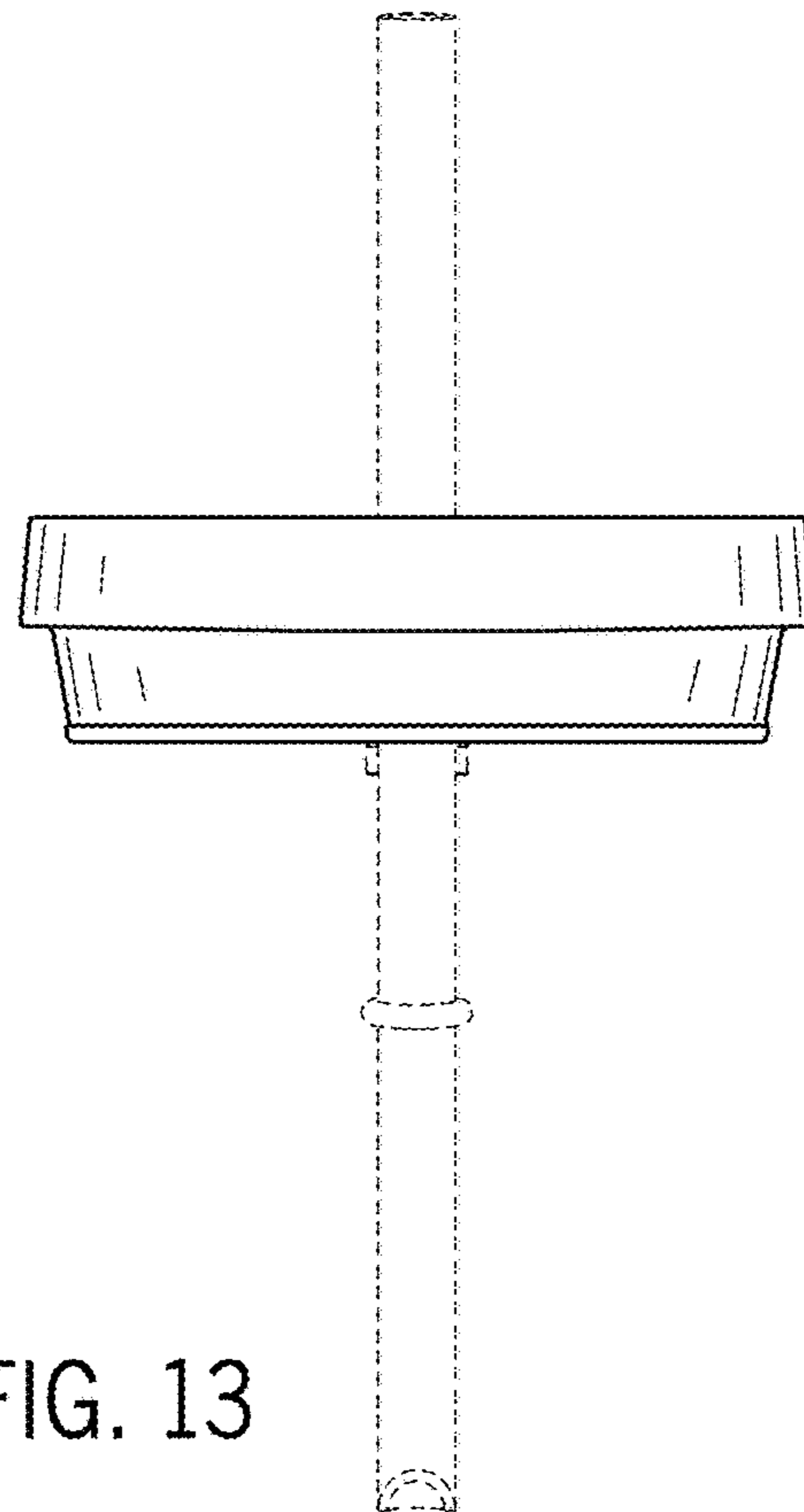


FIG. 13



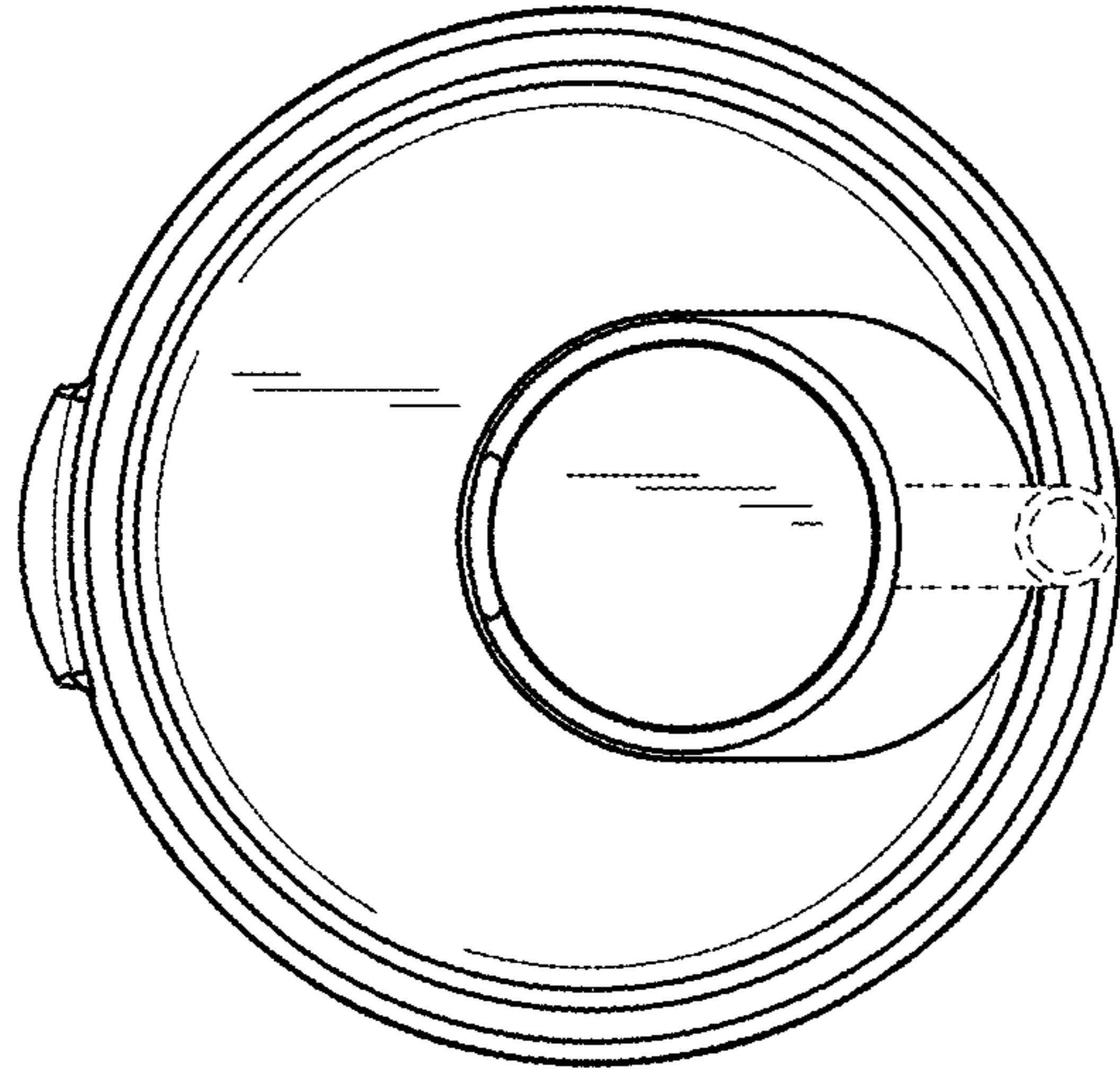


FIG. 14

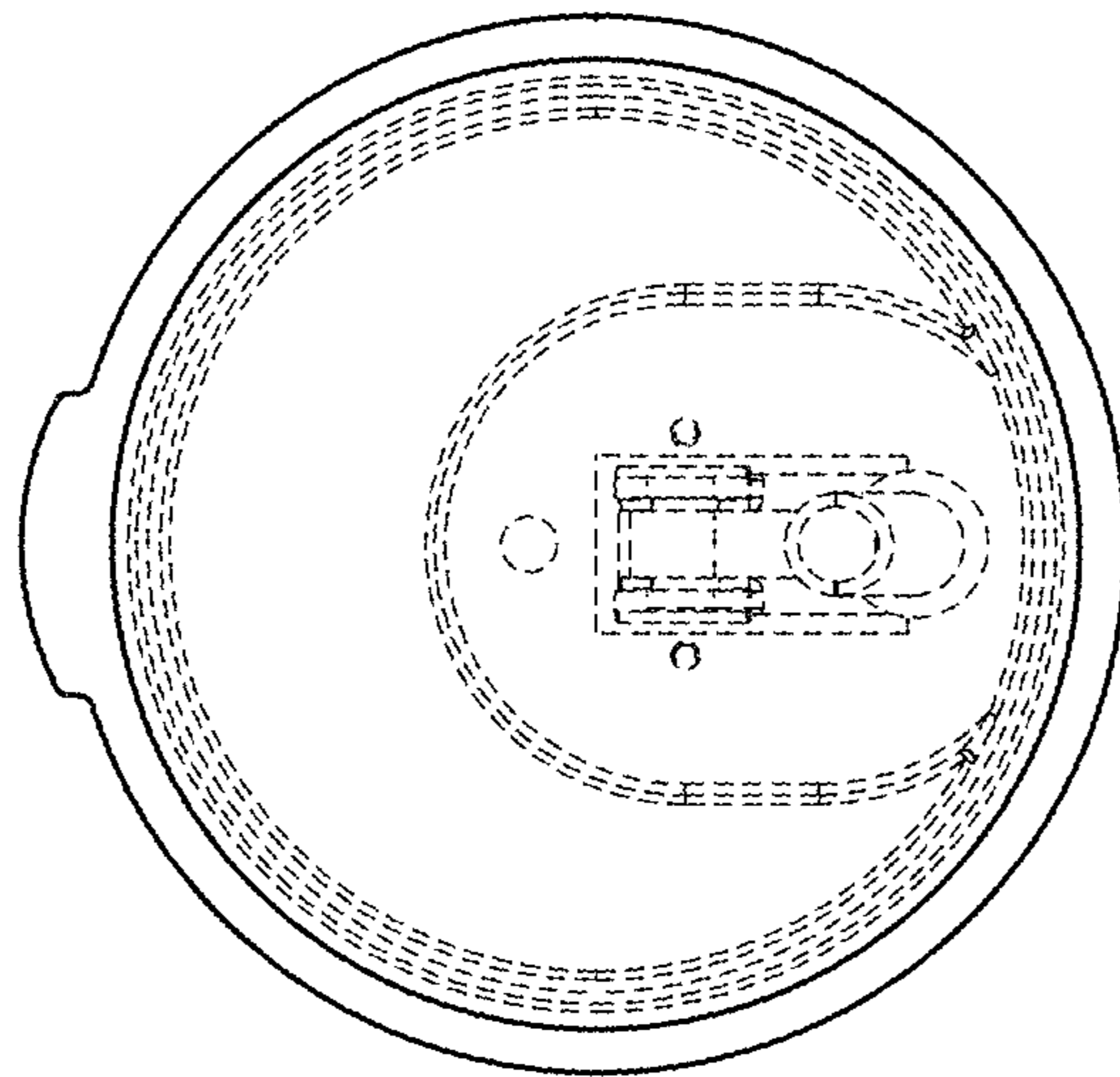


FIG. 15