



US00D815889S

(12) **United States Design Patent** (10) **Patent No.:** **US D815,889 S**
Xu (45) **Date of Patent:** **** Apr. 24, 2018**

(54) CAP	5,482,172 A * 1/1996 Braddock B65D 1/06 215/237
(71) Applicant: Yongkang Lingying Industrial and Trading Co., Ltd., Yongkang (CN)	D384,584 S * 10/1997 Kong D9/447 D387,621 S * 12/1997 Sullivan D7/510 5,873,478 A * 2/1999 Sullivan A47G 19/2266 215/389
(72) Inventor: Jiangyong Xu, Yongkang (CN)	D547,607 S * 7/2007 Forsman D7/396.2 D632,176 S * 2/2011 McKinney D9/450
(73) Assignee: YONGKANG LINGYING INDUSTRIAL AND TRADING CO., LTD., Yongkang, Zhejiang (CN)	D649,879 S * 12/2011 Gullickson D9/443 D652,256 S * 1/2012 Eyal D7/510 D653,081 S * 1/2012 George D7/316 D675,525 S * 2/2013 Hanai D9/447 D682,034 S * 5/2013 El-Saden D7/510 D683,581 S * 6/2013 Archer D7/392.1
(**) Term: 15 Years	(Continued)

(21) Appl. No.: **29/586,290**

(22) Filed: **Dec. 2, 2016**

(51) **LOC (11) Cl.** **07-99**

(52) **U.S. Cl.**
USPC **D7/392.1; D7/396.2; D9/447**

(58) **Field of Classification Search**
USPC D9/414, 417, 428, 432, 434, 435, D9/443-450, 452-456, 499, 682-685; D7/387, 392, 392.1, 393, 396, D7/396.1-396.4, 398, 401.1, 507, D7/509-511, 538, 900; D3/202, 294, D3/318, 321; D28/91.1, 85
CPC .. A61J 1/00; A61J 1/1412; B65D 1/00; B65D 1/02; B65D 1/10; B65D 1/46; B65D 2585/56; B65D 2585/545; B65D 41/00; B65D 41/38; B65D 41/56; B65D 41/62; B65D 47/00; B65D 47/06; B65D 47/08; B65D 2543/00046; B65D 2543/00092; B65D 2543/00296; B65D 5/46; B65D 2251/00

See application file for complete search history.

(56) **References Cited**

U.S. PATENT DOCUMENTS

D214,883 S * 8/1969 Hazard D9/450
D315,103 S * 3/1991 Bennett D9/447
D334,341 S * 3/1993 Brown D7/312

FOREIGN PATENT DOCUMENTS

DE	9302544 U1	4/1993
EP	2476628 A1	7/2012

OTHER PUBLICATIONS

Extended EPO Search Report dated Dec. 22, 2016 for European Patent Application No. 16166556.7.

Primary Examiner — Michael A. Pratt
Assistant Examiner — Wendy L Arminio
(74) *Attorney, Agent, or Firm* — Ladas & Parry, LLP

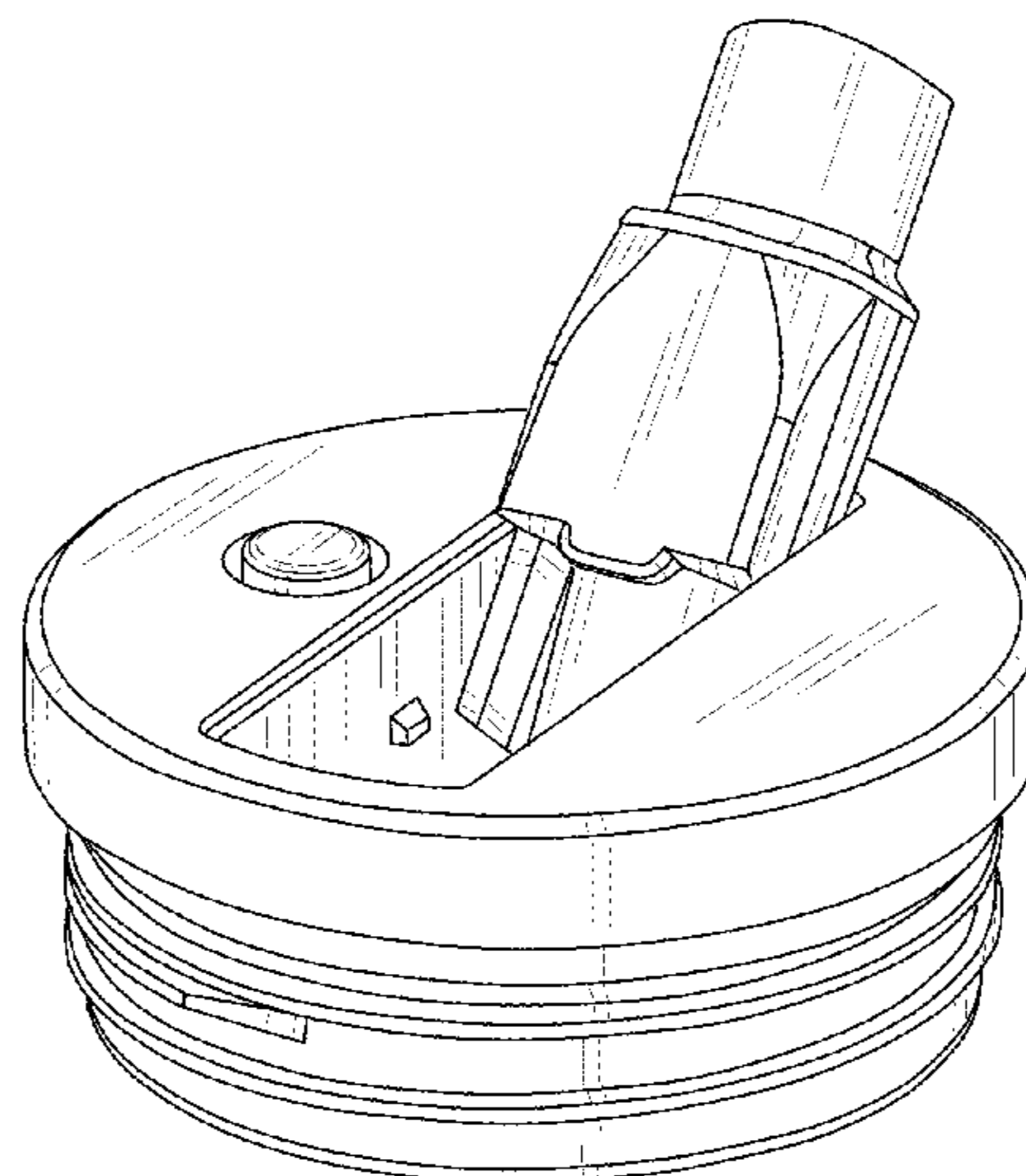
(57) **CLAIM**

The ornamental design for a cap, as shown and described.

DESCRIPTION

FIG. 1 is a front perspective view of a cap in accordance with the design;
FIG. 2 is a front view of the design thereof;
FIG. 3 is a rear view of the design thereof;
FIG. 4 is a right side view of the design thereof;
FIG. 5 is a left side view of the design thereof;
FIG. 6 is a top view of the design thereof; and,
FIG. 7 is a bottom view of the design thereof.

1 Claim, 7 Drawing Sheets



(56)

References Cited

U.S. PATENT DOCUMENTS

D685,606 S * 7/2013 Keys D7/392.1
D700,014 S * 2/2014 Zeanah D7/510
D700,807 S * 3/2014 Kershaw D7/510
8,668,106 B1 * 3/2014 Joy A47G 19/2266
220/254.3
D717,103 S * 11/2014 Wilbur D7/392.1
D720,184 S * 12/2014 Gilbert D7/300.1
D720,218 S * 12/2014 Hutson D9/443
D724,384 S * 3/2015 Donovan D7/510
D729,569 S * 5/2015 Herbst D7/392
D799,320 S * 10/2017 Goodwin D9/447
2010/0181329 A1 7/2010 Davies et al.
2012/0187075 A1 7/2012 El-Saden et al.
2015/0164254 A1 6/2015 Niedens
2015/0173539 A1 * 6/2015 Mason A47G 19/2272
220/707

* cited by examiner

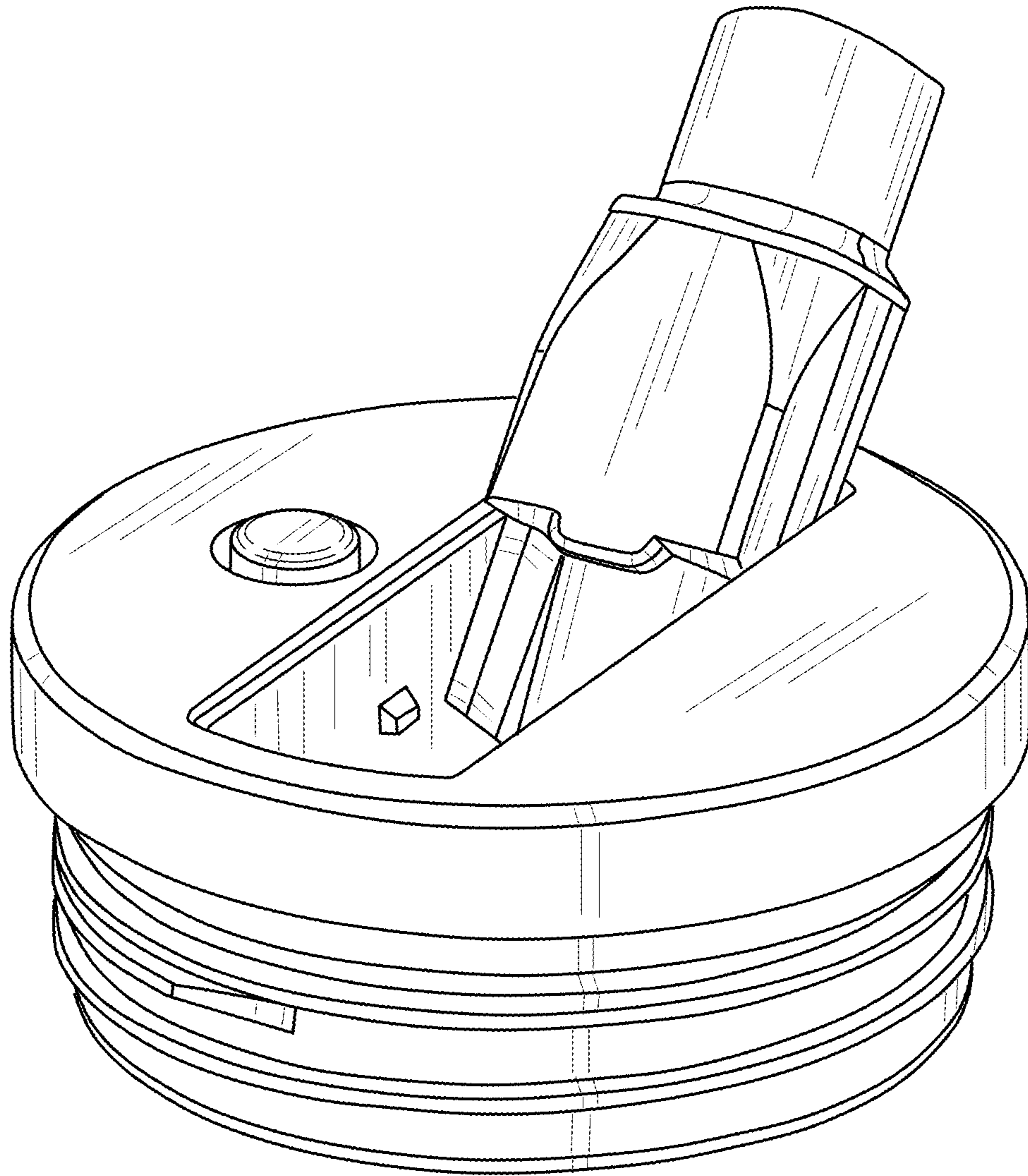


FIG. 1

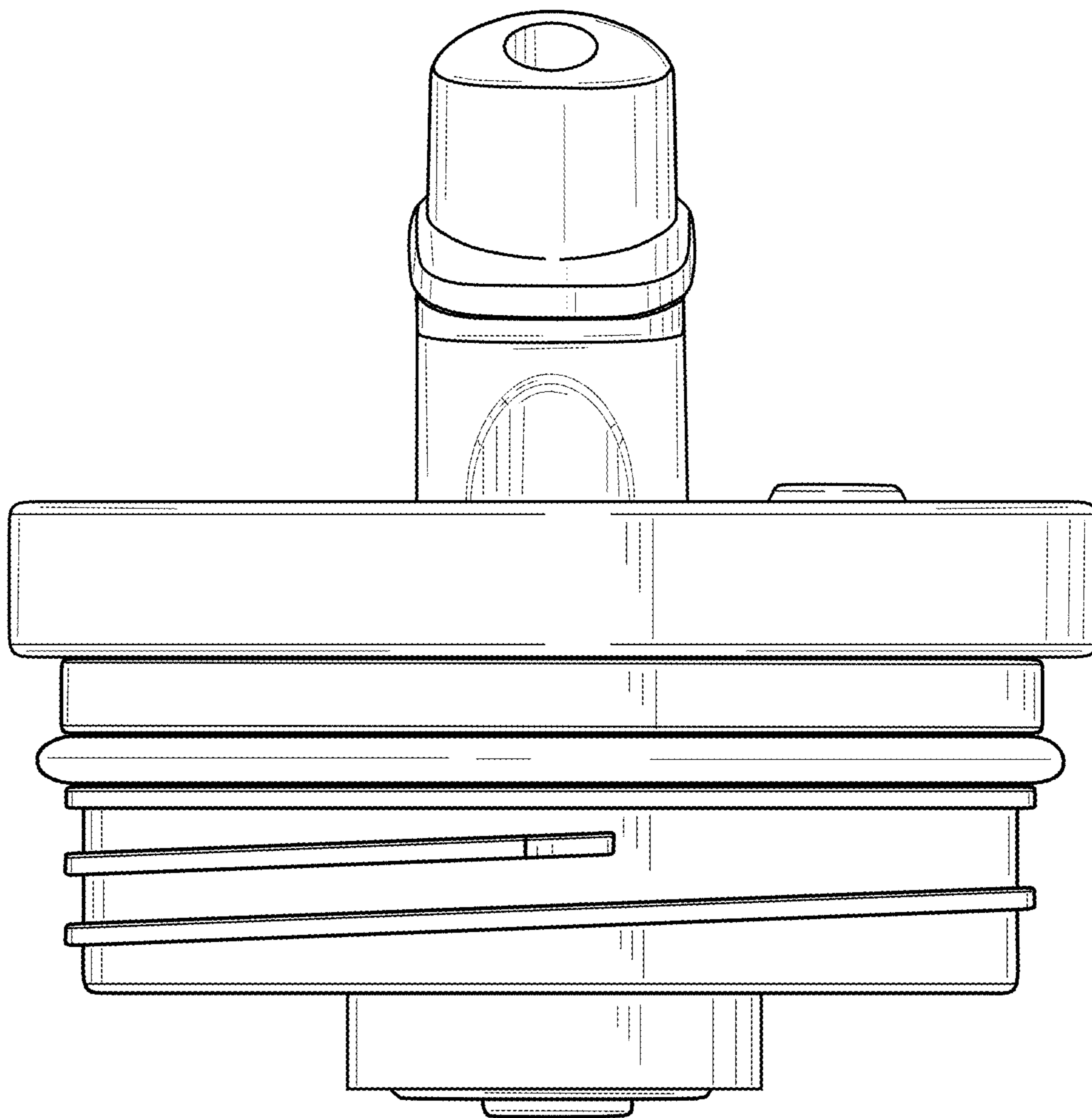


FIG. 2

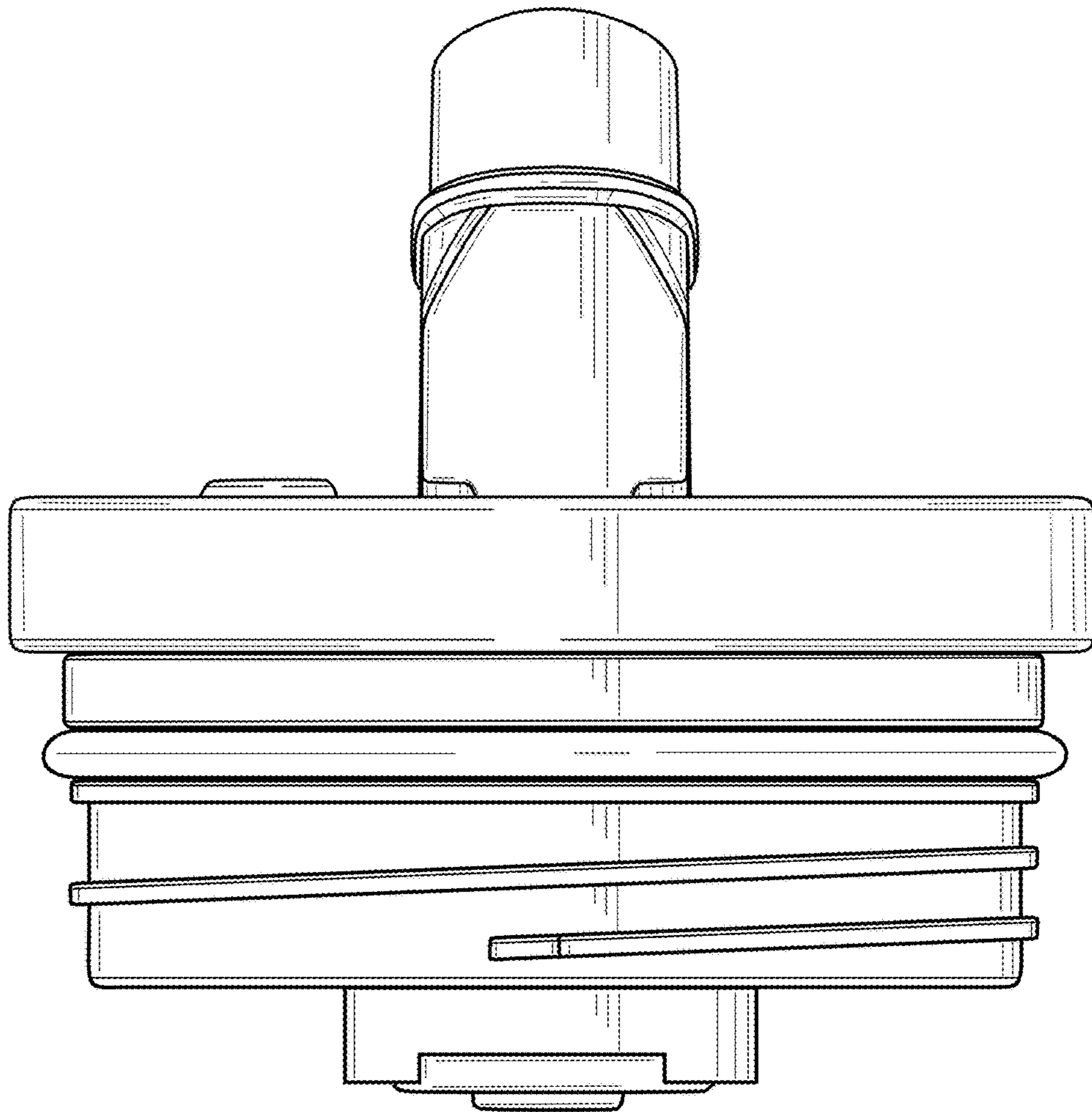


FIG. 3

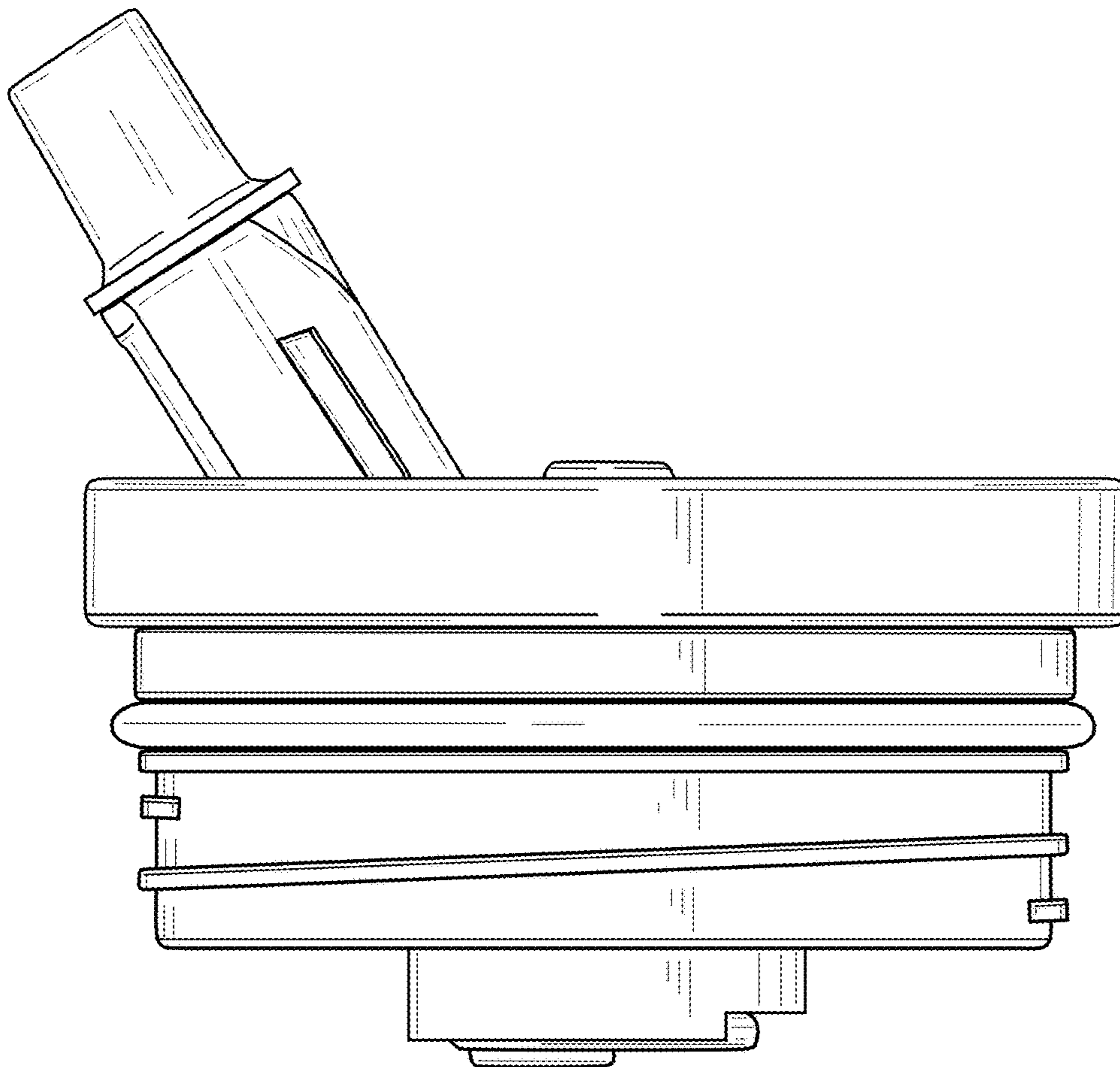


FIG. 4

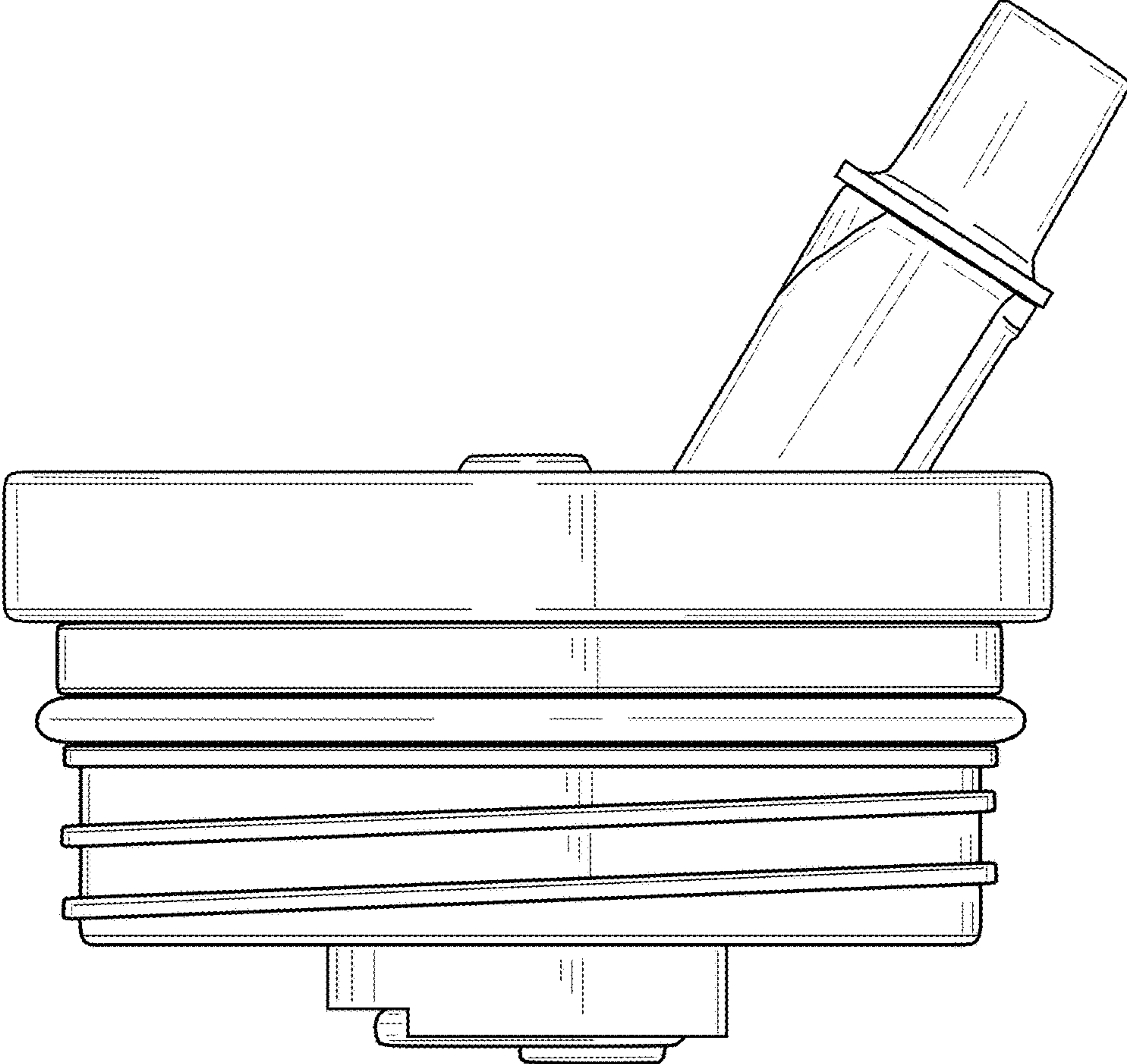


FIG. 5

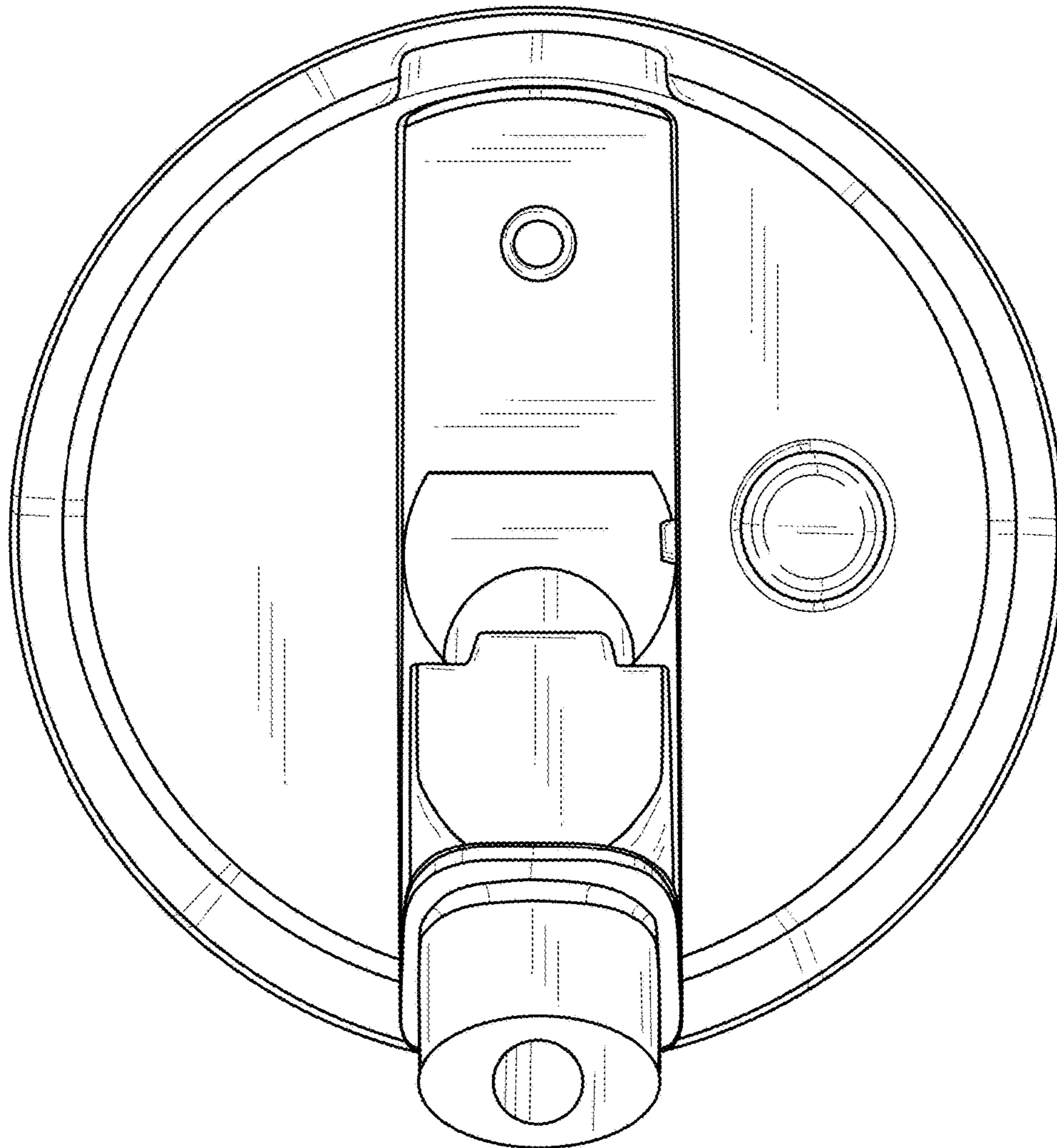


FIG. 6

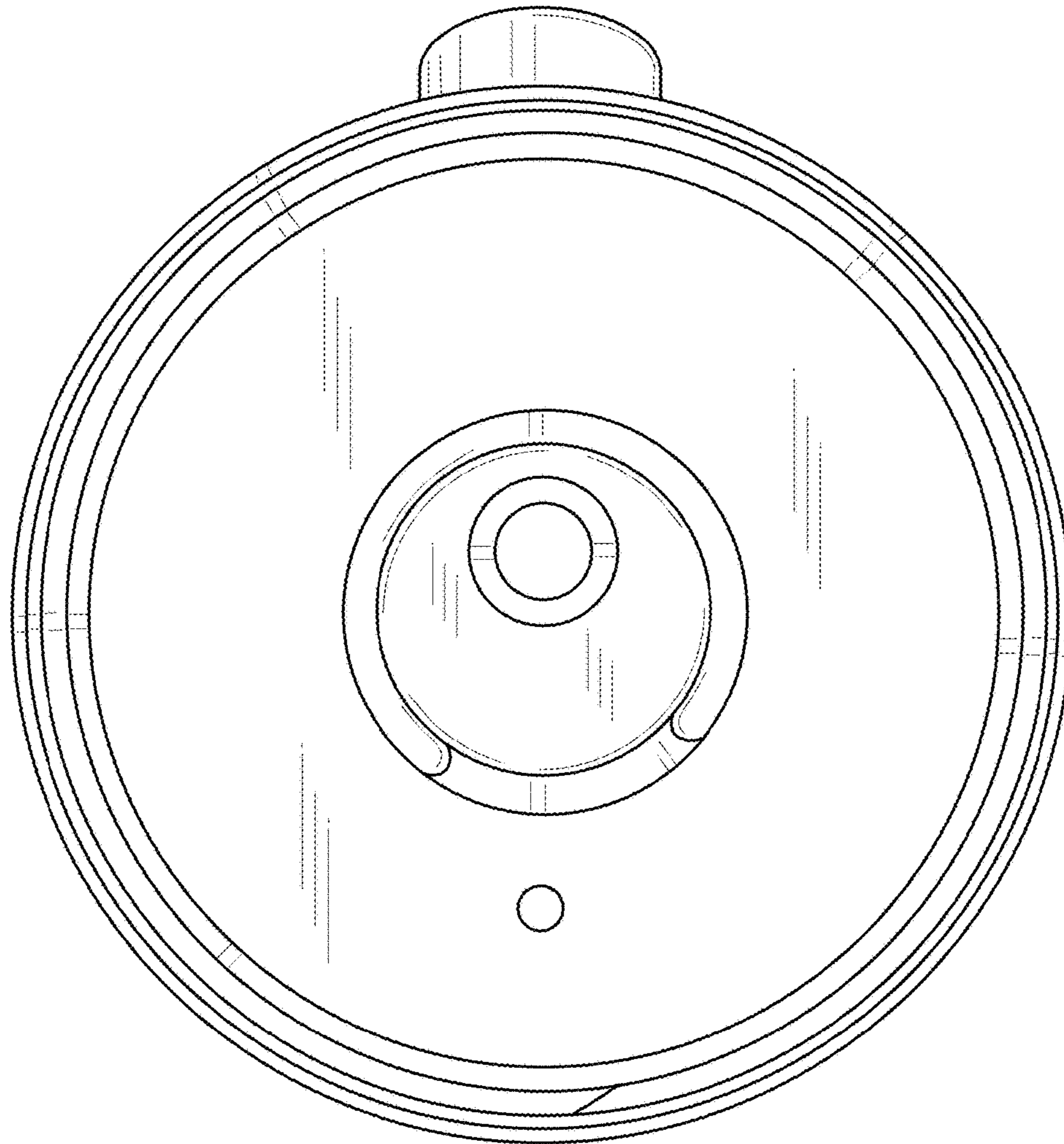


FIG. 7