



US00D815888S

(12) **United States Design Patent**
Vianello

(10) **Patent No.:** **US D815,888 S**

(45) **Date of Patent:** **** Apr. 24, 2018**

(54) **FOOD CUTTER**

(71) Applicant: **Andrea Vianello**, New Providence, NJ
(US)

(72) Inventor: **Andrea Vianello**, New Providence, NJ
(US)

(**) Term: **15 Years**

(21) Appl. No.: **29/546,315**

(22) Filed: **Nov. 20, 2015**

(51) **LOC (11) Cl.** **31-00**

(52) **U.S. Cl.**
USPC **D7/381**

(58) **Field of Classification Search**

USPC D7/376-386, 412, 693
CPC A47J 25/00; A47J 42/34; A47J 43/044;
B26D 1/14; B26D 1/143; B26D 1/15;
B26D 1/153; B26D 1/157; B26D 1/18;
B26D 1/28; B26D 3/26; B26D 5/00;
B26D 5/06; B26D 5/08; B26D 5/10;
B26D 5/12; B26D 5/22; B26D 5/26;
B26D 5/38; B26D 5/42; B26D 7/00;
B26D 7/01; B26D 7/08; B26D 7/12;
B26D 7/18; B26D 7/1818; B26D 7/22;
B26D 7/225; B26D 7/24; B26D 7/26;
B26D 7/2614; B26D 7/2621; B26D
7/2628; B26D 7/2635; B26D 7/30; B26D
7/32; B26D 7/325; B27G 13/00; B27G
13/005; B27G 13/10

See application file for complete search history.

(56) **References Cited**

U.S. PATENT DOCUMENTS

2,156,645 A 5/1939 Waller
3,696,847 A 10/1972 Ereksen et al.
3,933,315 A * 1/1976 Popeil A47J 42/34
241/166
4,572,444 A * 2/1986 Shaddock B26D 3/26
241/168

4,628,808 A 12/1986 Simon
4,738,195 A 4/1988 Berube
4,765,234 A 8/1988 Cailliot
5,089,286 A 2/1992 Geissler et al.
D335,609 S * 5/1993 Cesaroni D7/693
5,216,031 A 6/1993 Dobson et al.
5,662,033 A 9/1997 Yawman

(Continued)

Primary Examiner — Ricky Pham

(74) *Attorney, Agent, or Firm* — Gearhart Law LLC

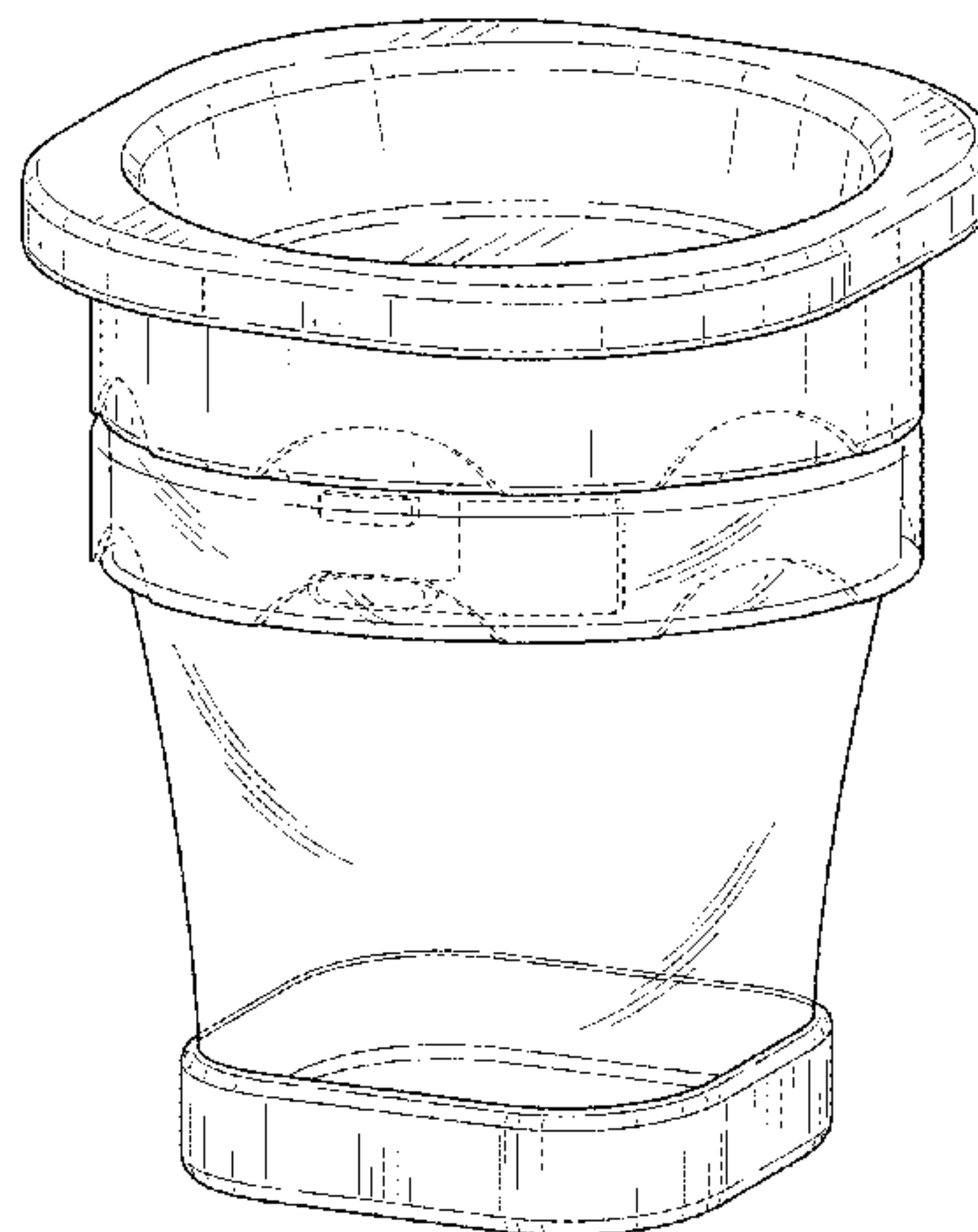
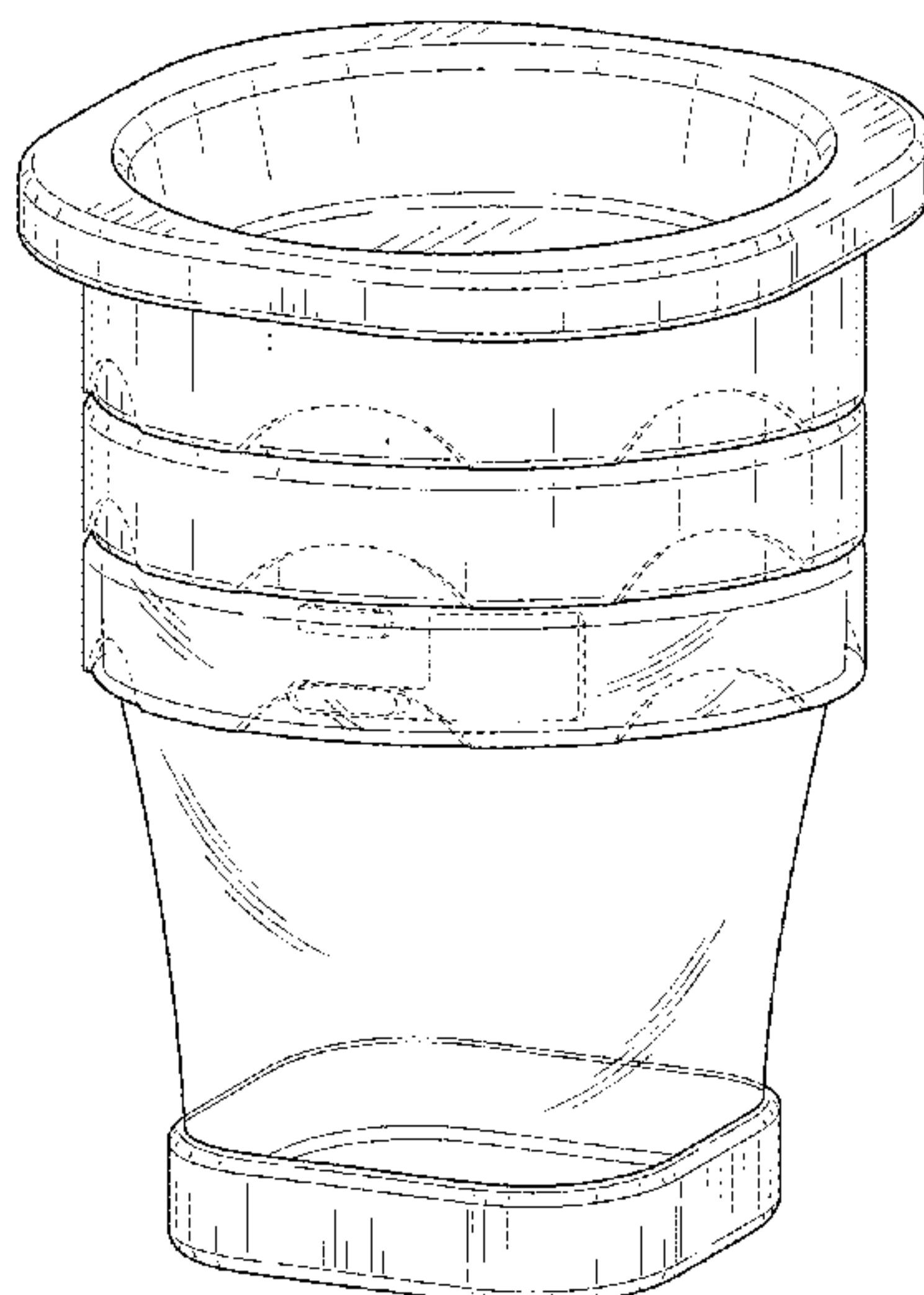
(57) **CLAIM**

The ornamental design for a food cutter, as shown and described.

DESCRIPTION

FIG. 1 is a perspective view of the food cutter.
FIG. 2 is a front view of the food cutter as shown FIG. 1.
FIG. 3 is a back view of FIG. 1.
FIG. 4 is a left side view of FIG. 1.
FIG. 5 is a right side view of FIG. 1.
FIG. 6 is a top view of FIG. 1.
FIG. 7 is a bottom view of FIG. 1.
FIG. 8 is a perspective view a second embodiment of the food cutter.
FIG. 9 is a front view of the second embodiment as shown in FIG. 9.
FIG. 10 is a back view of the second embodiment as shown FIG. 9.
FIG. 11 is a left side view of the second embodiment as shown FIG. 9.
FIG. 12 is a right side view of the second embodiment as shown FIG. 9.
FIG. 13 is a top view of the second embodiment as shown FIG. 9; and,
FIG. 14 is a bottom view of the second embodiment as shown FIG. 9.
The broken lines present in the drawings are for illustrative purposes and form no part of the claimed design.

1 Claim, 12 Drawing Sheets



(56)

References Cited

U.S. PATENT DOCUMENTS

5,989,607	A	11/1999	Dieso et al.	
D464,853	S *	10/2002	Klamer	D7/693
D518,688	S *	4/2006	Overthun	D7/693
7,677,148	B2	3/2010	Rizvi	
D668,114	S *	10/2012	Cozzolino	D7/376
8,561,529	B2 *	10/2013	Hoffman	A47J 25/00 99/537
8,596,192	B2	12/2013	Hauser et al.	
8,733,239	B2	5/2014	Allen	
2004/0149843	A1 *	8/2004	Tang	A47J 43/044 241/272
2005/0158427	A1	7/2005	Palmer et al.	
2008/0307980	A1	12/2008	Lee et al.	
2014/0137417	A1	5/2014	Silberberg et al.	

* cited by examiner

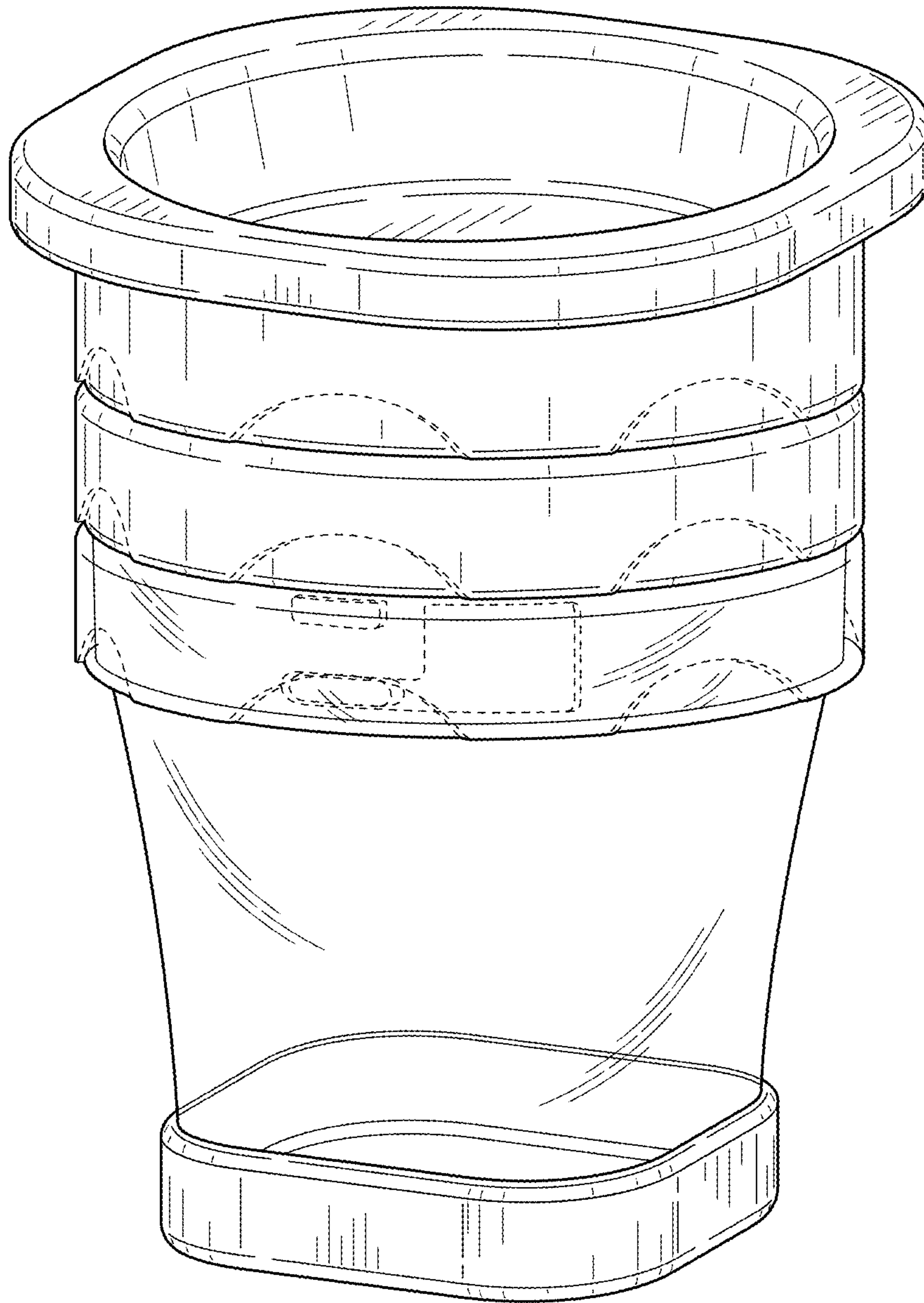


FIG. 1

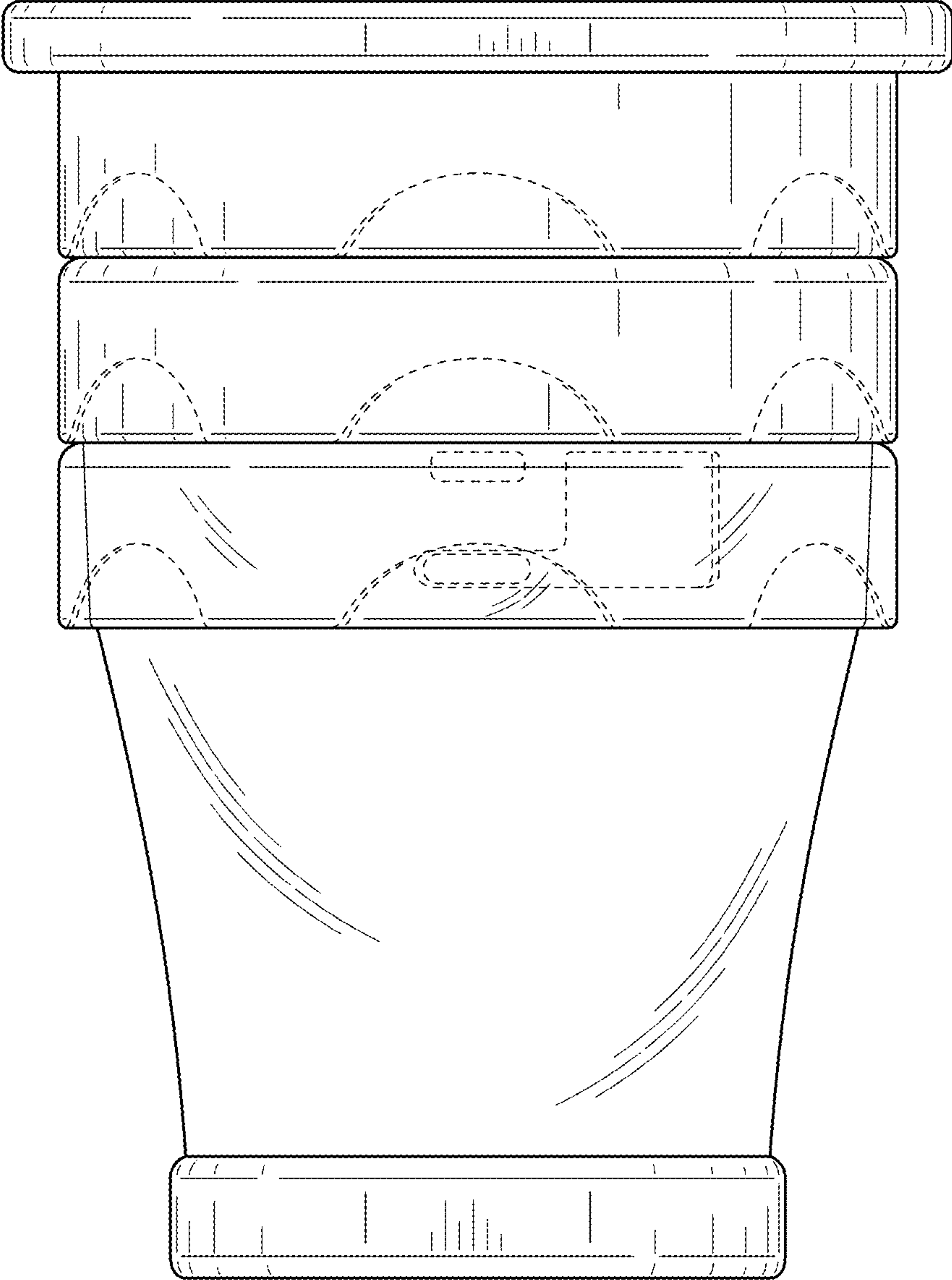


FIG. 2

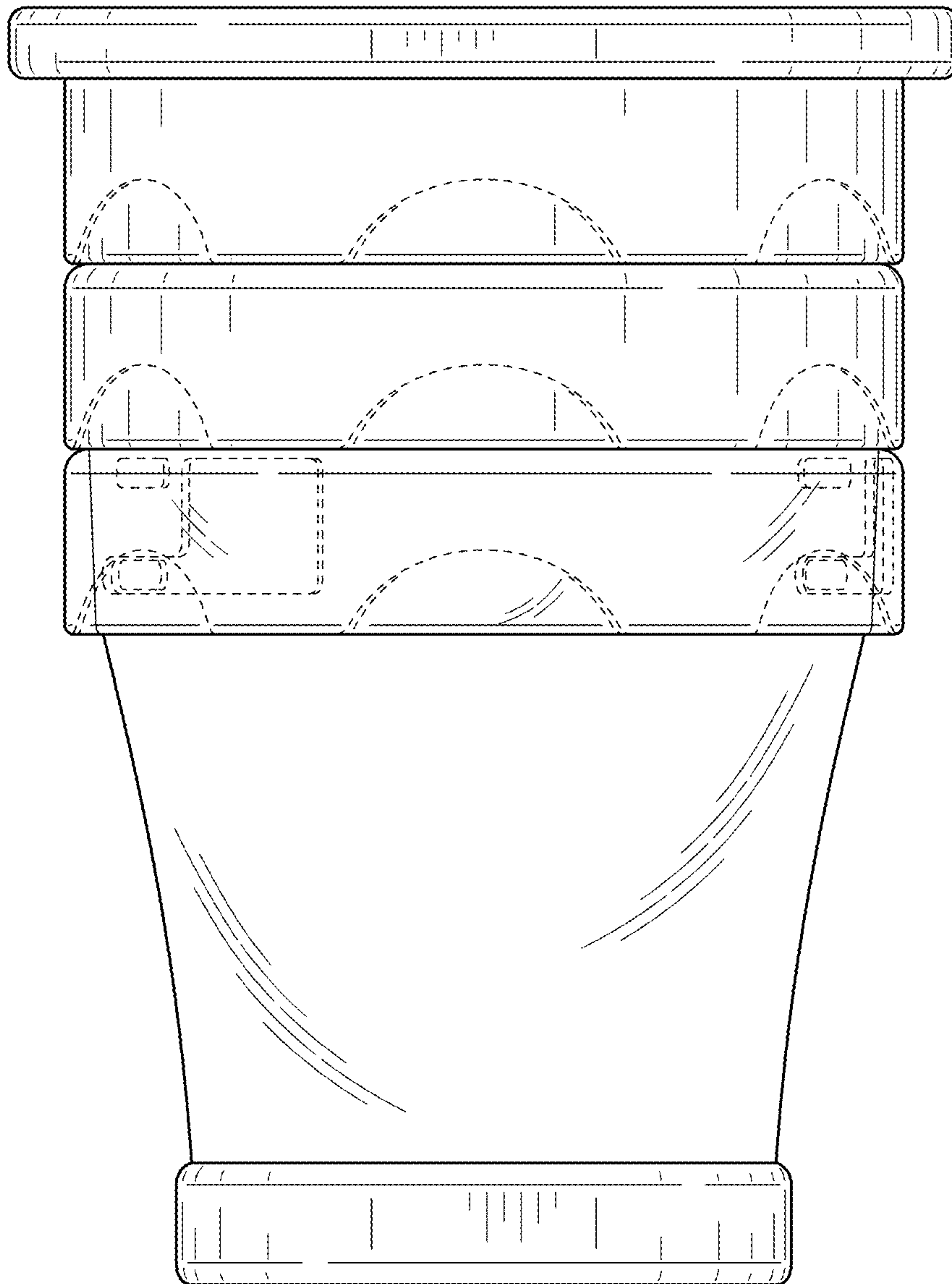


FIG. 3

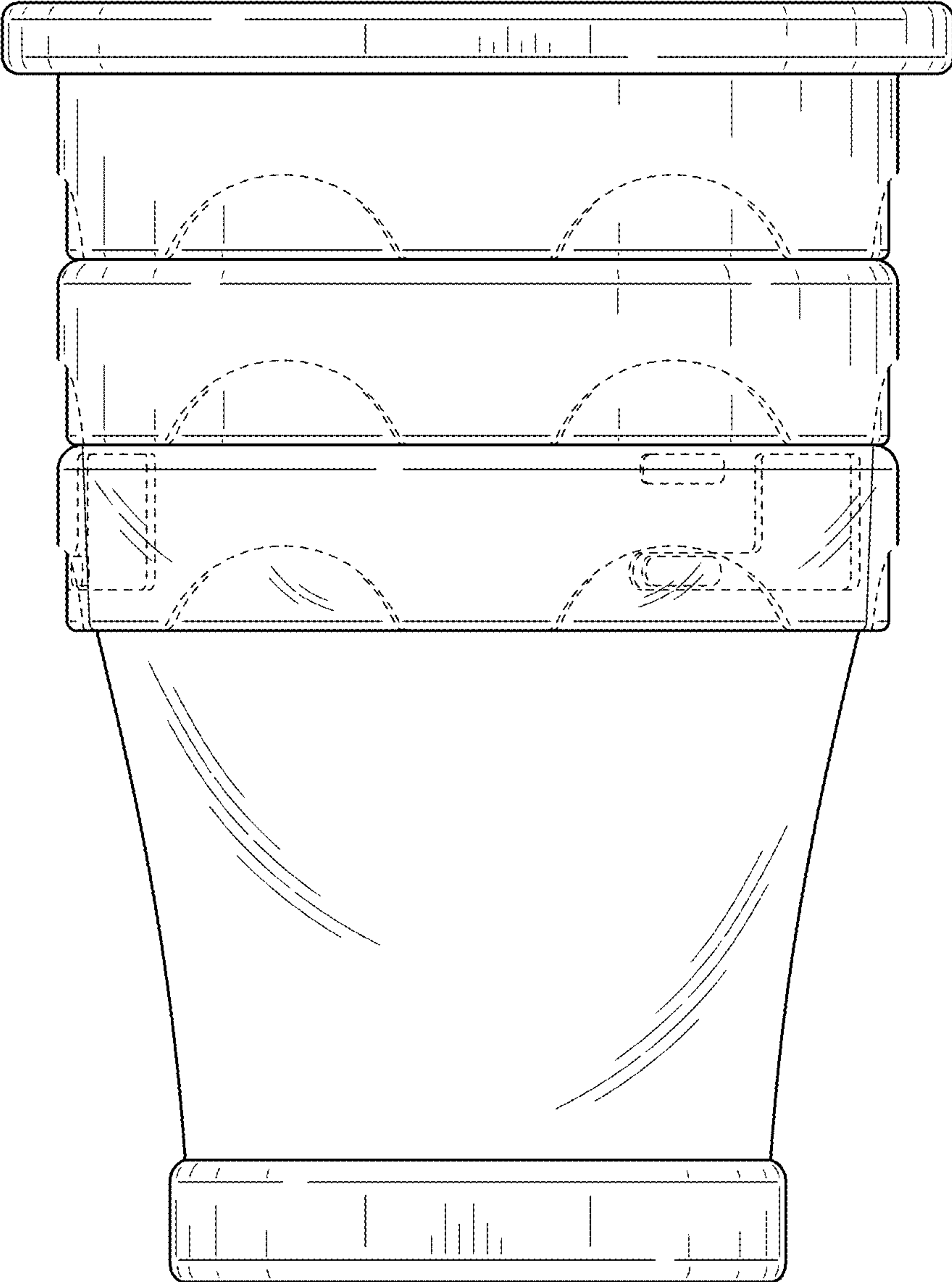


FIG. 4

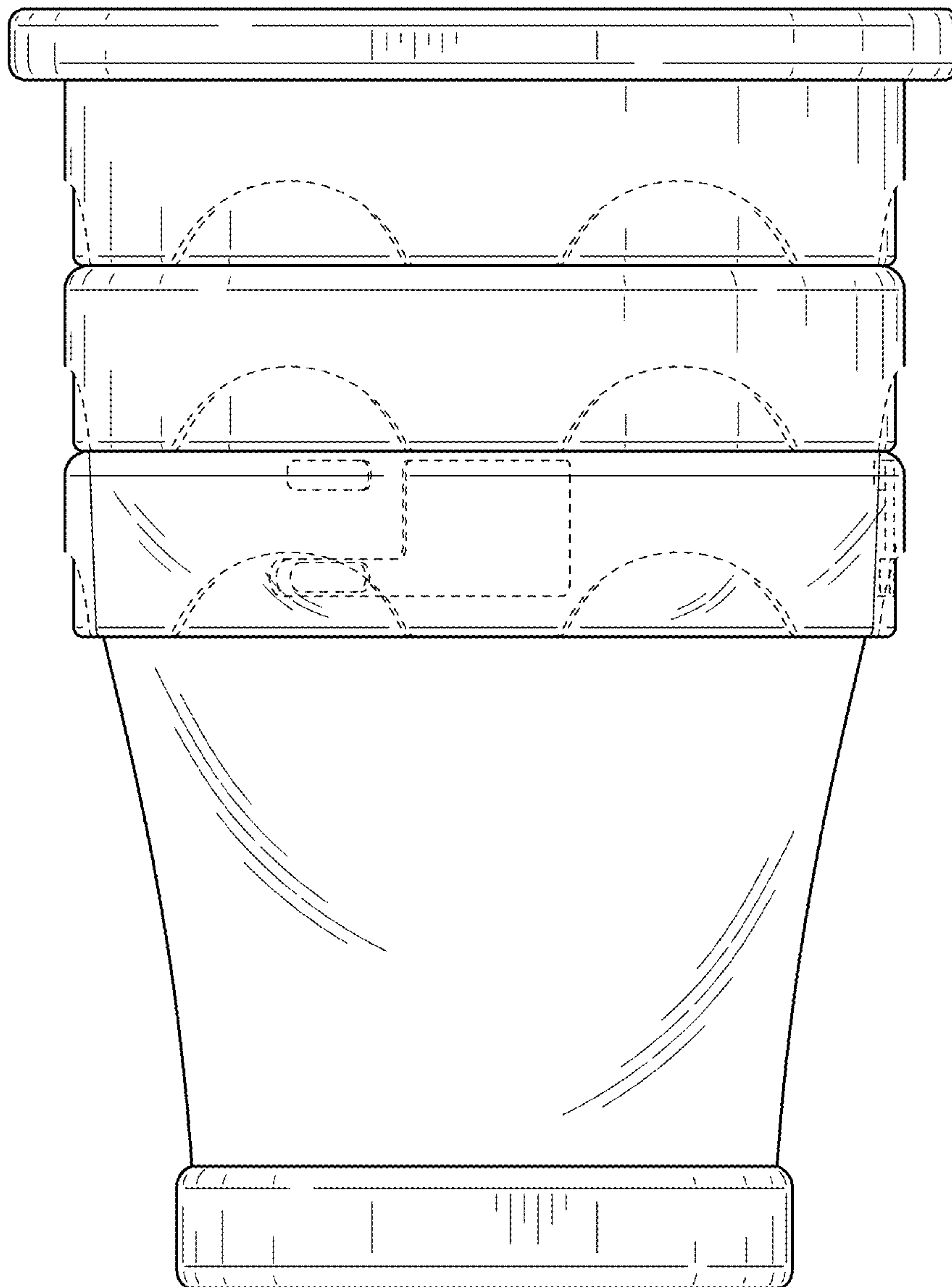


FIG. 5

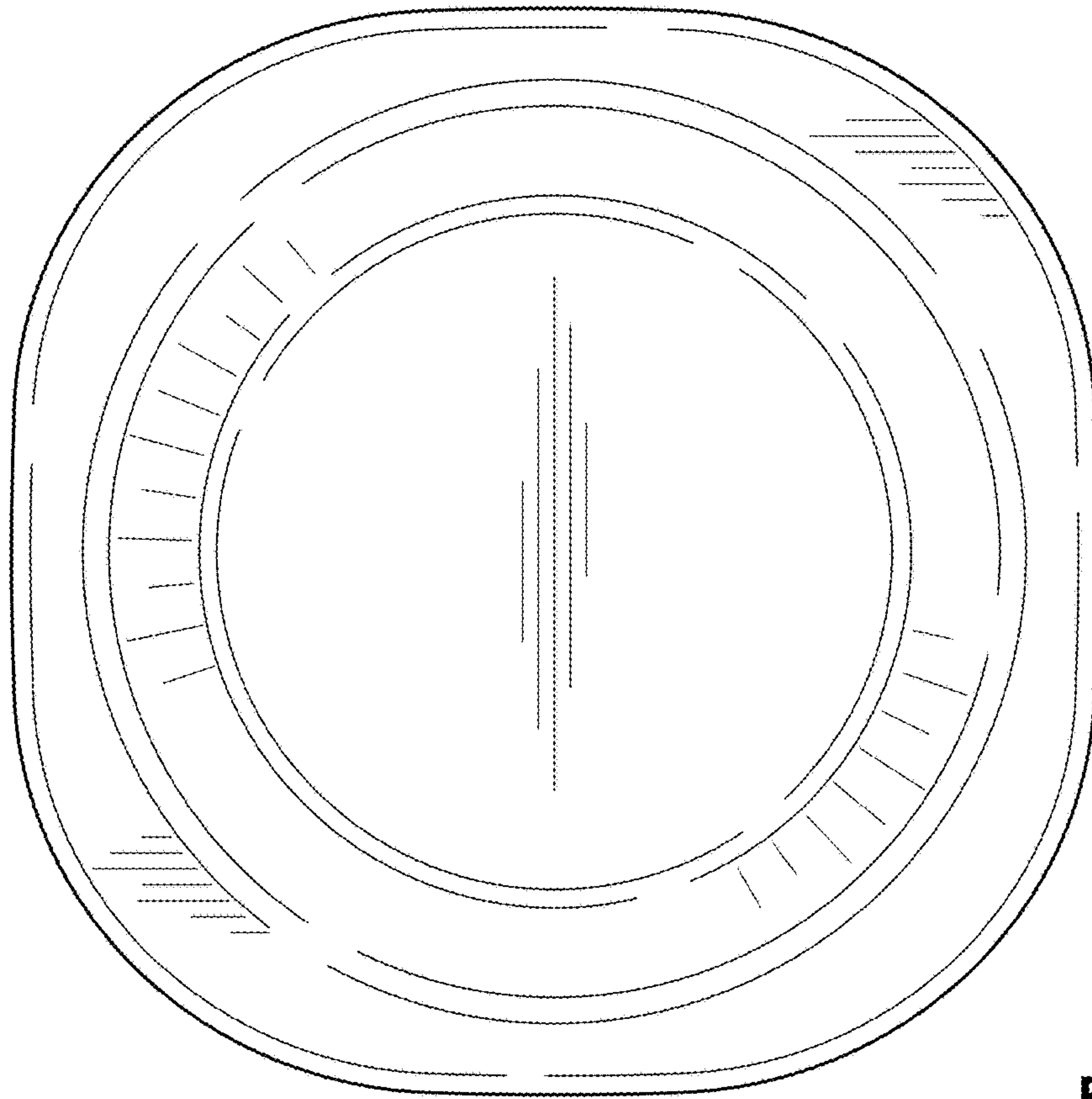


FIG. 6

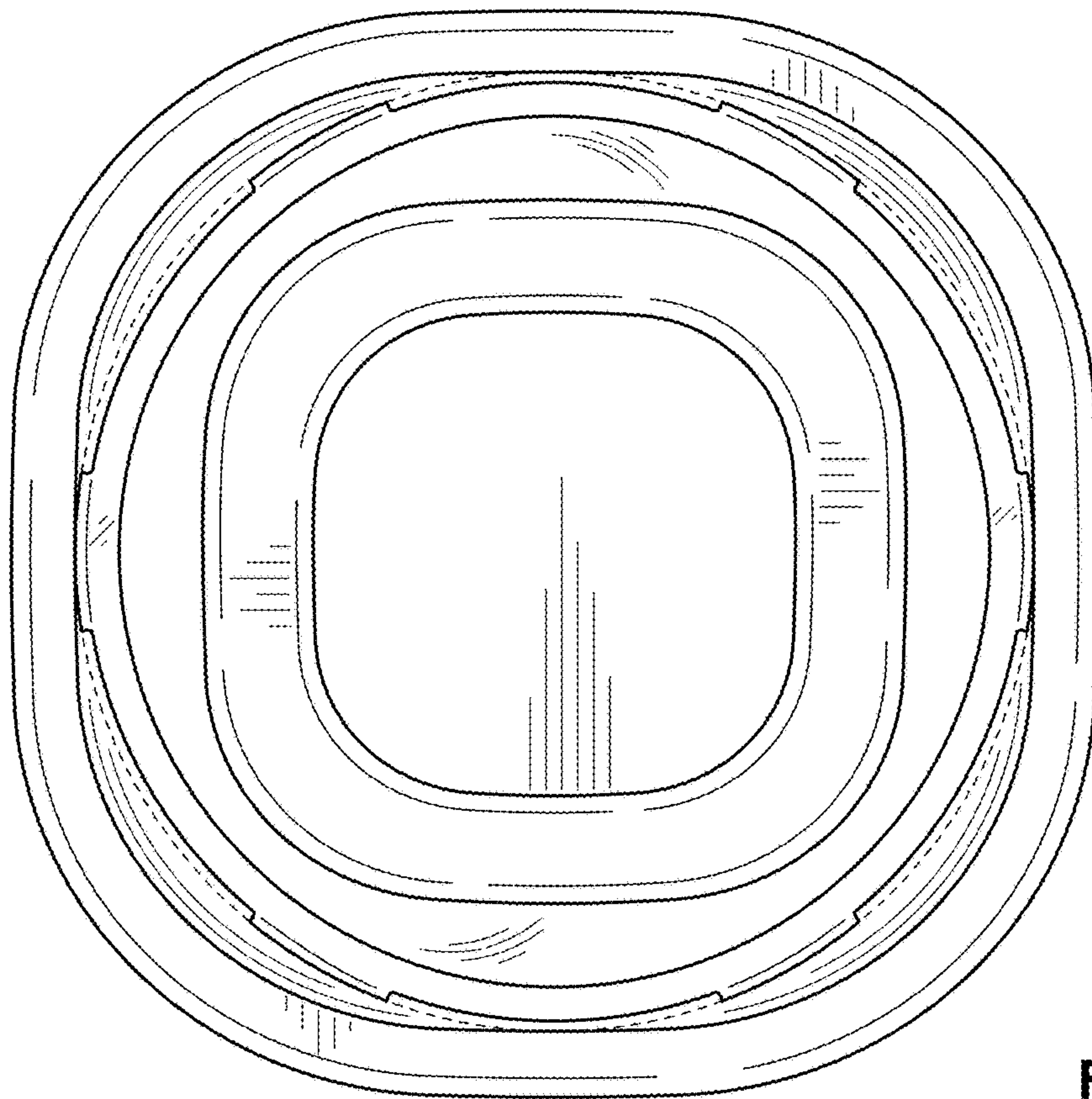


FIG. 7

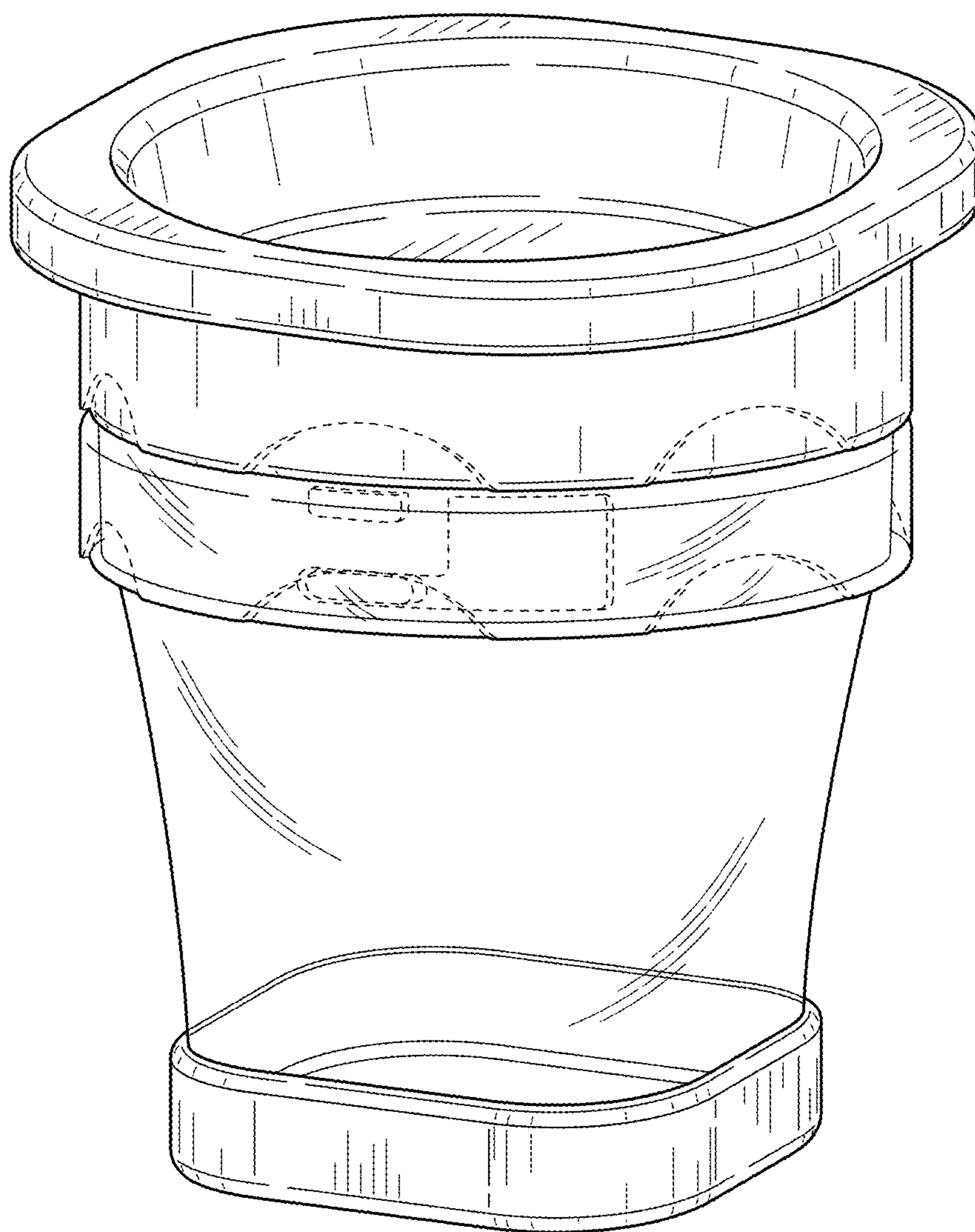


FIG. 8

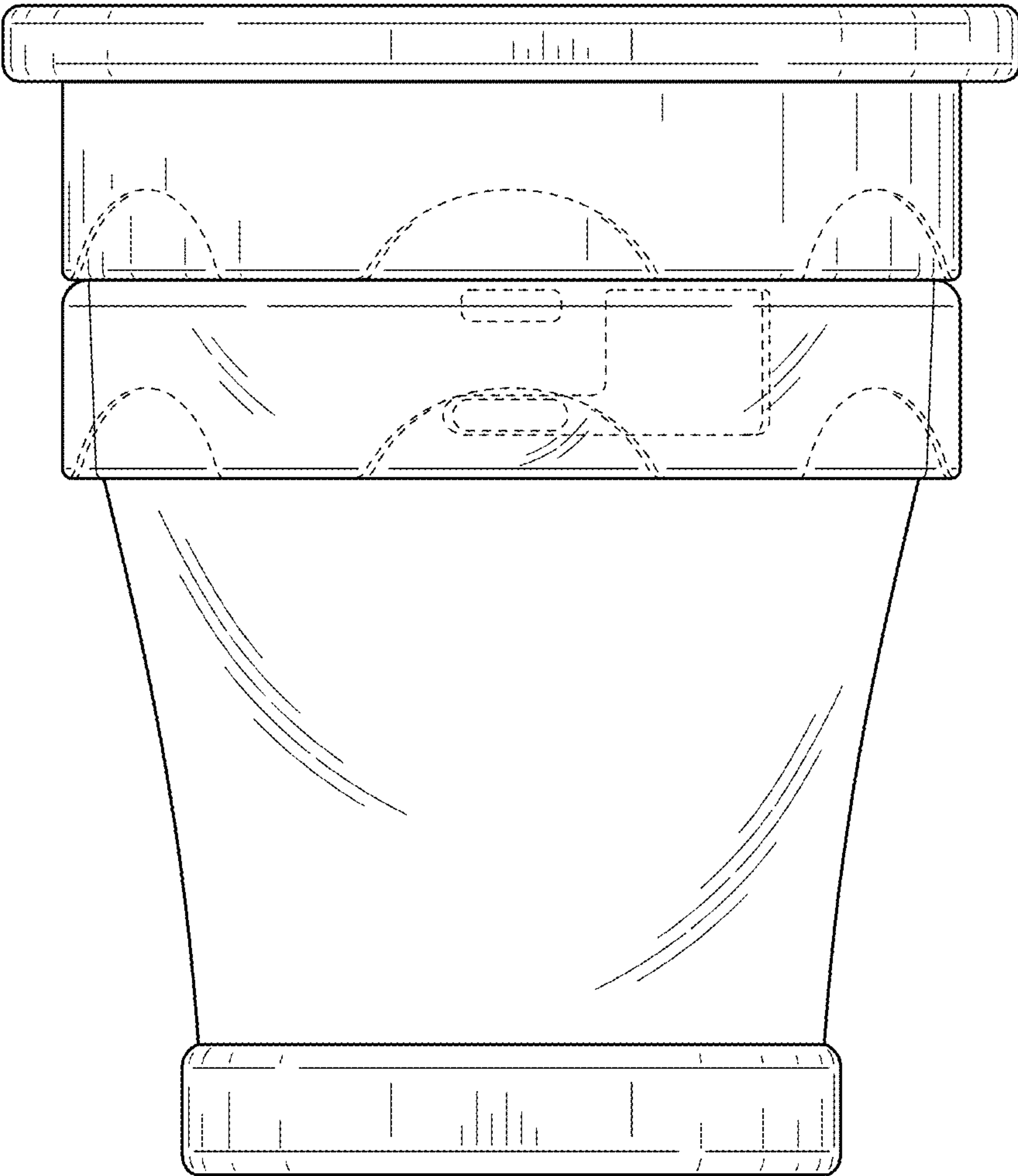


FIG. 9

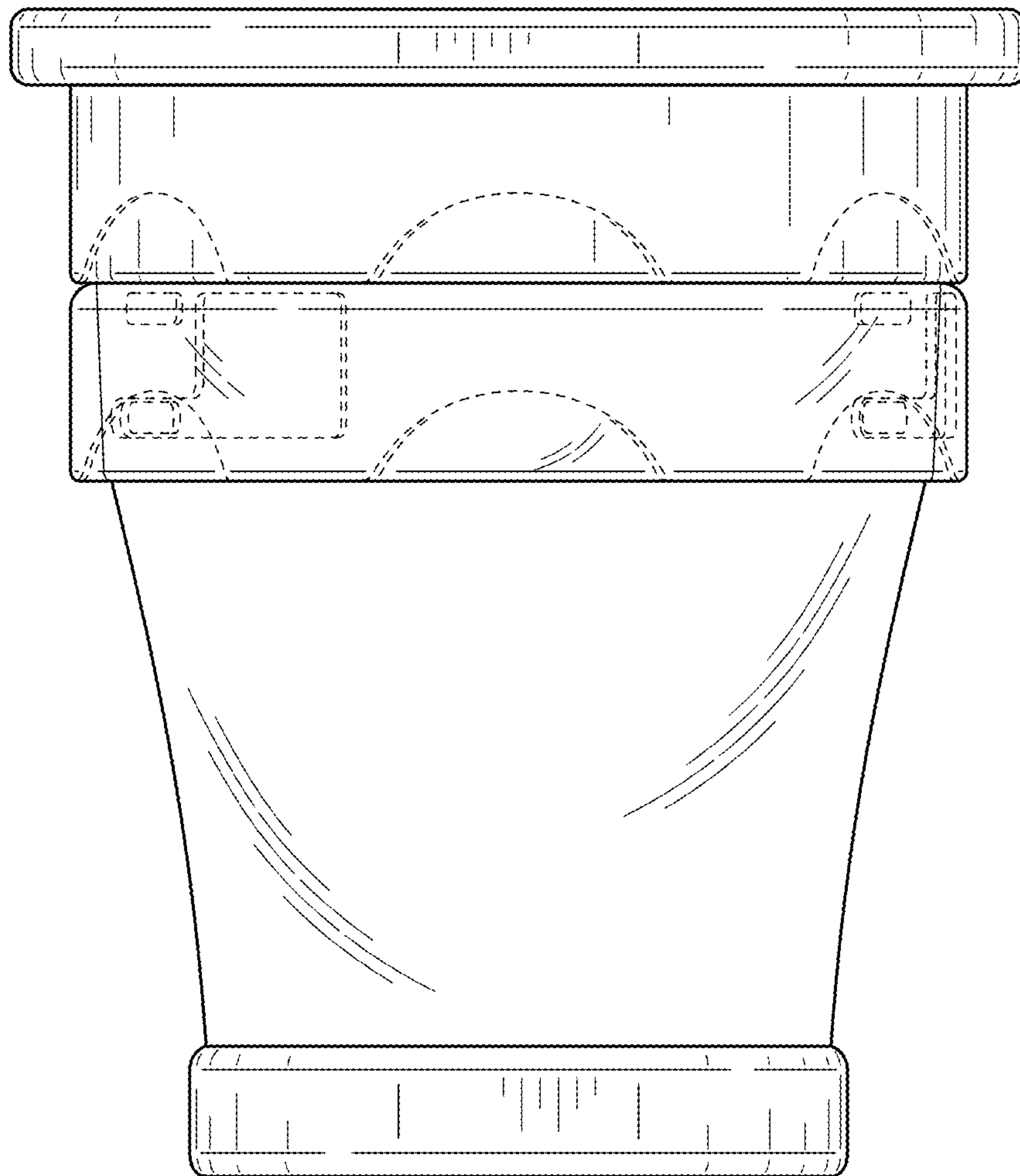


FIG. 10

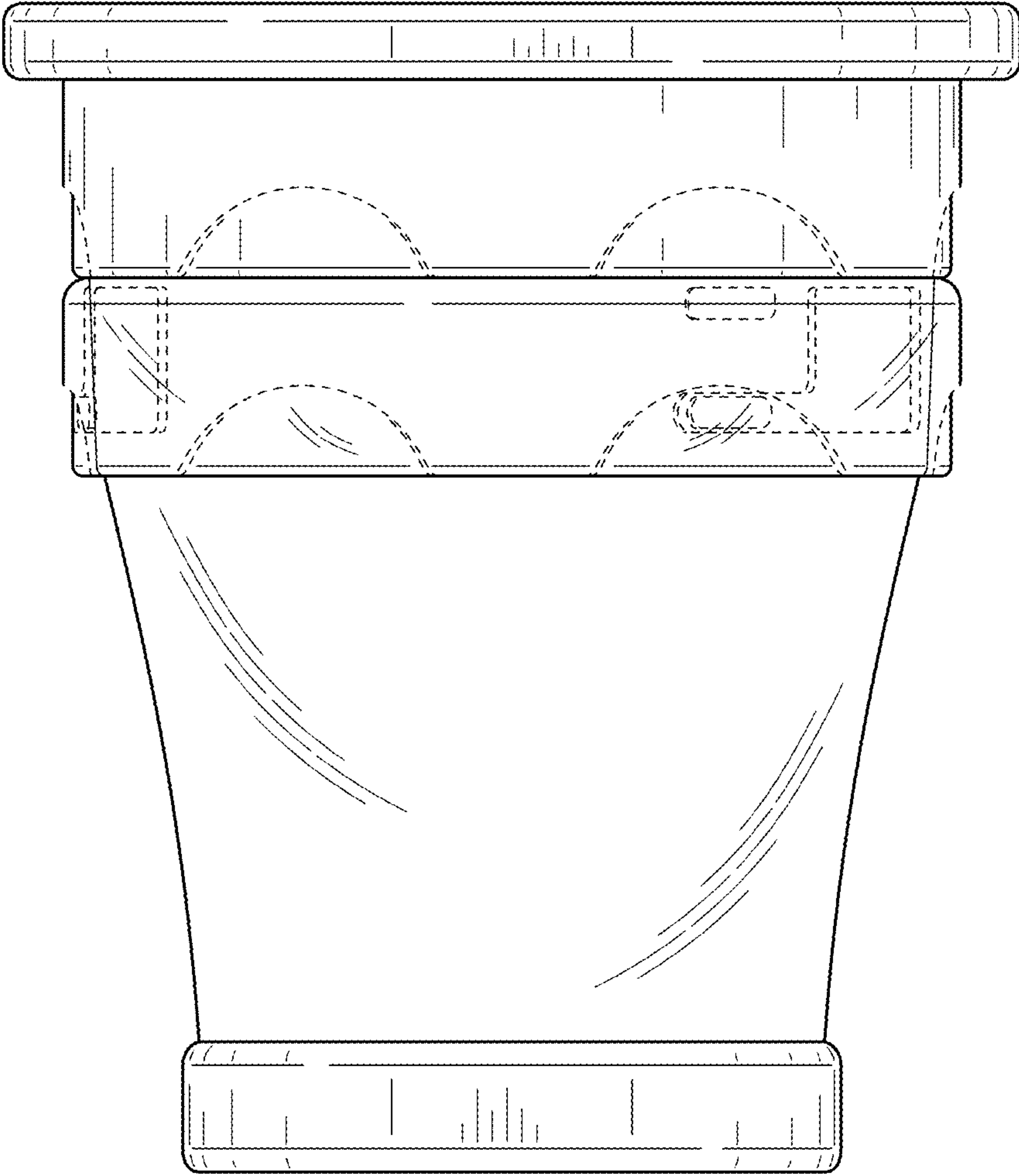


FIG. 11

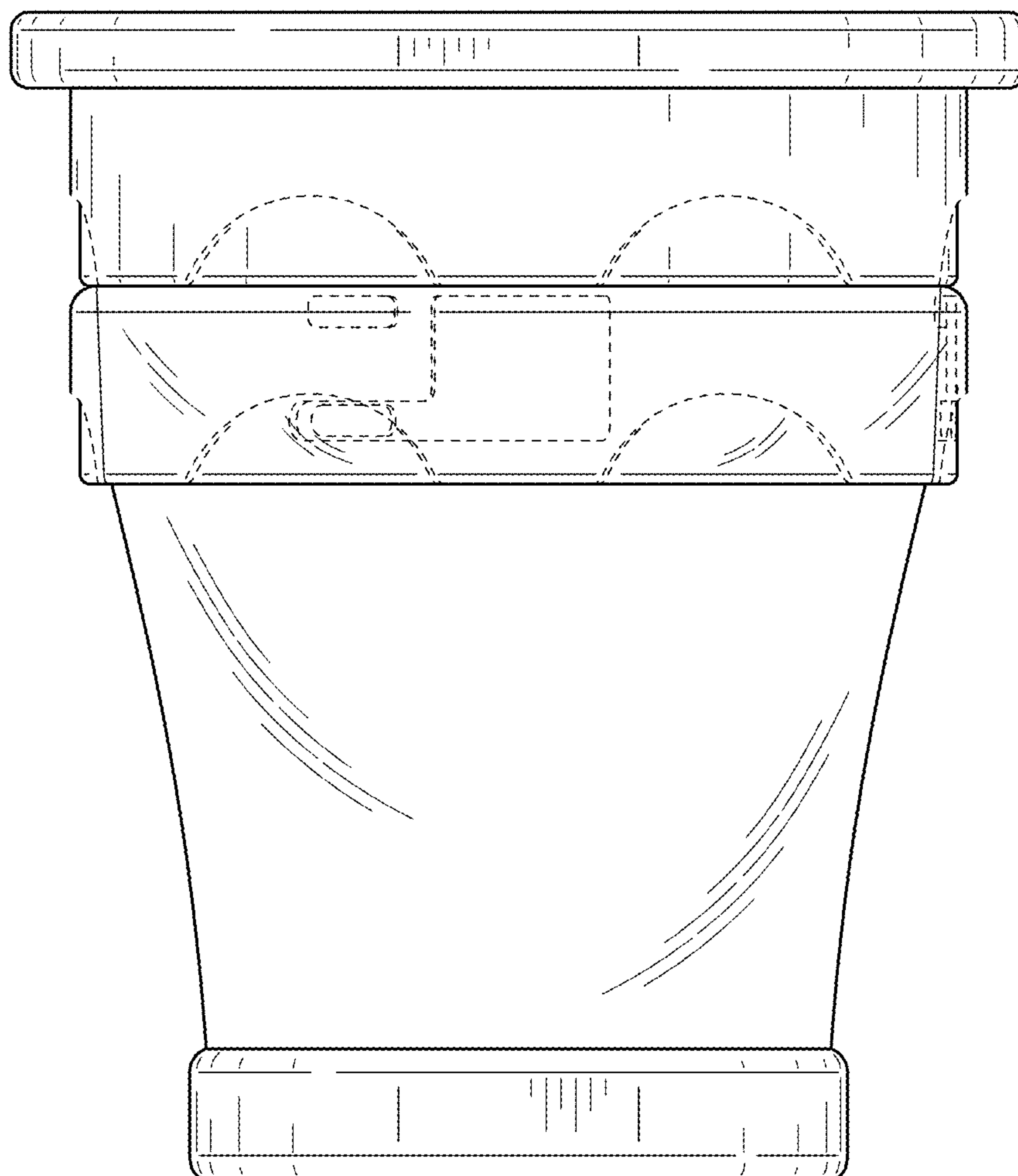


FIG. 12

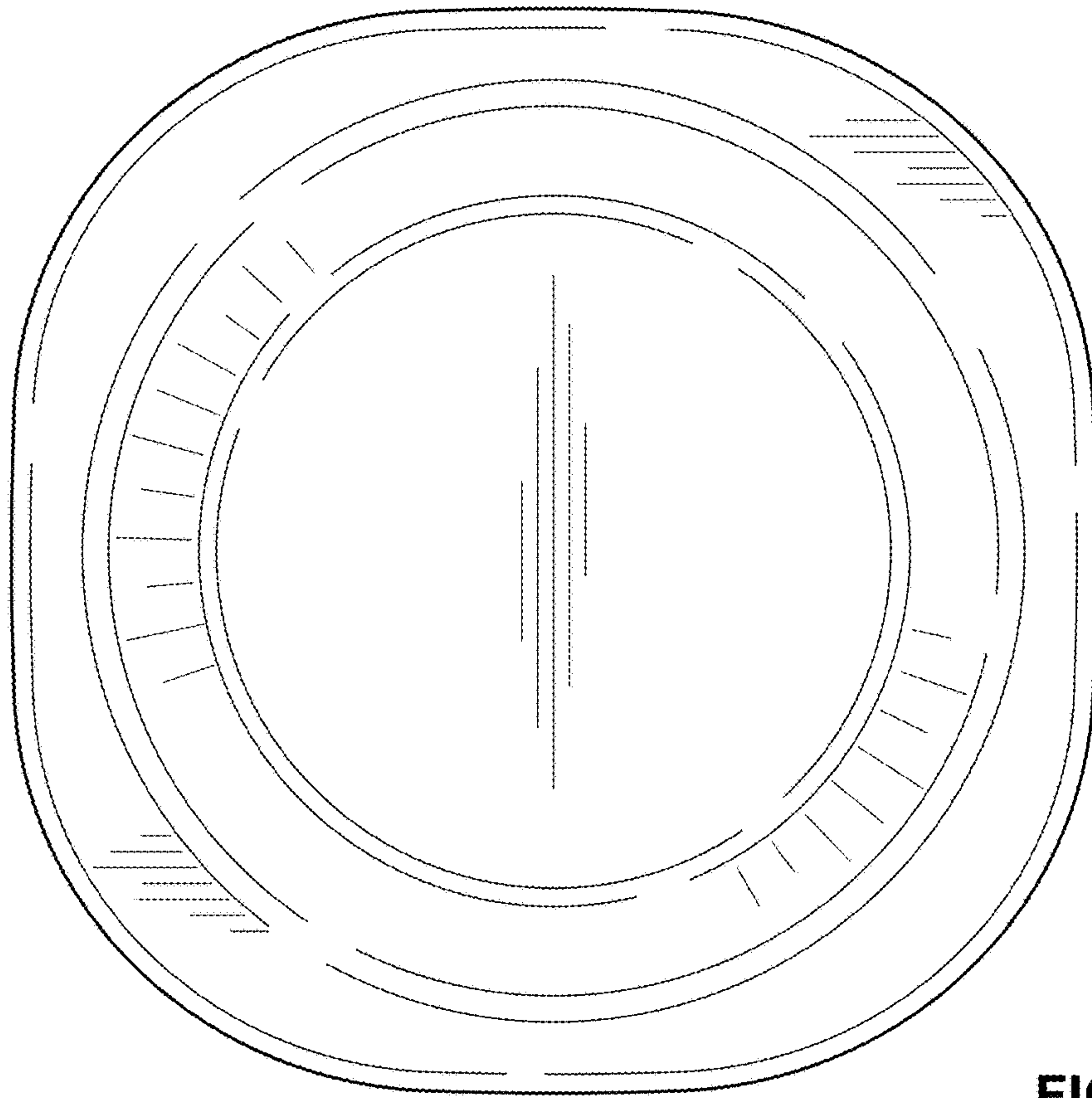


FIG. 13

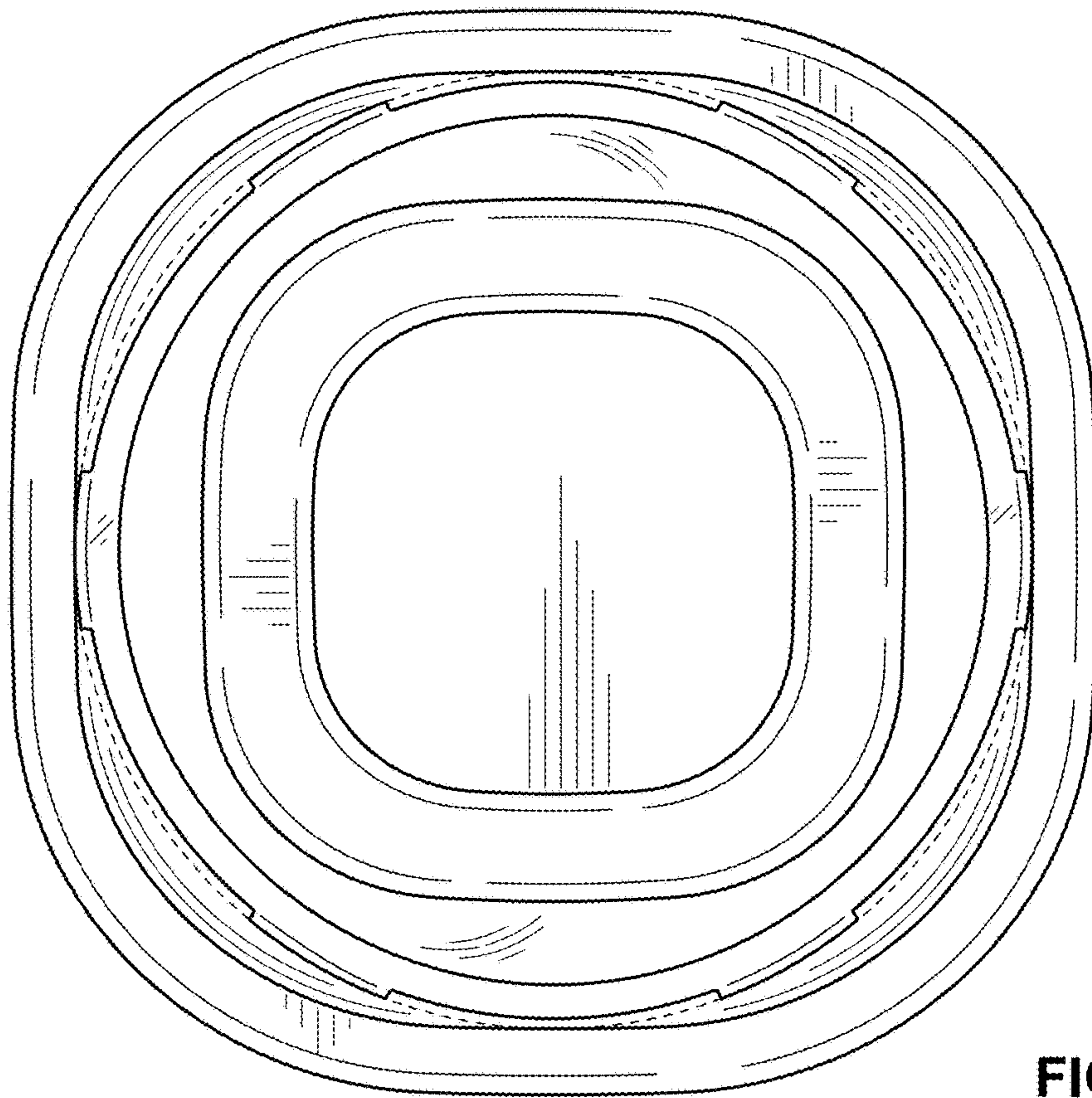


FIG. 14