



US00D815887S

(12) **United States Design Patent** (10) **Patent No.:** **US D815,887 S**
Huang et al. (45) **Date of Patent:** **** Apr. 24, 2018**

(54) **BLENDER**

13/1835; B28C 5/10; B28C 5/12; B28C 5/14; B28C 5/16

See application file for complete search history.

(71) Applicant: **Ningbo Borine Electric Appliance Co., Ltd.**, Ningbo, Zhejiang (CN)

(56) **References Cited**

(72) Inventors: **Zuming Huang**, Zhejiang (CN);
Zhineng Zhong, Zhejiang (CN)

U.S. PATENT DOCUMENTS

(73) Assignee: **Ningbo Borine Electric Appliance Co., Ltd.**, Ningbo (CN)

D642,858	S	*	8/2011	Lazzer	D7/376
D731,235	S	*	6/2015	Bradley	D7/376
D769,061	S	*	10/2016	Diderotto	D7/376
D782,865	S	*	4/2017	Bazzicalupo	D7/376
9,855,535	B2	*	1/2018	Arnett	B01F 7/162
2006/0261066	A1	*	11/2006	Boozer	A47J 36/10
						220/254.7
2011/0108647	A1	*	5/2011	Buzian	A47J 43/042
						241/98
2012/0206995	A1	*	8/2012	Wu	F16P 3/08
						366/205

(**) Term: **15 Years**

(21) Appl. No.: **29/609,186**

(Continued)

(22) Filed: **Jun. 28, 2017**

FOREIGN PATENT DOCUMENTS

(30) **Foreign Application Priority Data**

CN	204722839	*	10/2015
TW	446589	*	2/2013

May 3, 2017 (CN) 2017 3 0157506

(51) **LOC (11) Cl.** **31-00**

(52) **U.S. Cl.**
USPC **D7/378**

(58) **Field of Classification Search**
USPC D7/306-309, 368, 372-373, 376-386,
D7/391, 397, 412-415, 507, 602, 607,
D7/624.2, 629, 665-666, 669, 679, 688,
D7/693-694

CPC .. A47J 43/04; A47J 43/25; A47J 43/27; A47J
43/042; A47J 43/044; A47J 43/046; A47J
43/075; A47J 43/0722; A47J 43/0727;
A47J 42/40; A21C 1/02; A21C 1/04;
A23G 9/045; A23N 1/00; A23N 1/02;
B01F 3/00; B01F 3/0807; B01F 3/0853;
B01F 13/0059; B01F 13/0064; B02C
1/08; B02C 2/04; B02C 4/42; B02C
4/142; B02C 4/143; B02C 4/423; B02C

OTHER PUBLICATIONS

Multi-Function Blender, Posted 2018 [Online], Retrieved Feb. 13, 2018, Retrieved From Internet, <<http://bestseller.manufacturer.globalsources.com/si/6008845062069/pdtl/Countertop-blender/1149618888/Multi-function-blender.htm>>.*

Primary Examiner — Barbara Fox
Assistant Examiner — Messina L Smith

(57) **CLAIM**

The ornamental design for a blender, as shown and described.

DESCRIPTION

FIG. 1 is a front elevational view of a blender showing our new design;
FIG. 2 is a rear elevational view thereof;
FIG. 3 is a left side view thereof;
FIG. 4 is a right side view thereof;

(Continued)

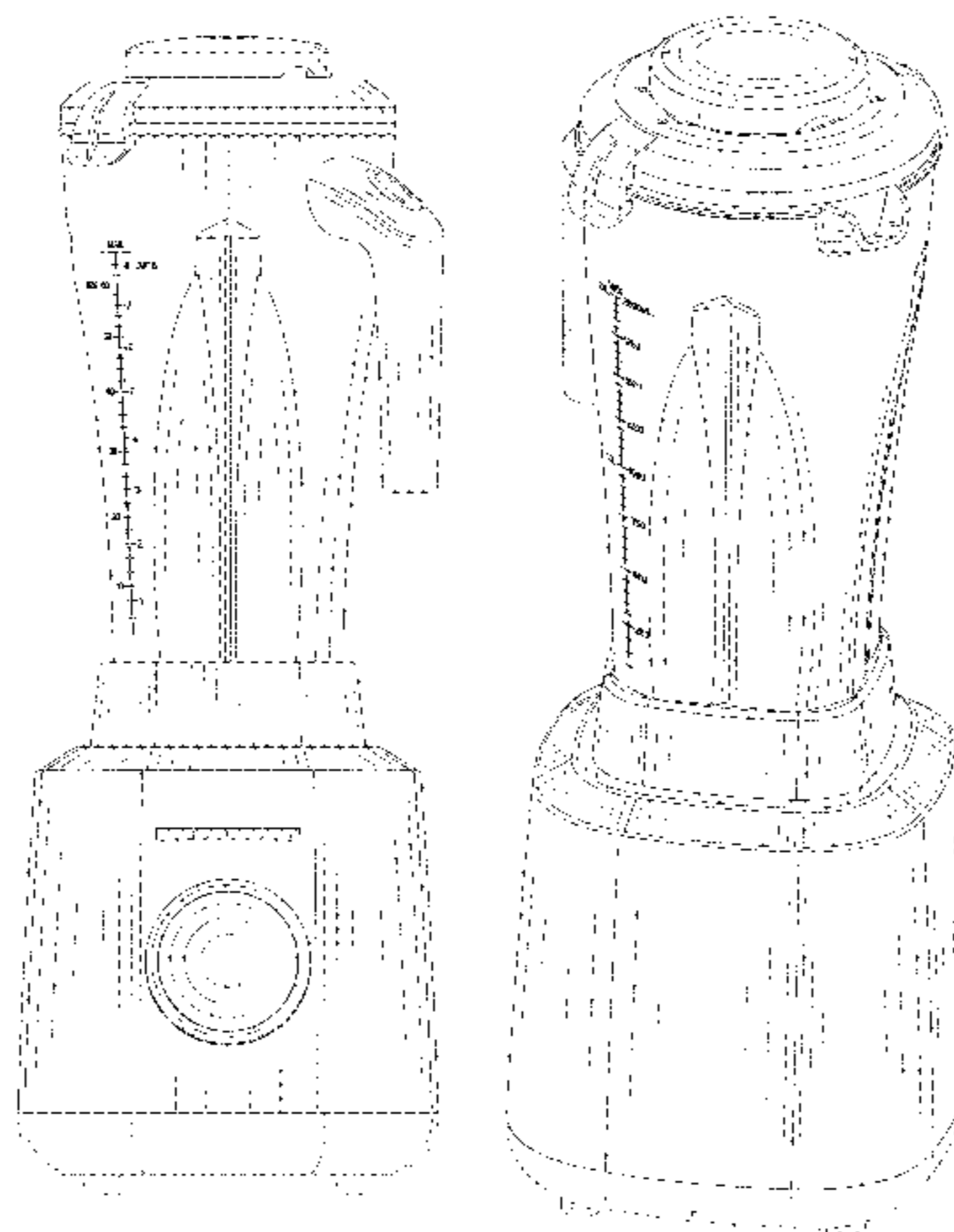


FIG. 5 is a top plan view thereof;
FIG. 6 is a first perspective view thereof; and,
FIG. 7 is a second perspective view thereof.
The broken lines in the drawings illustrate portions of the
blender which form no part of the claimed design.

1 Claim, 7 Drawing Sheets

(56)

References Cited

U.S. PATENT DOCUMENTS

2014/0084094	A1 *	3/2014	Lee	A47J 43/046 241/101.3
2016/0143483	A1 *	5/2016	Boozer	A47J 43/046 366/314
2017/0303744	A1 *	10/2017	Sutton	A47J 43/0772
2018/0008097	A1 *	1/2018	Mehlman	A47J 43/046

* cited by examiner

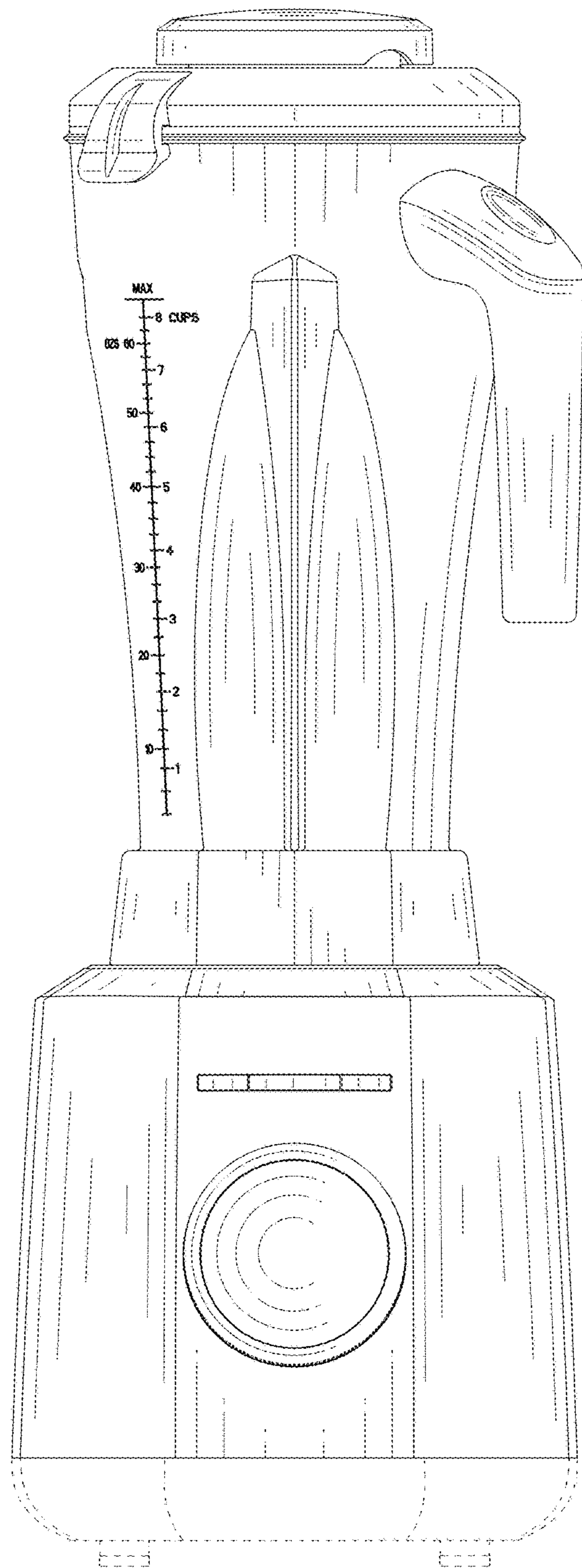


FIG. 1

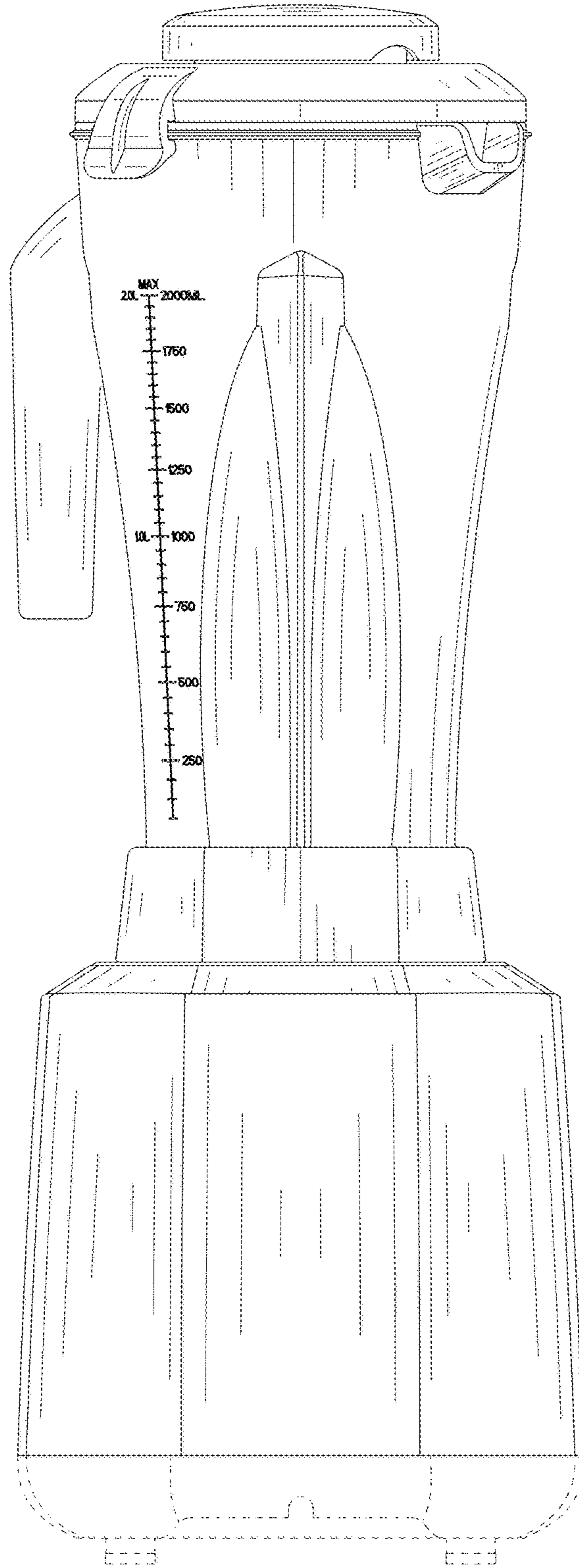


FIG. 2

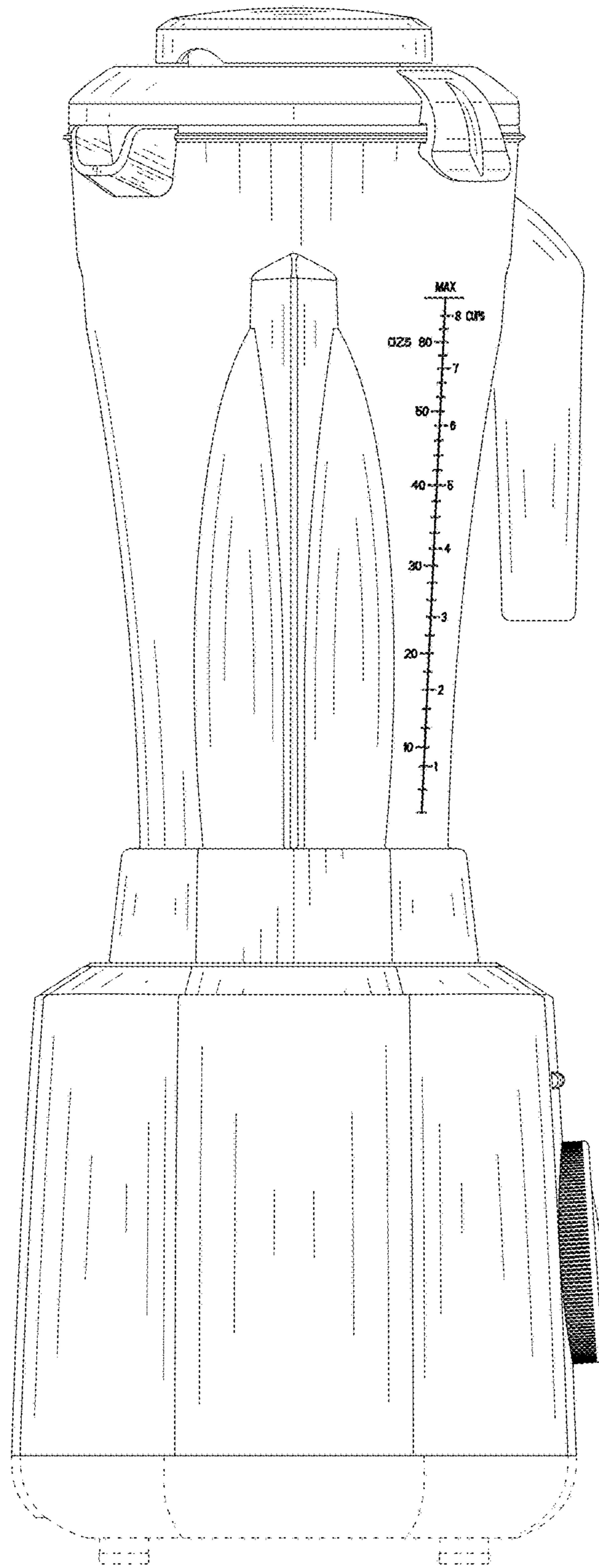


FIG. 3

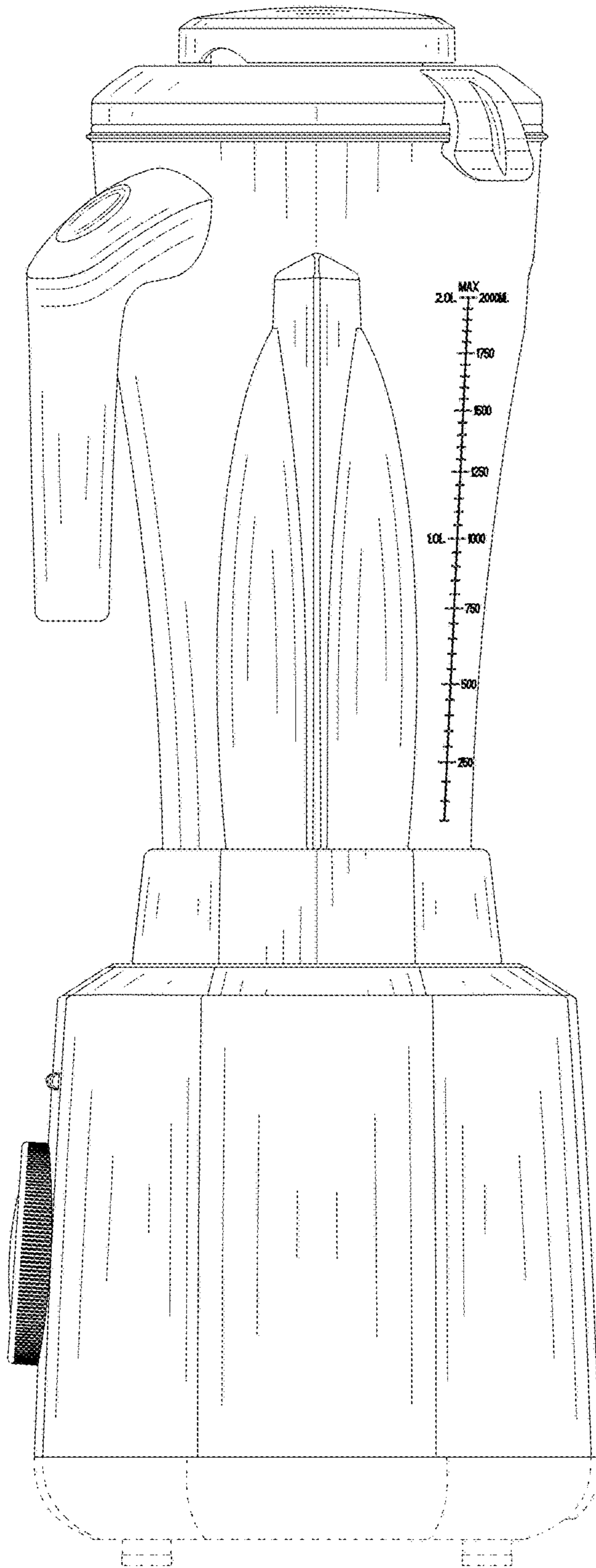


FIG. 4

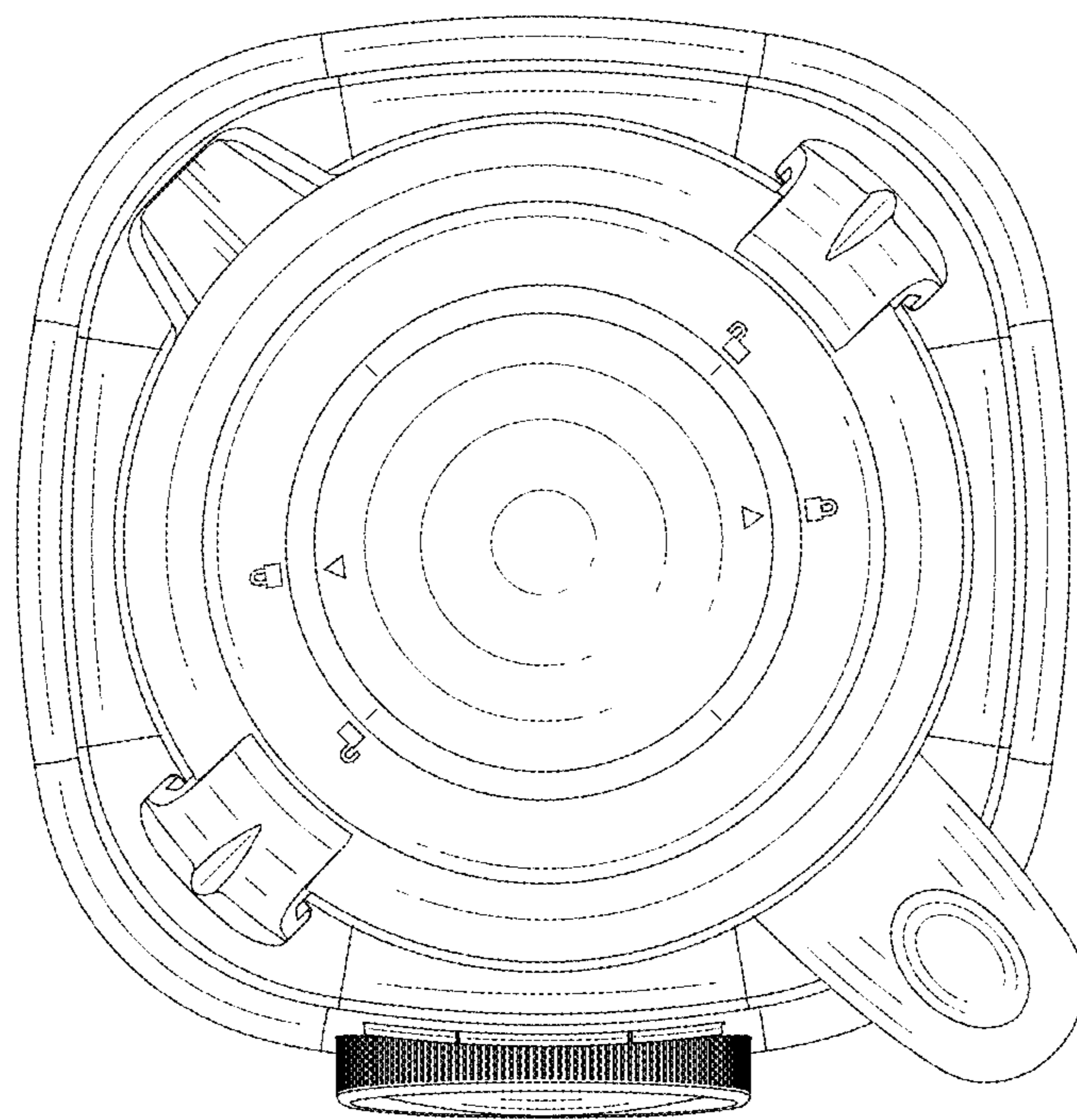


FIG. 5

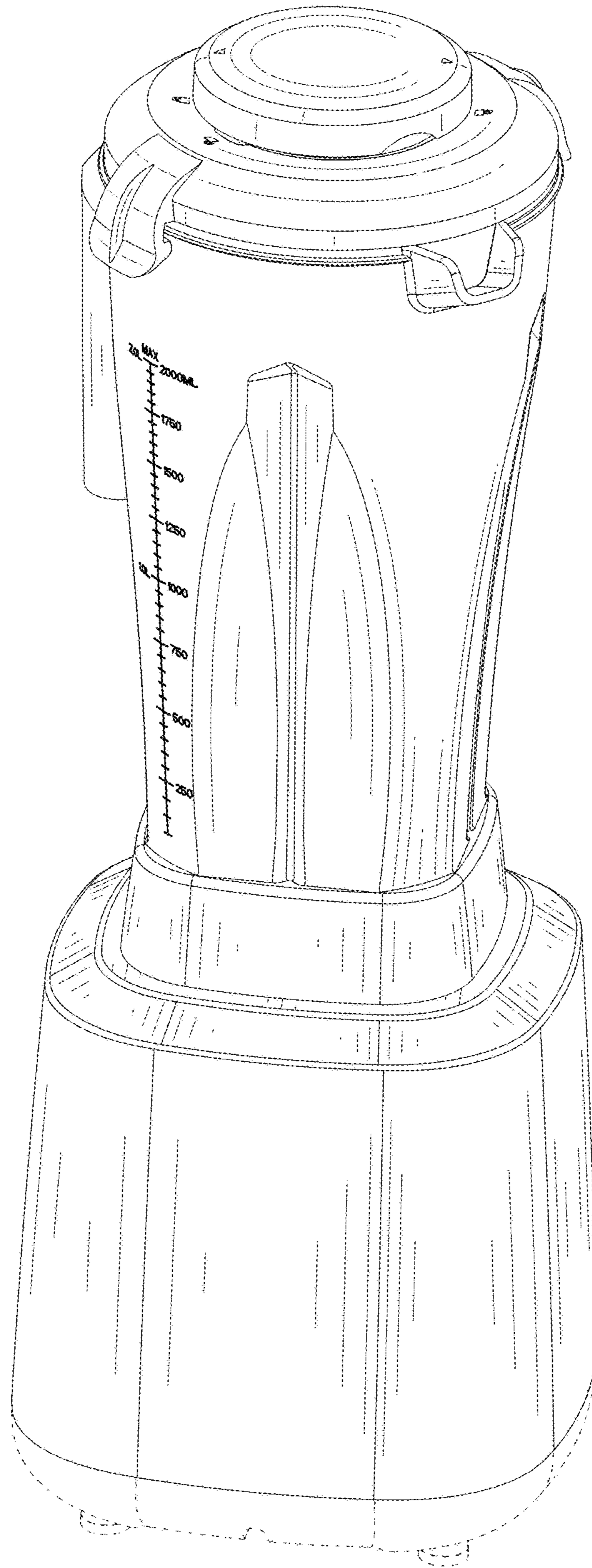


FIG. 6

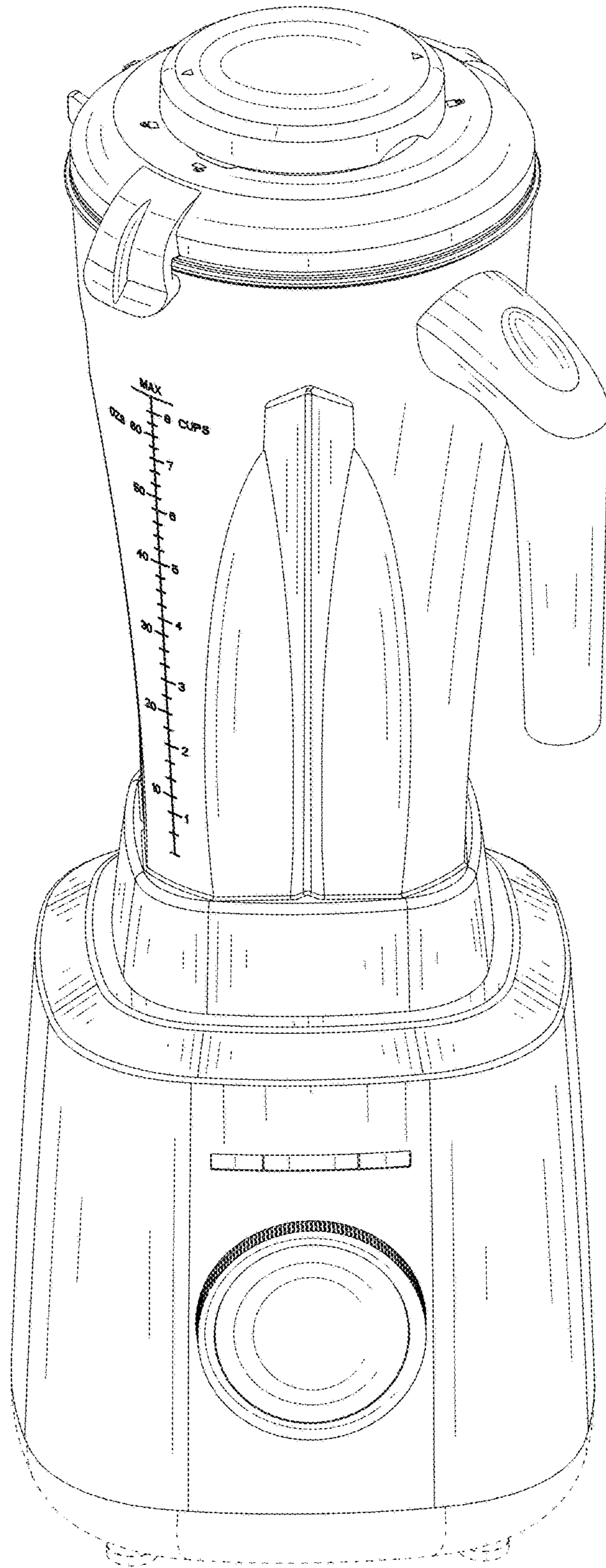


FIG. 7