



US00D815886S

(12) **United States Design Patent**
Huang et al.

(10) **Patent No.:** **US D815,886 S**
(45) **Date of Patent:** **** Apr. 24, 2018**

- (54) **BLENDER**
- (71) Applicant: **Ningbo Borine Electric Appliance Co., Ltd.**, Ningbo, Zhejiang (CN)
- (72) Inventors: **Zuming Huang**, Zhejiang (CN); **Zhineng Zhong**, Zhejiang (CN)
- (73) Assignee: **Ningbo Borine Electric Appliance Co., Ltd.**, Ningbo (CN)
- (**) Term: **15 Years**
- (21) Appl. No.: **29/609,028**
- (22) Filed: **Jun. 27, 2017**

(30) **Foreign Application Priority Data**

May 3, 2017 (CN) 2017 3 0157294

(51) **LOC (11) Cl.** **31-00**

(52) **U.S. Cl.**
USPC **D7/378**

(58) **Field of Classification Search**

USPC D7/306-309, 368, 372-373, 376-386, D7/391, 397, 412-415, 507, 602, 607, D7/624.2, 629, 665-666, 669, 679, 688, D7/693-694

CPC .. A47J 43/04; A47J 43/25; A47J 43/27; A47J 43/042; A47J 43/044; A47J 43/046; A47J 43/075; A47J 43/0722; A47J 43/0727; A47J 42/40; A21C 1/02; A21C 1/04; A23G 9/045; A23N 1/00; A23N 1/02; B01F 3/00; B01F 3/0807; B01F 3/0853; B01F 13/0059; B01F 13/0064; B02C 1/08; B02C 2/04; B02C 4/42; B02C 4/142; B02C 4/143; B02C 4/423; B02C 13/1835; B28C 5/10; B28C 5/12; B28C 5/14; B28C 5/16

See application file for complete search history.

(56) **References Cited**

U.S. PATENT DOCUMENTS

- D204,924 S * 5/1966 Di Sesa D7/378
- D642,858 S * 8/2011 Lazzar D7/376

- D731,235 S * 6/2015 Bradley D7/376
- D769,061 S * 10/2016 Diderotto D7/376
- D782,865 S * 4/2017 Bazzicalupo D7/376
- 9,855,535 B2 * 1/2018 Arnett B01F 7/162
- 2006/0261066 A1 * 11/2006 Boozer A47J 36/10
220/254.7
- 2012/0206995 A1 * 8/2012 Wu F16P 3/08
366/205

(Continued)

FOREIGN PATENT DOCUMENTS

- CN 204722839 * 10/2015
- TW 446589 * 2/2013

OTHER PUBLICATIONS

Multi-Function Blender, Posted 2018 [Online], Retrieved Feb. 13, 2018, Retrieved From Internet, <<http://bestseller.manufacturer.globalsources.com/si/6008845062069/pdtl/Countertop-blender/1149618888/Multi-function-blender.htm>>.*

Primary Examiner — Barbara Fox
Assistant Examiner — Messina L Smith

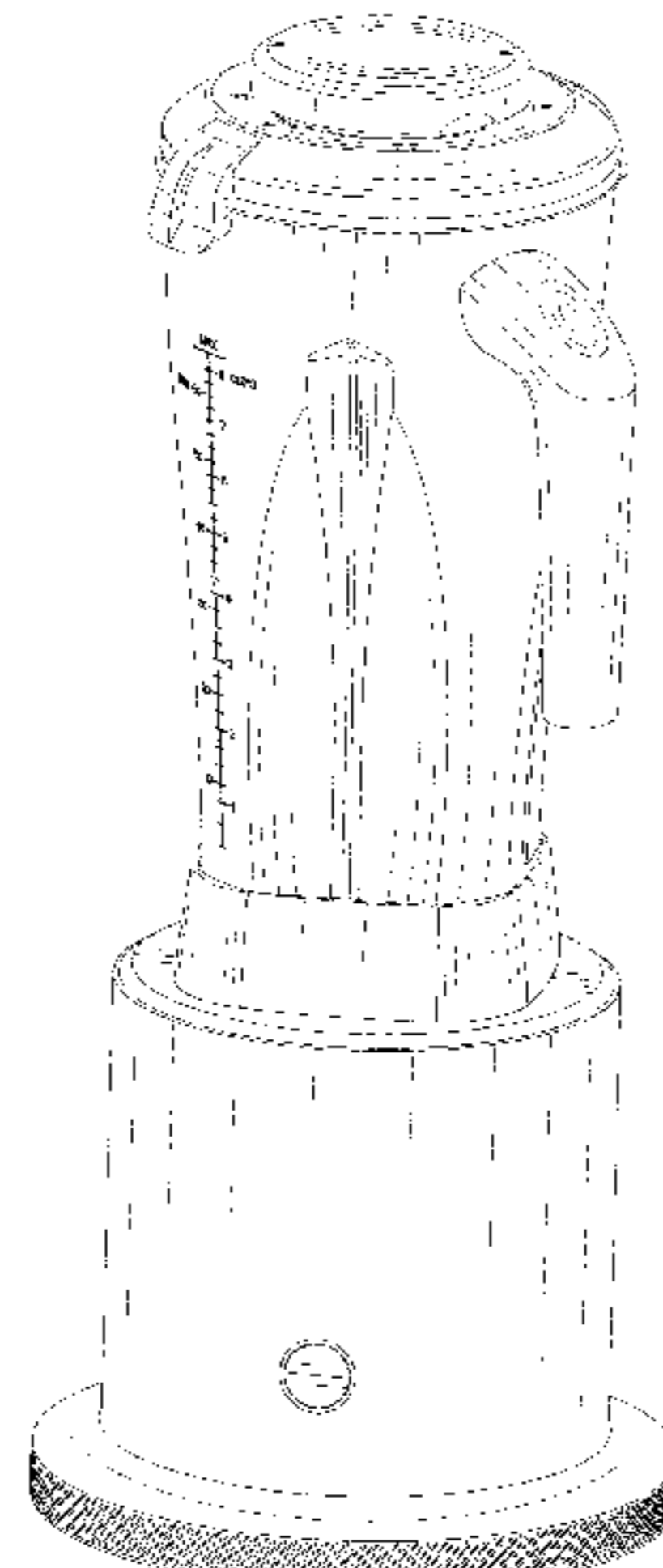
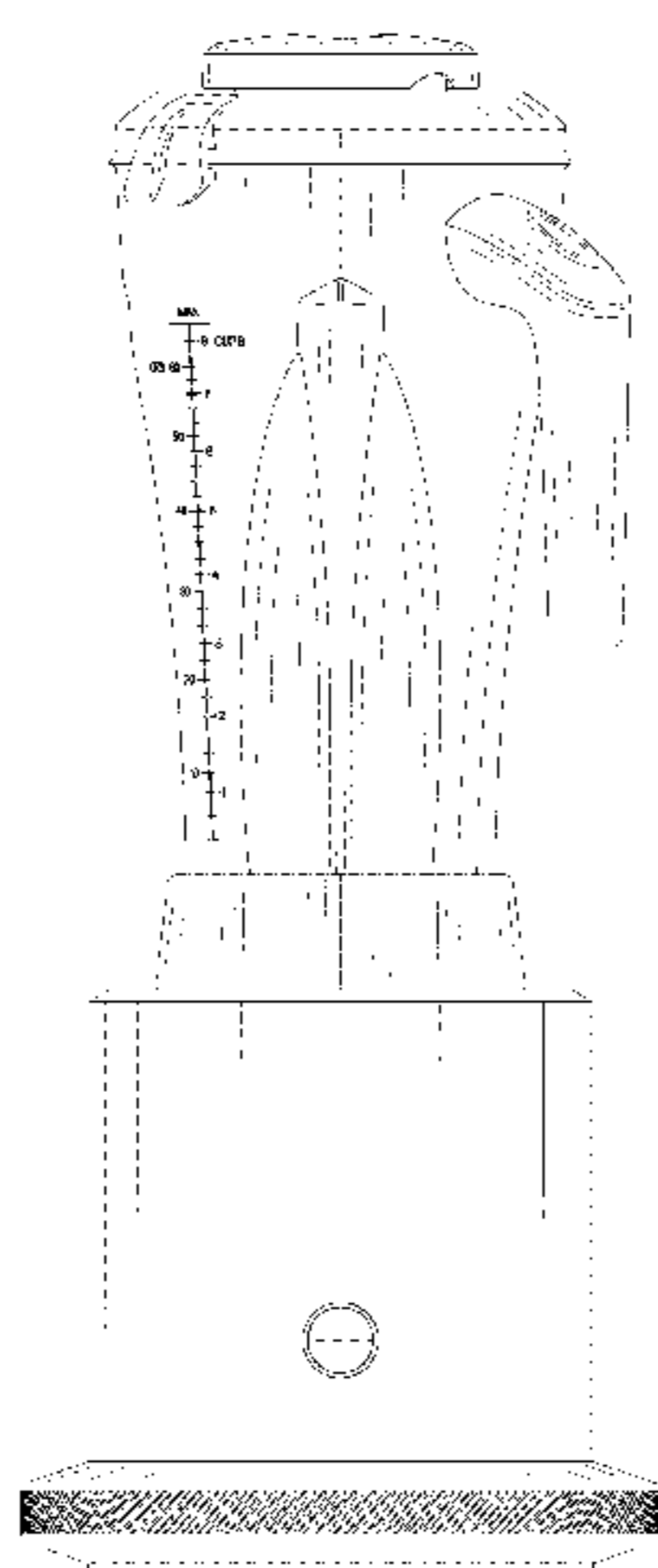
(57) **CLAIM**

The ornamental design for a blender, as shown and described.

DESCRIPTION

FIG. 1 is a front elevational view of a blender showing our new design;
FIG. 2 is a rear elevational view thereof;
FIG. 3 is a left side view thereof;
FIG. 4 is a right side view thereof;
FIG. 5 is a top plan view thereof;
FIG. 6 is a first perspective view thereof; and,
FIG. 7 is a second perspective view thereof.
The broken lines in the drawings illustrate portions of the blender which form no part of the claimed design.

1 Claim, 7 Drawing Sheets



(56)

References Cited

U.S. PATENT DOCUMENTS

2014/0084094 A1* 3/2014 Lee A47J 43/046
241/101.3
2016/0143483 A1* 5/2016 Boozer A47J 43/046
366/314
2018/0008097 A1* 1/2018 Mehlman A47J 43/046

* cited by examiner

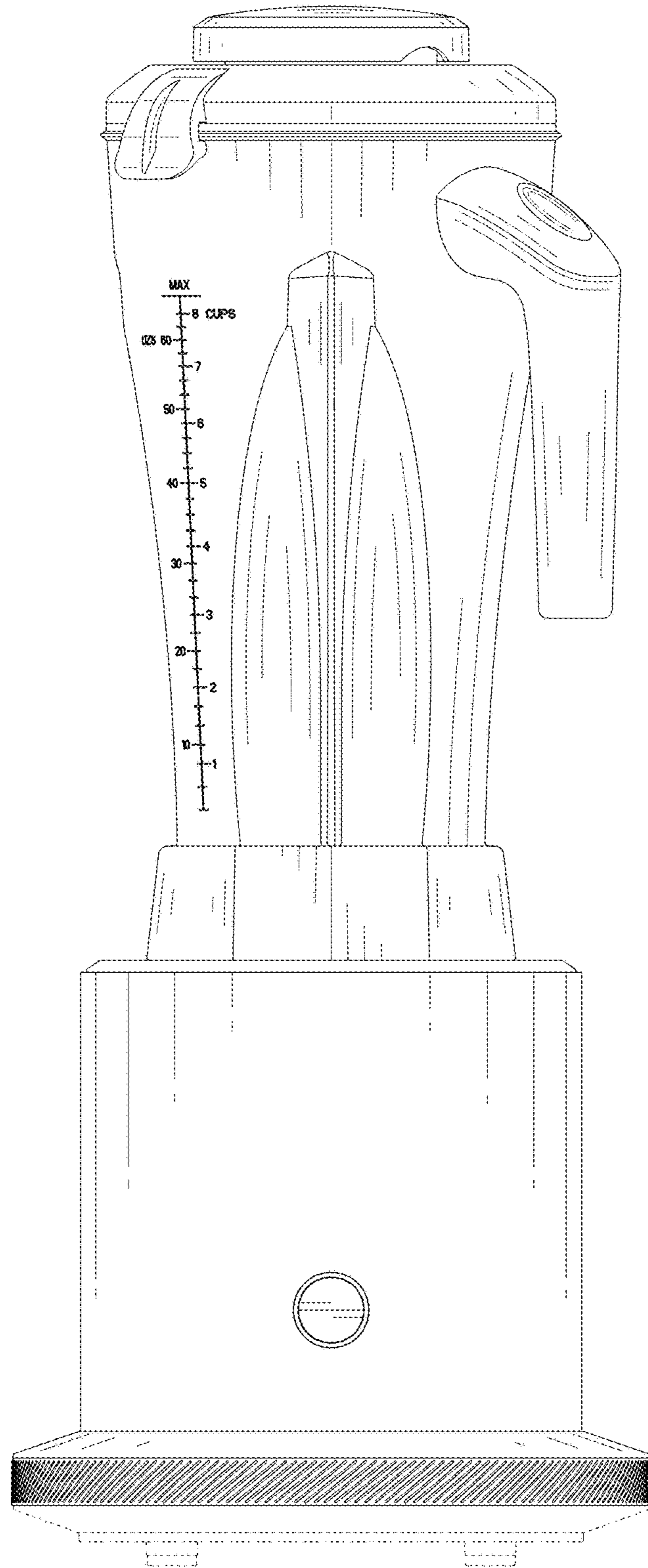


FIG. 1

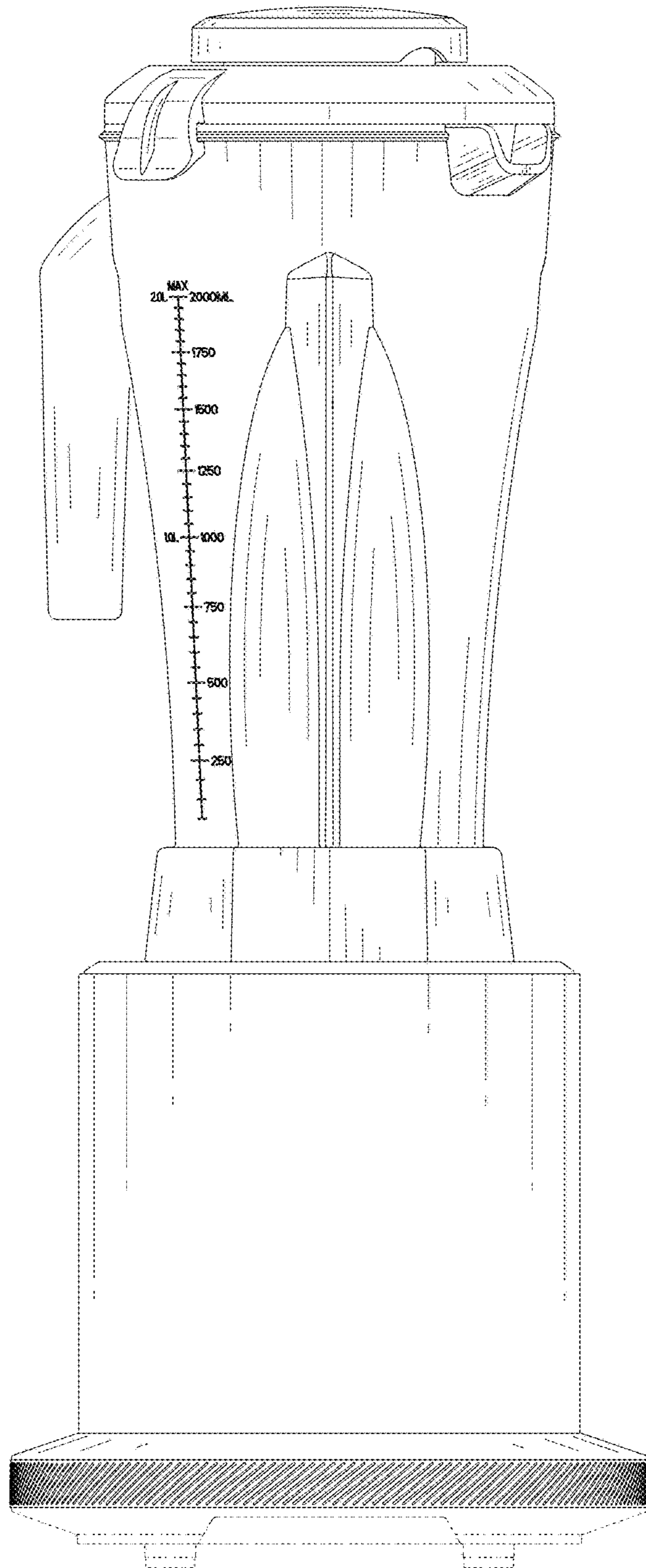


FIG. 2

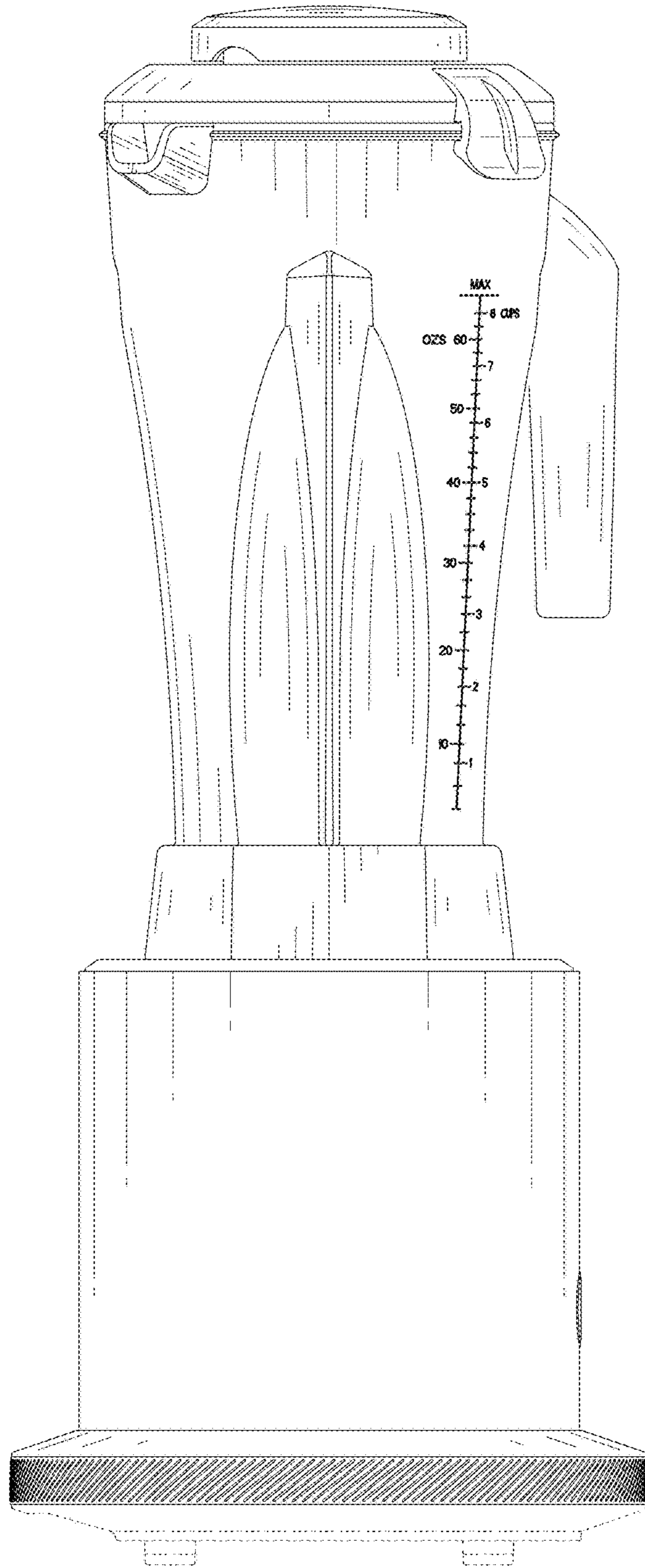


FIG. 3

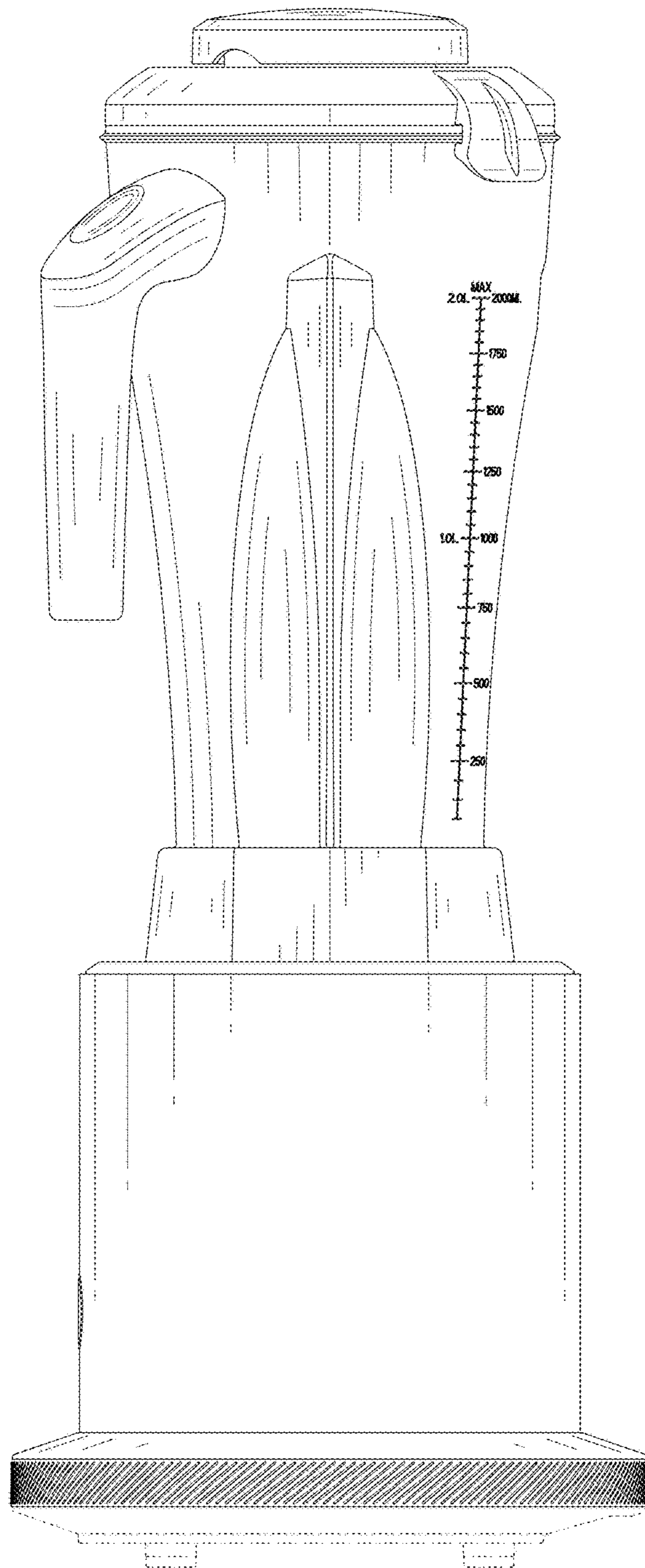


FIG. 4

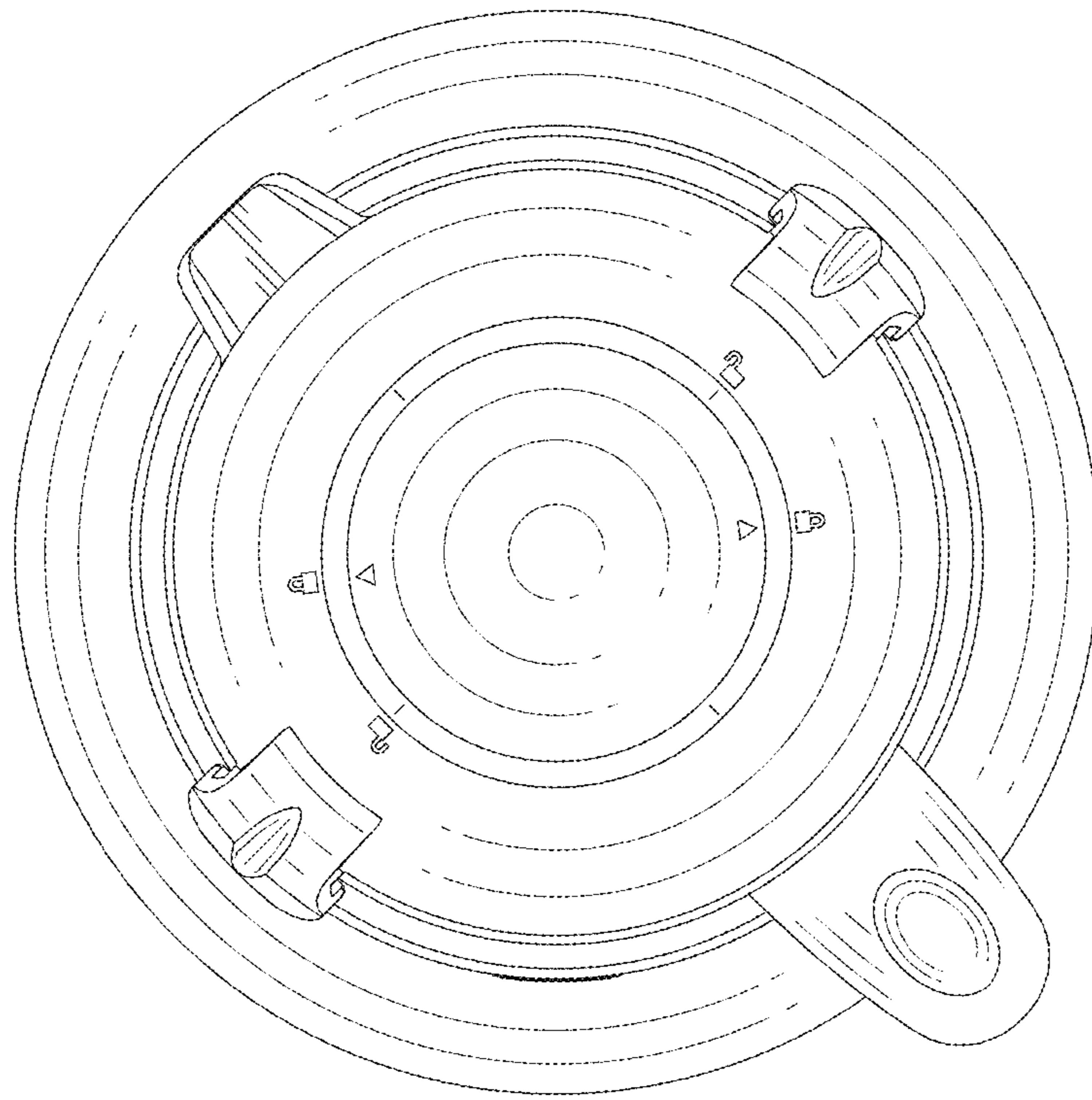


FIG. 5

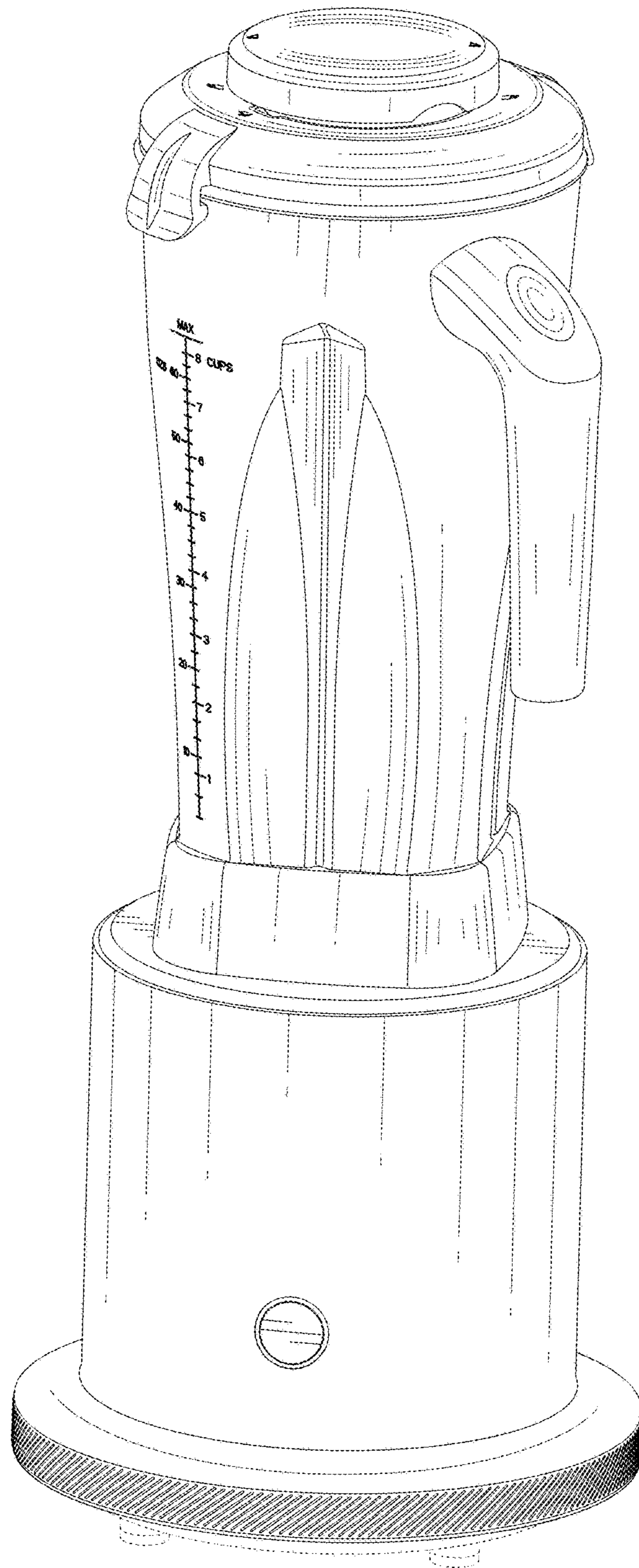


FIG. 6

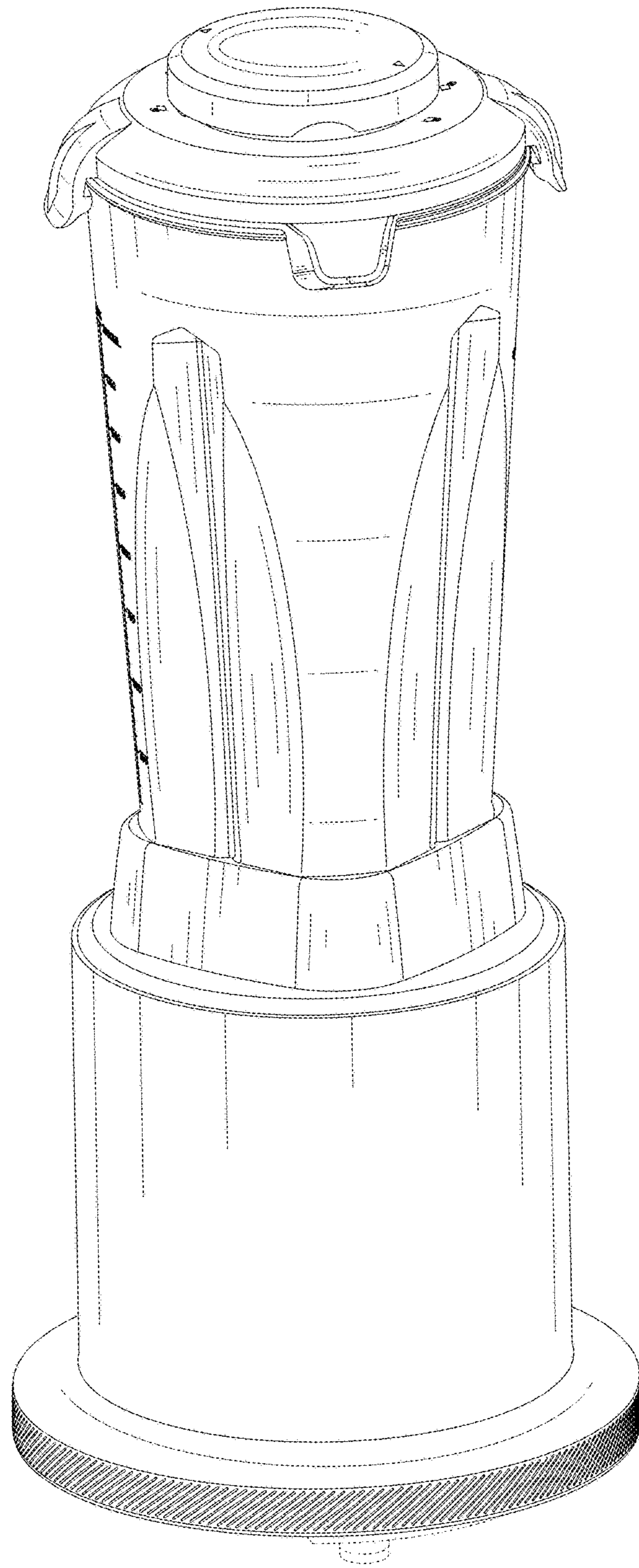


FIG. 7