



US00D815885S

(12) **United States Design Patent**
Lee et al.

(10) **Patent No.:** **US D815,885 S**
(45) **Date of Patent:** **** Apr. 24, 2018**

(54) **INDUCTION HEATING RANGE**
(71) Applicant: **LG ELECTRONICS INC.**, Seoul (KR)
(72) Inventors: **Hophil Lee**, Seoul (KR); **Hyunjin Yoon**, Seoul (KR); **Euiseok Lee**, Seoul (KR)
(73) Assignee: **LG Electronics Inc.**, Seoul (KR)
(**) Term: **15 Years**
(21) Appl. No.: **35/501,548**
(22) Filed: **Mar. 10, 2016**
(80) **Hague Agreement Data**
Int. Filing Date: **Mar. 10, 2016**
Int. Reg. No.: **DM/089982**
Int. Reg. Date: **Mar. 10, 2016**
Int. Reg. Pub. Date: **Sep. 16, 2016**

D252,493 S * 7/1979 Barradas D7/356
D256,761 S * 9/1980 Martin D7/354
D257,938 S * 1/1981 Danley D7/402
4,352,324 A * 10/1982 Noh A47J 37/10
99/425
D273,168 S * 3/1984 Bowen D7/354
D292,164 S * 10/1987 Oh D7/354
D297,297 S * 8/1988 Lacey D7/354
4,768,427 A * 9/1988 Cheng A47J 36/02
126/390.1
D334,108 S * 3/1993 Fisher D7/323
D336,009 S * 6/1993 Tringali D7/367
D378,179 S * 2/1997 Gebhardt D7/363
D587,062 S * 2/2009 Ek D7/354
D600,497 S * 9/2009 Ek D7/361
D628,848 S * 12/2010 Junkins D7/354
D635,392 S * 4/2011 Shantha D7/354
D635,394 S * 4/2011 Brattoli D7/367
D648,979 S * 11/2011 Schroeder D7/354
D677,516 S * 3/2013 Cloutier D7/354

(Continued)

Primary Examiner — Sheryl Lane
Assistant Examiner — Nicole C Shiflet
(74) *Attorney, Agent, or Firm* — Birch, Stewart, Kolasch & Birch, LLP

(30) **Foreign Application Priority Data**
Sep. 17, 2015 (KR) 30-2015-0047276
(51) **LOC (11) Cl.** **07-02**
(52) **U.S. Cl.**
USPC **D7/362**
(58) **Field of Classification Search**
USPC D7/323, 327, 339, 346, 347, 350.3, 354,
D7/359-363, 367, 402
CPC H05B 6/062; H05B 6/065; H05B 1/0266;
F24C 15/103; A47J 37/10
See application file for complete search history.

(57) **CLAIM**

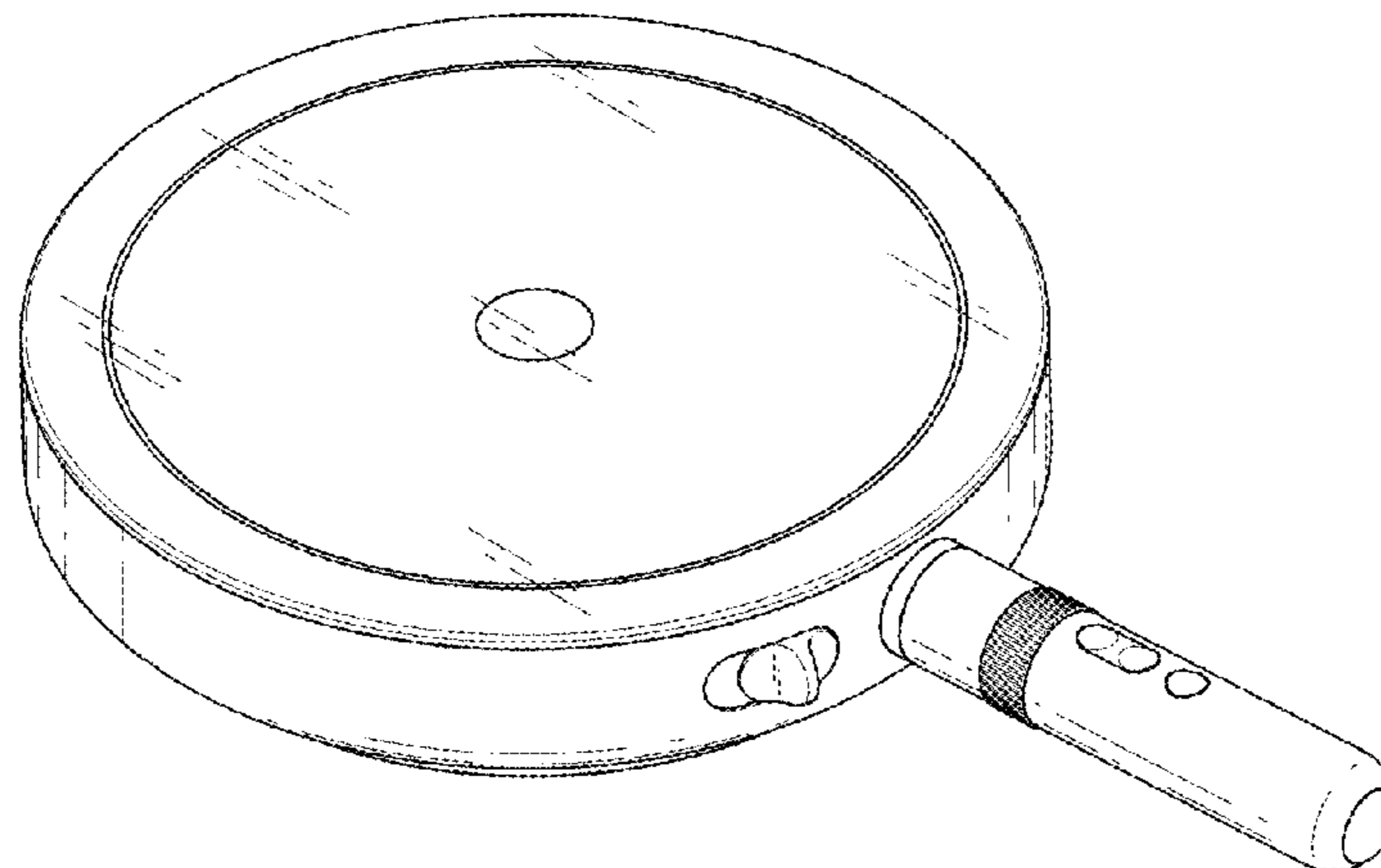
The ornamental design for an induction heating range, as shown and described.

DESCRIPTION

1. Induction heating range
1.1 : Perspective
1.2 : Front
1.3 : Back
1.4 : Left
1.5 : Right
1.6 : Top
1.7 : Bottom
1.8 : Perspective with handle removed
The broken lines showing portions of the induction heating range form no part of the claimed design.

(56) **References Cited**
U.S. PATENT DOCUMENTS
D172,840 S * 8/1954 Olswang D7/361
D246,025 S * 10/1977 Gooden D7/359
D248,207 S * 6/1978 Madl D7/359

1 Claim, 6 Drawing Sheets



(56)

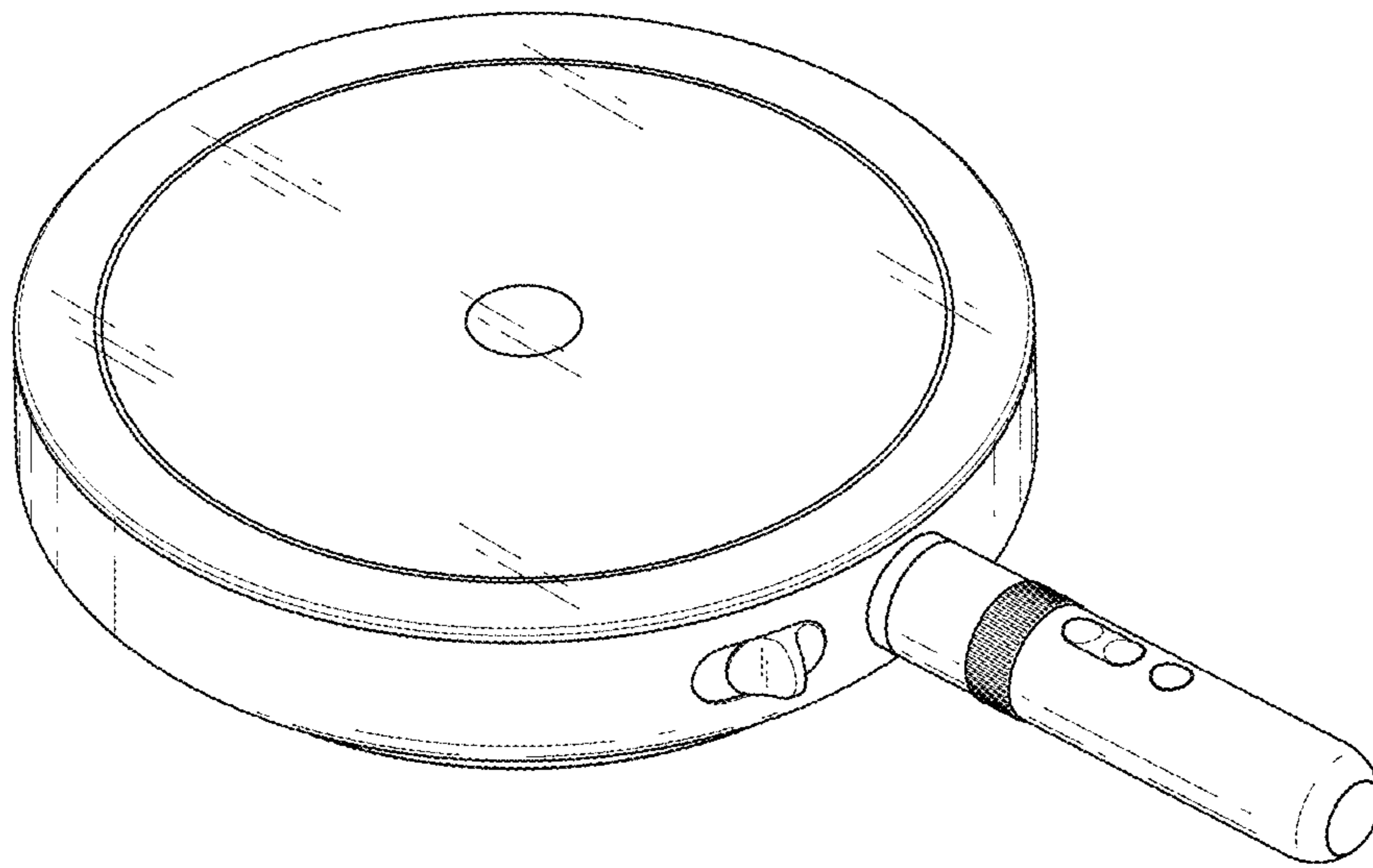
References Cited

U.S. PATENT DOCUMENTS

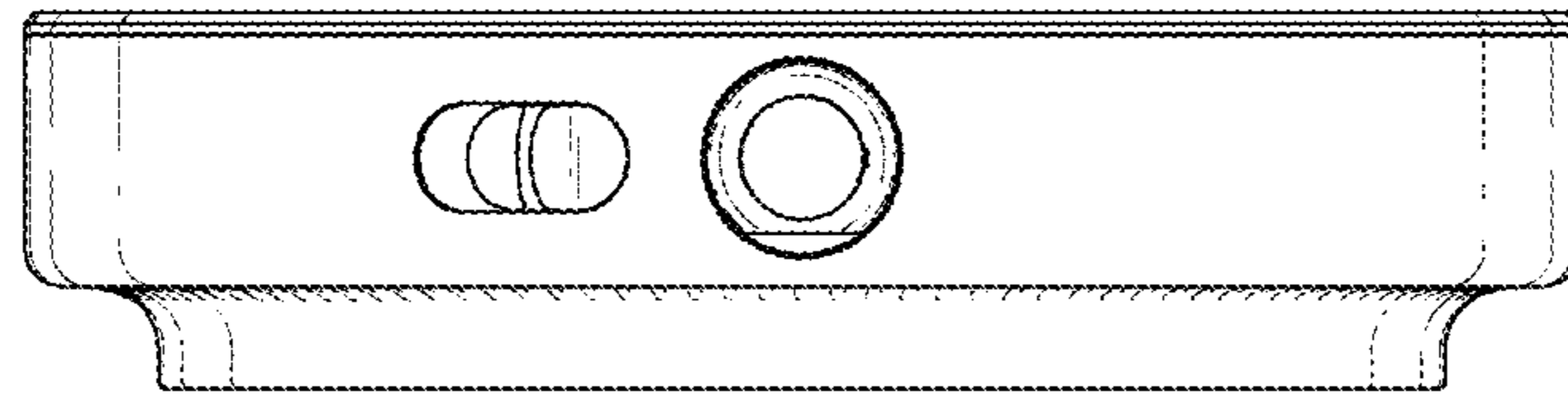
2004/0016348 A1* 1/2004 Sharpe A47J 37/10
99/331
2005/0242086 A1* 11/2005 Imura A47J 27/62
219/627
2011/0268153 A1* 11/2011 He A47J 37/108
374/179
2012/0000903 A1* 1/2012 Baarman A47J 27/002
219/620
2012/0152932 A1* 6/2012 Moon H05B 6/1209
219/601

* cited by examiner

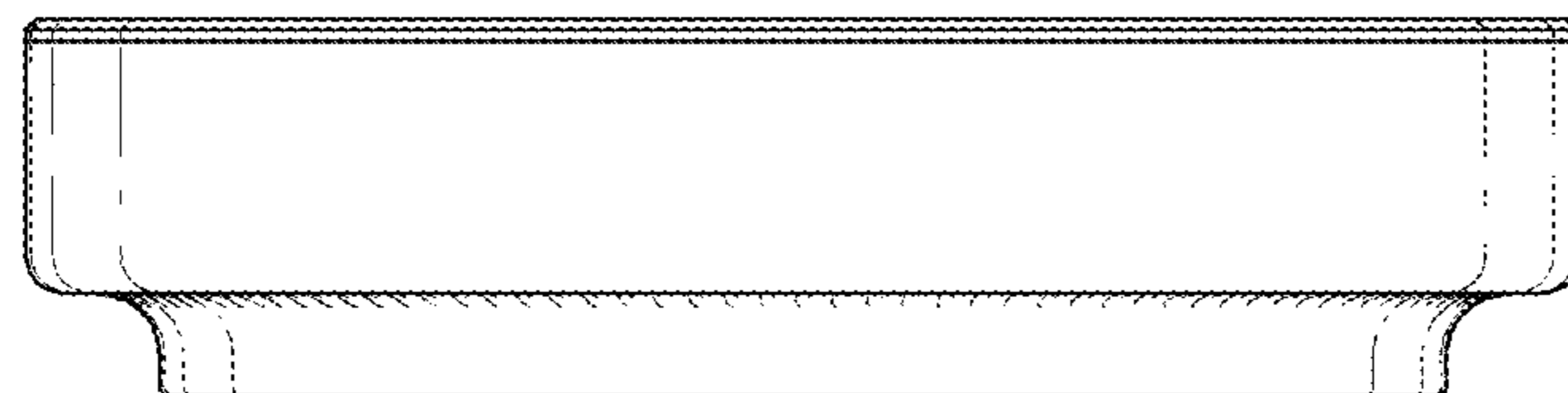
1.1



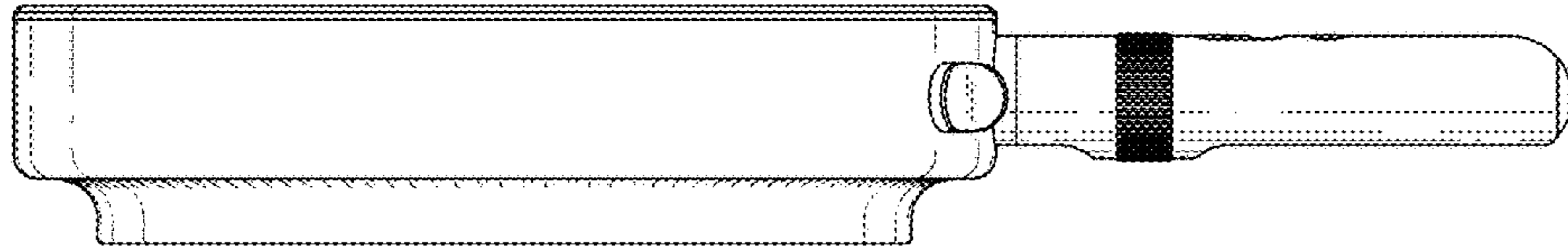
1.2



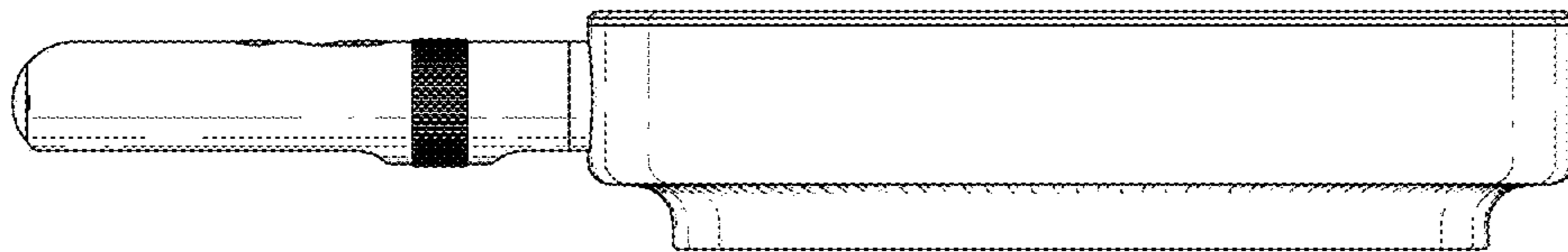
1.3



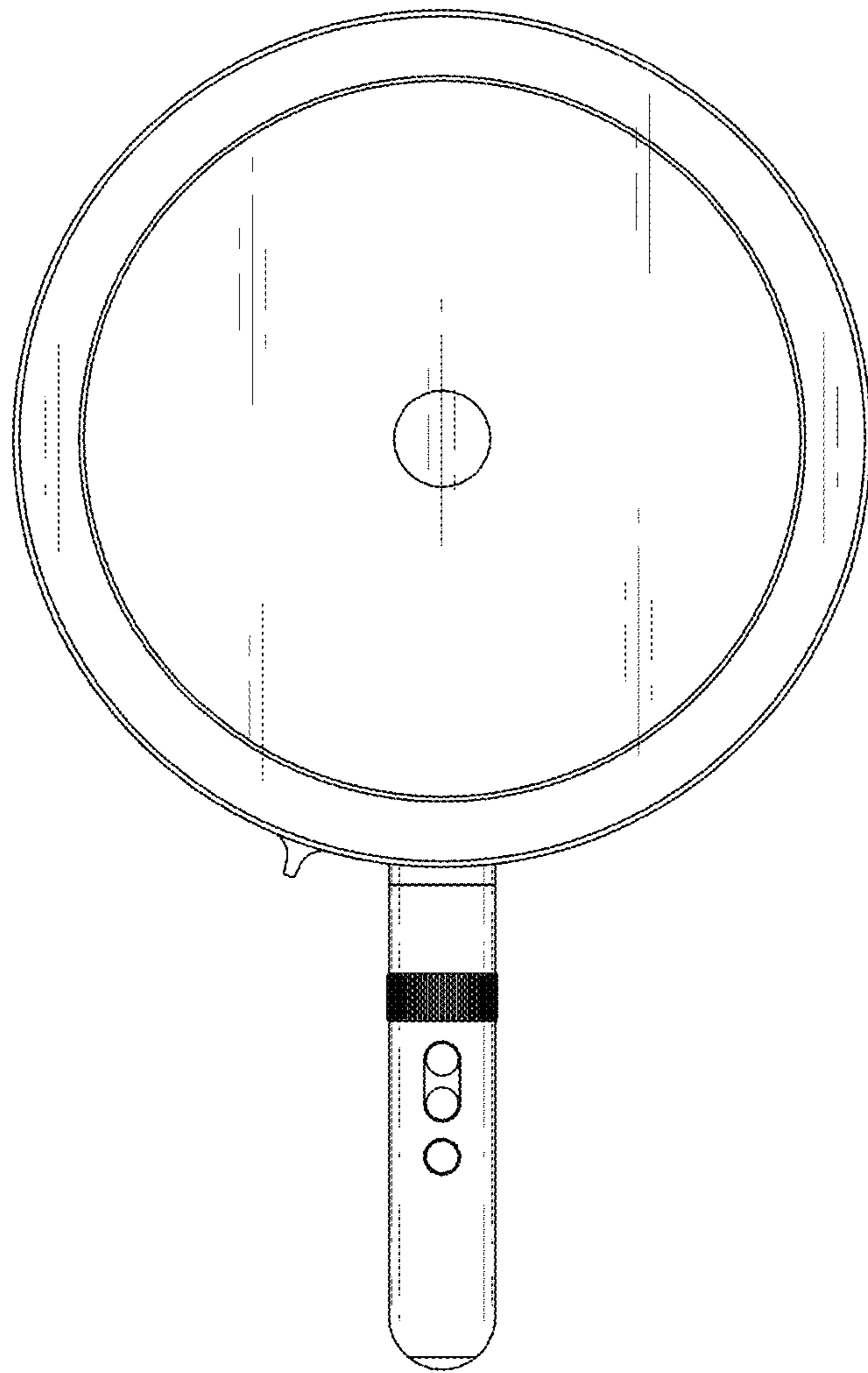
1.4



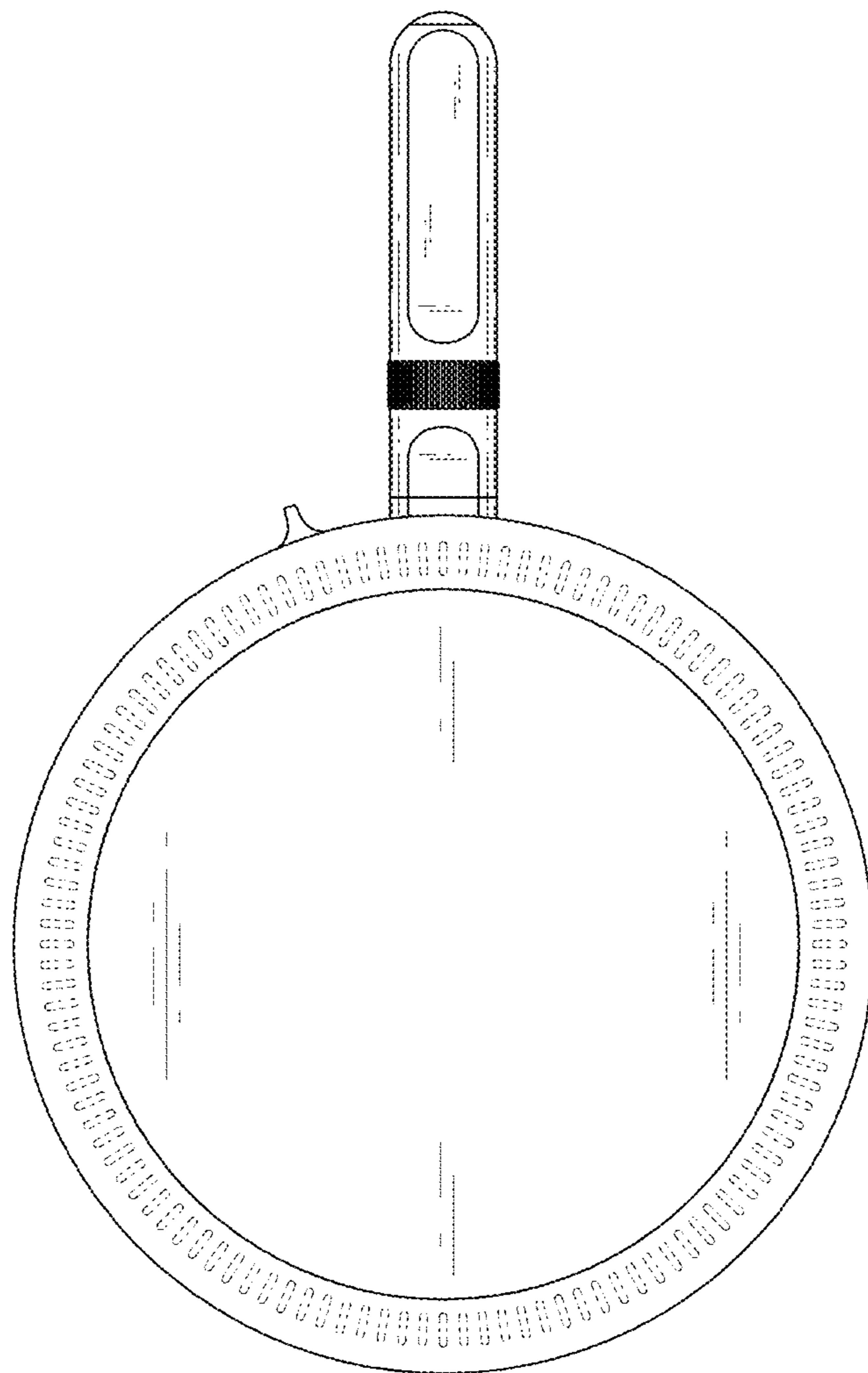
1.5



1.6



1.7



1.8

