



US00D815884S

(12) **United States Design Patent**
Freeman

(10) **Patent No.:** **US D815,884 S**

(45) **Date of Patent:** **** *Apr. 24, 2018**

(54) **PAN WITH ONE HANDLED HAND GRIP**

(56) **References Cited**

(71) Applicant: **CAMBRO MANUFACTURING COMPANY**, Huntington Beach, CA (US)

U.S. PATENT DOCUMENTS

(72) Inventor: **Ernest F. Freeman**, Garden Grove, CA (US)

1,904,925	A *	4/1933	Perks	A47J 37/10 126/215
D181,246	S *	10/1957	Boldt	D7/361
3,713,380	A *	1/1973	Bardin	A47J 37/10 99/422
D226,838	S *	5/1973	Ruskin	D30/129
D245,059	S *	7/1977	Bardin	D7/361
D248,722	S *	8/1978	Tsuji	D7/352
D363,002	S *	10/1995	Douglas	D7/354
D387,177	S *	12/1997	Davis	D24/227
D434,265	S *	11/2000	Tatlow	D7/323
D543,773	S	5/2007	Reckert	
D555,419	S *	11/2007	Reckert	D7/361
D657,992	S *	4/2012	Moodie	D7/354
D696,057	S *	12/2013	Green	D7/354
D752,864	S *	4/2016	Levie	D3/304

(73) Assignee: **Cambro Manufacturing**, Huntington Beach, CA (US)

(*) Notice: This patent is subject to a terminal disclaimer.

(**) Term: **15 Years**

(21) Appl. No.: **29/573,832**

* cited by examiner

(22) Filed: **Aug. 10, 2016**

Primary Examiner — Ricky Pham

(51) **LOC (11) Cl.** **07-02**

(57) **CLAIM**

(52) **U.S. Cl.**

I claim the ornamental design for a pan with one handled hand grip, as shown and described.

USPC **D7/361**; D7/354; D7/360

(58) **Field of Classification Search**

DESCRIPTION

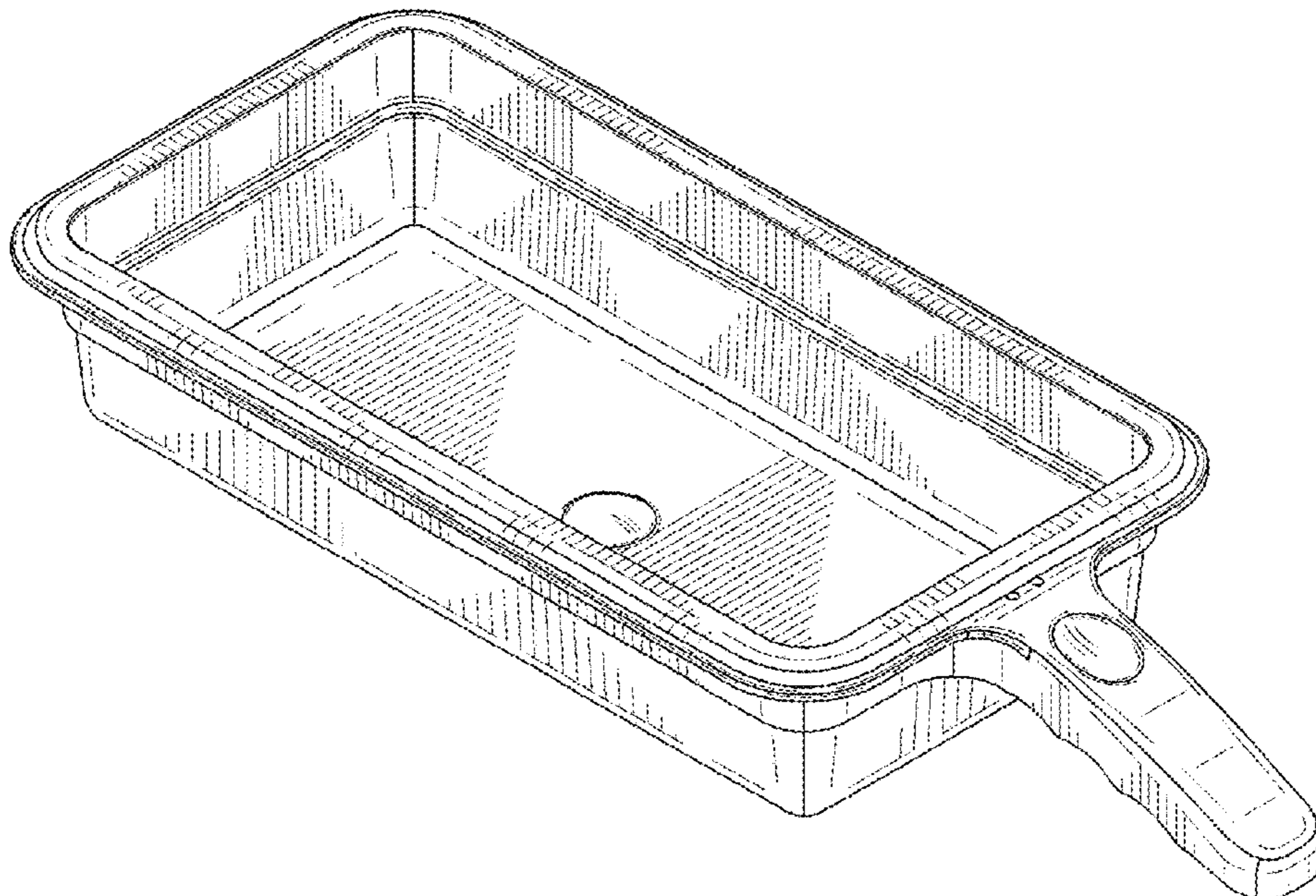
USPC D3/304; D7/323, 352-361, 543, 545, D7/549, 550.1, 553.1-553.8, 554.1-554.4, D7/555, 584, 586; D9/430-433, D9/455-456, 737, 756-762; D24/227; D30/129

FIG. 1 is a perspective view of the pan with one handled hand grip.
FIG. 2 is a left side elevation view.
FIG. 3 is a right side elevation view.
FIG. 4 is a front elevation view.
FIG. 5 is a rear elevation view.
FIG. 6 is a top plan view; and,
FIG. 7 is a bottom plan view of the pan with one handled hand grip.

CPC A21B 3/00; A21B 3/13; A21B 3/15; A21B 3/134; A21B 5/00; A21B 5/02; A47J 36/022; A47J 36/025; A47J 36/027; A47J 37/00; A47J 37/04; A47J 37/10; B65D 1/22; B65D 1/24; B65D 1/34; B65D 1/36; B65D 81/343; B65D 85/36

See application file for complete search history.

1 Claim, 5 Drawing Sheets



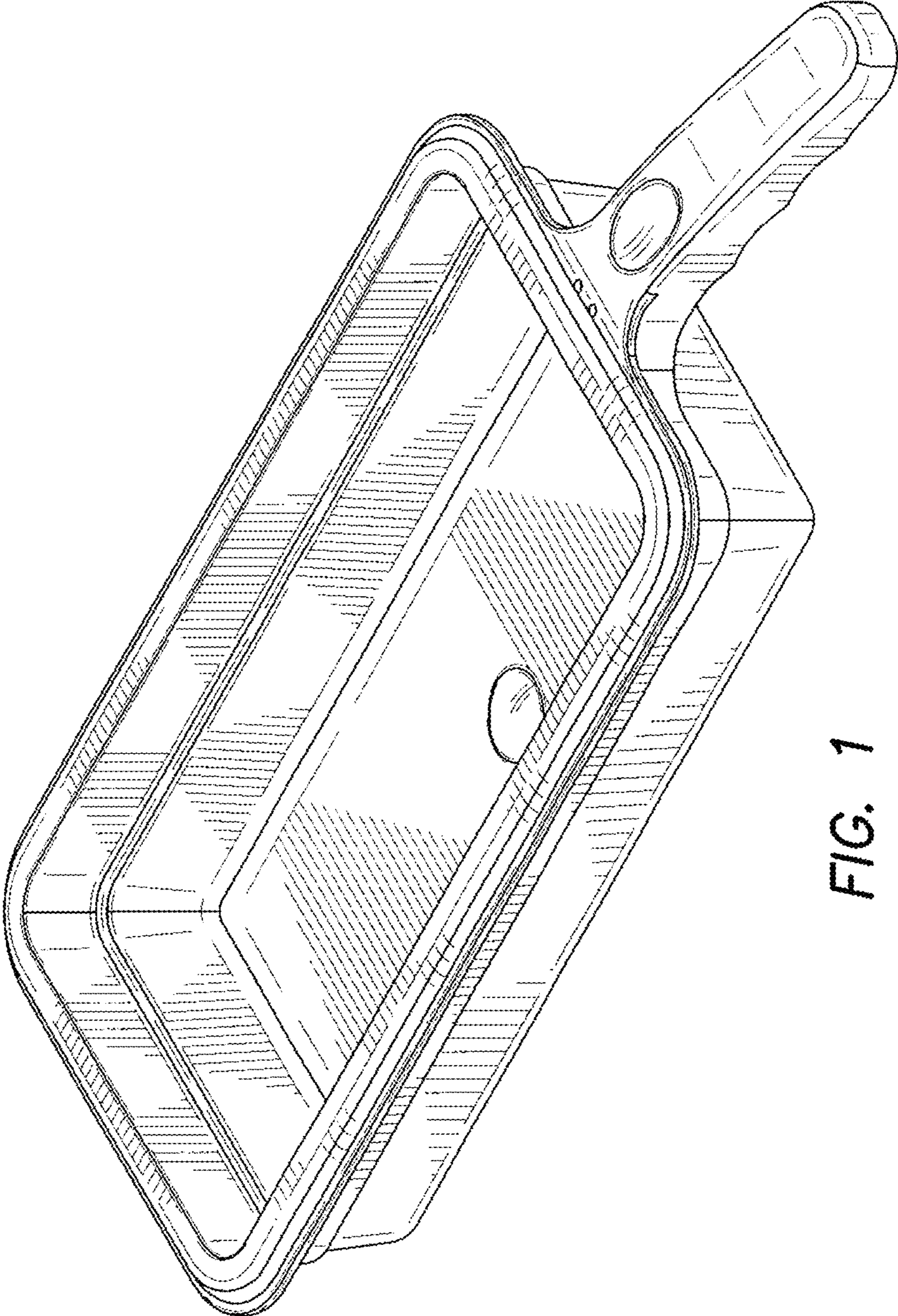


FIG. 1

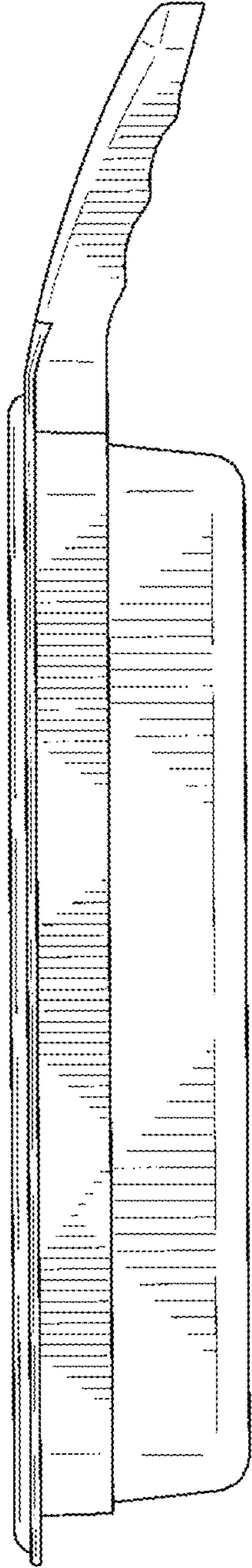


FIG. 2

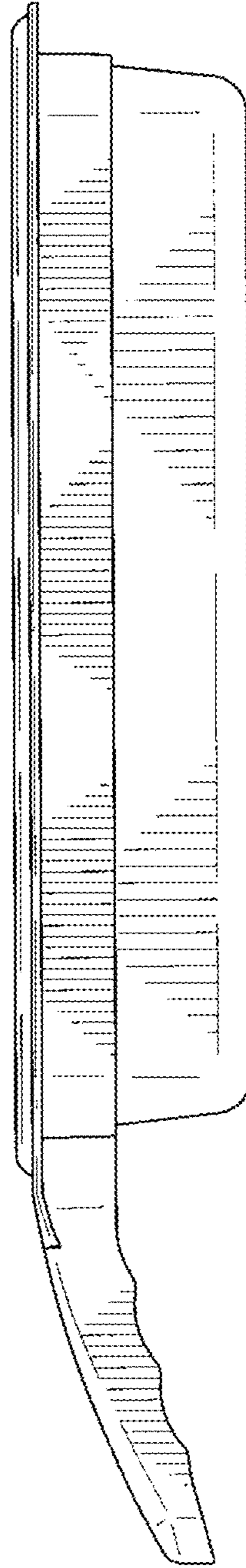


FIG. 3

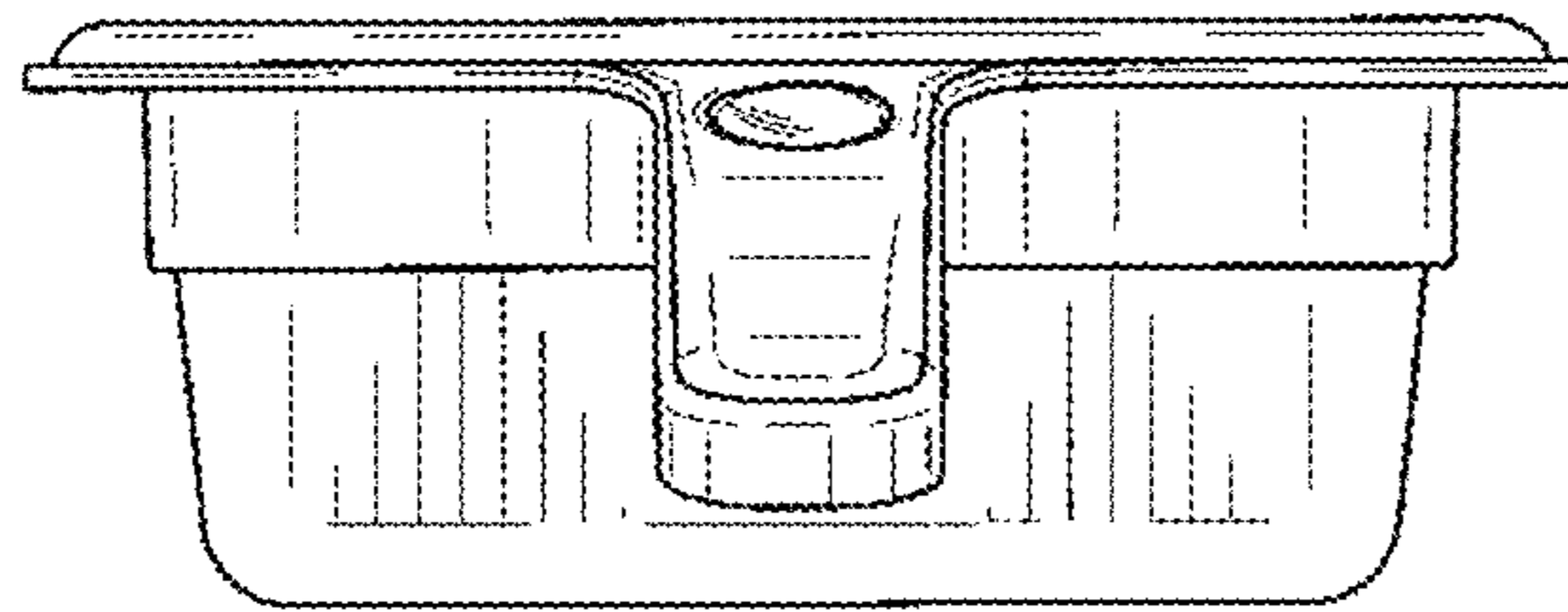


FIG. 4

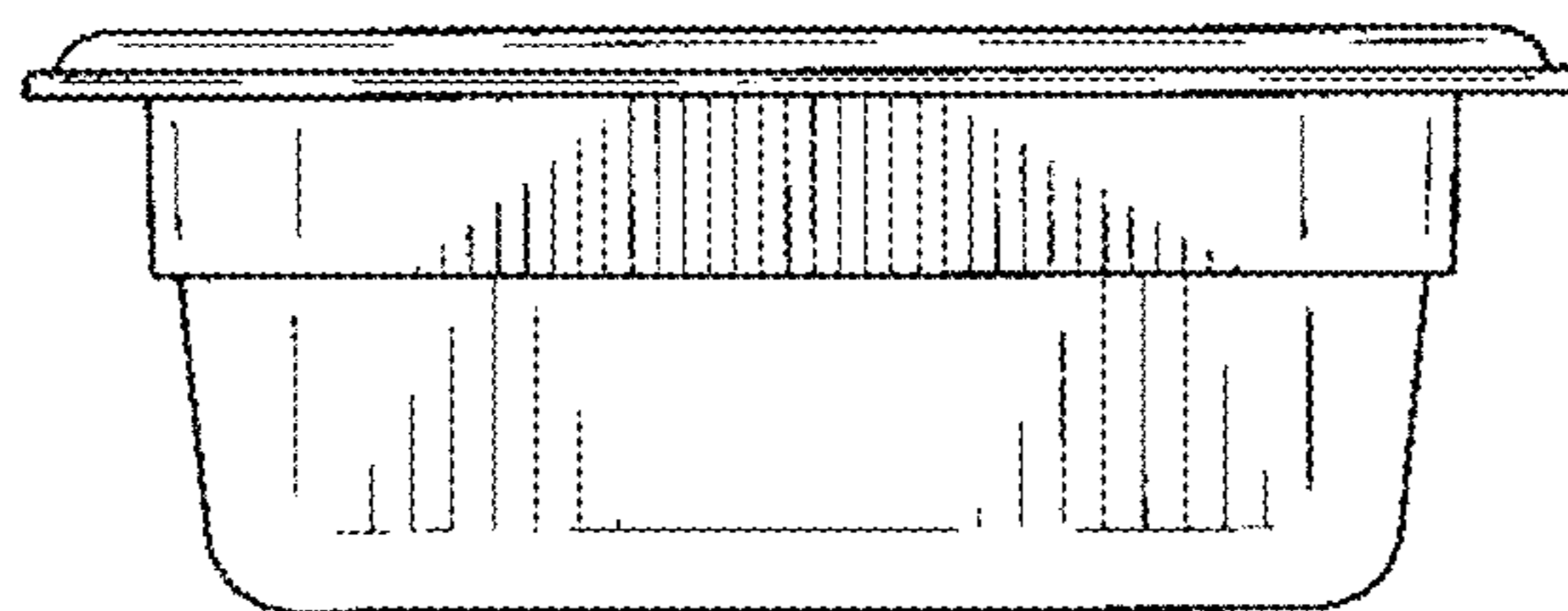


FIG. 5

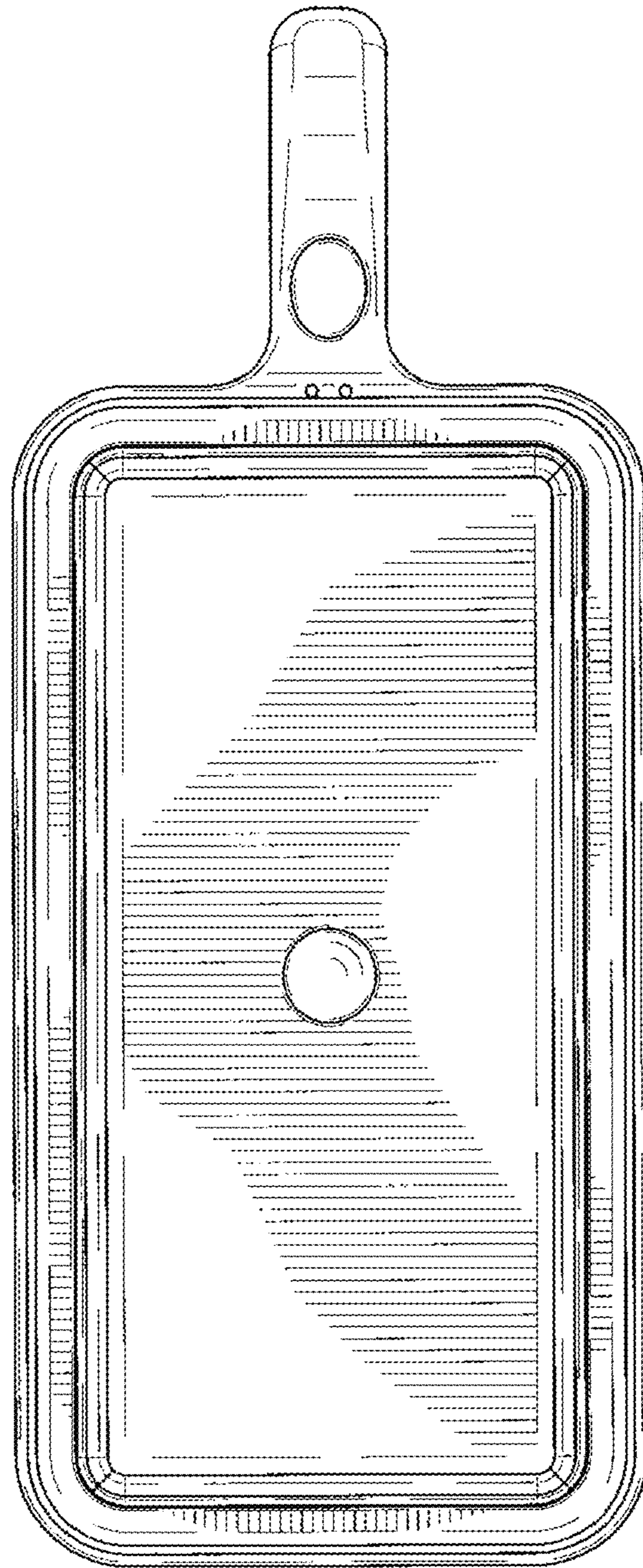


FIG. 6

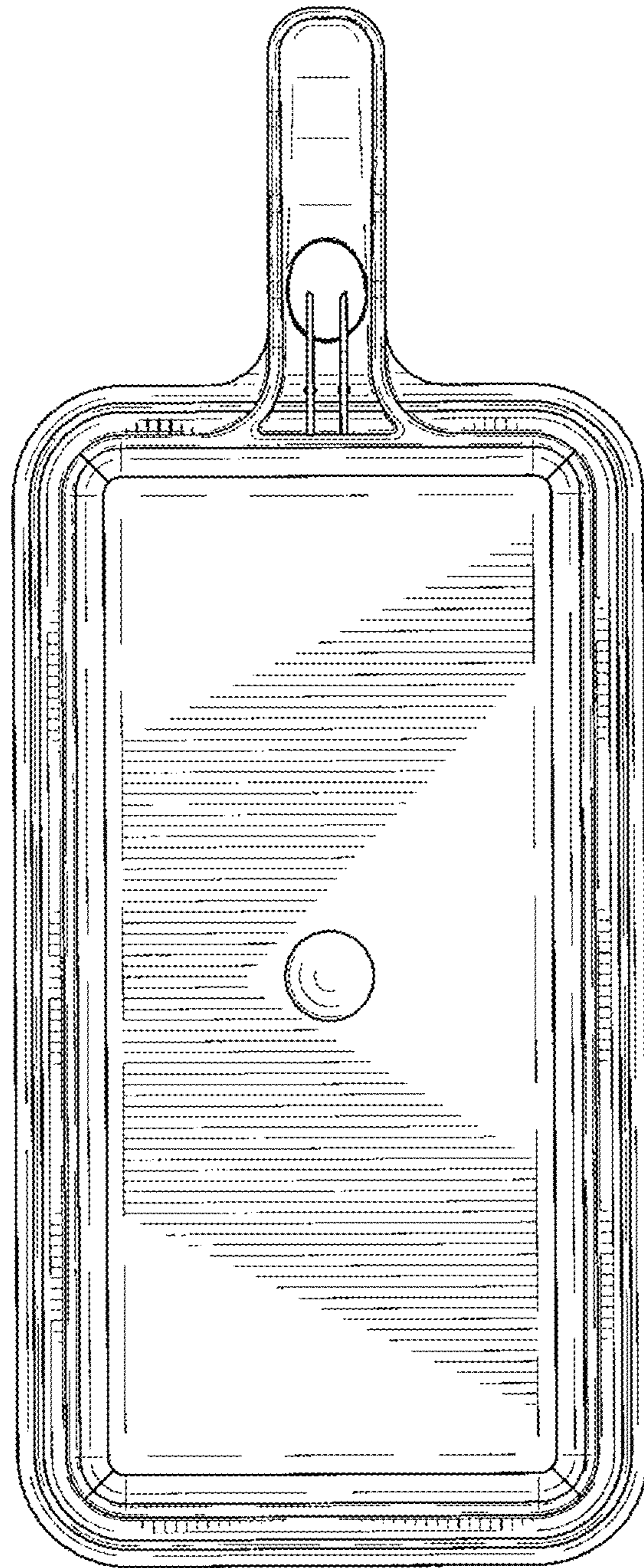


FIG. 7