



US00D815882S

(12) **United States Design Patent**
Mirchandani et al.

(10) **Patent No.:** **US D815,882 S**
(45) **Date of Patent:** **** Apr. 24, 2018**

(54) **COOKING APPARATUS**

FOREIGN PATENT DOCUMENTS

(71) Applicant: **Tristar Products, Inc.**, Fairfield, NJ
(US)

CA 99505 A 6/1906
CN 203776009 U 8/2014

(Continued)

(72) Inventors: **Keith Mirchandani**, Fairfield, NJ (US);
Paul McGrath, Flanders, NJ (US);
James Mitrik, Long Pond, PA (US);
Alejandro G. Lozano, Guttenberg, NJ
(US)

Primary Examiner — Ricky Pham

(74) *Attorney, Agent, or Firm* — Adler Pollock &
Sheehan P.C.; Daniel J. Holmender, Esq.

(73) Assignee: **Tristar Products, Inc.**, Fairfield, NJ
(US)

(57) **CLAIM**

(**) Term: **15 Years**

The ornamental design for a cooking apparatus, as shown
and described.

(21) Appl. No.: **29/596,511**

(22) Filed: **Mar. 8, 2017**

Related U.S. Application Data

DESCRIPTION

(63) Continuation-in-part of application No. 29/595,954,
filed on Mar. 3, 2017, now Pat. No. Des. 801,104, and
(Continued)

The file of this patent contains at least one drawing executed
in color. Copies of this patent with color drawings will be
provided by the Office upon request and payment of the
necessary fee.

(51) **LOC (11) Cl.** **07-02**

(52) **U.S. Cl.**
USPC **D7/354**

FIG. 1 is a front perspective view of a first embodiment of
a cooking apparatus in accordance with the subject disclo-
sure.

(58) **Field of Classification Search**
USPC D7/323, 354–361, 543, 545, 549, 550.1,
D7/553.1–553.8, 554.1–554.4, 555, 584,
D7/586, 602; D9/430–433, 455–456,
D9/737, 756–762

FIG. 2 is a right side view of the cooking apparatus of FIG.
1.

CPC A21B 3/00; A21B 3/13; A21B 3/15; A21B
3/134; A21B 5/00; A21B 5/02; A47J
36/022; A47J 36/025; A47J 36/027; A47J

FIG. 3 is a left side view of the cooking apparatus of FIG.
1.

(Continued)

FIG. 4 is a front view of the cooking apparatus of FIG. 1.

FIG. 5 is a rear view of the cooking apparatus of FIG. 1.

FIG. 6 is a top view of the cooking apparatus of FIG. 1.

FIG. 7 is a bottom view of the cooking apparatus of FIG. 1.

FIG. 8 is a top perspective view of the cooking apparatus of
FIG. 1; and,

FIG. 9 is a bottom perspective view of the cooking apparatus
of FIG. 1.

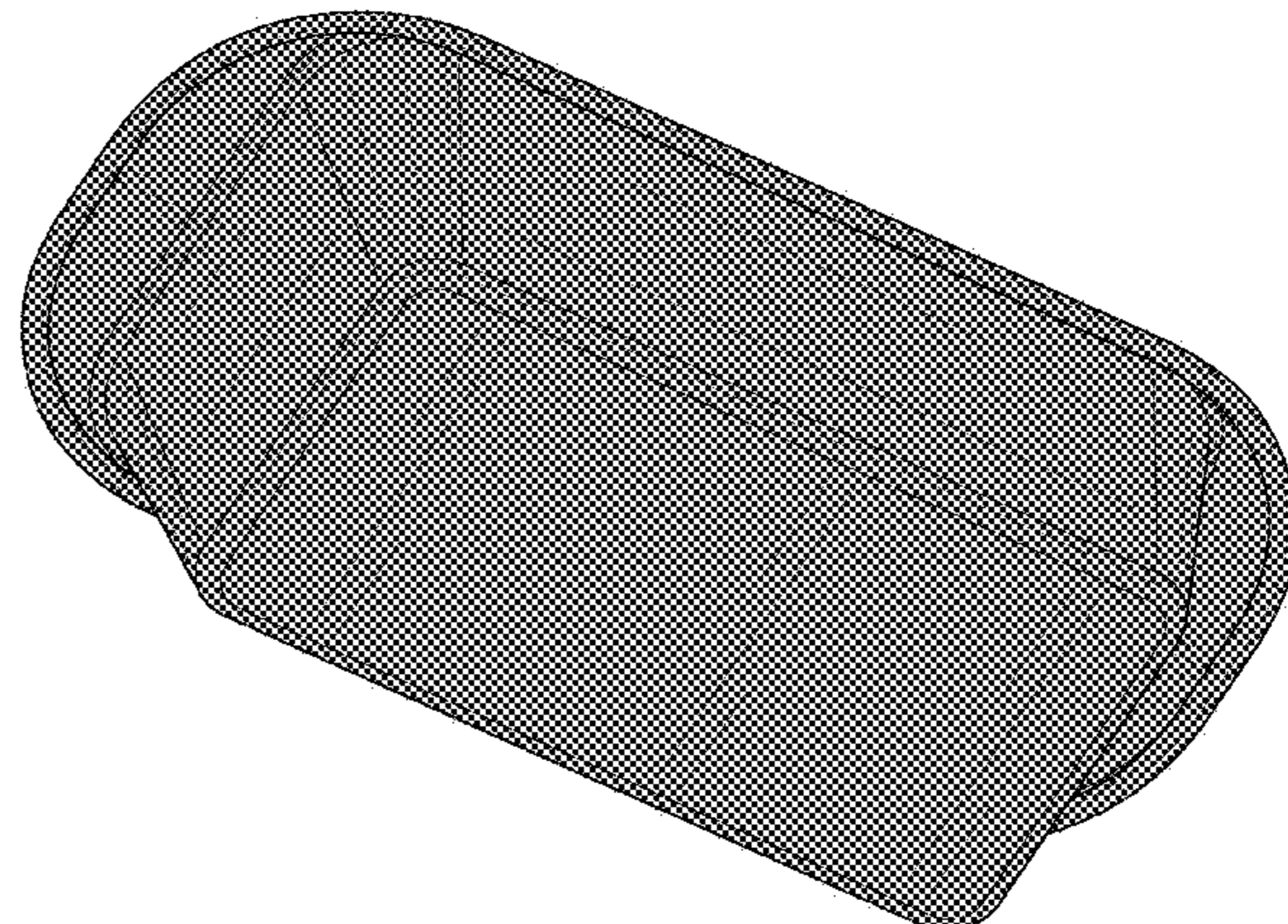
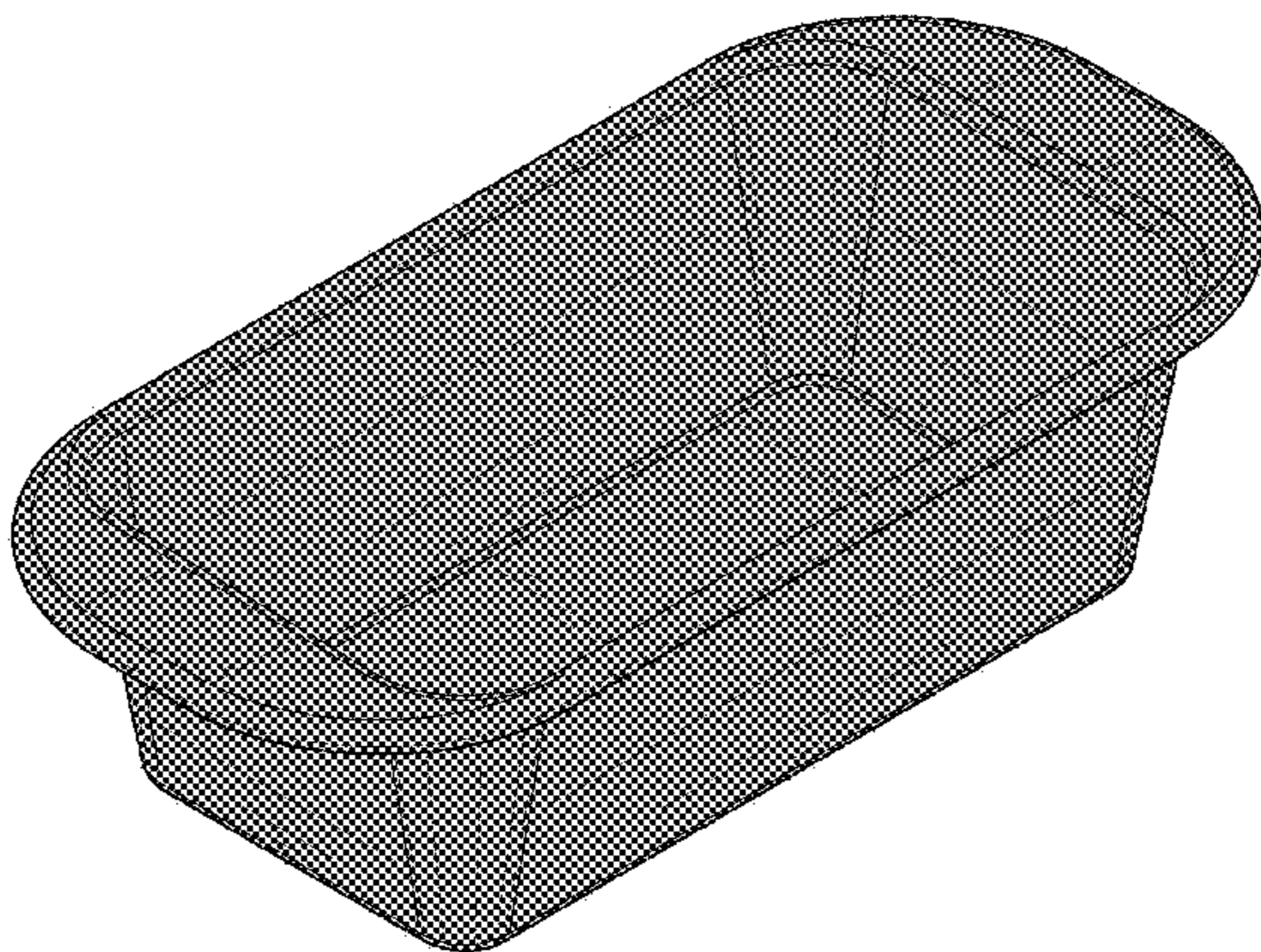
(56) **References Cited**

U.S. PATENT DOCUMENTS

1,671,450 A 5/1928 Ross
3,765,595 A * 10/1973 Bernhardt B65D 77/2056
206/515

(Continued)

1 Claim, 9 Drawing Sheets
(9 of 9 Drawing Sheet(s) Filed in Color)



Related U.S. Application Data

a continuation-in-part of application No. 29/595,955, filed on Mar. 3, 2017, and a continuation-in-part of application No. 29/595,957, filed on Mar. 3, 2017, and a continuation-in-part of application No. 29/595,965, filed on Mar. 3, 2017, and a continuation-in-part of application No. 29/595,966, filed on Mar. 3, 2017, and a continuation-in-part of application No. 29/596,213, filed on Mar. 6, 2017.

(58) **Field of Classification Search**

CPC 37/00; A47J 37/04; A47J 45/062; B65D 1/22; B65D 1/24; B65D 1/34; B65D 1/36; B65D 77/2056; B65D 81/343; B65D 85/36

See application file for complete search history.

(56) **References Cited**

U.S. PATENT DOCUMENTS

4,014,451	A	3/1977	Cannon et al.	
4,106,486	A	8/1978	Lee	
4,195,747	A	4/1980	Hare	
4,865,858	A	9/1989	Petcavich	
D384,555	S	10/1997	Bradley	
5,800,853	A	9/1998	Wang	
D437,180	S	2/2001	Emrich	
D445,633	S	7/2001	Bradley	
D466,758	S	12/2002	Bradley	
6,546,850	B1	4/2003	Akiyama-Warren	
D475,246	S *	6/2003	Jørgensen	D7/545
D528,376	S	9/2006	Munson et al.	
D551,492	S *	9/2007	Schuler	D7/354

D559,621	S	1/2008	Raichlen et al.	
D569,169	S	5/2008	Munson	
D569,676	S *	5/2008	Millsap	D7/354
D581,204	S *	11/2008	Simon	D7/354
D583,615	S *	12/2008	Simon	D7/354
D584,112	S	1/2009	Ehrenhaus et al.	
D588,859	S	3/2009	Simon et al.	
D615,825	S	5/2010	Curtin	
D631,299	S *	1/2011	Samartgis	D7/602
D641,217	S	7/2011	Chen et al.	
D644,884	S *	9/2011	Samartgis	D7/602
D663,570	S *	7/2012	Sarnoff	D7/354
D684,733	S	6/2013	Altoon	
8,678,223	B2 *	3/2014	Sarnoff	A47J 45/062 206/449
D713,196	S *	9/2014	Sarnoff	D7/354
D762,083	S *	7/2016	Librus	D7/354
D777,535	S	1/2017	Zemel et al.	
D801,104	S *	10/2017	Mirchandani	D7/354
2005/0098046	A1	5/2005	Morgan	
2010/0263552	A1	10/2010	Hendrickson	
2015/0069215	A1	3/2015	Kohnen	
2015/0250189	A1	9/2015	Marin Moro	

FOREIGN PATENT DOCUMENTS

GB	802872	A	10/1958
GB	835370	A	5/1960
GB	2073582	A	10/1981
GB	2075824	A	11/1981
GB	2451496	A	2/2009
JP	2009508512	A	3/2009
WO	WO-890210	A1	1/1989
WO	WO-9533360	A1	12/1995
WO	WO-2006062527	A1	6/2006

* cited by examiner

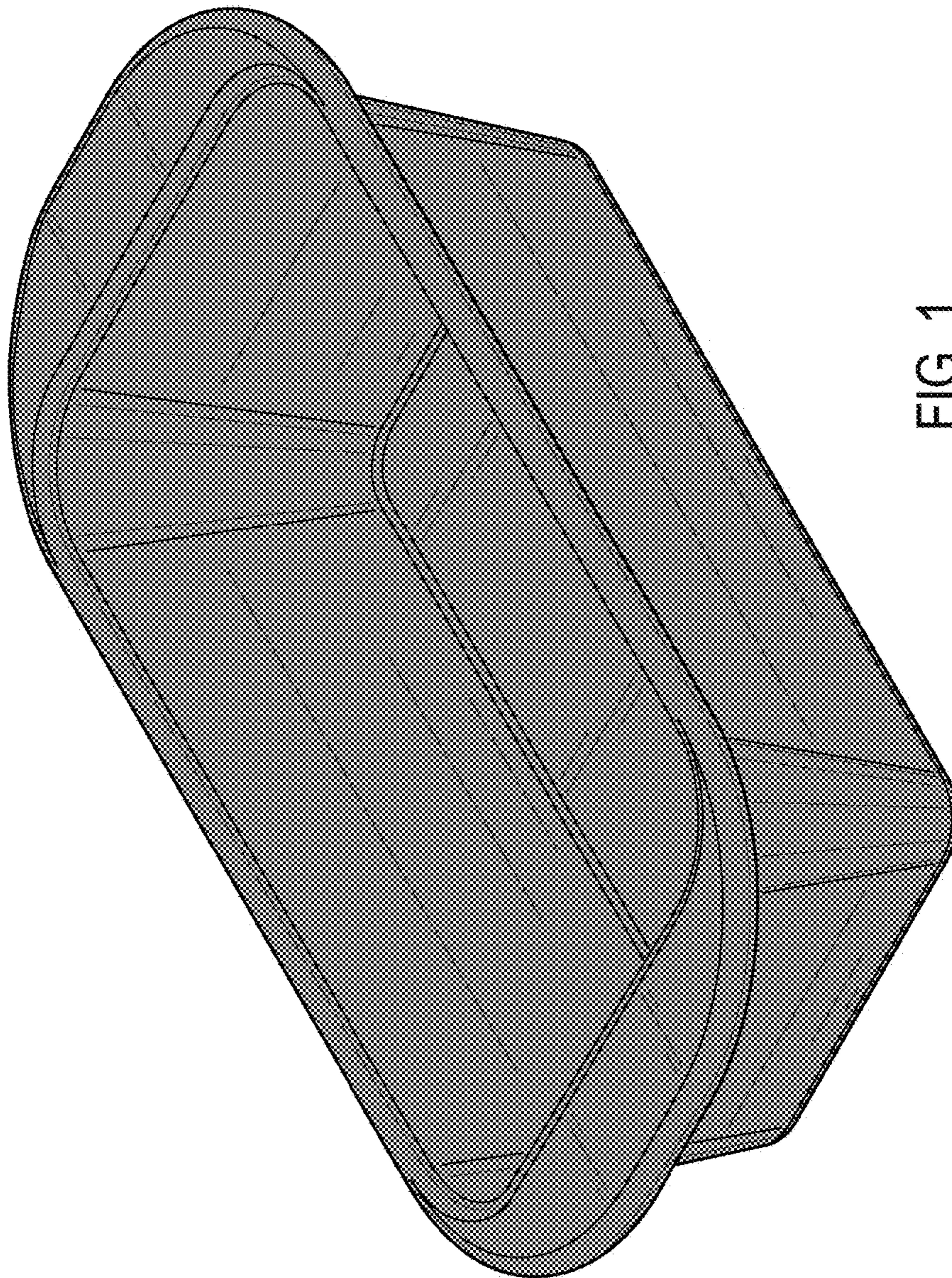


FIG. 1

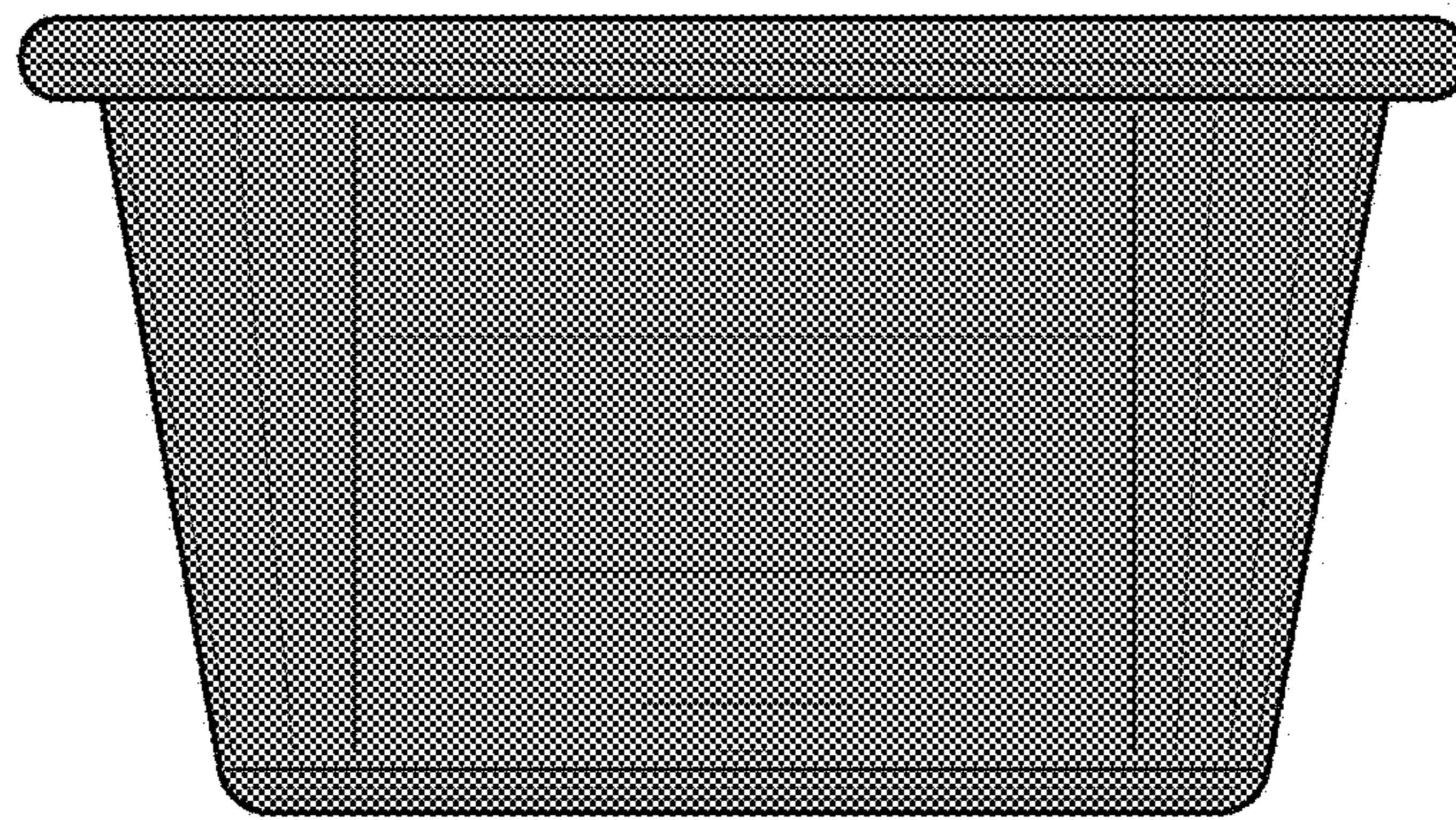


FIG. 2

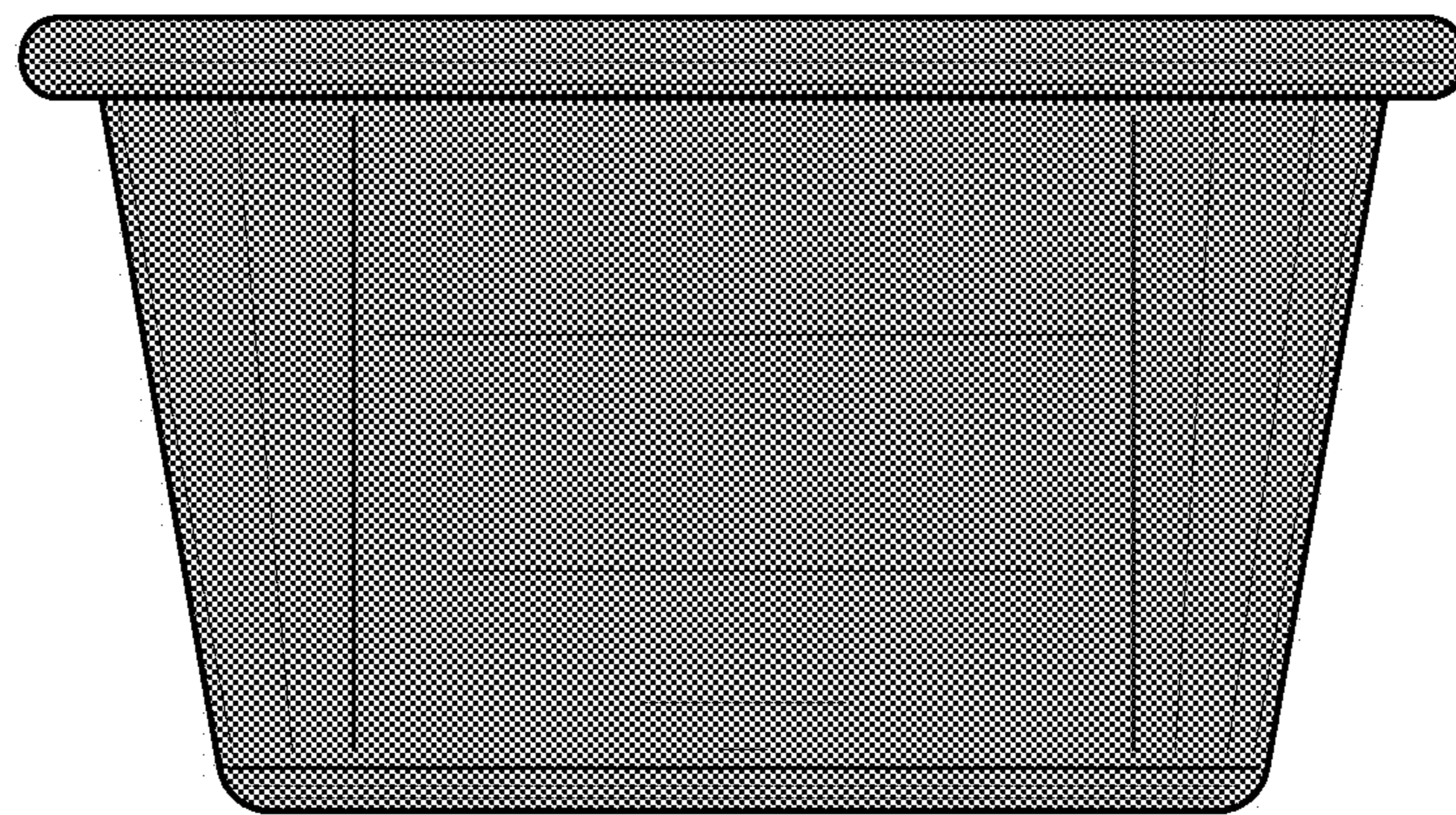


FIG. 3

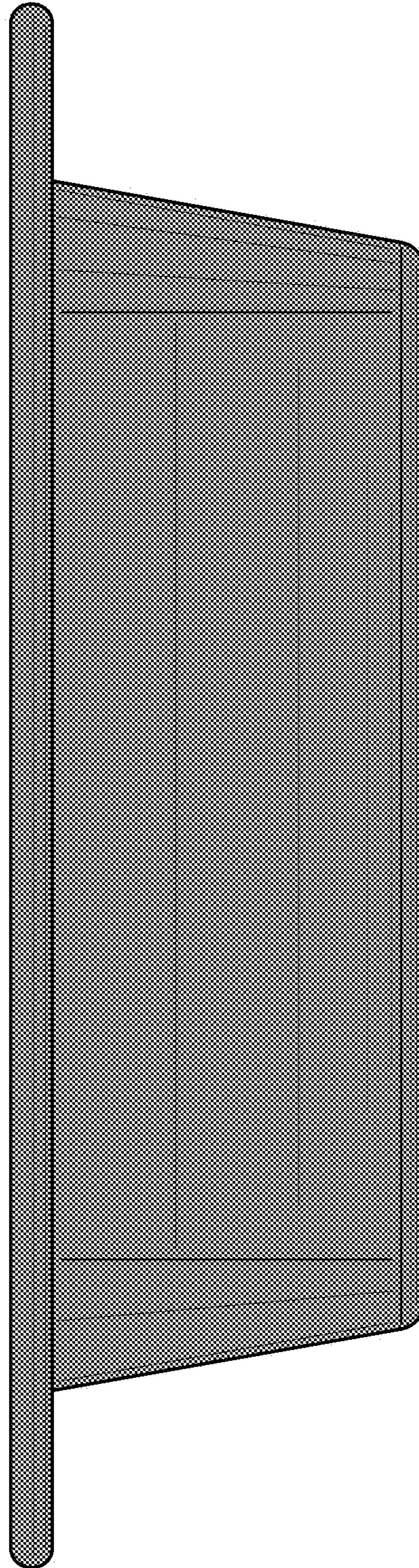


FIG. 4

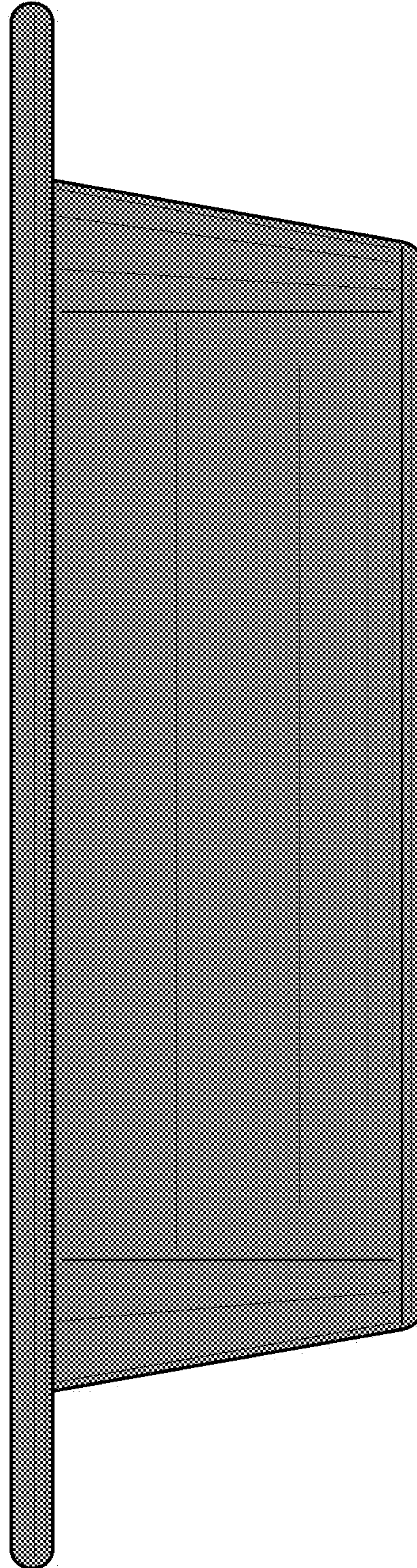


FIG. 5

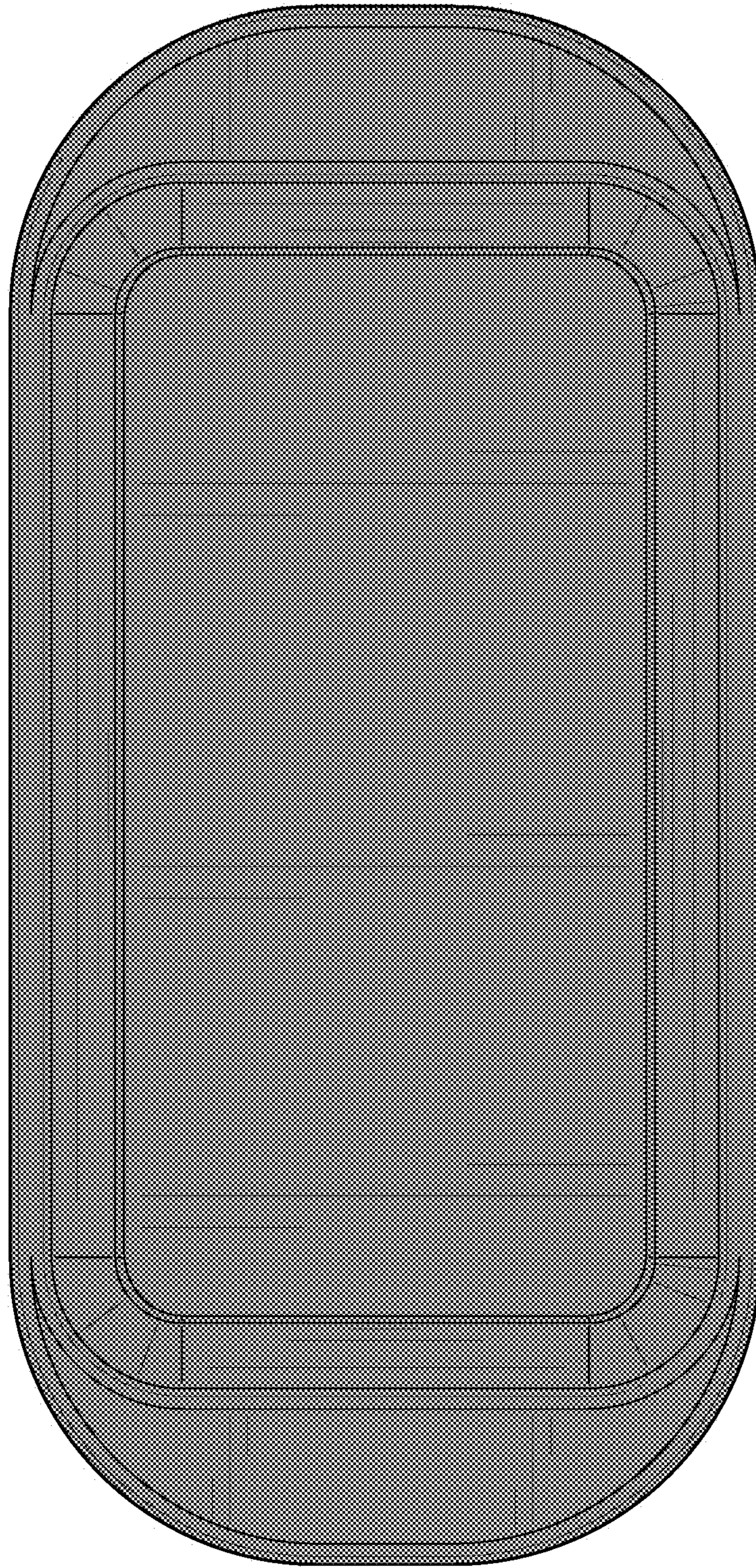


FIG. 6

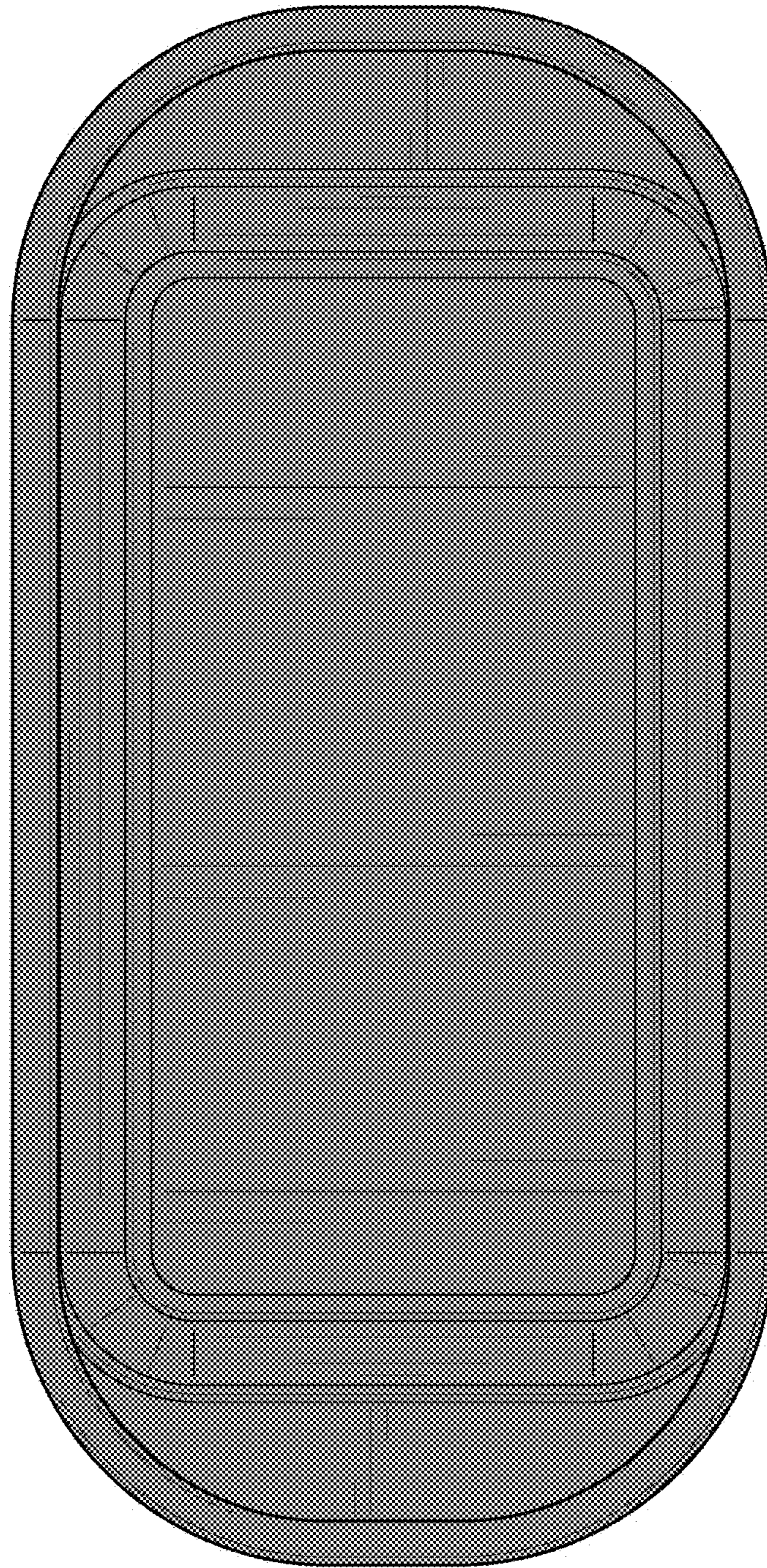


FIG. 7

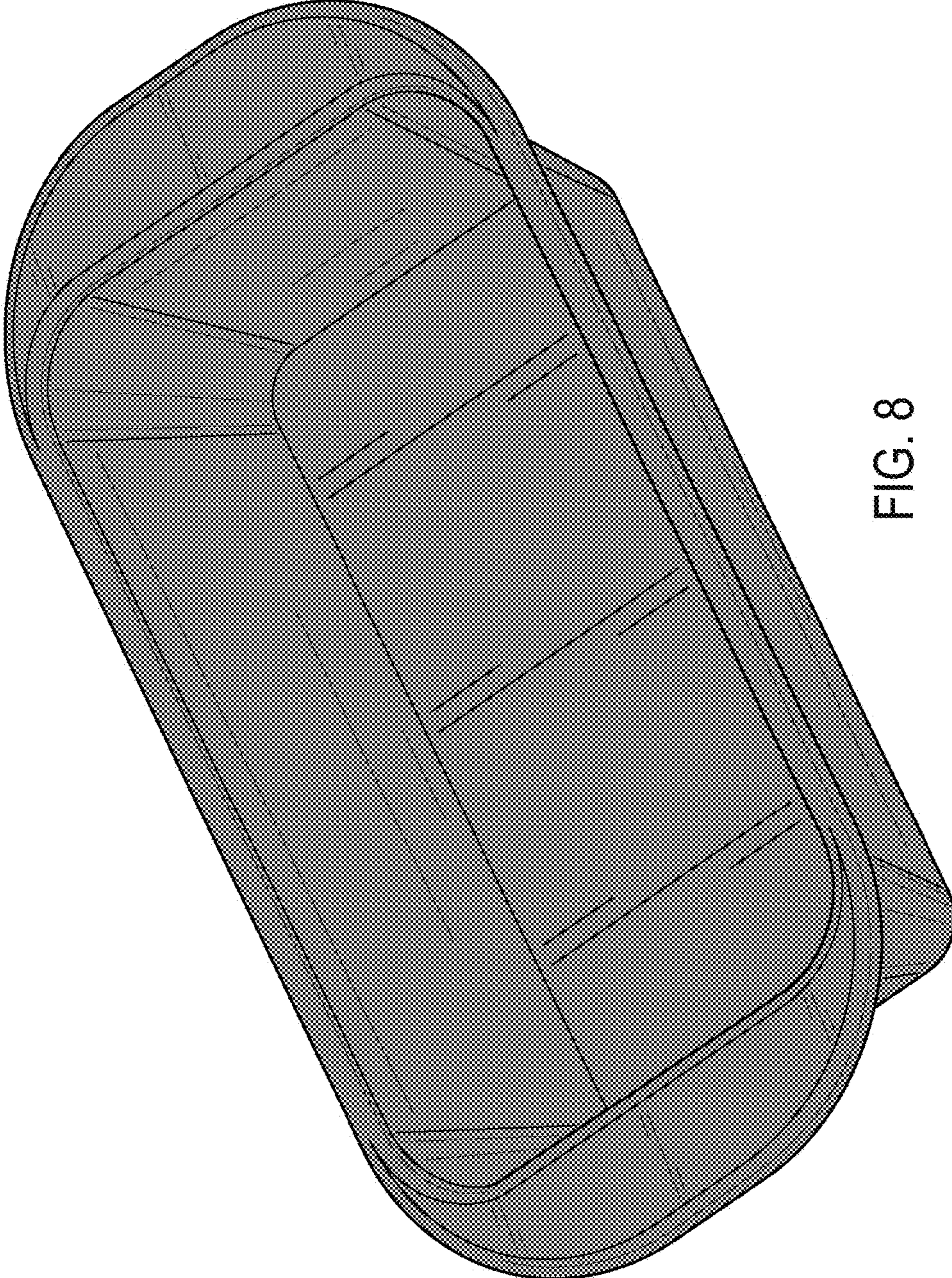


FIG. 8

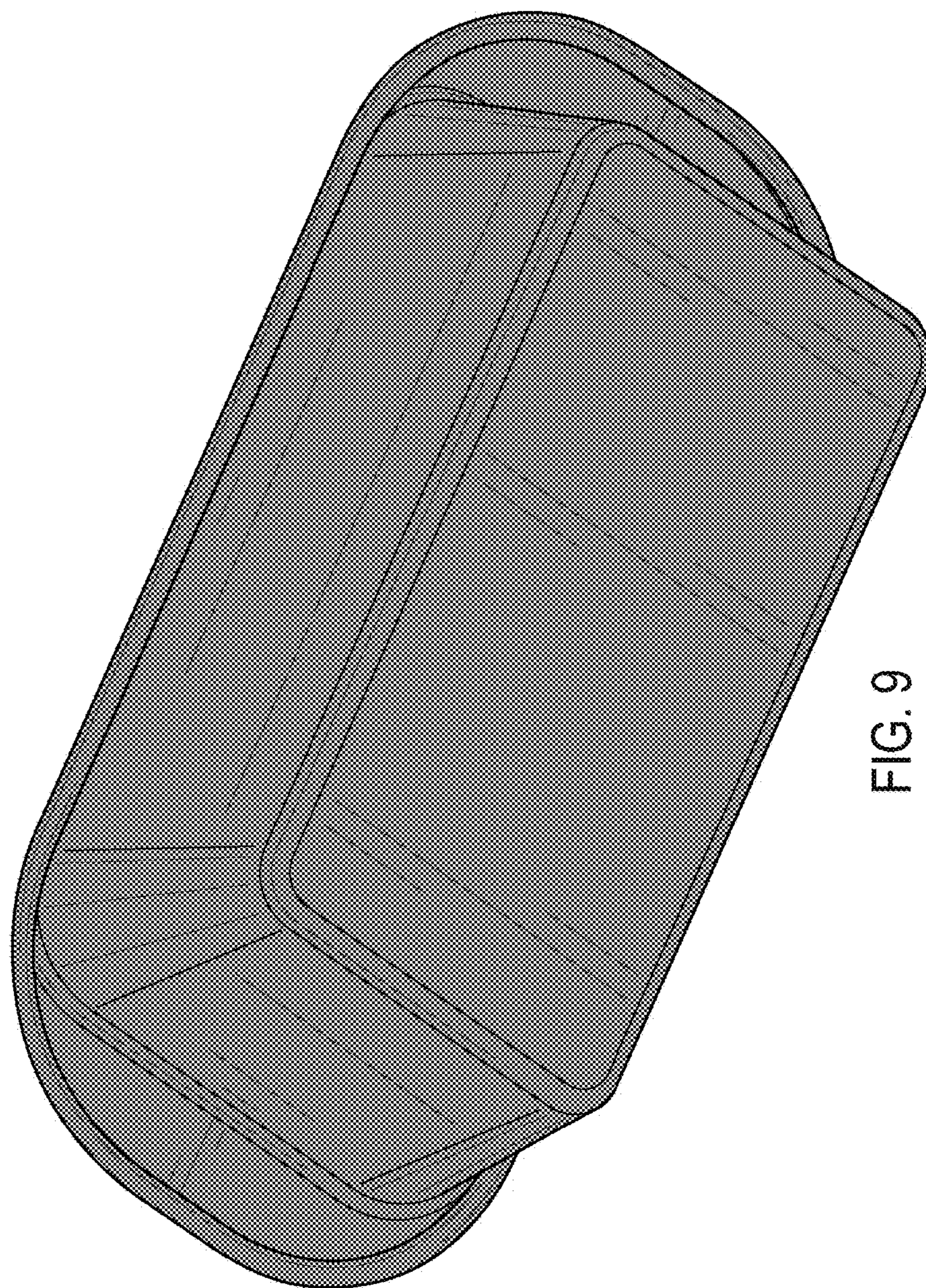


FIG. 9