



US00D815880S

(12) **United States Design Patent**
Mirchandani et al.

(10) **Patent No.:** **US D815,880 S**
(45) **Date of Patent:** **** Apr. 24, 2018**

(54) **COOKING APPARATUS**

(71) Applicant: **Tristar Products, Inc.**, Fairfield, NJ
(US)

(72) Inventors: **Keith Mirchandani**, Fairfield, NJ (US);
Paul McGrath, Flanders, NJ (US);
James Mitrik, Long Pond, PA (US);
Alejandro G. Lozano, Guttenberg, NJ
(US)

(73) Assignee: **Tristar Products, Inc.**, Fairfield, NJ
(US)

(**) Term: **15 Years**

(21) Appl. No.: **29/596,006**

(22) Filed: **Mar. 3, 2017**

(51) **LOC (11) Cl.** **07-02**

(52) **U.S. Cl.**

USPC **D7/354**

(58) **Field of Classification Search**

USPC D3/304; D7/323, 354-361, 391, 543,
D7/545, 549, 550.1, 553.1-553.8,
D7/554.1-554.4, 555, 584, 586, 602, 629;
D9/425, 430-433, 455-456, 730, 737,
D9/756-762

CPC A21B 3/00; A21B 3/13; A21B 3/15; A21B
3/134; A21B 5/00; A21B 5/02; A47J
36/022; A47J 36/025; A47J 36/027; A47J
37/00; A47J 37/04; A47J 45/062; B29C
45/14; B65D 1/22; B65D 1/24; B65D
1/34; B65D 1/36; B65D 77/2056; B65D
81/343; B65D 85/36

See application file for complete search history.

(56) **References Cited**

U.S. PATENT DOCUMENTS

3,765,595 A * 10/1973 Bernhardt B65D 77/2056
206/515
4,195,747 A 4/1980 Hare

4,865,858 A 9/1989 Petcavich
D439,159 S * 3/2001 Chen D9/425
D445,633 S 7/2001 Bradley
D494,408 S 8/2004 Hinton et al.

(Continued)

FOREIGN PATENT DOCUMENTS

GB 835370 A 5/1960
GB 2073582 A 10/1981

(Continued)

Primary Examiner — Ricky Pham

(74) *Attorney, Agent, or Firm* — Adler Pollock &
Sheehan P.C.; Daniel J. Holmander, Esq.

(57) **CLAIM**

The ornamental design for a cooking apparatus, as shown
and described.

DESCRIPTION

FIG. 1 is a front perspective view of a first embodiment of
a cooking apparatus in accordance with the subject disclo-
sure.

FIG. 2 is top view of the cooking apparatus of FIG. 1.

FIG. 3 is a bottom view of the cooking apparatus of FIG. 1.

FIG. 4 is a front view of the cooking apparatus of FIG. 1.

FIG. 5 is a rear view of the cooking apparatus of FIG. 1.

FIG. 6 is a top perspective view of the cooking apparatus of
FIG. 1.

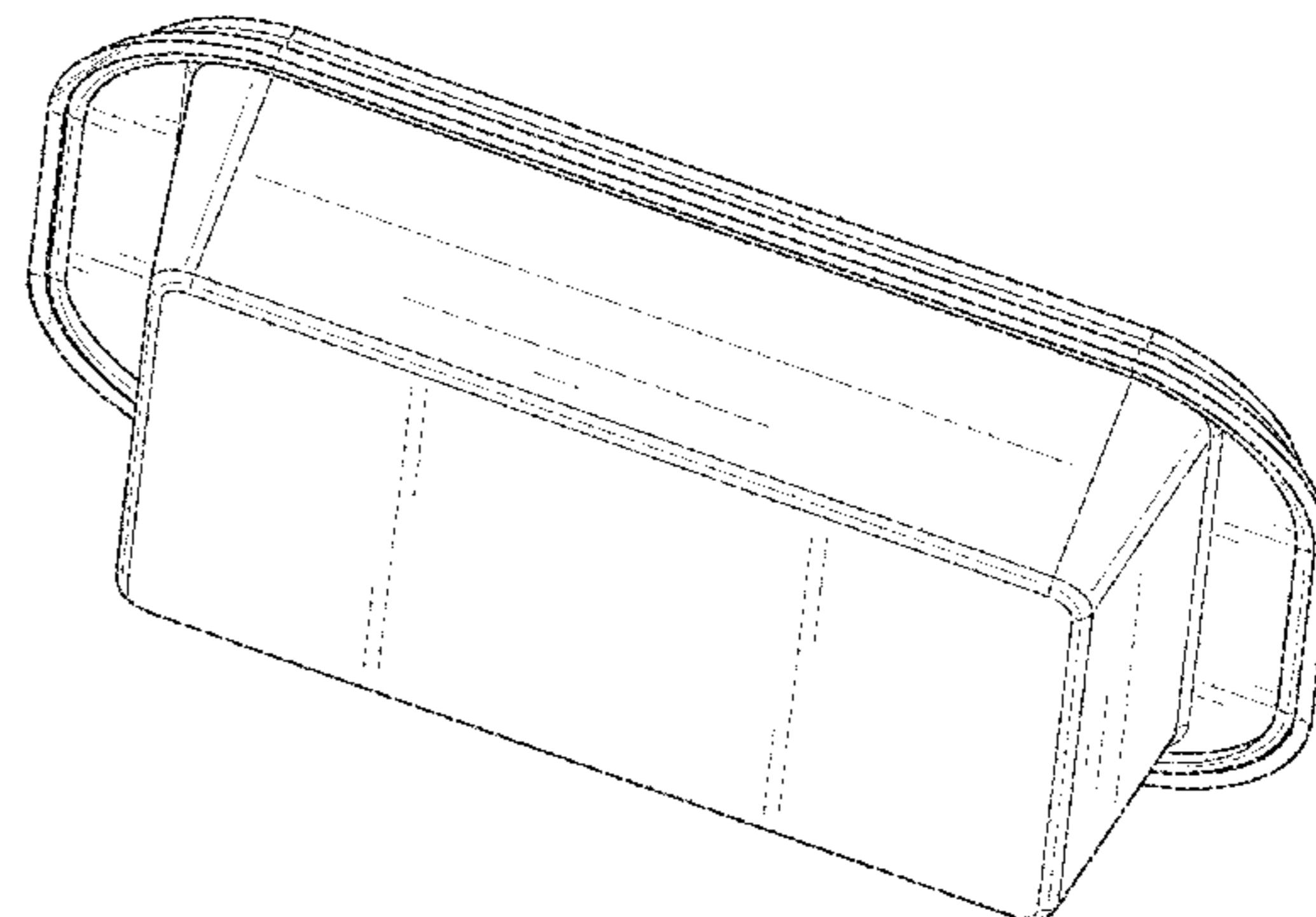
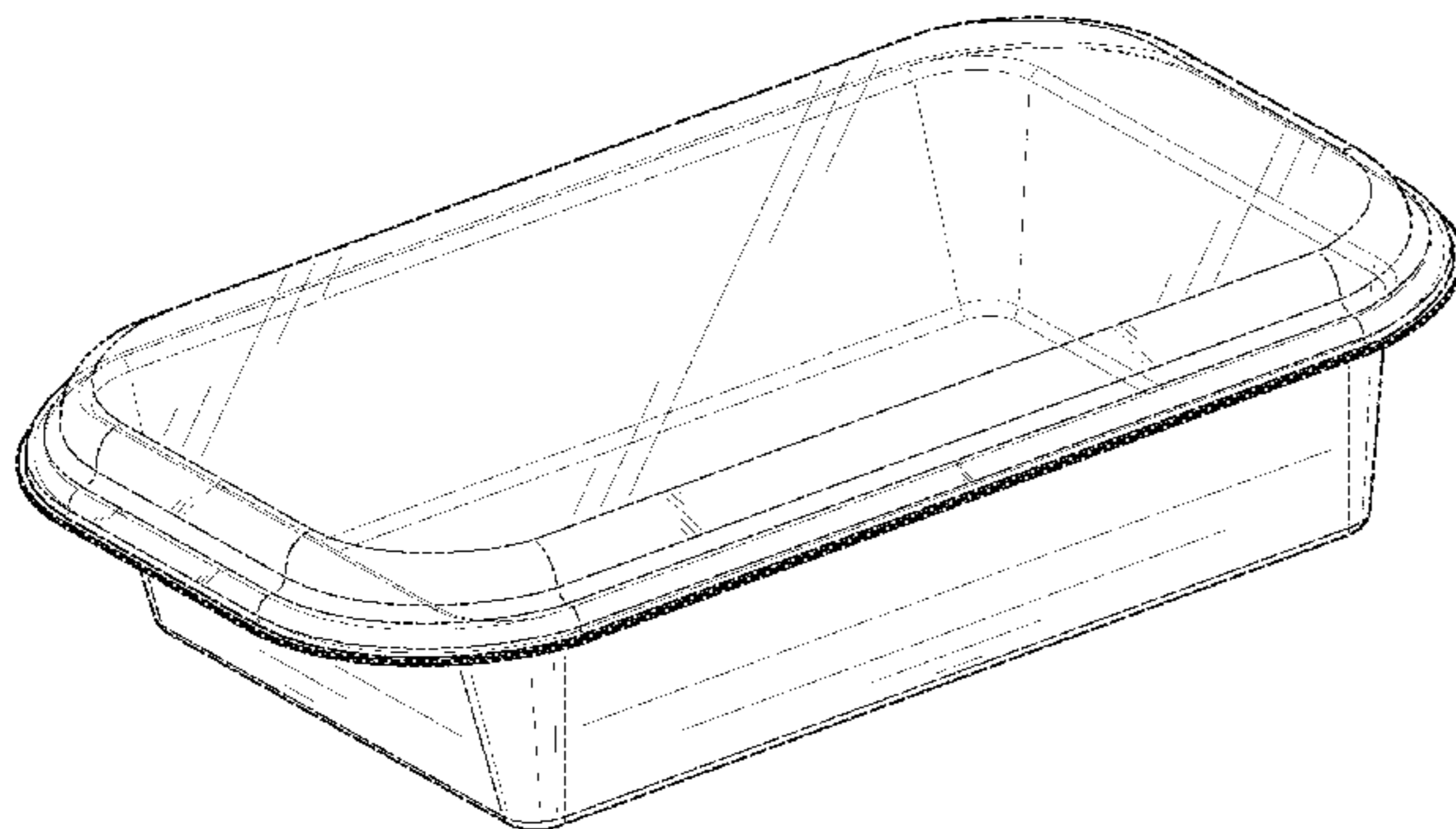
FIG. 7 is a bottom perspective view of the cooking apparatus
of FIG. 1.

FIG. 8 is a right side view of the cooking apparatus of FIG.
1.

FIG. 9 is a left side view of the cooking apparatus of FIG.
1; and,

FIG. 10 is a front perspective view of a second embodi-
ment of the cooking apparatus of FIG. 1 indicating surface shad-
ing for metal.

1 Claim, 10 Drawing Sheets



(56)

References Cited

U.S. PATENT DOCUMENTS

D583,615 S * 12/2008 Simon D7/354
D606,812 S * 12/2009 Wu D7/629
D644,884 S * 9/2011 Samartgis D7/602
D649,410 S * 11/2011 Segal D7/629
D664,427 S * 7/2012 Chen D9/425
D665,674 S * 8/2012 Wu D7/629
D713,146 S * 9/2014 Ghiorghie D3/304
D724,903 S * 3/2015 Chen D7/629
D755,579 S * 5/2016 Wu D7/629
D801,104 S * 10/2017 Mirchandani D7/354
2009/0218356 A1* 9/2009 Colacitti B29C 45/14
220/574
2010/0043239 A1 2/2010 Pittman
2011/0108556 A1 5/2011 Levie

FOREIGN PATENT DOCUMENTS

GB 2075824 A 11/1981
WO WO-8902210 A1 3/1989

* cited by examiner

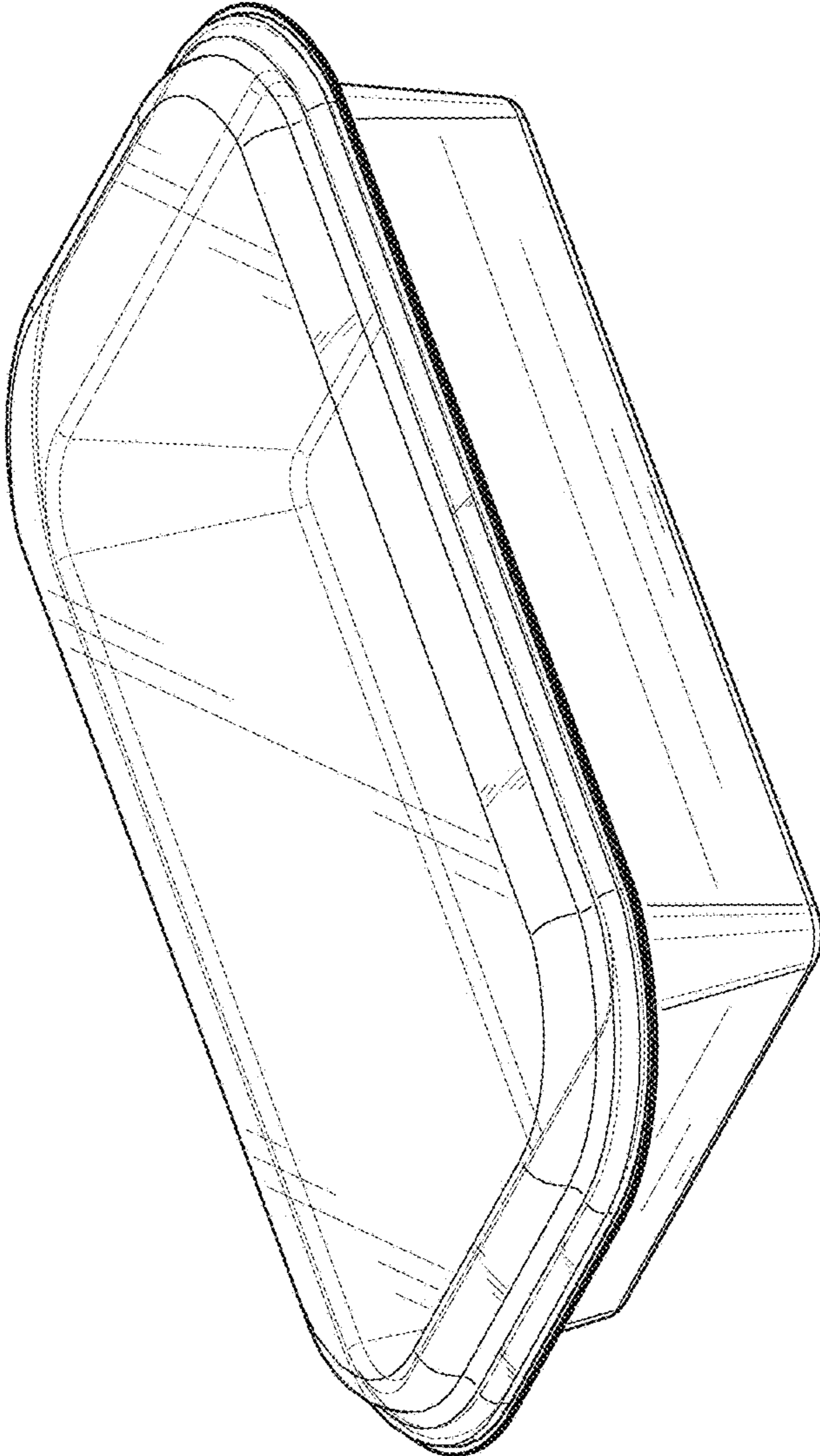


FIG. 1

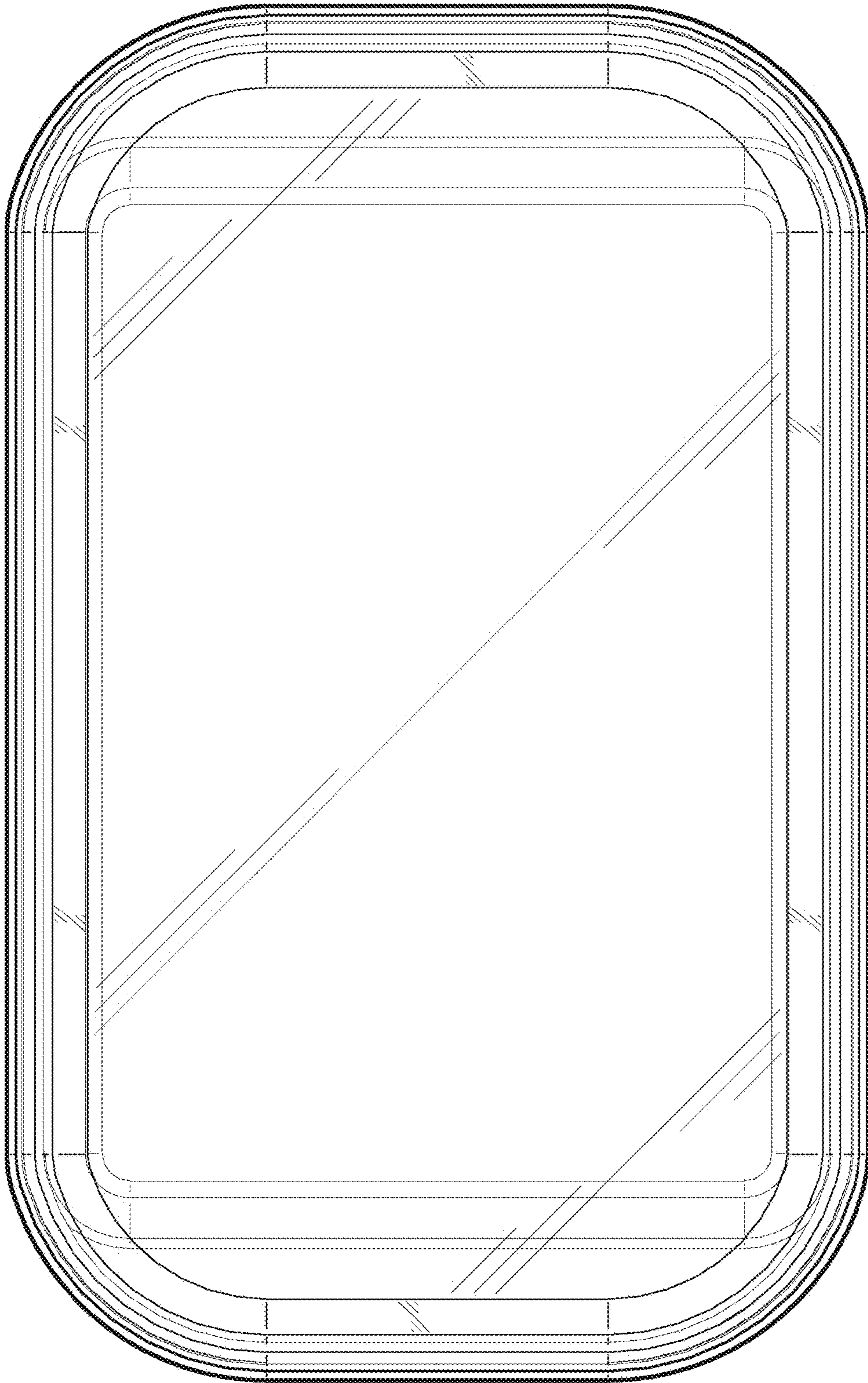


FIG. 2

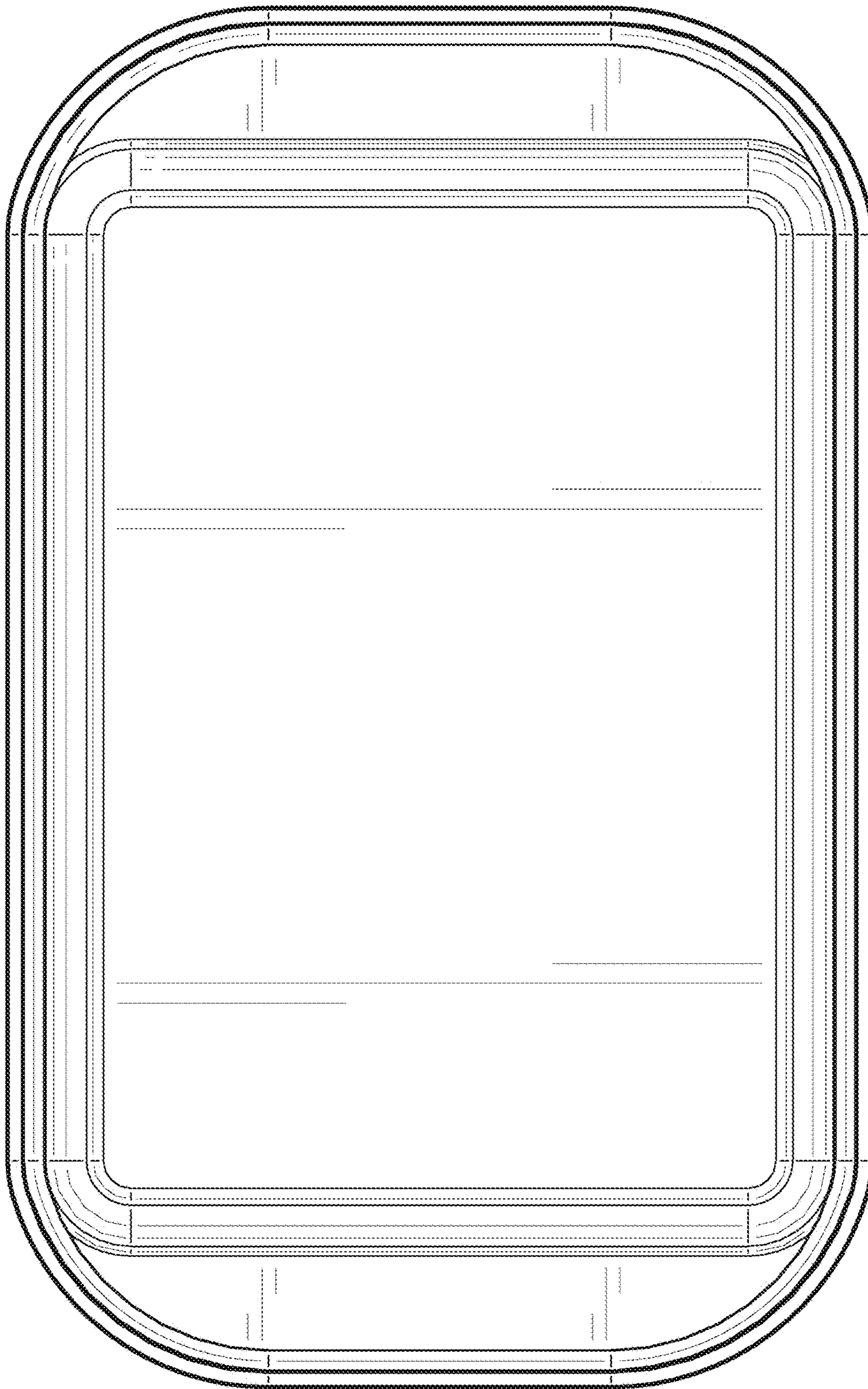


FIG. 3

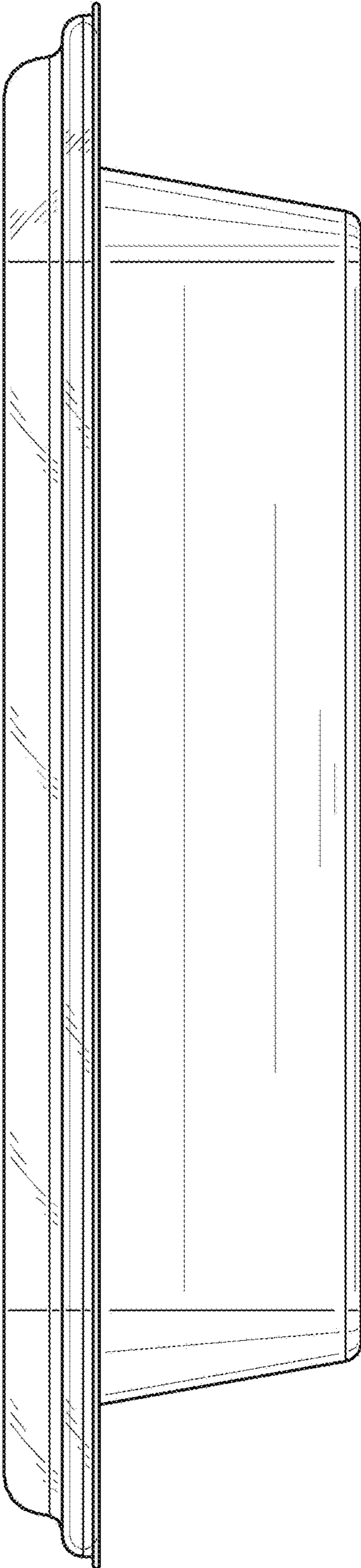


FIG. 4

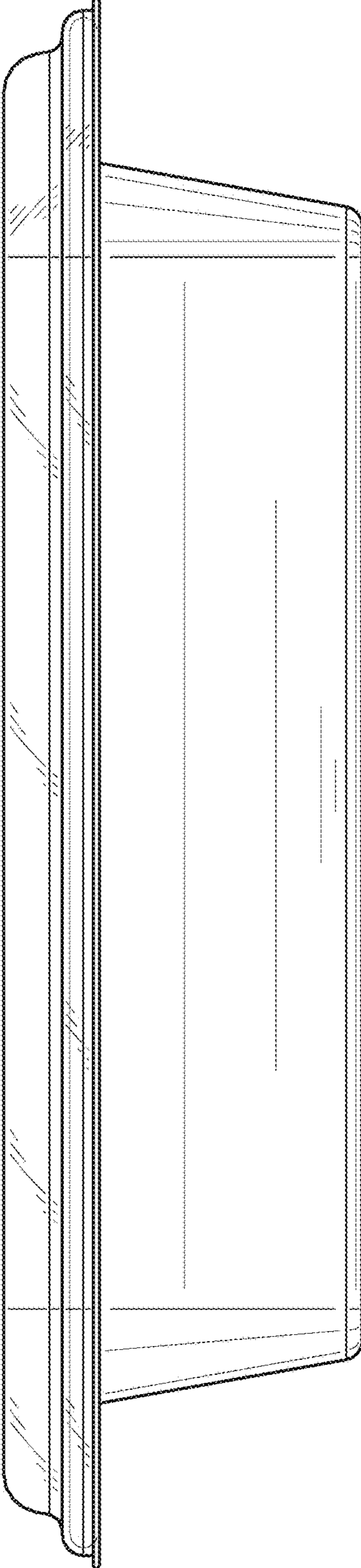


FIG. 5



FIG. 6

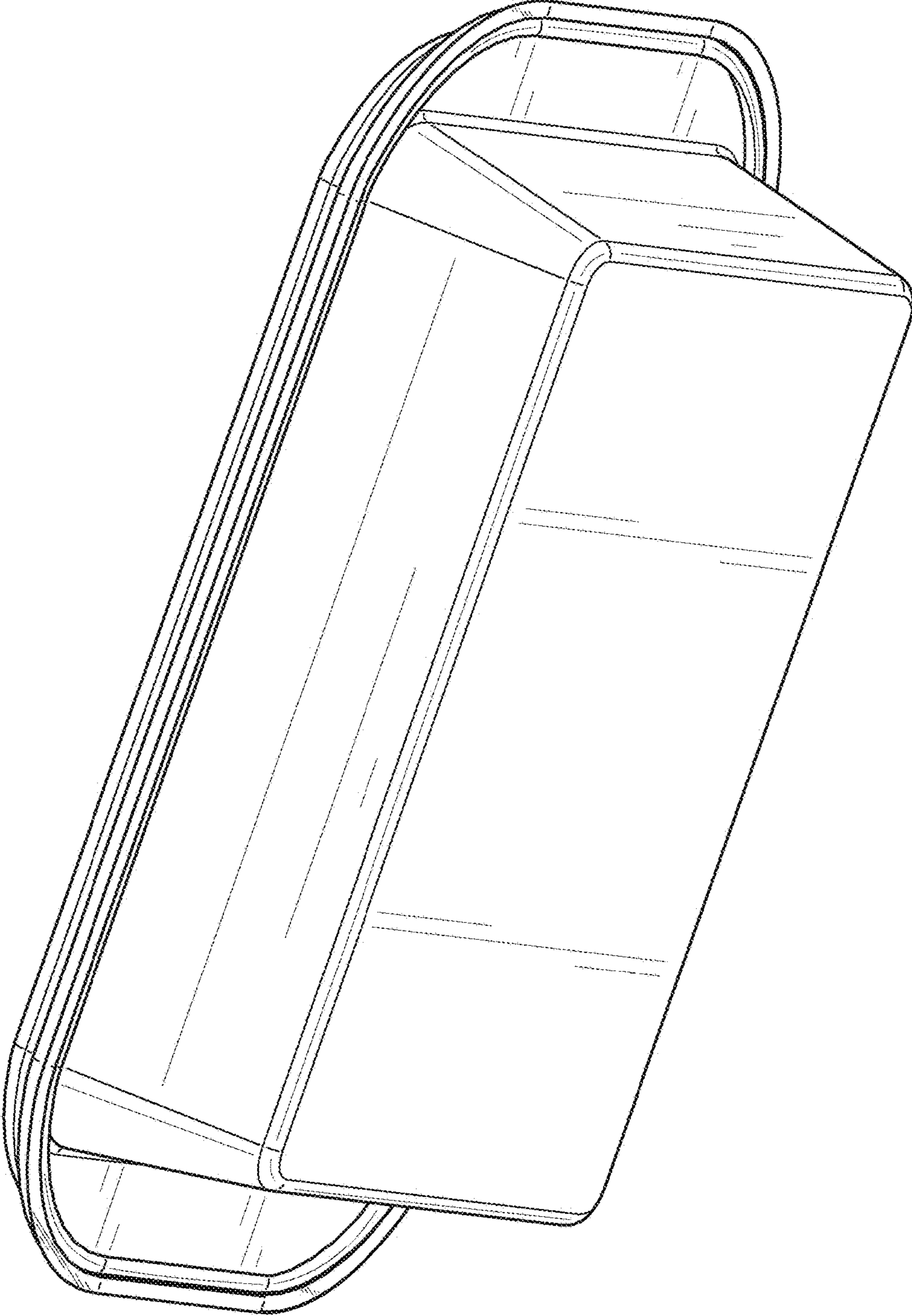


FIG. 7

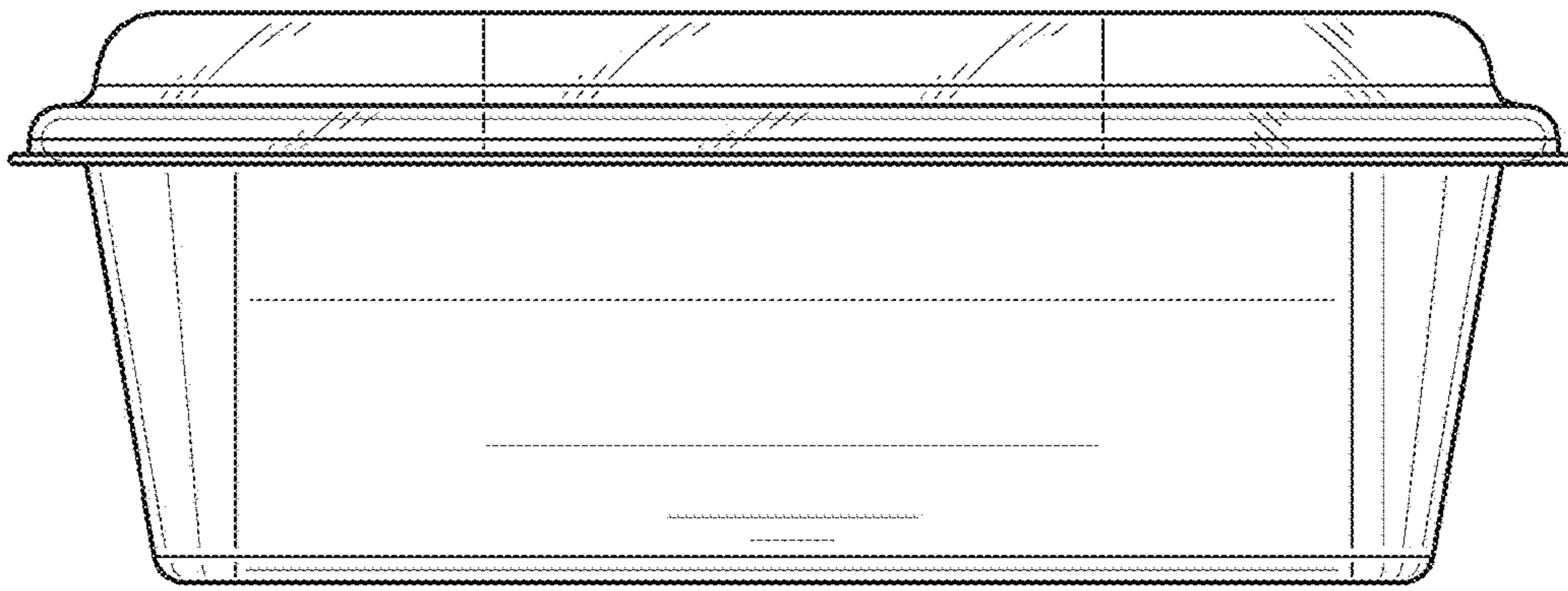


FIG. 8

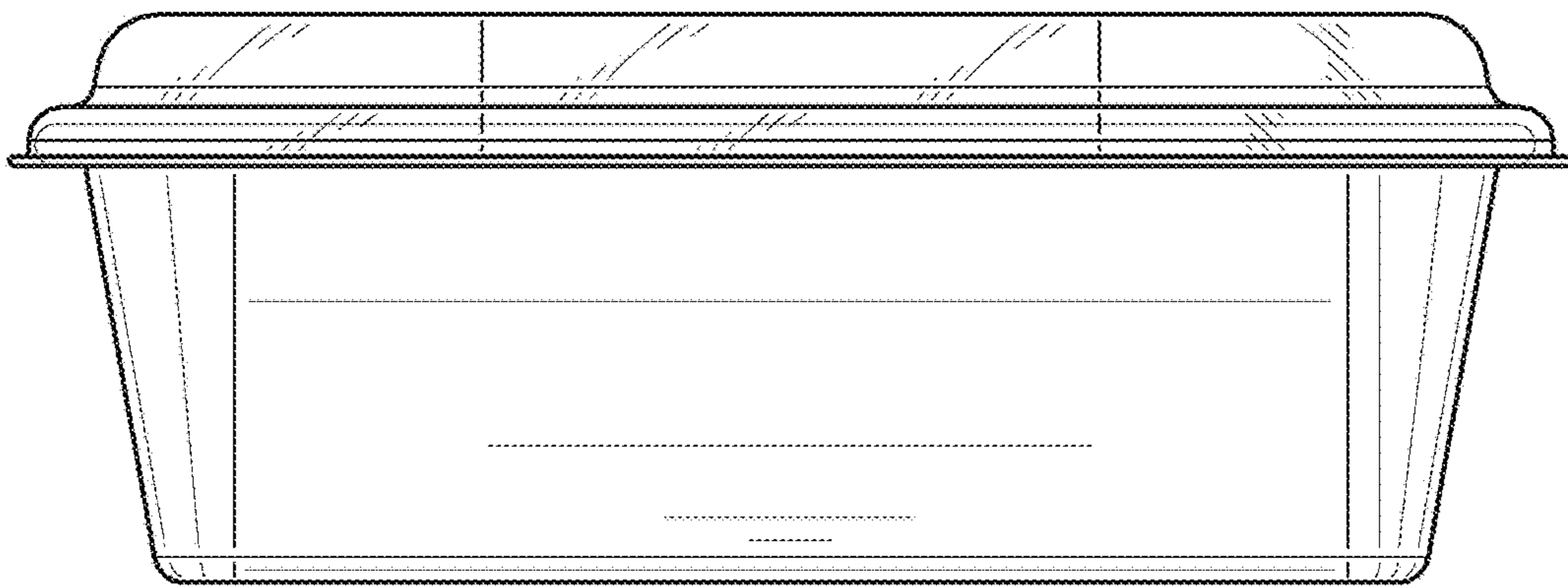


FIG. 9

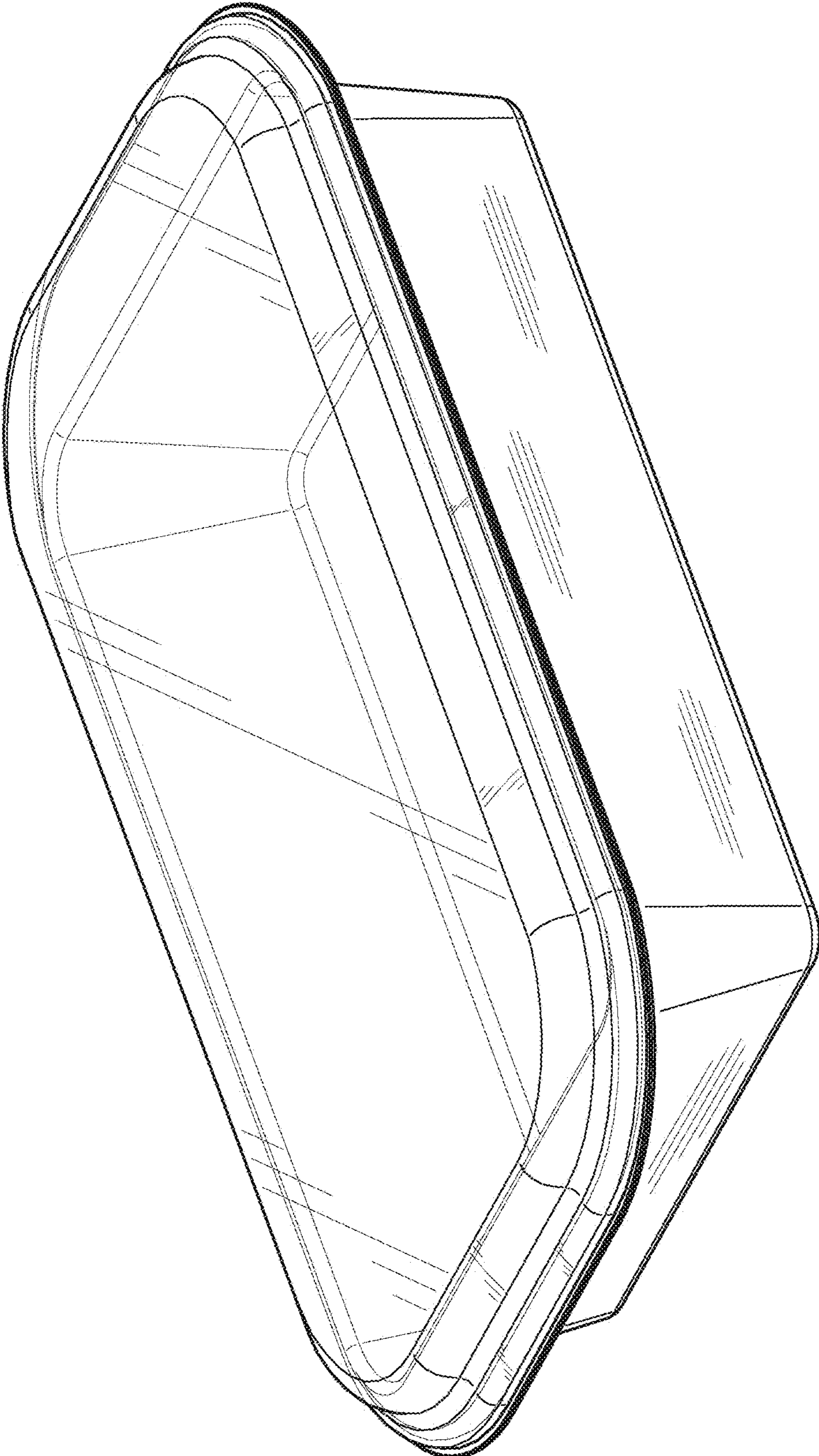


FIG. 10