



US00D815877S

(12) **United States Design Patent**  
**Stanton et al.**

(10) **Patent No.:** **US D815,877 S**  
(45) **Date of Patent:** **\*\* Apr. 24, 2018**

(54) **GRILL**

(71) Applicants: **Jacob Alan Stanton**, Chicago, IL (US);  
**Charles Young Choi**, Chicago, IL  
(US); **Mark Richard Pavel**, Lisle, IL  
(US); **Carmen Okuku Lira-Nunez**,  
Downers Grove, IL (US)

(72) Inventors: **Jacob Alan Stanton**, Chicago, IL (US);  
**Charles Young Choi**, Chicago, IL  
(US); **Mark Richard Pavel**, Lisle, IL  
(US); **Carmen Okuku Lira-Nunez**,  
Downers Grove, IL (US)

(73) Assignee: **Weber-Stephen Products LLC**,  
Palatine, IL (US)

(\*\*) Term: **15 Years**

(21) Appl. No.: **29/569,946**

(22) Filed: **Jul. 1, 2016**

(51) **LOC (11) Cl.** ..... **07-02**

(52) **U.S. Cl.**  
USPC ..... **D7/337**

(58) **Field of Classification Search**  
USPC ..... D7/332-337, 402-411; 126/152 R, 25 R  
CPC .. A47J 37/067; A47J 37/0694; A47J 37/0786;  
A47J 37/0704; A47J 37/0713; A47J  
37/0781; A47J 37/0777; A47J 37/0763;  
A47J 37/0611; A47J 37/0709; A47J  
37/0676; F24C 15/16  
See application file for complete search history.

(56) **References Cited**

**U.S. PATENT DOCUMENTS**

D449,492 S \* 10/2001 Wagner ..... D7/332  
D457,030 S 5/2002 DeMars  
D458,506 S \* 6/2002 DeMars ..... D7/332

D460,312 S \* 7/2002 Fry ..... D7/334  
6,606,987 B2 8/2003 DeMars  
D486,033 S \* 2/2004 Tseng ..... D7/334  
D503,582 S 4/2005 Johnson  
6,910,476 B2 6/2005 Johnson  
6,976,485 B2 12/2005 Johnson  
6,981,497 B2 1/2006 DeMars  
D544,289 S \* 6/2007 Tseng ..... D7/332

(Continued)

**OTHER PUBLICATIONS**

Napoleon Portable Grills (web page).

(Continued)

*Primary Examiner* — Susan Bennett Hattan

*Assistant Examiner* — Brett Miller

(74) *Attorney, Agent, or Firm* — Vitale, Vickrey, Niro &  
Gasey LLP

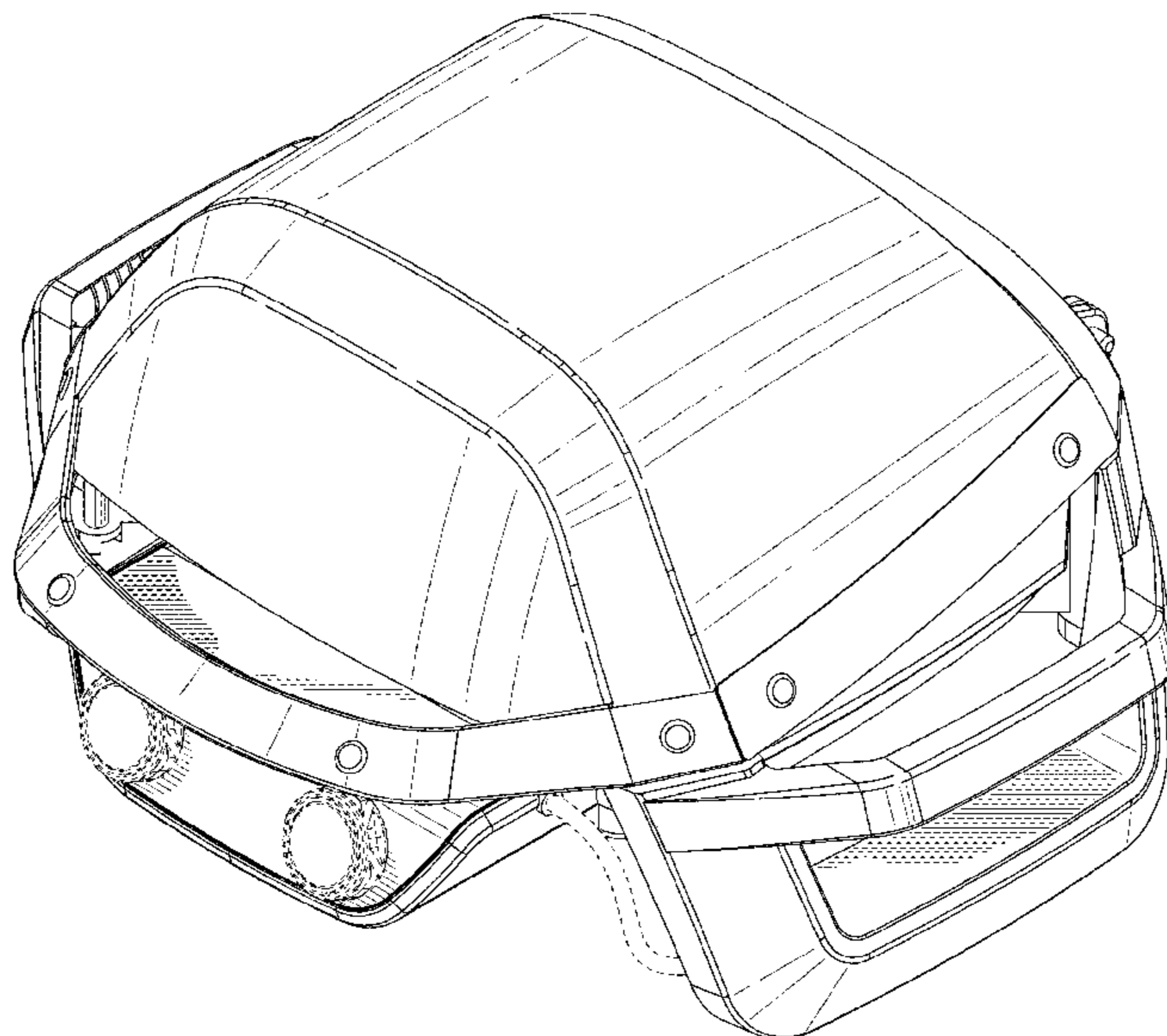
(57) **CLAIM**

The ornamental design for a grill, as shown and described.

**DESCRIPTION**

FIG. 1 is a right side perspective view of a grill of the present invention;  
FIG. 2 is a bottom perspective view of the grill of the present invention;  
FIG. 3 is a top view of the grill of the present invention;  
FIG. 4 is a front view of the grill of the present invention;  
FIG. 5 is a left side view of the grill of the present invention, the right side view being a mirror image of the left side view;  
FIG. 6 is a rear view of the grill of the present invention; and,  
FIG. 7 is a bottom view of the grill of the present invention.  
The broken lines shown in the Figures depict environment and form no part of the claimed design. The dash-dot broken lines in the Figures depict boundaries of the claimed design that form no part thereof.

**1 Claim, 7 Drawing Sheets**



(56)

**References Cited**

U.S. PATENT DOCUMENTS

D547,593 S \* 7/2007 May ..... D7/334  
7,438,071 B2 10/2008 Johnson  
D608,580 S \* 1/2010 Pai ..... D7/334  
7,762,429 B2 7/2010 Johnson  
D636,628 S \* 4/2011 Chung ..... D7/334  
D689,322 S \* 9/2013 Chung ..... D7/332  
D747,910 S 1/2016 Costa  
2003/0029436 A1\* 2/2003 Carden ..... A47J 37/0786  
126/41 R

OTHER PUBLICATIONS

Tepro Table Top Gas Grill "Abington" (Grills & Accessories manual, p. 55).  
Charbroil Portable Grill2Go X200 Gas Grill (web page).

\* cited by examiner

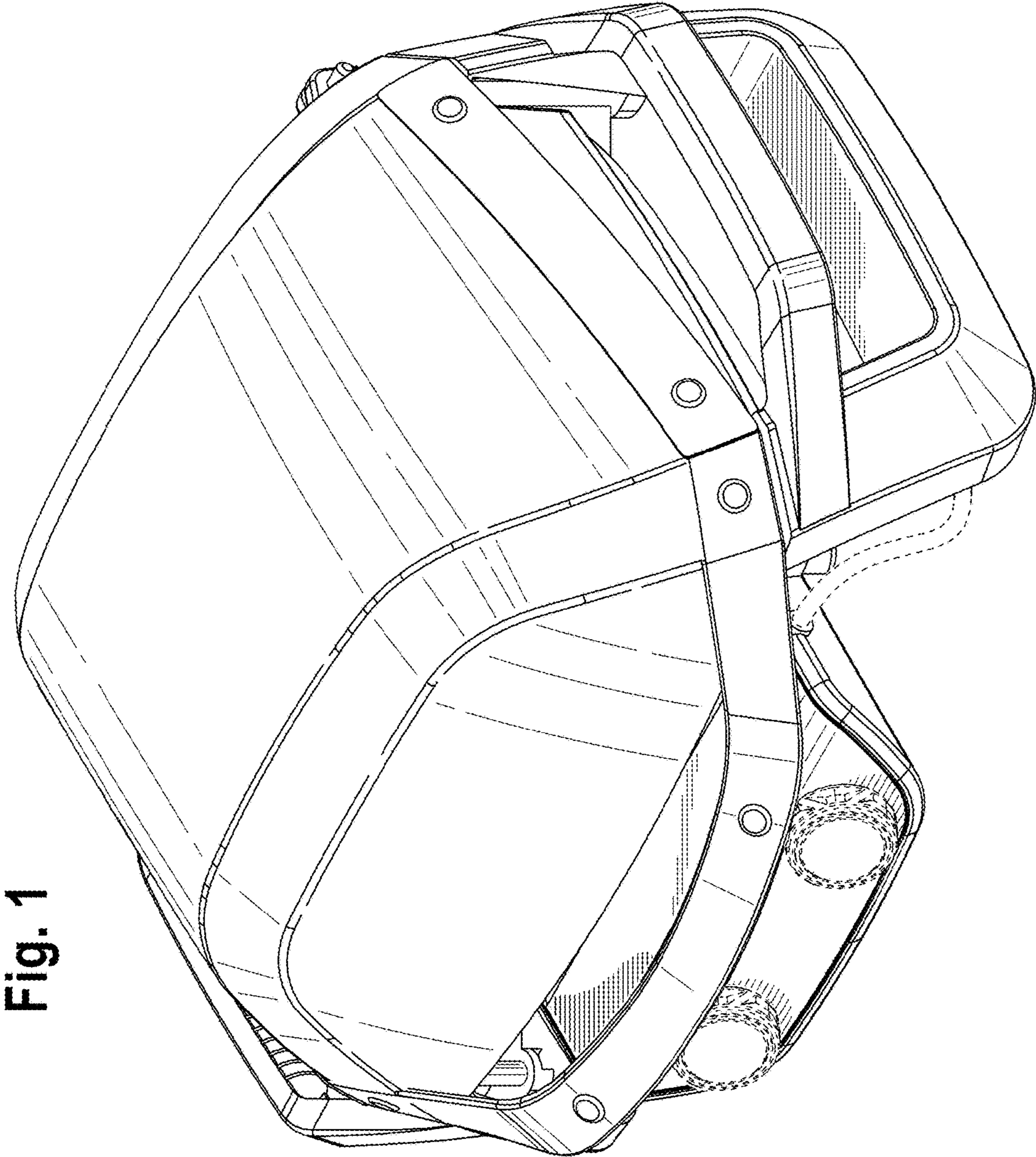


Fig. 1

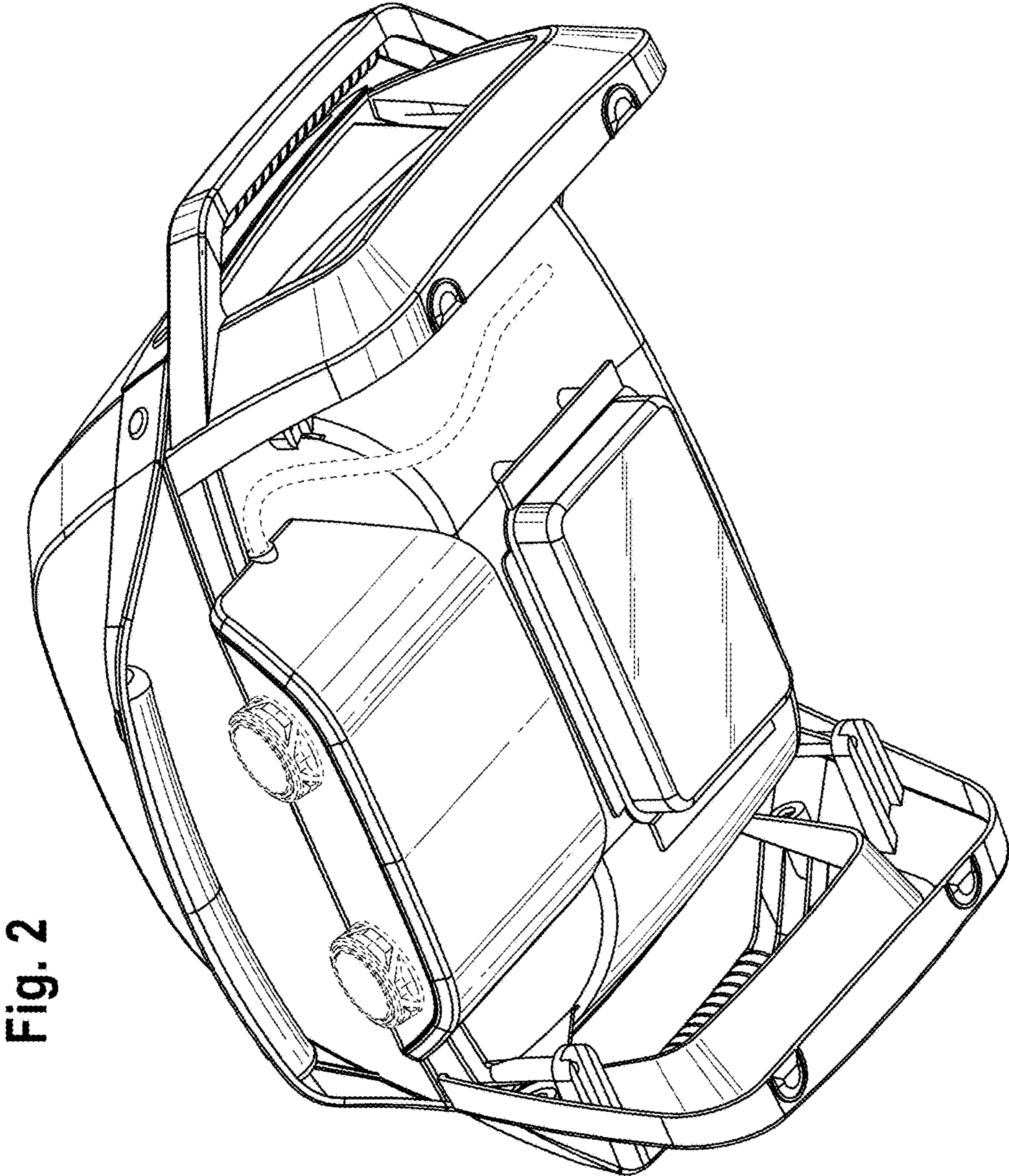


Fig. 2

Fig. 3

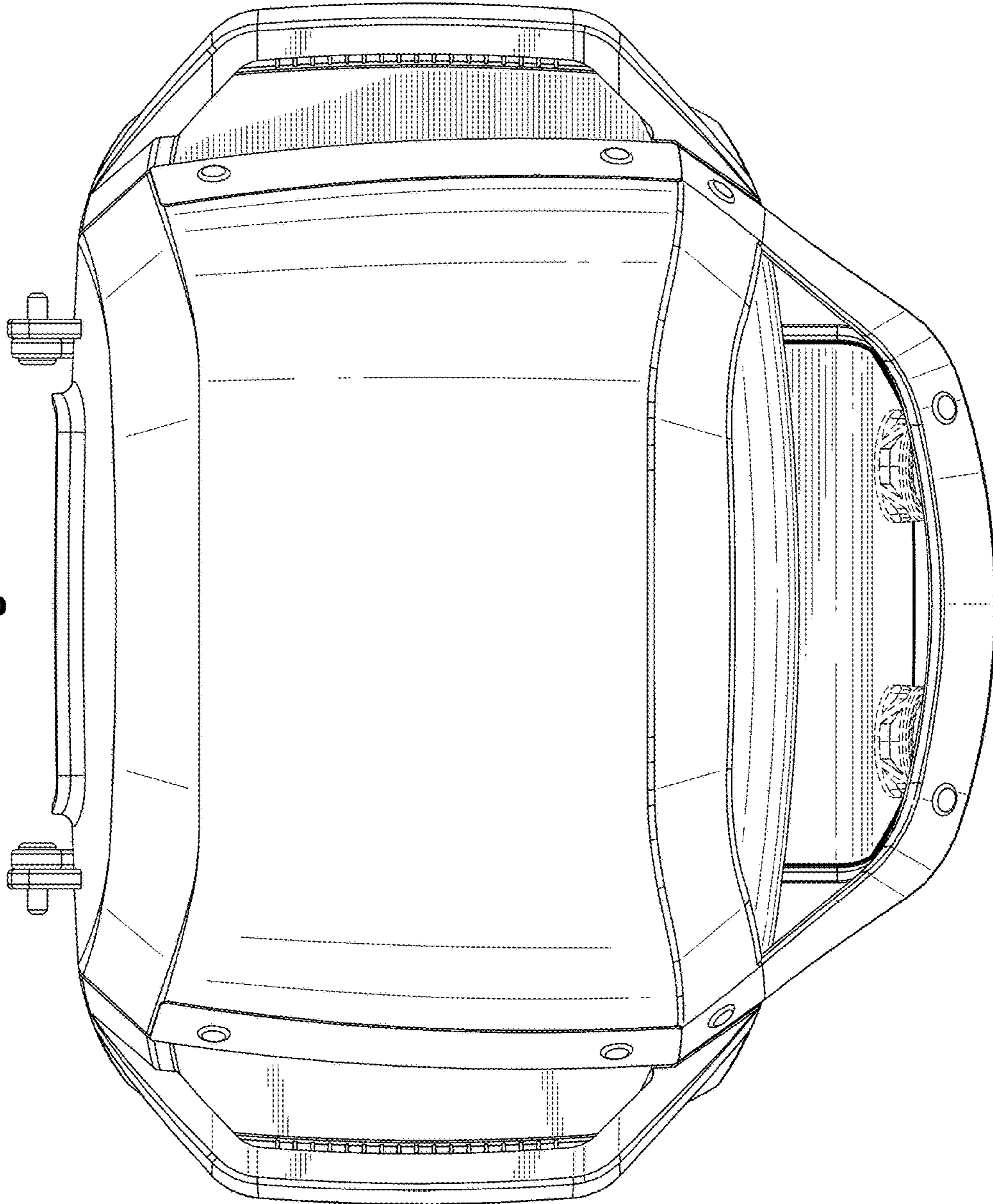


Fig. 4

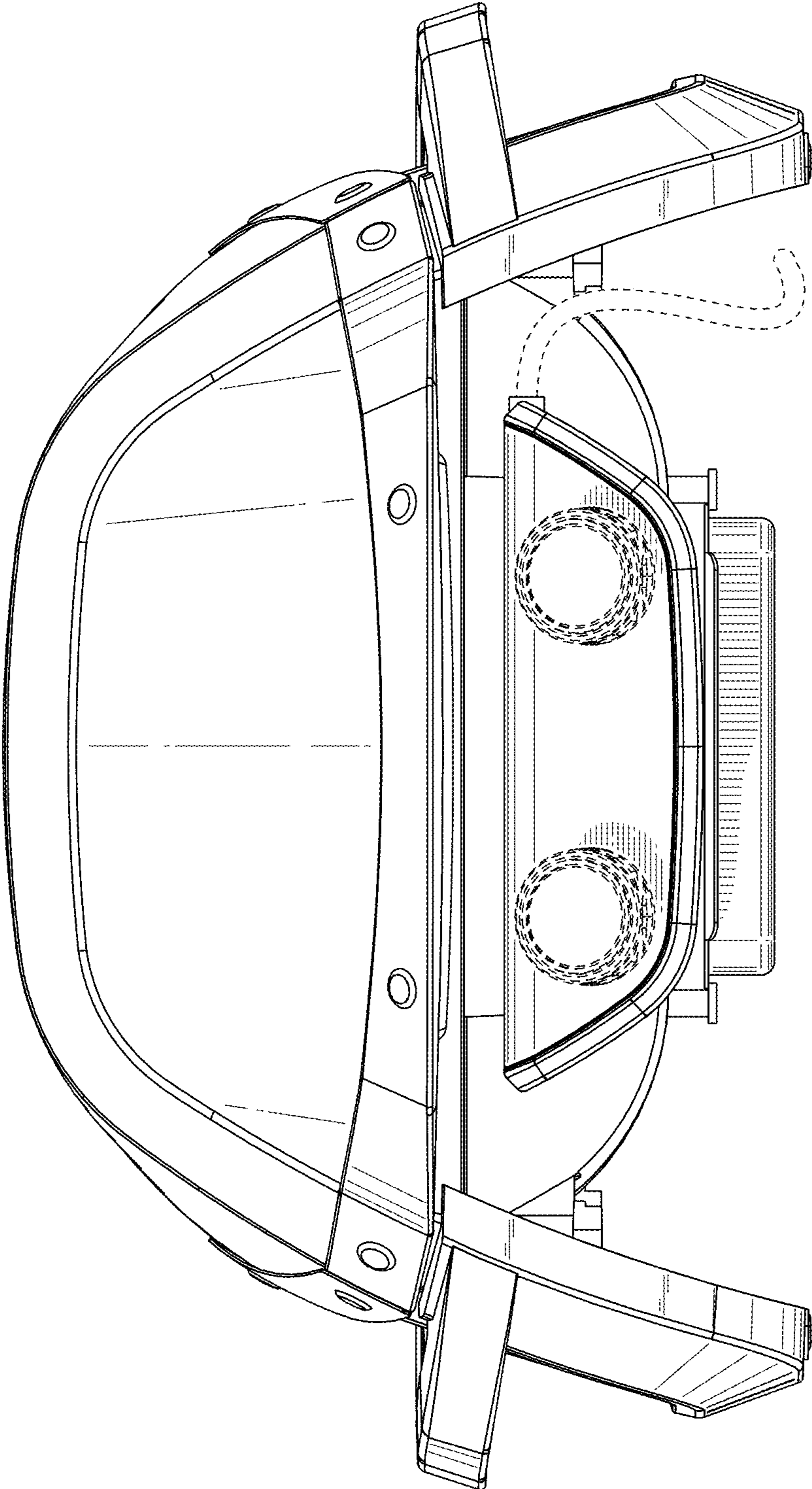


Fig. 5

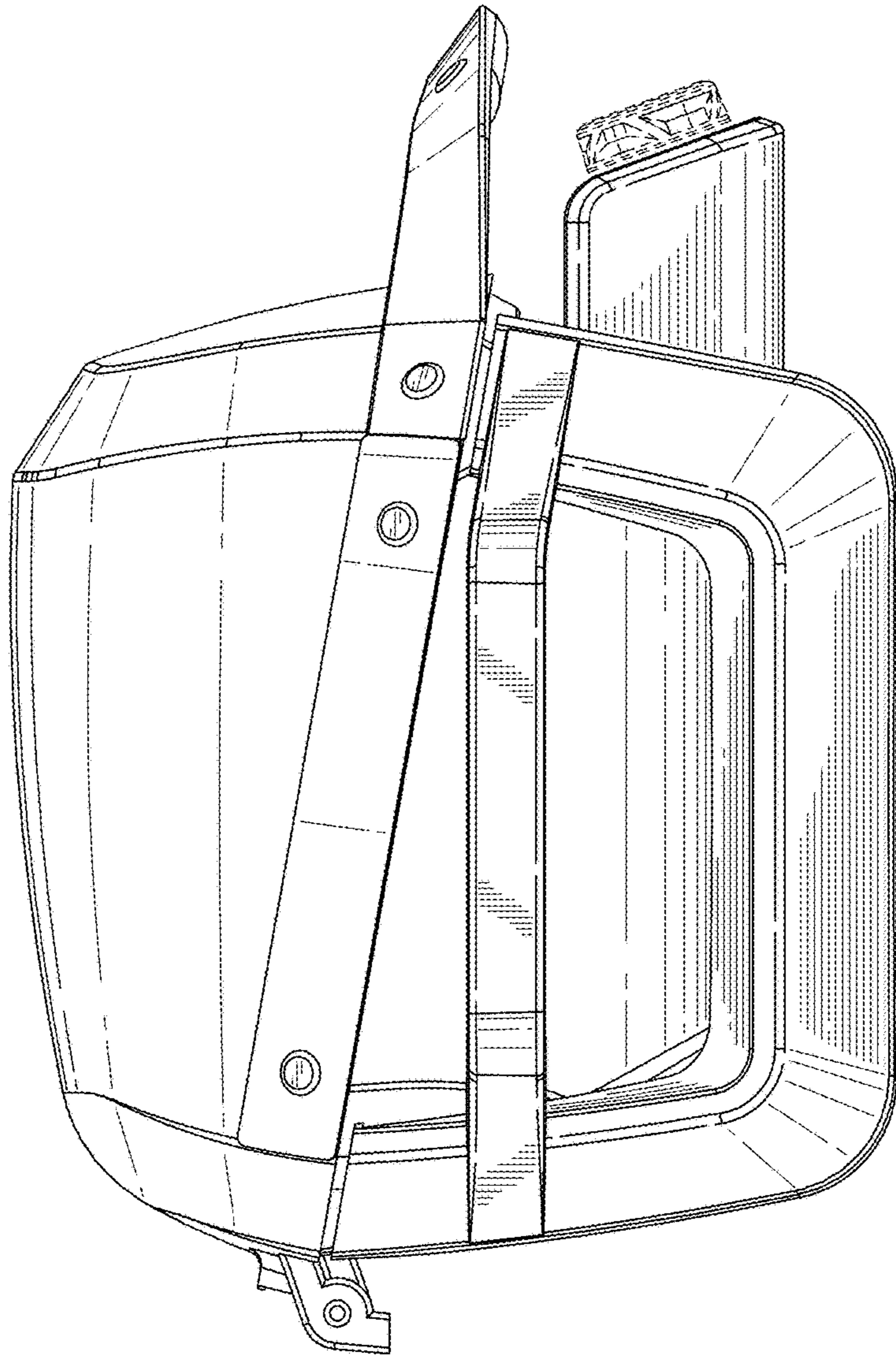


Fig. 6

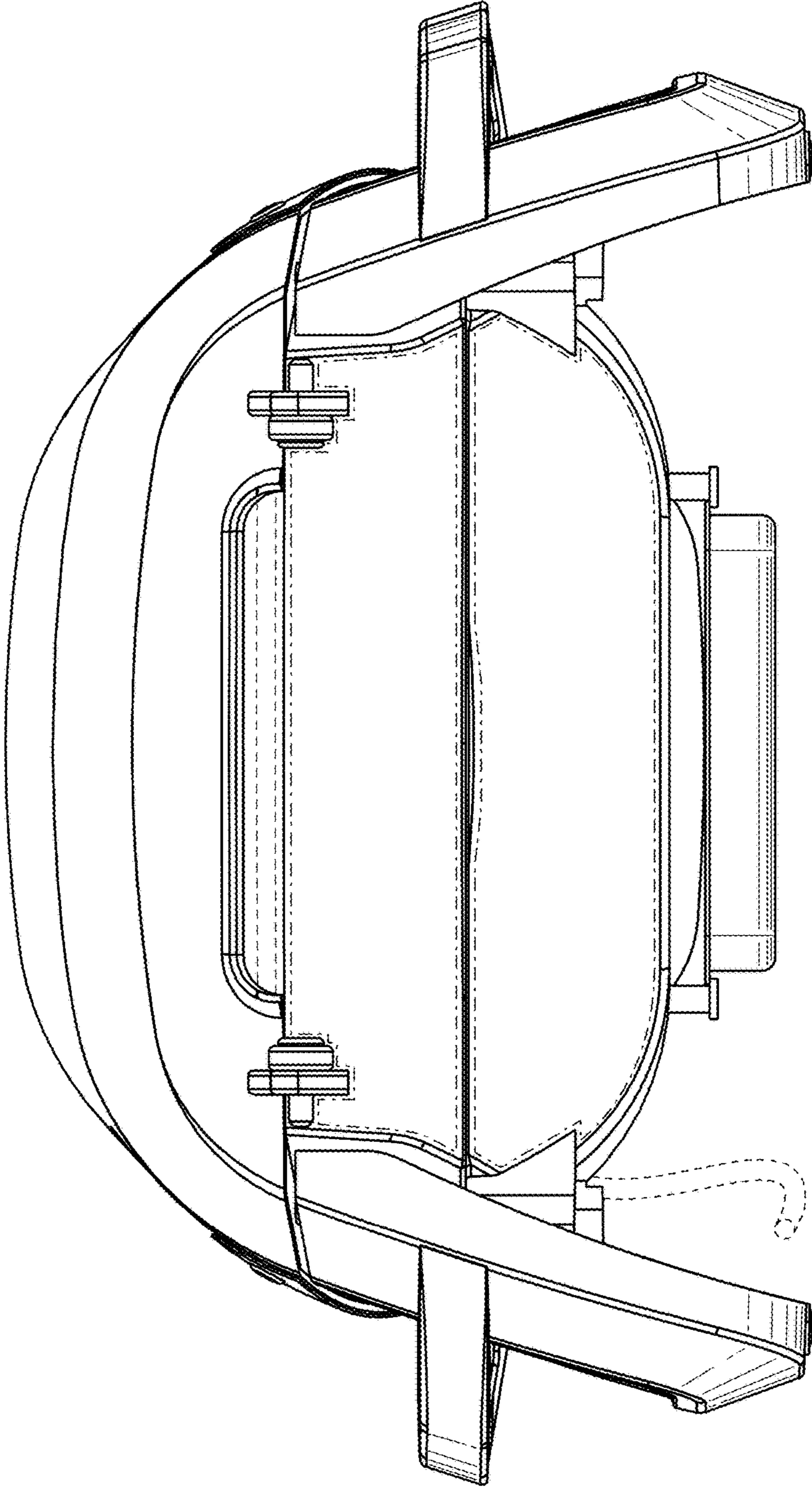




Fig. 7

