



US00D815876S

(12) **United States Design Patent**  
**Stanton et al.**

(10) **Patent No.:** **US D815,876 S**  
(45) **Date of Patent:** **\*\* Apr. 24, 2018**

(54) **GRILL WITH CART**  
(71) Applicants: **Jacob Alan Stanton**, Chicago, IL (US);  
**Charles Young Choi**, Chicago, IL  
(US); **Mark Richard Pavel**, Lisle, IL  
(US); **Carmen Okuku Lira-Nunez**,  
Downers Grove, IL (US)

6,910,476 B2 6/2005 Johnson  
6,976,485 B2 12/2005 Johnson  
6,981,497 B2 1/2006 DeMars  
D521,307 S \* 5/2006 Parrant ..... D7/334  
D547,593 S \* 7/2007 May ..... D7/334  
7,438,071 B2 10/2008 Johnson  
D604,090 S \* 11/2009 Proffitt ..... D7/334  
(Continued)

(72) Inventors: **Jacob Alan Stanton**, Chicago, IL (US);  
**Charles Young Choi**, Chicago, IL  
(US); **Mark Richard Pavel**, Lisle, IL  
(US); **Carmen Okuku Lira-Nunez**,  
Downers Grove, IL (US)

**OTHER PUBLICATIONS**

Napoleon Portable Grills (web page).  
(Continued)

(73) Assignee: **Weber-Stephen Products LLC**,  
Palatine, IL (US)

*Primary Examiner* — Susan Benett Hattan  
*Assistant Examiner* — Brett Mill  
(74) *Attorney, Agent, or Firm* — Vitale, Vickrey, Niro &  
Gasey LLP

(\*\*) Term: **15 Years**

(57) **CLAIM**

(21) Appl. No.: **29/569,954**

The ornamental design for a grill with cart, as shown and  
described.

(22) Filed: **Jul. 1, 2016**

(51) **LOC (11) Cl.** ..... **07-02**

(52) **U.S. Cl.**  
USPC ..... **D7/334**

**DESCRIPTION**

(58) **Field of Classification Search**  
USPC ..... D7/332-337, 402-411; 126/152 R, 25 R  
CPC .. A47J 37/067; A47J 37/0694; A47J 37/0786;  
A47J 37/0704; A47J 37/0713; A47J  
37/0781; A47J 37/0777; A47J 37/0763;  
A47J 37/0611; A47J 37/0709; A47J  
37/0676; F24C 15/16  
See application file for complete search history.

FIG. 1 is a right side perspective view of a grill with cart of  
the present invention;  
FIG. 2 is a front view of the grill with cart of the present  
invention;  
FIG. 3 is a left side view of the grill with cart of the present  
invention;  
FIG. 4 is a top view of the grill with cart of the present  
invention;  
FIG. 5 is a right side view of the grill with cart of the present  
invention;  
FIG. 6 is a rear view of the grill with cart of the present  
invention; and,  
FIG. 7 is a bottom view of the grill with cart of the present  
invention.

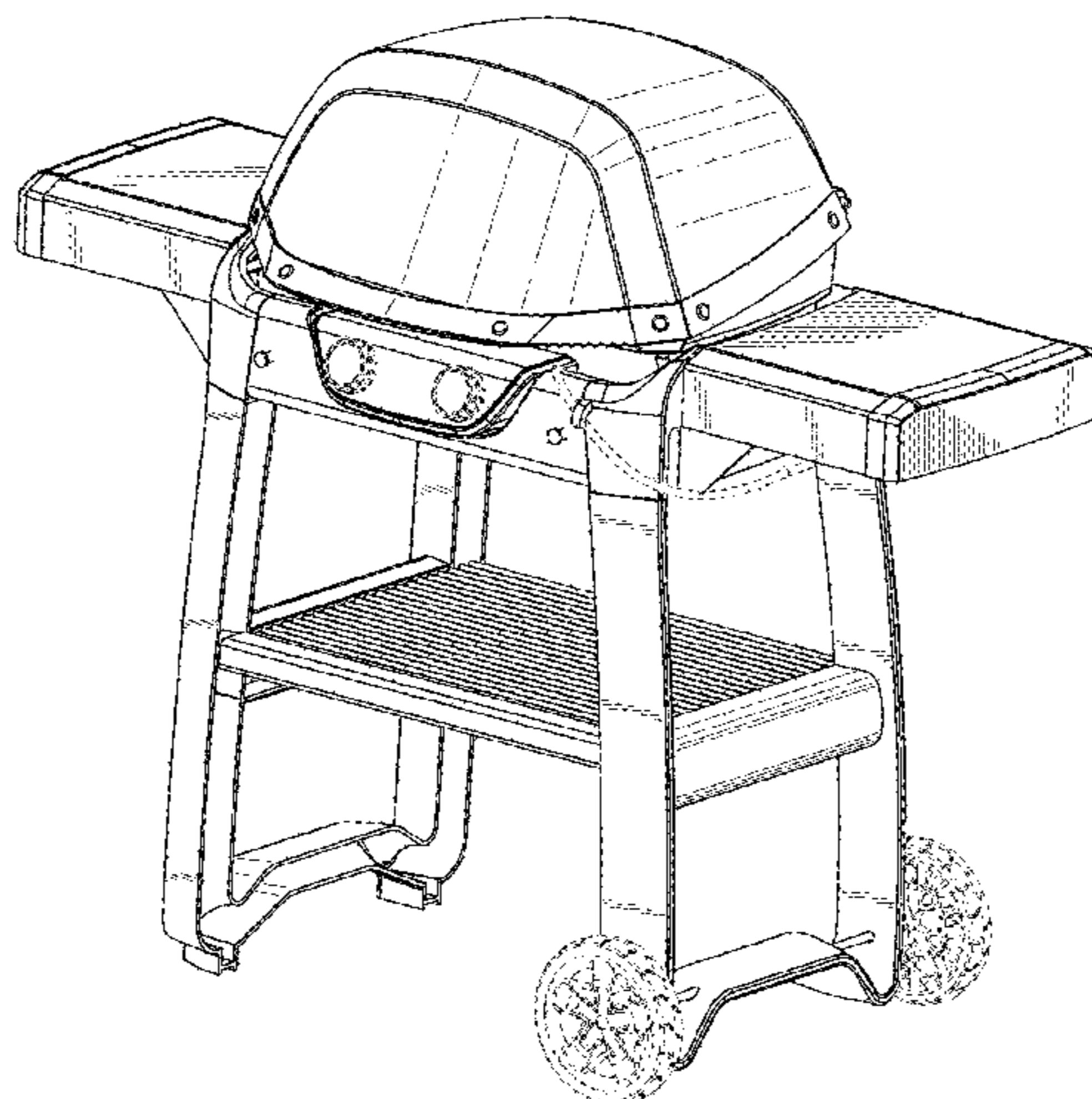
The broken lines shown in the Figures depict environment  
and form no part of the claimed design.

(56) **References Cited**

**U.S. PATENT DOCUMENTS**

D457,030 S 5/2002 DeMars  
D460,312 S \* 7/2002 Fry ..... D7/334  
6,606,987 B2 8/2003 DeMars  
D486,033 S \* 2/2004 Tseng ..... D7/334  
D502,357 S \* 3/2005 Pai ..... D7/334  
D503,582 S 4/2005 Johnson

**1 Claim, 7 Drawing Sheets**



(56)

**References Cited**

U.S. PATENT DOCUMENTS

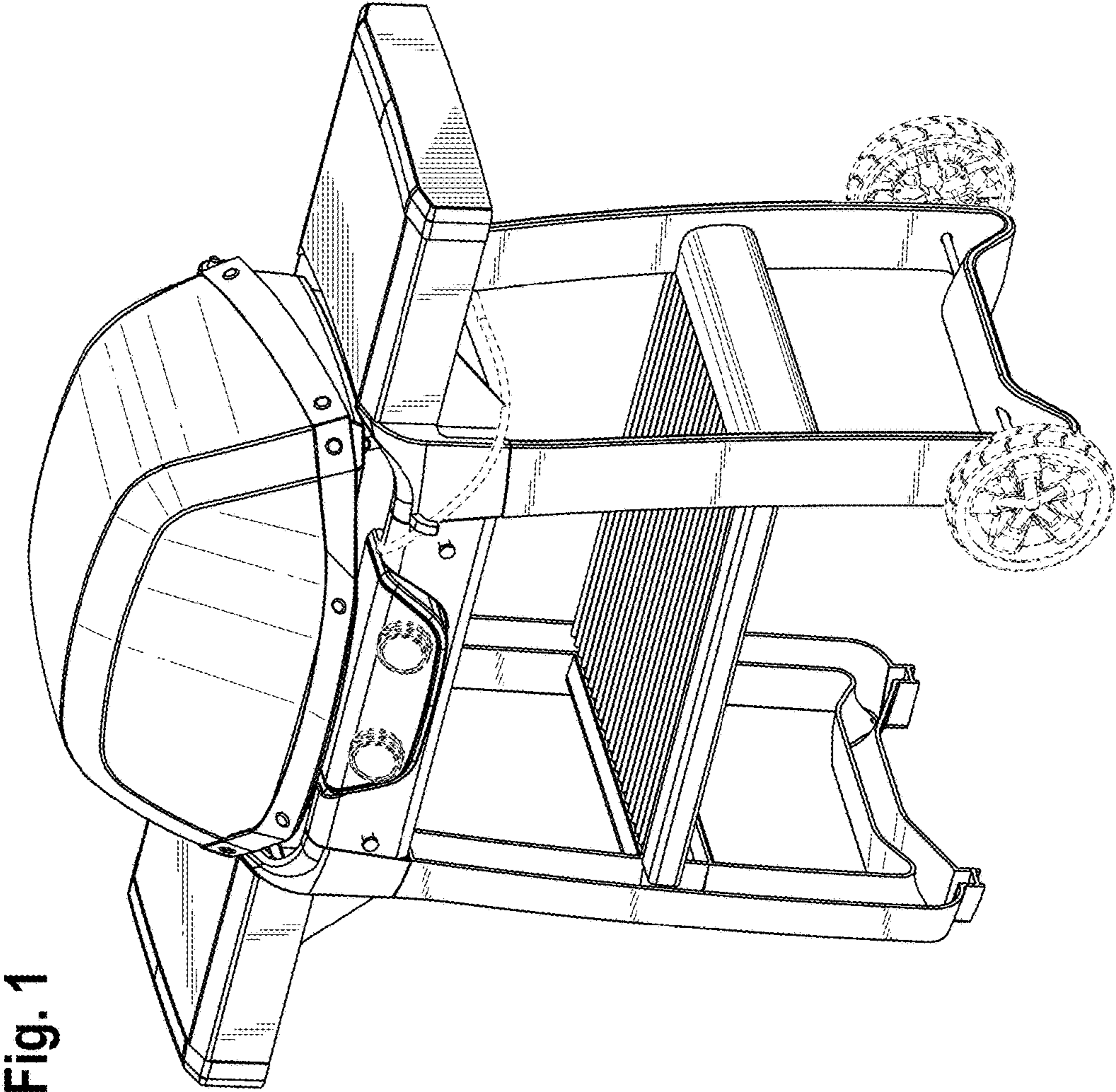
D618,483 S \* 6/2010 Chung ..... D7/334  
7,762,429 B2 7/2010 Johnson  
D627,590 S \* 11/2010 Proffitt ..... D7/334  
D636,628 S \* 4/2011 Chung ..... D7/334  
D726,491 S \* 4/2015 Witzel ..... D7/334  
D747,910 S 1/2016 Costa  
2003/0029436 A1\* 2/2003 Carden ..... A47J 37/0786  
126/41 R

OTHER PUBLICATIONS

Tepro Table Top Gas Grill "Abington" (Grills & Accessories manual, p. 55).

Charbroil Portable Grill2Go X200 Gas Grill (web page).

\* cited by examiner



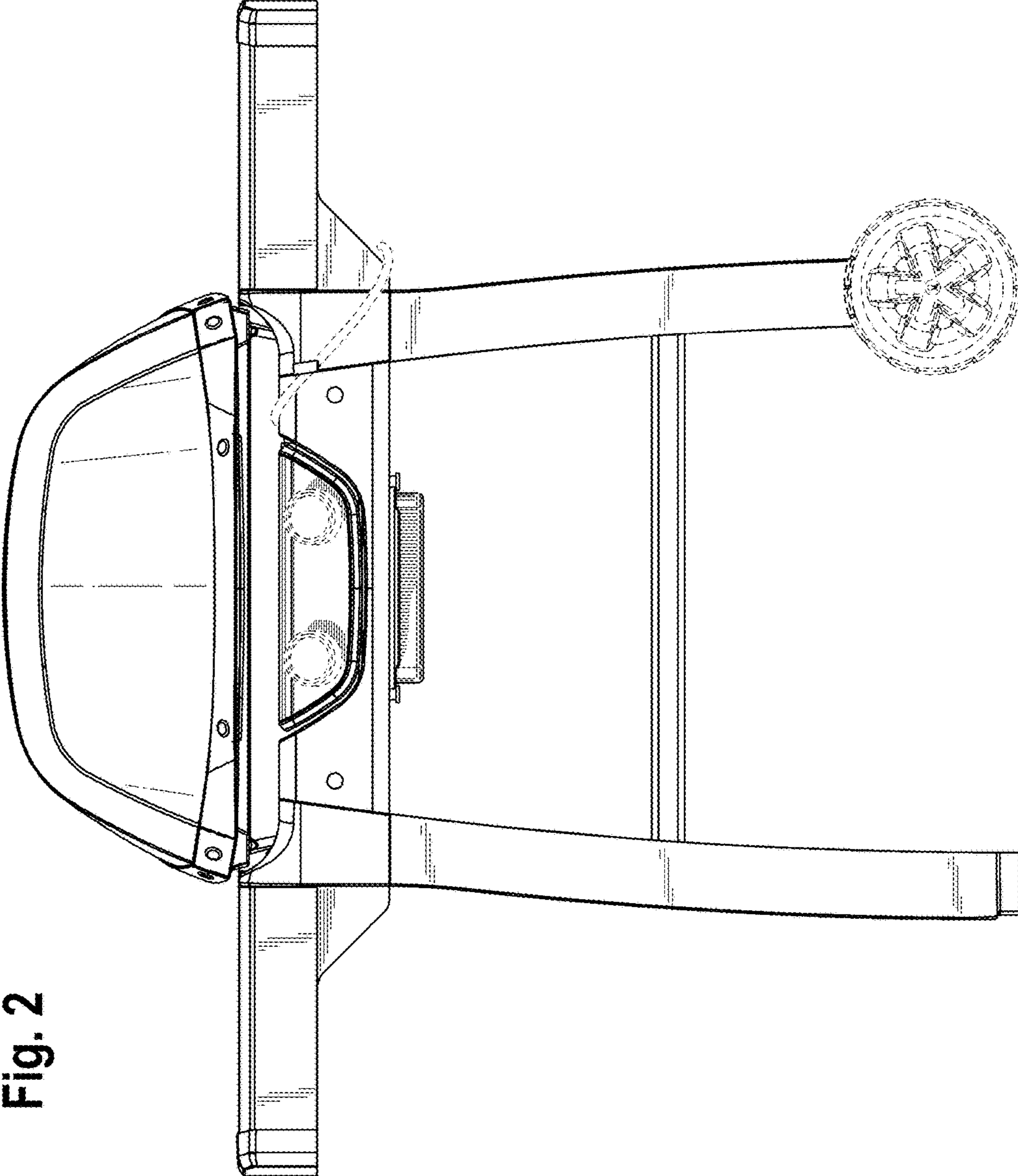


Fig. 2

Fig. 3

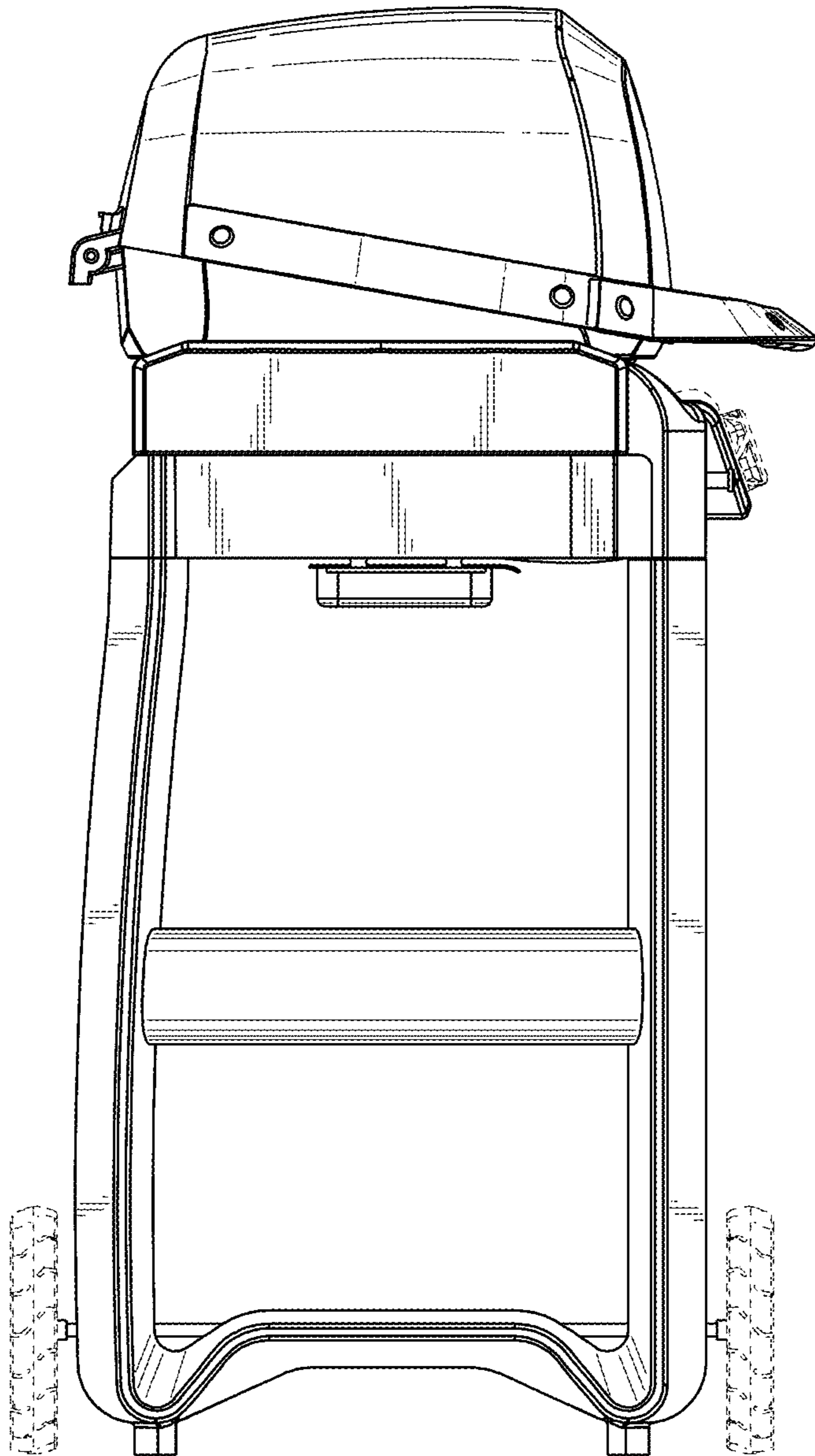


Fig. 4

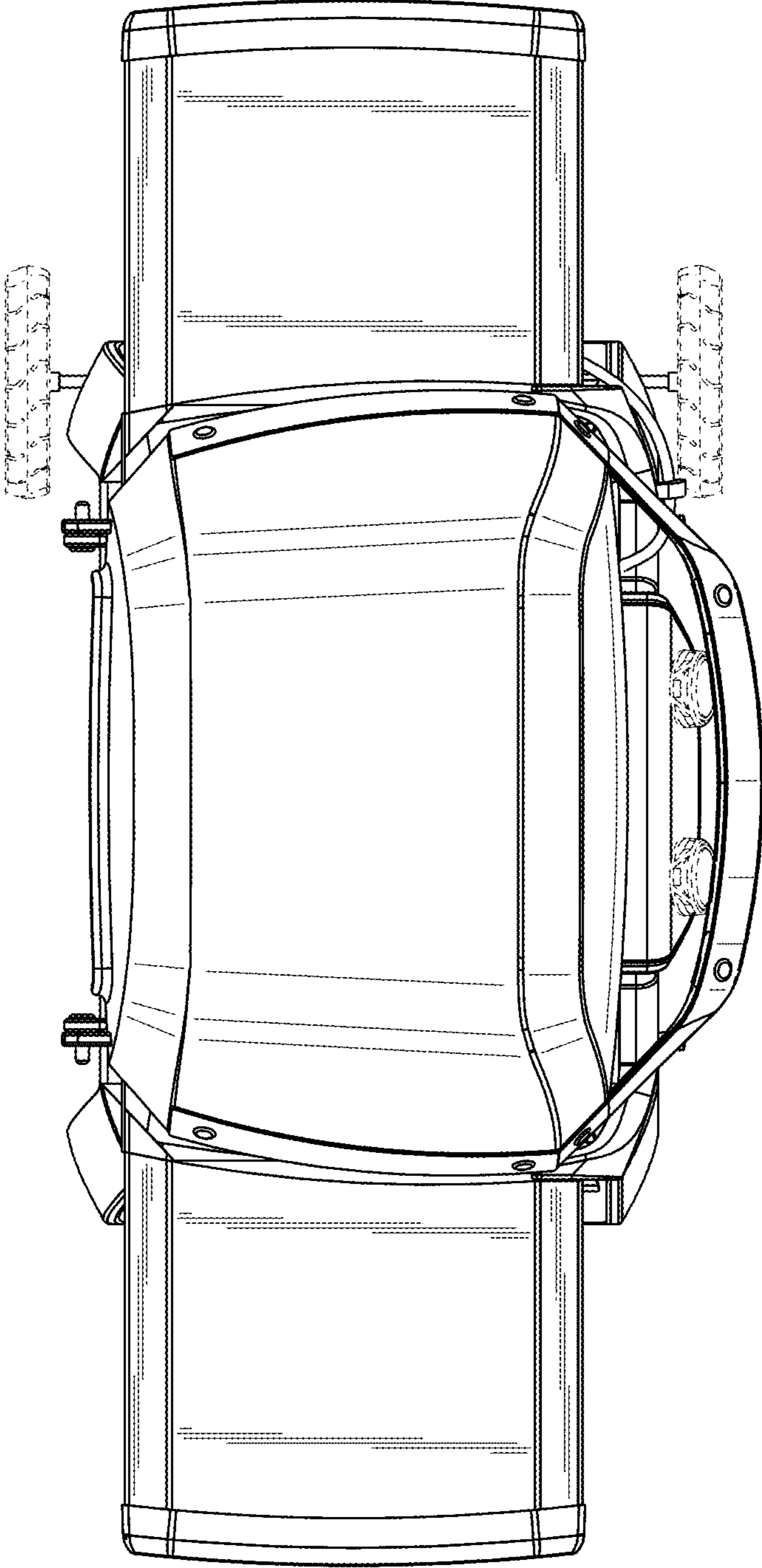
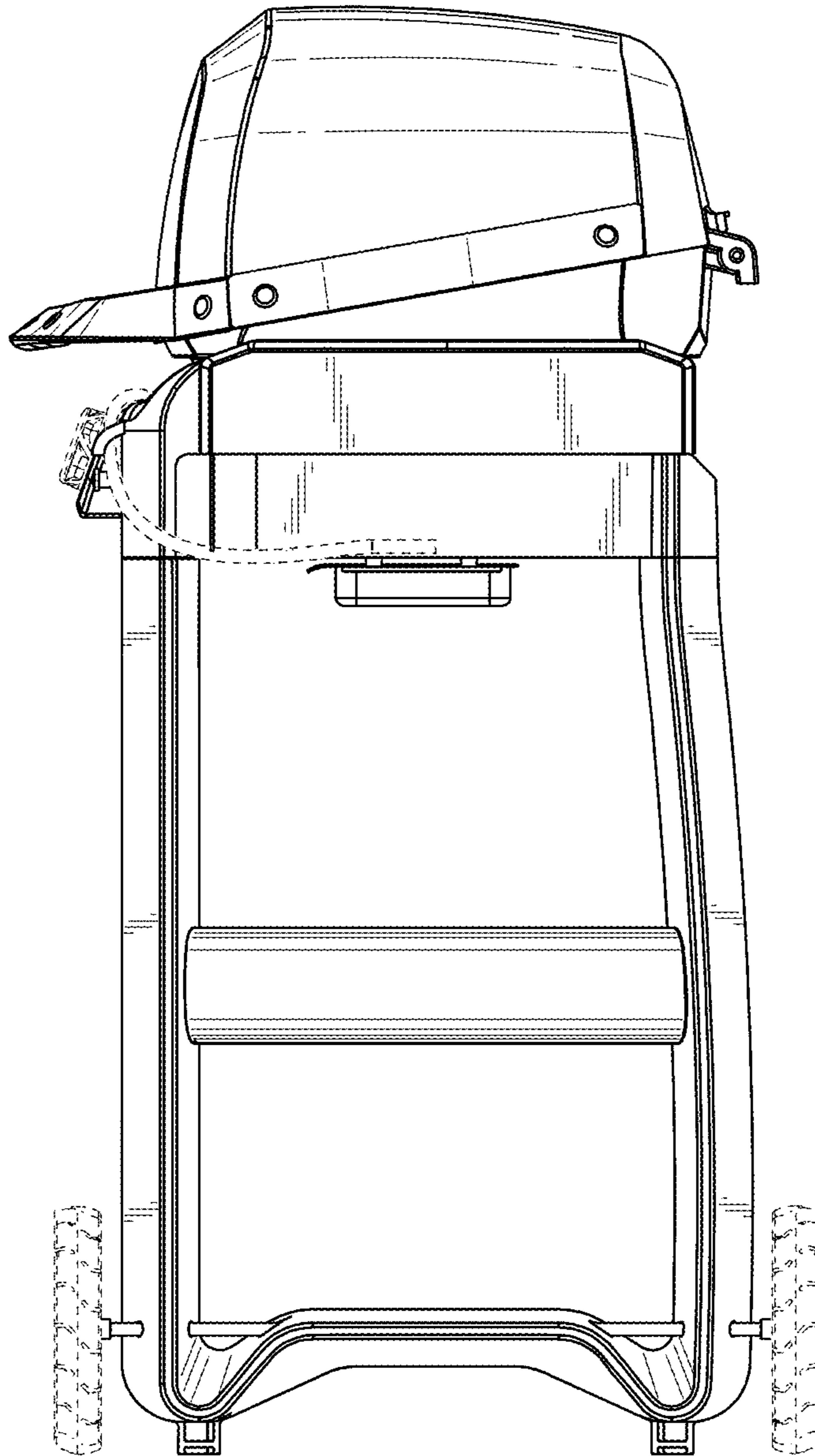


Fig. 5



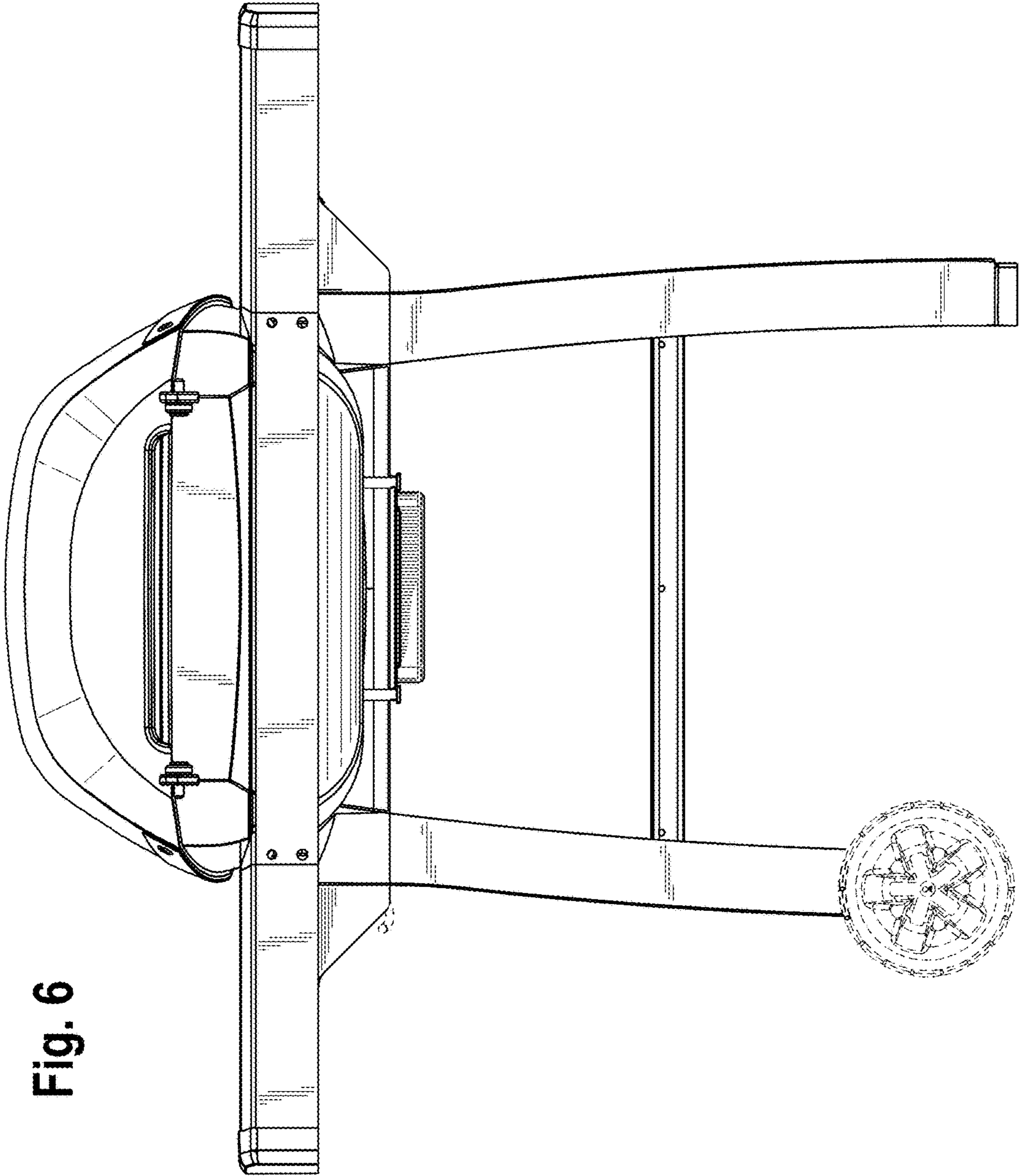


Fig. 6



Fig. 7

