



US00D815875S

(12) **United States Design Patent** (10) **Patent No.:** **US D815,875 S**
Lira-Nunez (45) **Date of Patent:** **** *Apr. 24, 2018**

- (54) **GRILL**
- (71) Applicant: **Carmen O. Lira-Nunez**, Downers Grove, IL (US)
- (72) Inventor: **Carmen O. Lira-Nunez**, Downers Grove, IL (US)
- (73) Assignee: **Weber-Stephen Products LLC**, Palatine, IL (US)
- (*) Notice: This patent is subject to a terminal disclaimer.
- (**) Term: **15 Years**
- (21) Appl. No.: **29/555,459**
- (22) Filed: **Feb. 22, 2016**

Related U.S. Application Data

- (63) Continuation of application No. 29/552,652, filed on Jan. 25, 2016.
- (51) **LOC (11) Cl.** **07-02**
- (52) **U.S. Cl.**
USPC **D7/334**
- (58) **Field of Classification Search**
USPC D7/323-337, 402-407, 362, 416, 417, D7/357, 408; 126/25 R, 9 R; D23/343,
(Continued)

References Cited

U.S. PATENT DOCUMENTS

- D395,378 S * 6/1998 Schlosser D7/334
 - D441,254 S * 5/2001 Pai D7/403
- (Continued)

OTHER PUBLICATIONS

Photographs of grill manufactured in 2005 by Chinese entity Perfect Glo.

(Continued)

Primary Examiner — Susan Bennett Hattan
Assistant Examiner — Brett Miller
 (74) *Attorney, Agent, or Firm* — Vitale, Vickrey, Niro & Gasey LLP

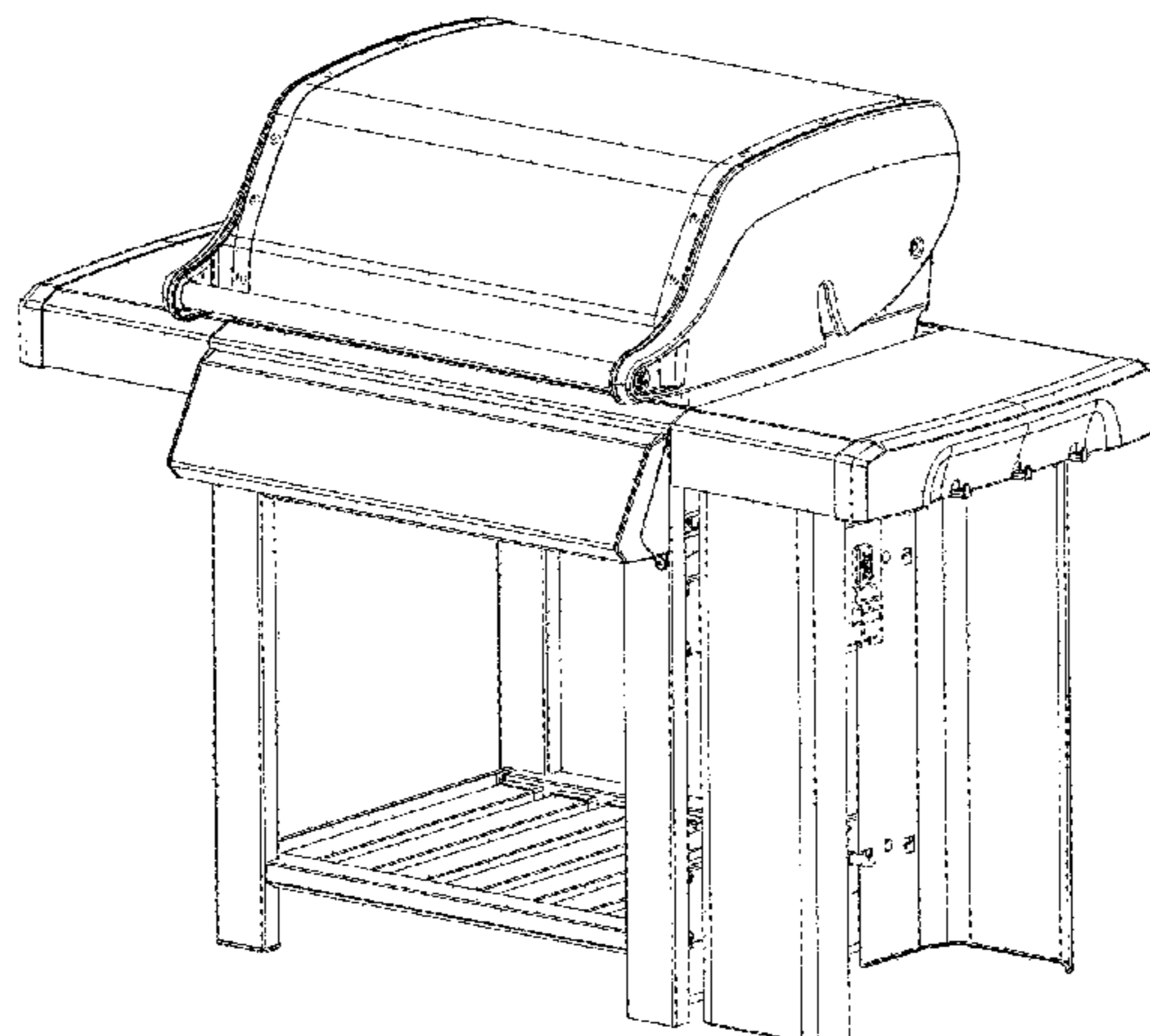
(57) **CLAIM**

The ornamental design for a grill, as shown and described in the following Figures.

DESCRIPTION

FIG. 1 is a perspective view of a grill of the present invention.
 FIG. 2 is a front view of the grill of the present invention.
 FIG. 3 is a left side view of the grill of the present invention.
 FIG. 4 is a right side view of the grill of the present invention.
 FIG. 5 is a top view of the grill of the present invention.
 FIG. 6 is a back view of the grill of the present invention.
 FIG. 7 is a bottom view of the grill of the present invention.
 FIG. 8 is a perspective view of a grill with some items of the present invention.
 FIG. 9 is a front view of the grill with some items of the present invention.
 FIG. 10 is a left side view of the grill with some items of the present invention.
 FIG. 11 is a right side view of the grill with some items of the present invention.
 FIG. 12 is a top view of the grill of the present invention with some items shown in broken line in FIG. 5 removed.
 FIG. 13 is a back view of the grill with some items of the present invention; and,
 FIG. 14 is a bottom view of the grill with some items of the present invention.
 The broken lines shown in the Figures depict environment and form no part of the claimed design.

1 Claim, 12 Drawing Sheets



(58) **Field of Classification Search**

USPC D23/415, 350, 348, 403, 409, 416, 418,
 D23/419; D22/112; D26/8
 CPC A47J 33/00; A47J 37/04; A47J 37/041;
 A47J 37/07-37/0713; A47J
 37/718-37/0727; A47J 37/0731; A47J
 37/074; A47J 37/0781; A47J 2037/0777;
 A47J 37/0786; A47J 37/079; A47J 36/26;
 A47J 36/36; F24B 1/02; F24B 1/022;
 F24B 1/18; F24B 1/182; F24B 1/202;
 F24B 1/181; F24C 3/14; F24C 1/16;
 F24C 15/10; F23D 14/00-14/10; F23D
 91/00; B05B 17/08

See application file for complete search history.

D516,367 S *	3/2006	Lutz	D7/335
D521,308 S	5/2006	Tseng	
D551,499 S	9/2007	Bruno	
D560,953 S	2/2008	Bruno	
D564,834 S	3/2008	Bruno	
D570,150 S *	6/2008	Pai	D7/334
D609,045 S	2/2010	Bruno	
D618,035 S *	6/2010	Chung	D7/334
D618,036 S *	6/2010	Chung	D7/334
D687,669 S *	8/2013	Chung	D7/334
D716,599 S *	11/2014	Kam	D7/335
D723,321 S *	3/2015	Chung	D7/334
D736,026 S *	8/2015	Kam	D7/334
2008/0210214 A1 *	9/2008	Wade	A47J 37/0786 126/25 R
2016/0206145 A1 *	7/2016	Chang	A47J 37/0713

(56) **References Cited**

U.S. PATENT DOCUMENTS

D461,359 S *	8/2002	Coleman	D7/334
D462,227 S *	9/2002	Alden	D7/334
D470,357 S	2/2003	Home	
D471,057 S	3/2003	Chung	
D478,463 S *	8/2003	Mouly	D7/334
D483,983 S	12/2003	Harrod	
6,813,995 B1 *	11/2004	Sikes	A47J 37/07 126/21 R

OTHER PUBLICATIONS

Sears 2013 Simply Outdoors Catalog, pp. 62-64, Kenmore Elite 500 Series gas grill.
 Sears Owner's Manual for Kenmore Elite Liquid Propane Gas Grill Model 141.16680, dated Dec. 16, 2002.
 Blue Rhino Global Sourcing Owner's Manual for UniFlame Outdoor LP Gas Barbecue Grill Model No. NSG3902D, dated 2005.

* cited by examiner

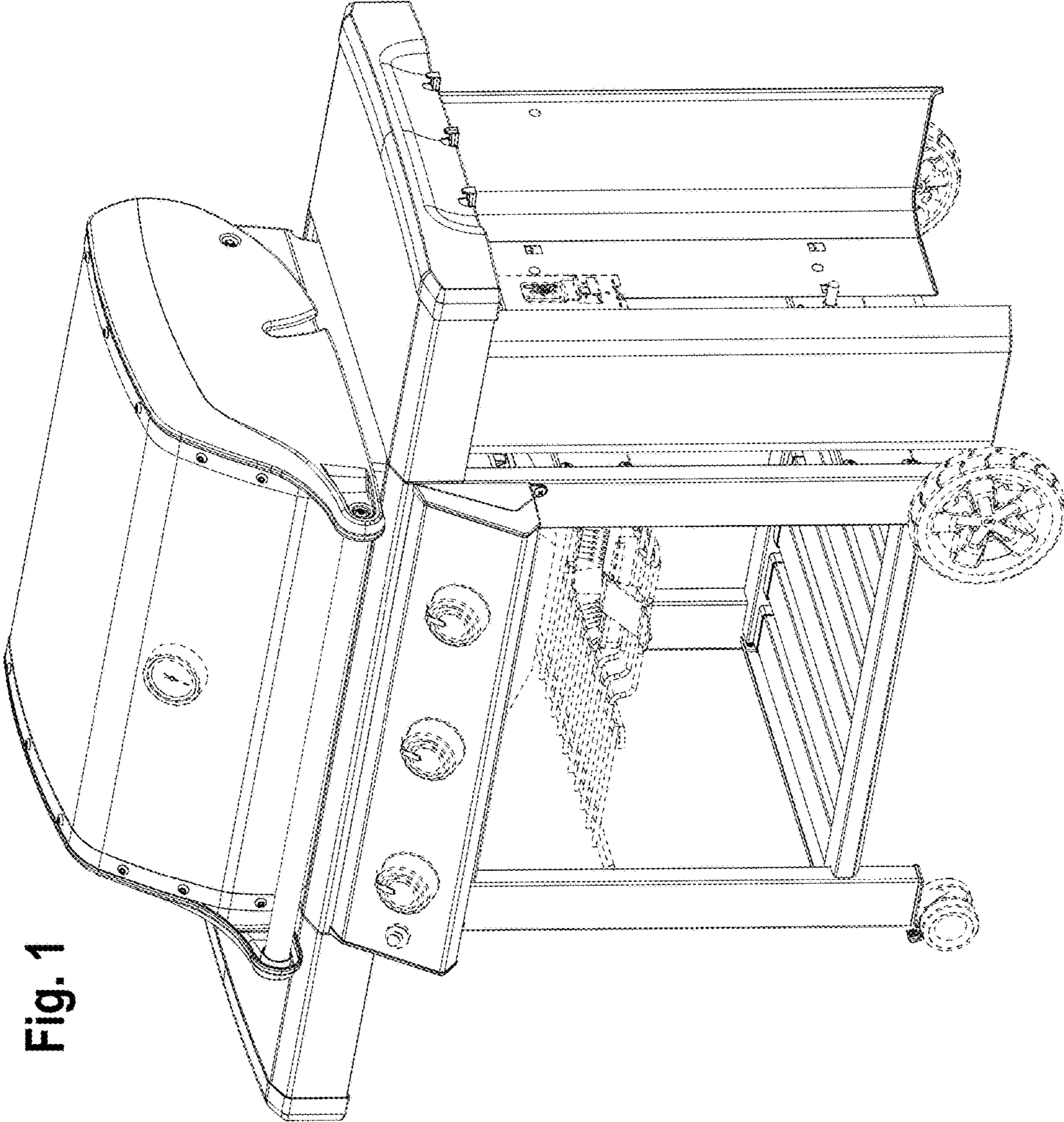


Fig. 1

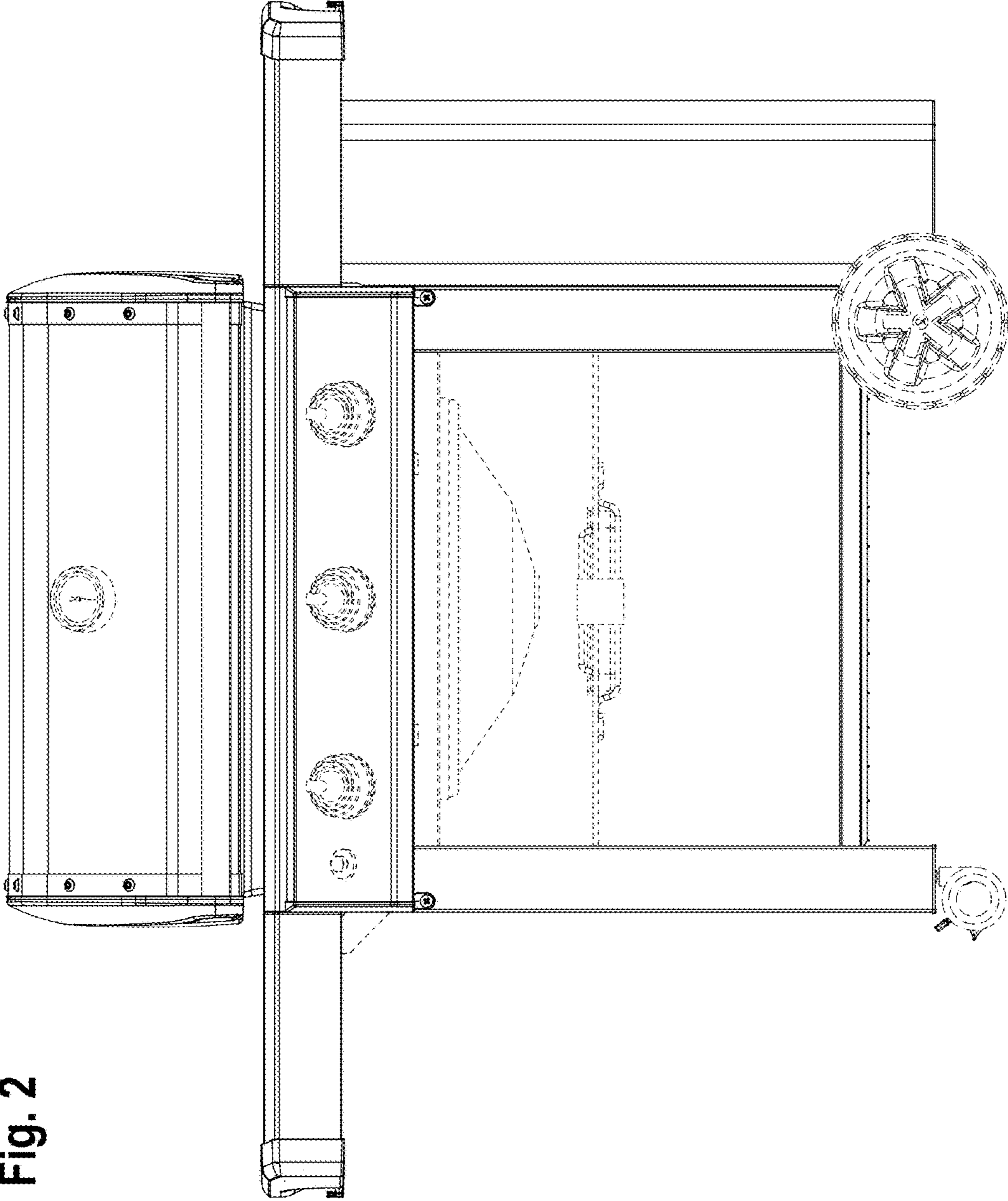


Fig. 2

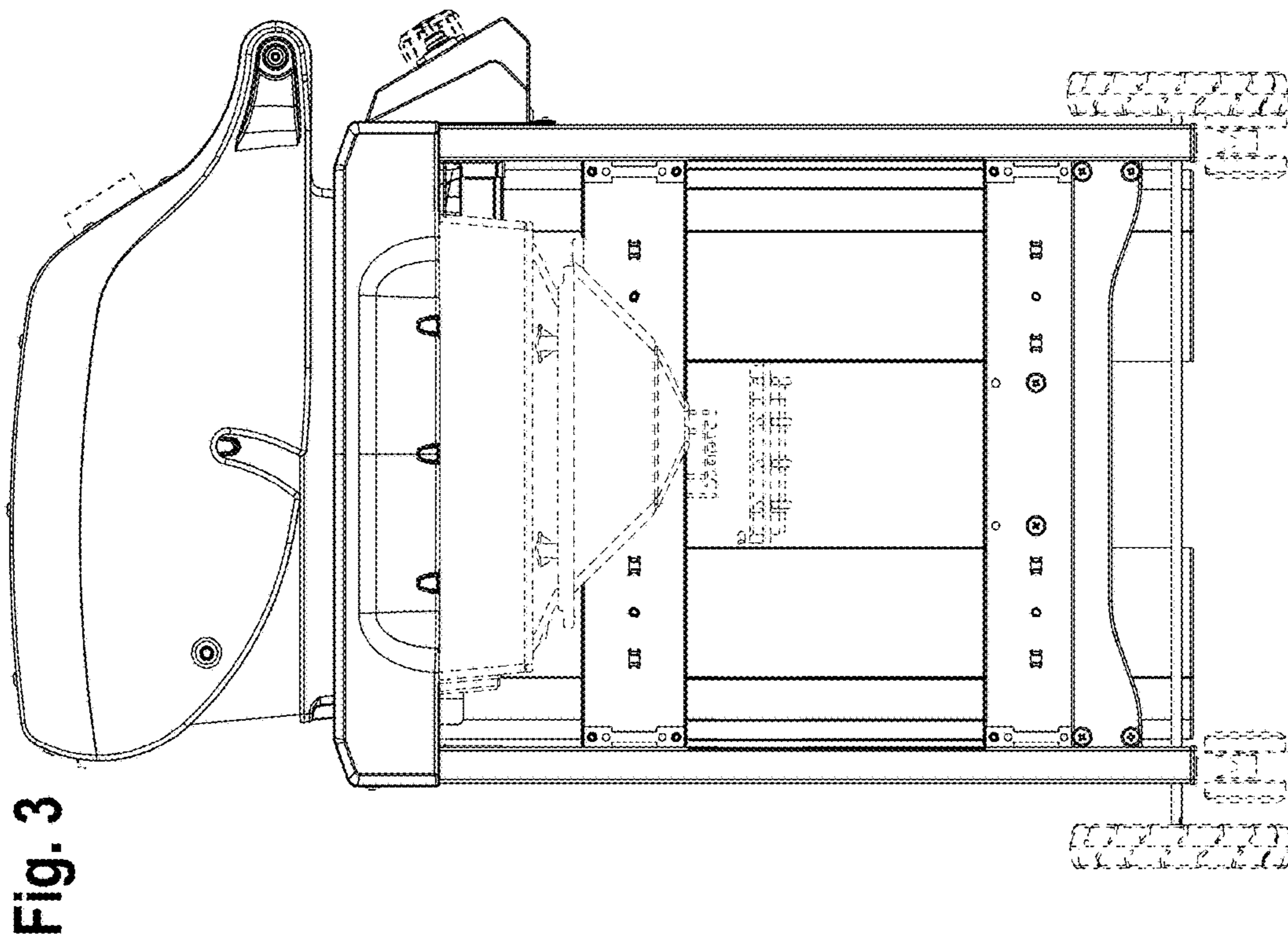
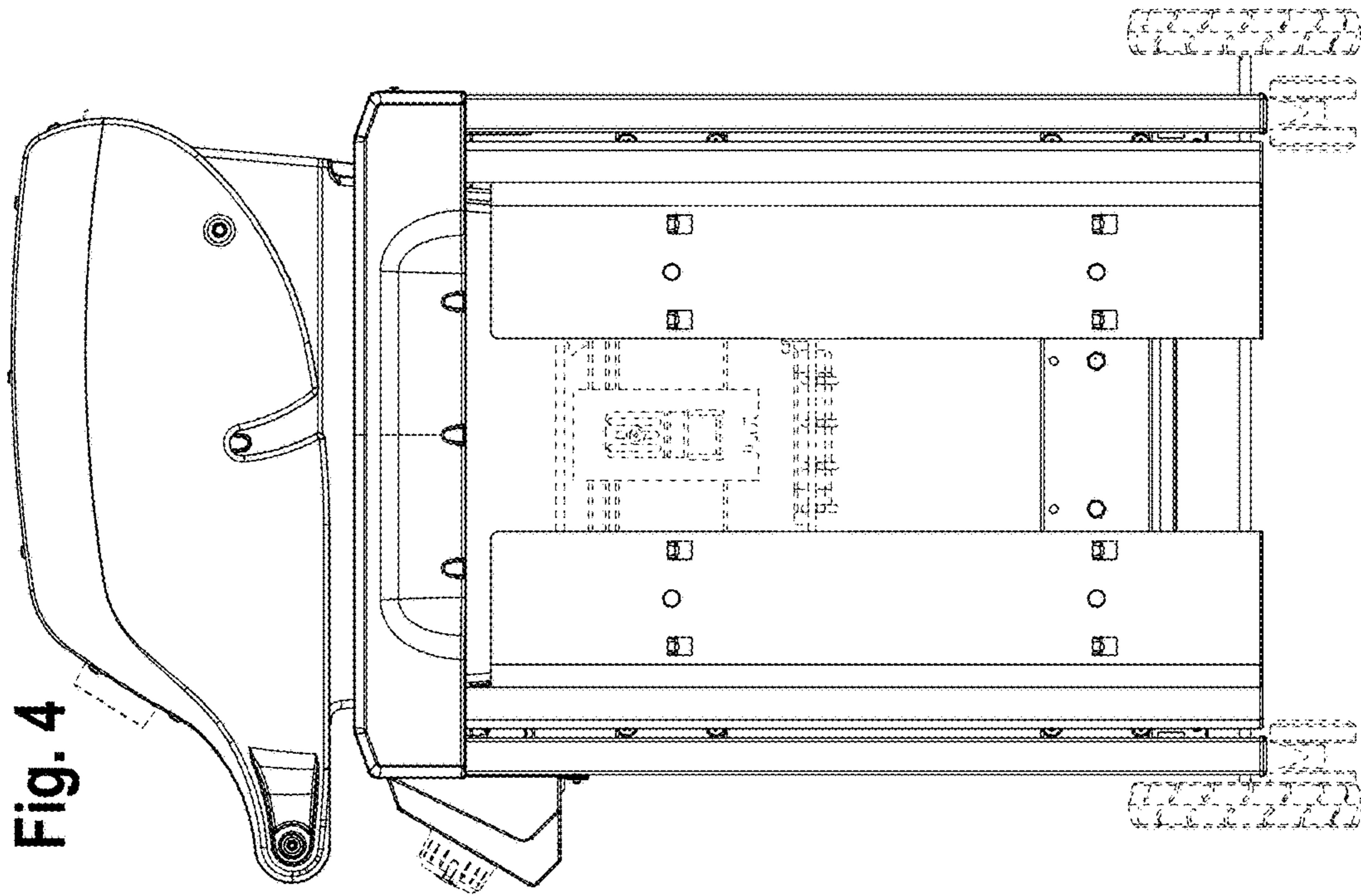
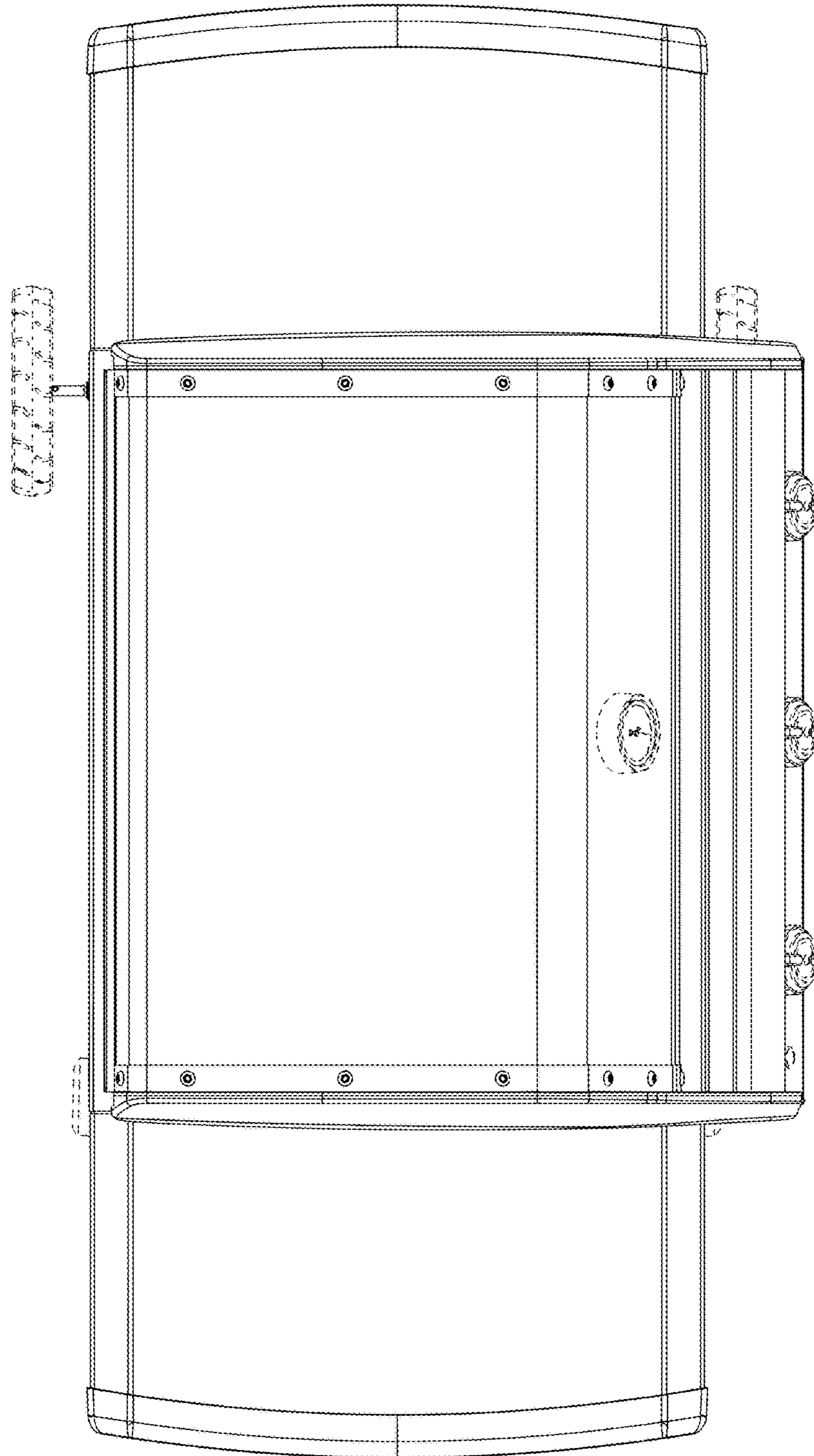


Fig. 5



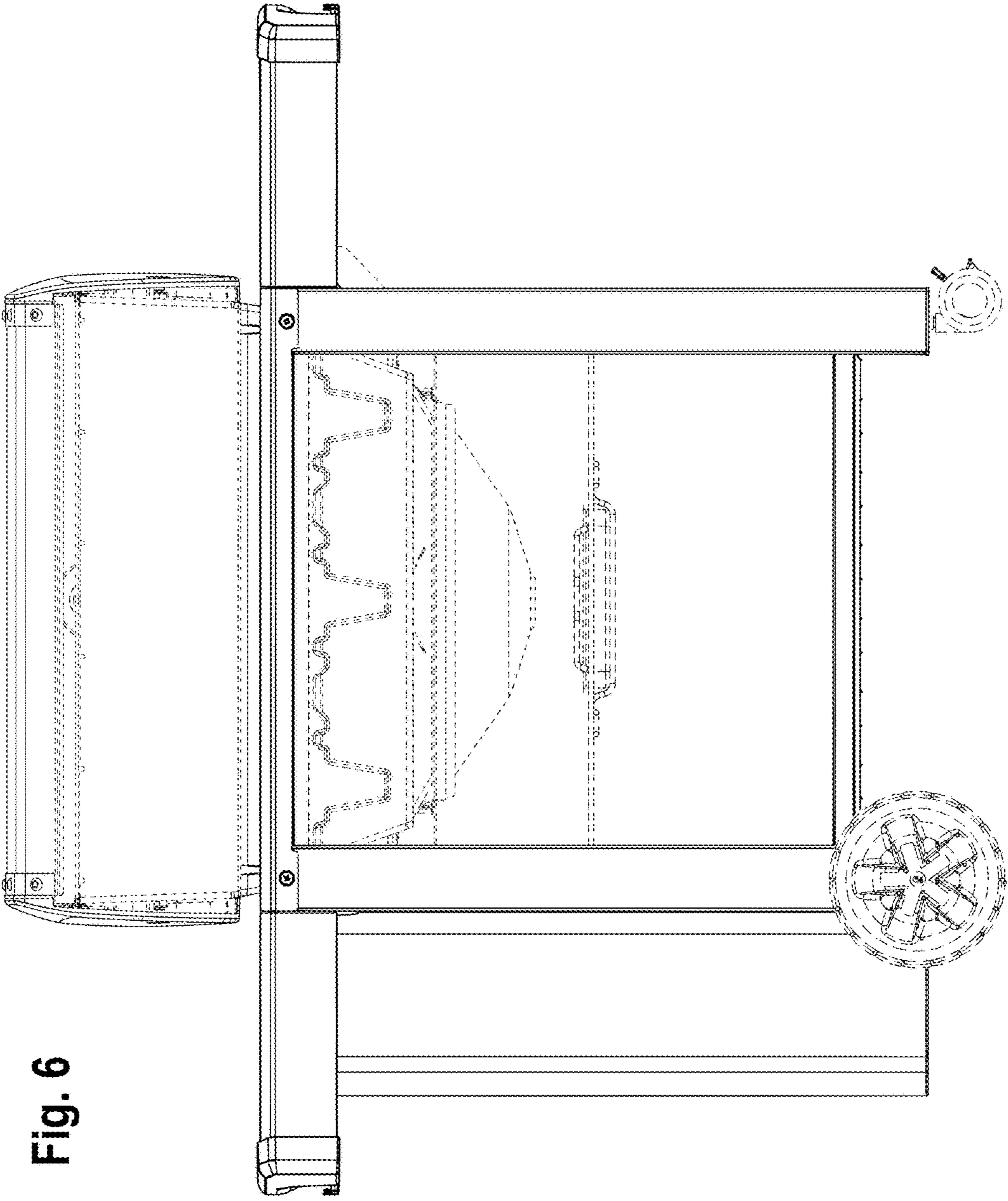
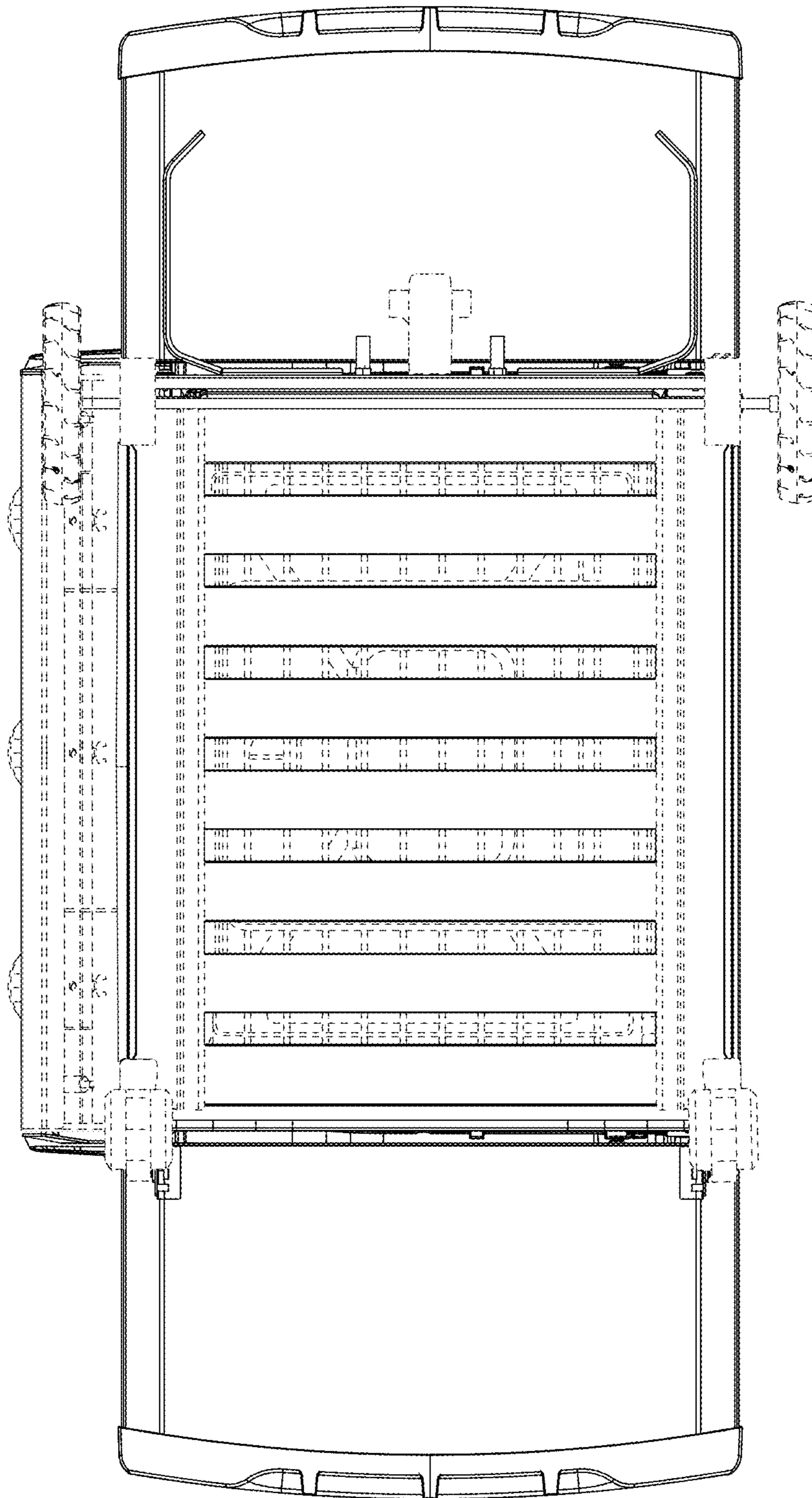


Fig. 6

Fig. 7



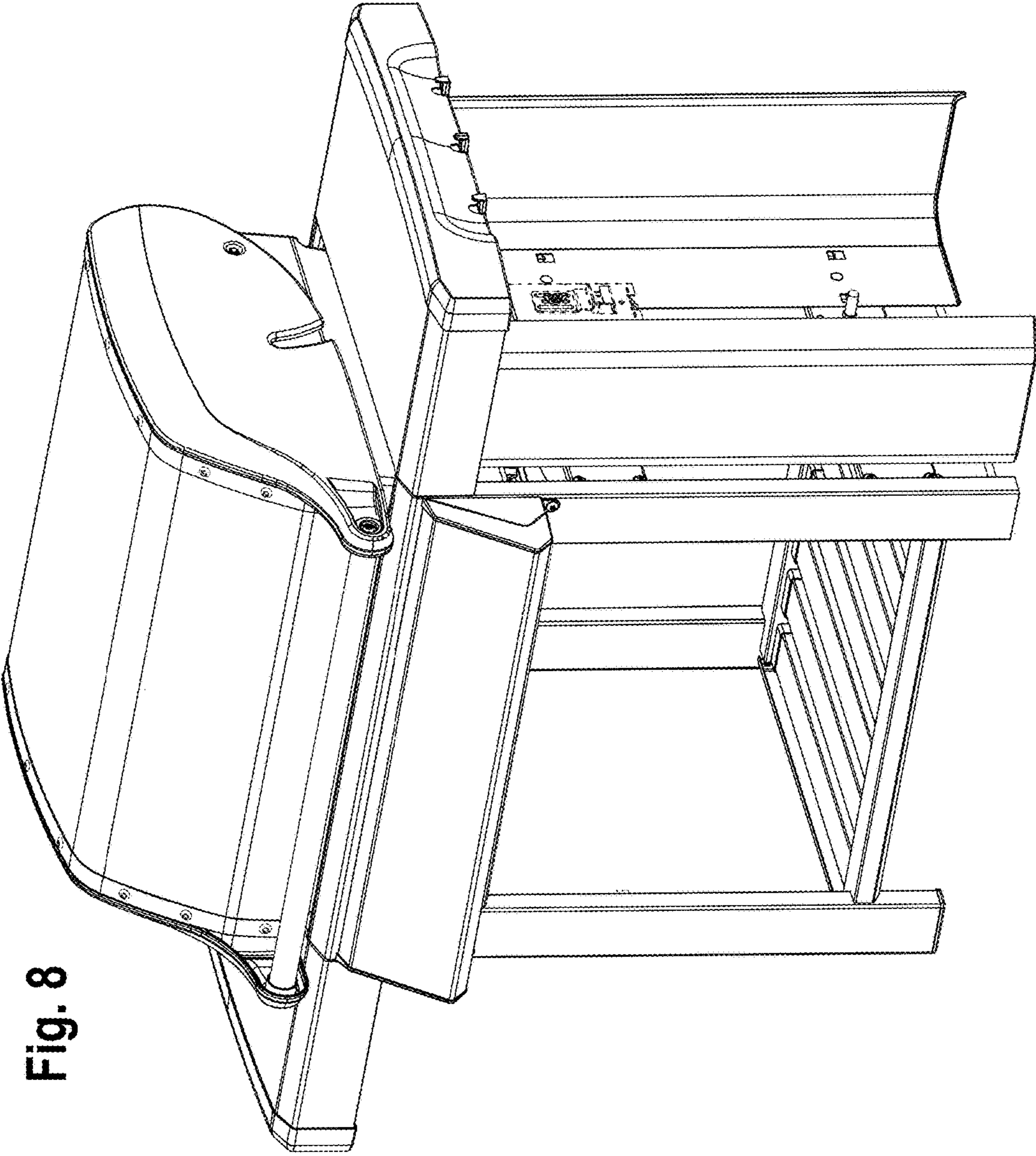


Fig. 8

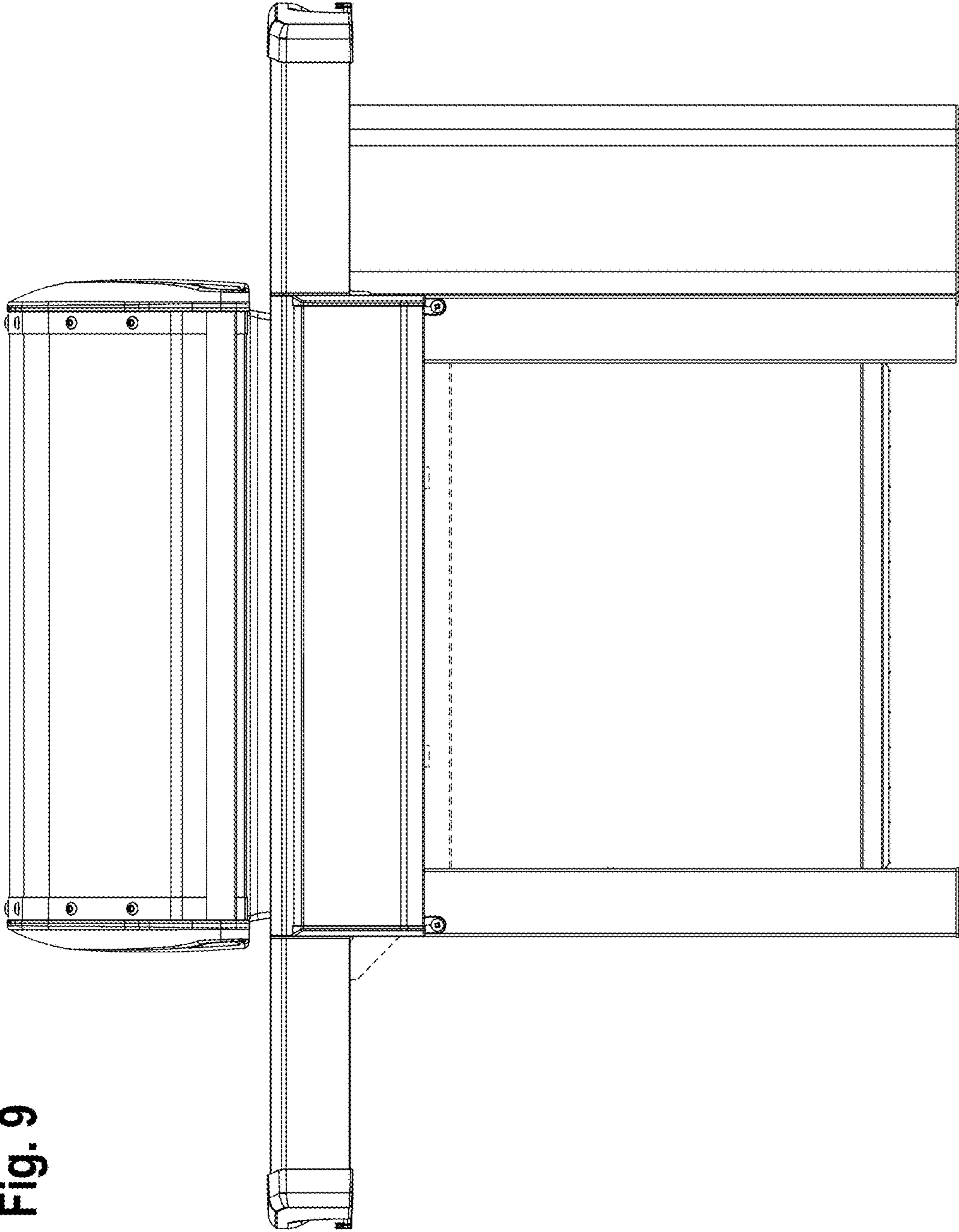


Fig. 9

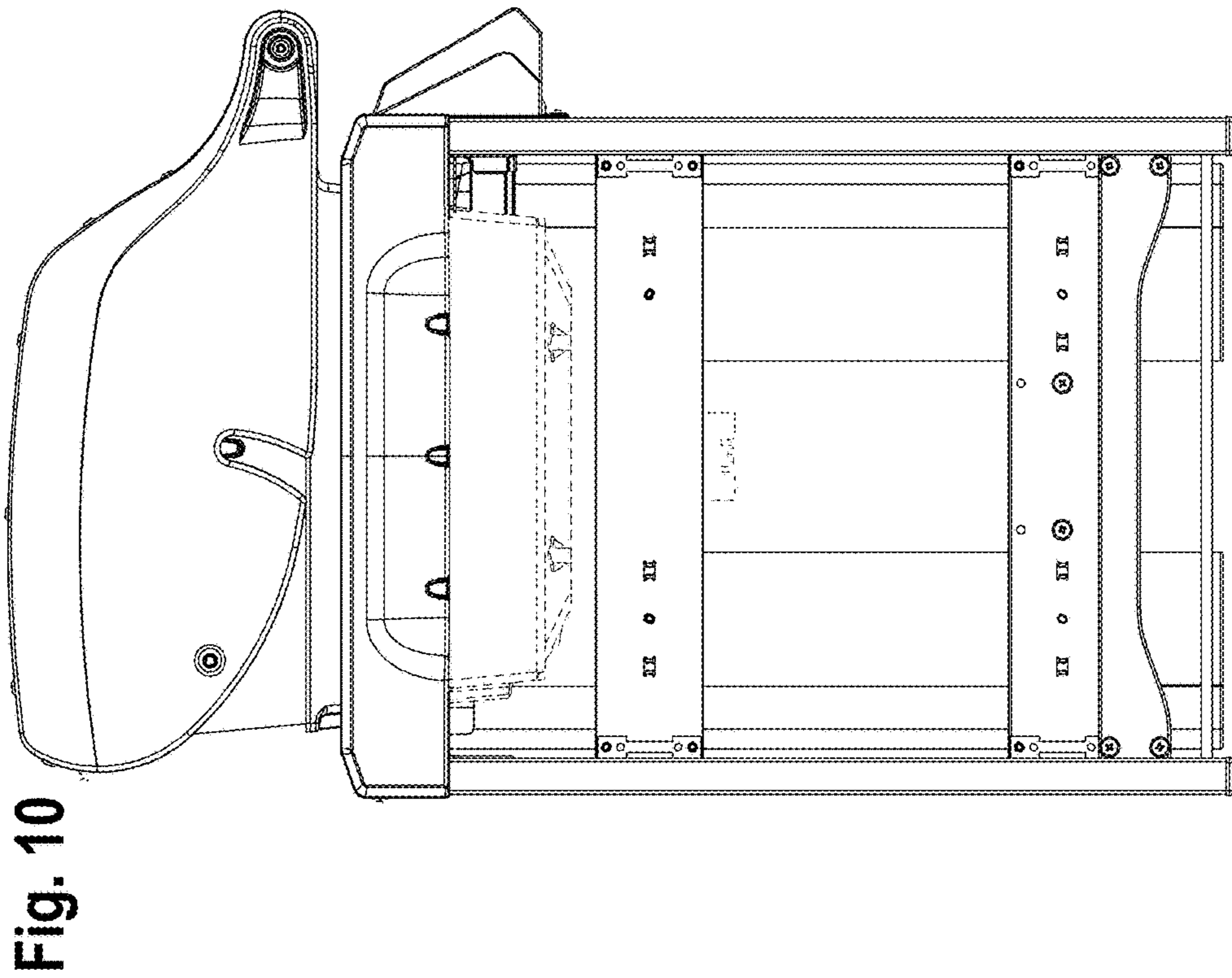
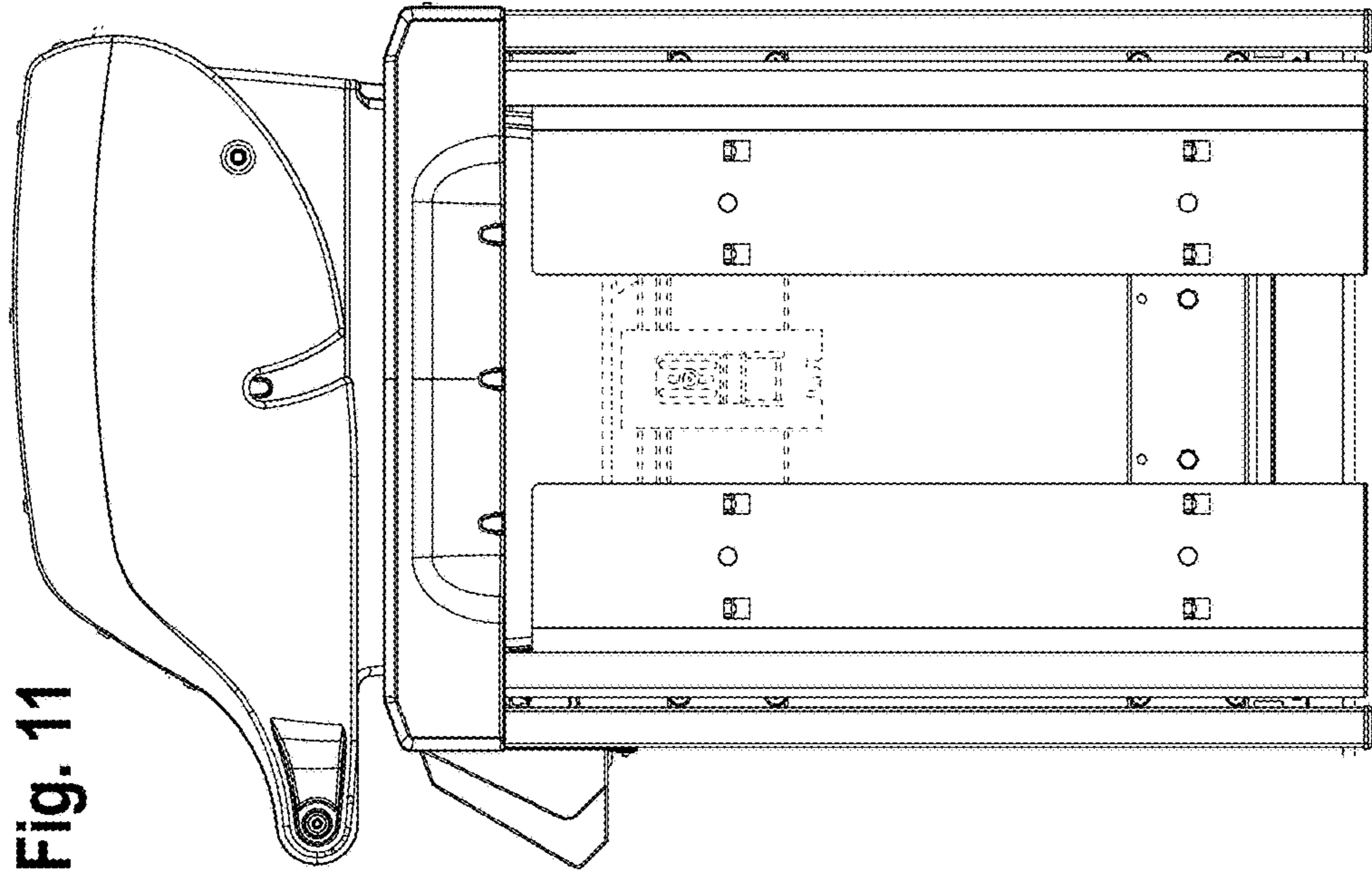
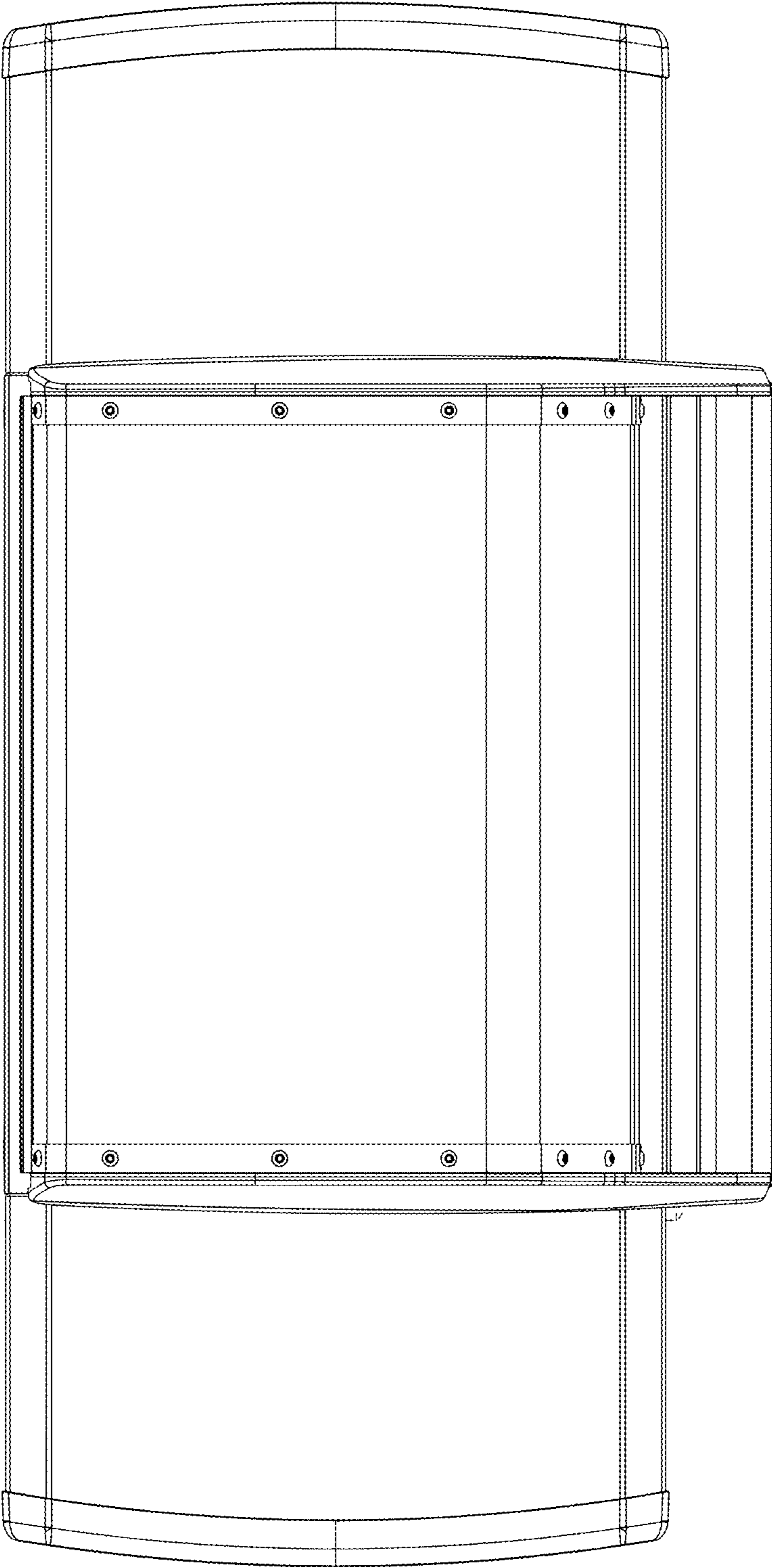


Fig. 12



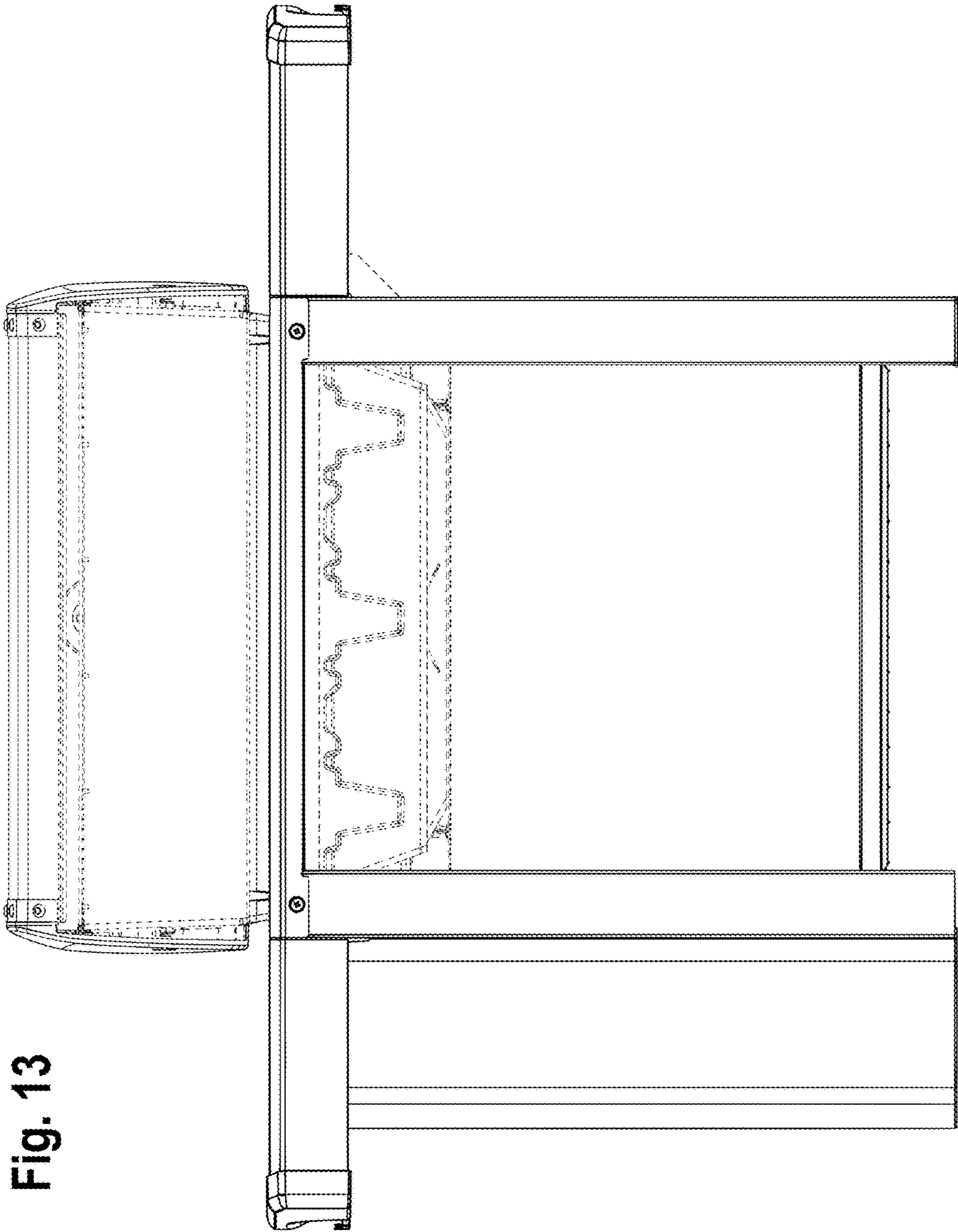


Fig. 13

Fig. 14

