



US00D815874S

(12) **United States Design Patent** (10) **Patent No.:** **US D815,874 S**
Chung et al. (45) **Date of Patent:** **** Apr. 24, 2018**

(54) **KETTLE**

(56) **References Cited**

(71) Applicant: **KONINKLIJKE PHILIPS N.V.**,
Eindhoven (NL)
(72) Inventors: **Waikit Chung**, Shanghai (CN); **Chun Pong Yuan**, Hong Kong (CN)
(73) Assignee: **KONINKLIJKE PHILIPS N.V.**,
Eindhoven (NL)

U.S. PATENT DOCUMENTS

D263,105 S *	2/1982	Okazaki	D7/319
D464,522 S *	10/2002	O'Connor	D7/317
D498,638 S *	11/2004	Morrison	D7/318
D527,940 S *	9/2006	Cohen	D7/317
D562,053 S *	2/2008	Cohen	D7/317
D595,534 S *	7/2009	Mankowitz	D7/317
D622,090 S *	8/2010	Bodum	D7/317
D658,925 S *	5/2012	Horimoto	D7/317
D714,581 S *	10/2014	Shao	D7/312
D726,486 S *	4/2015	Averty	D7/312
D747,130 S *	1/2016	Kunz	D7/317
D777,500 S *	1/2017	Lee	D7/317
2005/0229788 A1 *	10/2005	White	A47J 27/21175 99/323

(**) Term: **15 Years**

(21) Appl. No.: **35/501,531**

(22) Filed: **Mar. 10, 2016**

(80) **Hague Agreement Data**

Int. Filing Date: **Mar. 10, 2016**
Int. Reg. No.: **DM/089798**
Int. Reg. Date: **Mar. 10, 2016**
Int. Reg. Pub. Date: **Sep. 16, 2016**

* cited by examiner

Primary Examiner — Sheryl Lane
Assistant Examiner — Nicole C Shiflet

(30) **Foreign Application Priority Data**

Oct. 16, 2015 (EM) 002825067-0001

(51) **LOC (11) Cl.** **07-01**

(52) **U.S. Cl.**
USPC **D7/319**

(58) **Field of Classification Search**
USPC D7/312, 316-319, 321
CPC A47J 27/21008; A47J 27/2105; A47J
27/21016; A47J 27/21058; H05B 1/0269
See application file for complete search history.

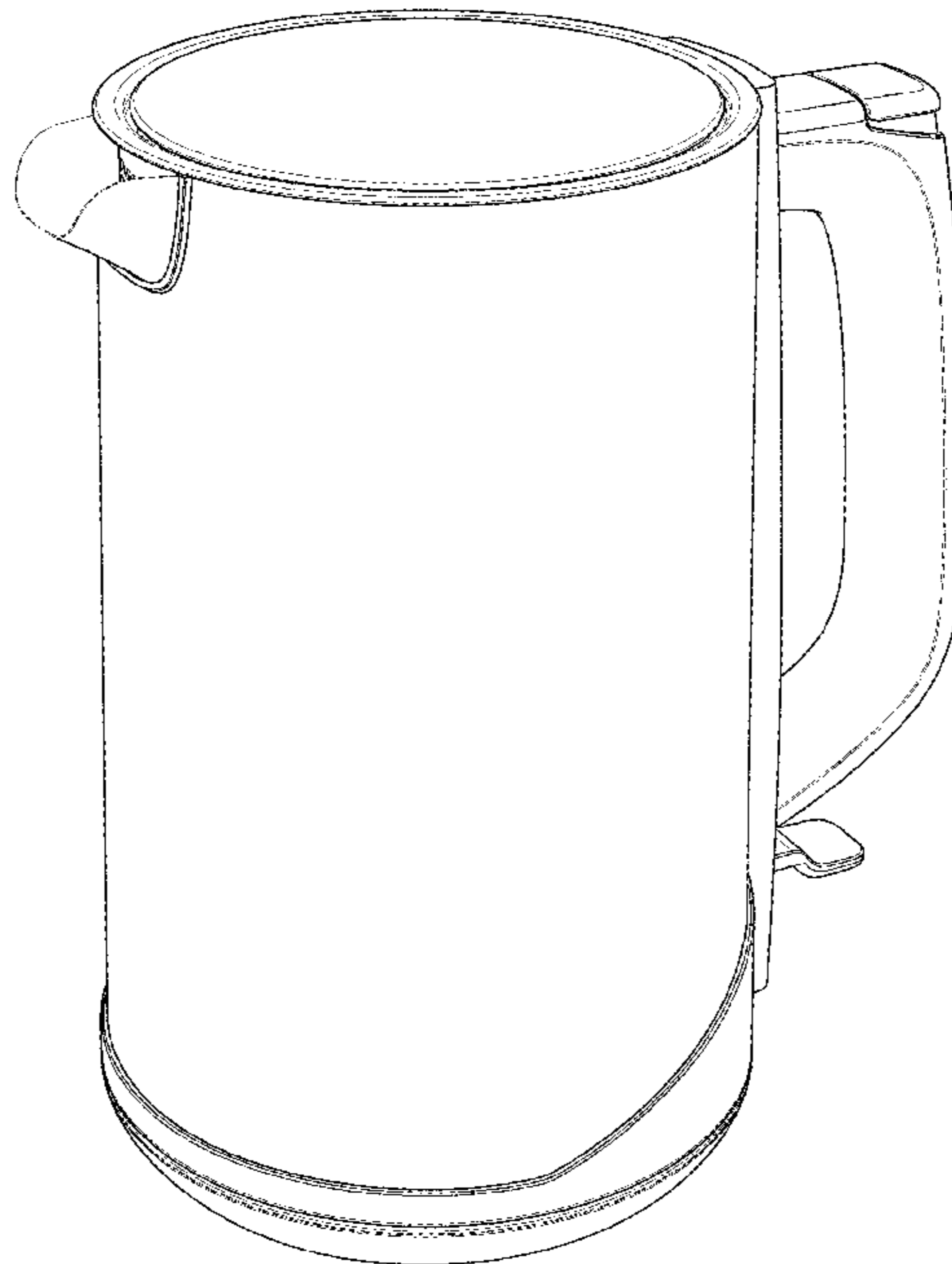
(57) **CLAIM**

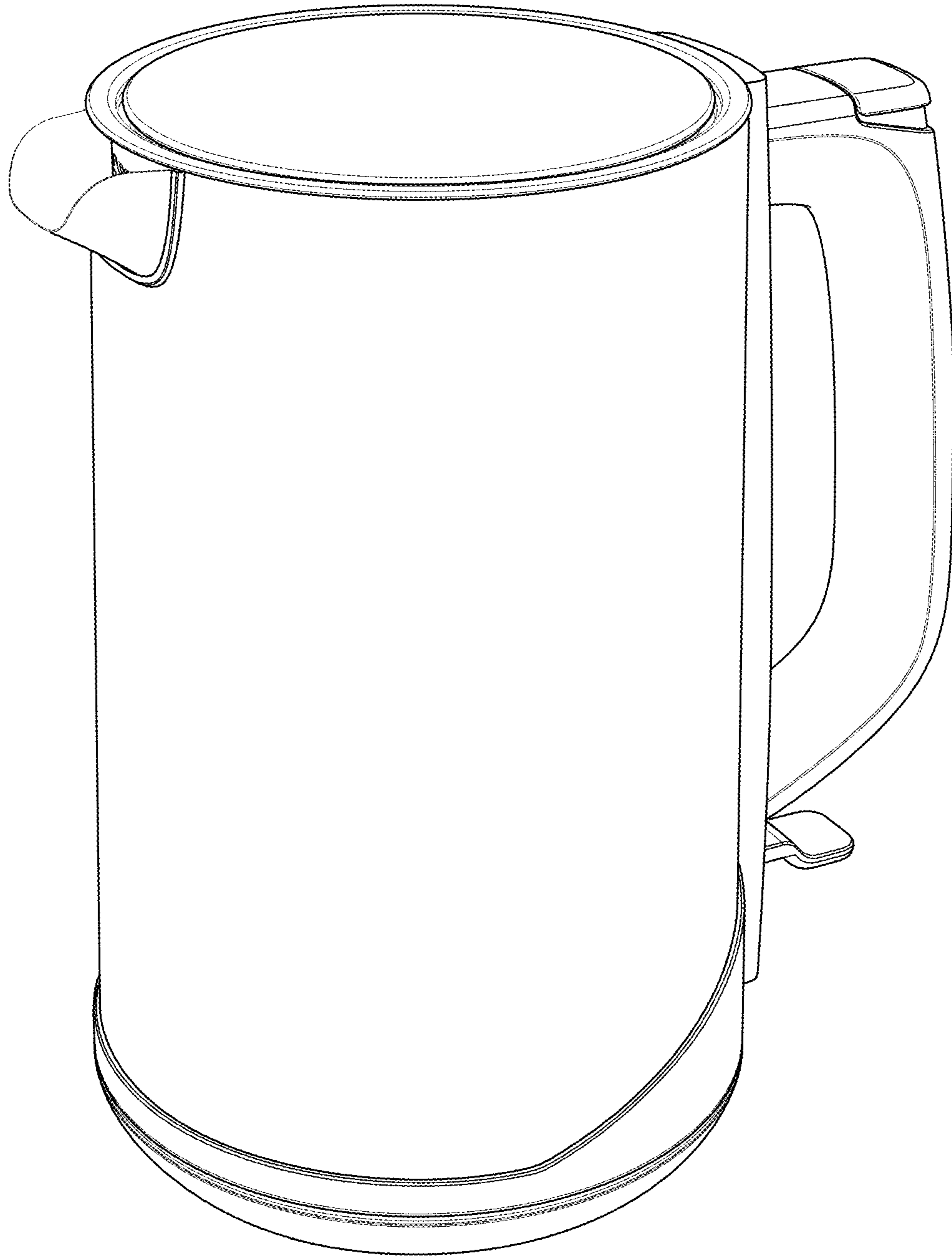
The ornamental design for a kettle, as shown and described.

DESCRIPTION

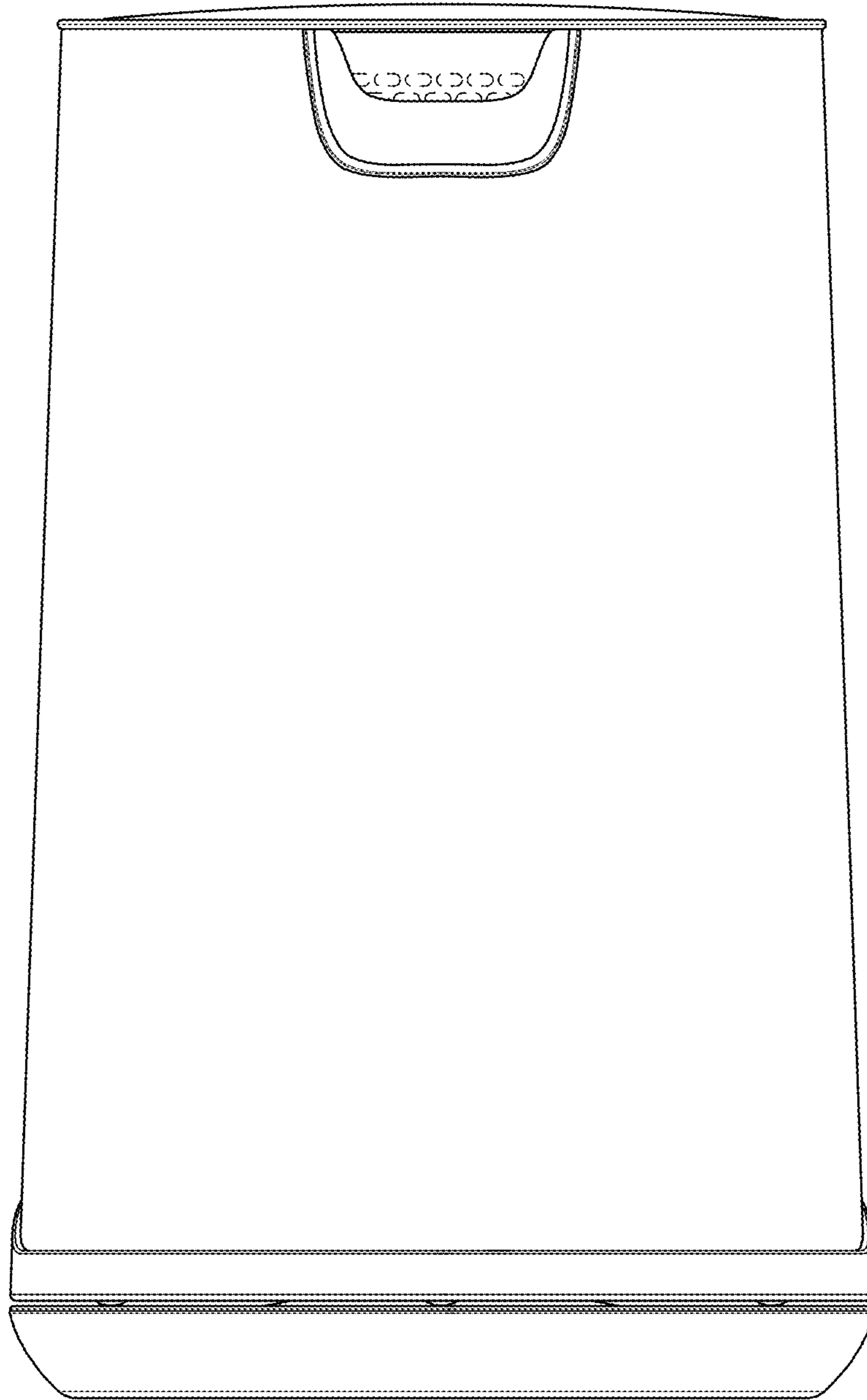
1. Kettle
1.1 is a perspective view showing the kettle of our design;
1.2 is a front elevational view thereof;
1.3 is a rear elevational view thereof;
1.4 is a left side elevational view thereof;
1.5 is a right side elevational view thereof;
1.6 is a top plan view thereof; and
1.7 is a bottom plan view thereof.
The portions of the kettle shown in broken lines form no part of the claimed design.

1 Claim, 7 Drawing Sheets

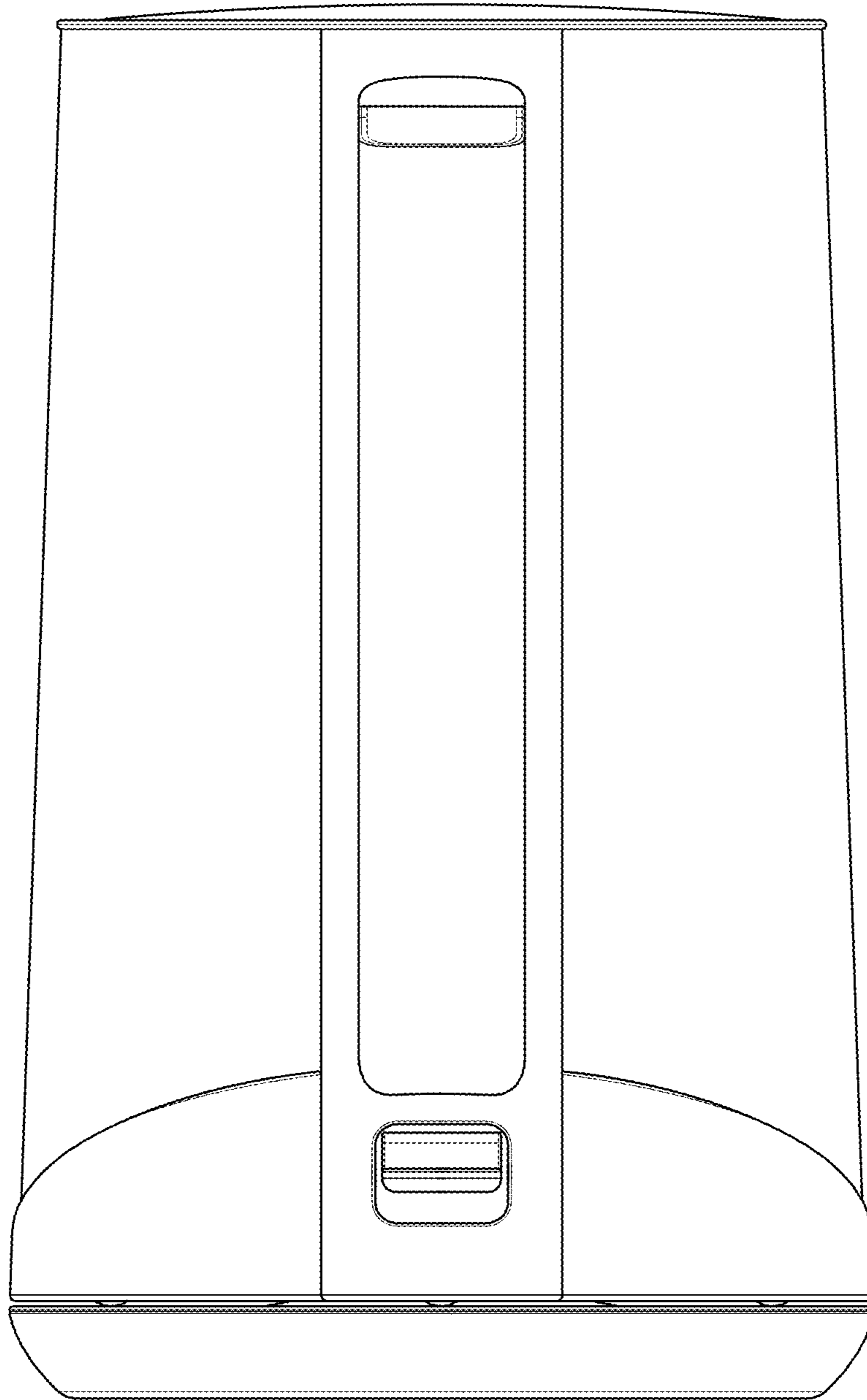




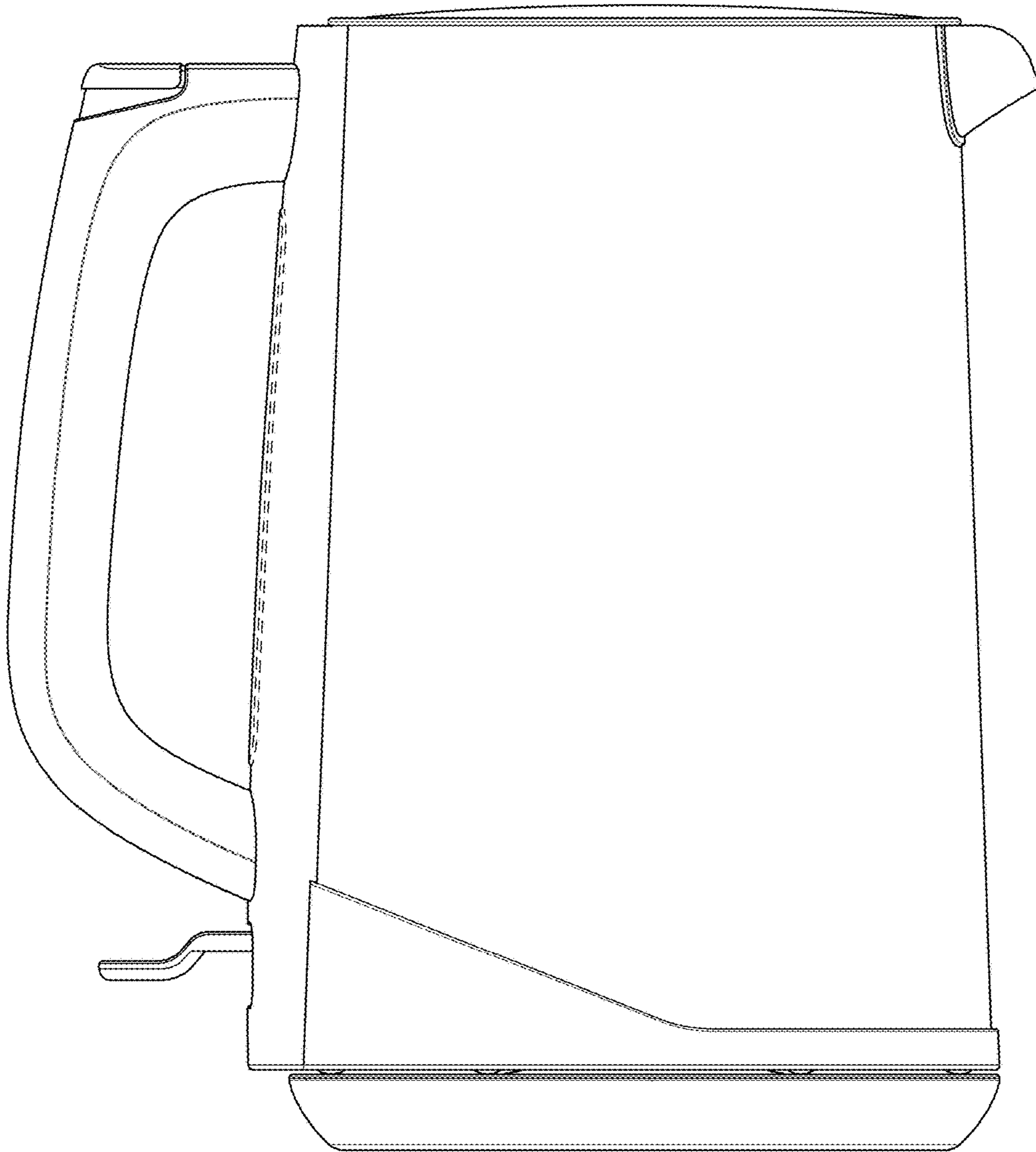
1.1



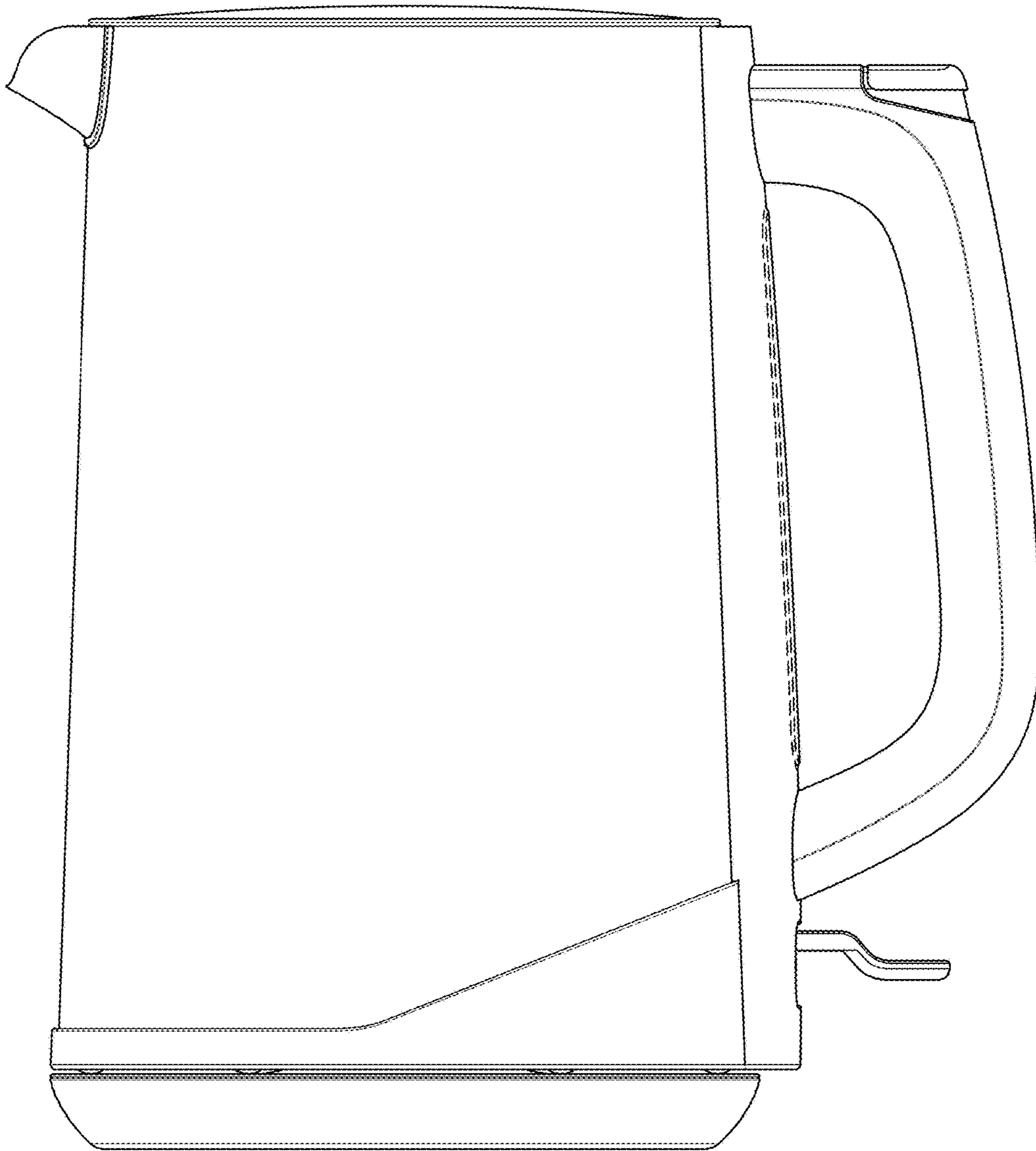
1.2



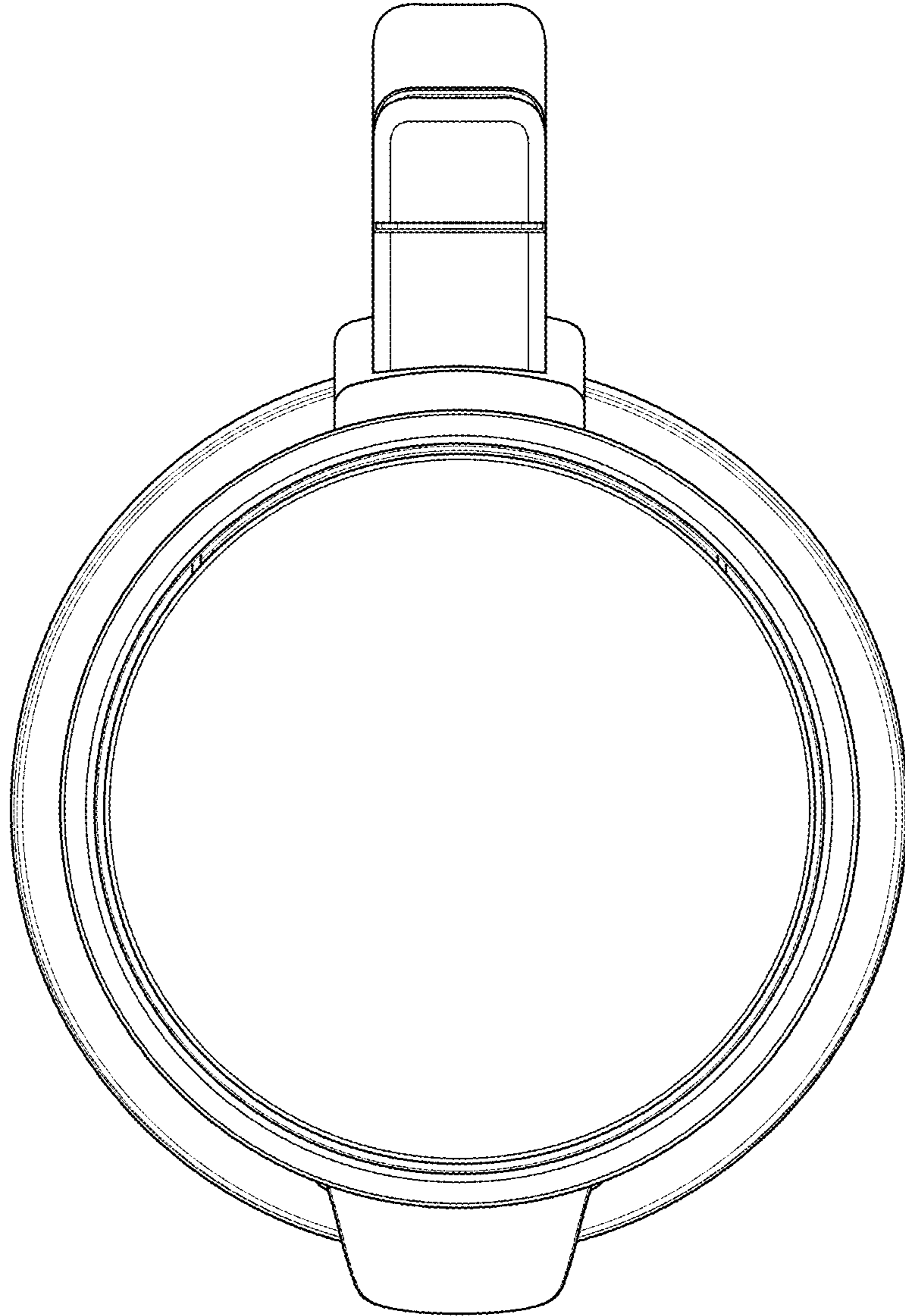
1.3



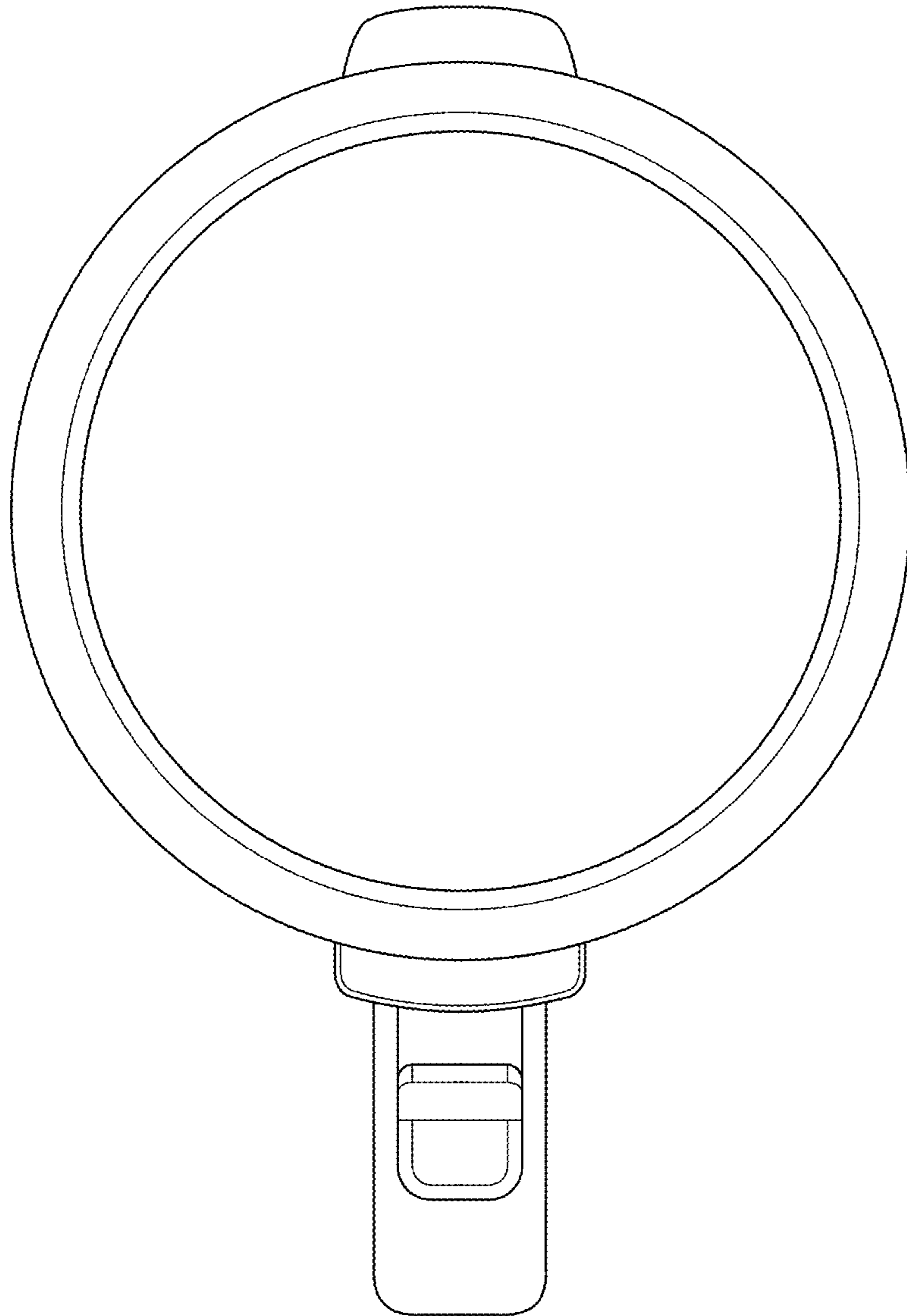
1.4



1.5



1.6



1.7