



US00D815873S

(12) **United States Design Patent**
Ho et al.

(10) **Patent No.:** **US D815,873 S**
(45) **Date of Patent:** **** Apr. 24, 2018**

- (54) **KETTLES**
- (71) Applicants: **Hiu Wai Ho**, Kowloon (HK); **Wing Kit Lui**, Kowloon (HK)
- (72) Inventors: **Hiu Wai Ho**, Kowloon (HK); **Wing Kit Lui**, Kowloon (HK)
- (73) Assignee: **Eric Beare Associates Limited**, Kowloon (HK)
- (**) Term: **15 Years**
- (21) Appl. No.: **29/580,662**
- (22) Filed: **Oct. 12, 2016**
- (51) **LOC (11) Cl.** **07-01**
- (52) **U.S. Cl.**
USPC **D7/319**
- (58) **Field of Classification Search**
USPC D7/312, 316-319
CPC A47G 19/14; A47J 27/21; A47J 27/21008;
A47J 27/21041
See application file for complete search history.

- D627,587 S * 11/2010 Dahlstrom D7/317
- D670,526 S * 11/2012 Street D7/317
- D726,486 S * 4/2015 Averty D7/312
- D747,130 S * 1/2016 Kunz D7/317
- D763,042 S * 8/2016 Shao D7/517
- D777,500 S * 1/2017 Lee D7/317
- 2014/0151359 A1* 6/2014 Slot A47J 27/21041
219/438
- 2016/0242588 A1* 8/2016 Liu A47J 27/21166

* cited by examiner

Primary Examiner — Daniel D Bui
Assistant Examiner — Andrew Kerr

(57) **CLAIM**

The ornamental design for a kettle, as shown and described.

DESCRIPTION

FIG. 1 is a front elevational view of a kettle showing our new design;
 FIG. 2 is a rear elevational view thereof;
 FIG. 3 is a left side view thereof;
 FIG. 4 is a right side view thereof;
 FIG. 5 is a top plan view thereof;
 FIG. 6 is a bottom plan view thereof;
 FIG. 7 is a perspective view thereof;
 FIG. 8 is another perspective view thereof; and,
 FIG. 9 is a perspective view thereof with the base portion detached.

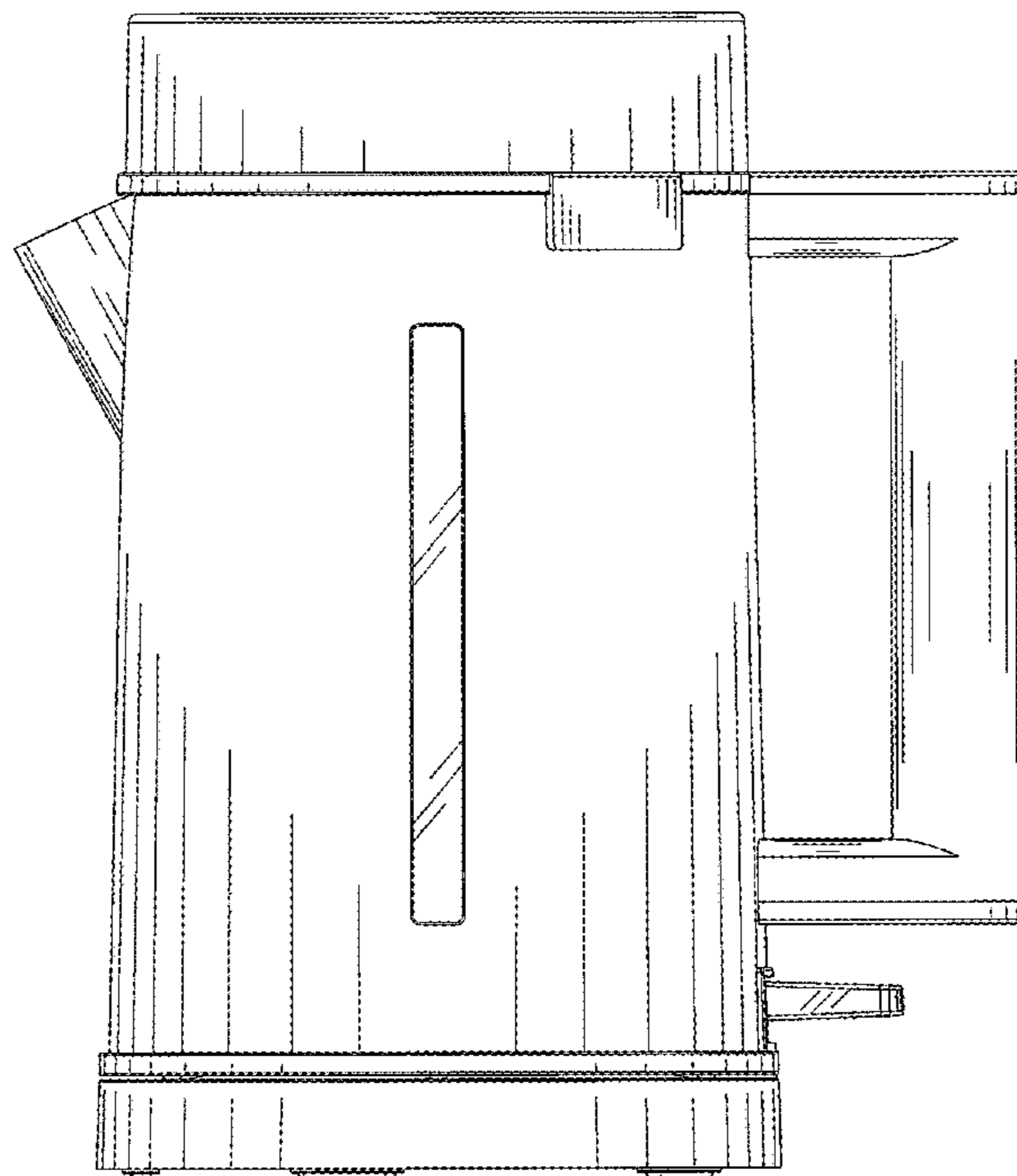
The broken lines shown form no part of the claimed design.

1 Claim, 8 Drawing Sheets

(56) **References Cited**

U.S. PATENT DOCUMENTS

- D475,233 S * 6/2003 De Visser D7/317
- D545,111 S * 6/2007 Brown D7/317
- D603,209 S * 11/2009 Bodum D7/317
- D607,686 S * 1/2010 Elissen D7/317
- D611,288 S * 3/2010 Bodum D7/305



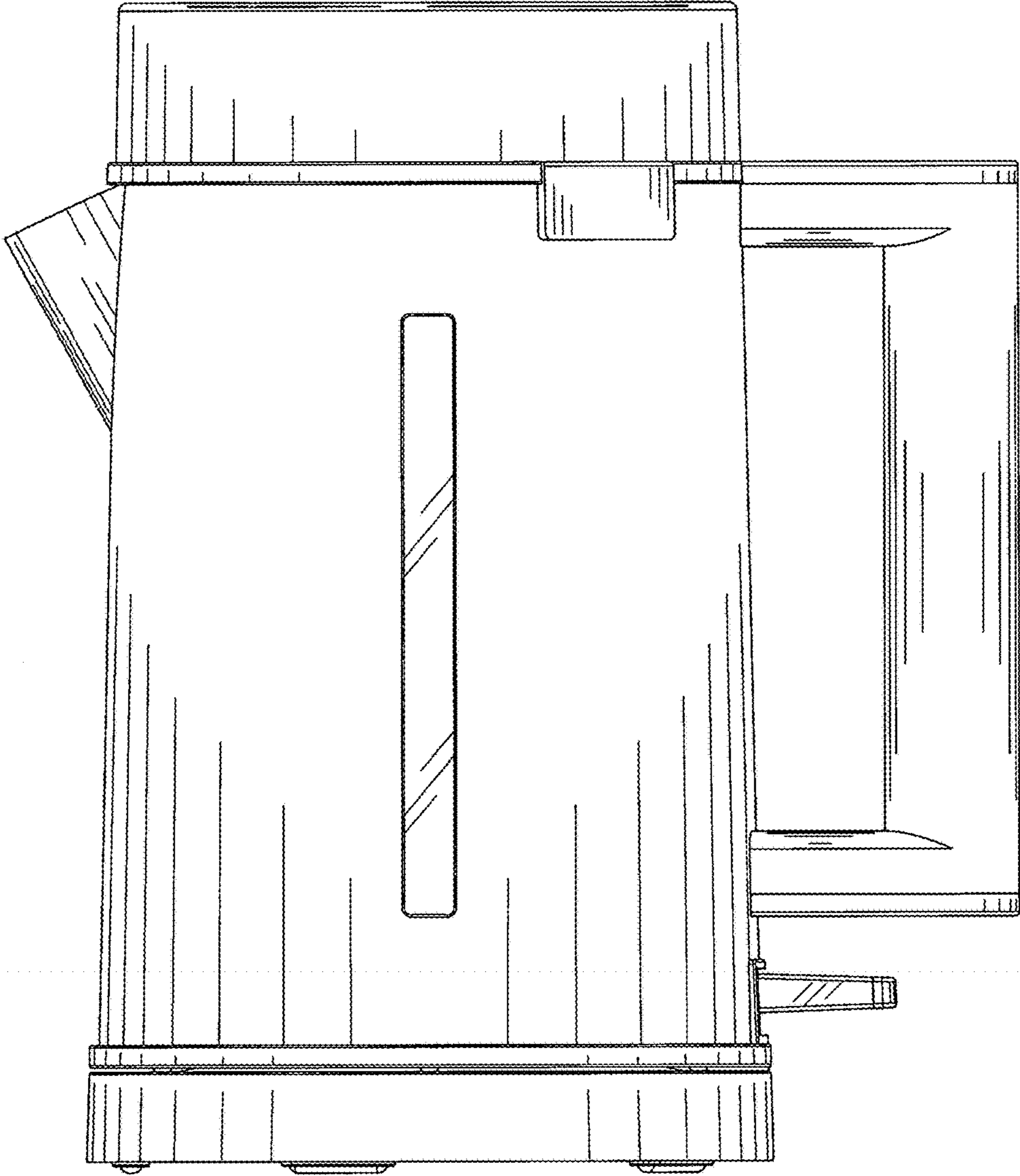


FIG. 1

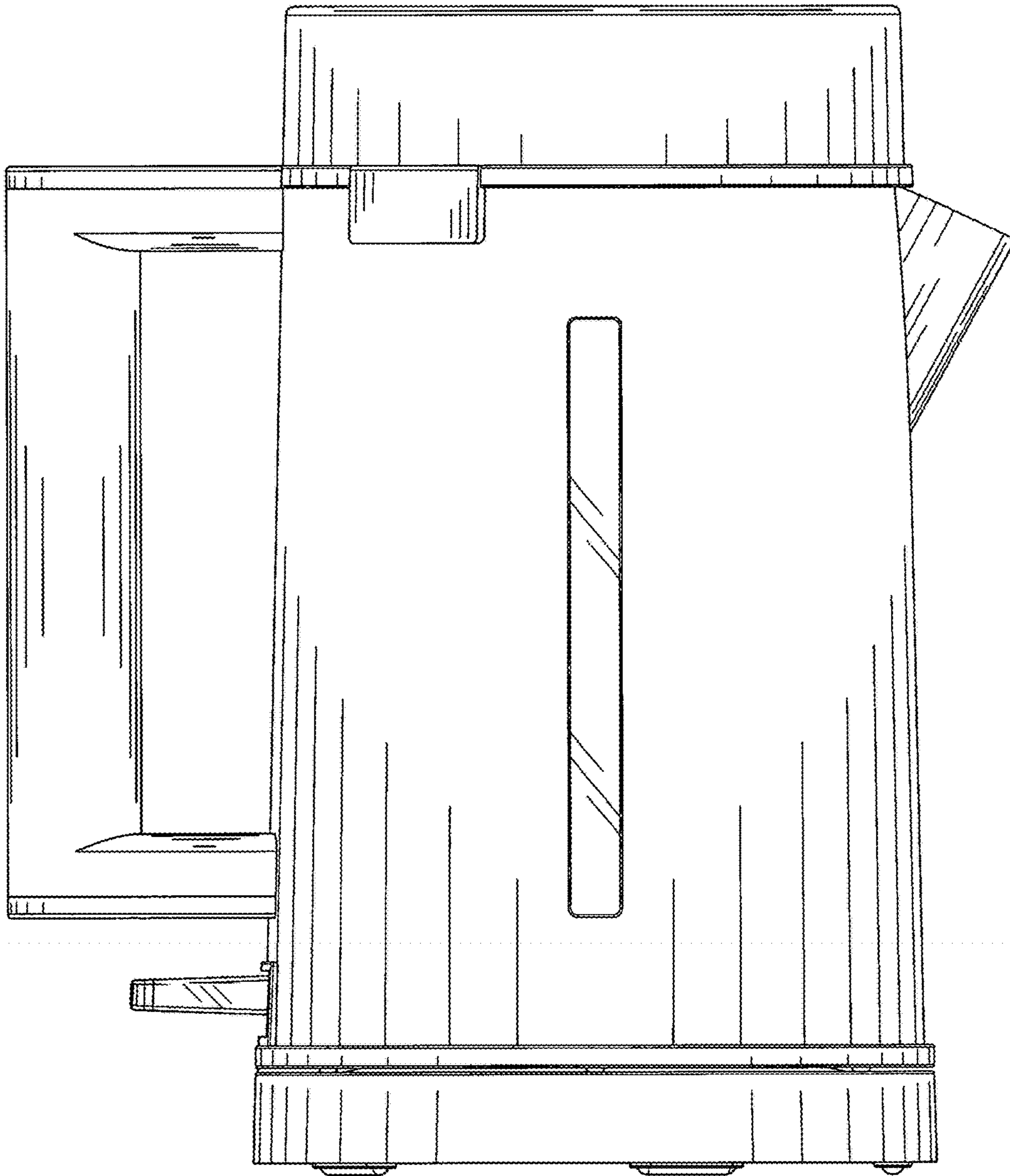


FIG. 2

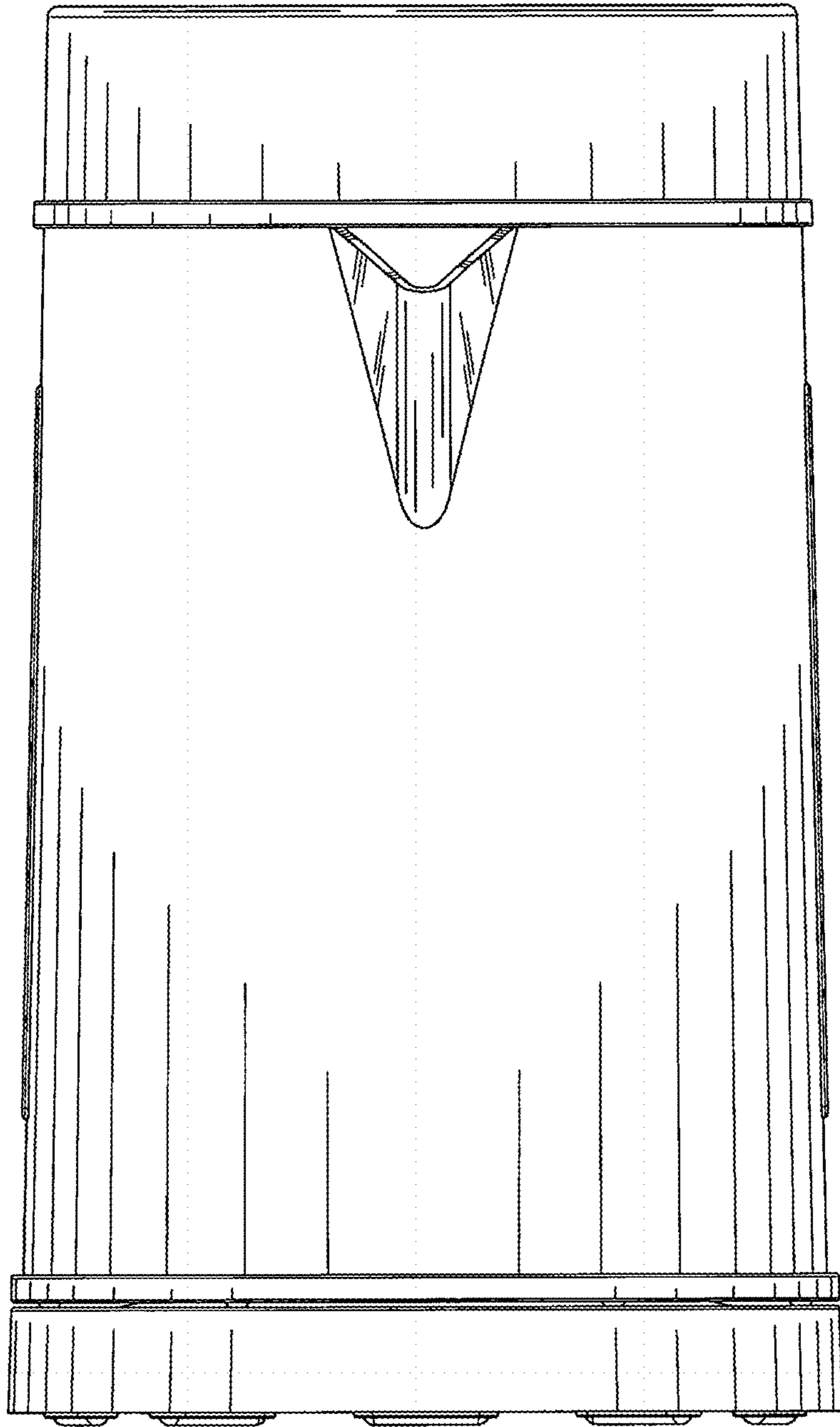


FIG. 3

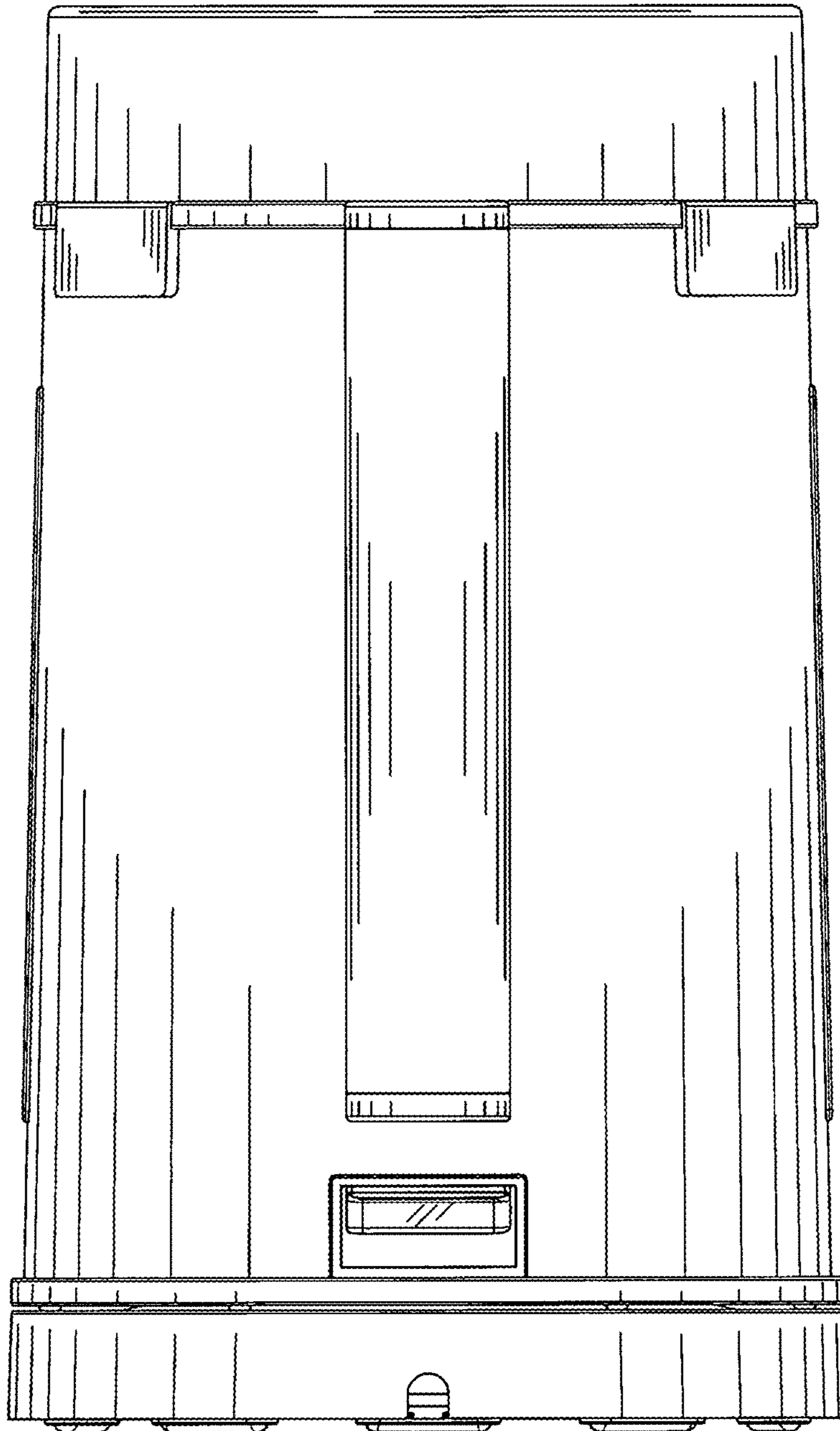


FIG. 4

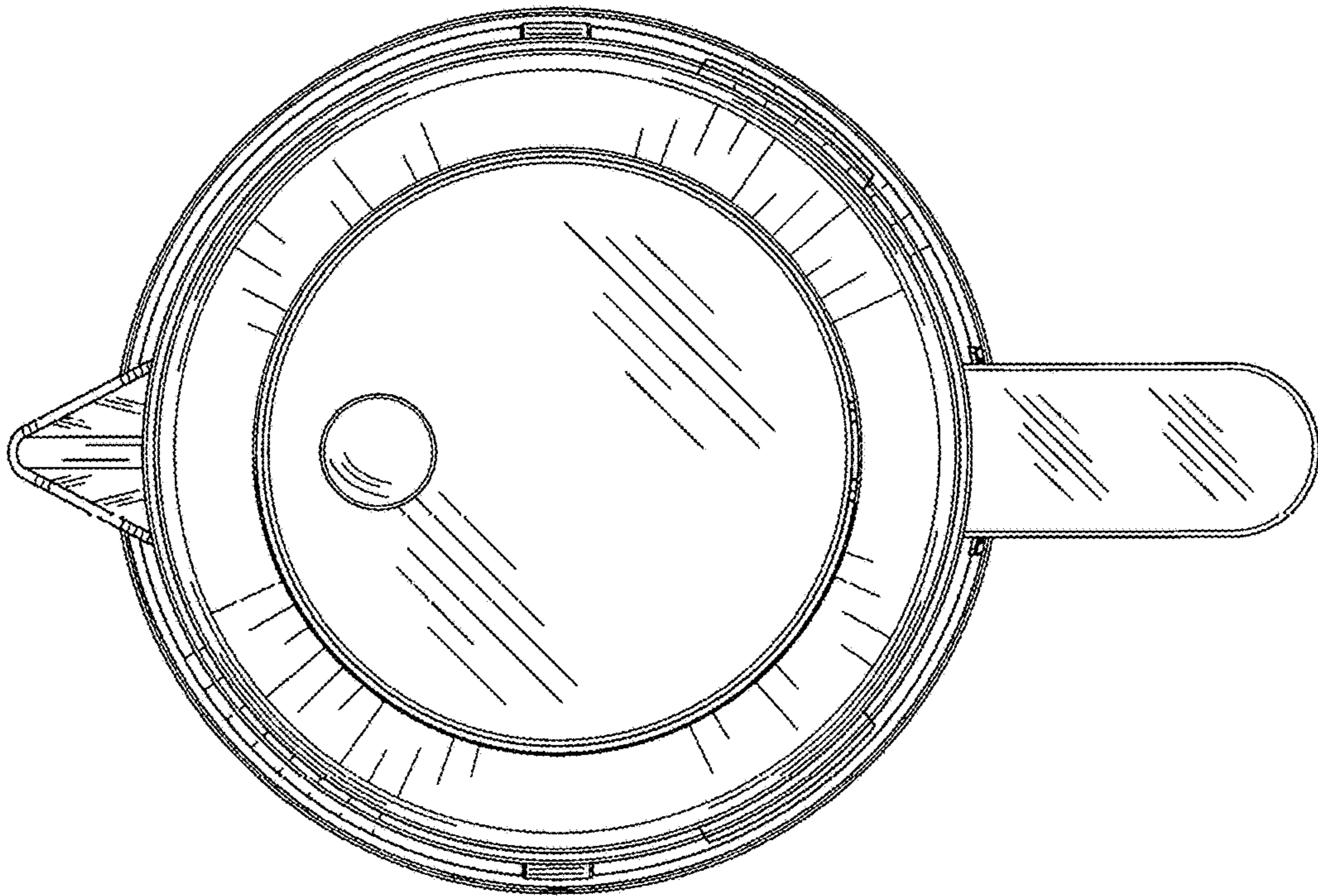


FIG. 5

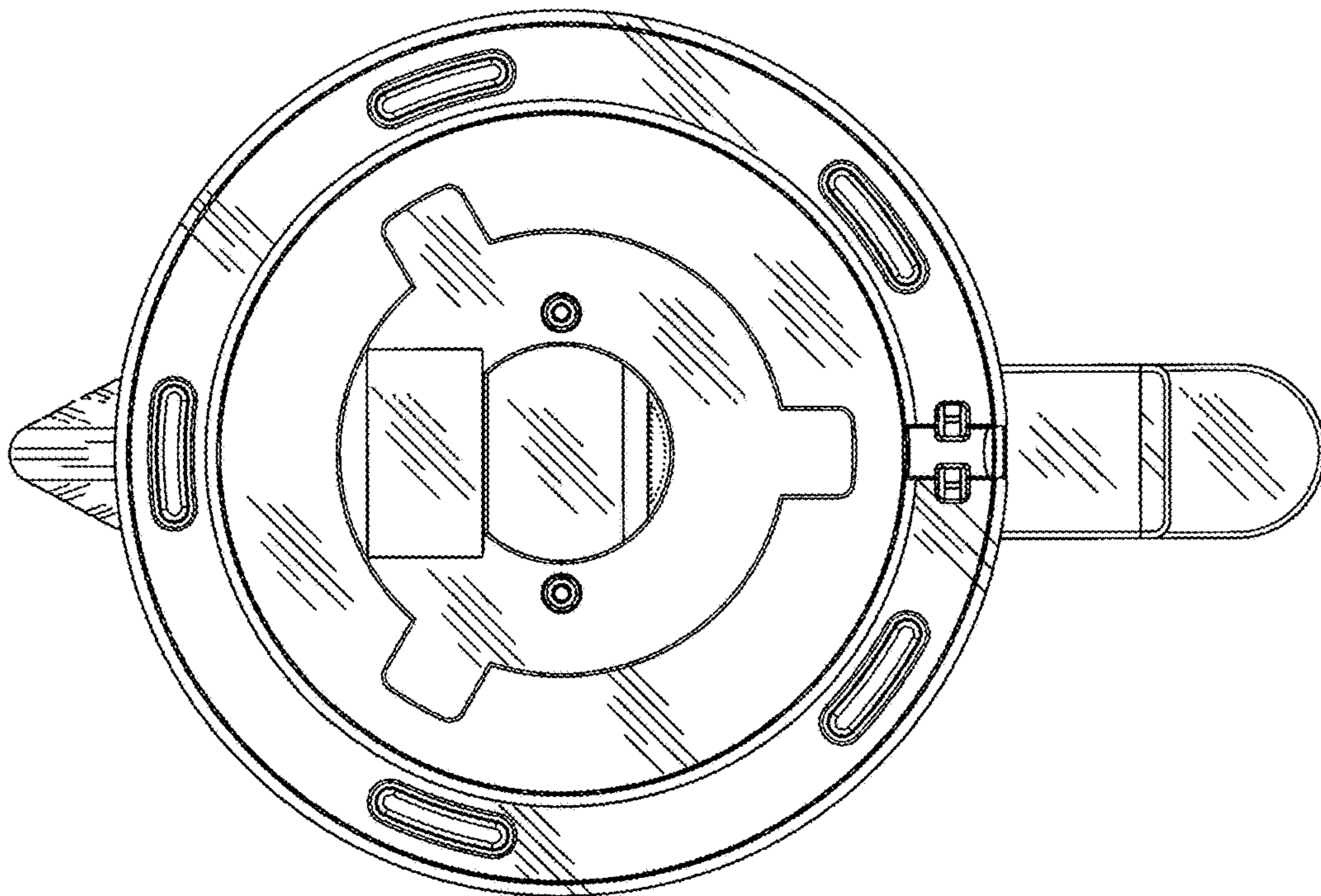


FIG. 6

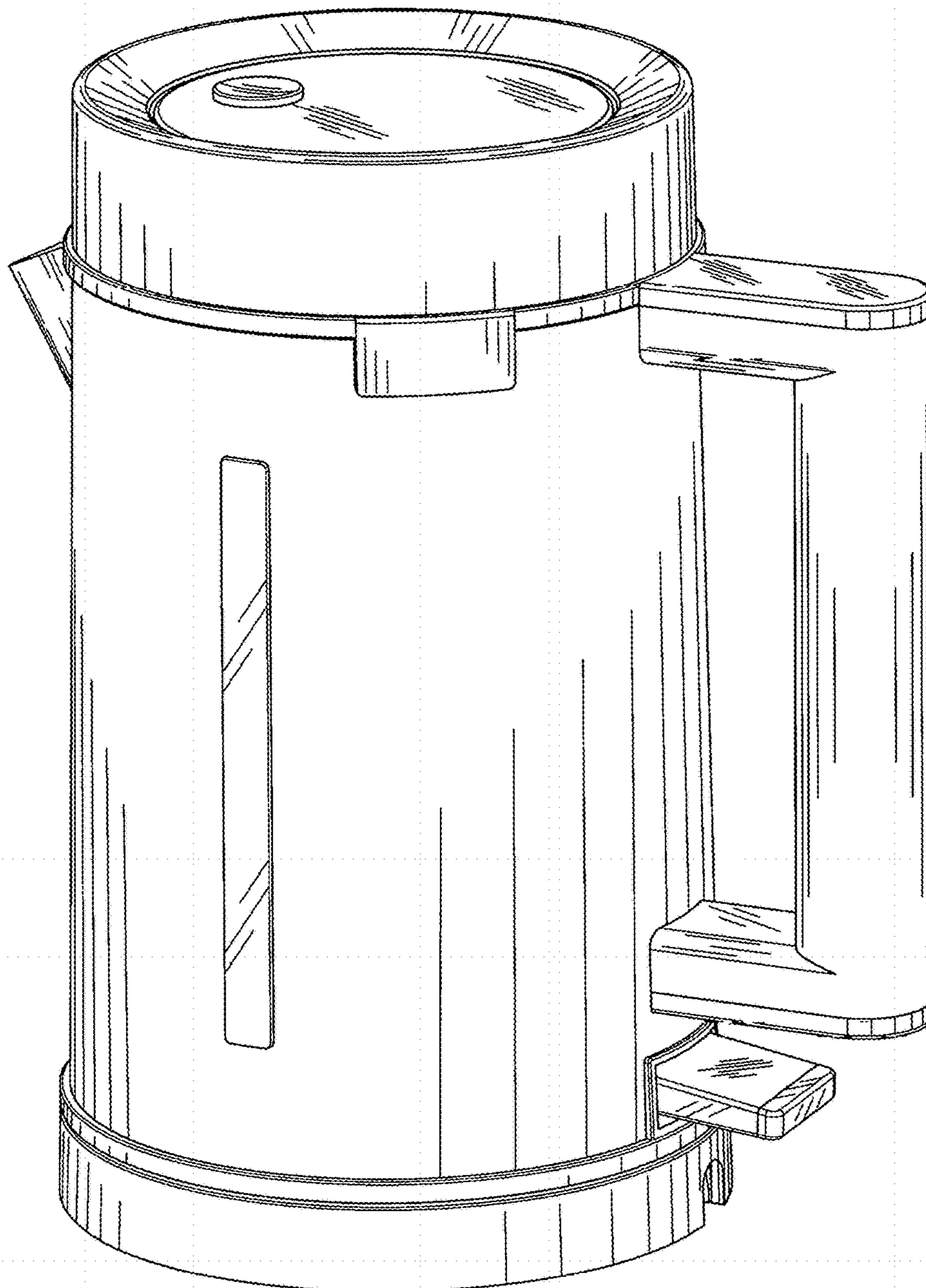


FIG. 7

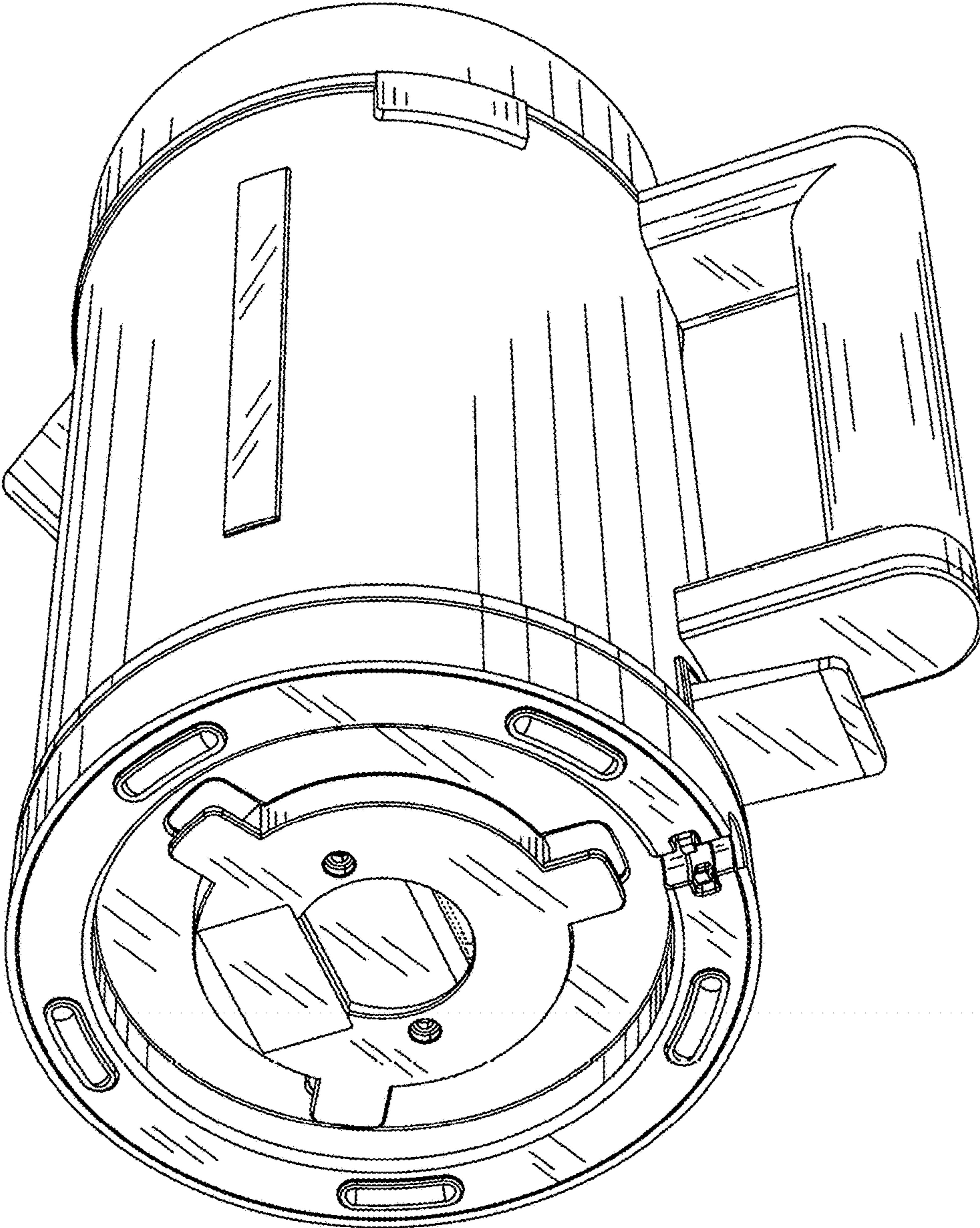


FIG. 8

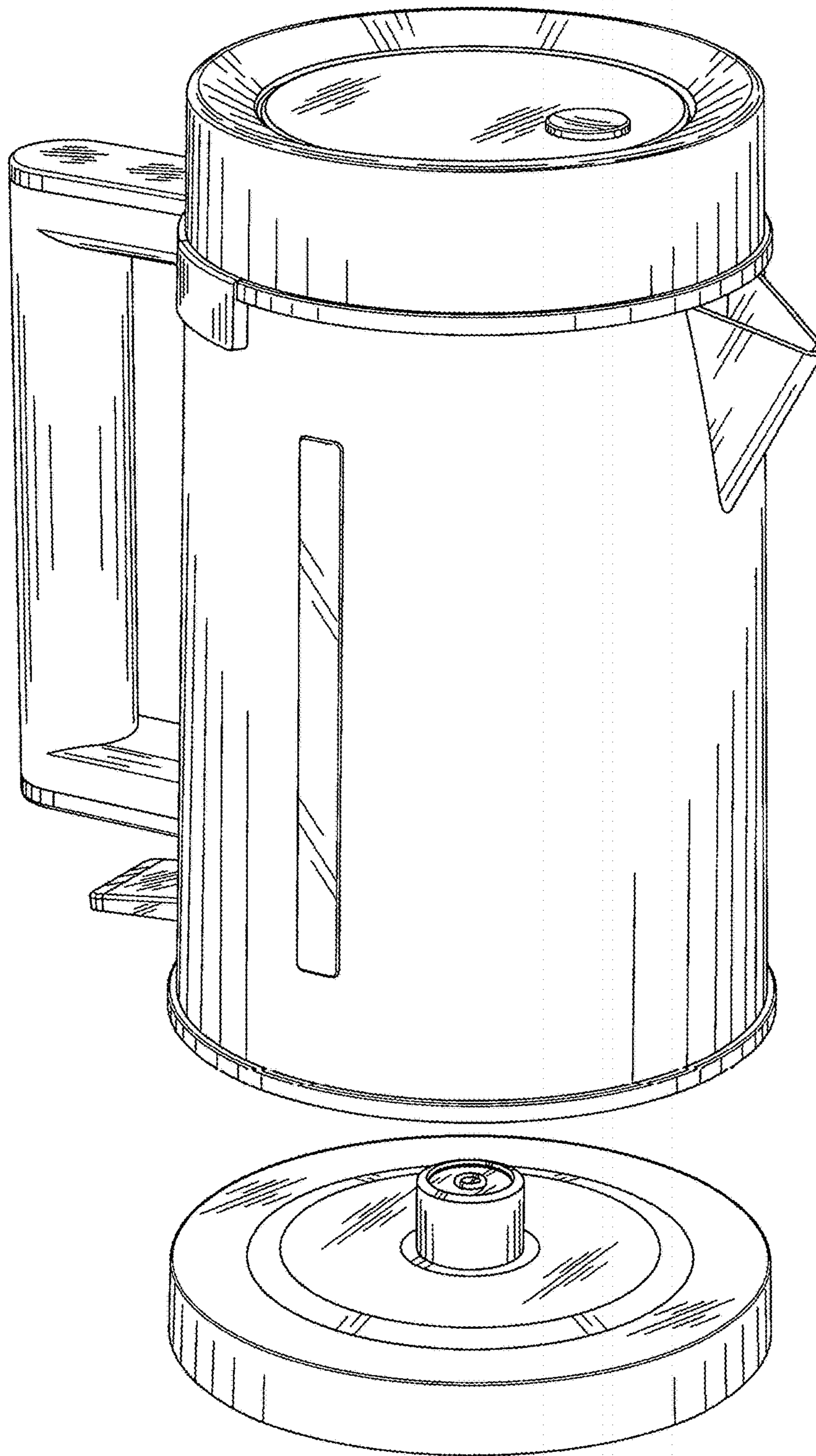


FIG. 9