



US00D815872S

(12) **United States Design Patent** (10) **Patent No.:** **US D815,872 S**  
**Friedman** (45) **Date of Patent:** **\*\* Apr. 24, 2018**

- (54) **BEVERAGE RESERVOIR**
- (71) Applicants: **Monique Epstein**, Mill Valley, CA (US); **Jordan Epstein**, Petaluma, CA (US)
- (72) Inventor: **Frank Friedman**, Mill Valley, CA (US)
- (73) Assignees: **Monique Epstein**, Mill Valley, CA (US); **Jordan Epstein**, Petaluma, CA (US)
- (\*\*) Term: **15 Years**
- (21) Appl. No.: **29/560,077**
- (22) Filed: **Apr. 1, 2016**
- (51) **LOC (11) Cl.** ..... **07-01**
- (52) **U.S. Cl.**  
USPC ..... **D7/313**
- (58) **Field of Classification Search**  
USPC ..... D7/300, 306–311, 313; D23/209;  
D30/121, 124, 129; 99/306, 307, 289 R;  
220/630; 222/131, 185.1  
(Continued)
- (56) **References Cited**  
  
U.S. PATENT DOCUMENTS  
  
D67,557 S \* 6/1925 Travis ..... D7/313  
D75,151 S 5/1928 Cordley  
(Continued)

OTHER PUBLICATIONS

USPTO Office Action, Design U.S. Appl. No. 29/560,074 to Friedman, Office Action dated Jun. 27, 2017, including Notice of References Cited, on 17 pages.

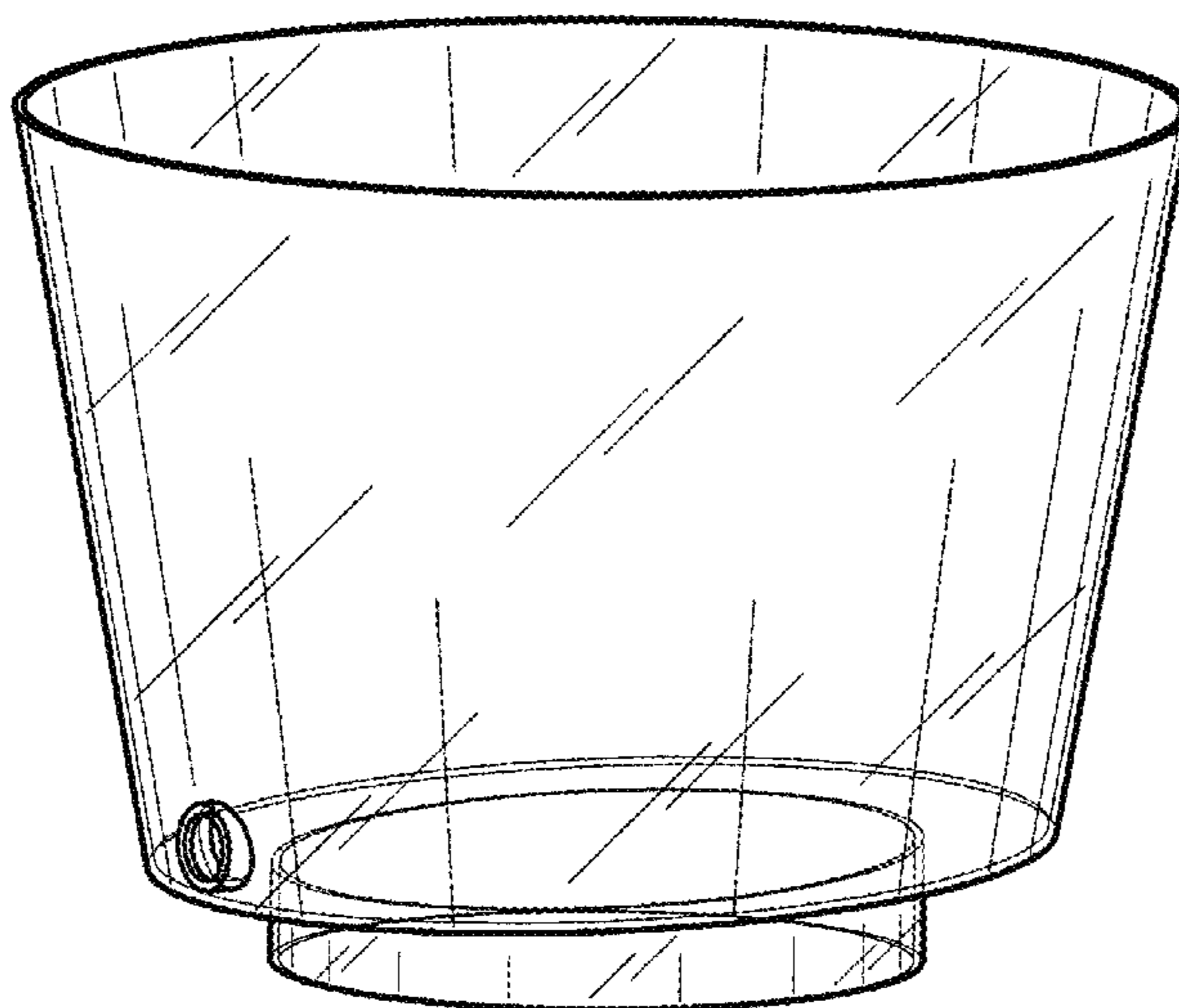
*Primary Examiner* — Daniel Bui  
*Assistant Examiner* — Andrew Kerr  
(74) *Attorney, Agent, or Firm* — Dergosits & Noah LLP

(57) **CLAIM**  
The ornamental design for a beverage reservoir, as shown and described.

**DESCRIPTION**

Portions of the present disclosure may contain materials which are subject to copyright or trademark protection. The copyright and trademark owner has no objection to the facsimile reproduction by anyone of the patent document or the patent disclosure, as it appears in the U.S. Patent and Trademark Office patent file or records, but otherwise reserves all copyright and trademark rights whatsoever.  
FIG. 1 is a perspective view of a beverage reservoir, showing our new design;  
FIG. 2 is a left side elevational view thereof;  
FIG. 3 is a right side elevational view thereof;  
FIG. 4 is a front side elevational view of thereof;  
FIG. 5 is a cross sectional view thereof taken along line 5-5 of FIG. 4;  
FIG. 6 is a back side elevational view thereof;  
FIG. 7 is a top, left and front side perspective view thereof;  
FIG. 8 is a top, left and back side perspective view thereof;  
FIG. 9 is a bottom, left and front side perspective view thereof;  
FIG. 10 is a perspective view thereof, in use condition;  
FIG. 11 is a perspective view thereof, in another use condition; and,  
FIG. 12 is a perspective view thereof, in another use condition.  
The broken line features shown in the Figures are for the purpose of illustrating features that form no part of the claimed design and for the purpose of illustrating the environmental structure in which the beverage reservoir design is intended to be used, and which forms no part of the claimed design.

**1 Claim, 12 Drawing Sheets**



(58) **Field of Classification Search**

CPC .. A47J 31/00; A47J 31/40; A47J 31/42; A47J  
31/50

See application file for complete search history.

(56) **References Cited**

U.S. PATENT DOCUMENTS

D169,793	S	6/1953	Selling	
D194,117	S	11/1962	Weiss	
3,178,557	A	4/1965	Umann	
D512,538	S *	12/2005	Bird .....	119/52.1
D543,768	S	6/2007	Ford	
D599,159	S *	9/2009	Stein .....	D7/306
D633,752	S *	3/2011	Macler .....	D7/306
D677,100	S	3/2013	Amundson	
D685,599	S *	7/2013	Miller .....	D7/306
D723,316	S *	3/2015	Epstein .....	D7/306
D729,565	S	5/2015	Starr	
D778,097	S *	2/2017	Muspratt-Williams .....	D7/306
2005/0077318	A1	4/2005	Macler	
2010/0212419	A1 *	8/2010	Radhakrishnan .....	A47J 31/50 73/304 C

\* cited by examiner

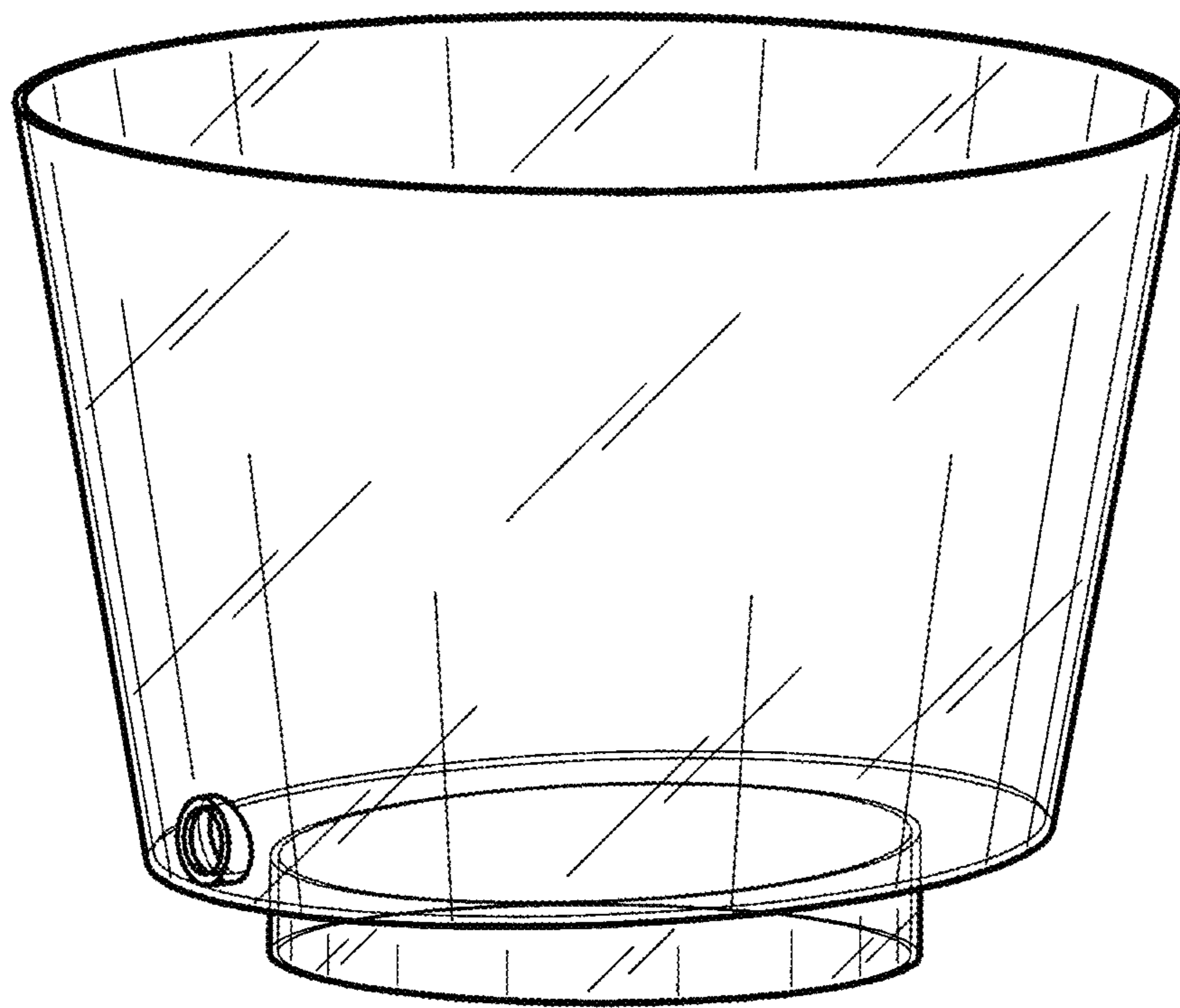


FIG. 1

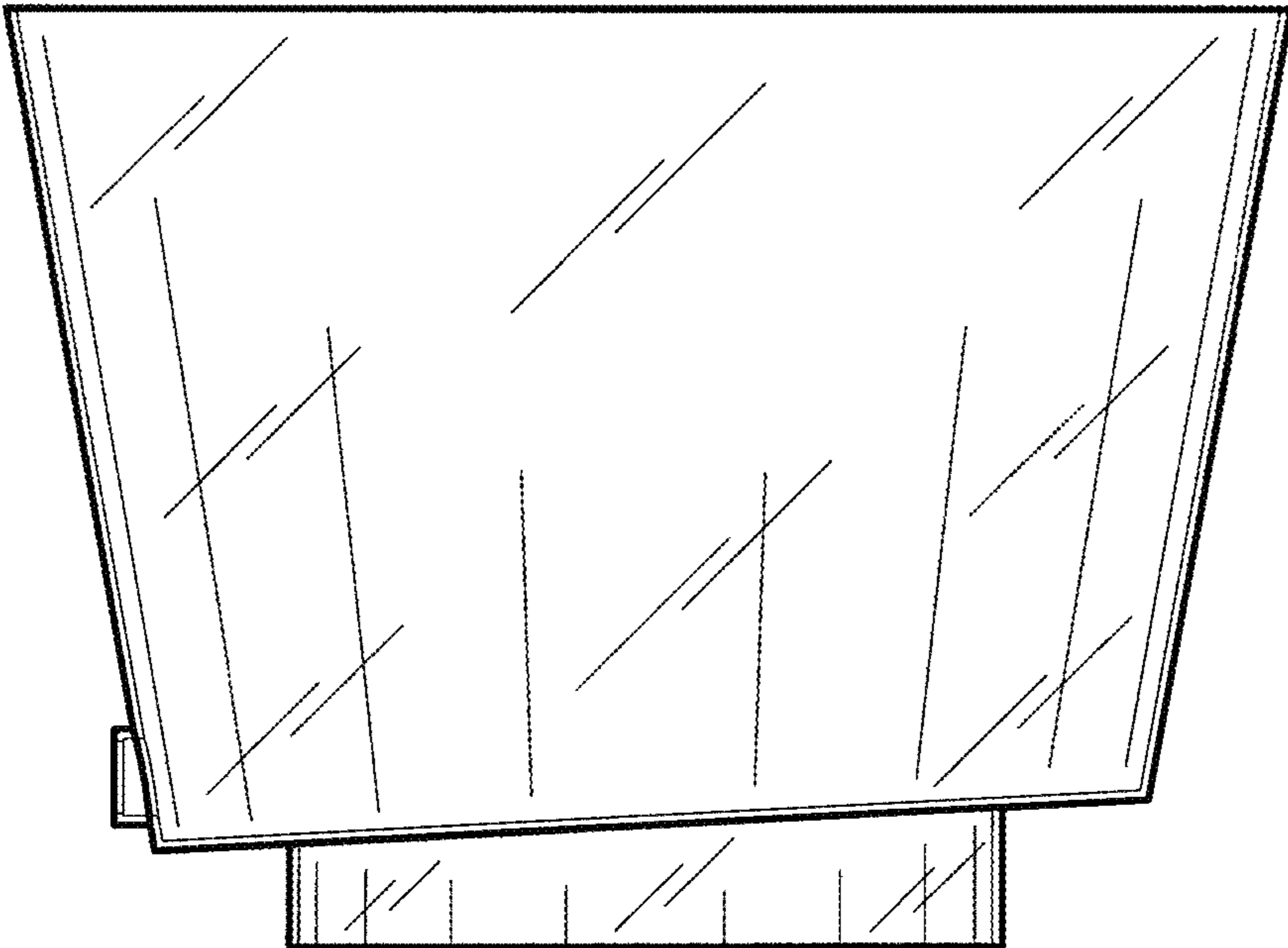


FIG. 2

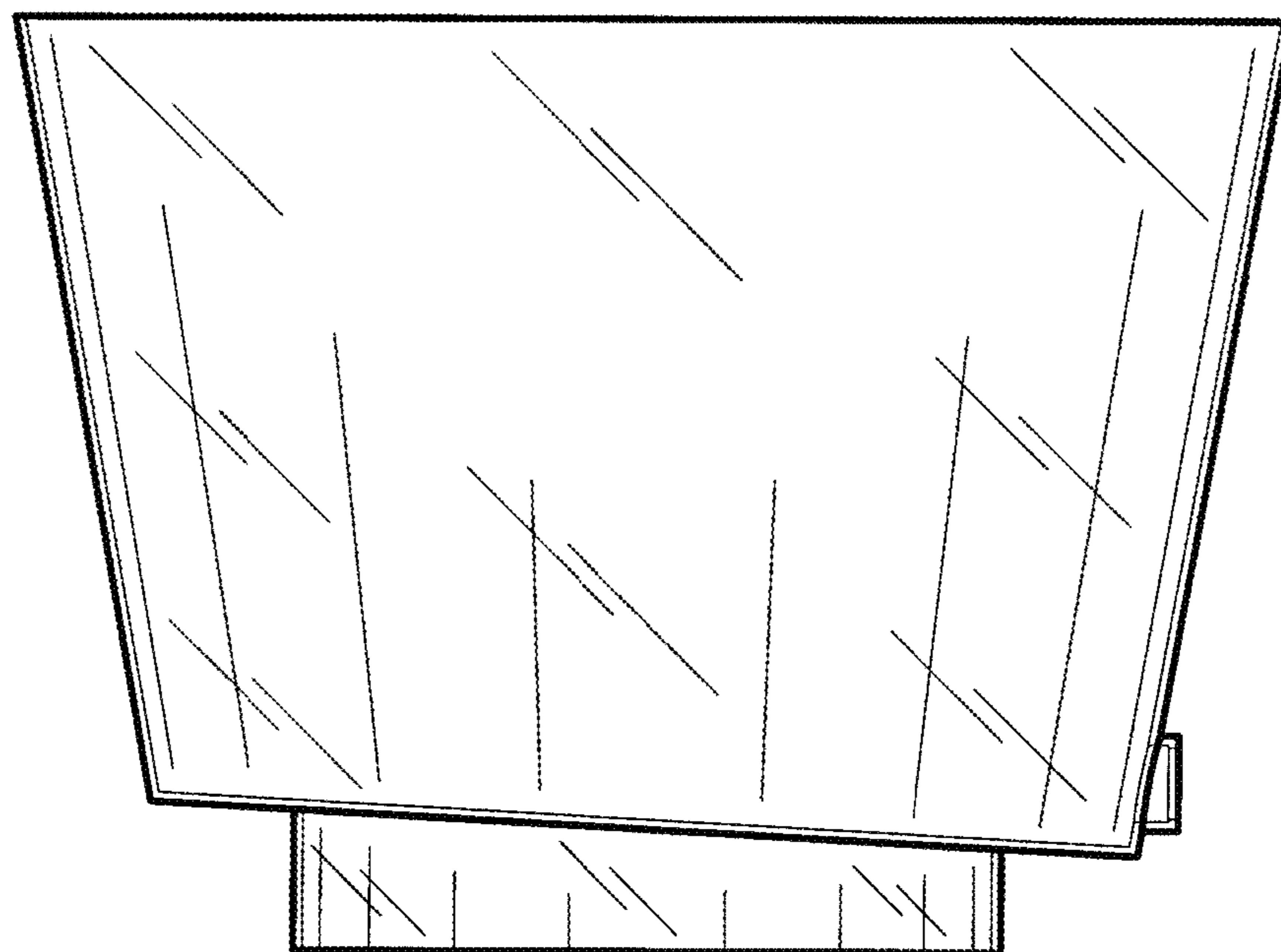


FIG. 3

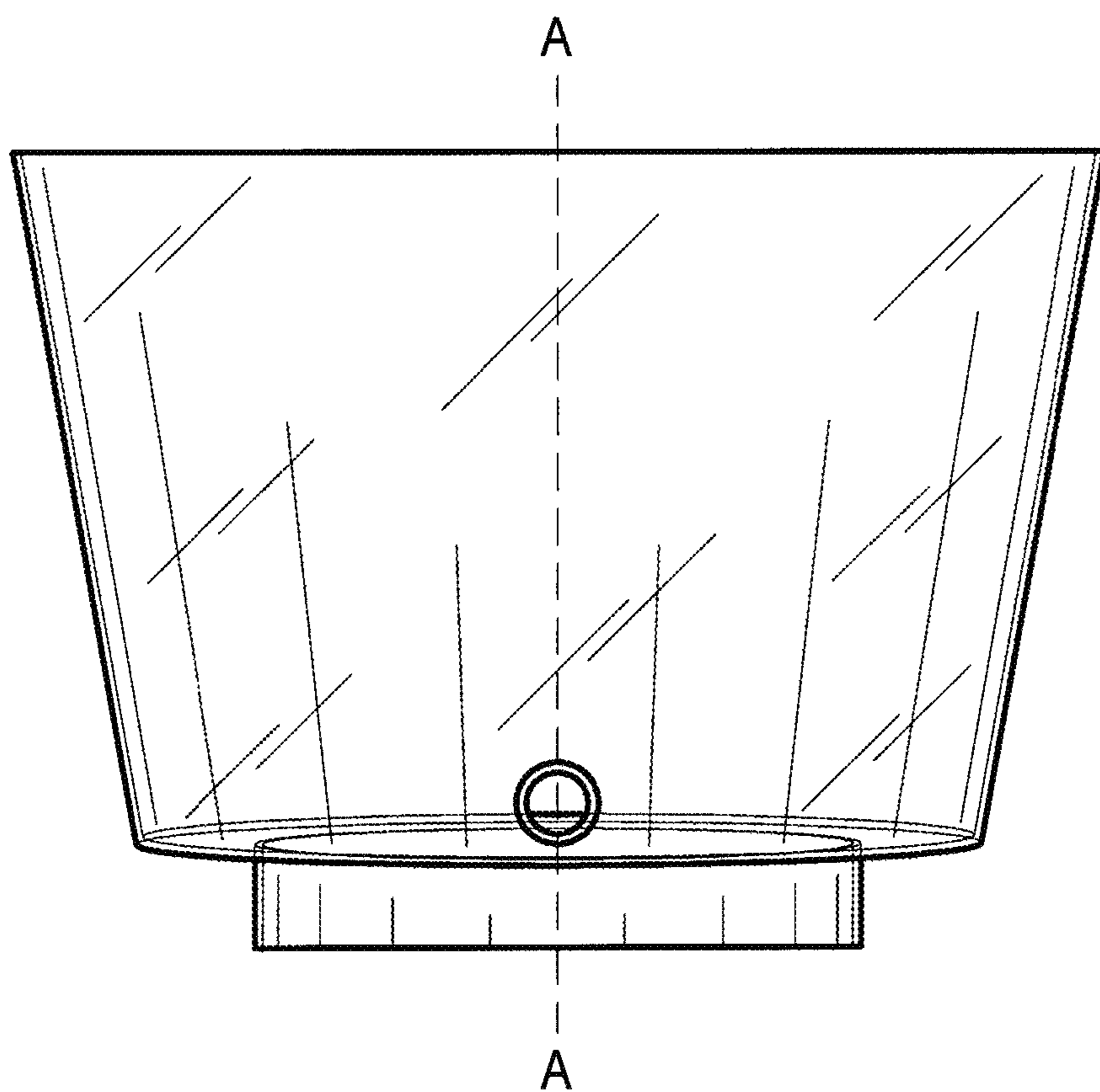


FIG. 4

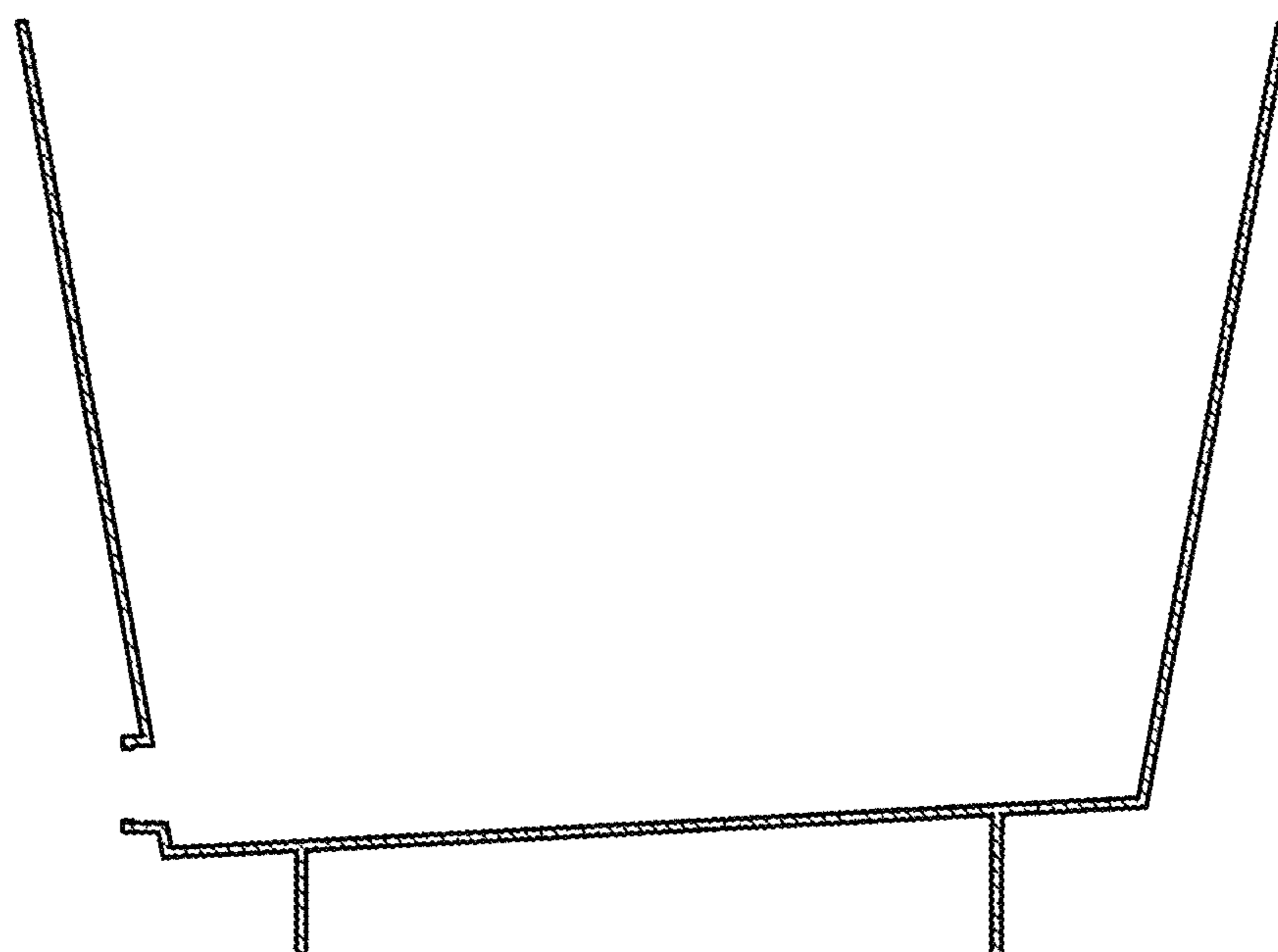


FIG. 5

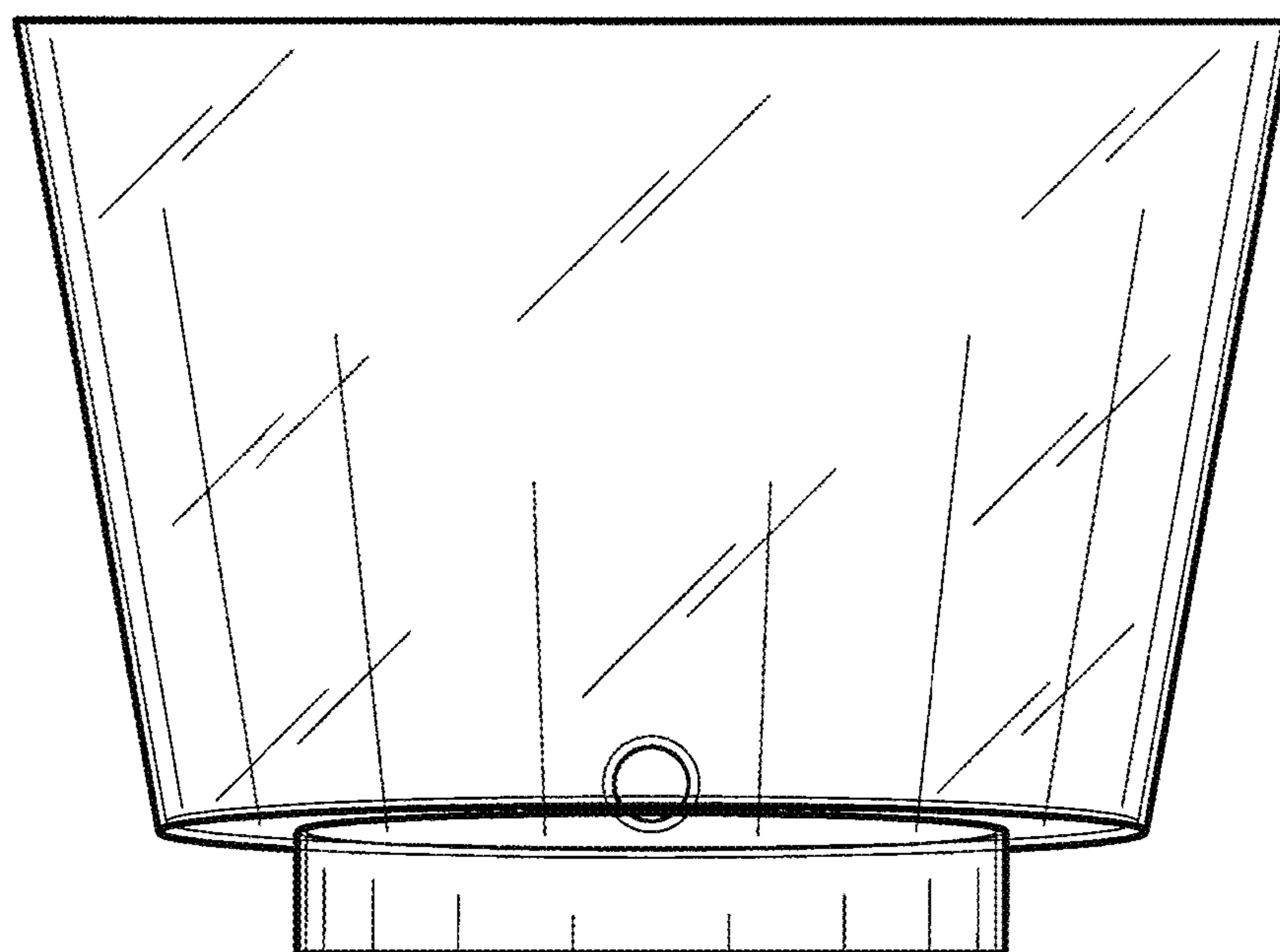


FIG. 6



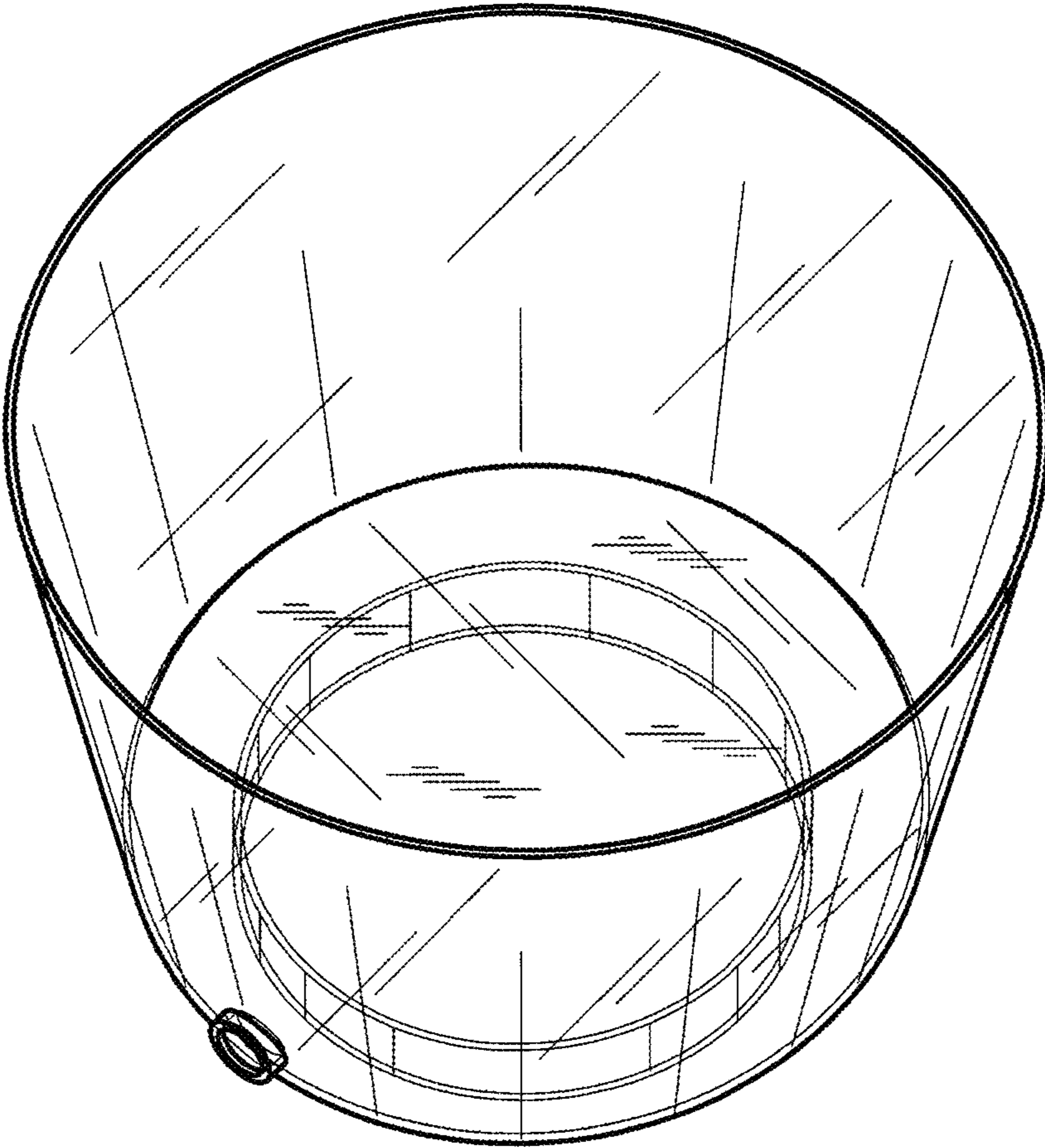


FIG. 7

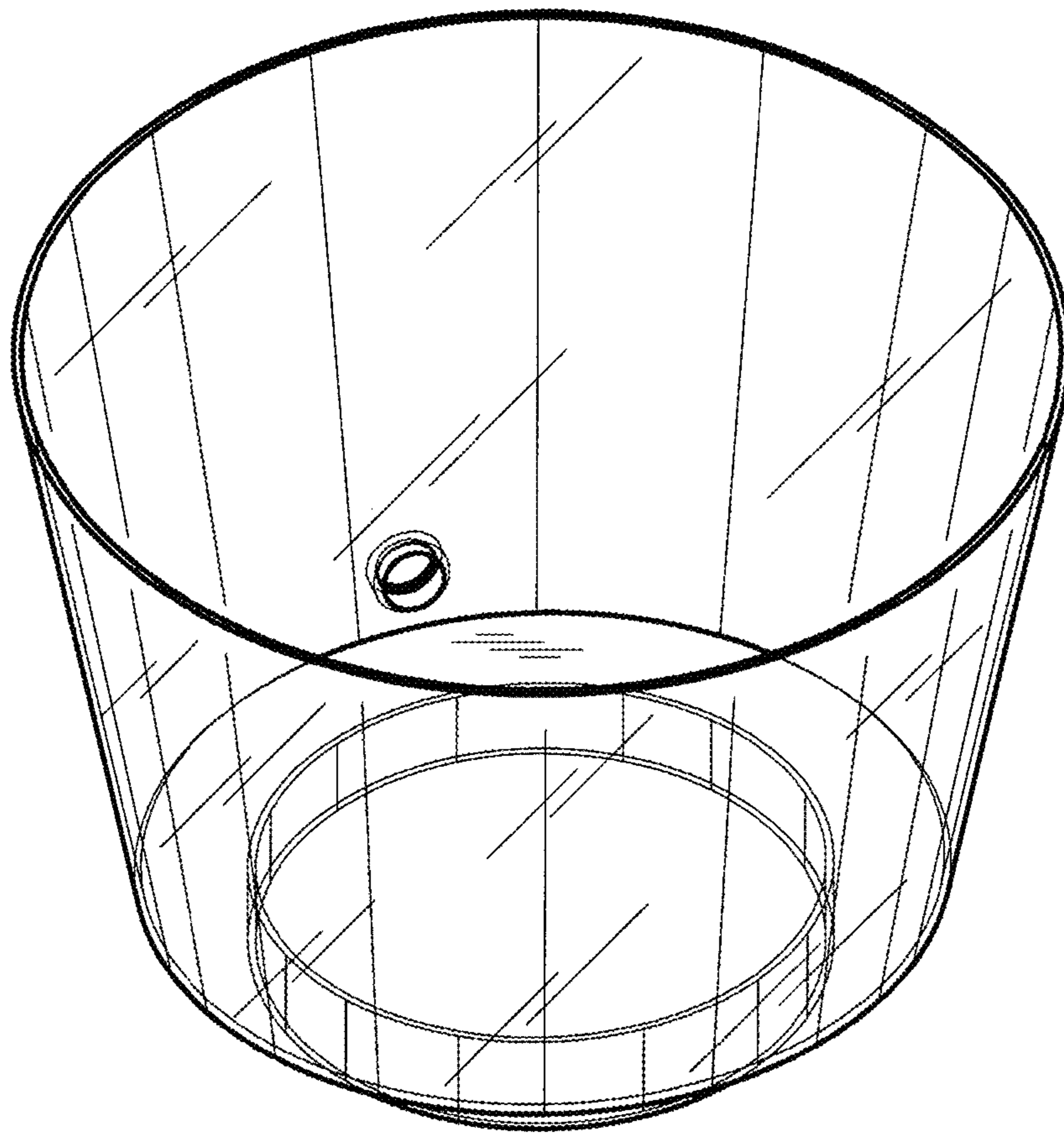


FIG. 8

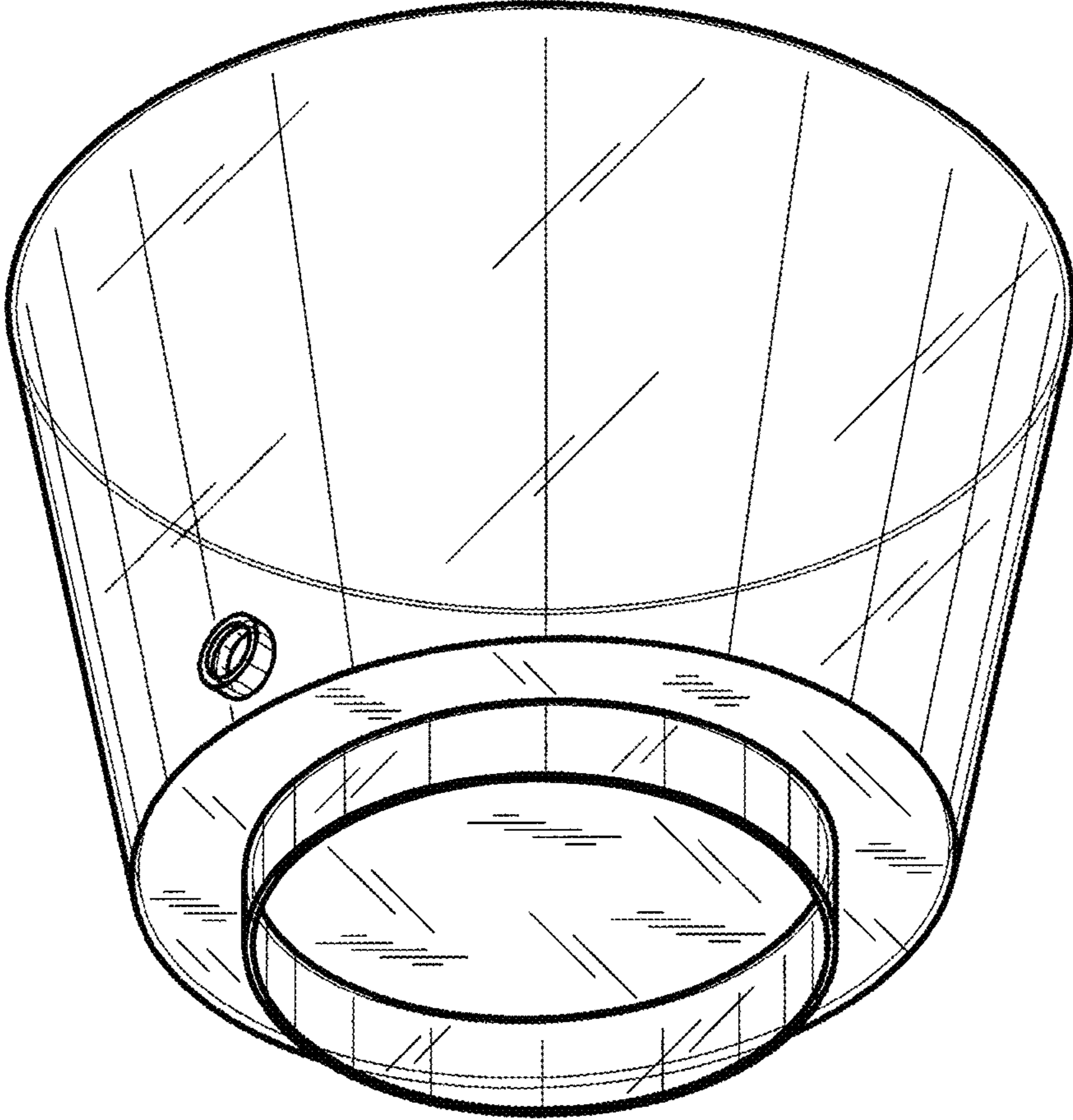


FIG. 9

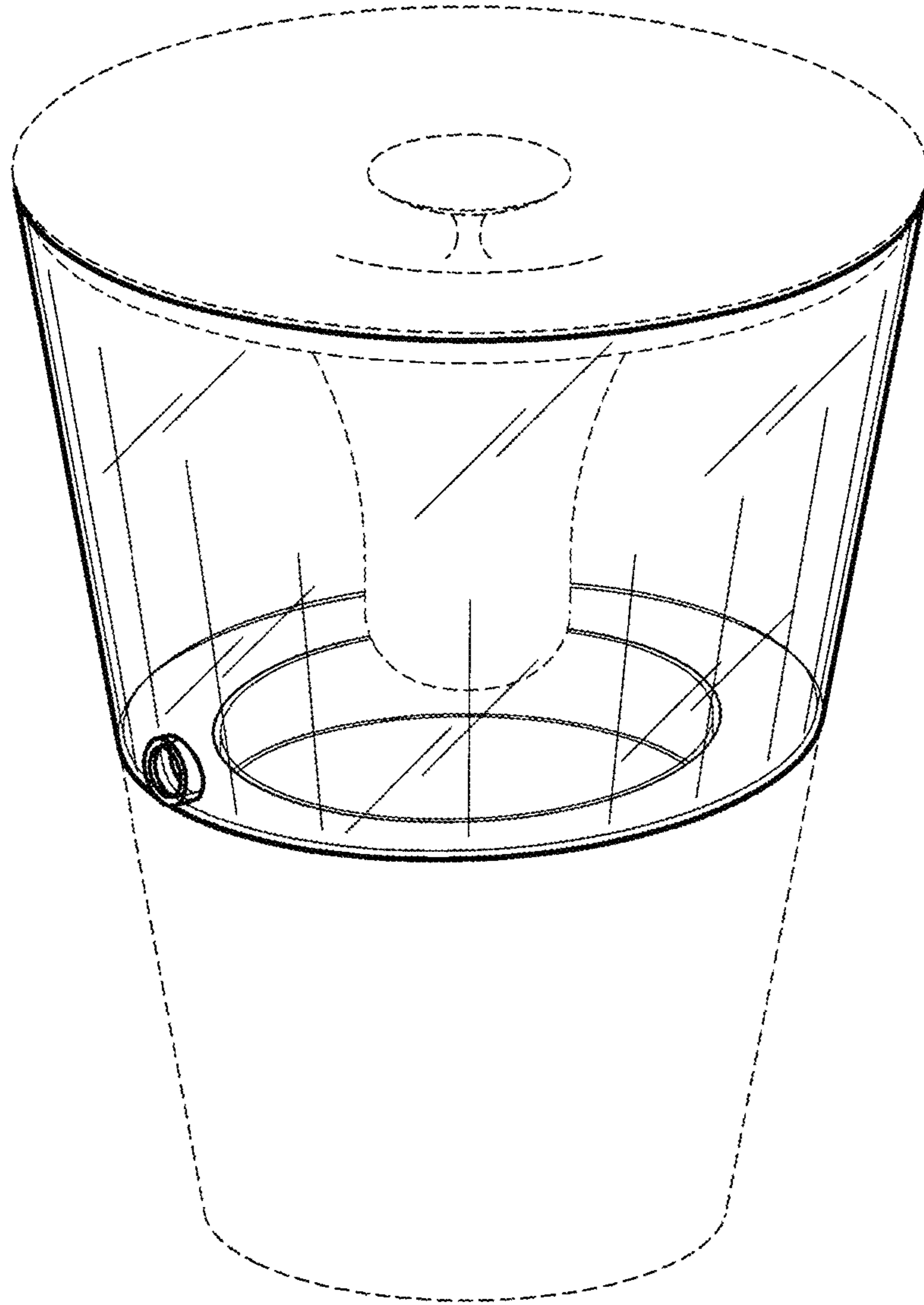


FIG. 10

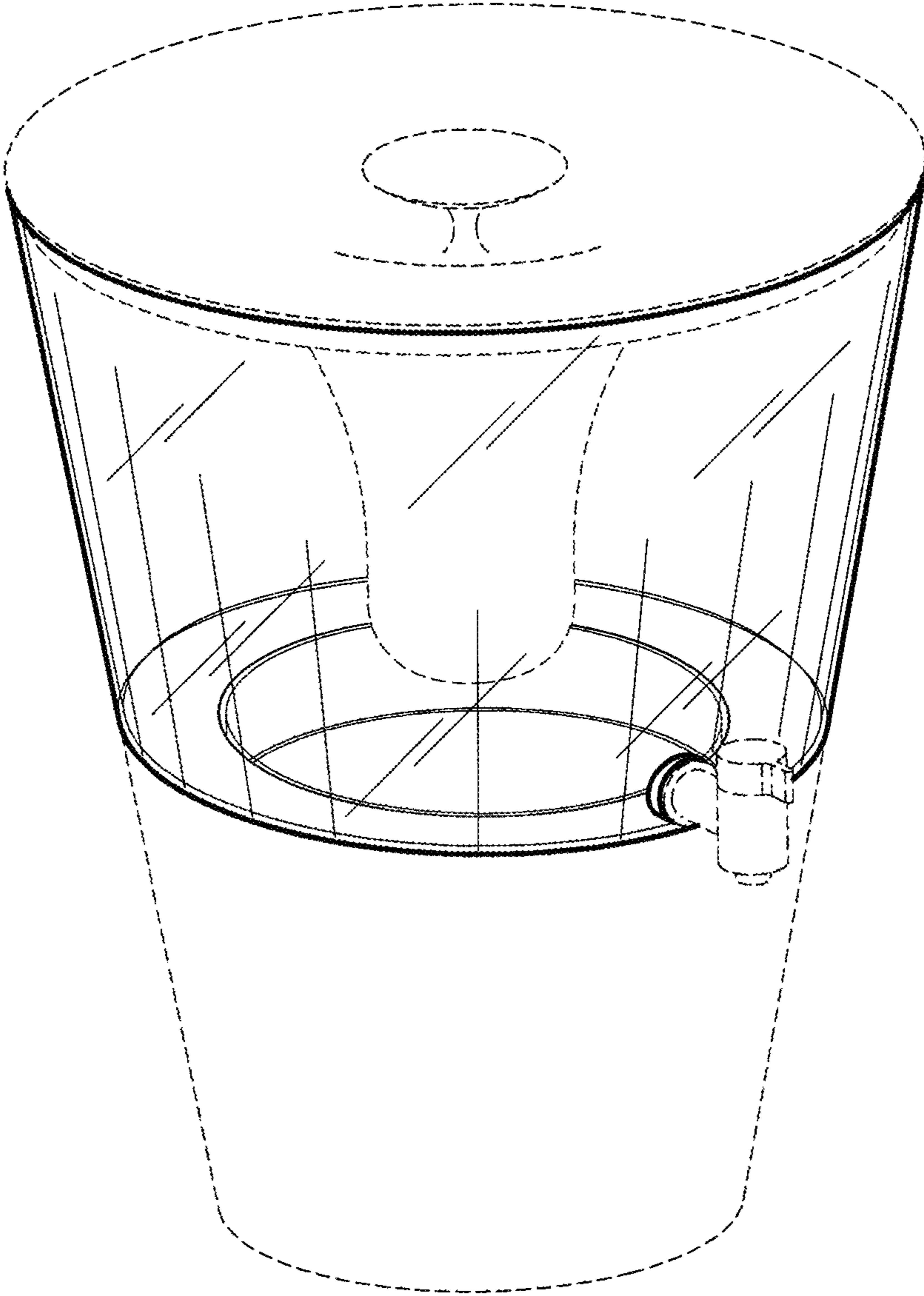


FIG. 11

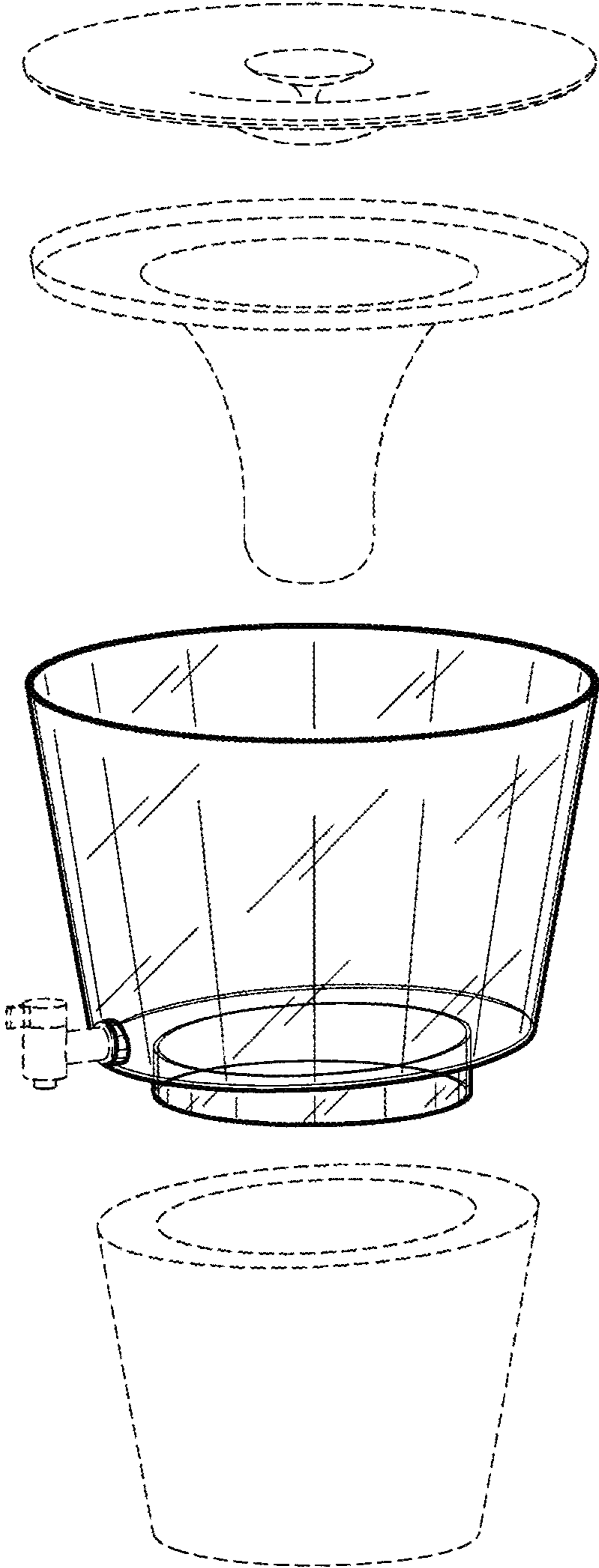


FIG. 12