



US00D815871S

(12) **United States Design Patent**  
**Gollnick**

(10) **Patent No.:** **US D815,871 S**

(45) **Date of Patent:** **\*\* Apr. 24, 2018**

(54) **COFFEE MAKER**

(71) Applicant: **K-FEE SYSTEM GMBH**, Bergisch Gladbach (DE)

(72) Inventor: **Carsten Gollnick**, Potsdam (DE)

(73) Assignee: **K-FEE SYSTEM GMBH**, Bergisch Gladbach (DE)

(\*\*) Term: **15 Years**

(21) Appl. No.: **29/556,082**

(22) Filed: **Feb. 26, 2016**

(51) **LOC (11) Cl.** ..... **07-01**

(52) **U.S. Cl.**  
USPC ..... **D7/309**; D7/311; D7/310

(58) **Field of Classification Search**  
USPC ..... D7/305-311, 313; D15/82; 222/129.1, 222/146.6; 99/295  
CPC ..... A47J 31/44; A47J 31/4403; A47J 31/46; A47J 31/4482; A47J 31/369; A47J 31/407; A47J 31/10; A47J 31/467; A47J 31/0615; A47J 31/32; B67D 1/36; B67D 2210/0065; B67D 1/0864; B67D 3/0061  
See application file for complete search history.

(56) **References Cited**

**U.S. PATENT DOCUMENTS**

D267,032 S \* 11/1982 Lafontaine ..... D23/207  
4,386,556 A \* 6/1983 Romey, Sr. .... A47J 31/0576  
222/209

4,572,060 A \* 2/1986 Yung-Kuan ..... A47J 31/057  
99/280  
D318,973 S \* 8/1991 Hasslacher ..... D7/308  
D562,051 S \* 2/2008 Hulett ..... D7/306  
D689,321 S \* 9/2013 Nett ..... D7/309  
D720,567 S \* 1/2015 Cauwood ..... D7/306  
D731,911 S \* 6/2015 Huang ..... D10/101  
D739,169 S \* 9/2015 Shao ..... D7/309  
D763,613 S \* 8/2016 Han ..... D7/306  
D763,614 S \* 8/2016 Han ..... D7/306  
D765,454 S \* 9/2016 Romandy ..... D7/309  
D778,098 S \* 2/2017 Horimoto ..... D7/306

\* cited by examiner

*Primary Examiner* — Marianne Pandozzi

(74) *Attorney, Agent, or Firm* — The Dobrusin Law Firm, P.C.

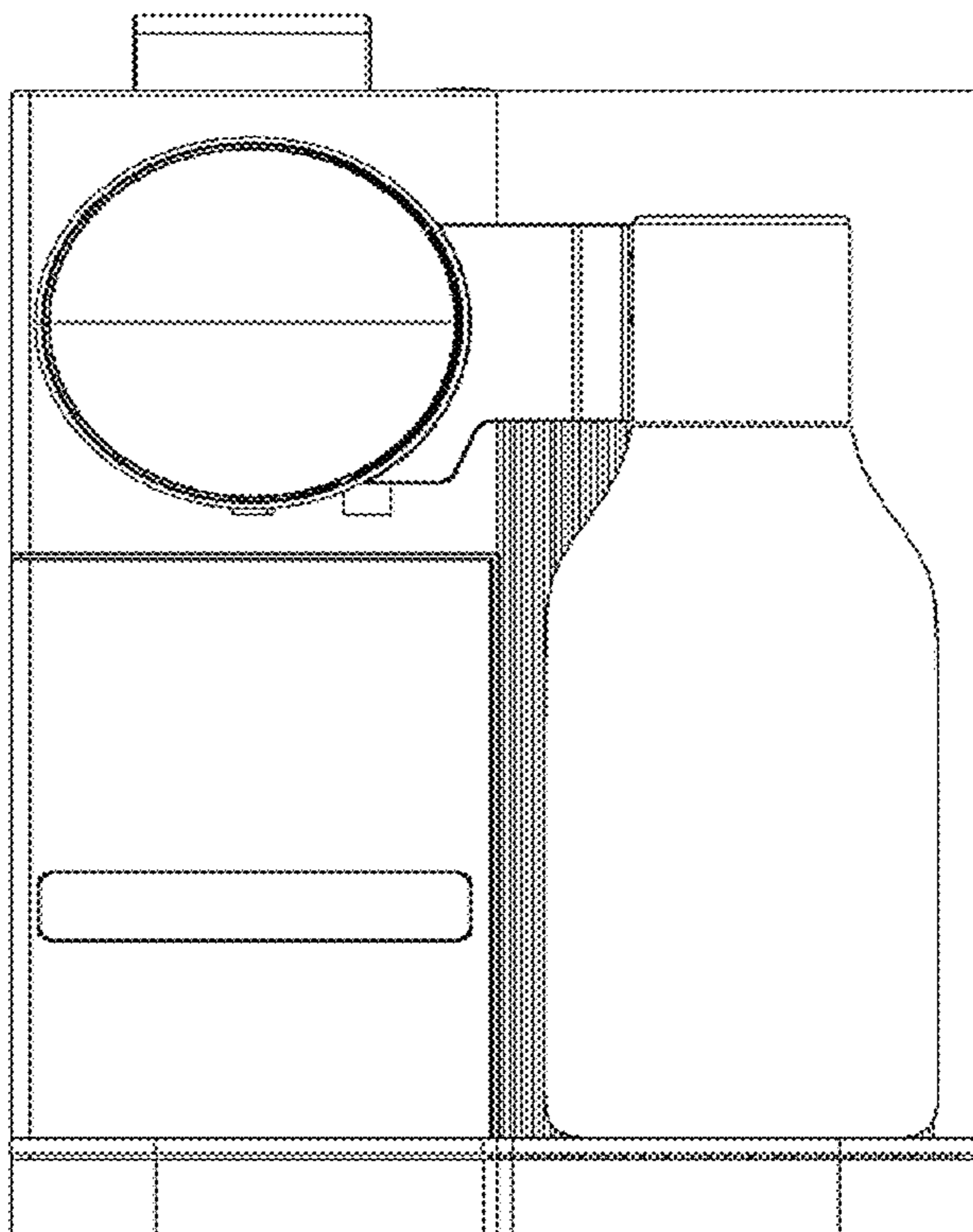
(57) **CLAIM**

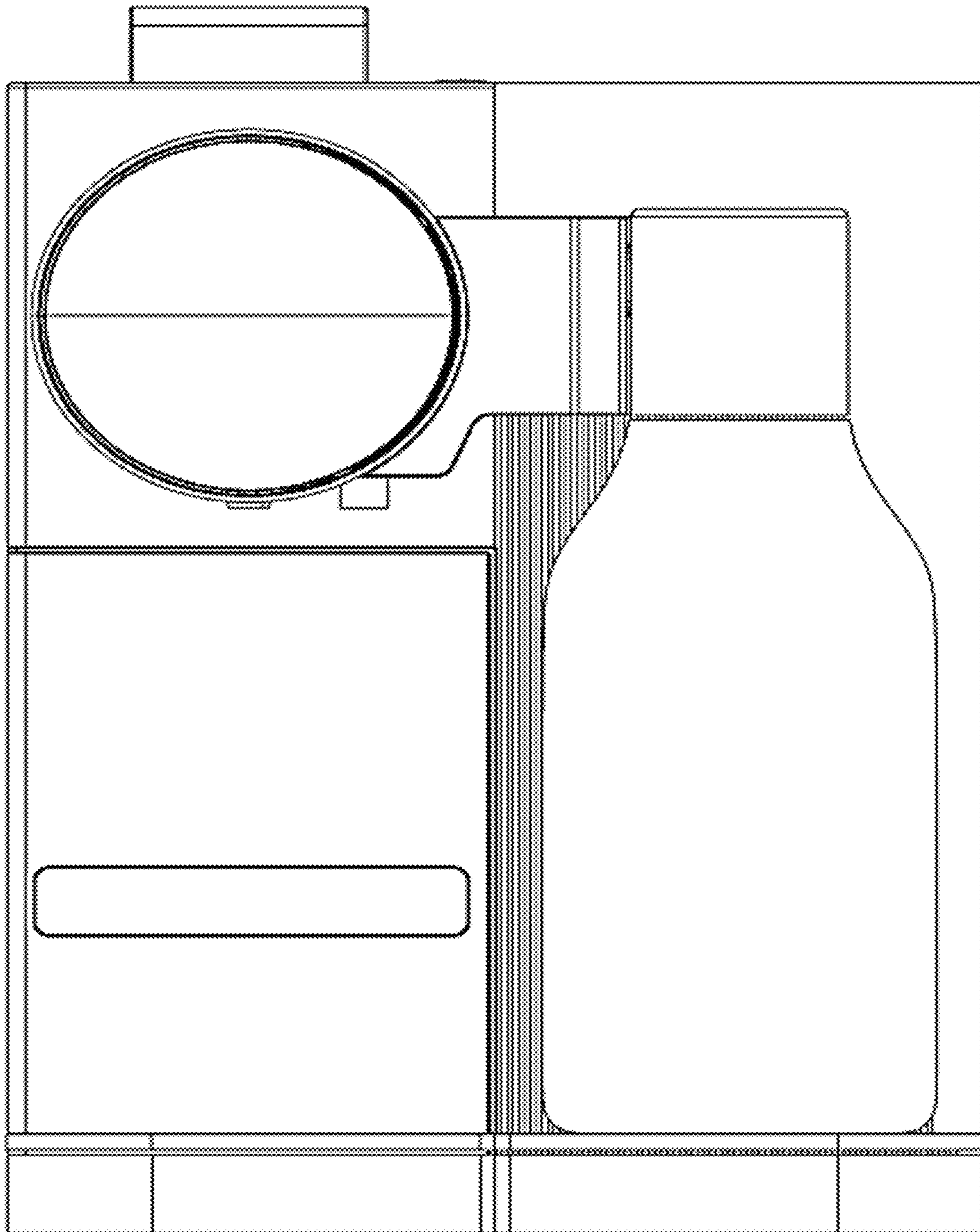
The ornamental design for a coffee maker, as shown and described.

**DESCRIPTION**

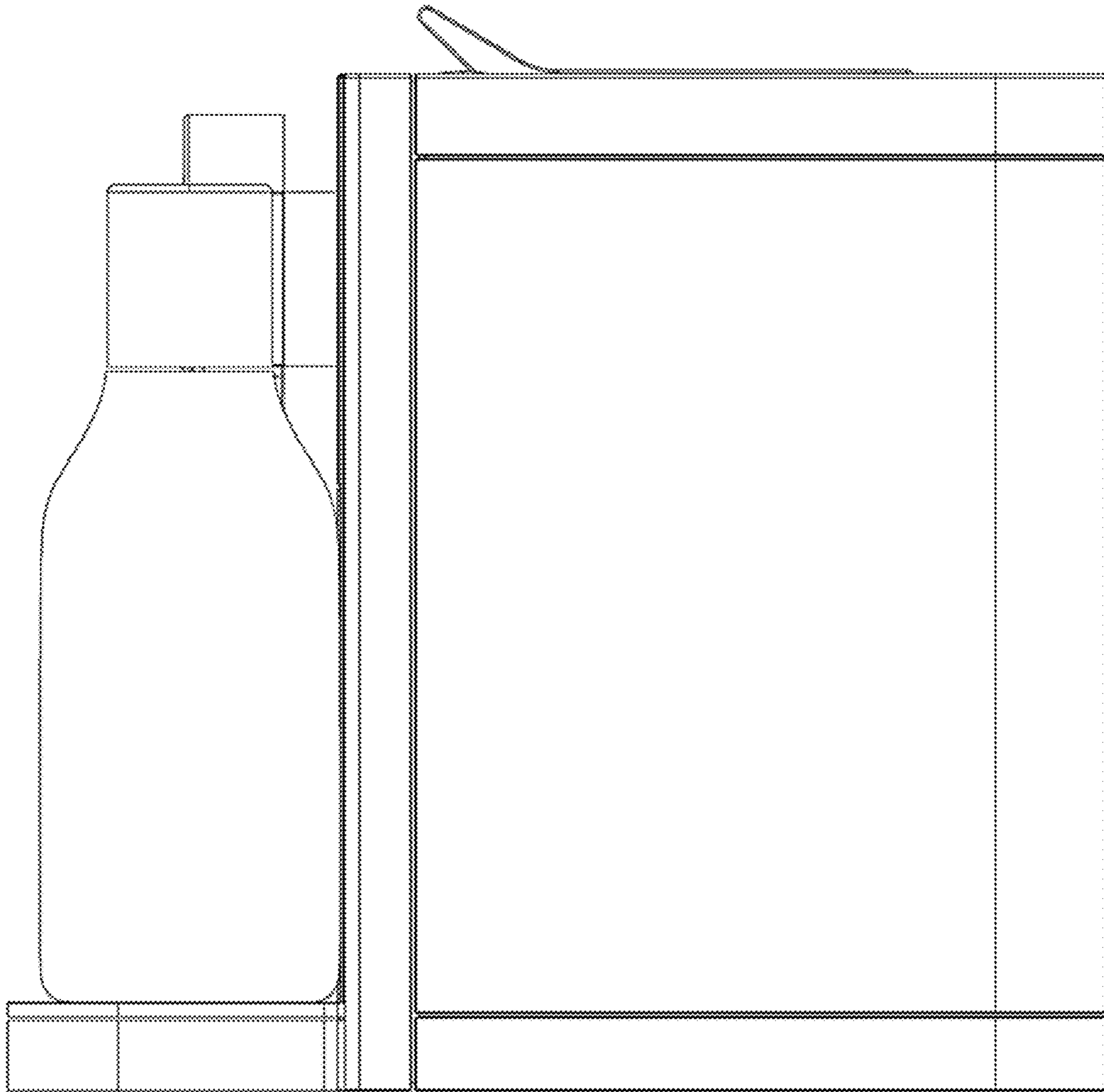
FIG. 1 is a front view of a coffee maker showing my new design;  
FIG. 2 is a right side view of the coffee maker of FIG. 1.  
FIG. 3 is a left side view of the coffee maker of FIG. 1.  
FIG. 4 is a top plan view of the coffee maker of FIG. 1; and,  
FIG. 5 is a rear view of the coffee maker of FIG. 1.

**1 Claim, 5 Drawing Sheets**

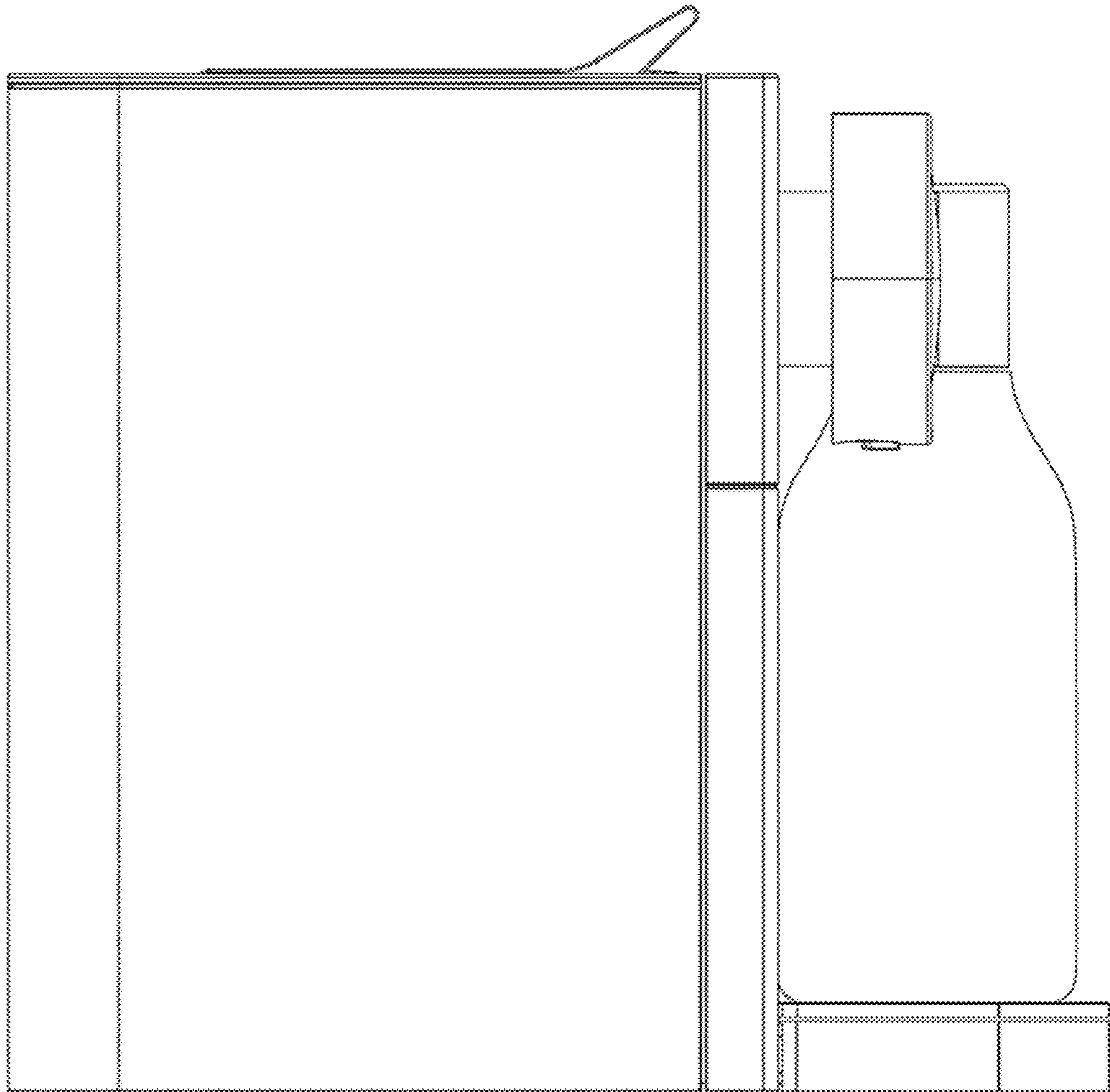




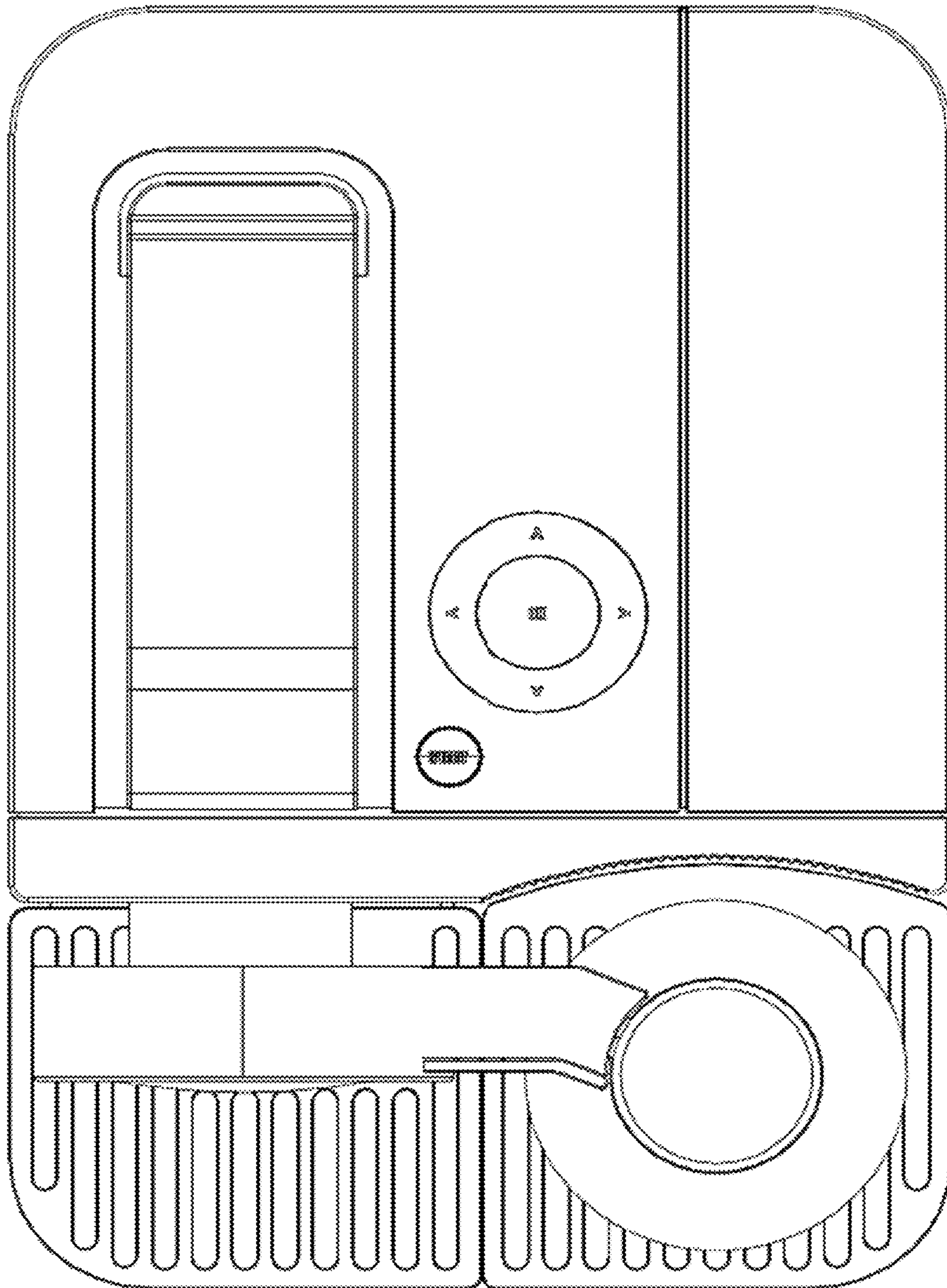
***Fig. 1***



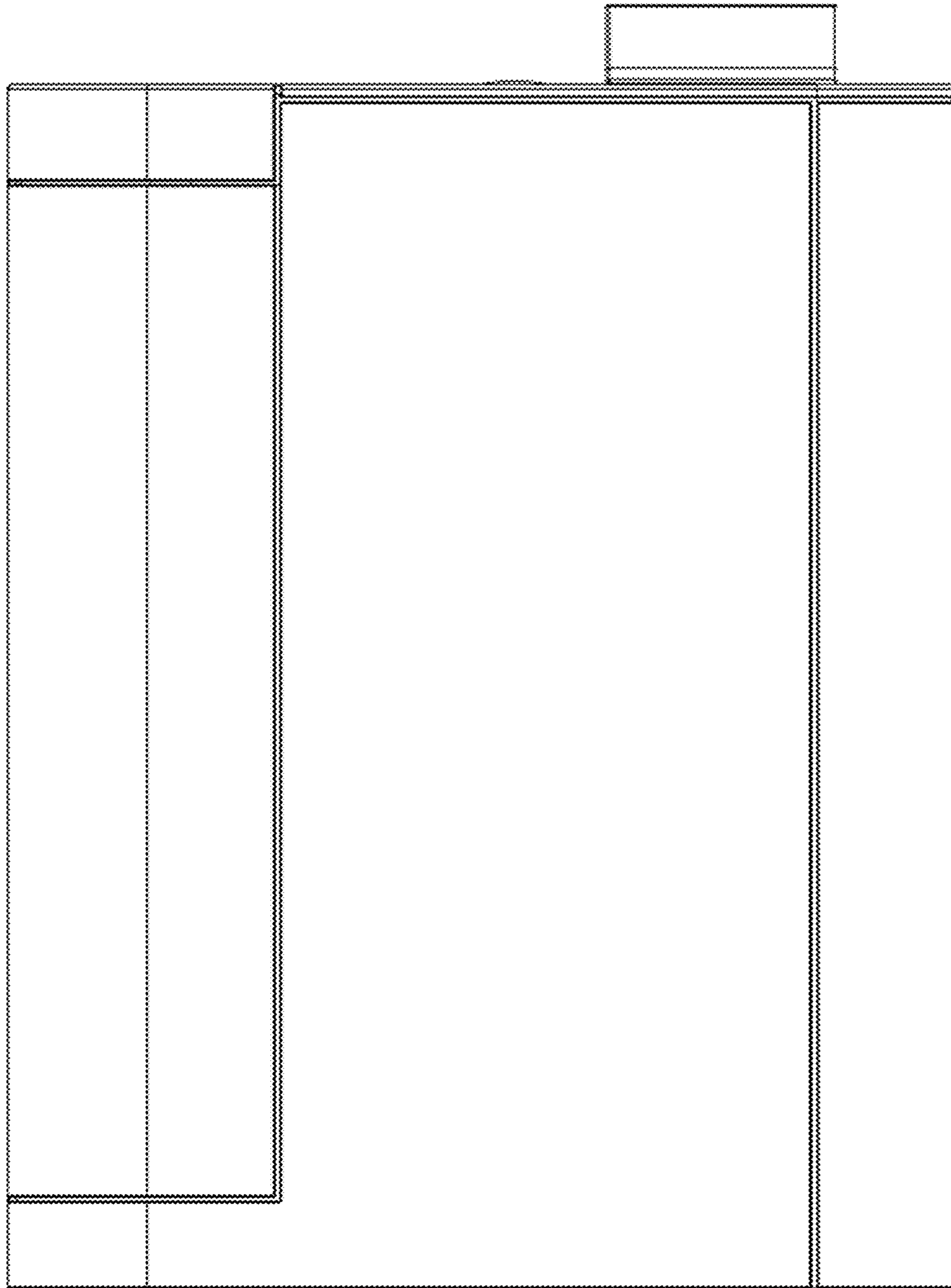
*Fig. 2*



**Fig. 3**



***Fig. 4***



**Fig. 5**