



US00D815868S

(12) **United States Design Patent** (10) **Patent No.:** **US D815,868 S**  
**Romero et al.** (45) **Date of Patent:** **\*\* Apr. 24, 2018**

(54) **OFFICE CHAIR**

(71) Applicant: **Office Master Inc.**, Ontario, CA (US)

(72) Inventors: **Francisco Romero**, Los Angeles, CA (US); **Nadine Romero**, Los Angeles, CA (US)

(73) Assignee: **Office Master Inc.**, Ontario, CA (US)

(\*\*) Term: **15 Years**

(21) Appl. No.: **29/553,471**

(22) Filed: **Feb. 2, 2016**

(51) **LOC (11) Cl.** ..... **06-01**

(52) **U.S. Cl.**  
USPC ..... **D6/716; D6/366**

(58) **Field of Classification Search**  
USPC ..... D6/334-336, 364, 365, 366, 367, 374, D6/379, 380, 716, 716.1, 716.2, 716.3, D6/716.4  
CPC .. A47C 7/004; A47C 7/38; A47C 7/40; A47C 7/022; A47C 7/18; A47C 7/24; A47C 4/028; A47C 7/44  
See application file for complete search history.

(56) **References Cited**

**U.S. PATENT DOCUMENTS**

5,174,526	A	12/1992	Kanigowski	
6,260,921	B1	7/2001	Chu et al.	
6,309,018	B1	10/2001	Jernstrom	
D456,159	S *	4/2002	Ball	D6/366
D456,650	S *	5/2002	Ball	D6/366
D457,023	S *	5/2002	Ball	D6/366
D471,042	S *	3/2003	Schmitz	D6/366
6,616,228	B2	9/2003	Heidmann	
6,755,467	B1	6/2004	Chu	
6,805,405	B2	10/2004	Koo	

7,216,933	B2	5/2007	Schmidt et al.	
D544,720	S *	6/2007	Berbegal Perez	D6/366
D575,085	S *	8/2008	Su	D6/366
D581,708	S *	12/2008	Su	D6/366
D600,931	S *	9/2009	Pearson	D6/366
D603,196	S *	11/2009	Su	D6/366
D627,983	S *	11/2010	Wakasugi	D6/366
8,162,399	B2	4/2012	Demontis et al.	
8,235,467	B2	8/2012	Akutsu	
8,251,448	B2	8/2012	Machael et al.	
D676,254	S *	2/2013	Chen	D6/366
8,668,266	B2	3/2014	Jaranson et al.	
9,332,851	B2 *	5/2016	Machael	A47C 7/44
2013/0154314	A1	6/2013	Romero	
2015/0108809	A1	4/2015	Romero	

\* cited by examiner

*Primary Examiner* — Mimoso De

(74) *Attorney, Agent, or Firm* — Andrus Intellectual Property Law, LLP

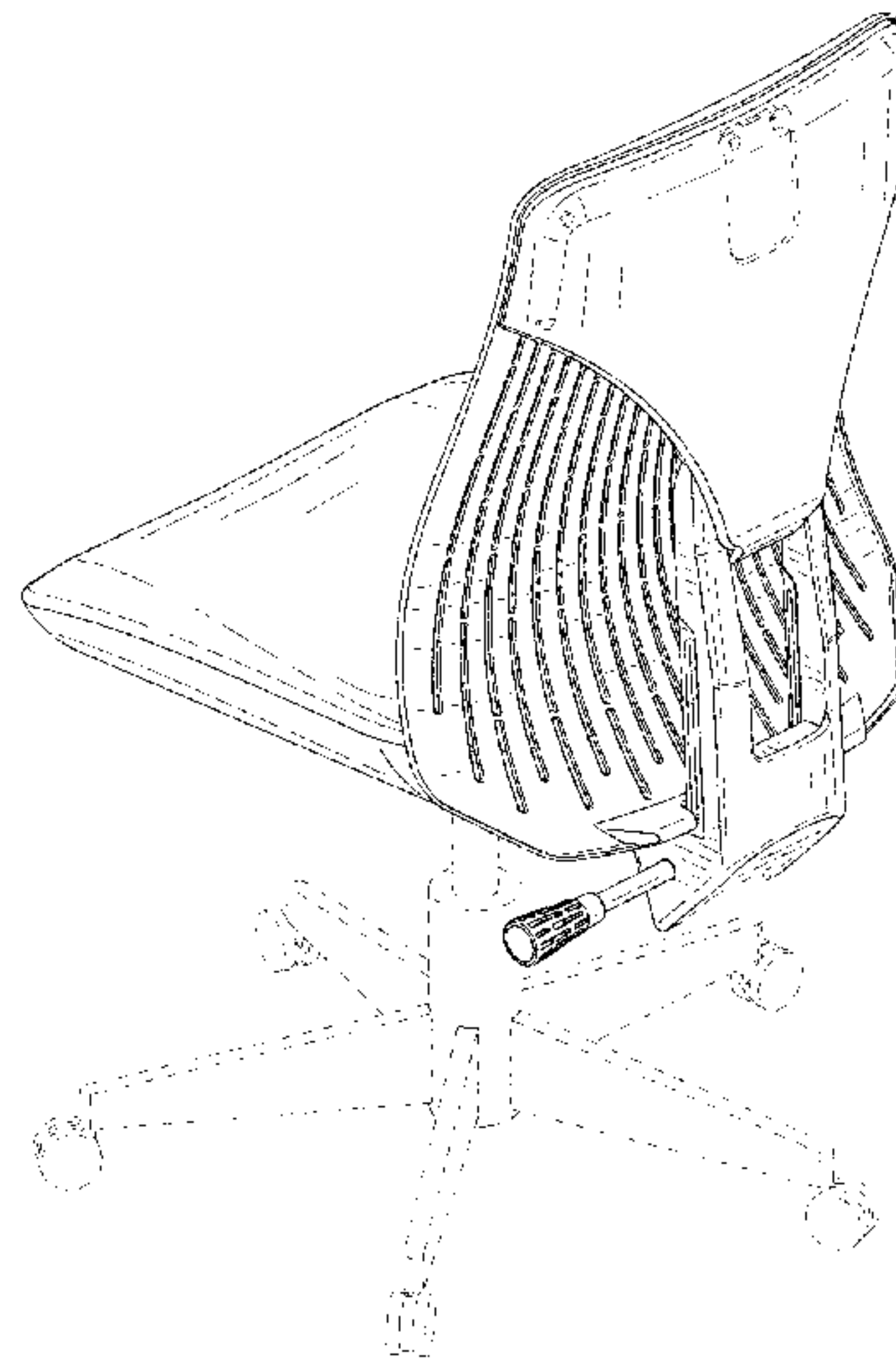
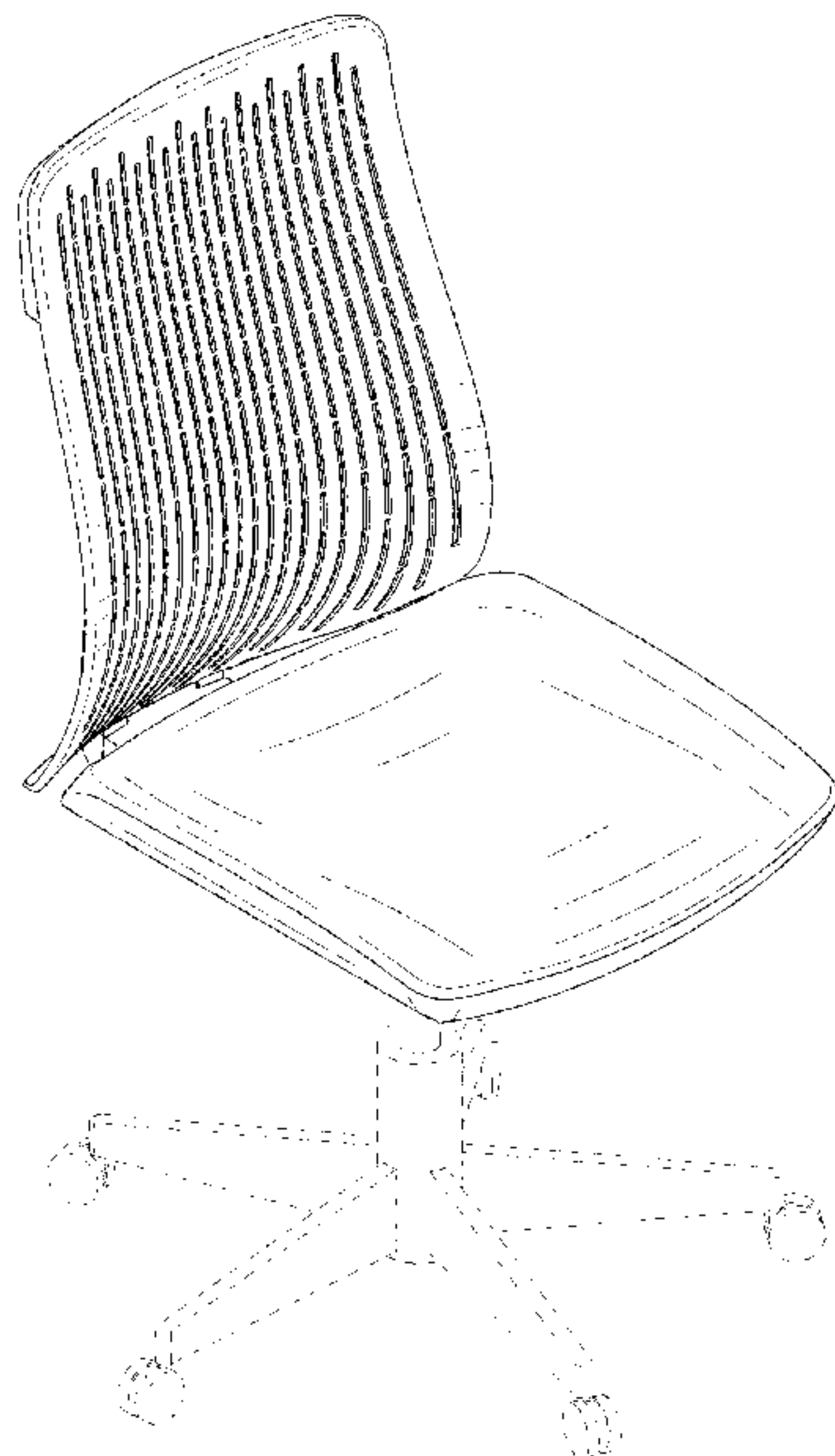
(57) **CLAIM**

The ornamental design for an office chair, as shown and described.

**DESCRIPTION**

FIG. 1 is a front isometric view of an office chair;  
 FIG. 2 is a rear isometric view thereof;  
 FIG. 3 is a front elevation view thereof;  
 FIG. 4 is a rear elevation view thereof;  
 FIG. 5 is a left side elevation view thereof;  
 FIG. 6 is a right side elevation view thereof;  
 FIG. 7 is a top plan view thereof; and,  
 FIG. 8 is a bottom plan view thereof.  
 The broken lines in the drawing views are included for purposes of illustrating environment and form no part of the claimed design.

**1 Claim, 7 Drawing Sheets**



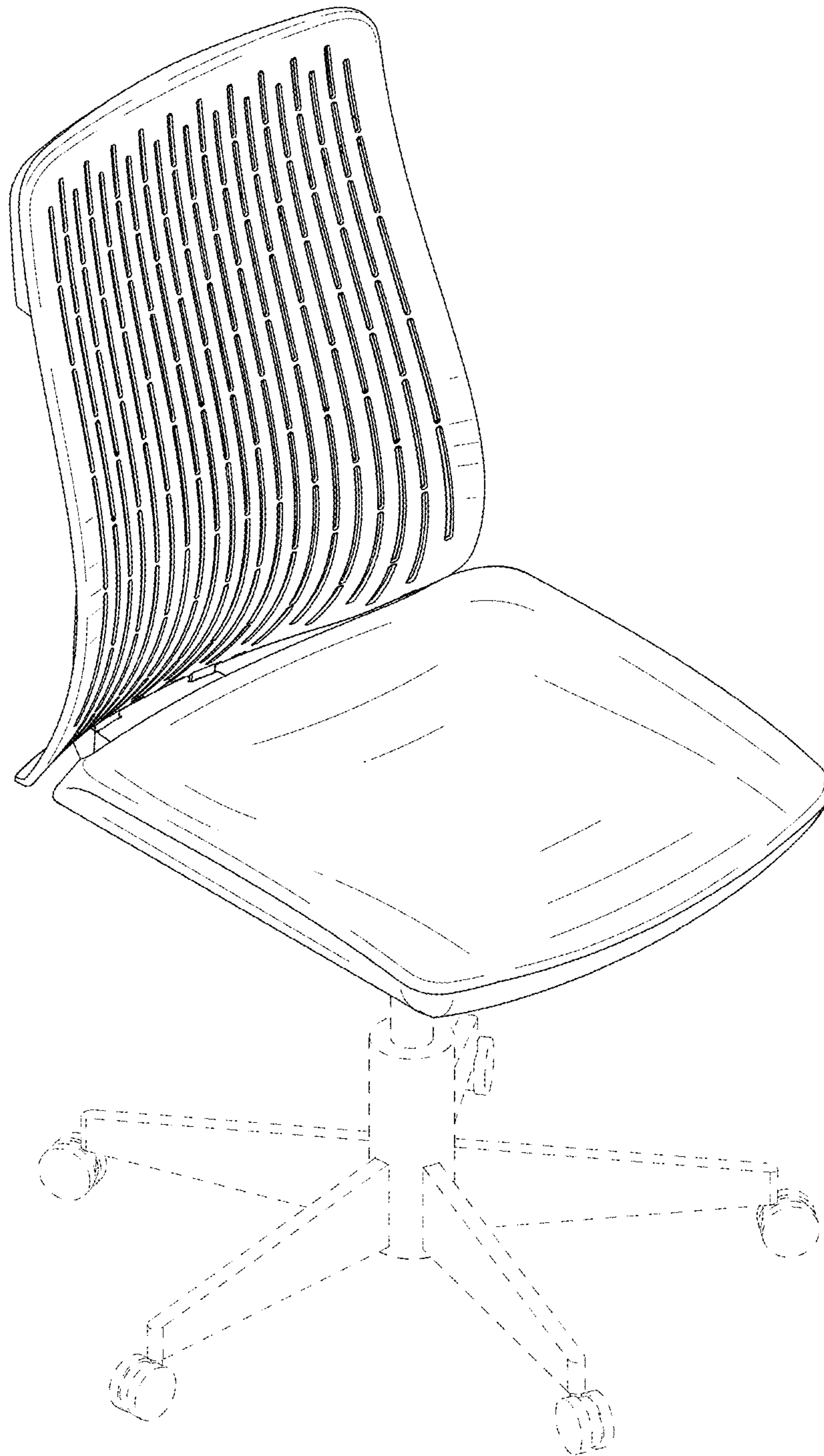


FIG. 1

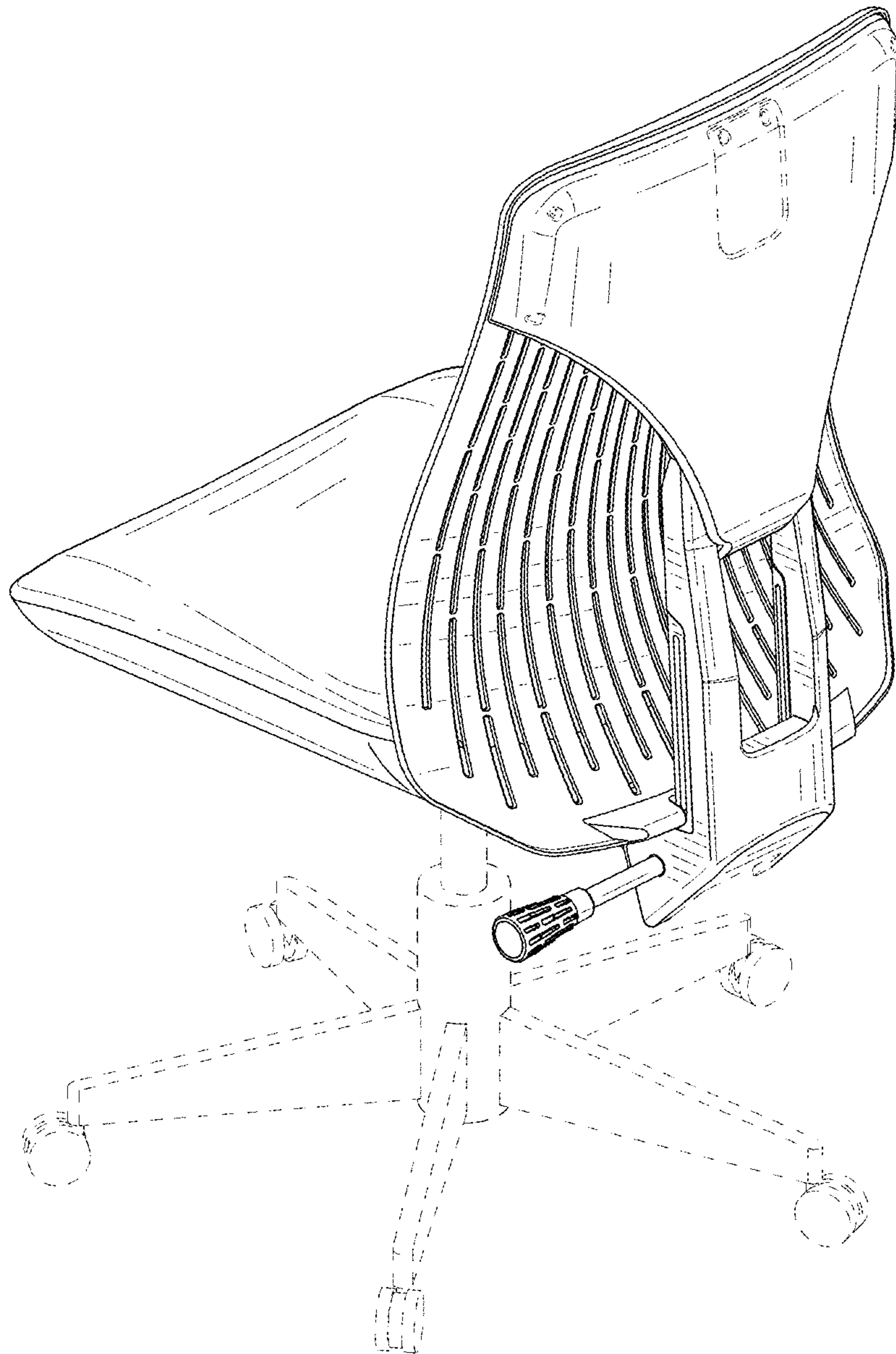


FIG. 2



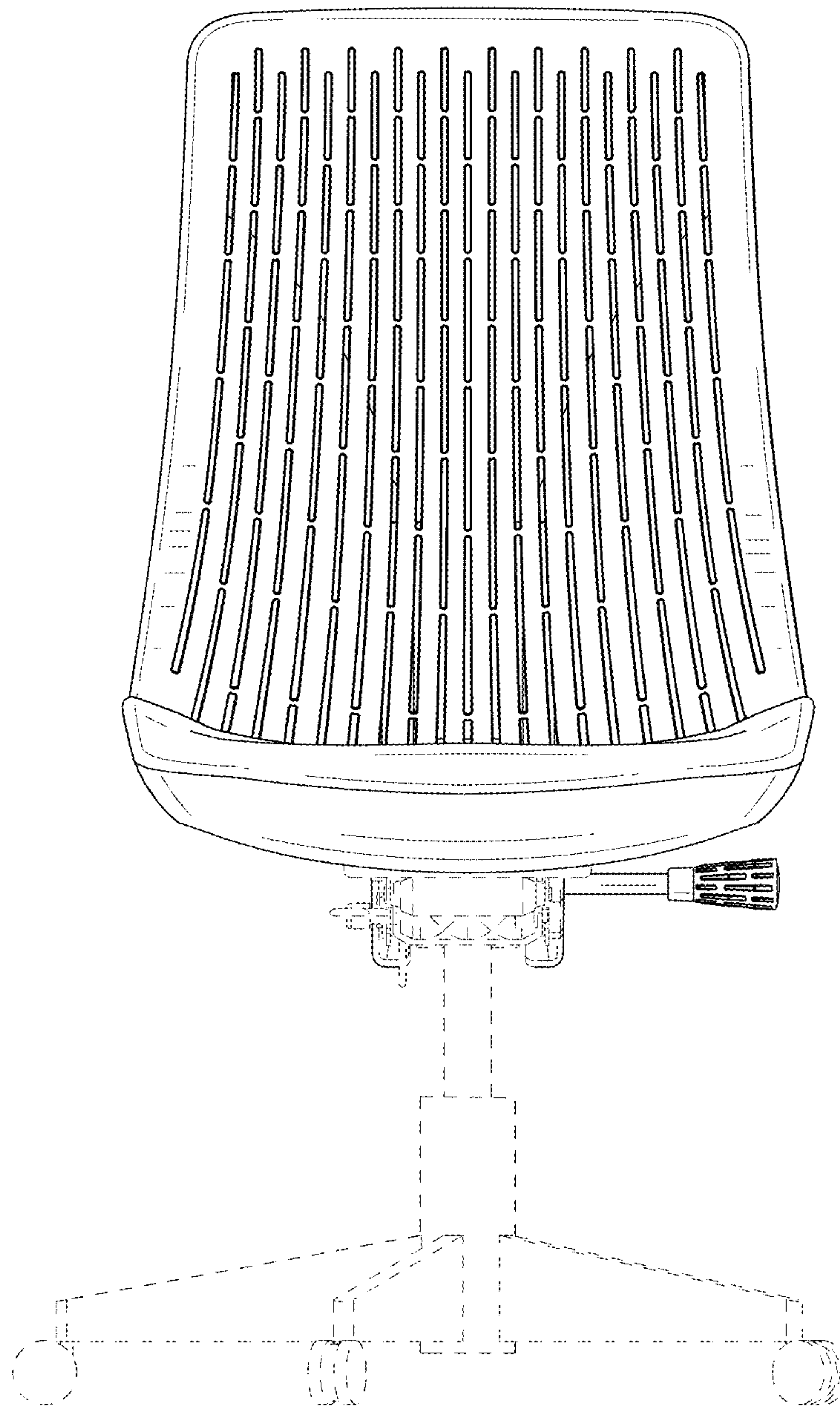


FIG. 3

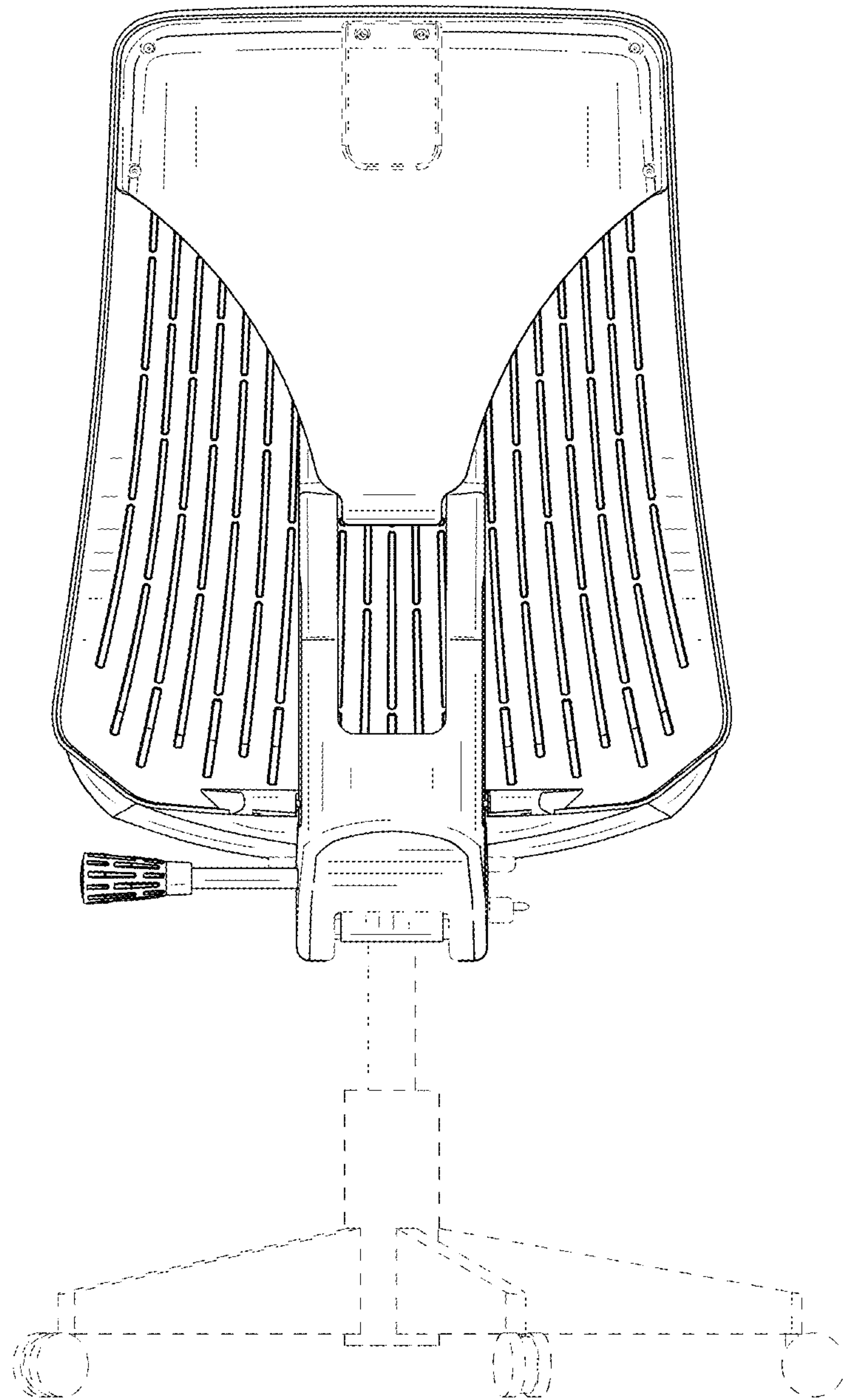


FIG. 4

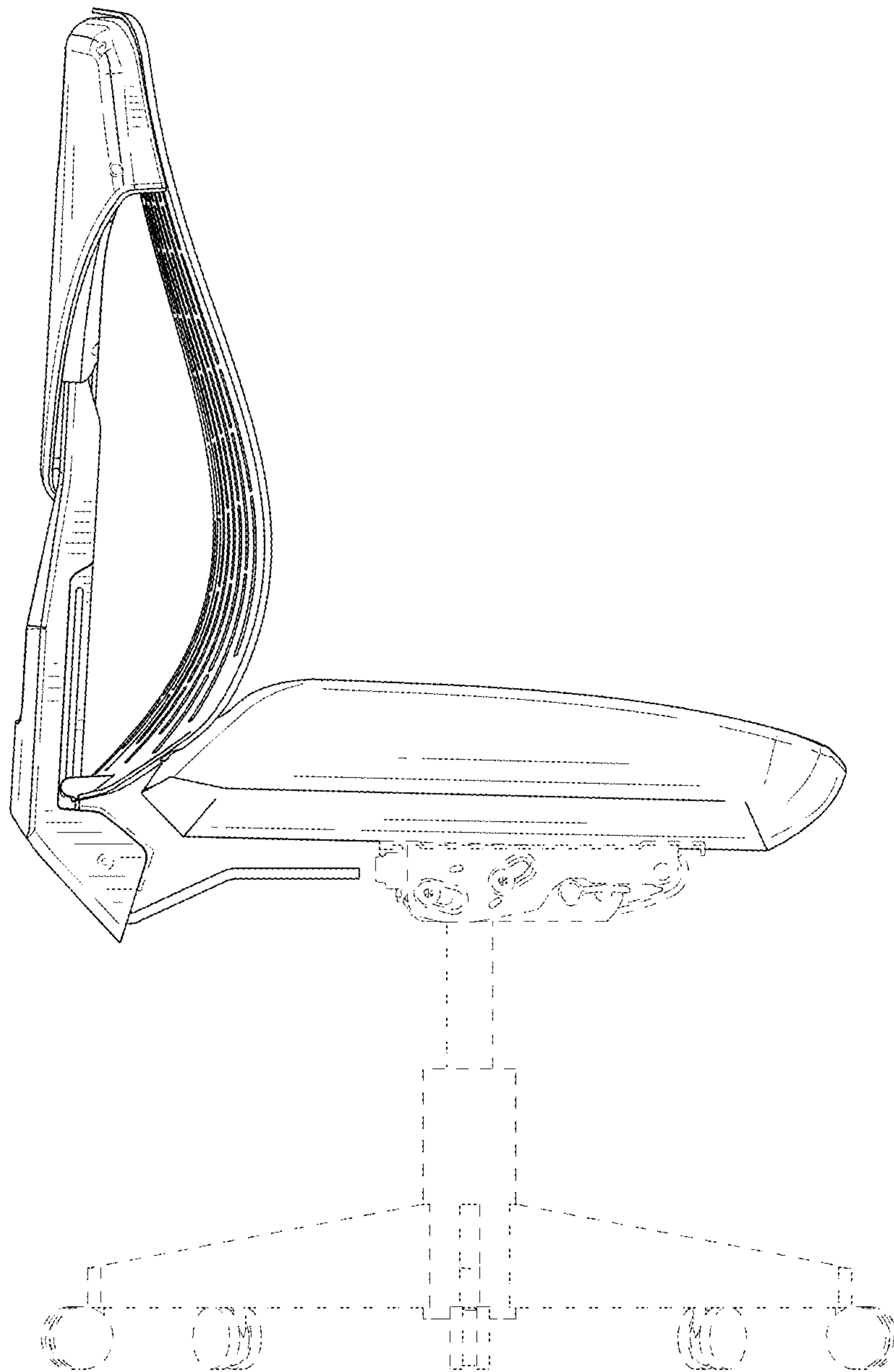


FIG. 5

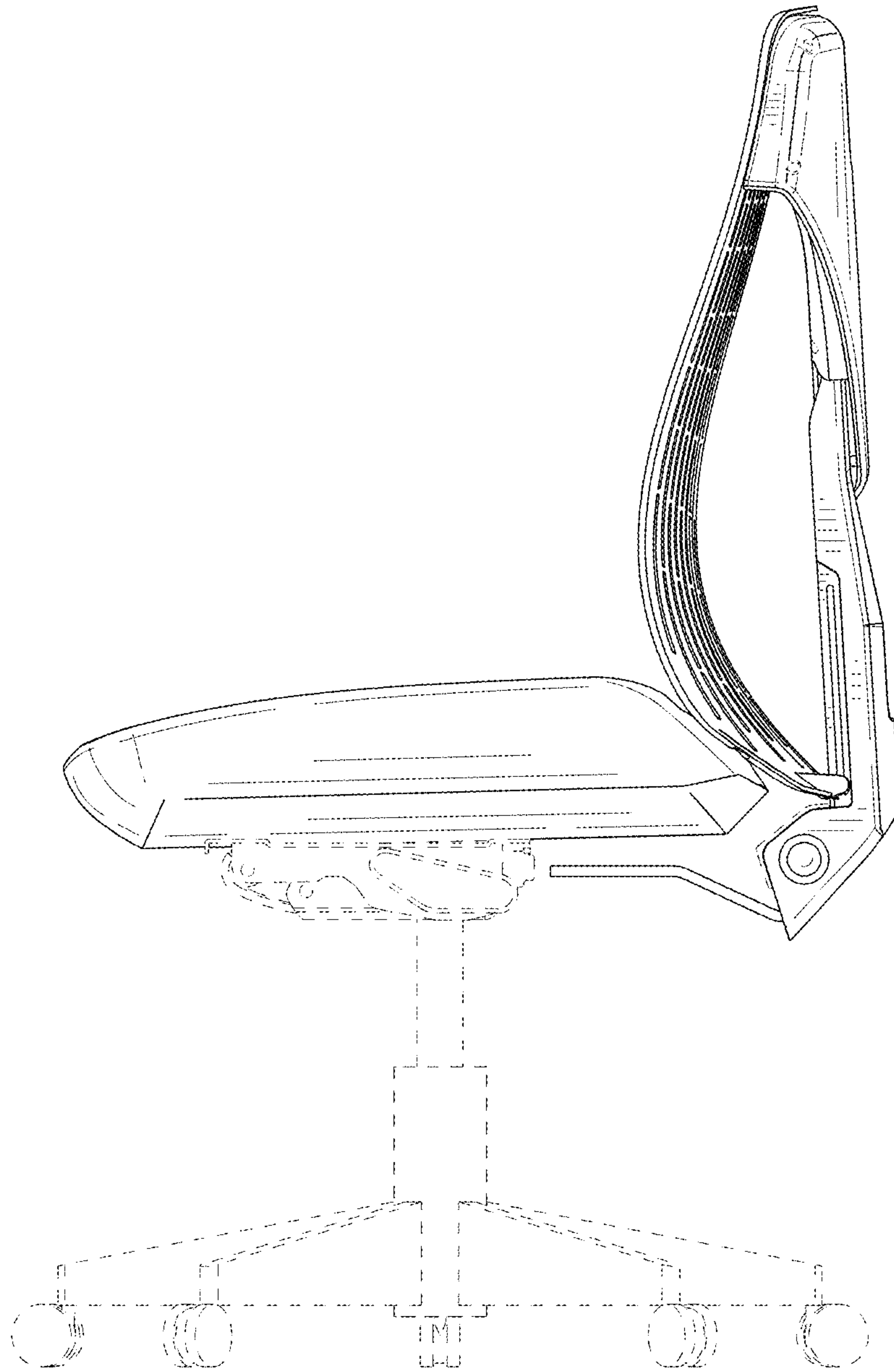


FIG. 6

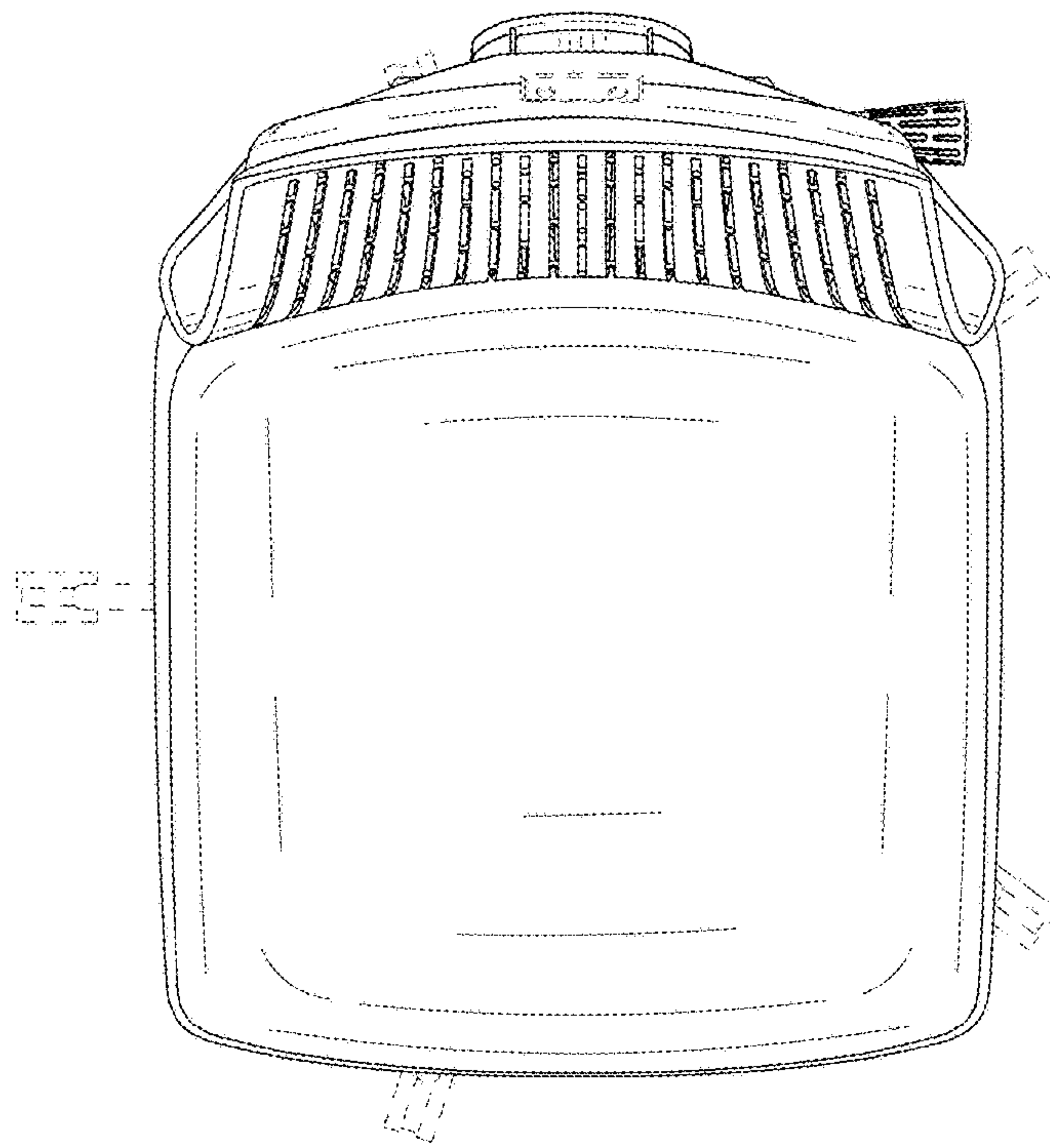


FIG. 7

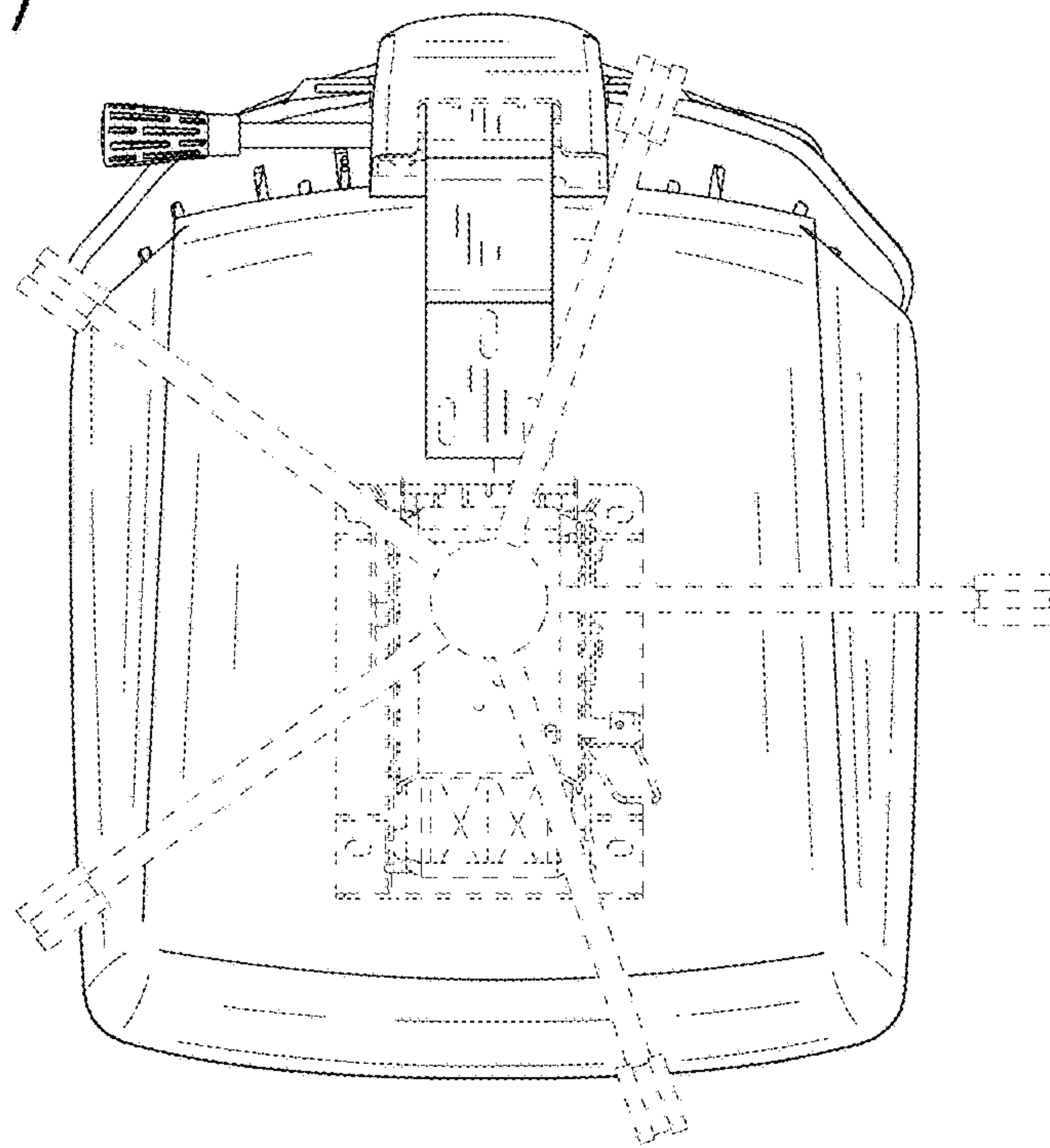


FIG. 8