



US00D815867S

(12) **United States Design Patent**  
**Herring et al.**

(10) **Patent No.:** **US D815,867 S**

(45) **Date of Patent:** **\*\* Apr. 24, 2018**

(54) **FOUR LEGGED HEIGHT ADJUSTABLE  
DESK**

(71) Applicant: **Next Technologies, Inc.**, Georgetown,  
TX (US)

(72) Inventors: **Jason Brian Herring**, Georgetown, TX  
(US); **Shane Michael Gilbreath**,  
Georgetown, TX (US)

(\*\*) Term: **14 Years**

(21) Appl. No.: **29/488,976**

(22) Filed: **Apr. 25, 2014**

(51) **LOC (11) Cl.** ..... **06-06**

(52) **U.S. Cl.**  
USPC ..... **D6/709**

(58) **Field of Classification Search**  
USPC ..... D6/641, 648.1, 653.11, 653.14, 653.18,  
D6/653.21, 654.11, 564.14, 708-712  
CPC .... A47B 1/00; A47B 1/08; A47B 1/10; A47B  
9/00; A47B 9/08; A47B 9/20; A47B 9/18;  
A47B 87/002; A47B 7/00; A47B  
2021/11; A47B 13/00; A47B 13/02; A47B  
13/04; A47B 91/00; A47B 2200/002;  
A47B 2200/0031

See application file for complete search history.

(56) **References Cited**

**U.S. PATENT DOCUMENTS**

3,117,392	A *	1/1964	Junkunc	.....	A47B 91/16 108/147.19
D254,586	S *	4/1980	Koves	.....	D6/708
D274,873	S *	7/1984	Cope	.....	D34/22
D277,717	S *	2/1985	Petrick	.....	D18/59
D315,261	S *	3/1991	Ng	.....	D34/20
D324,615	S *	3/1992	Diffrient	.....	D6/709
D330,302	S *	10/1992	Heidmann	.....	D6/709
D332,887	S *	2/1993	Fjello-Jensen	.....	D6/708

5,323,695	A *	6/1994	Borgman	.....	A47B 9/00 108/147
D394,766	S *	6/1998	Brandt	.....	D6/656.13
D404,592	S *	1/1999	Cheng	.....	D6/709
D407,924	S *	4/1999	Cheng	.....	D6/709
D407,925	S *	4/1999	Cheng	.....	D6/709
D409,021	S *	5/1999	Cheng	.....	D6/709
D422,812	S *	4/2000	Thompson	.....	D6/708
D468,139	S *	1/2003	Strong	.....	D6/709.2
D529,734	S *	10/2006	Astle	.....	D6/709.21
D560,084	S *	1/2008	Glass	.....	D6/656.17
D560,085	S *	1/2008	Glass	.....	D6/656.17
D563,697	S *	3/2008	Glass	.....	D6/656.16
D565,869	S *	4/2008	Williams	.....	D6/710

(Continued)

*Primary Examiner* — Cathron C Brooks

*Assistant Examiner* — Richard Kearney

(74) *Attorney, Agent, or Firm* — Kevin Keener; Keener  
and Associates P.C.

(57) **CLAIM**

The ornamental design for a four legged height adjustable  
desk, as shown and described.

**DESCRIPTION**

FIG. 1 is a top perspective view of our four legged height  
adjustable desk design with the legs extended for a standing  
position;

FIG. 2 is a bottom perspective view thereof;

FIG. 3 is a right side view, the left side being a mirror image  
thereof;

FIG. 4 is a back plan view thereof;

FIG. 5 is a front plan view thereof;

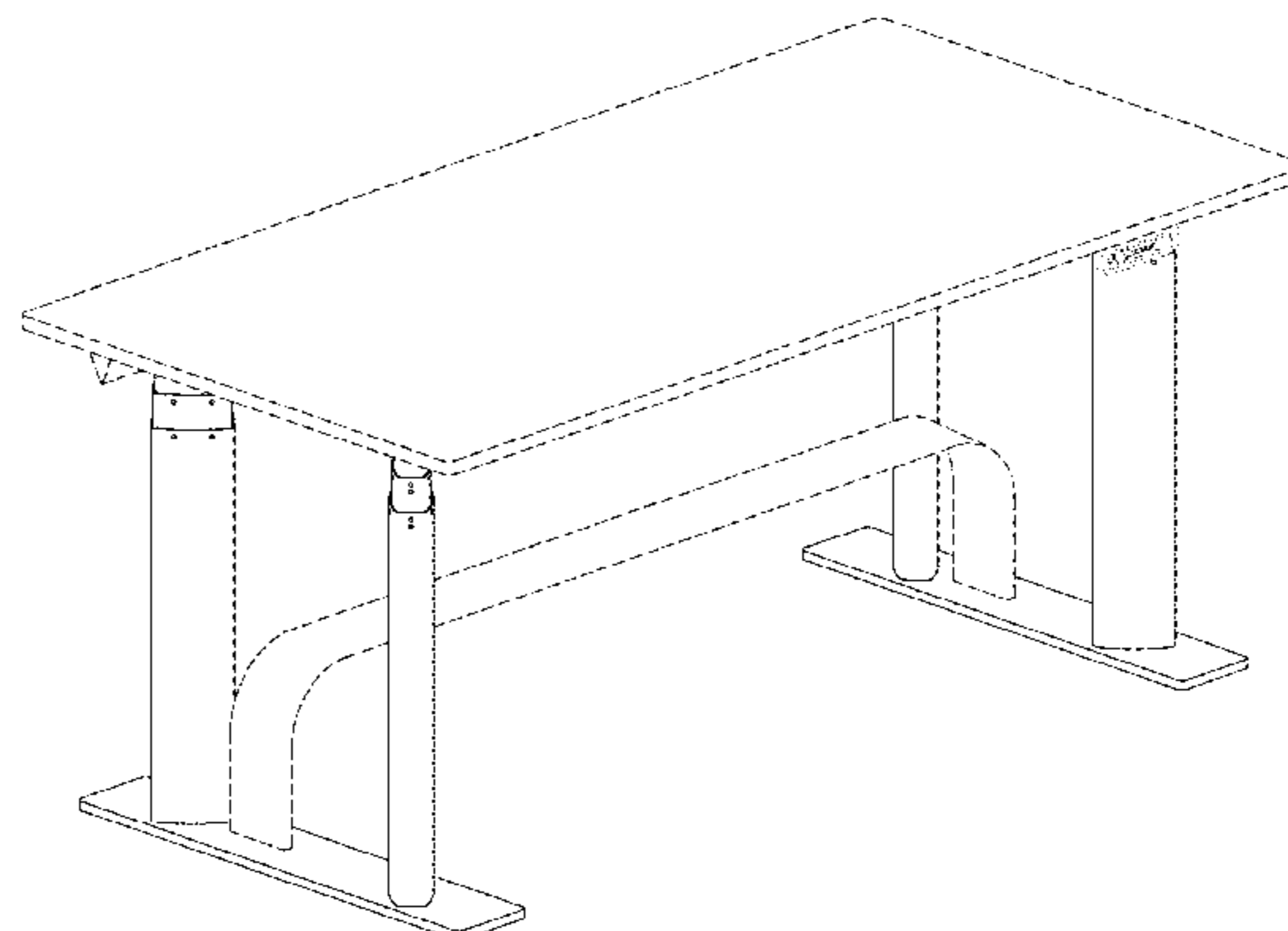
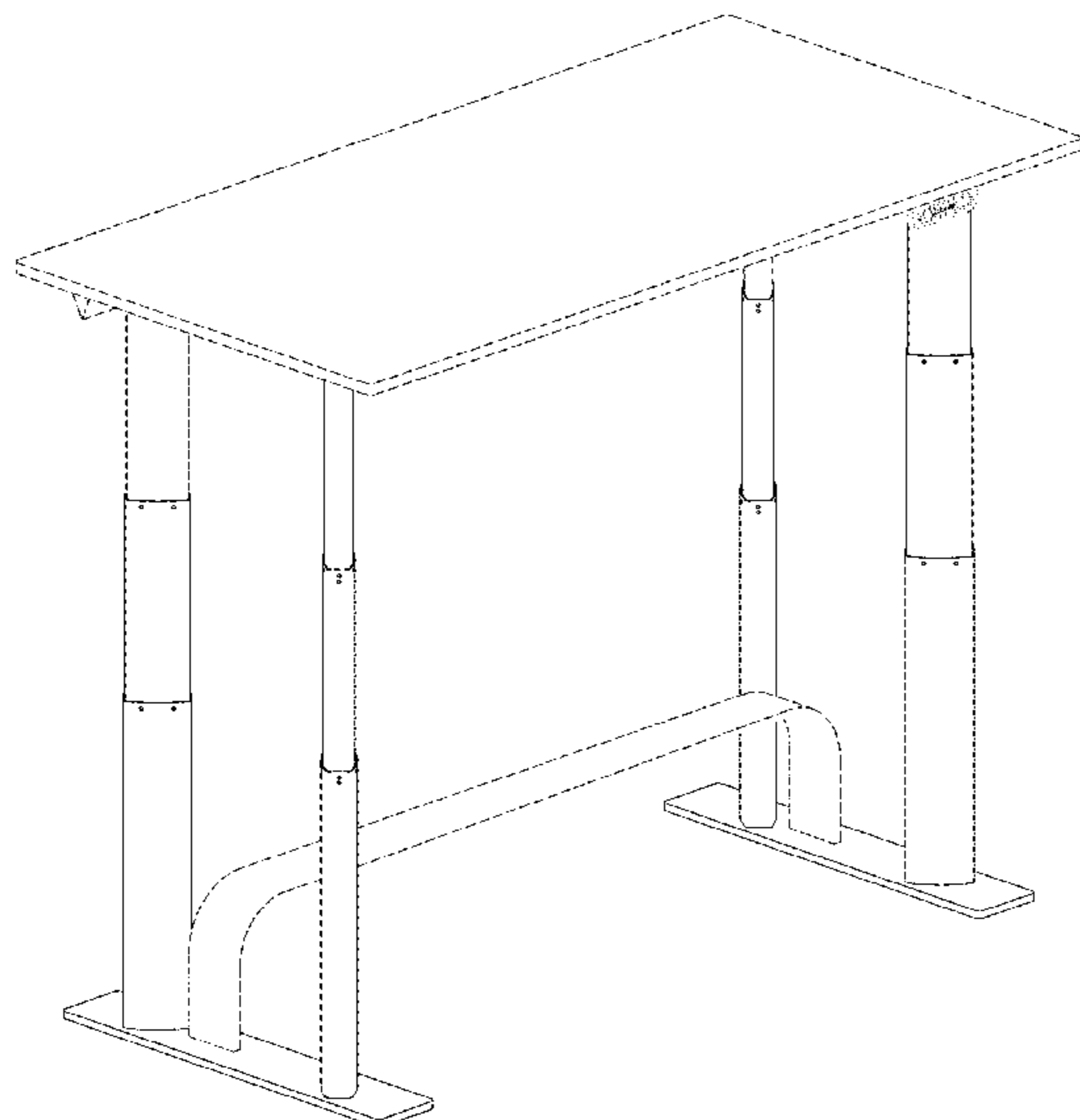
FIG. 6 is a top plan view thereof;

FIG. 7 is a bottom plan view thereof; and,

FIG. 8 is a top perspective view with the height adjustable  
desk legs fully retracted to a sitting position.

The broken lines in FIGS. 1-8 depict environmental subject  
matter only and form no part of the claimed design.

**1 Claim, 7 Drawing Sheets**



(56)

References Cited

U.S. PATENT DOCUMENTS

7,412,931 B2 \* 8/2008 Seidl ..... A47B 9/02  
 108/147  
 D578,324 S \* 10/2008 Glass ..... D6/708  
 D696,543 S \* 12/2013 Shyu ..... D6/709.21  
 D719,386 S \* 12/2014 Mueller ..... D6/709  
 D721,244 S \* 1/2015 Mueller ..... D6/709  
 D723,848 S \* 3/2015 Mueller ..... D6/709  
 D723,849 S \* 3/2015 Mueller ..... D6/709  
 9,038,549 B1 \* 5/2015 Zebarjad ..... A47B 9/02  
 108/147  
 9,236,817 B2 \* 1/2016 Strothmann ..... A47B 9/20  
 D795,619 S \* 8/2017 Labrosse ..... D6/709  
 2009/0178596 A1 \* 7/2009 Skiba ..... A47B 13/00  
 108/102  
 2014/0026788 A1 \* 1/2014 Kallio, III ..... A47B 13/081  
 108/6  
 2014/0096706 A1 \* 4/2014 Labrosse ..... A47B 21/02  
 108/21  
 2014/0158024 A1 \* 6/2014 Henriott ..... A47B 13/00  
 108/27  
 2015/0282605 A1 \* 10/2015 Wu ..... A47B 3/002  
 248/188.2  
 2016/0037907 A1 \* 2/2016 Ergun ..... A47B 9/12  
 108/147  
 2016/0073779 A1 \* 3/2016 Ringlein ..... A47B 87/002  
 108/28  
 2016/0345722 A1 \* 12/2016 Chen ..... A47B 9/04  
 2017/0071332 A1 \* 3/2017 Herring ..... A47B 21/02  
 2017/0251806 A1 \* 9/2017 Newman ..... A47B 21/02  
 2017/0340102 A1 \* 11/2017 Ergun ..... A47B 9/10  
 2018/0000240 A1 \* 1/2018 Yamamoto ..... A47B 9/20

\* cited by examiner

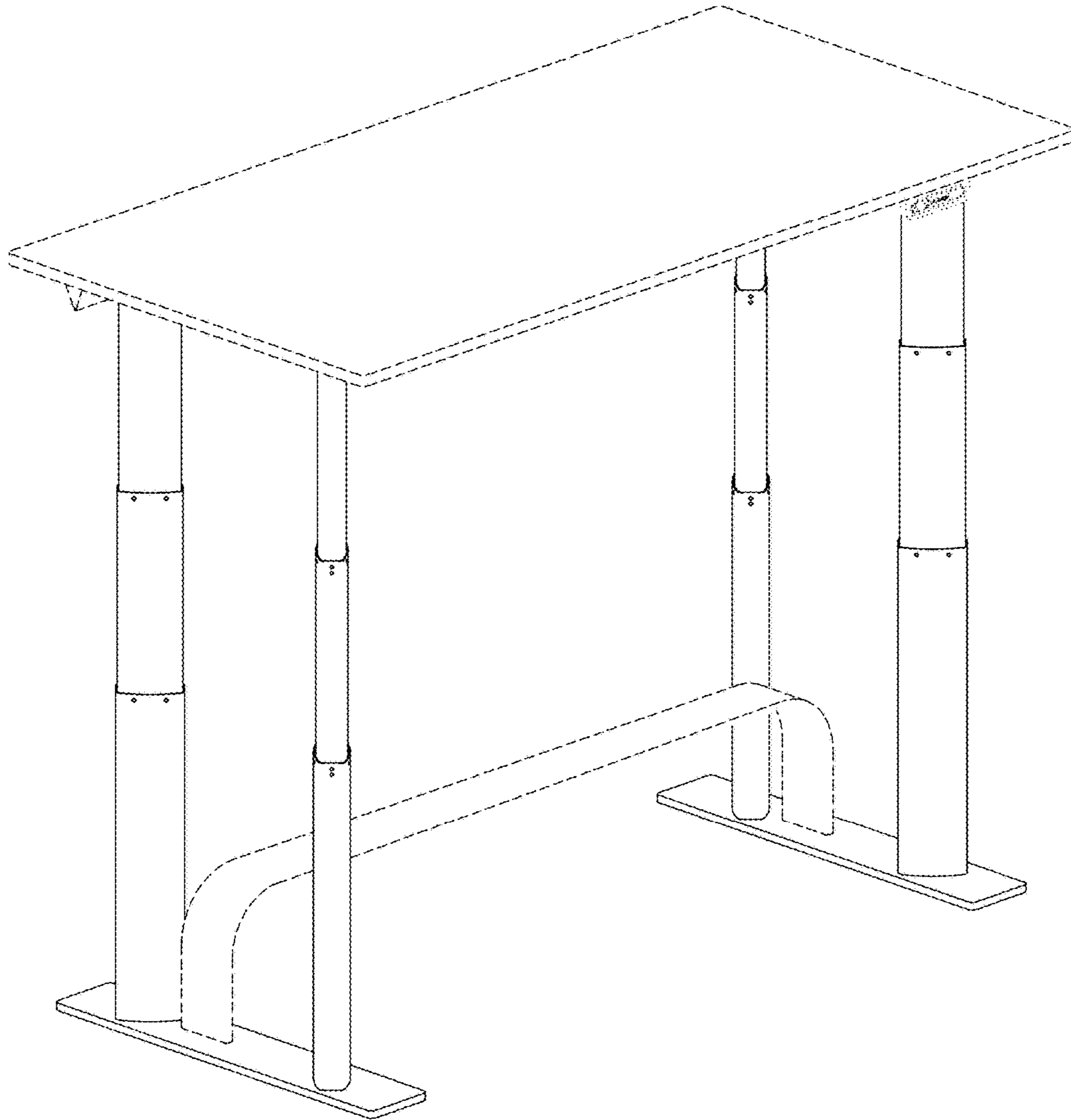


FIG. 1

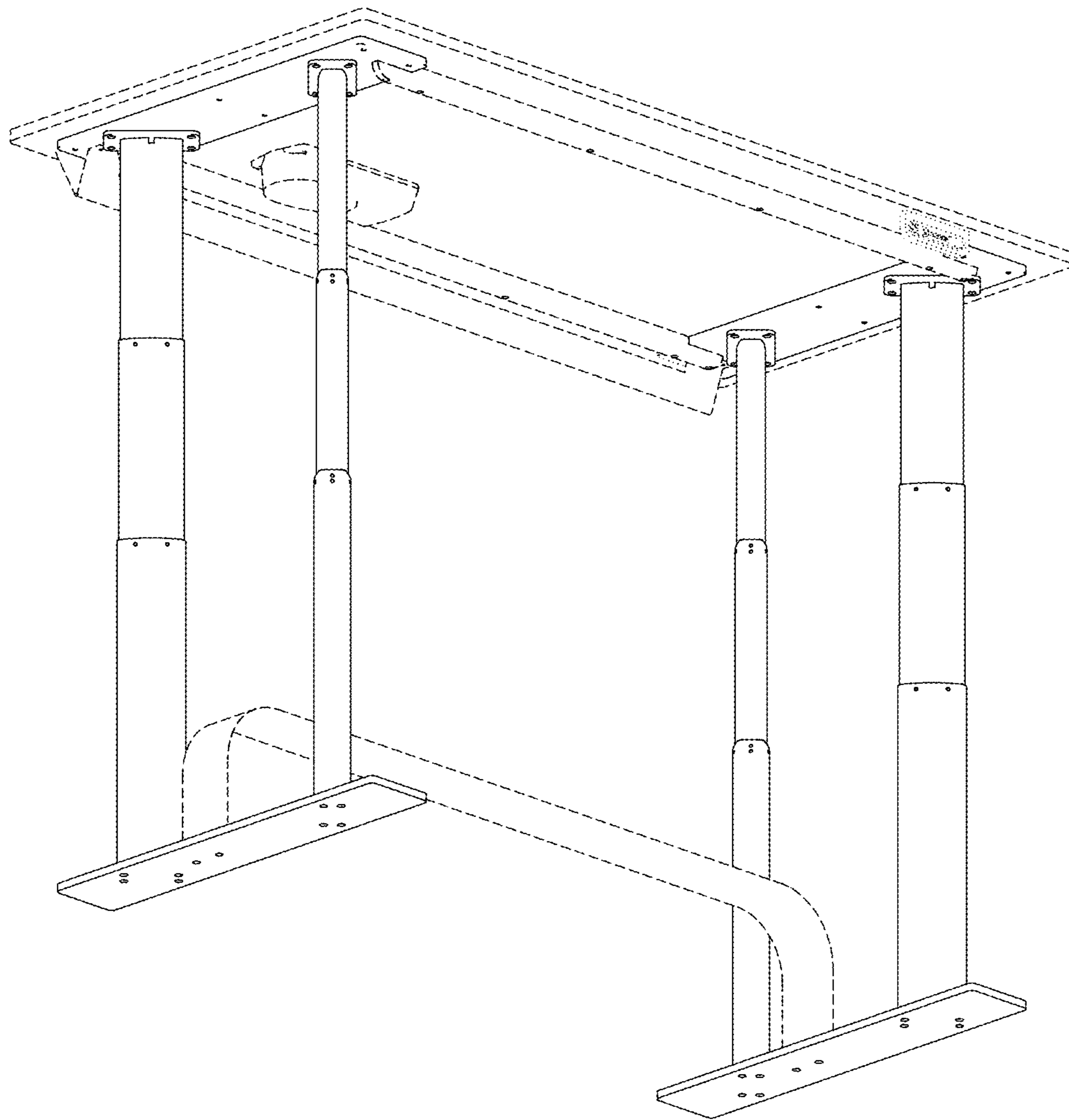


FIG. 2

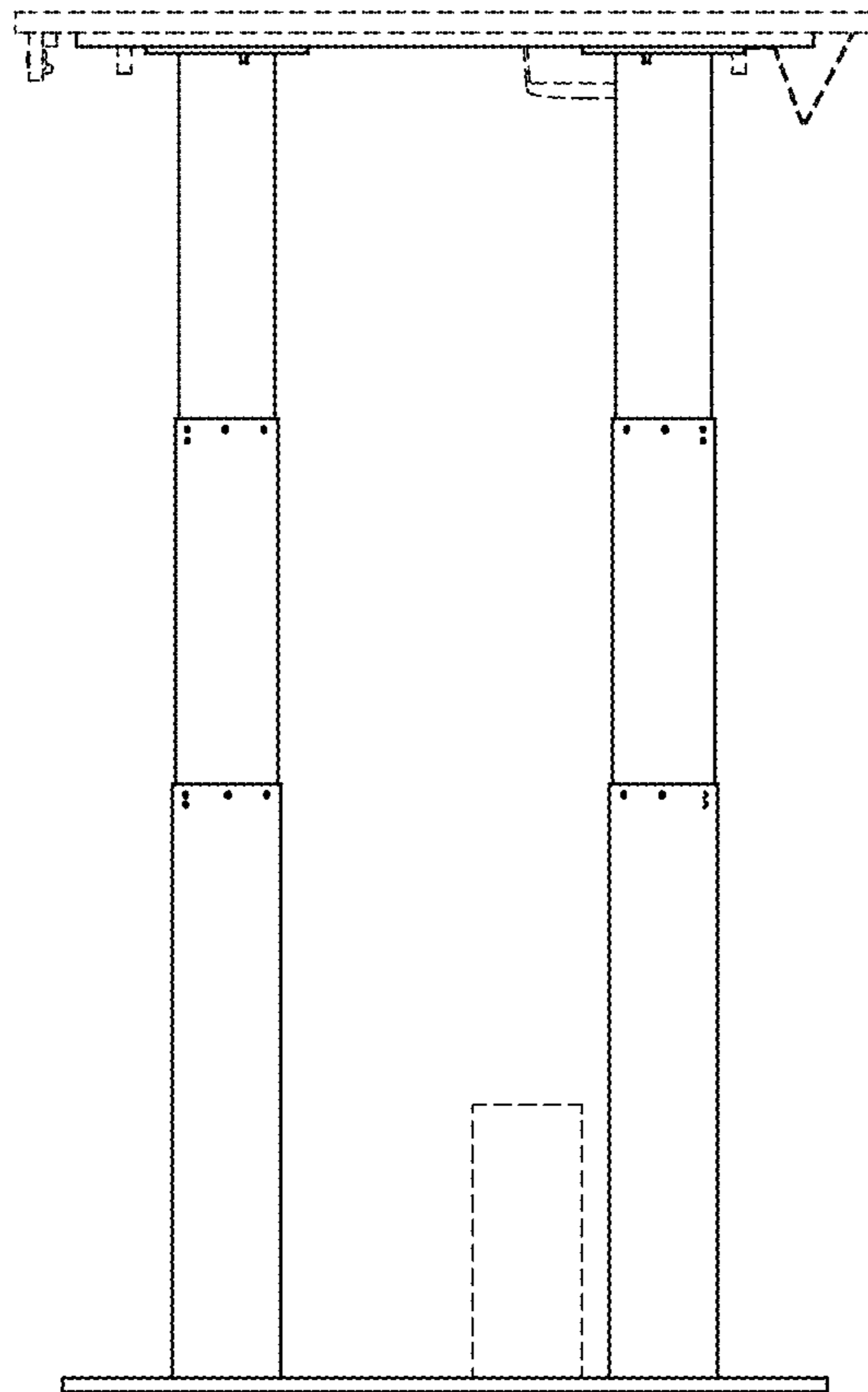


FIG. 3

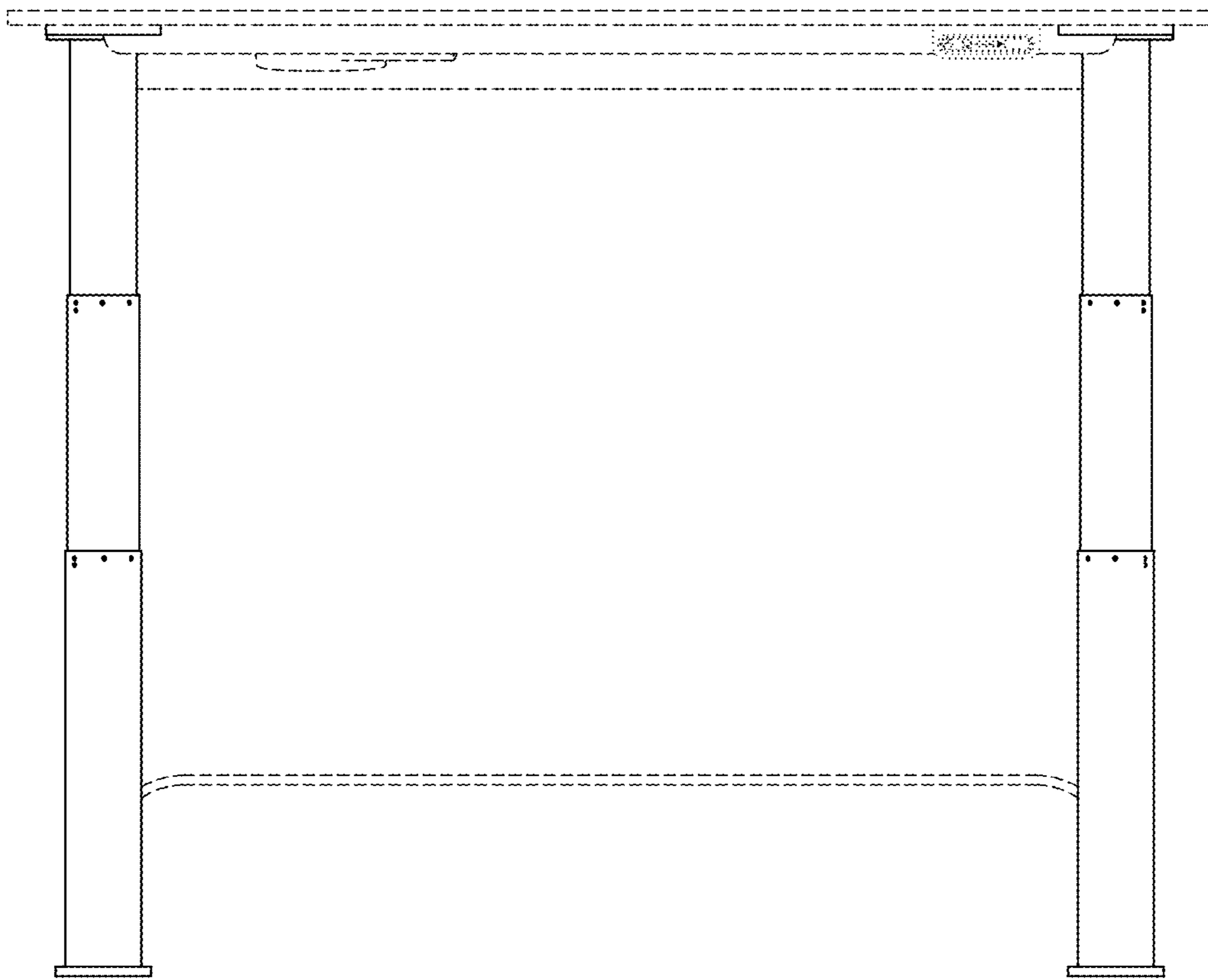


FIG. 4

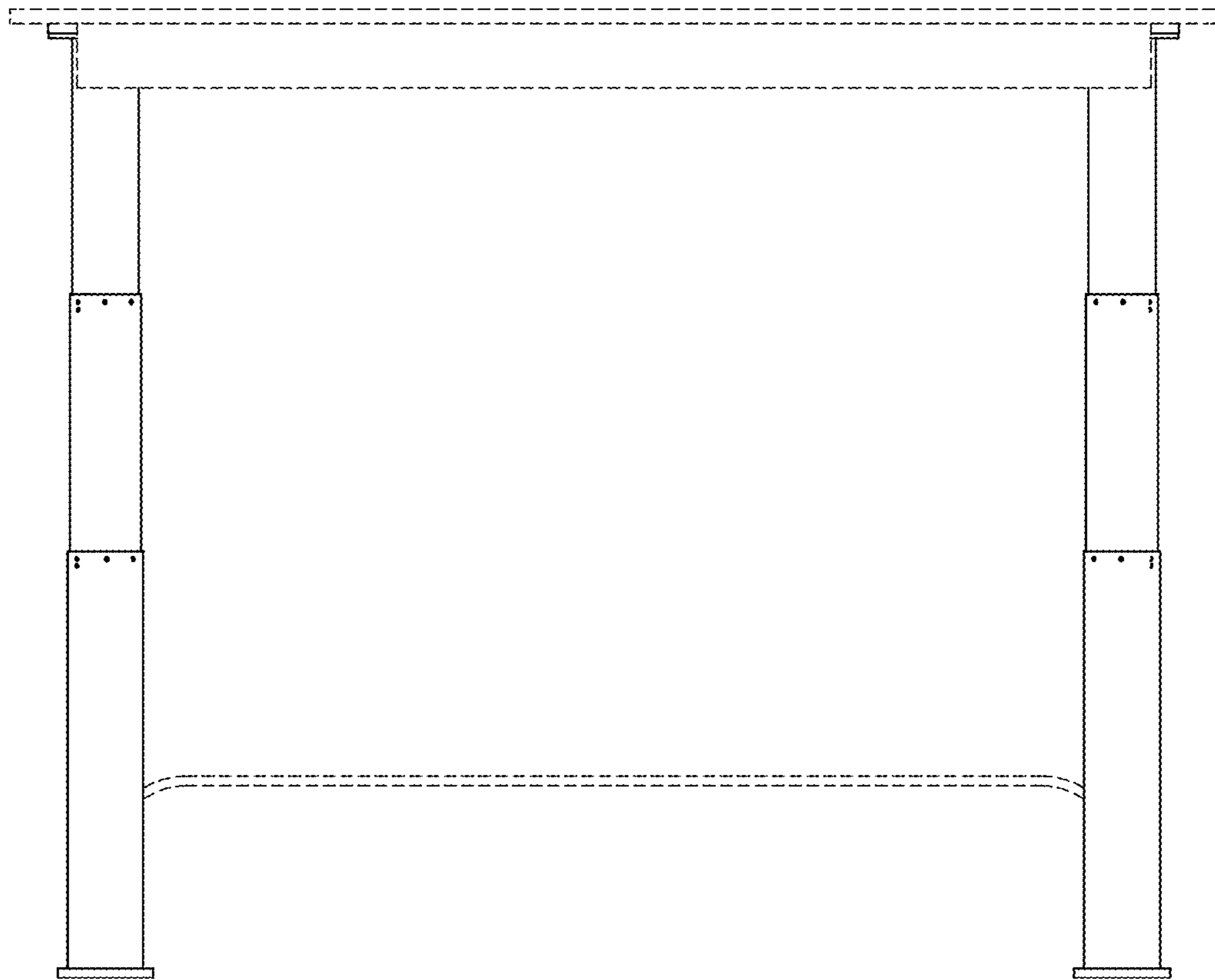


FIG. 5



FIG. 6

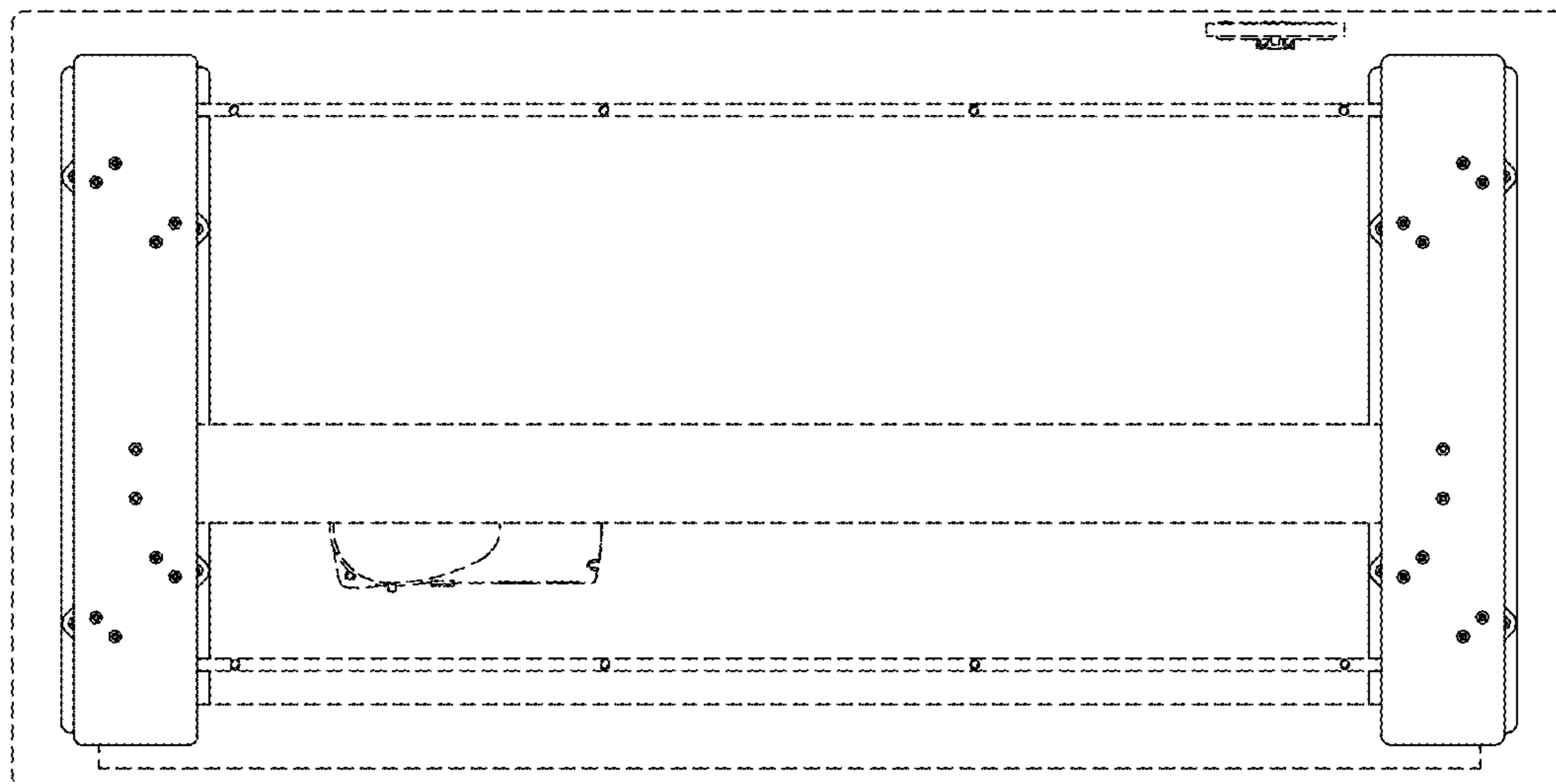


FIG. 7



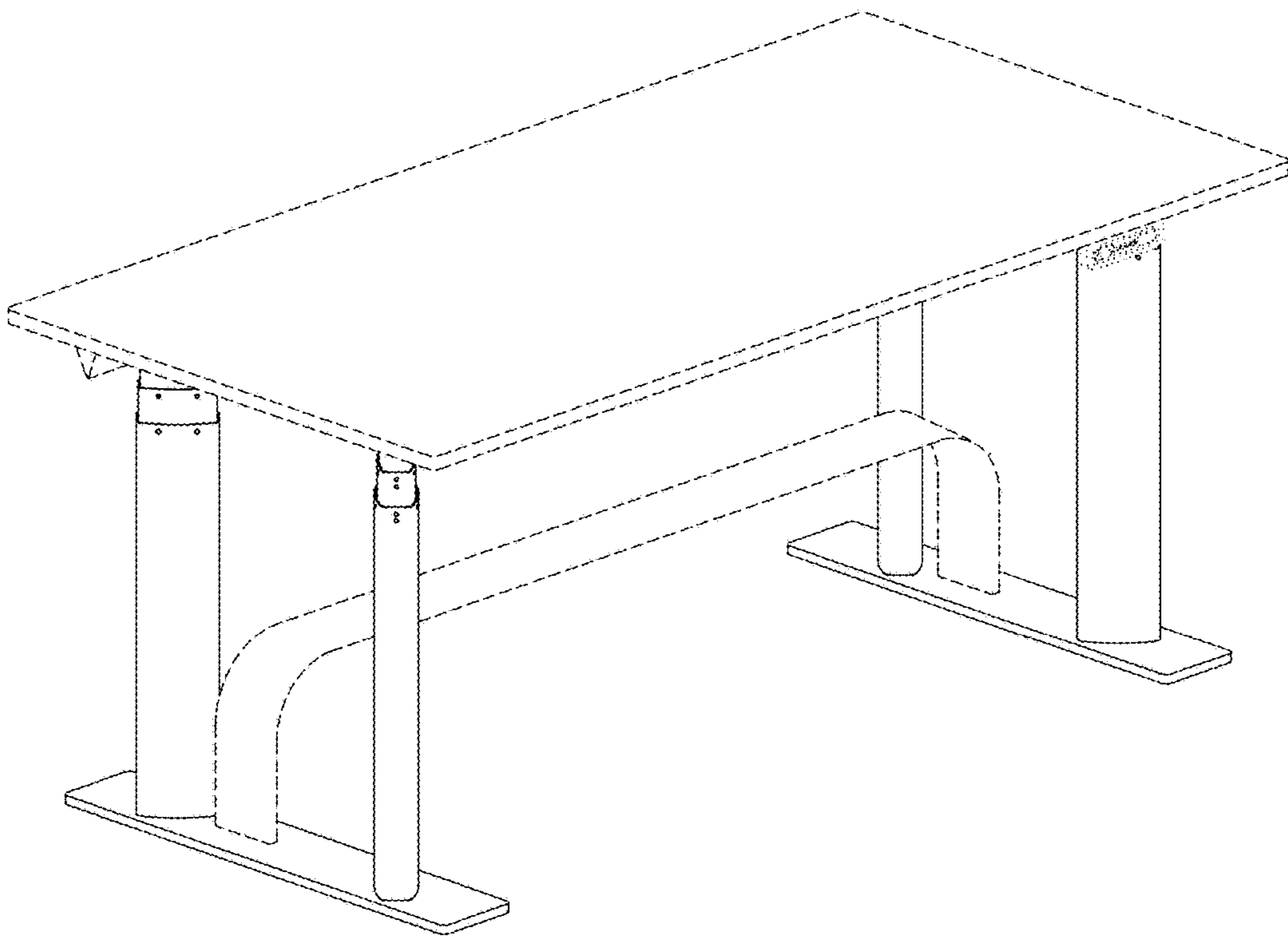


FIG. 8