



US00D815866S

(12) **United States Design Patent**
Gauggel

(10) **Patent No.:** **US D815,866 S**

(45) **Date of Patent:** **** Apr. 24, 2018**

(54) **DISPLAY STRUCTURE**

(71) Applicant: **Carl Zeiss Vision International GmbH, Aalen (DE)**

(72) Inventor: **Elmar Gauggel, Vaihingen an der Enz (DE)**

(73) Assignee: **Carl Zeiss Vision International GmbH, Aalen (DE)**

(**) Term: **15 Years**

(21) Appl. No.: **29/590,277**

(22) Filed: **Jan. 9, 2017**

(30) **Foreign Application Priority Data**

Jul. 7, 2016 (EM) 003299130

(51) **LOC (11) Cl.** **06-06**

(52) **U.S. Cl.**
USPC **D6/682.4**

(58) **Field of Classification Search**
USPC D6/672, 675, 675.1, 680, 680.2, 682, D6/682.1, 682.2, 682.4, 512, 702
CPC .. A47F 5/08; A47F 8/07; A47F 5/0018; A47F 5/0846
See application file for complete search history.

(56) **References Cited**

U.S. PATENT DOCUMENTS

4,653,209 A * 3/1987 Cobb G09F 7/02 40/568
4,977,698 A * 12/1990 Seggerson G09F 7/10 40/564
D397,562 S * 9/1998 DePottey D25/58
D399,010 S * 9/1998 Current D25/123

(Continued)

Primary Examiner — Kelley Donnelly

(74) *Attorney, Agent, or Firm* — Walter Ottesen, P.A.

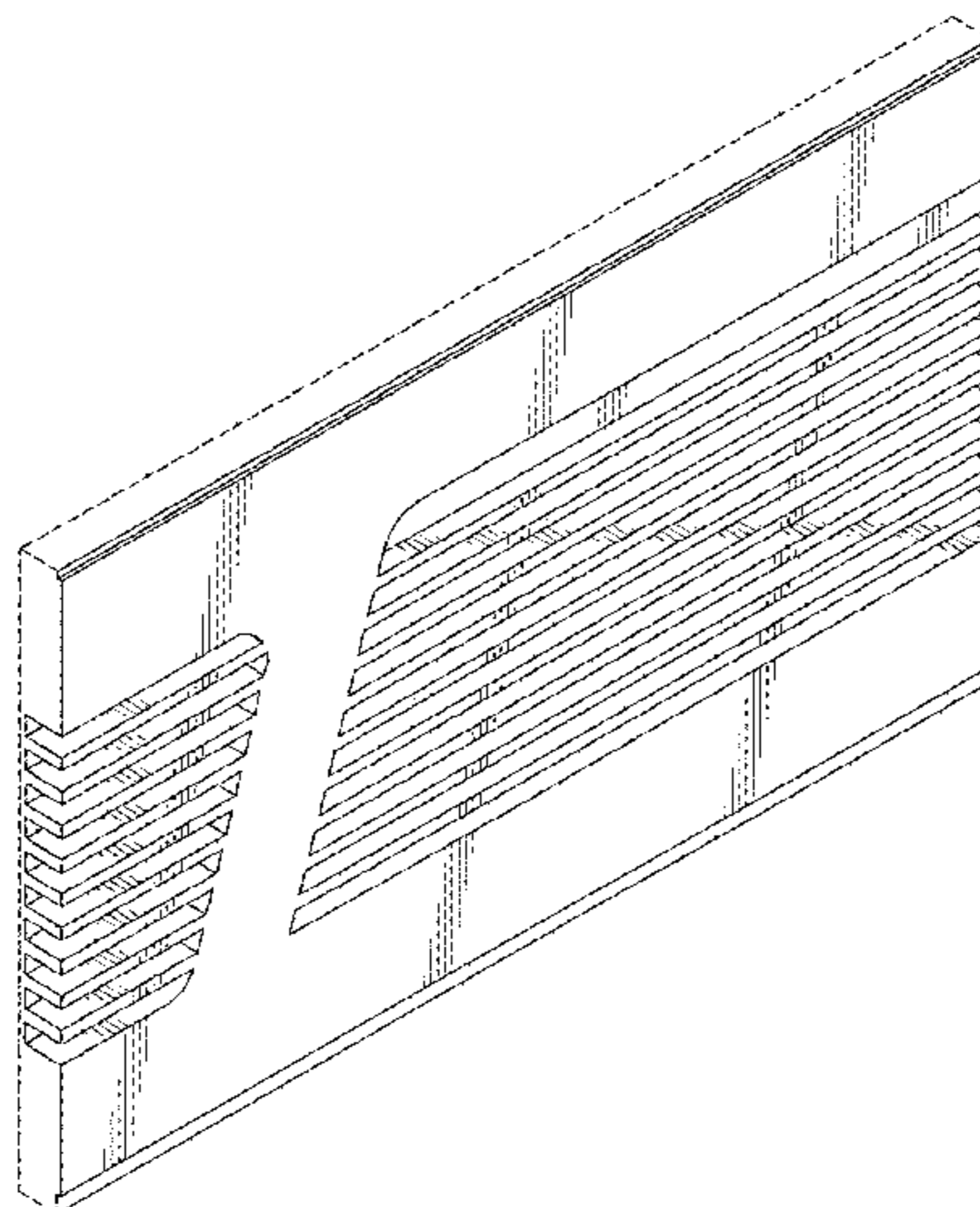
(57) **CLAIM**

The ornamental design for a display structure, as shown and described.

DESCRIPTION

FIG. 1 is a first perspective view of a first embodiment of the display structure of our new design;
FIG. 2 is a second perspective view of the display structure of FIG. 1;
FIG. 3 is a front elevation view of the display structure of FIG. 1;
FIG. 4 is a rear elevation view of the display structure of FIG. 1;
FIG. 5 is a top plan view of the display structure of FIG. 1;
FIG. 6 is a bottom plan view of the display structure of FIG. 1;
FIG. 7 is a right side elevation view of the display structure of FIG. 1;
FIG. 8 is a left side elevation view of the display structure of FIG. 1;
FIG. 9 is a first perspective view of a second embodiment of the display structure of our new design;
FIG. 10 is a second perspective view of the display structure of FIG. 9;
FIG. 11 is a front elevation view of the display structure of FIG. 9;
FIG. 12 is a rear elevation view of the display structure of FIG. 9;
FIG. 13 is a top plan view of the display structure of FIG. 9;
FIG. 14 is a bottom plan view of the display structure of FIG. 9;
FIG. 15 is a right side elevation view of the display structure of FIG. 9; and,
FIG. 16 is a left side elevation view of the display structure of FIG. 9.
The broken lines in the figures show portions of the display structure that form no part of the claimed design.

1 Claim, 12 Drawing Sheets



(56)

References Cited

U.S. PATENT DOCUMENTS

D400,737 S * 11/1998 DePottay D25/58
D401,451 S * 11/1998 Sherman D6/682.4
D414,567 S * 9/1999 Burt D25/123
D415,203 S * 10/1999 Sherman D19/90
D511,581 S * 11/2005 Holztrager D25/123
D536,802 S * 2/2007 Sorensen D25/138
D673,402 S * 1/2013 Kuzyk D6/703
D691,400 S * 10/2013 Young D6/596
D697,337 S * 1/2014 Young D6/596
D708,874 S * 7/2014 Lippincott D6/703
9,076,354 B1 * 7/2015 Peota G09F 15/0018
D739,166 S * 9/2015 Dockery D6/672
D767,922 S * 10/2016 Jussila D6/672
D785,383 S * 5/2017 Johnson D6/681.2
2007/0278168 A1 * 12/2007 Li A47B 96/00
211/94.01

* cited by examiner

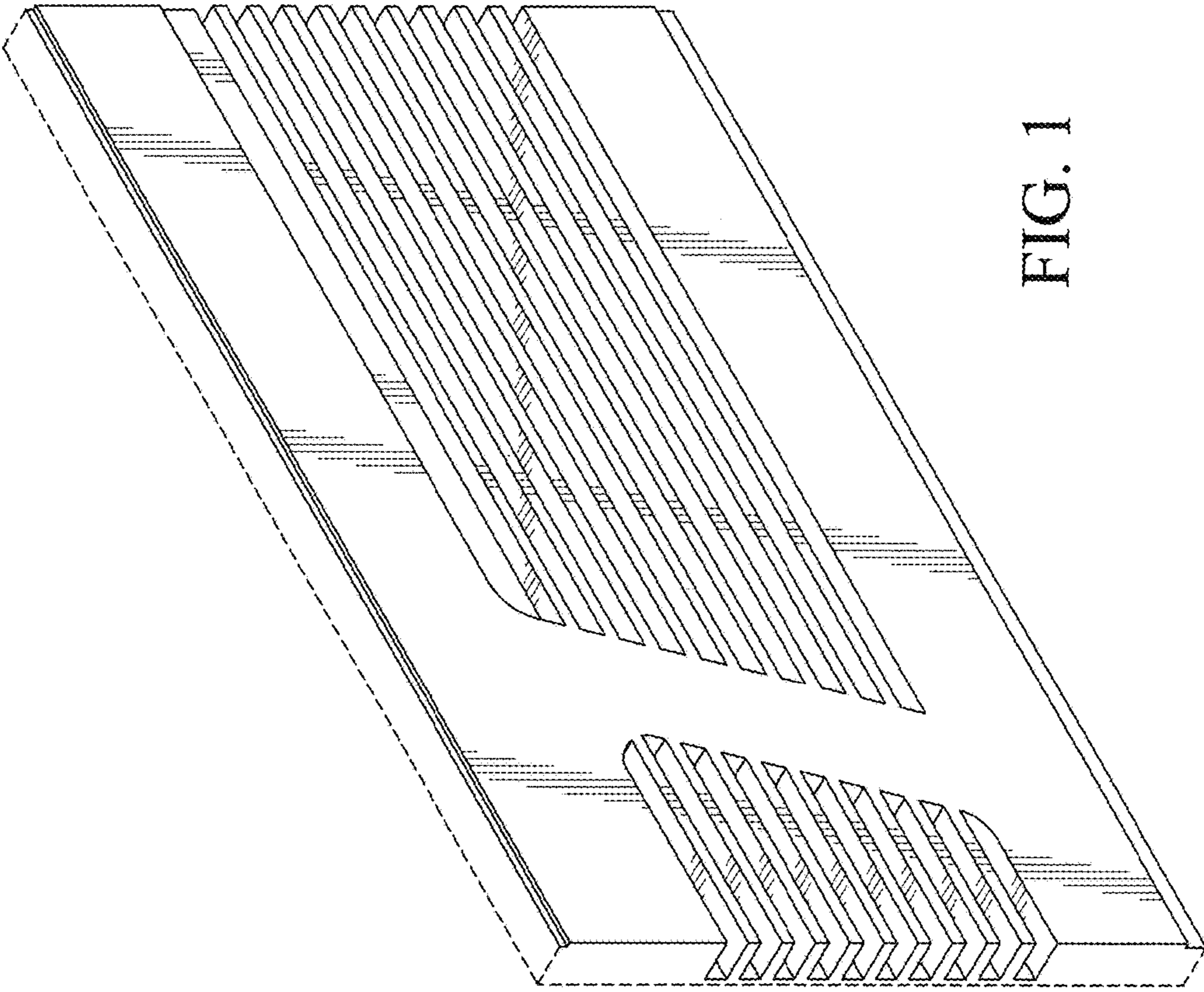


FIG. 1

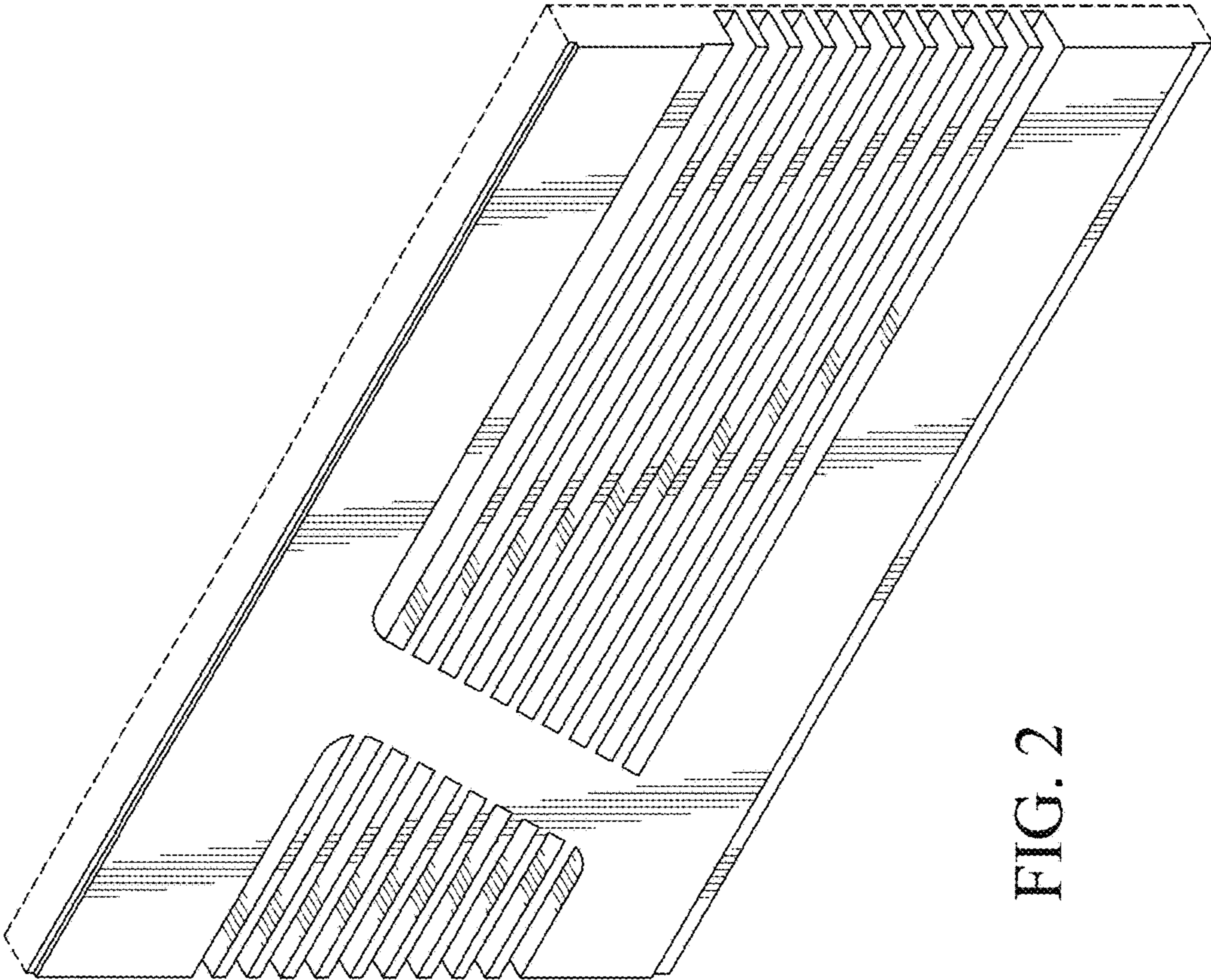


FIG. 2

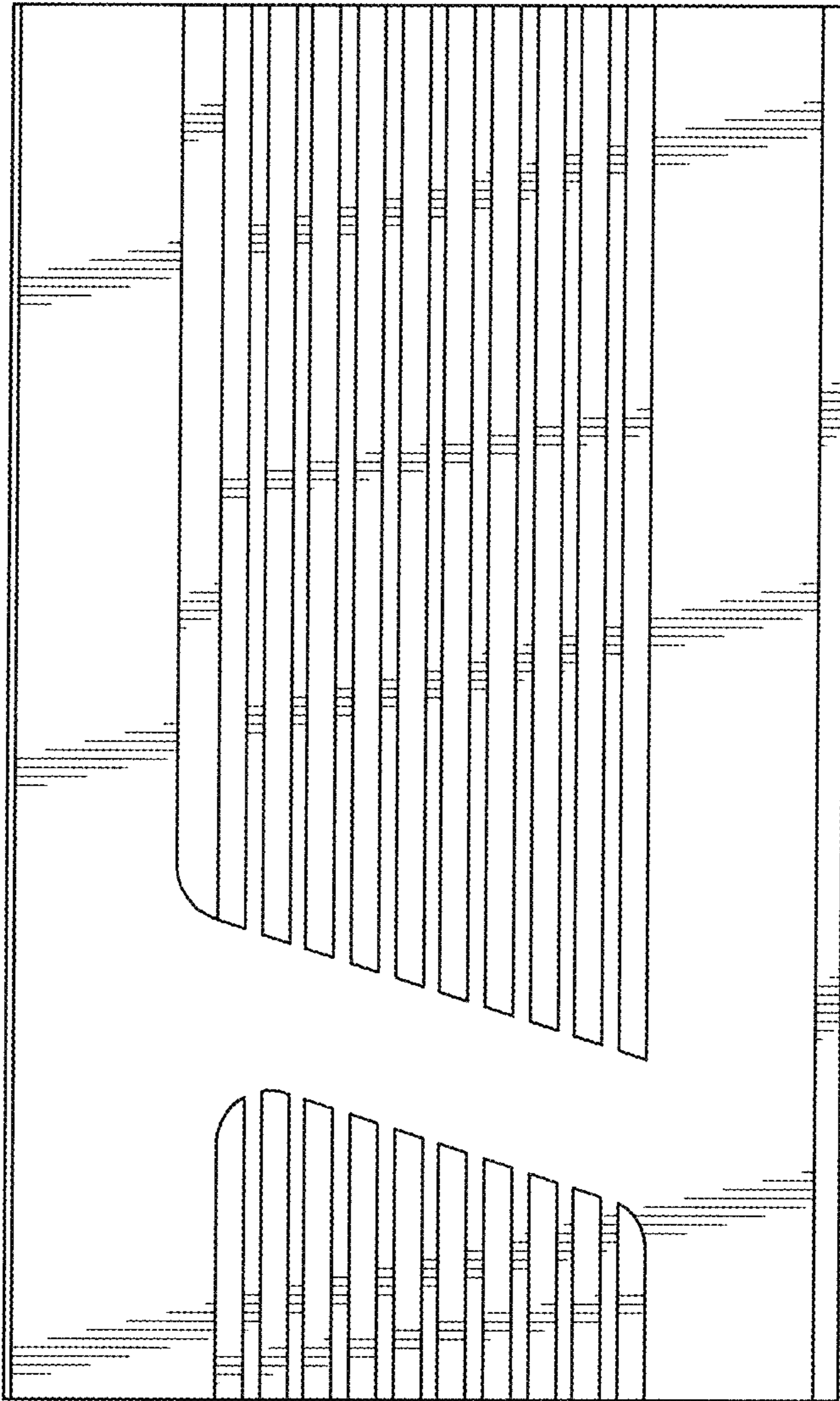


FIG. 3

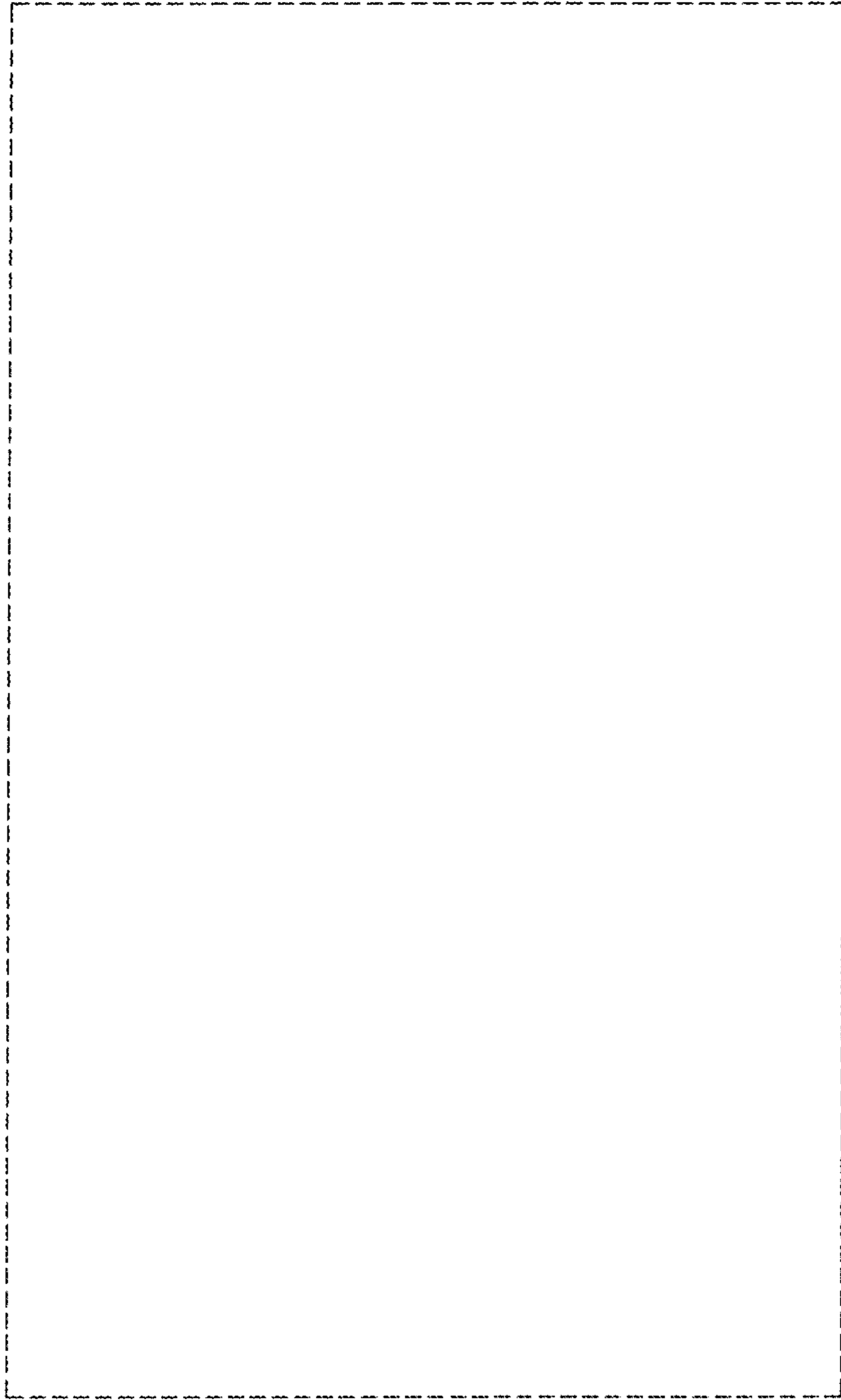


FIG. 4



FIG. 5



FIG. 6



FIG. 8



FIG. 7

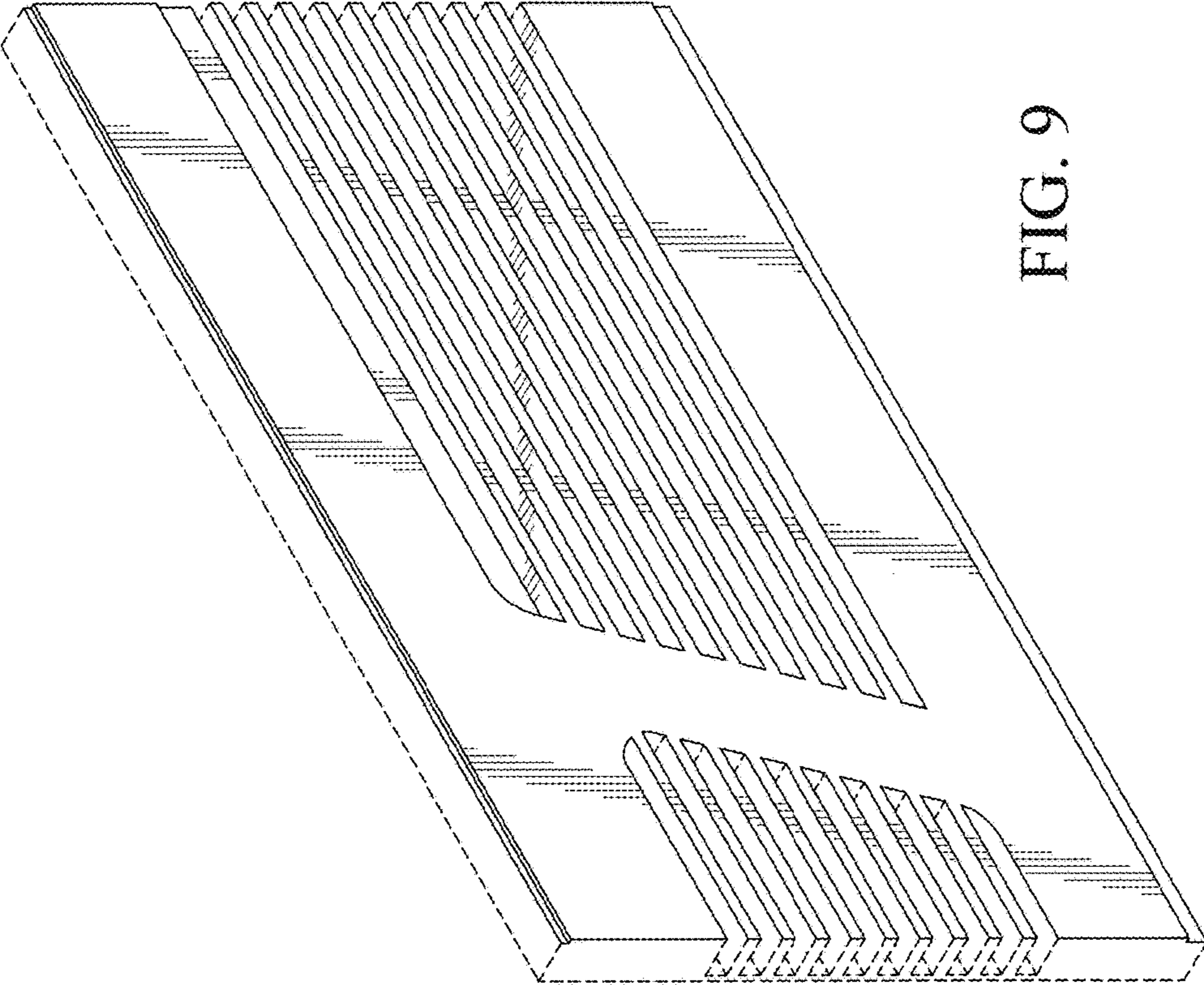


FIG. 9

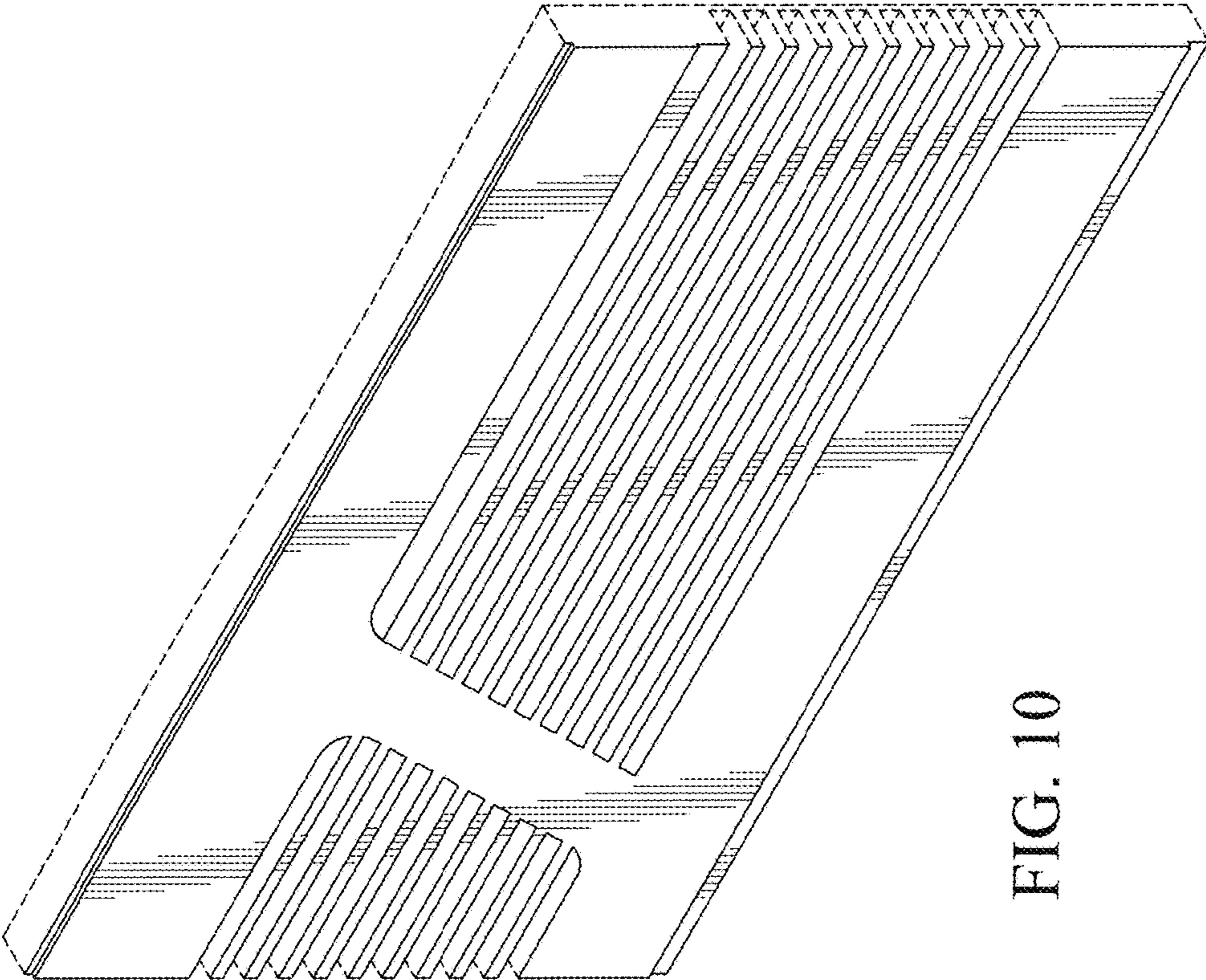


FIG. 10

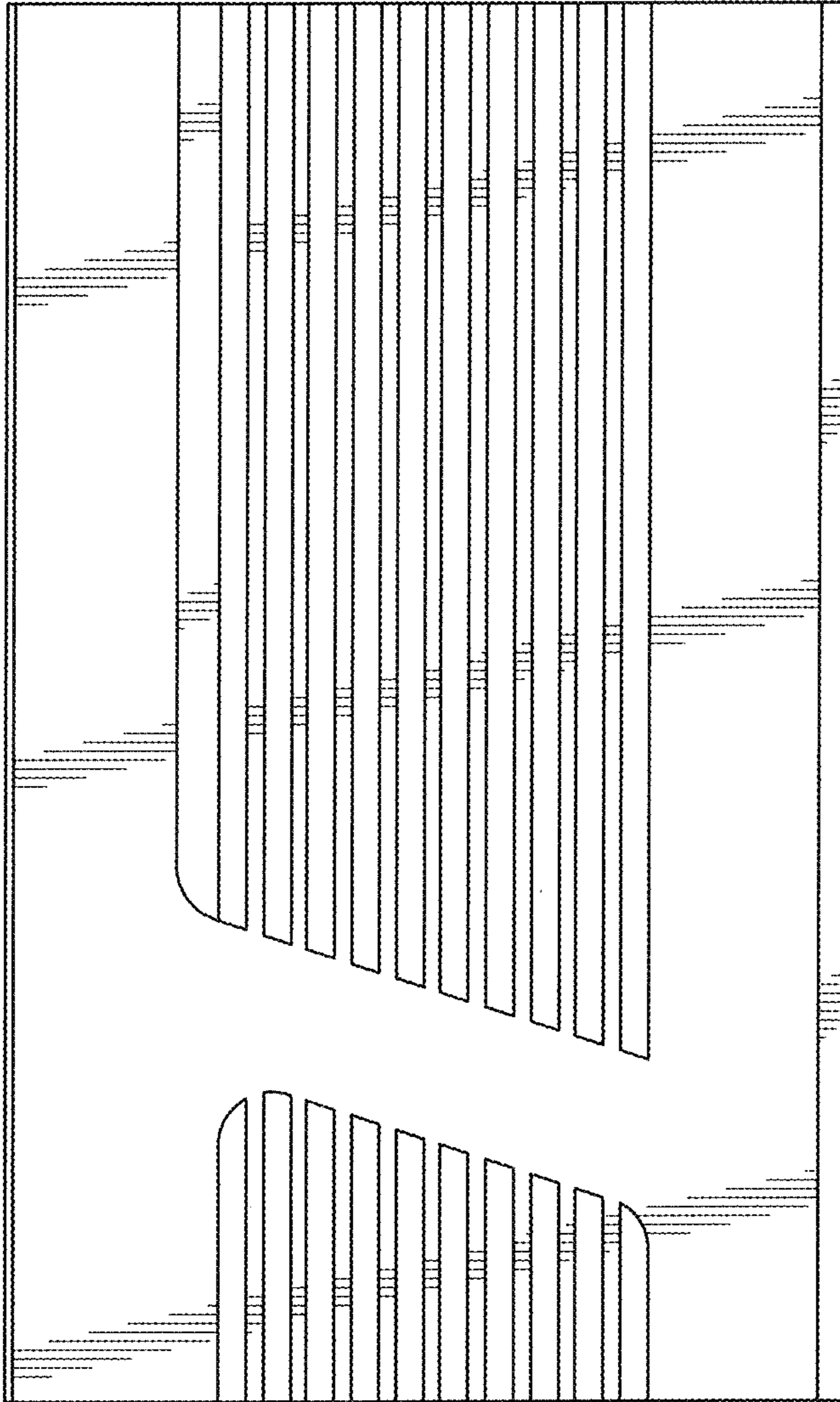


FIG. 11

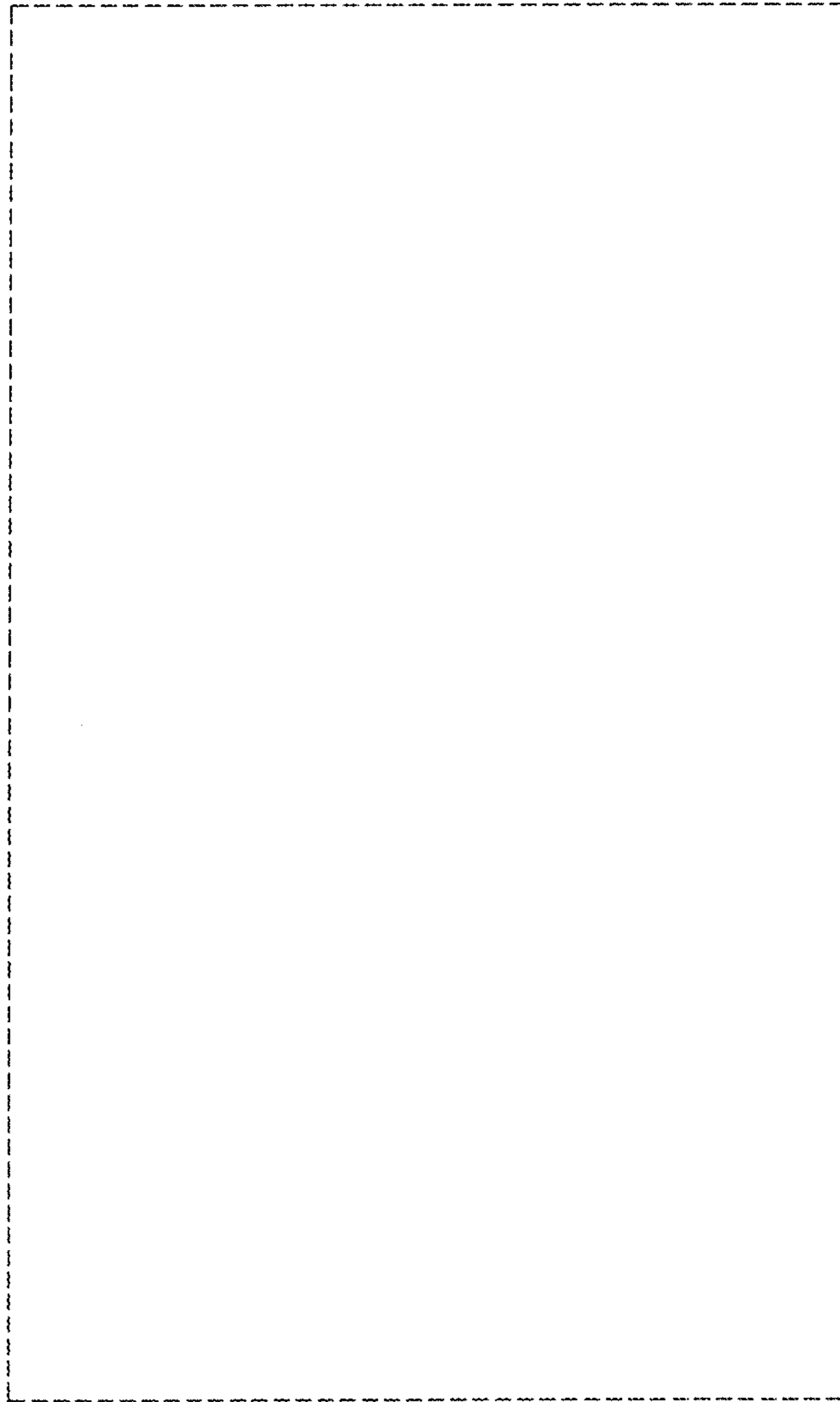


FIG. 12



FIG. 13



FIG. 14



FIG. 15



FIG. 16