



US00D815865S

(12) **United States Design Patent**
Gauggel

(10) **Patent No.:** **US D815,865 S**

(45) **Date of Patent:** **** Apr. 24, 2018**

(54) **DISPLAY STRUCTURE**

(71) Applicant: **Carl Zeiss Vision International GmbH**, Aalen (DE)

(72) Inventor: **Elmar Gauggel**, Vaihingen an der Enz (DE)

(73) Assignee: **Carl Zeiss Vision International GmbH**, Aalen (DE)

(**) Term: **15 Years**

(21) Appl. No.: **29/590,230**

(22) Filed: **Jan. 9, 2017**

(30) **Foreign Application Priority Data**

Jul. 7, 2016	(EM)	03299130-0001
Jul. 7, 2016	(EM)	03299130-0002
Jul. 7, 2016	(EM)	03299130-0003
Jul. 7, 2016	(EM)	03299130-0004
Jul. 7, 2016	(EM)	03299130-0005

(Continued)

(51) **LOC (11) Cl.** **06-06**

(52) **U.S. Cl.**
USPC **D6/677**

(58) **Field of Classification Search**
USPC D6/672, 673, 677, 682.1, 708, 708.17,
D6/708.2

(Continued)

(56) **References Cited**

U.S. PATENT DOCUMENTS

D244,857 S	*	6/1977	Hayes	D24/166
D280,957 S	*	10/1985	Meier	D6/370

(Continued)

Primary Examiner — Kelley Donnelly

(74) *Attorney, Agent, or Firm* — Walter Ottesen, P.A.

(57) **CLAIM**

The ornamental design for a display structure, as shown and described.

DESCRIPTION

FIG. 1 is a first perspective view of a first embodiment of the display structure of our new design;

FIG. 2 is a second perspective view of the display structure of FIG. 1;

FIG. 3 is a front elevation view of the display structure of FIG. 1;

FIG. 4 is a rear elevation view of the display structure of FIG. 1;

FIG. 5 is a top plan view of the display structure of FIG. 1;

FIG. 6 is a bottom plan view of the display structure of FIG. 1;

FIG. 7 is a right side elevation view of the display structure of FIG. 1;

FIG. 8 is a left side elevation view of the display structure of FIG. 1;

FIG. 9 is a first perspective view of a second embodiment of the display structure of our new design;

FIG. 10 is a second perspective view of the display structure of FIG. 9;

FIG. 11 is a front elevation view of the display structure of FIG. 9;

FIG. 12 is a rear elevation view of the display structure of FIG. 9;

FIG. 13 is a top plan view of the display structure of FIG. 9;

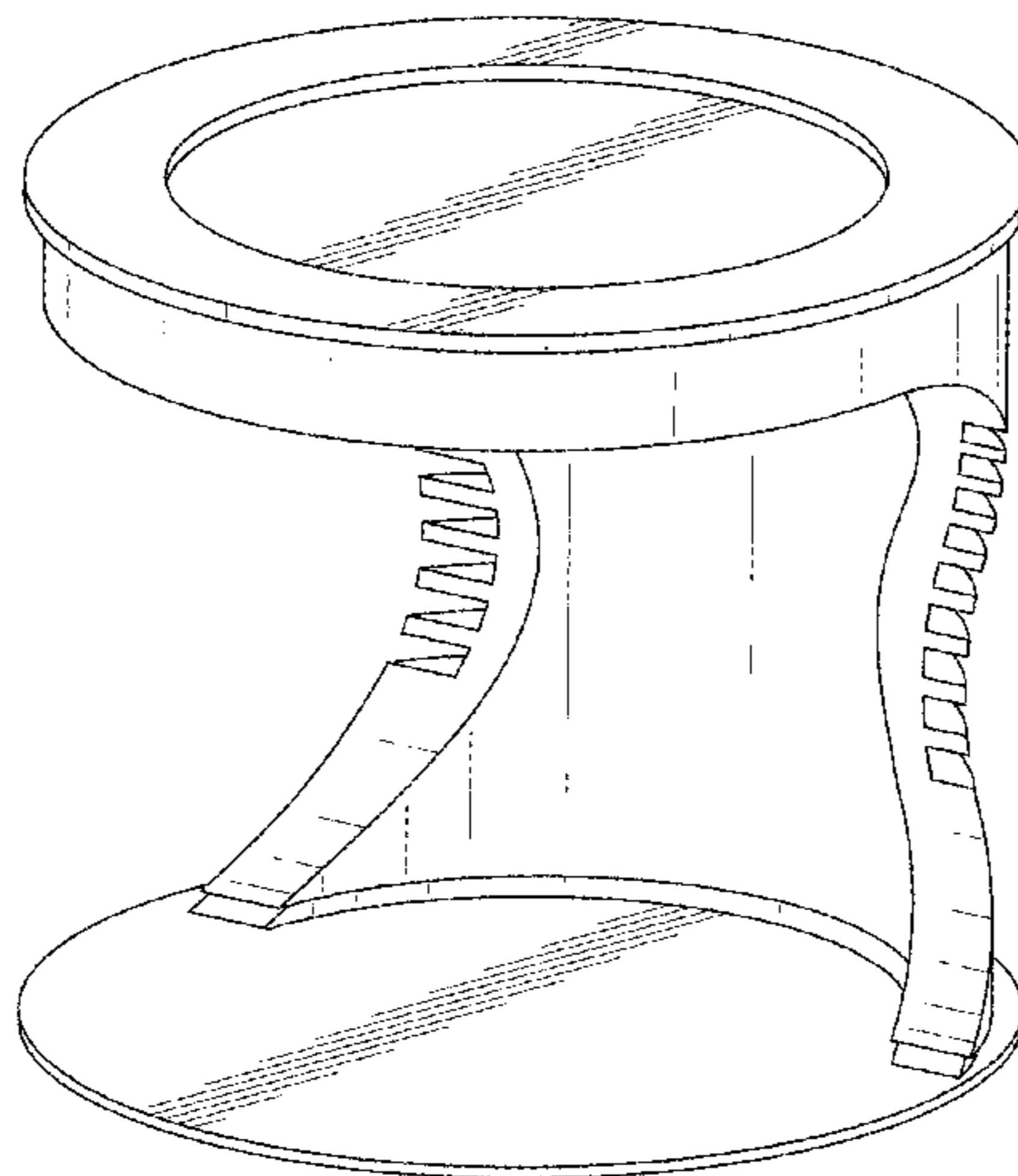
FIG. 14 is a bottom plan view of the display structure of FIG. 9;

FIG. 15 is a right side elevation view of the display structure of FIG. 9; and,

FIG. 16 is a left side elevation view of the display structure of FIG. 9.

The broken lines in the figures show portions of the display structure that form no part of the claimed design.

1 Claim, 12 Drawing Sheets



(30) Foreign Application Priority Data

Jul. 7, 2016 (EM) 03299130-0006
Jul. 7, 2016 (EM) 03299130-0007
Jul. 7, 2016 (EM) 03299130-0008
Jul. 7, 2016 (EM) 03299130-0010
Jul. 7, 2016 (EM) 03299130-0011
Jul. 7, 2016 (EM) 03299130-0012
Jul. 7, 2016 (EM) 03299130-0013
Jul. 7, 2016 (EM) 03299130-0014
Jul. 7, 2016 (EM) 03299130-0015
Jul. 7, 2016 (EM) 03299130-0016
Jul. 7, 2016 (EM) 03299130-0017
Jul. 7, 2016 (EM) 03299130-0018
Jul. 7, 2016 (EM) 03299130-0019
Jul. 7, 2016 (EM) 03299130-0020
Jul. 7, 2016 (EM) 03299130-0021
Jul. 7, 2016 (EM) 03299130-0022
Jul. 7, 2016 (EM) 03299130-0023
Jul. 7, 2016 (EM) 03299130-0024
Jul. 7, 2016 (EM) 03299130-0025

(58) Field of Classification Search

CPC A47F 5/0018; A47F 5/0043; A47F 7/0007;
A47F 5/02

See application file for complete search history.

(56) References Cited

U.S. PATENT DOCUMENTS

D322,904 S * 1/1992 Bareiss D6/690
D346,083 S * 4/1994 Bareiss D6/697
D597,326 S * 8/2009 Boutin D6/349
D645,047 S * 9/2011 Wike D14/447
D647,726 S * 11/2011 Strauch D6/677
D728,576 S * 5/2015 David D14/434
D758,107 S * 6/2016 Hamilton D6/677
D772,657 S * 11/2016 Kohn, Jr. D7/624.1
D775,874 S * 1/2017 Huang D6/677.4
D786,593 S * 5/2017 Almaghlouth D6/692.4

* cited by examiner

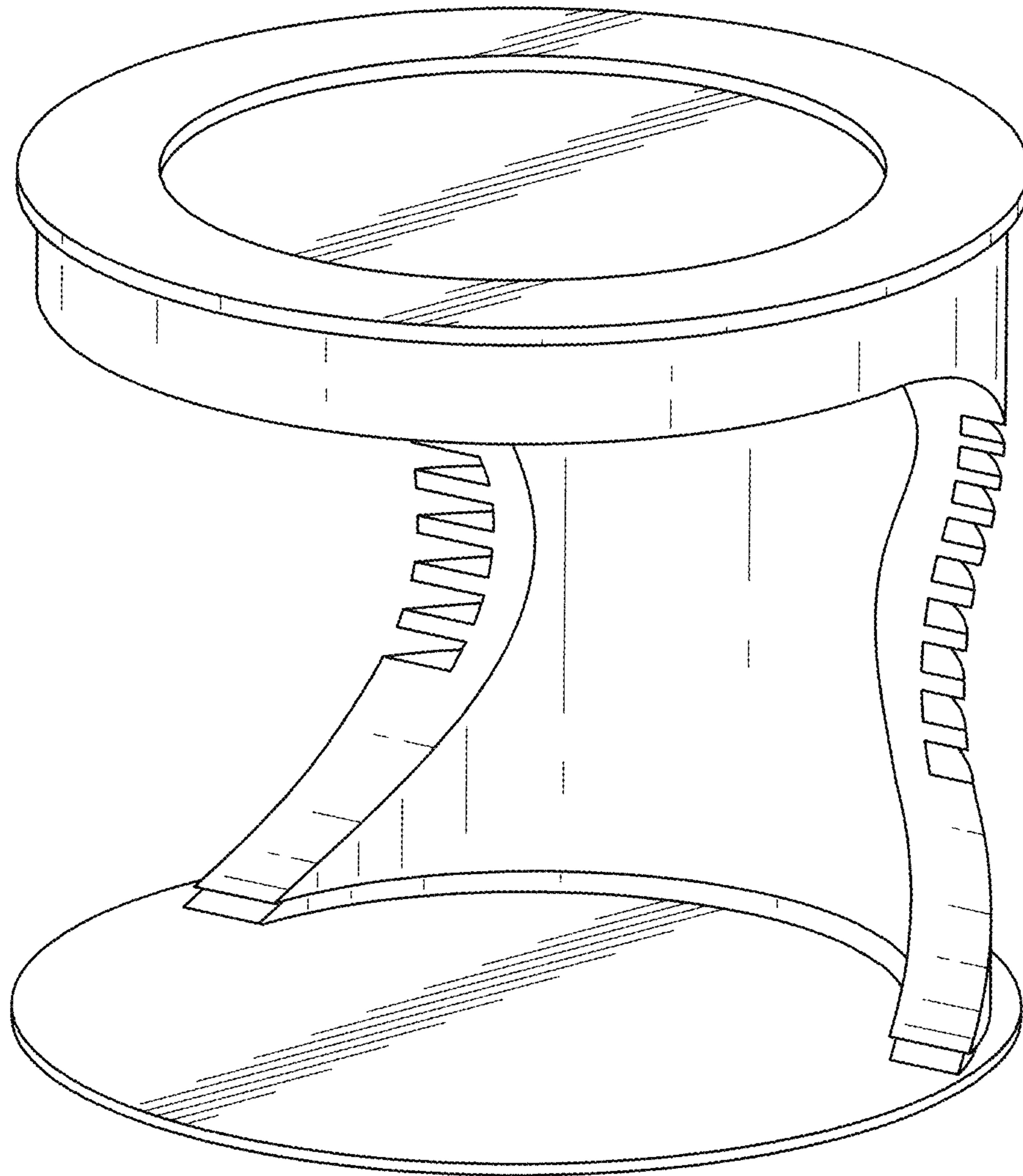


FIG. 1

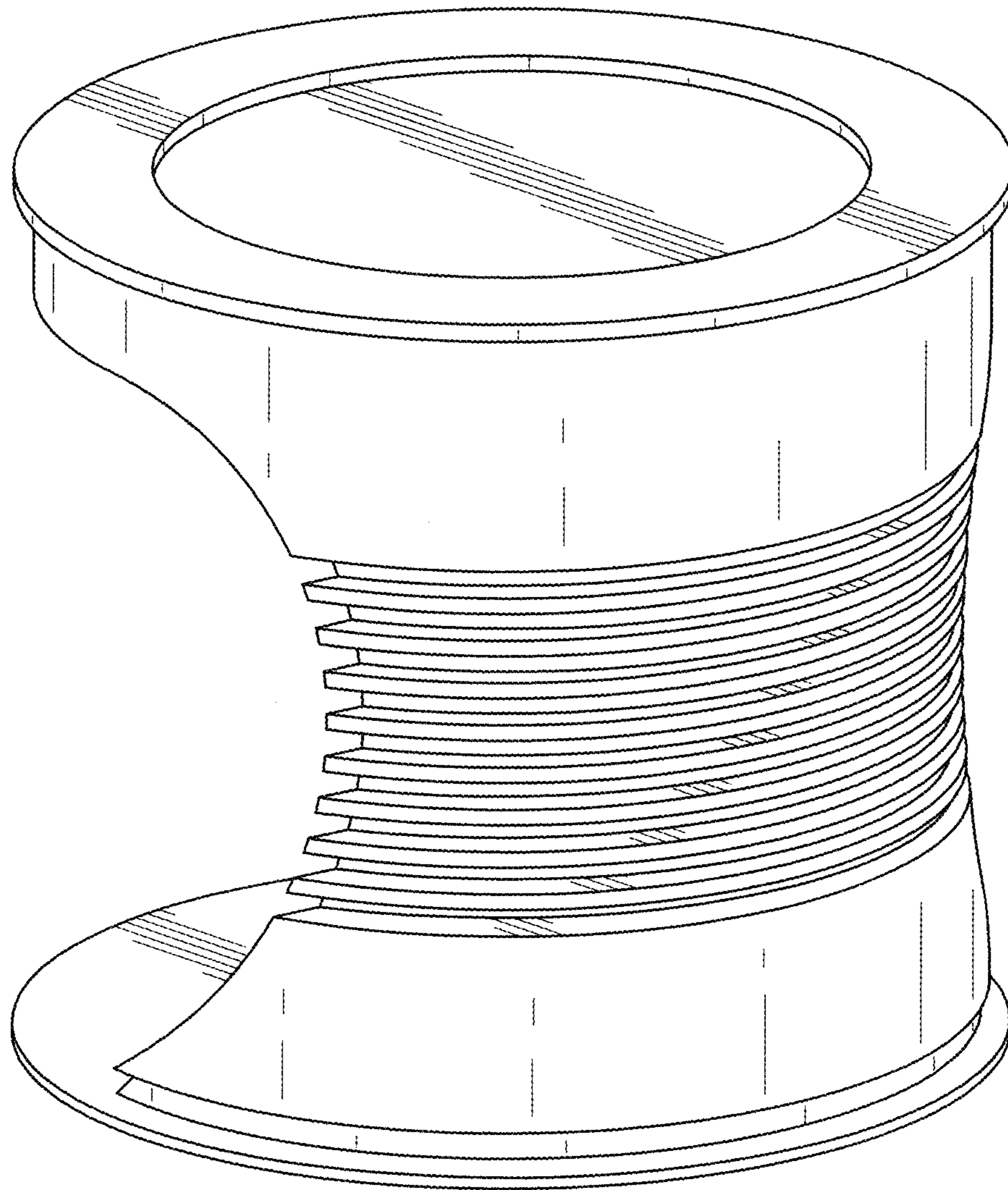


FIG. 2

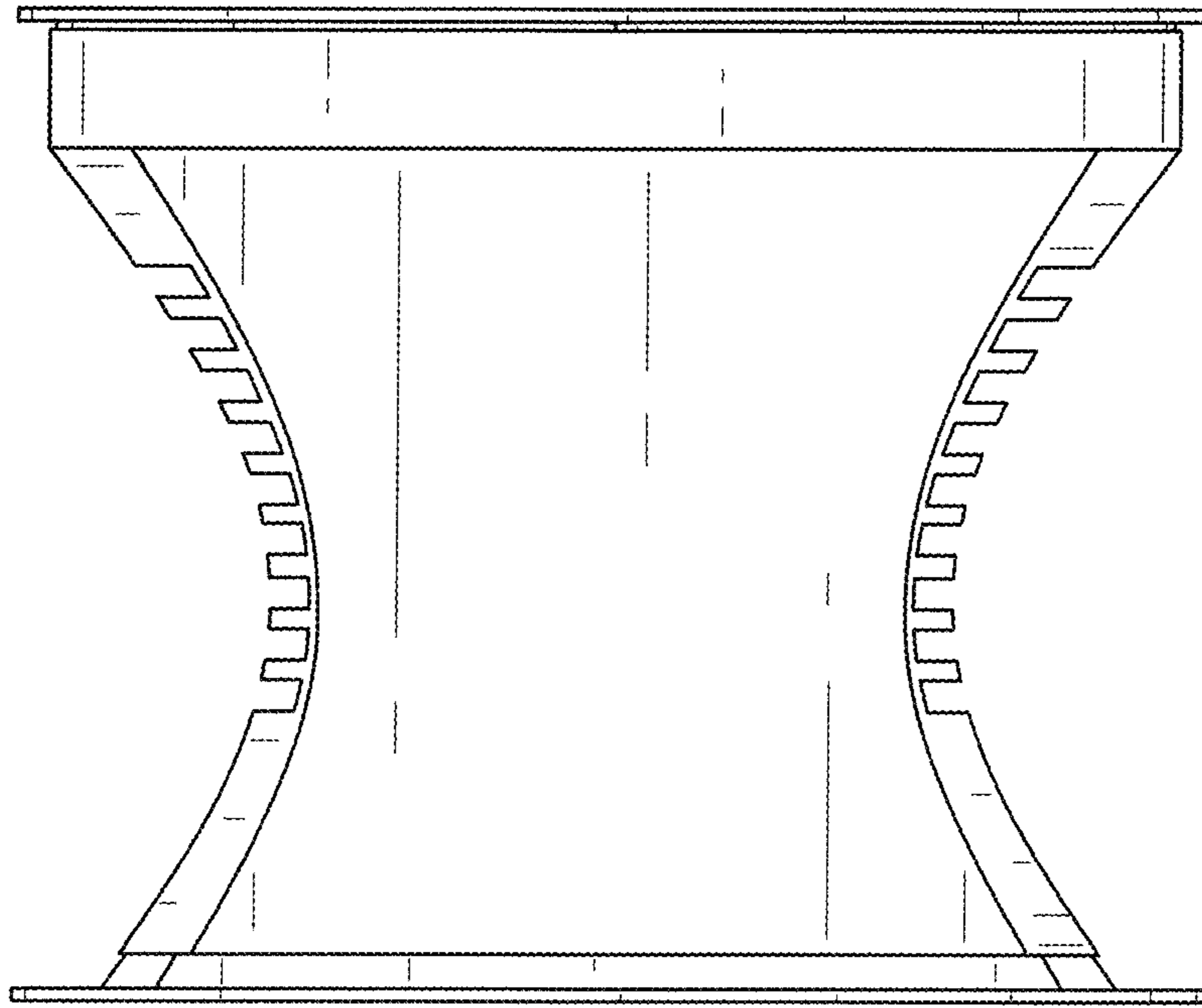


FIG. 3

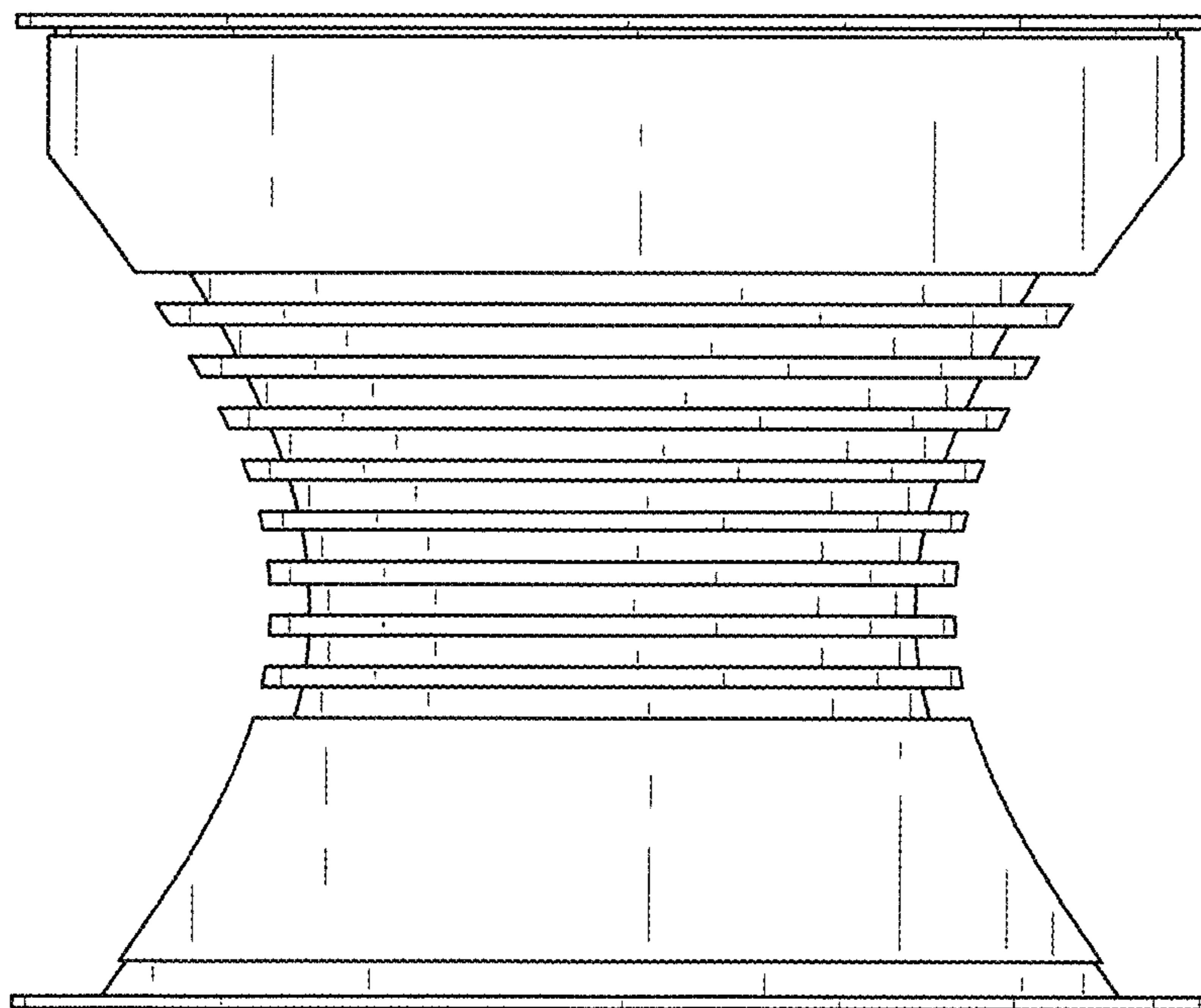


FIG. 4

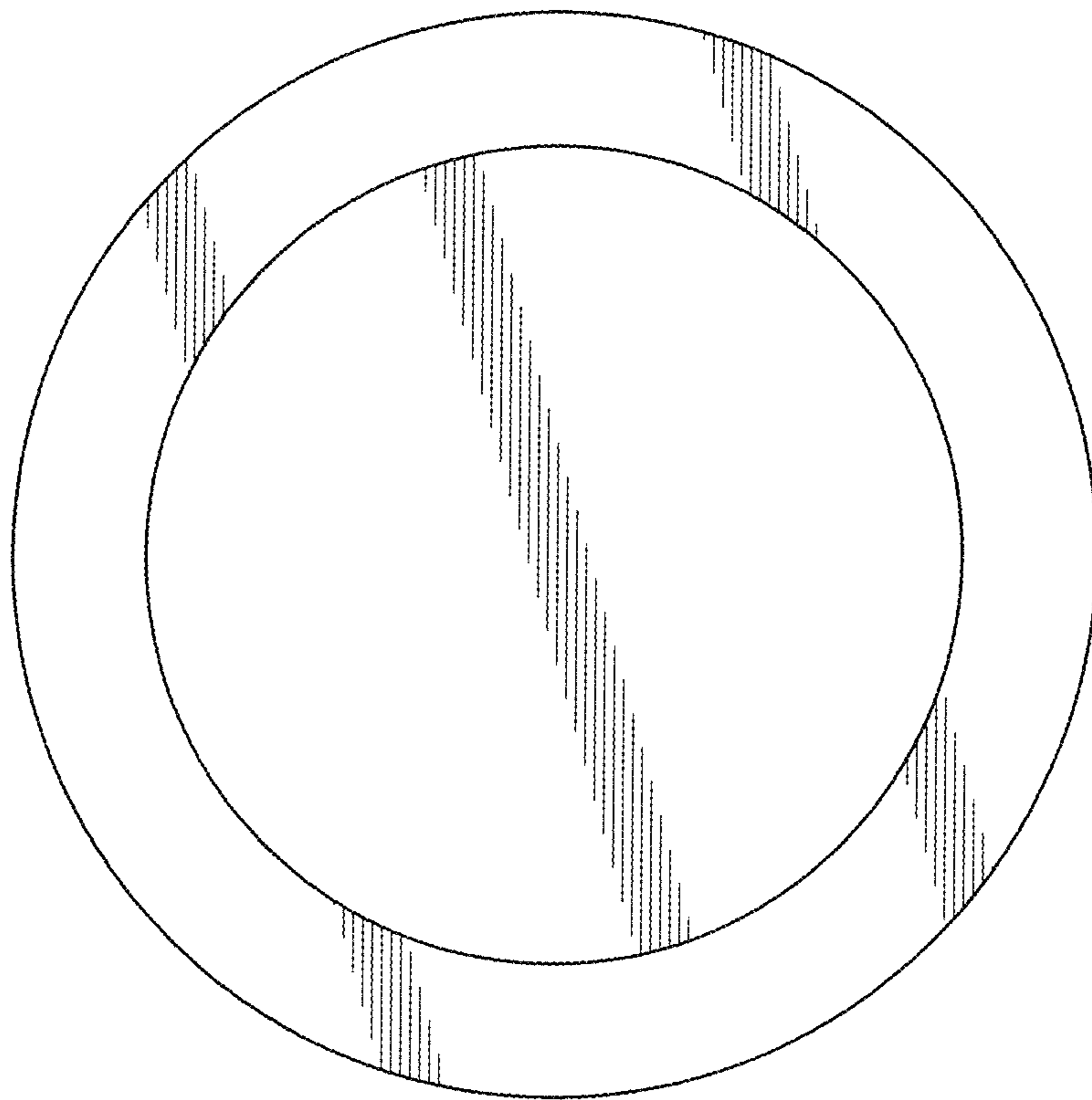


FIG. 5

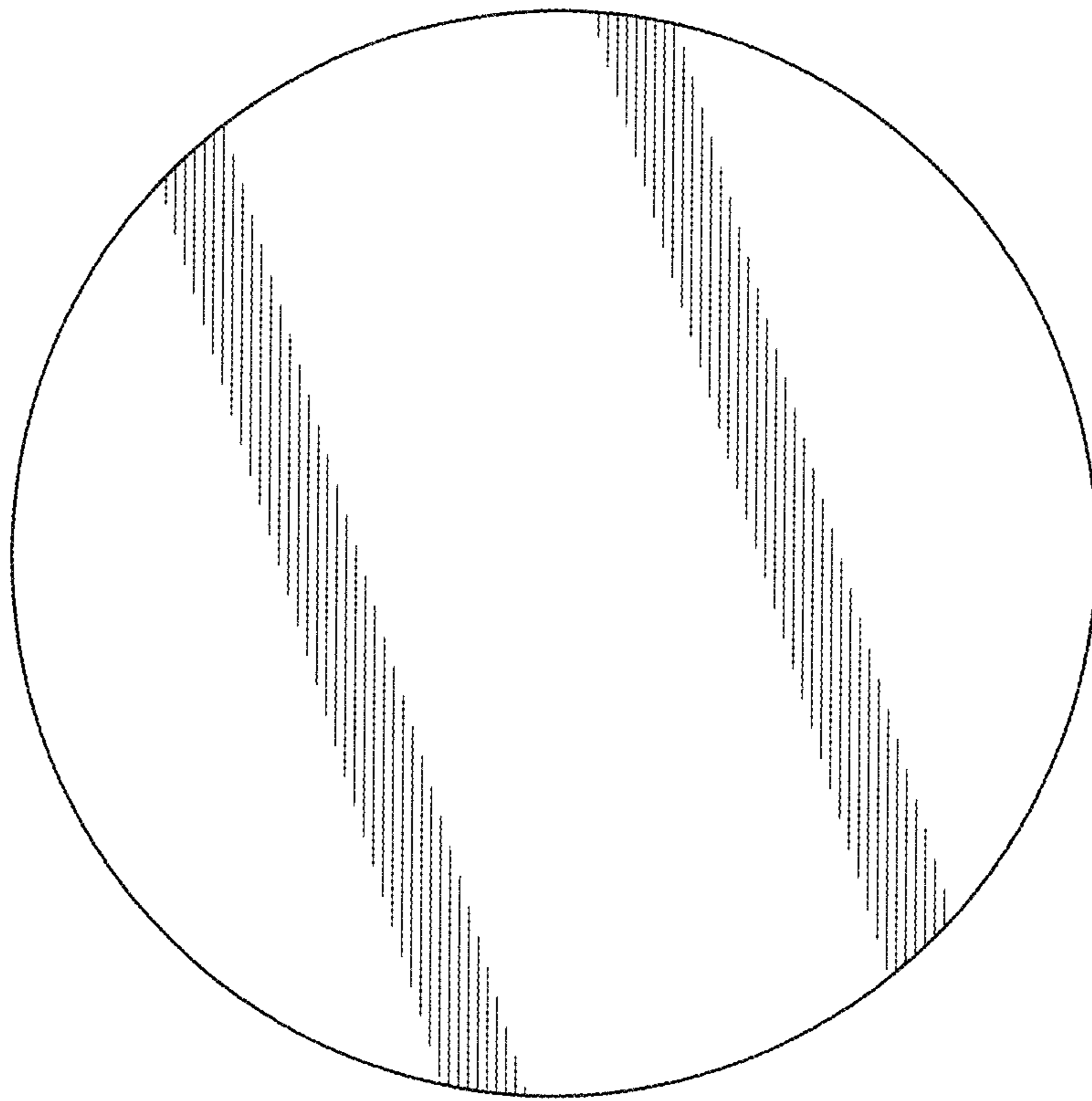


FIG. 6

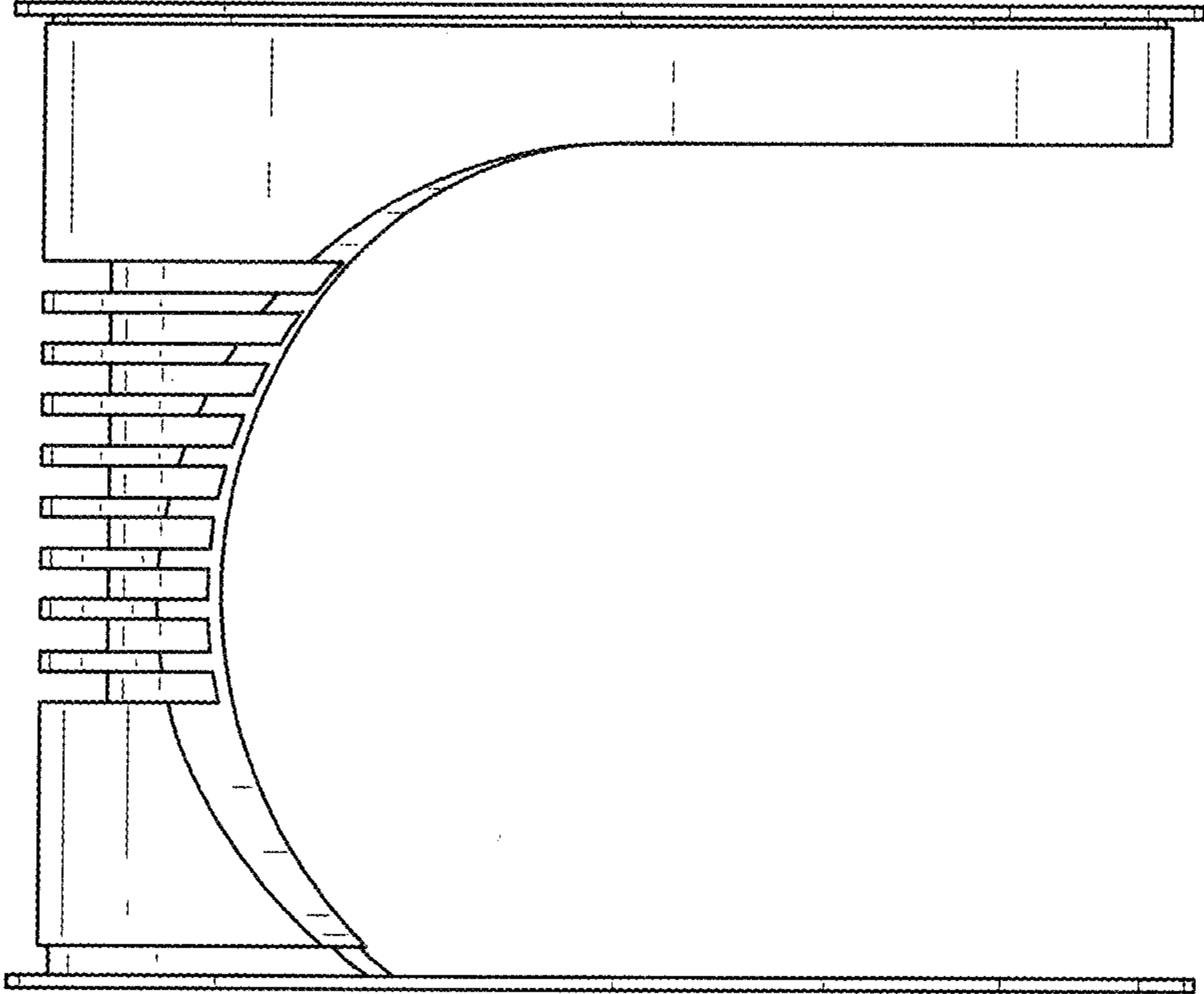


FIG. 7

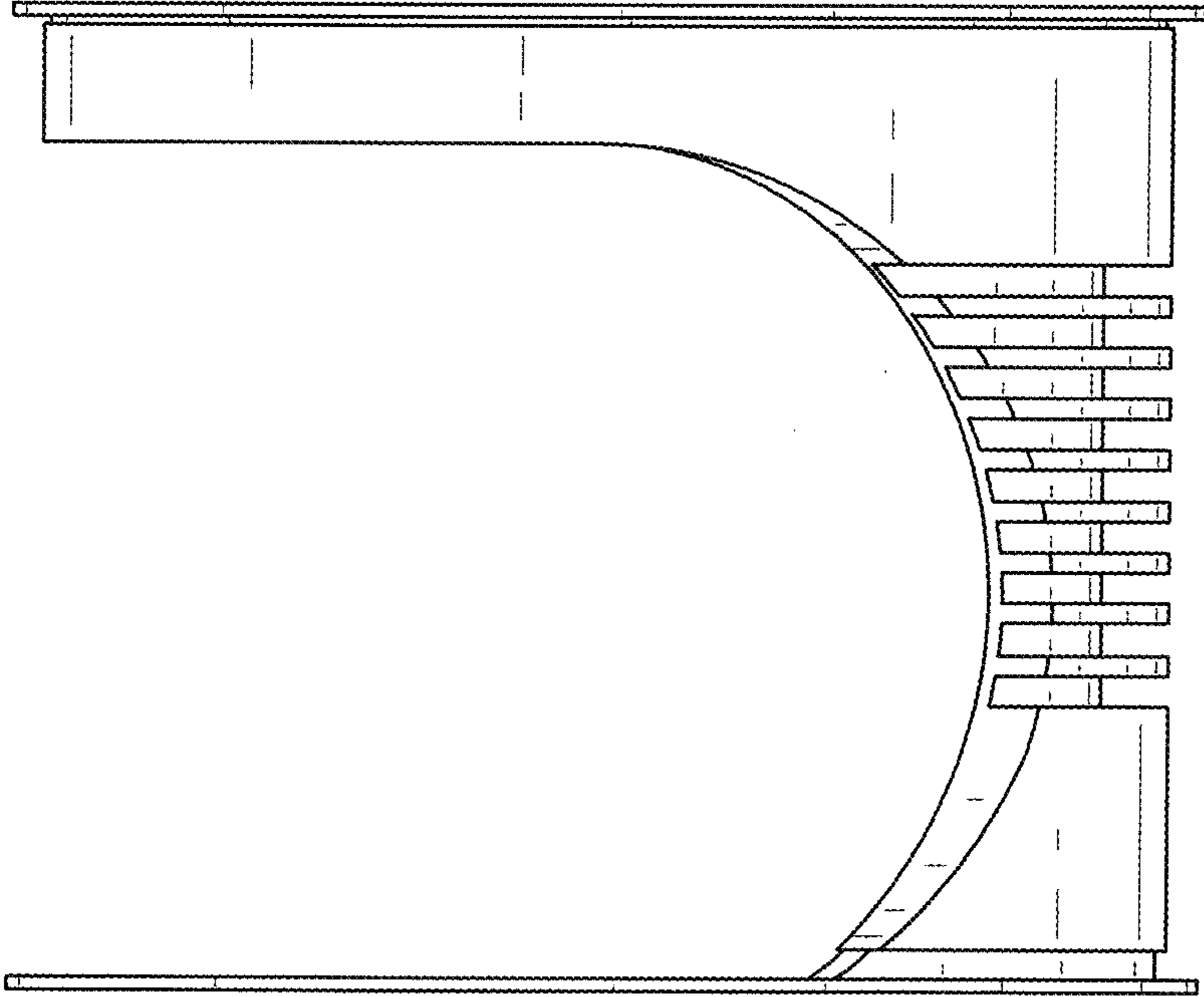


FIG. 8

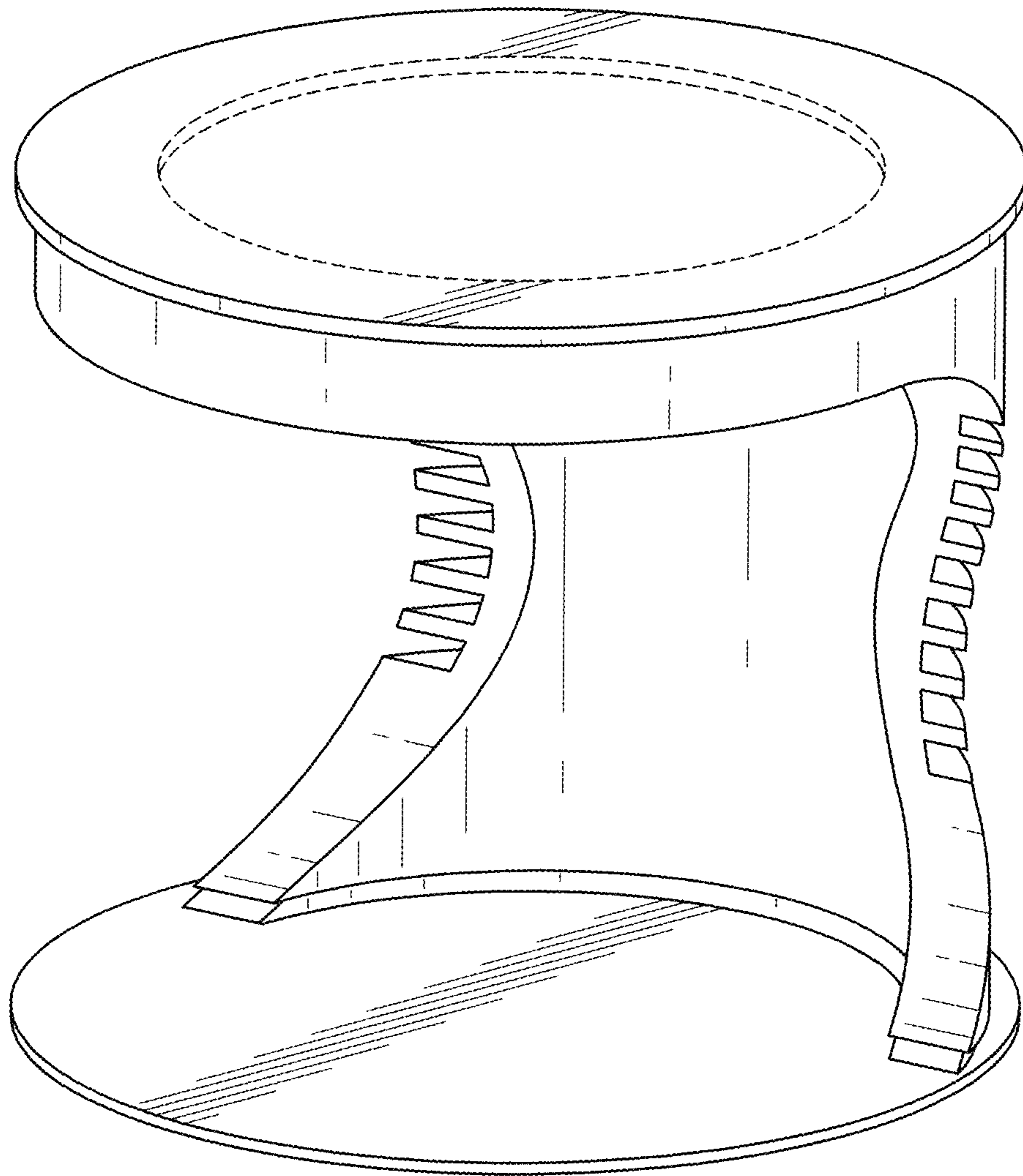


FIG. 9

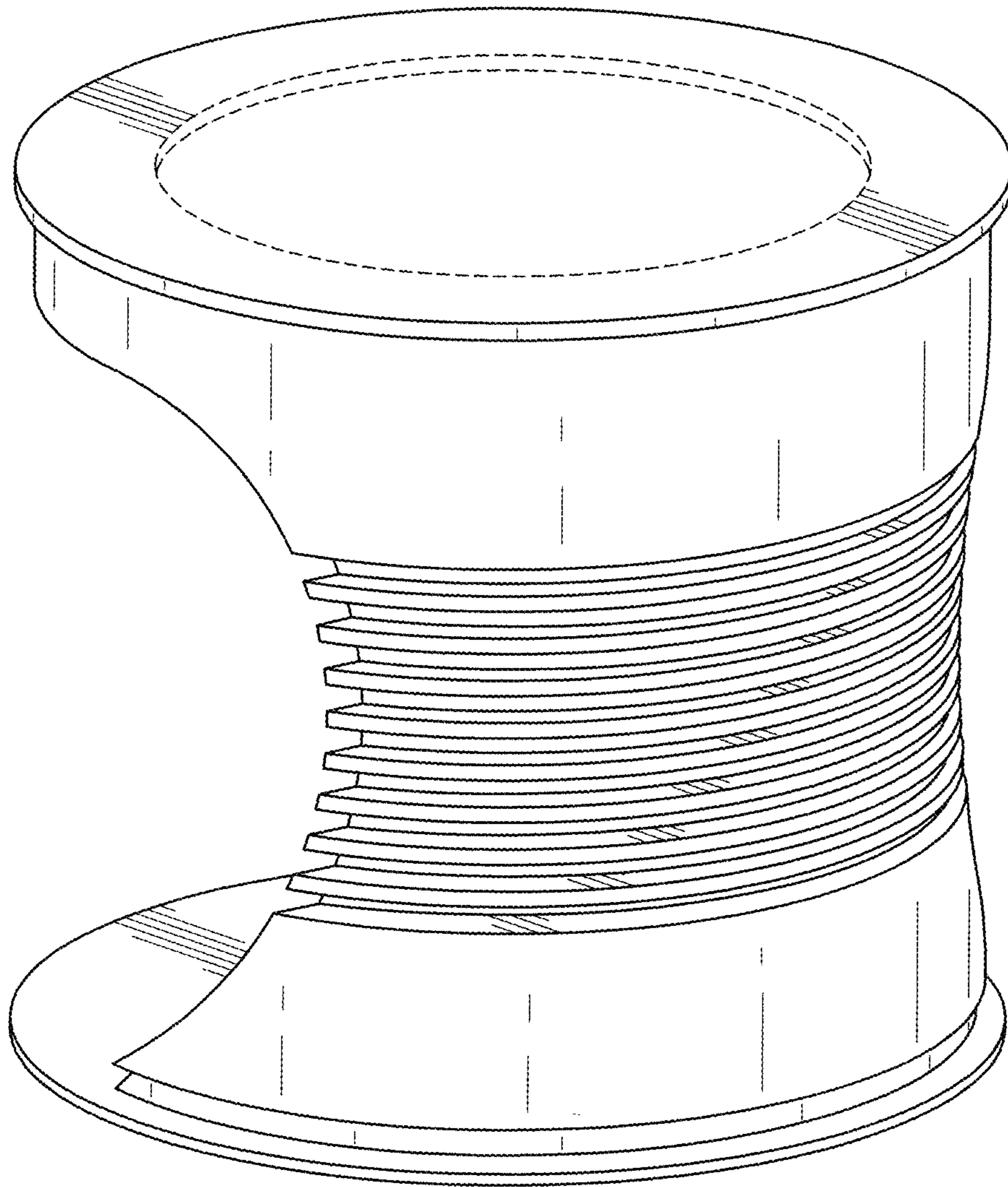


FIG. 10

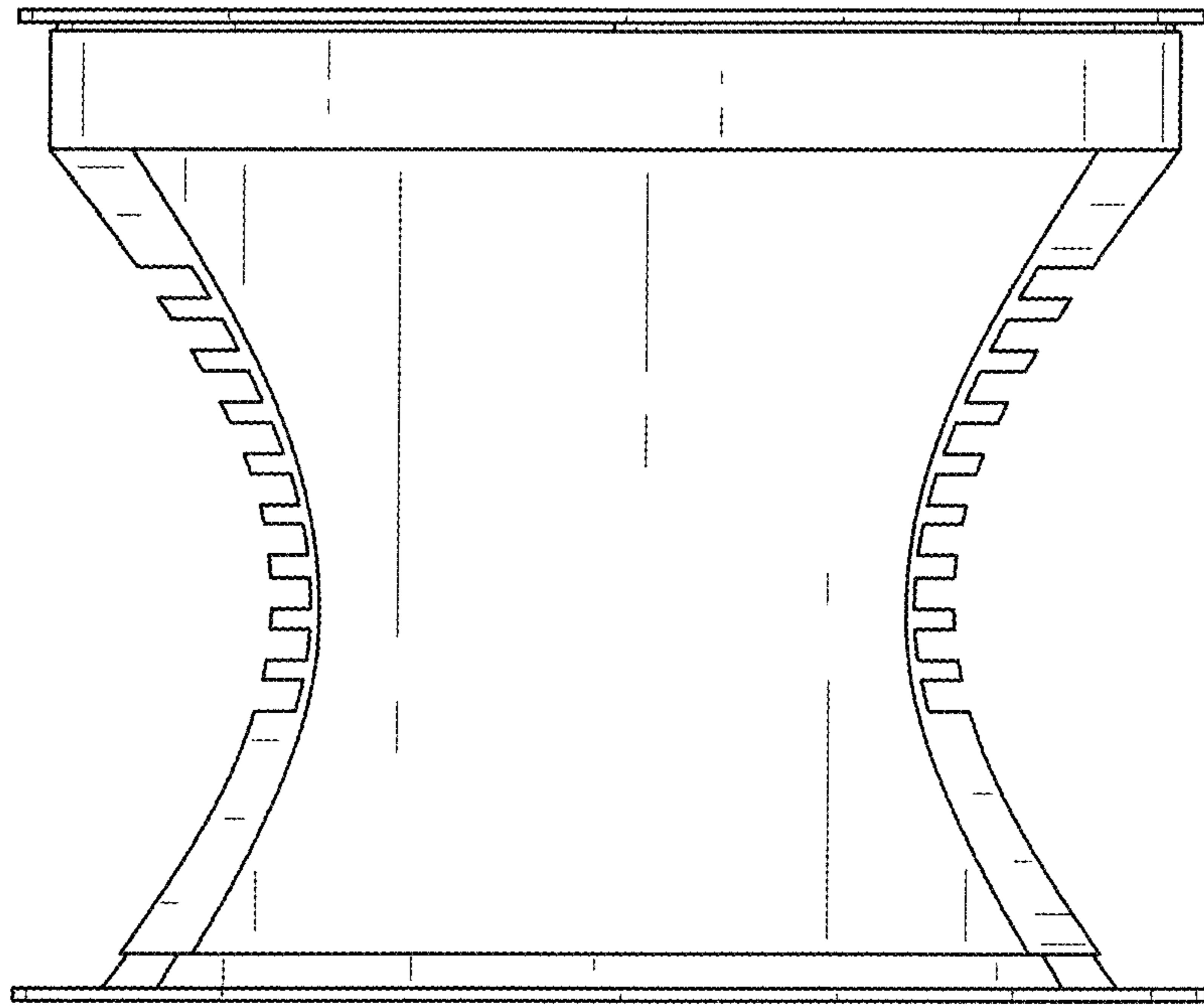


FIG. 11

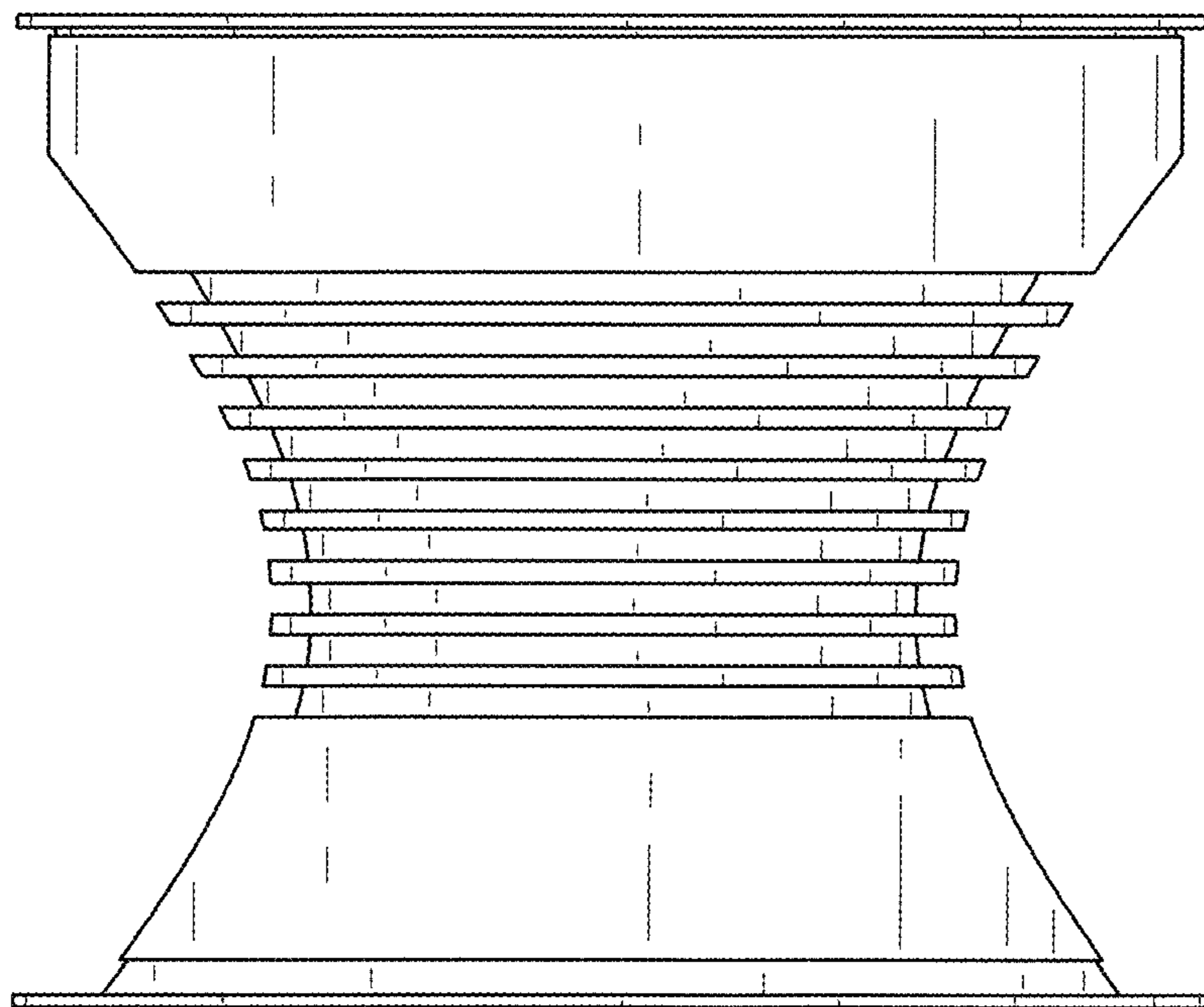


FIG. 12

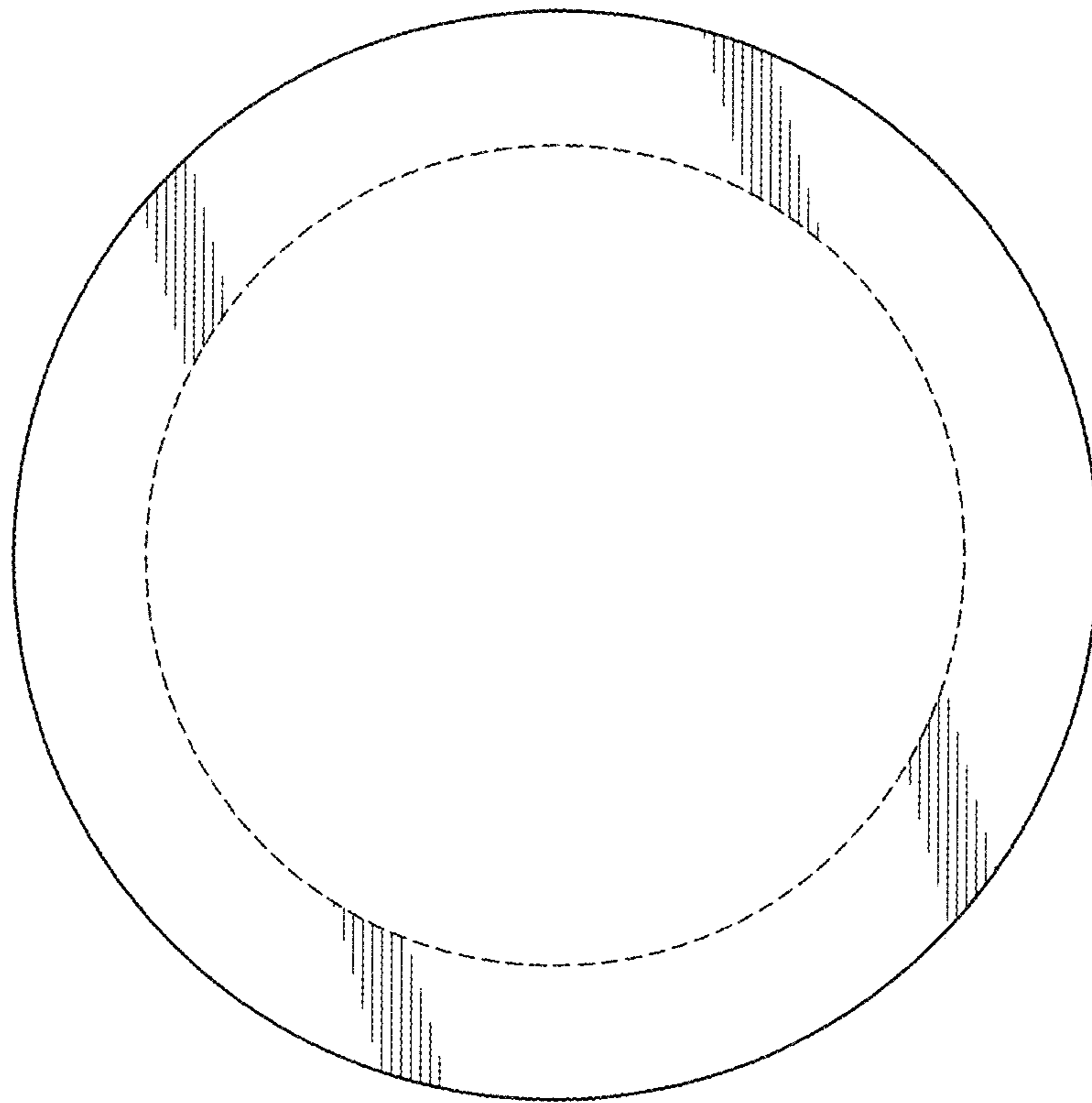


FIG. 13

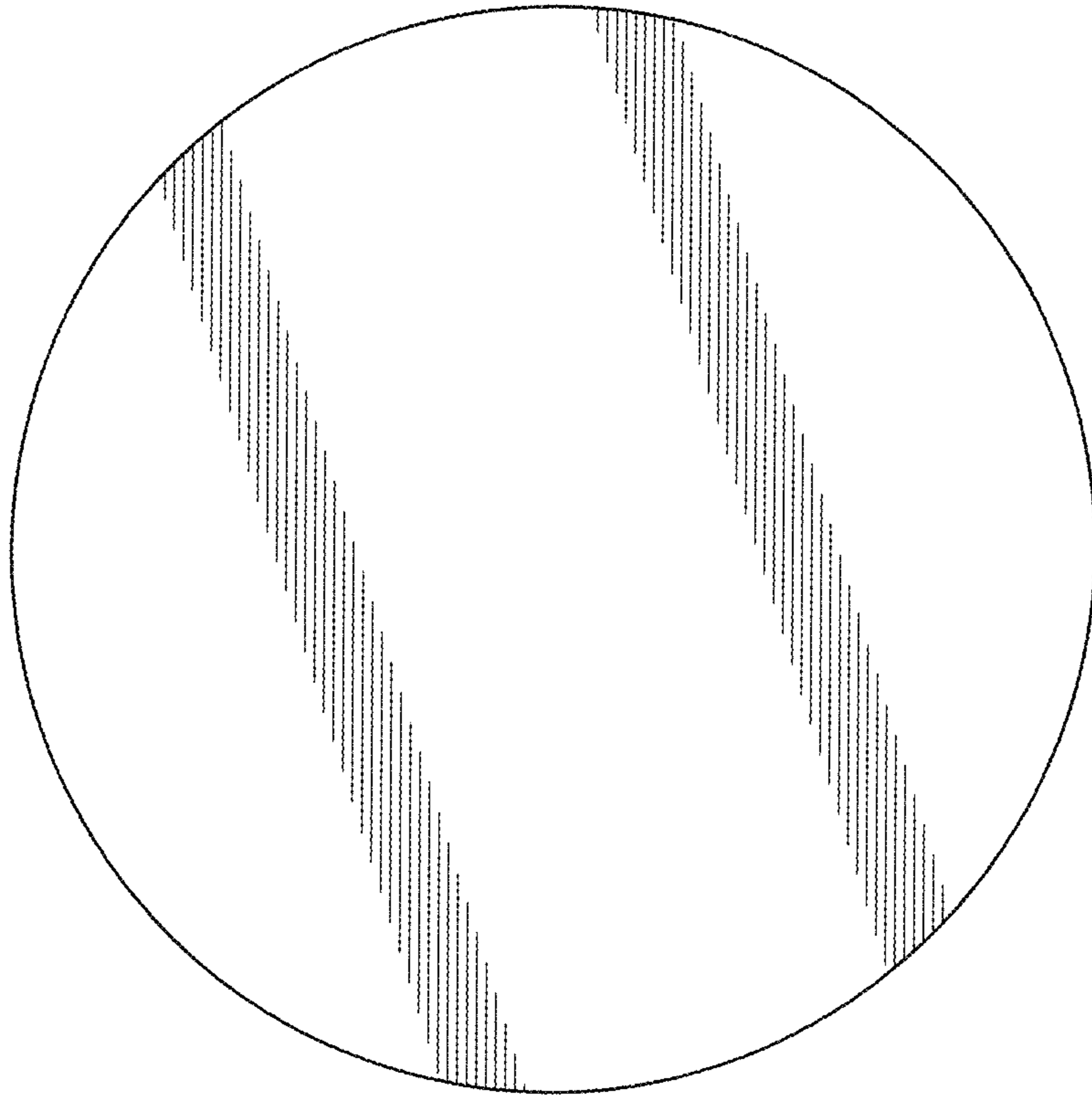


FIG. 14

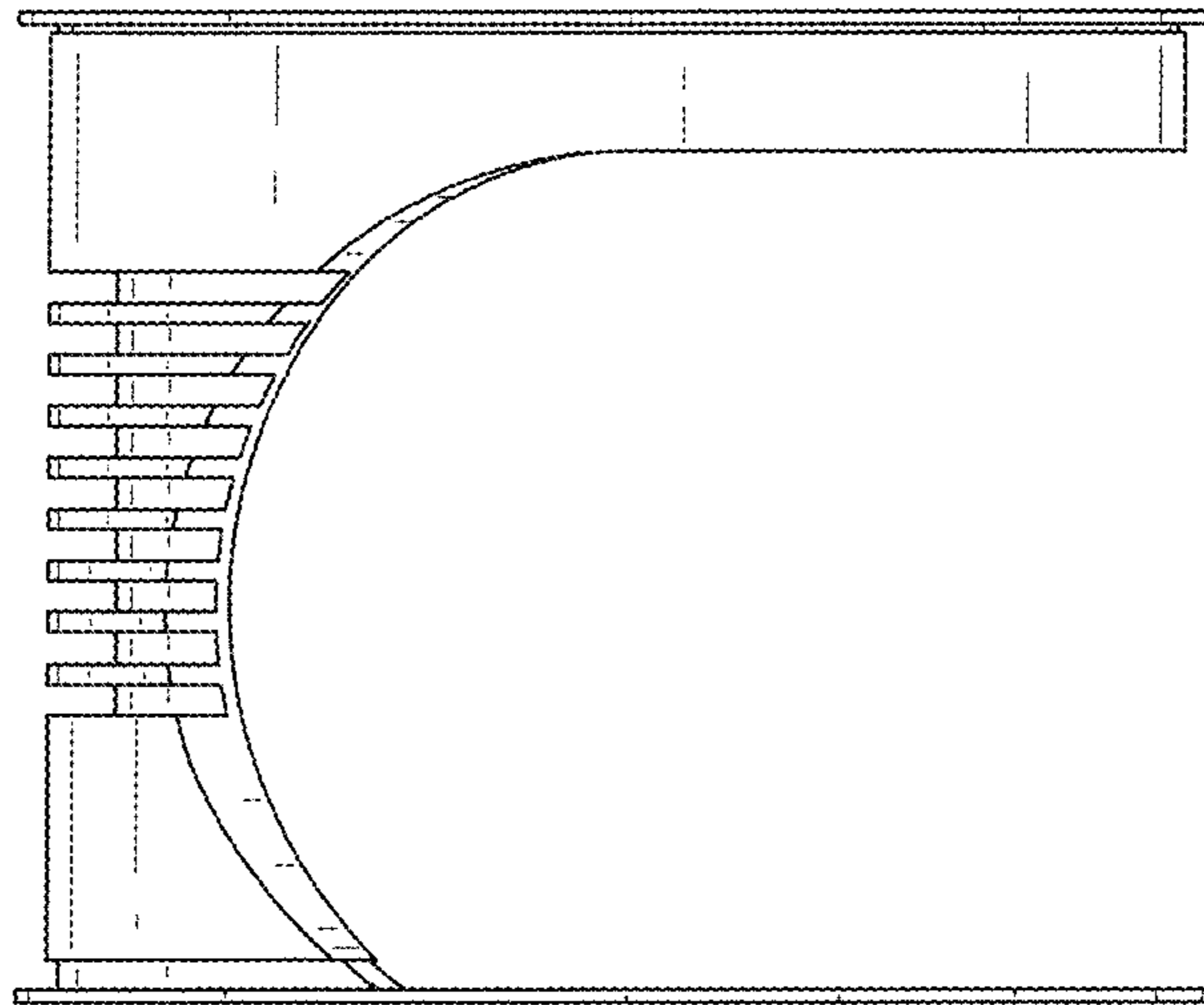


FIG. 15

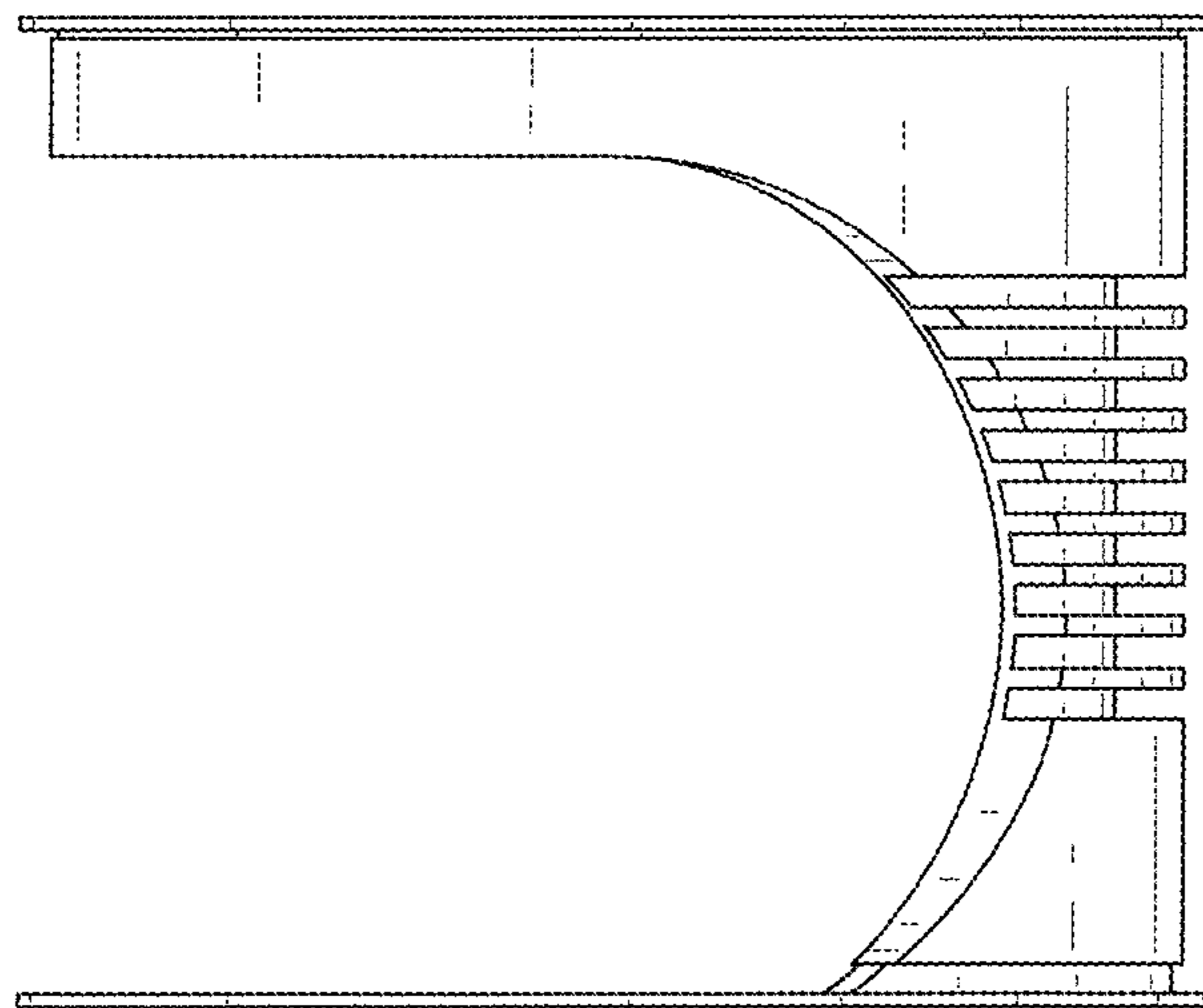


FIG. 16