



US00D815864S

(12) **United States Design Patent**  
**Burton et al.**

(10) **Patent No.:** **US D815,864 S**  
(45) **Date of Patent:** **\*\* Apr. 24, 2018**

(54) **DISPLAY STAND**

- (71) Applicant: **Sonos, Inc.**, Santa Barbara, CA (US)
- (72) Inventors: **Maximillian Burton**, Santa Barbara, CA (US); **Quinn Huffstetler**, Santa Barbara, CA (US); **Hoang M. Nguyen**, Santa Barbara, CA (US); **Anthony Sperduti**, Santa Barbara, CA (US)
- (73) Assignee: **Sonos, Inc.**, Santa Barbara, CA (US)
- (\*\*) Term: **15 Years**
- (21) Appl. No.: **29/570,255**
- (22) Filed: **Jul. 6, 2016**
- (51) **LOC (11) Cl.** ..... **06-06**
- (52) **U.S. Cl.**  
USPC ..... **D6/675**
- (58) **Field of Classification Search**  
USPC ... D6/672, 673, 675, 675.1, 678, 678.1, 682  
CPC ... A47B 43/00; A47F 3/00; A47F 3/08; A47F 5/0018; A47F 5/0043; A47F 5/10  
See application file for complete search history.

(56) **References Cited**

**U.S. PATENT DOCUMENTS**

D141,377 S	5/1945	Miller	
D233,970 S	12/1974	Hodges	
D274,203 S *	6/1984	Everett	D6/675.4
D287,443 S	12/1986	Norling	
D300,887 S	5/1989	Evans	
D365,706 S	1/1996	Campbell	
D393,963 S	5/1998	Mansour	
D464,498 S *	10/2002	Riga	D6/673
D568,632 S	5/2008	Suzuki	
D584,902 S	1/2009	Neff	
D591,078 S *	4/2009	Singler	D14/307

(Continued)

**OTHER PUBLICATIONS**

“Best Buy End-Cap”, InReality Marshall, Sep. 20, 2015, Retrieved from <https://web.archive.org/web/20150920010622/http://www.inreality.com/work/project/marshall-best-buy-display> on Jan. 31, 2017, 2 pages.

(Continued)

*Primary Examiner* — Kelley Donnelly  
(74) *Attorney, Agent, or Firm* — KPPB LLP

(57) **CLAIM**

The ornamental design for a display stand, as shown and described.

**DESCRIPTION**

FIG. 1 is an isometric view of a display stand in accordance with a first embodiment of the invention.

FIG. 2 is a front elevational view of the display stand in accordance with the first embodiment of the invention.

FIG. 3 is a rear elevational view of the display stand in accordance with the first embodiment of the invention.

FIG. 4 is a first side elevational view of the display stand in accordance with the first embodiment of the invention.

FIG. 5 is a second side elevational view of the display stand in accordance with the first embodiment of the invention.

FIG. 6 is an isometric view of a display stand in accordance with a second embodiment of the invention.

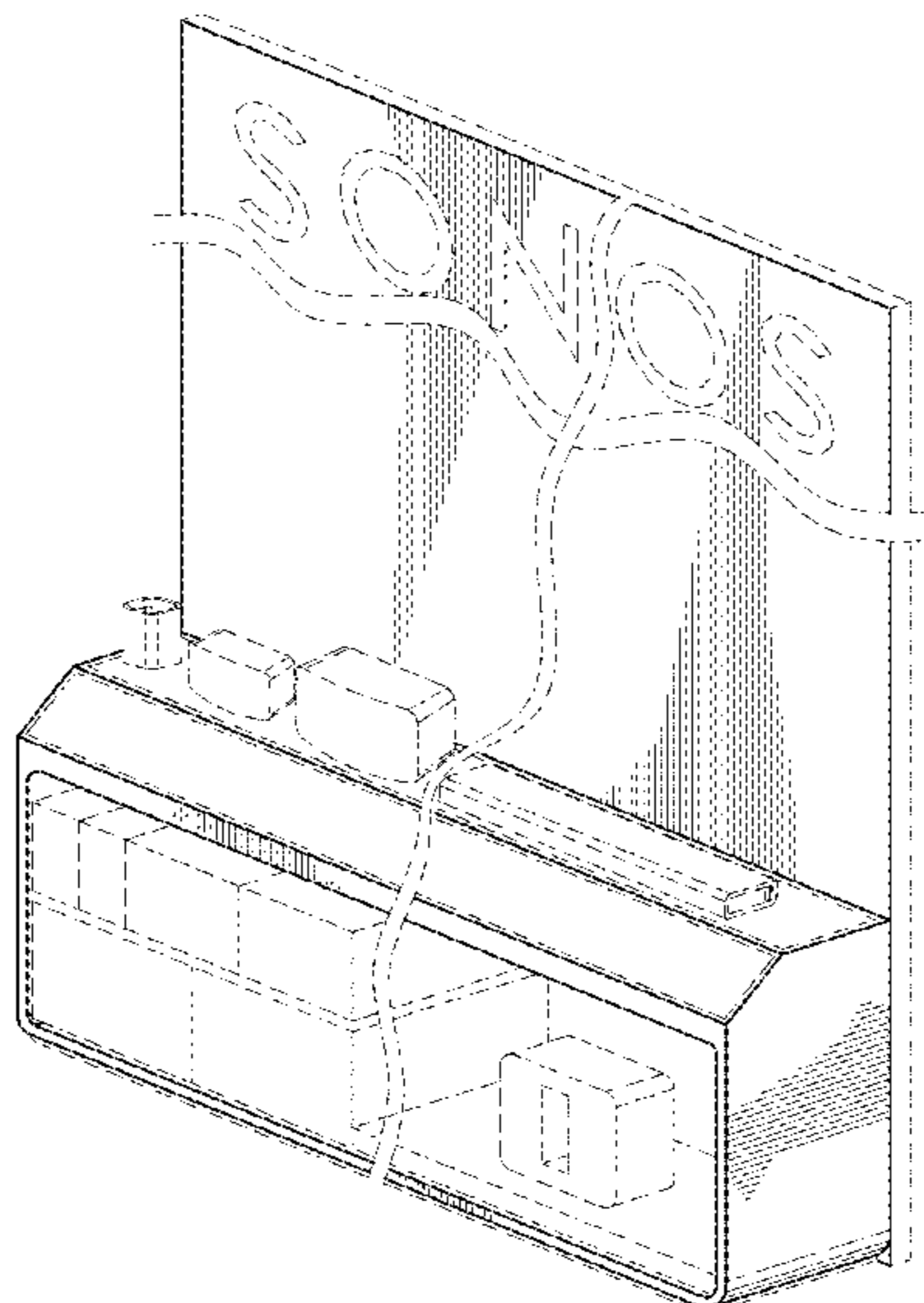
FIG. 7 is a front elevational view of the display stand in accordance with the second embodiment of the invention.

FIG. 8 is a rear elevational view of the display stand in accordance with the second embodiment of the invention.

FIG. 9 is a first side elevational view of the display stand in accordance with the second embodiment of the invention; and,

FIG. 10 is a second side elevational view of the display stand in accordance with the second embodiment of the invention. Features shown in broken lines are for illustrative purposes only and do not form part of the claimed design.

**1 Claim, 6 Drawing Sheets**



(56)

References Cited

U.S. PATENT DOCUMENTS

D632,903	S	*	2/2011	Paul	.....	D6/675.3
D637,421	S		5/2011	Theisen		
D637,422	S		5/2011	Theisen et al.		
D729,560	S		5/2015	Hamm		
D730,665	S	*	6/2015	Murakami	.....	D6/675.3
D733,088	S	*	6/2015	Garneau	.....	D14/172
D744,770	S		12/2015	Middendorf		
D756,137	S	*	5/2016	Abelmann	.....	D6/336
D758,105	S		6/2016	Taraczky		
D758,106	S		6/2016	Smeds		
D779,859	S	*	2/2017	Richardson	.....	D6/675.3
D785,975	S	*	5/2017	Thaler	.....	D6/673
D785,994	S	*	5/2017	Brown	.....	D6/675.3
D806,447	S		1/2018	Burton et al.		
D806,448	S		1/2018	Burton et al.		

OTHER PUBLICATIONS

“ROBO 3D Introduces New Personal 3D Printers at Select Best Buy Locations”, Point of Purchase International Network, Dec. 1, 2015,

<http://www.popin.net/robo-3d-introduces-new-personal-3d-printers-at-select-best-buy-locations/> on Jan. 31, 2017, 8 pages.  
 Hollen, Jim, “Point of Purchase Design for HD Digital Audio System—One of Our All-Time Coolest POP Displays”, Rich Limited, Apr. 26, 2016, retrieved from <http://blog.richltd.com/blog/point-of-purchase-design-for-hd-digital-audio-system-one-of-our-all-time-coolest-pop-displays> on Oct. 26, 2017, 8 pages.  
 Kready, Sean, “Chromebooks: best buy display: The (always) new computer”, goCHRoMEgle stuff, Jul. 23, 2012, Retrieved from <http://gochromeglestuff.blogspot.com/2012/07/chromebooks-best-buy-display-always-new.html> on Jan. 31, 2017, 5 pages.  
 Mick, Jason, “Fitbit’s \$249 Surge Fitness Watch Packs 7-Day Battery Life, Two Other Models Also Air”, Daily Tech, Oct. 27, 2014, retrieved from <http://www.dailytech.com/Fitbits+249+Surge+Fitness+Watch+Packs+7Day+Battery+Life+Two+Other+Models+Also+Air/article36782.htm> on Oct. 26, 2017, 6 pages.  
 Mora, Sergio, “Samsung TV LCD Exhibition”, Aug. 9, 2014, Retrieved from <http://www.coroflot.com/sergiomora/SAMSUNG-TV-LCD-EXHIBITION> on Jan. 31, 2017, 3 pages.

\* cited by examiner

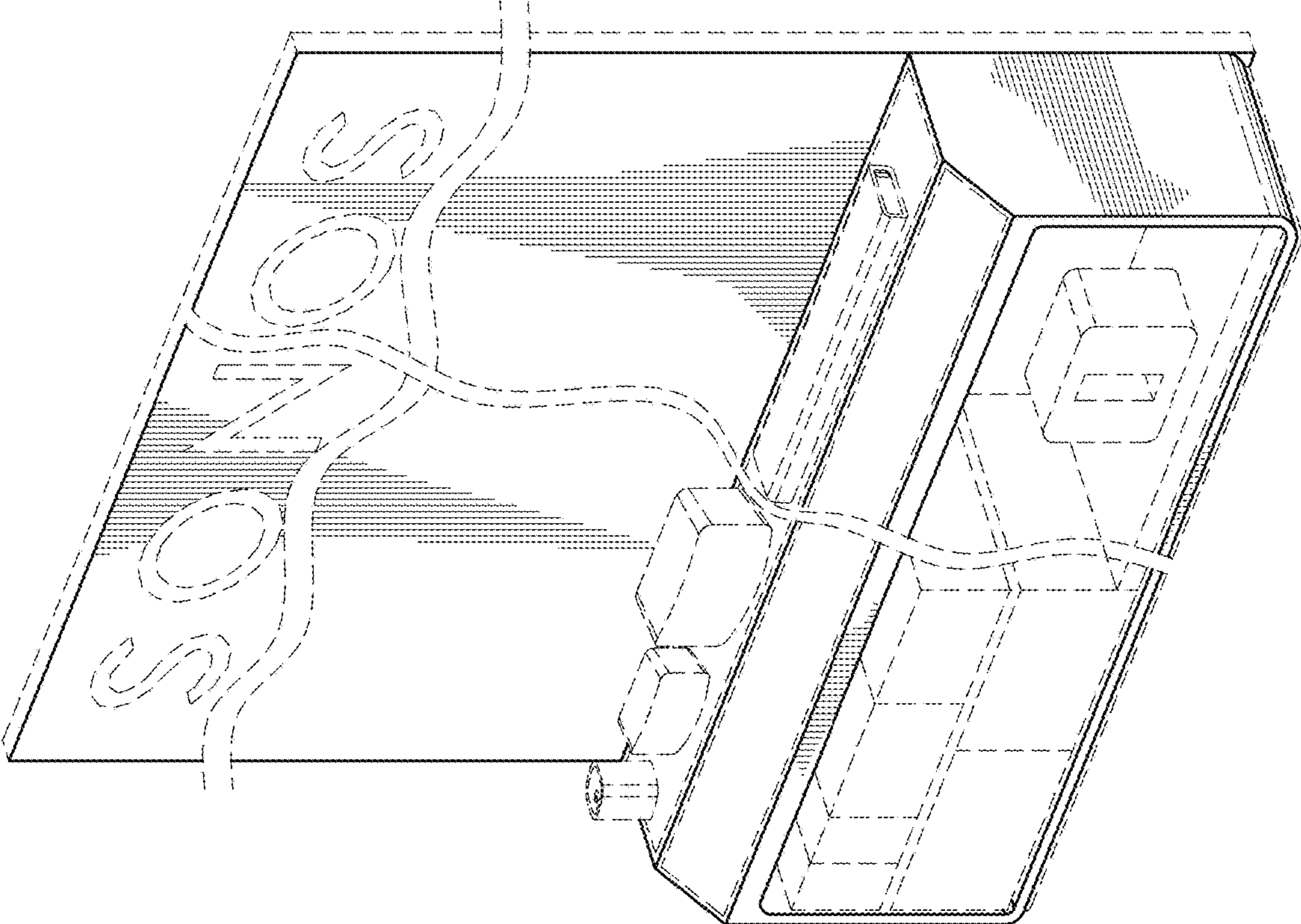


FIG. 1

FIG. 3

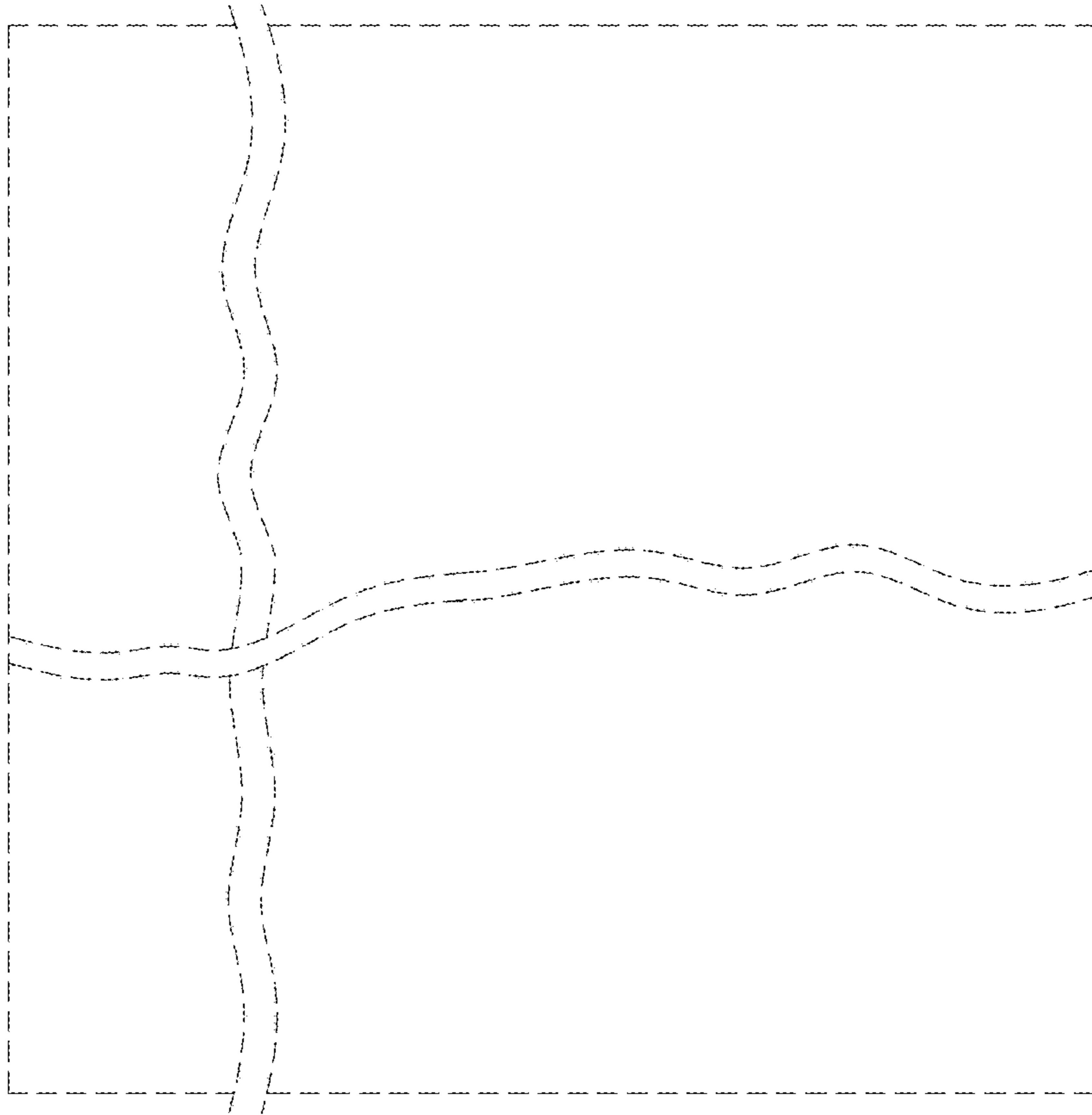


FIG. 2

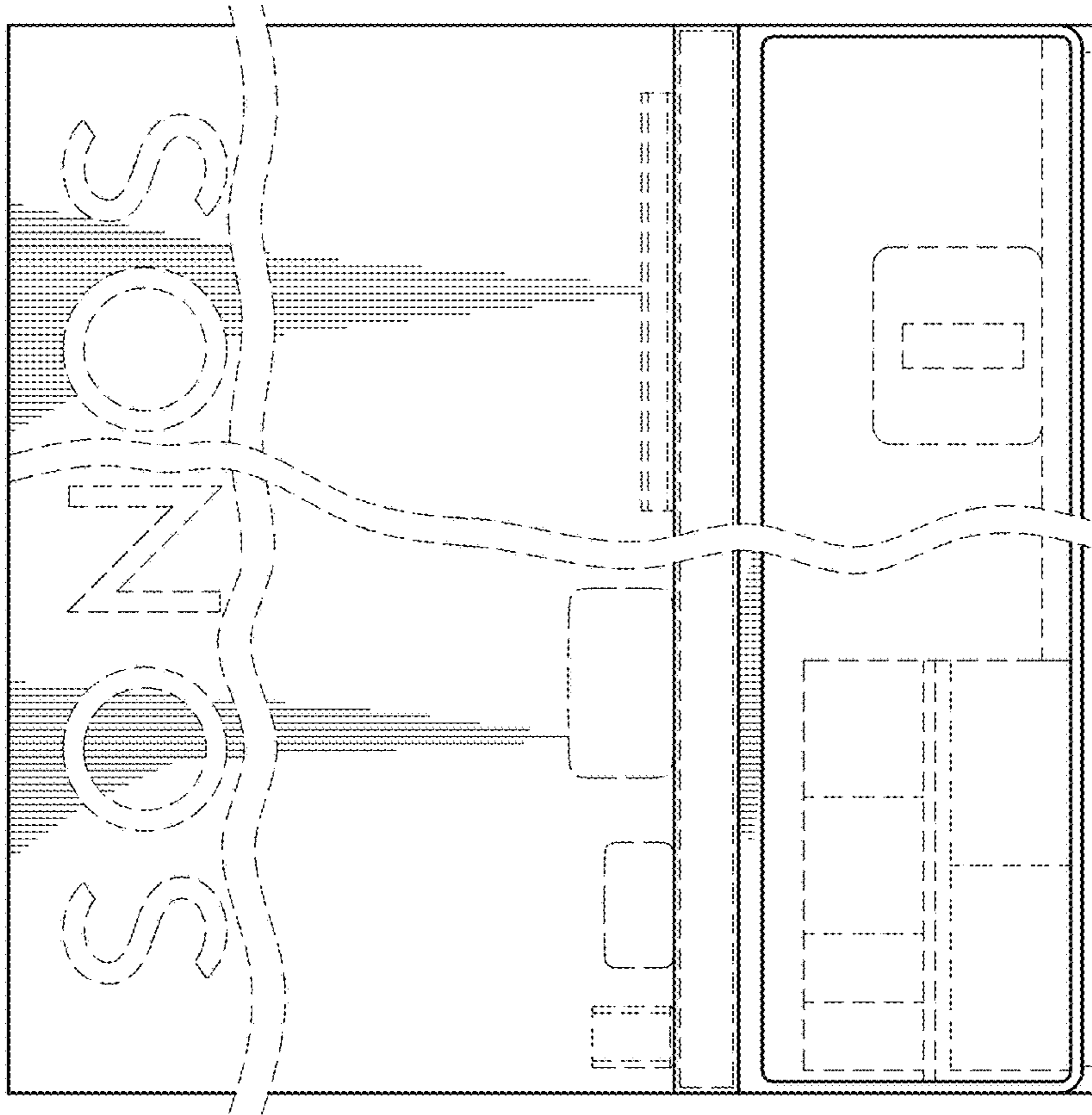


FIG. 5

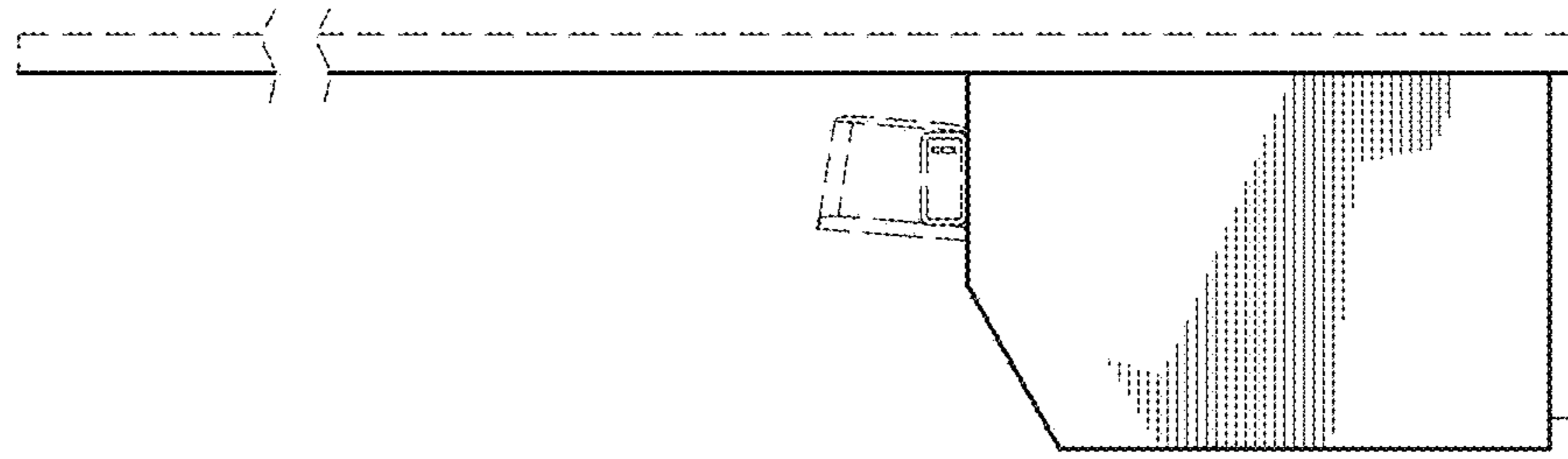
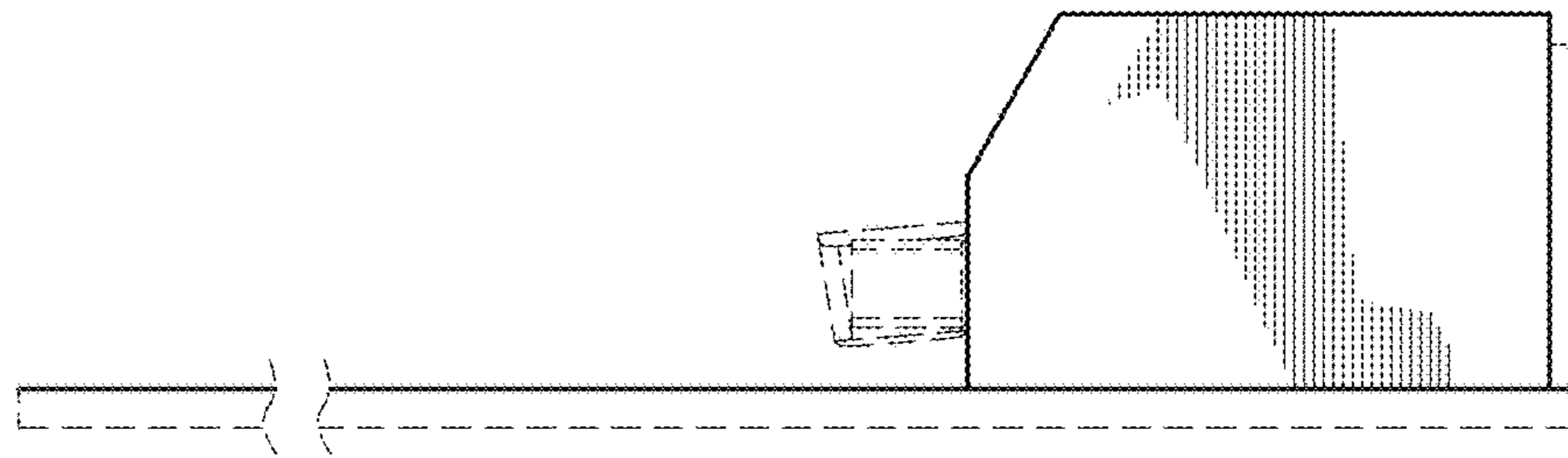


FIG. 4



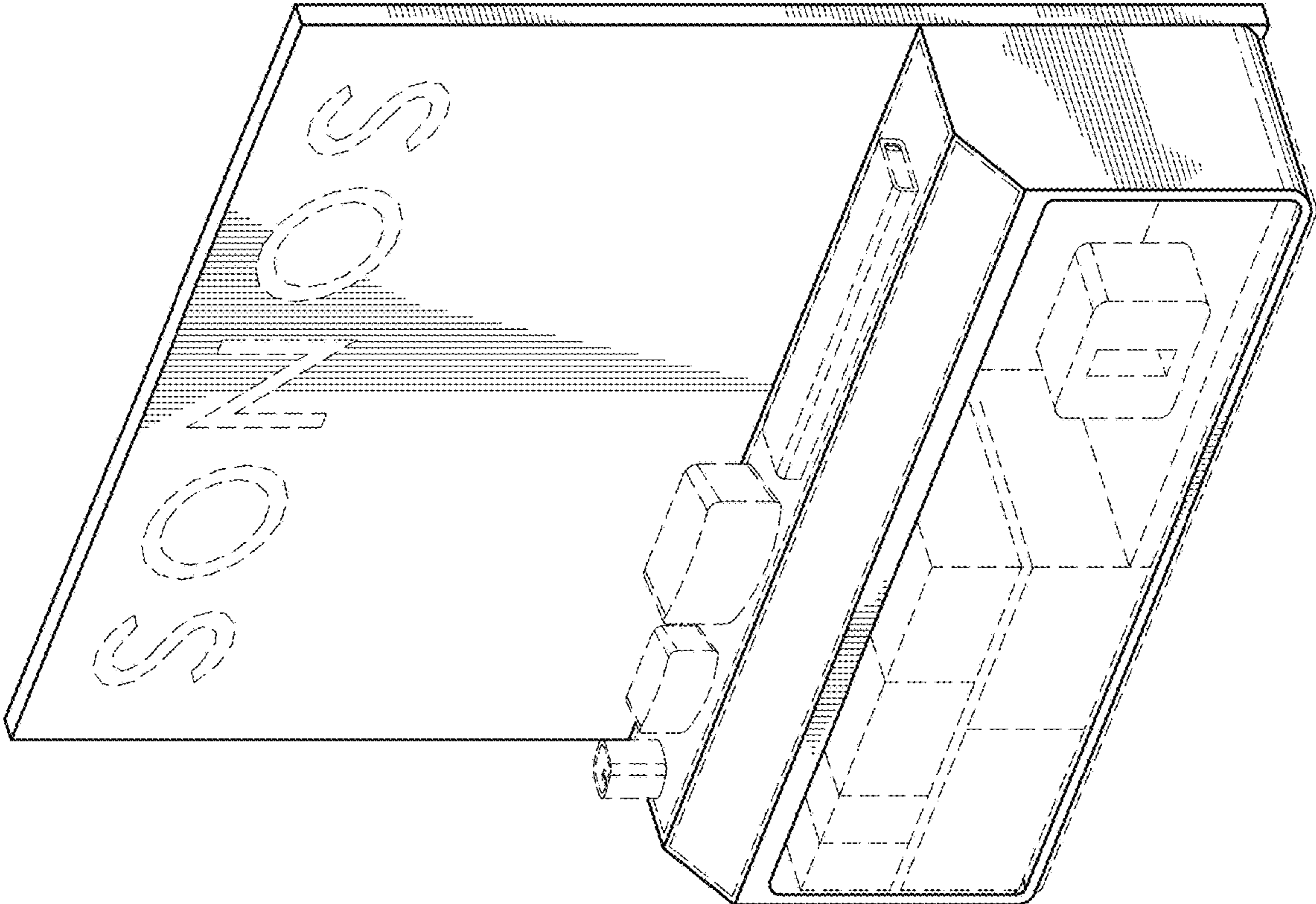


FIG. 6

FIG. 8

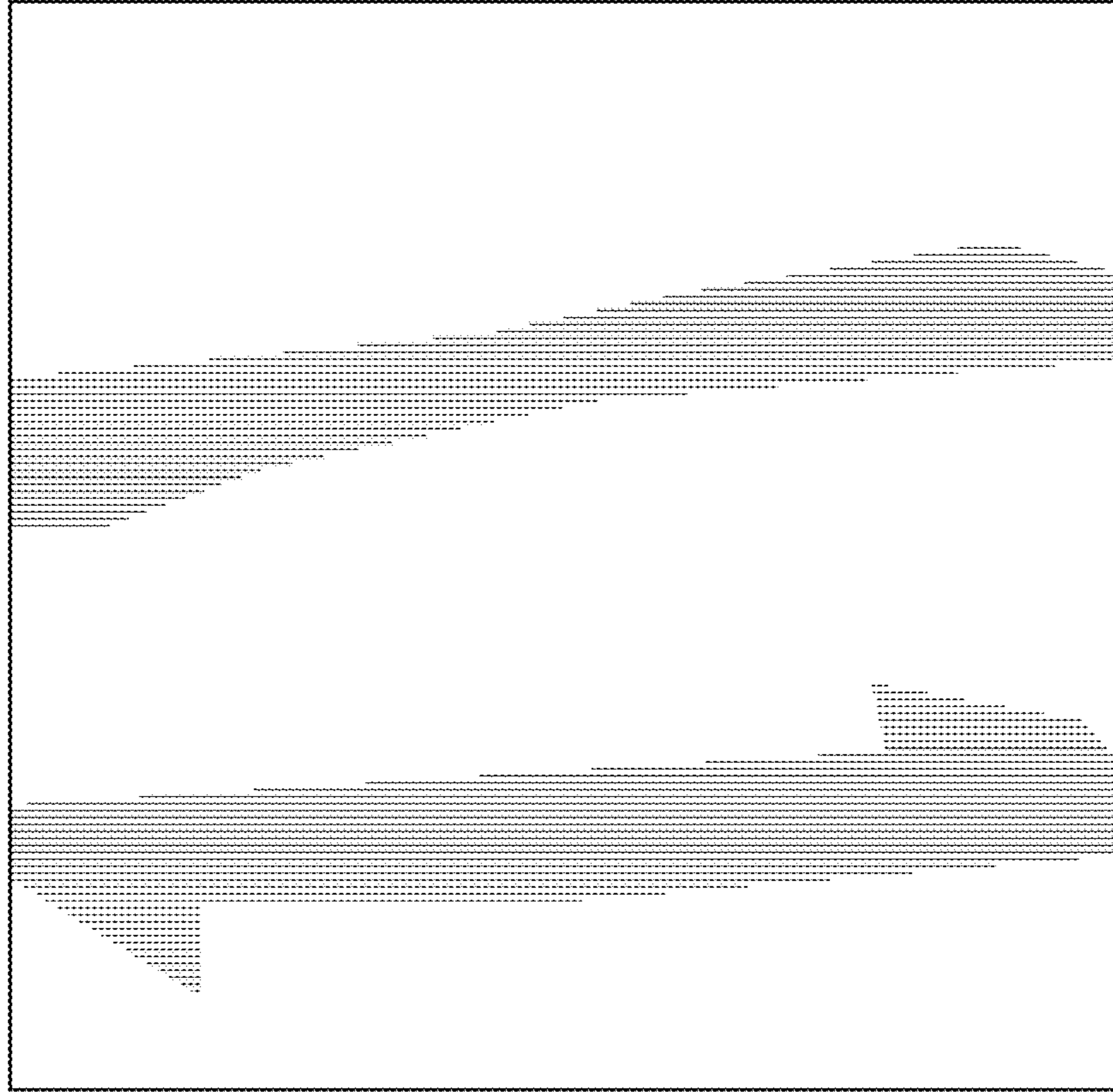


FIG. 7

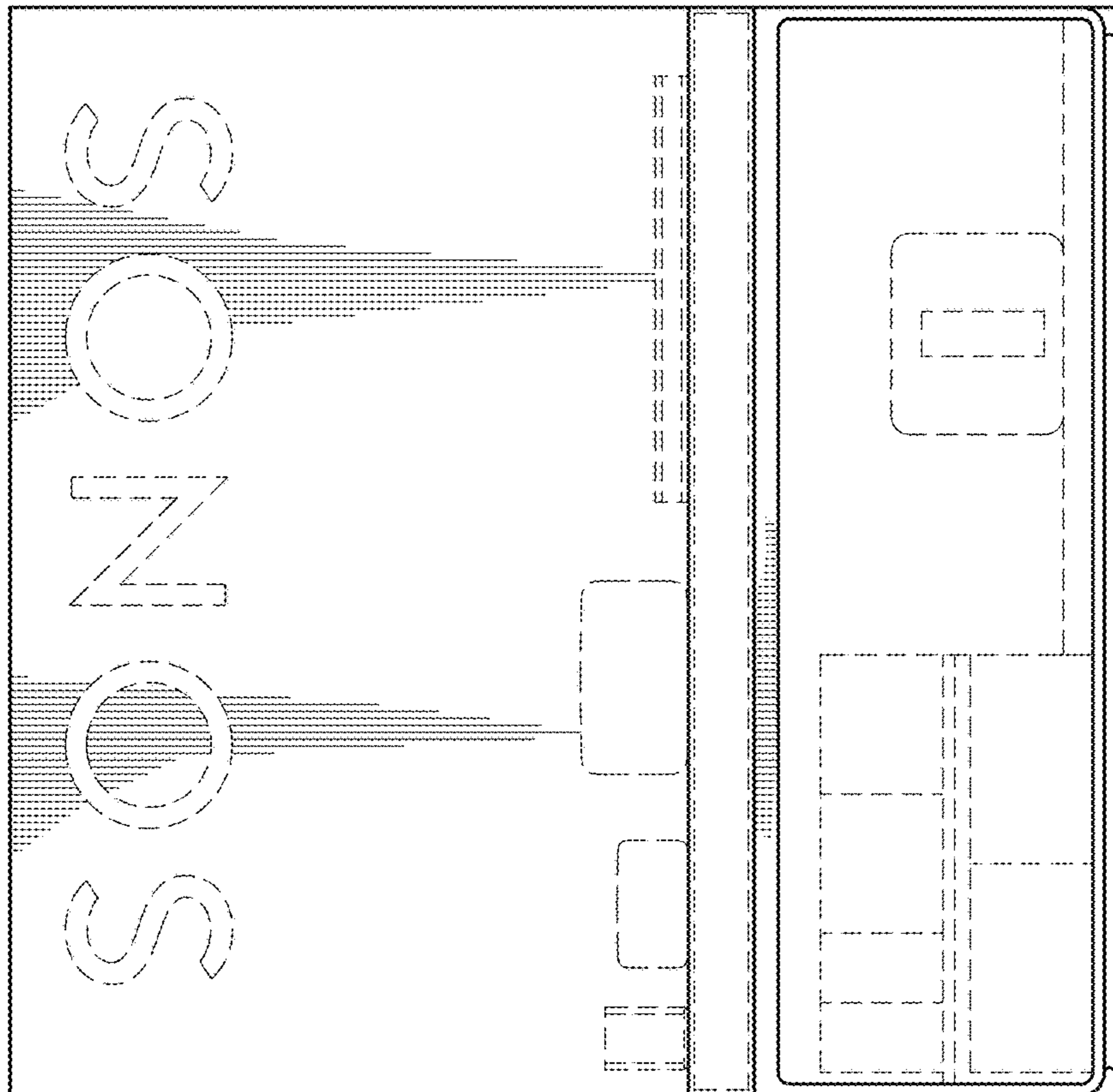


FIG. 10

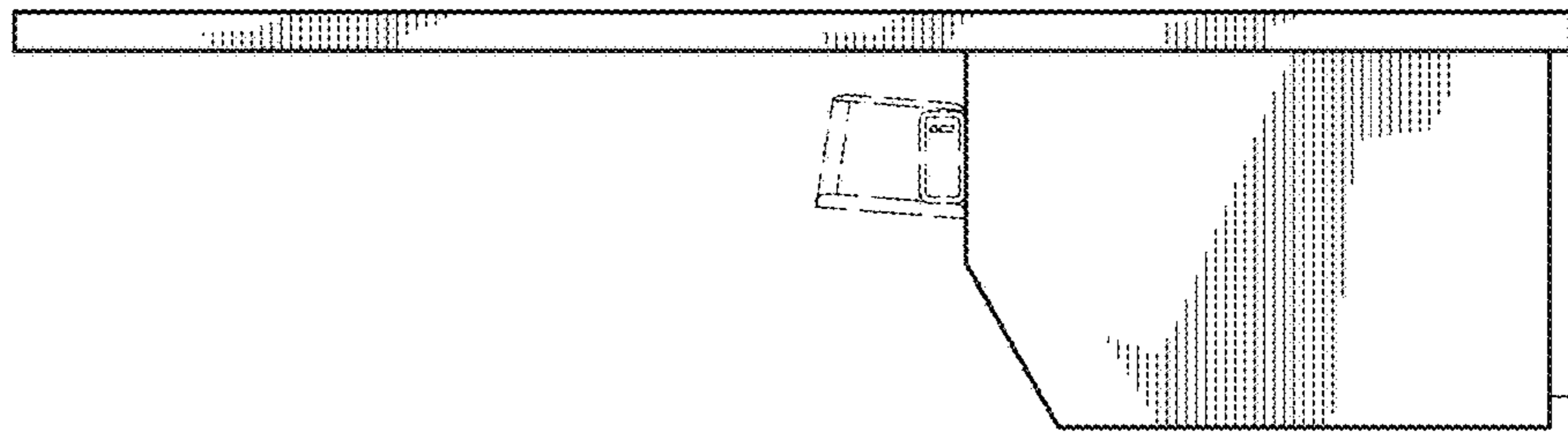


FIG. 9

