



US00D815857S

(12) **United States Design Patent** (10) **Patent No.:** **US D815,857 S**
Herring et al. (45) **Date of Patent:** **** Apr. 24, 2018**

(54) **UNDERDESK STORAGE UNIT**
(71) Applicant: **Spindle 360, Inc.**, Georgetown, TX (US)
(72) Inventors: **Jason Herring**, Georgetown, TX (US); **Shane Gilbreath**, Georgetown, TX (US)
(**) Term: **15 Years**
(21) Appl. No.: **29/572,309**
(22) Filed: **Jul. 27, 2016**
(51) **LOC (11) Cl.** **06-04**
(52) **U.S. Cl.**
USPC **D6/574**
(58) **Field of Classification Search**
USPC D6/566-574, 705, 705.6; 297/239, 284.4, 297/440.22, 452.18, 452.24, 452.26, 297/452.28, 452.32-452.33, 452.37; D7/631, 637-641; D19/75, 77, 81-86, D19/90, 92; 211/41.4, 70.7, 85.31, 90.03, 211/106, 126.8, 126.9, 133.2, 133.5; 220/8, 485-488, 491, 507, 528, 529; 248/37.3, 37.6, 153, 175; D12/345; D15/89, 90, 91; D34/35; D3/297, 304, D3/313; D14/447; 312/108, 348.3; D24/232
CPC . A47B 88/00; A47B 88/20; A47F 7/00; A47F 7/14; A47G 21/00; A47G 21/16; B65D 1/34; B65D 1/36; B65D 21/046; B65D 21/048; G09F 1/14
See application file for complete search history.

D455,921 S * 4/2002 Quinn D3/304
6,493,917 B1 * 12/2002 Sunka A47B 88/90
220/528
D472,711 S * 4/2003 Chen D3/313
6,871,921 B2 * 3/2005 Ernst A47B 88/90
220/529
D579,662 S * 11/2008 Dretzka D3/304
D588,839 S * 3/2009 Klein D6/705.6
D610,848 S * 3/2010 Yang D6/705
D646,797 S * 10/2011 Oonuma D24/232

(Continued)

Primary Examiner — Vy Koenig
Assistant Examiner — Keith Wilson
(74) *Attorney, Agent, or Firm* — Kevin Keener; Keener and Associates P.C.

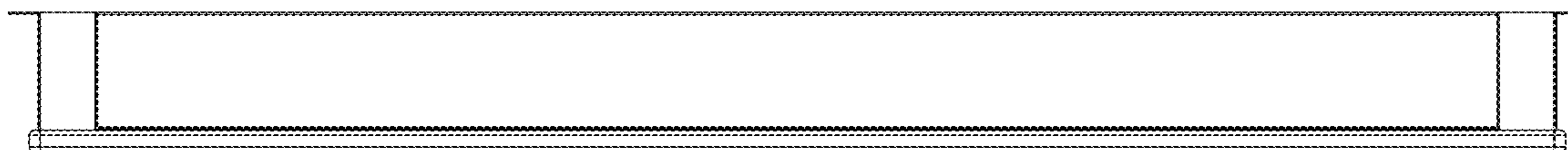
(57) **CLAIM**

The ornamental design for an underdesk storage unit, as shown and described.

DESCRIPTION

FIG. 1 is a front view of an underdesk storage unit;
FIG. 2 is a right view thereof;
FIG. 3 is a top view thereof;
FIG. 4 is a rear view thereof;
FIG. 5 is a bottom view thereof;
FIG. 6 is a front top perspective view thereof;
FIG. 7 is a front bottom perspective view thereof;
FIG. 8 is a front top perspective view of the underdesk storage unit on a desk;
FIG. 9 is a rear top perspective view of the underdesk storage unit on a desk;
FIG. 10 is a front top perspective exploded view of the underdesk storage unit on a desk; and,
FIG. 11 is a front bottom perspective exploded view of the underdesk storage unit on a desk.
The broken lines in the drawings depict environmental subject matter, specifically a desk, that forms no part of the claimed design.

1 Claim, 11 Drawing Sheets



(56)

References Cited

U.S. PATENT DOCUMENTS

D672,395	S *	12/2012	Chuang	D19/77
D689,939	S *	9/2013	Hu	D19/77
D692,265	S *	10/2013	Hertaus	D6/705.6
D706,315	S *	6/2014	Seo	D15/89
D730,957	S *	6/2015	You	D15/91
D733,990	S *	7/2015	Miggels	D34/35
D766,634	S *	9/2016	Nilsson	D6/705
D785,328	S *	5/2017	Yamamoto	D3/297
D785,331	S *	5/2017	Yamamoto	D3/297
D790,267	S *	6/2017	Daw	D6/705
D795,655	S *	8/2017	Hsu	D7/637
D799,406	S *	10/2017	Sethapun	D12/345
9,795,761	B2 *	10/2017	Lockwood	A61M 25/002
D802,631	S *	11/2017	Seo	D15/90
9,808,596	B2 *	11/2017	Tomes	A61M 25/002
2004/0245254	A1 *	12/2004	Rosenberg	A47B 88/90 220/507
2005/0162050	A1 *	7/2005	Berger	A47B 88/994 312/108
2007/0273258	A1 *	11/2007	Ernst	A47B 88/90 312/348.3

* cited by examiner



FIG. 1

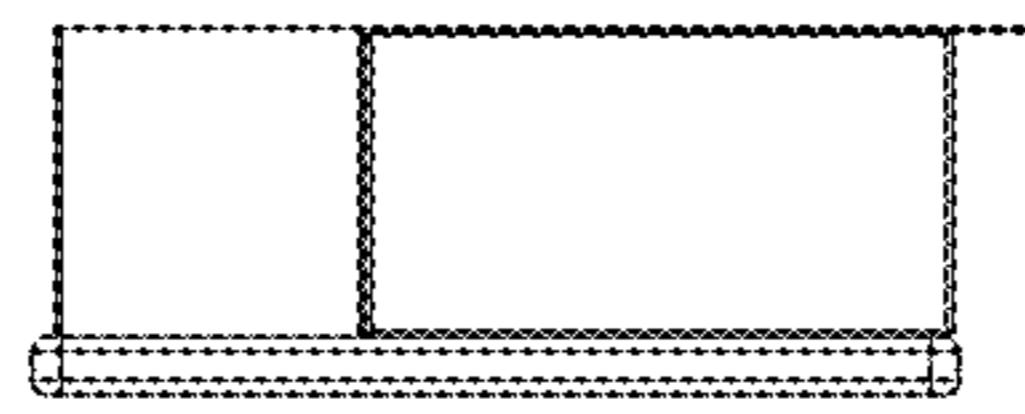


FIG. 2

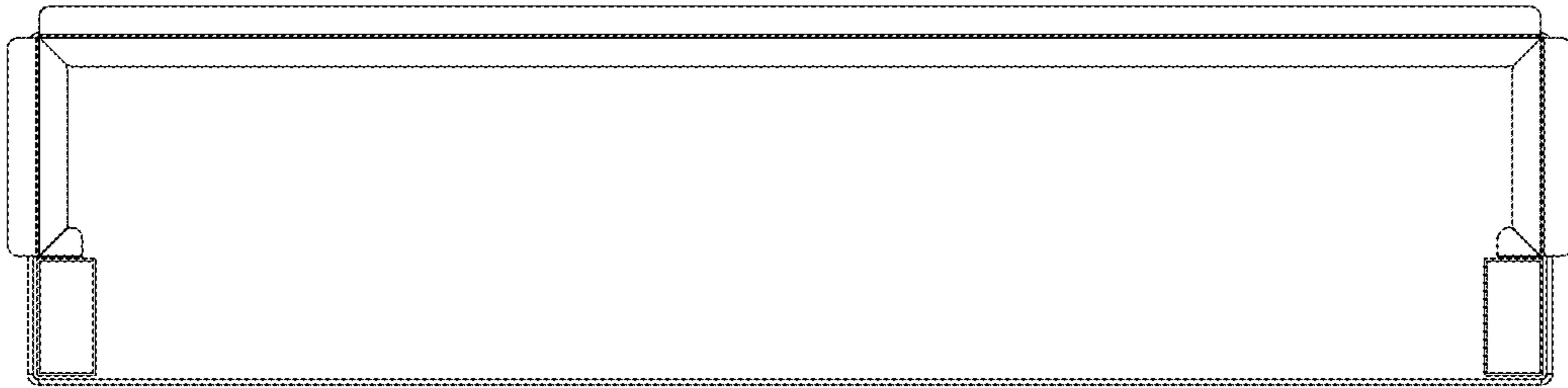


FIG. 3



FIG. 4

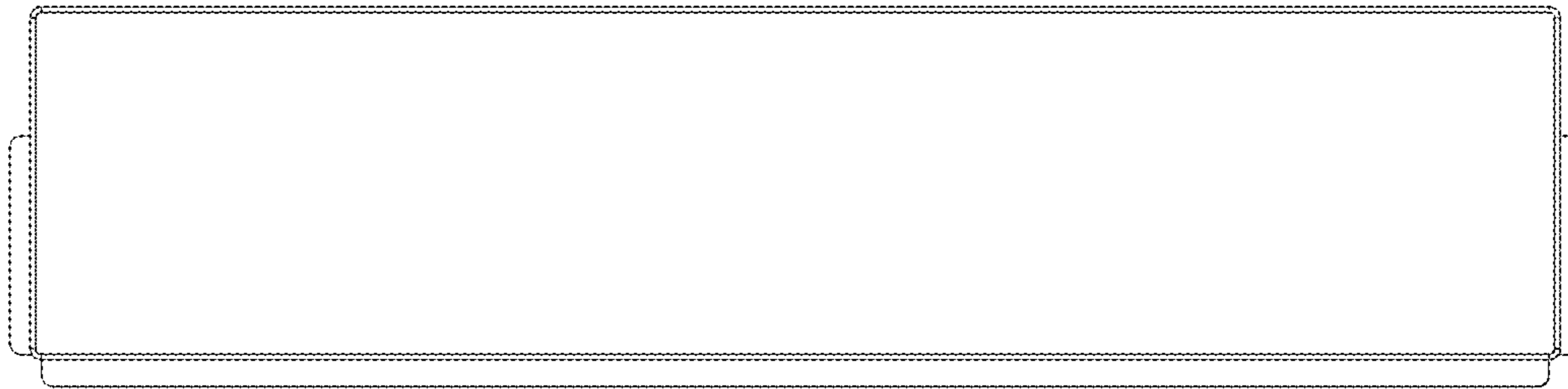


FIG. 5

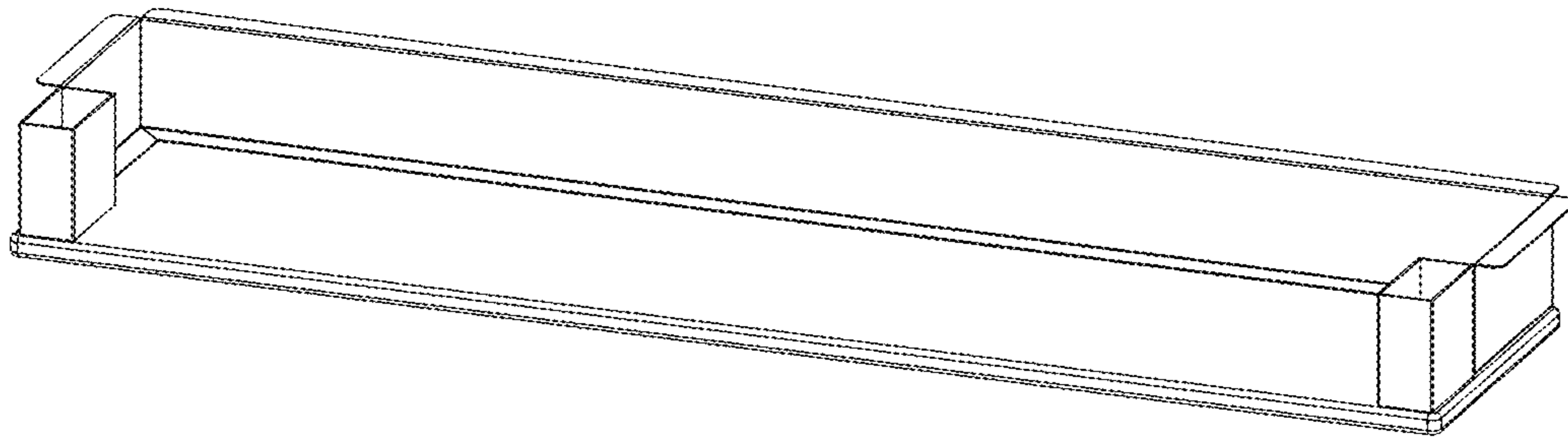


FIG. 6

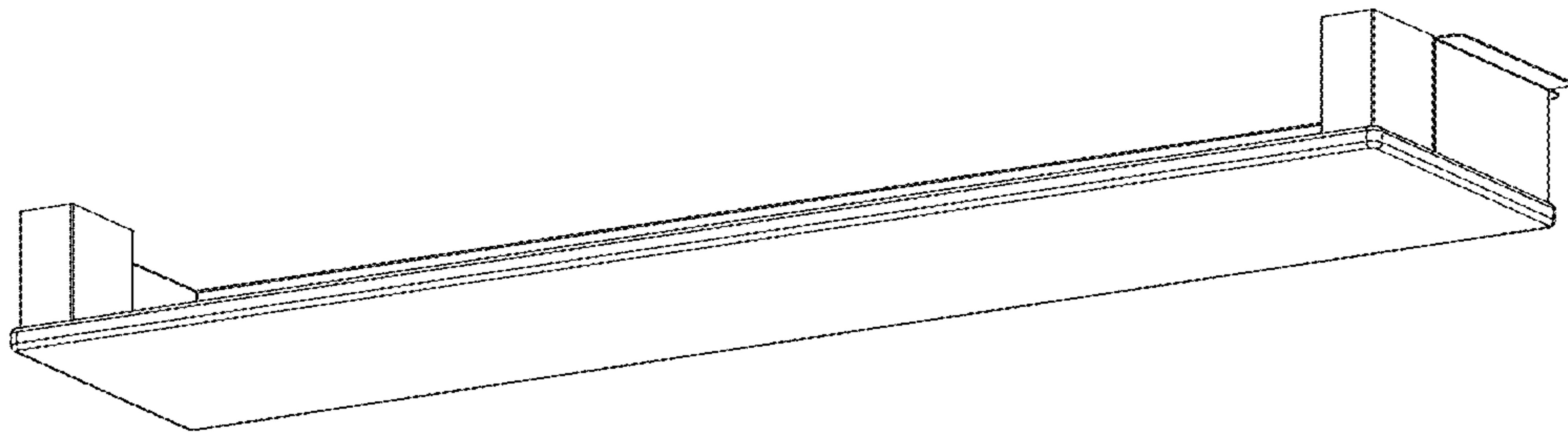


FIG. 7

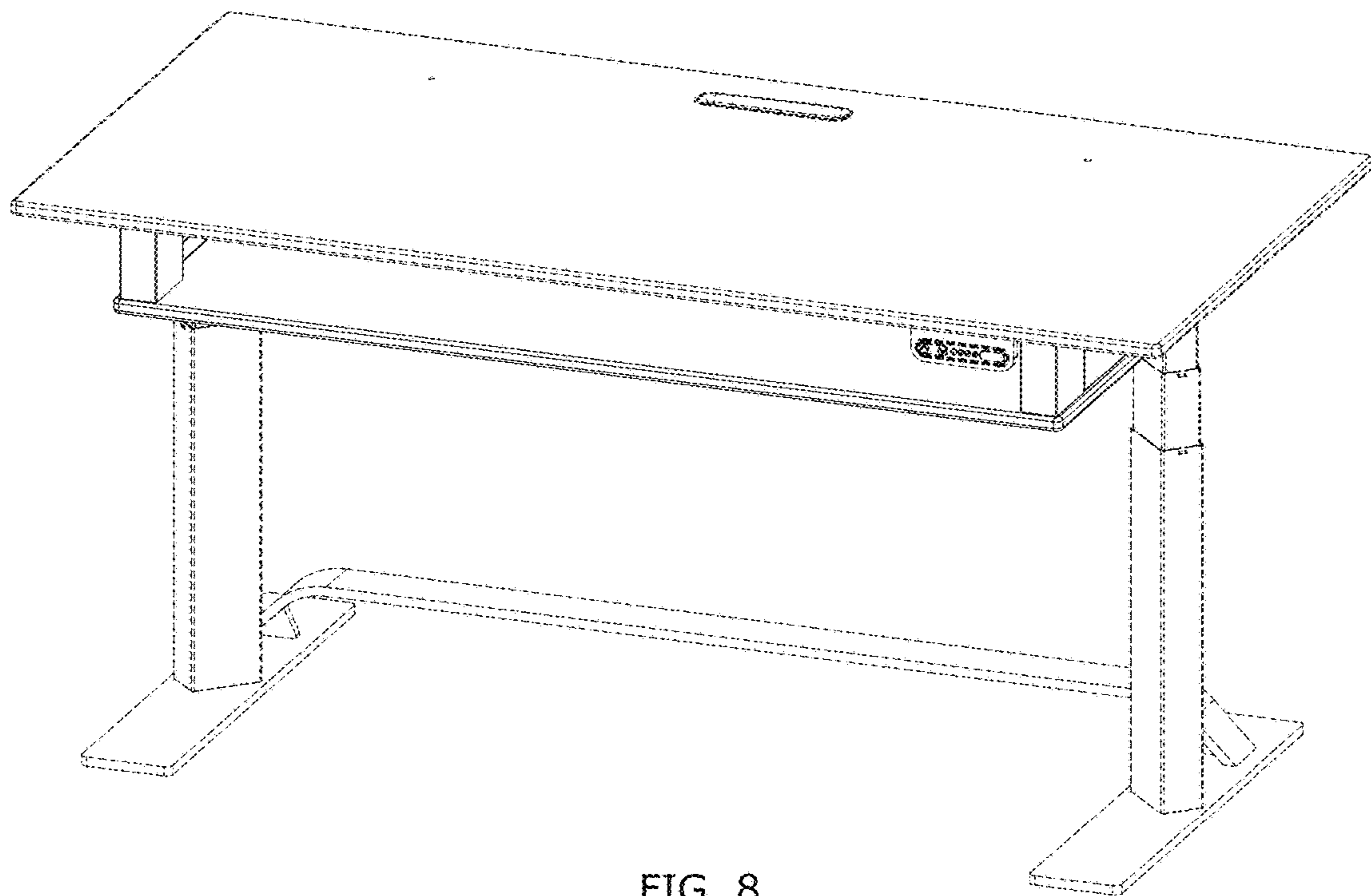


FIG. 8

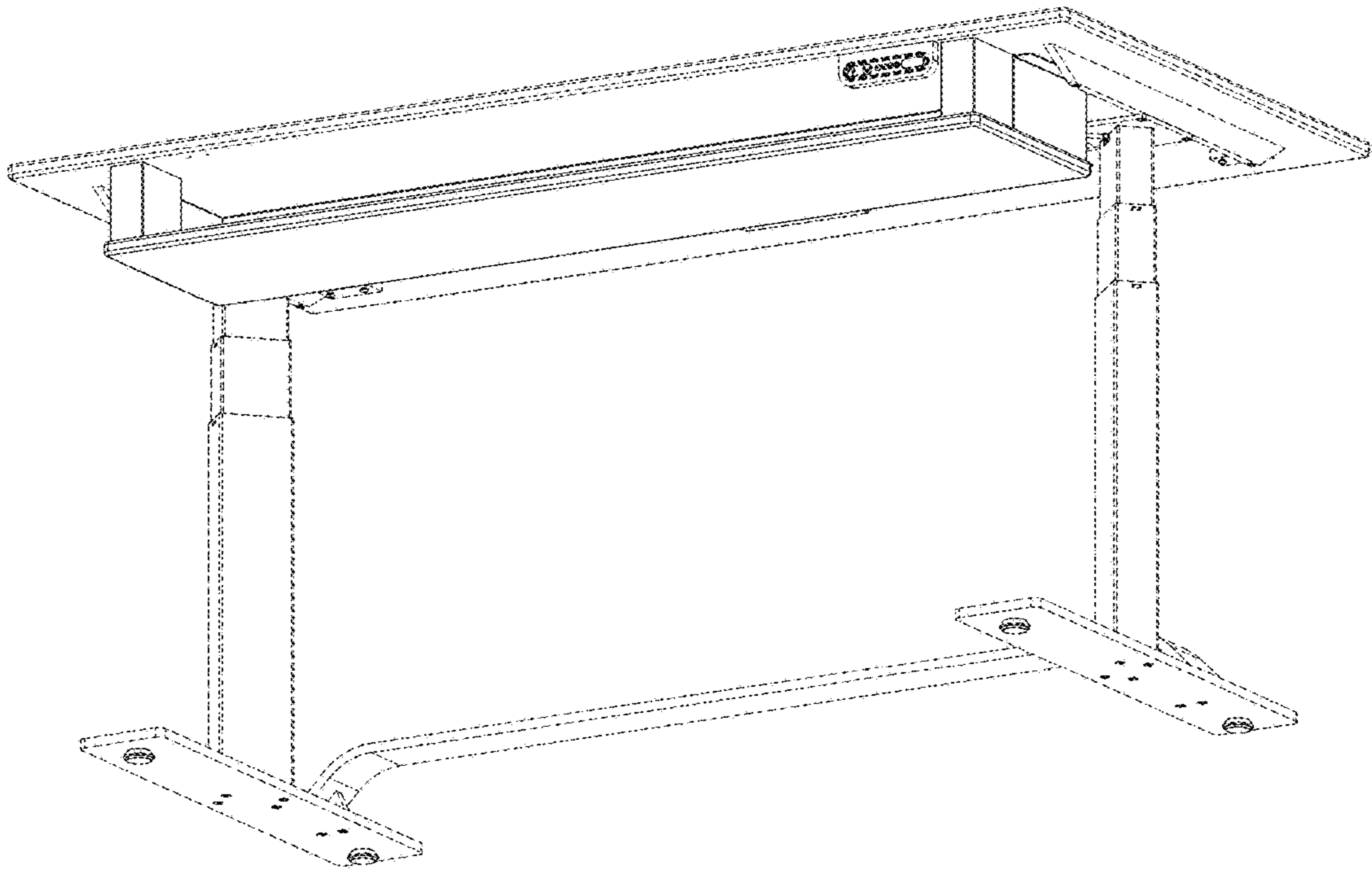


FIG. 9

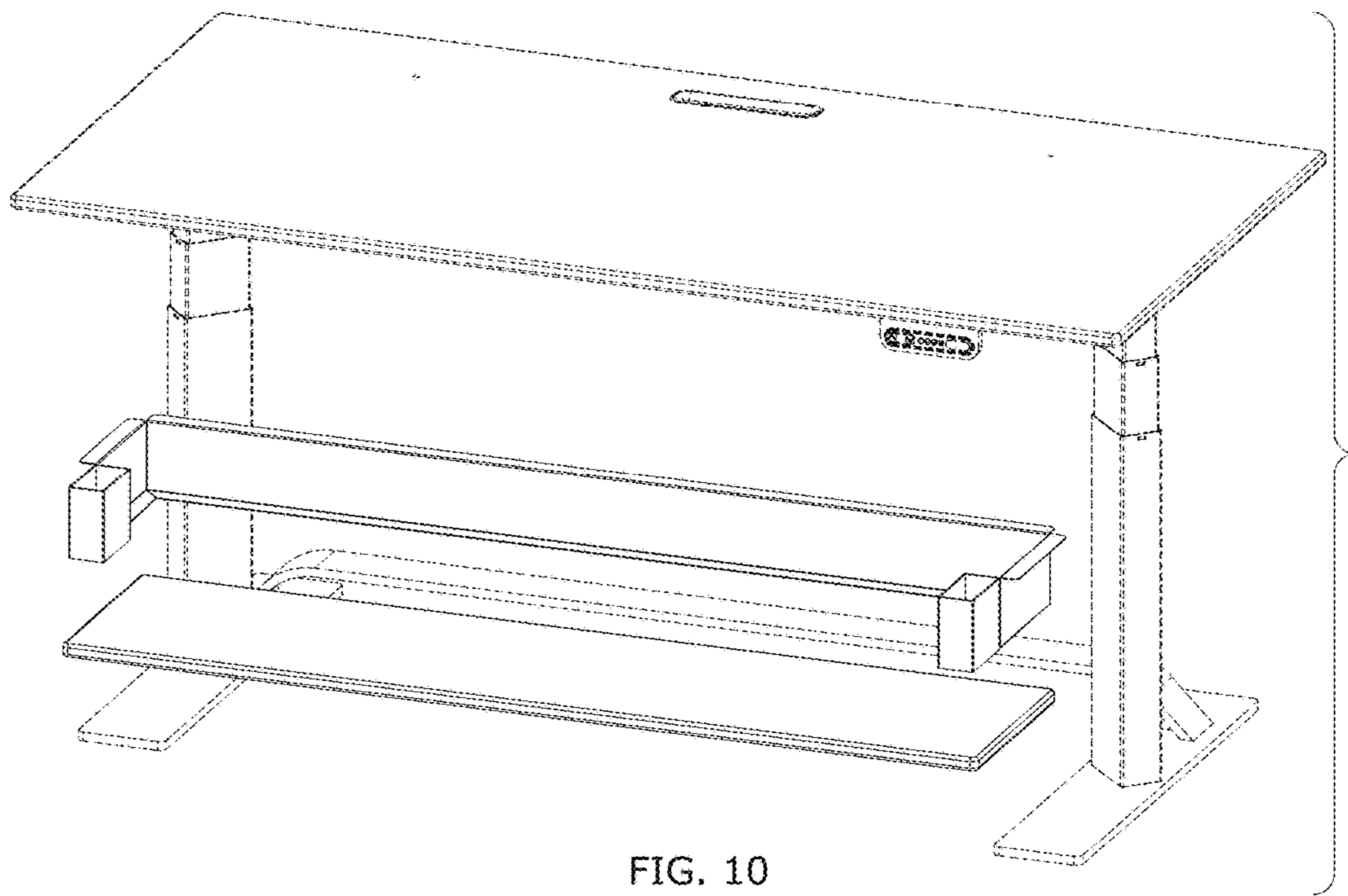


FIG. 10

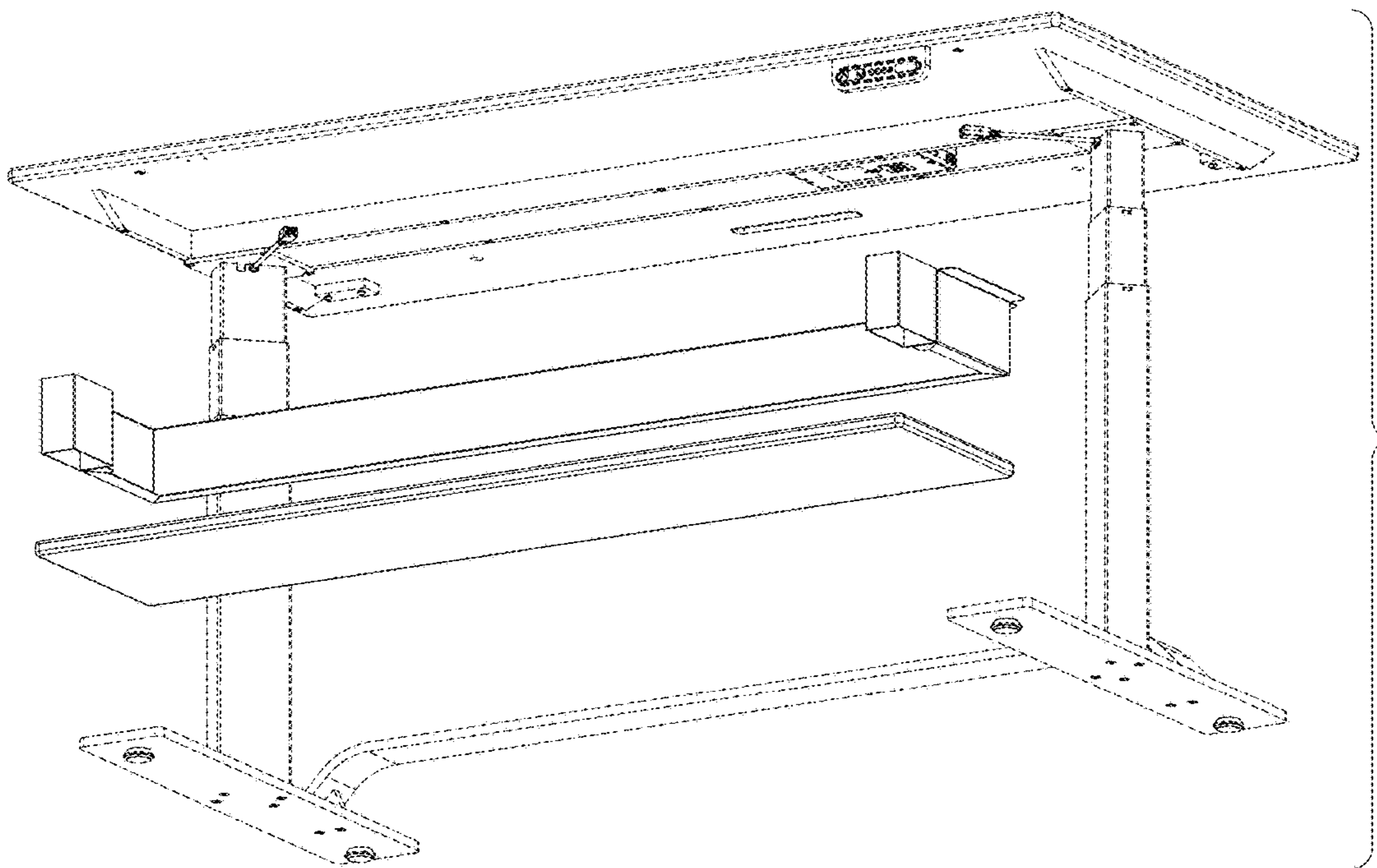


FIG. 11