



US00D815856S

(12) **United States Design Patent**
Glidewell

(10) **Patent No.:** **US D815,856 S**

(45) **Date of Patent:** **** Apr. 24, 2018**

- (54) **HANGING RACK**
- (71) Applicant: **Kathleen A. Glidewell**, The Colony, TX (US)
- (72) Inventor: **Kathleen A. Glidewell**, The Colony, TX (US)
- (**) Term: **15 Years**
- (21) Appl. No.: **29/590,128**
- (22) Filed: **Jan. 6, 2017**
- (51) **LOC (11) Cl.** **06-06**
- (52) **U.S. Cl.**
USPC **D6/567; D6/548; D6/513**
- (58) **Field of Classification Search**
USPC D6/567, 546-550, 512-525; 211/13.1, 211/16, 85.5, 86.01, 87.01, 88.04, 100, 211/105.1, 105.2, 106, 113, 123, 181.1, 211/182-183; 248/49, 175, 176.1, 200, 248/201, 205.1, 251, 302, 309.1, 315; D8/300, 315-321, 354, 363, 373, 380; 108/28-29; 242/570, 590, 595-598; D25/45
CPC A01N 59/00; A01N 25/04; A01N 25/24; D06F 39/12; G06Q 10/087
See application file for complete search history.

- D324,139 S 2/1992 Frazier
- 5,172,816 A 12/1992 Kline et al.
- D453,436 S * 2/2002 Hoernig D6/548
- D453,649 S * 2/2002 Hoernig D6/548
- D471,747 S * 3/2003 Kollner D6/513
- D477,485 S * 7/2003 Hoernig D6/548
- D477,737 S * 7/2003 Hoernig D6/548
- D492,528 S * 7/2004 Graves D6/548
- D493,317 S * 7/2004 Hoernig D6/548
- 7,237,687 B1 7/2007 Abdi et al.
- 7,249,679 B2 7/2007 Klein
- D569,153 S * 5/2008 Bickler D6/548
- D570,631 S * 6/2008 Goodman D6/514
- D575,089 S * 8/2008 Krumpke D6/548
- D598,218 S 8/2009 Siegel
- D668,493 S * 10/2012 Krumpke D6/548

(Continued)

Primary Examiner — David Muller
Assistant Examiner — Nathan Johnston
 (74) *Attorney, Agent, or Firm* — Hemingway & Hansen, LLP; D. Scott Hemingway

(57) **CLAIM**

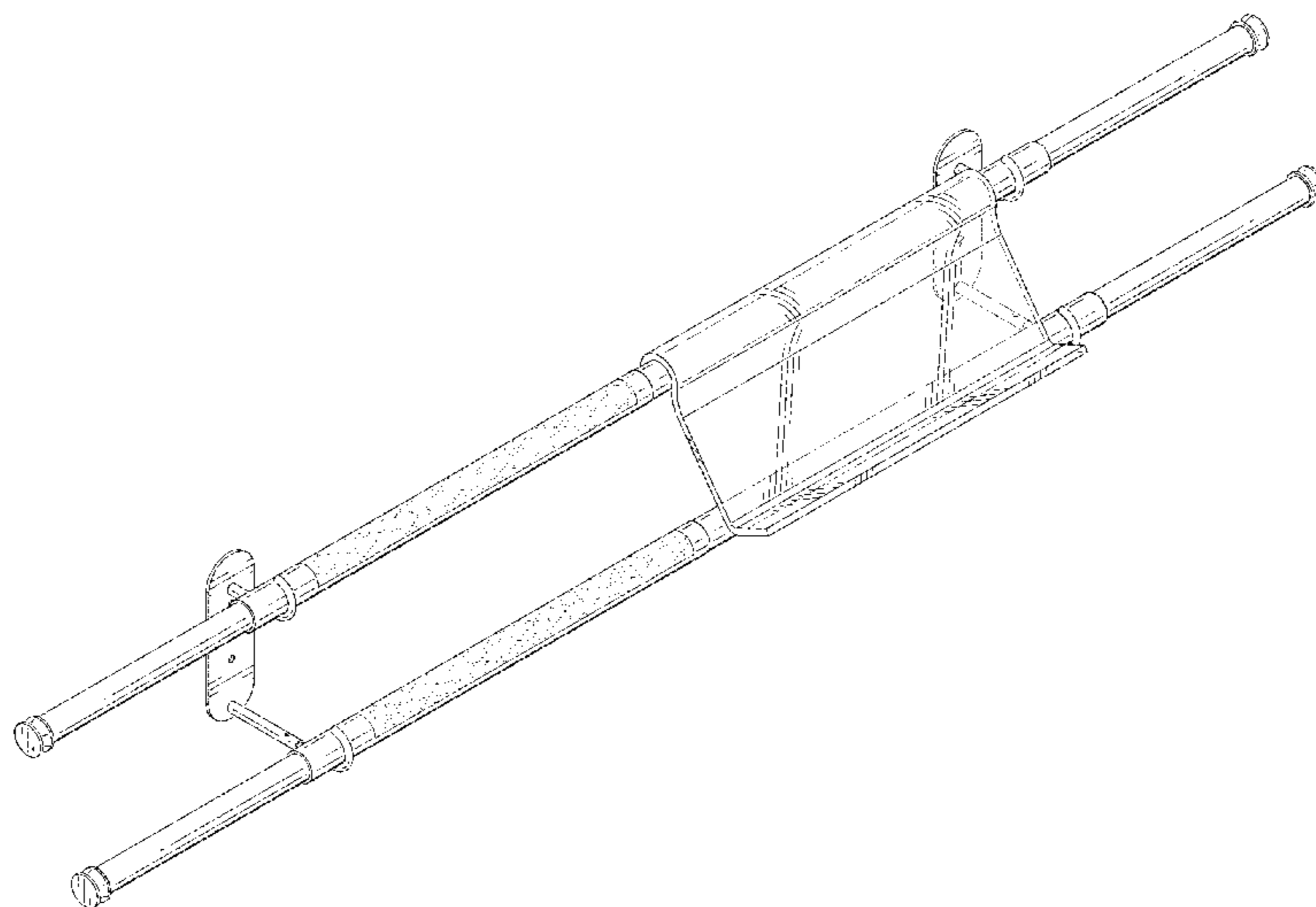
The ornamental design for a hanging rack design, as shown and described.

DESCRIPTION

FIG. 1 is a front perspective view of my new hanging rack design;
 FIG. 2 is a front elevation view thereof;
 FIG. 3 is a rear elevation view thereof;
 FIG. 4 is a right side elevation view thereof;
 FIG. 5 is a left side elevation view thereof;
 FIG. 6 is a top plan view thereof; and,
 FIG. 7 is a bottom plan view thereof.
 Any broken lines on the drawing, if any exist on the above-identified Figures, are for the purpose of illustrating objects that may be supported on the claimed design and forms no part of the claimed design.

1 Claim, 3 Drawing Sheets

- (56) **References Cited**
U.S. PATENT DOCUMENTS
- 953,130 A 3/1910 Fellows
- 1,386,775 A 8/1921 Fulford
- 1,542,181 A 6/1925 Sherman
- 1,595,940 A 8/1926 Inman
- 1,733,487 A 10/1929 Hackley
- 1,863,204 A 6/1932 Miller
- 1,874,056 A 8/1932 Matallana
- 2,090,108 A 8/1937 Cicero
- 3,468,426 A 9/1969 Loewy
- 4,896,778 A 1/1990 Ferdinand et al.



(56)

References Cited

U.S. PATENT DOCUMENTS

D668,900 S * 10/2012 Romero D6/548
D671,777 S * 12/2012 Kwok D6/548

* cited by examiner

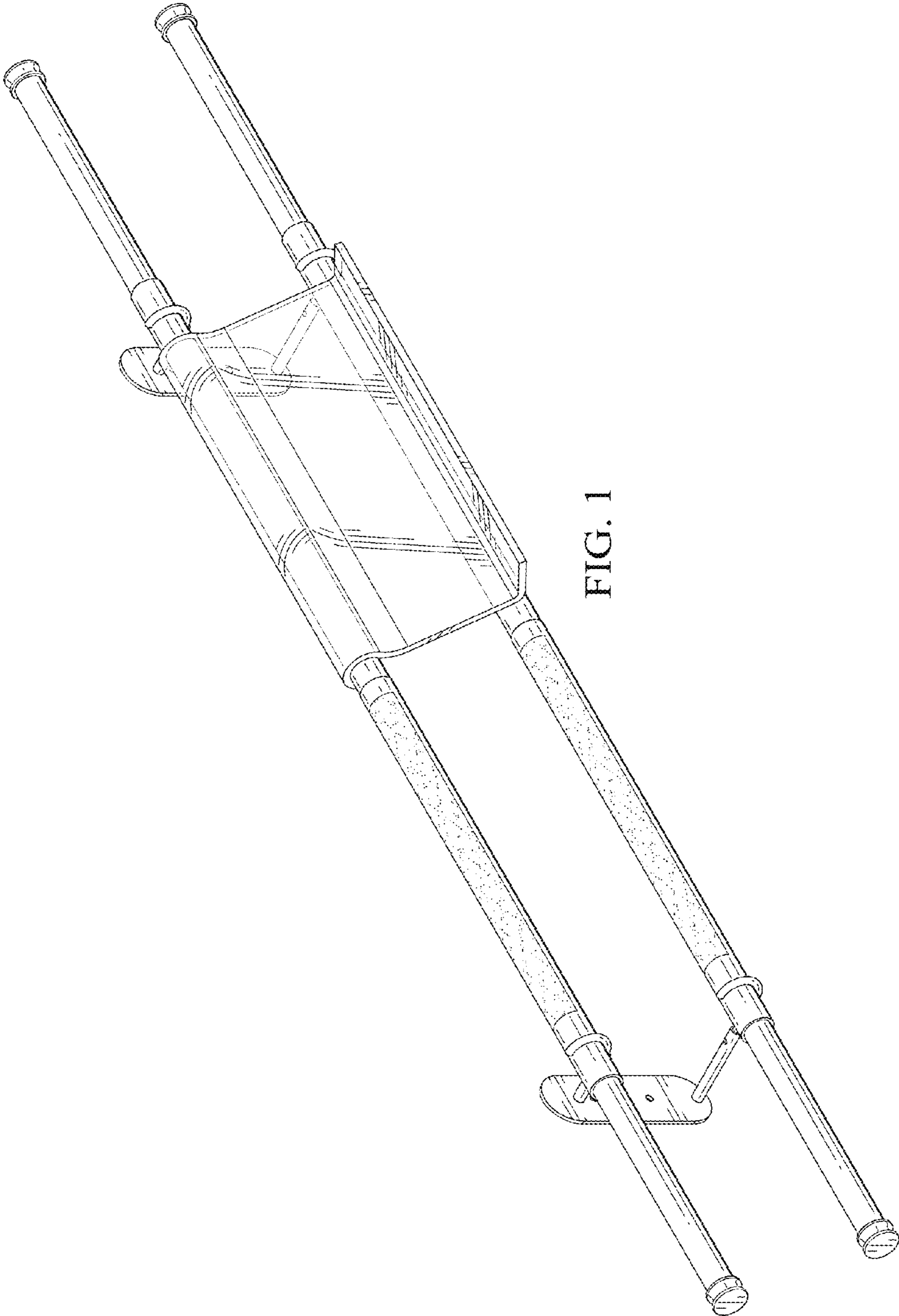


FIG. 1

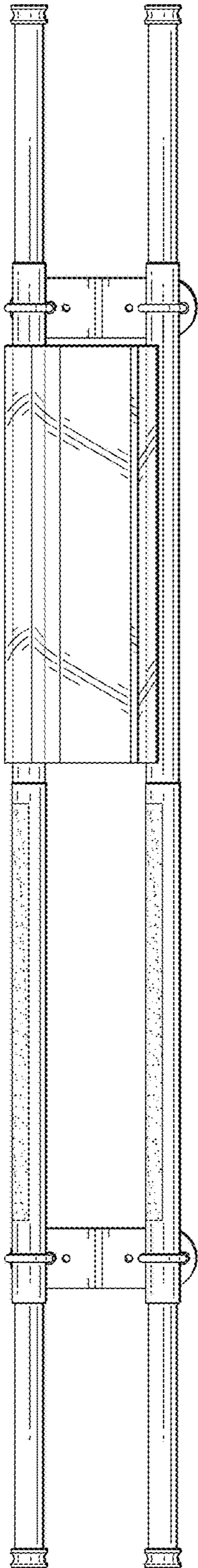


FIG. 2

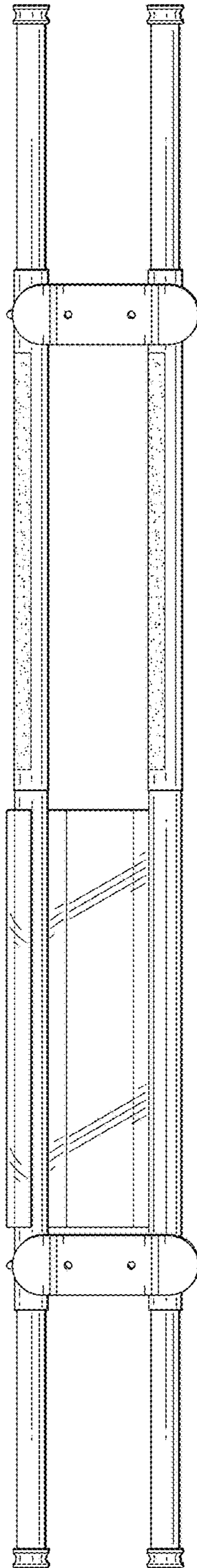


FIG. 3

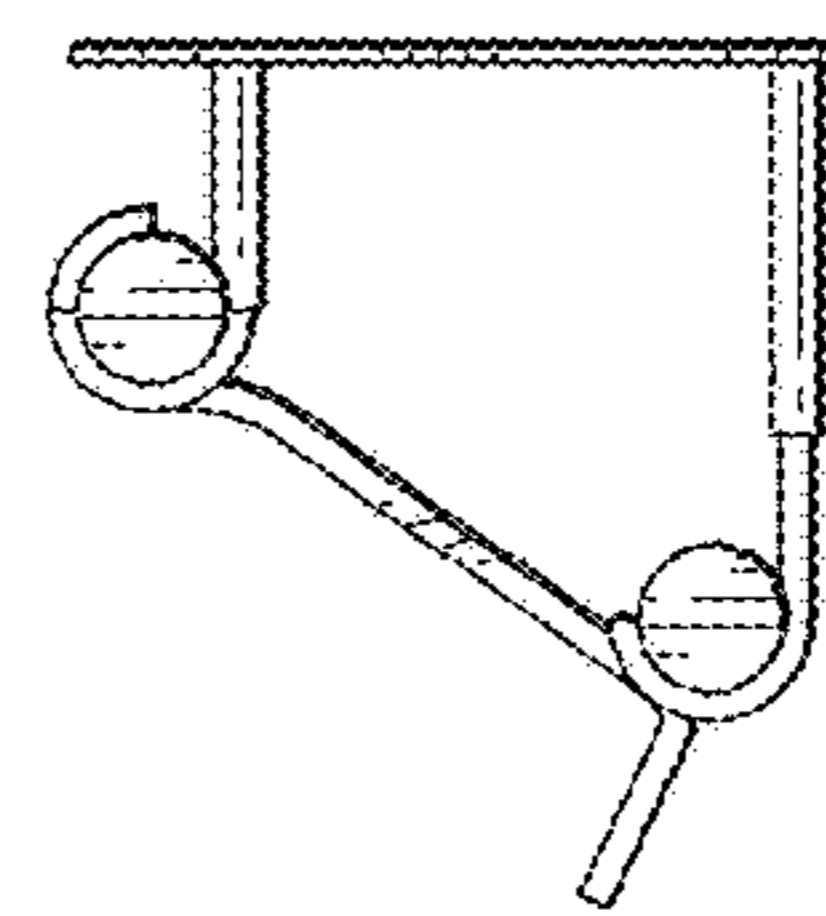


FIG. 4

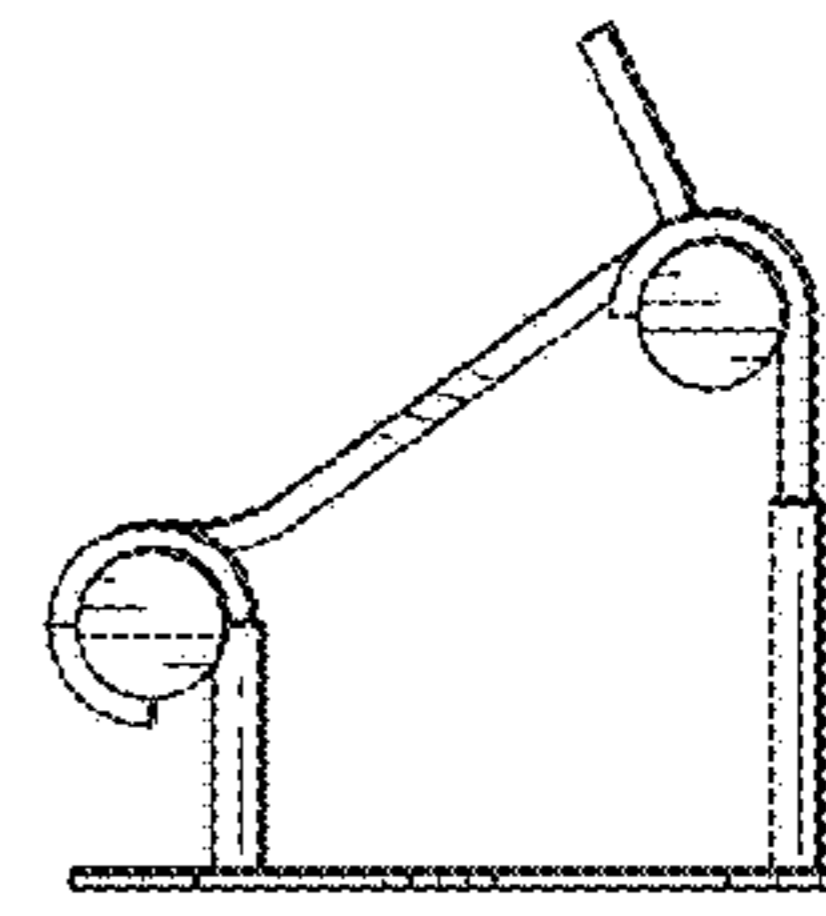


FIG. 5

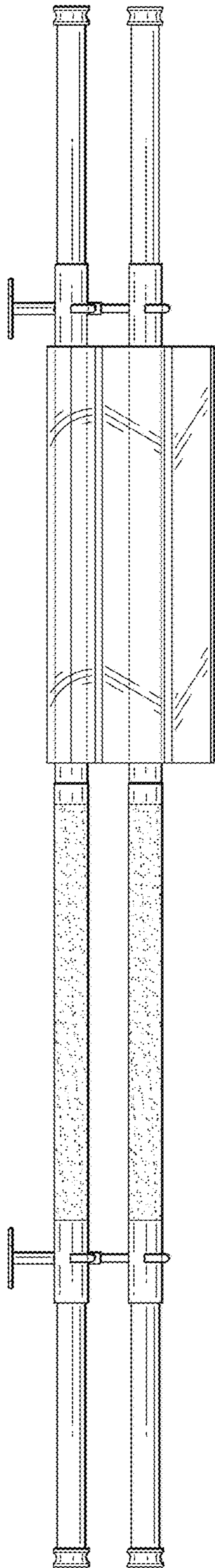


FIG. 6

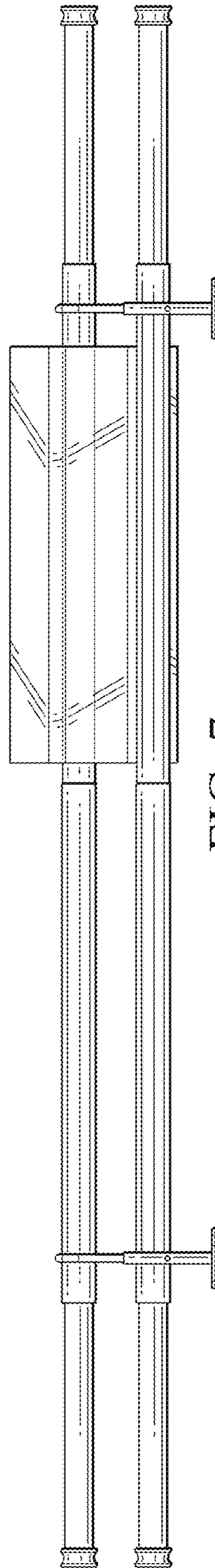


FIG. 7