



US00D815853S

(12) **United States Design Patent**
Brouillette et al.

(10) **Patent No.:** **US D815,853 S**
(45) **Date of Patent:** **** Apr. 24, 2018**

(54) **DISPENSER FOR ROLL OF BAGS**
(71) Applicant: **LABPLAS INC.**, Sainte-Julie (CA)
(72) Inventors: **Marc Brouillette**, Mont-Sainte-Hilaire (CA); **Danielle Lafond**, Mont-Sainte-Hilaire (CA); **Alain Chevigny**, Val-Morin (CA)

3,782,650 A 1/1974 Donnell, Jr.
3,826,361 A 7/1974 Heckrodt
3,979,019 A 9/1976 Bliss
3,979,050 A 9/1976 Cilia
4,453,649 A 6/1984 Origuchi
4,645,108 A 2/1987 Gavin et al.
4,714,643 A 12/1987 Kuenzel
4,805,800 A 2/1989 Nocek et al.
4,850,486 A 7/1989 Neibaur
4,904,092 A 2/1990 Campbell et al.

(Continued)

(73) Assignee: **LABPLAS INC.**, Sainte-Julie (CA)

(**) Term: **15 Years**

Primary Examiner — Wan Laymon

Assistant Examiner — Mark Booker

(21) Appl. No.: **29/572,135**

(74) *Attorney, Agent, or Firm* — Bereskin & Parr LLP/S.E.N.C.R.L., s.r.l.

(22) Filed: **Jul. 25, 2016**

(57) **CLAIM**

(51) **LOC (11) Cl.** **20-02**

We claim the ornamental design for dispenser for roll of bags, as shown and described.

(52) **U.S. Cl.**

USPC **D6/540**

DESCRIPTION

(58) **Field of Classification Search**

USPC D6/540, 518–523, 546, 549; D19/86, 89; 206/389; 211/123, 124; 242/520, 555, 242/570, 588, 588.3, 588.4, 590, 595, 242/597, 598; 248/309.1, 309.2; 312/34.5–34.8

CPC A47F 5/0823; A47F 5/0861; A47F 5/0006; A47F 5/0807; A47F 7/0028; A47F 5/0869; A47F 7/00; A47F 7/163; A47F 5/01; A47F 5/0815; A47F 5/0838; A47F 5/103; A47F 7/065; A47F 1/128; A47F 5/0018; A47F 5/04

See application file for complete search history.

FIG. 1 is a perspective view of a first embodiment of our ornamental design of the dispenser for roll of bags; FIG. 2 is a front view of the dispenser for roll of bags of FIG. 1; FIG. 3 is a right side view of the dispenser for roll of bags of FIG. 1; FIG. 4 is a left side view of the dispenser for roll of bags of FIG. 1; FIG. 5 is a top plan view of the dispenser for roll of bags of FIG. 1; FIG. 6 is a bottom plan view of the dispenser for roll of bags of FIG. 1; FIG. 7 is a rear view of the dispenser for roll of bags of FIG. 1; and, FIG. 8 is a perspective view of the dispenser for roll of bags of FIG. 1.

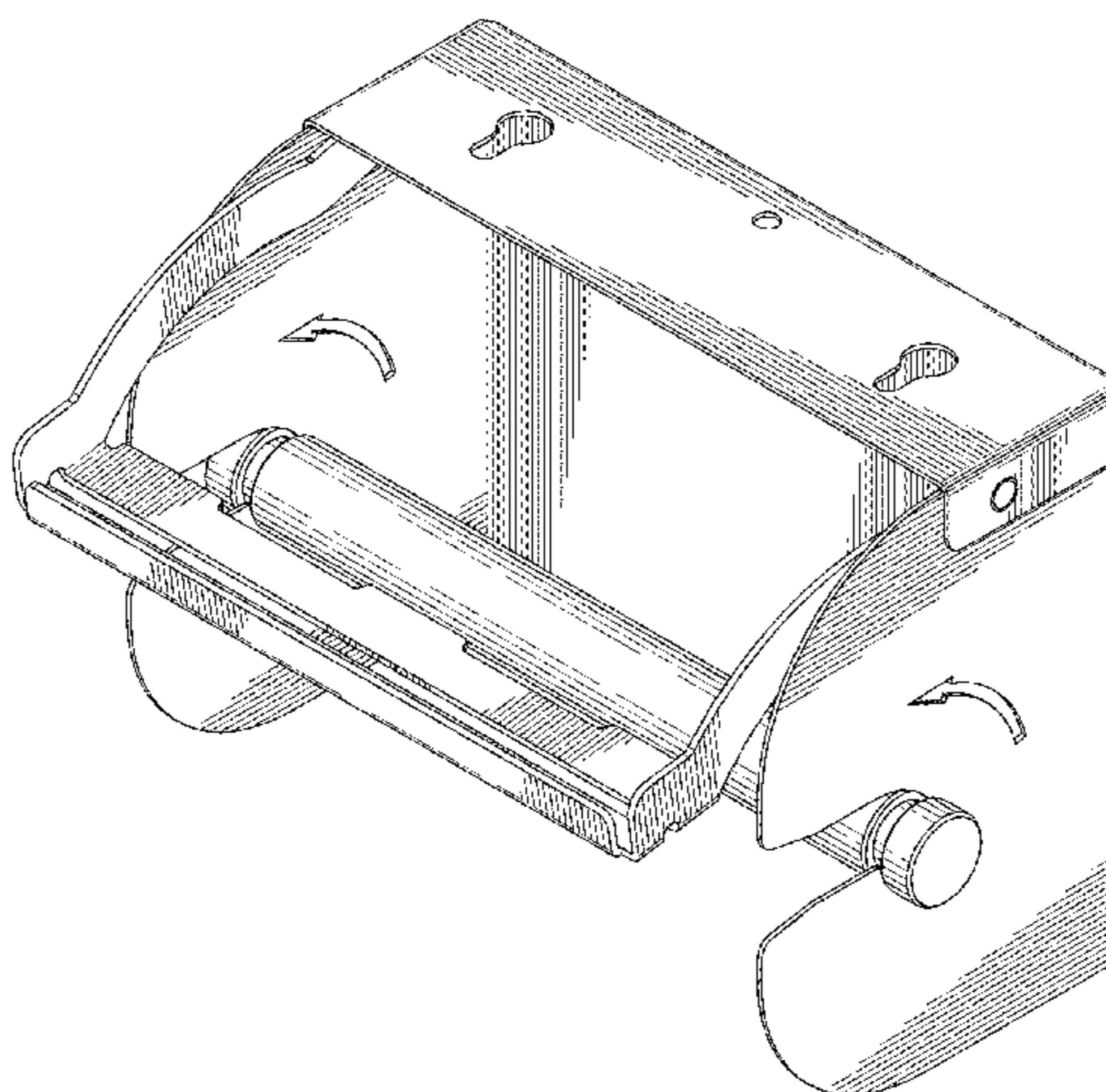
The broken lines FIG. 8 is for the purpose of illustrating environmental structure and form no part of the claimed design.

(56) **References Cited**

U.S. PATENT DOCUMENTS

D192,696 S 5/1962 Eliot Saxe
3,098,594 A 7/1963 Williamson
3,229,876 A 1/1966 Osborn, Jr.
3,237,826 A 3/1966 Ringholz et al.
3,477,624 A 11/1969 Branyon et al.
3,698,548 A 10/1972 Stenzel et al.

1 Claim, 7 Drawing Sheets



(56)

References Cited

U.S. PATENT DOCUMENTS

5,046,619 A 9/1991 Hwang
 5,167,377 A 12/1992 Chalmers
 5,170,957 A 12/1992 Carpenter
 5,183,157 A 2/1993 Darden
 5,219,424 A 6/1993 Simhaee
 5,228,632 A 7/1993 Addison et al.
 5,509,570 A 4/1996 DeMatteis
 5,590,784 A 1/1997 Daniels
 5,752,666 A 5/1998 Simhaee
 6,079,563 A 6/2000 Katchmazenski
 6,135,281 A 10/2000 Simhaee
 6,283,405 B1 9/2001 Tracy
 6,439,502 B1 8/2002 Gemmell et al.
 D467,454 S 12/2002 Le et al.
 6,488,222 B1 12/2002 West et al.
 D472,413 S 4/2003 Haas
 6,564,829 B2 5/2003 Arisato
 6,575,301 B2 6/2003 Simhaee
 6,635,002 B1 10/2003 Yeh
 D504,812 S 5/2005 Keberlein et al.
 6,945,695 B2 9/2005 Rabiea
 D512,253 S * 12/2005 Hoernig D6/523
 6,976,563 B1 12/2005 Shaw
 7,252,194 B2 8/2007 Tracy

D578,330 S * 10/2008 Corral D6/522
 7,984,844 B2 7/2011 Jones
 8,104,657 B2 1/2012 Barella
 D683,164 S * 5/2013 Fontana D6/518
 D683,245 S 5/2013 Palmer et al.
 D690,126 S 9/2013 Ogawa
 D697,333 S * 1/2014 Ogle D6/521
 8,960,494 B1 2/2015 Gluck
 D735,488 S 8/2015 Page et al.
 D785,362 S 5/2017 Trunsky
 D787,321 S 5/2017 Pantelleria
 D797,467 S * 9/2017 Andrew D6/540
 2003/0136793 A1 7/2003 Chen
 2005/0194415 A1 9/2005 Danechi
 2005/0274638 A1 12/2005 Smith
 2006/0151660 A1 7/2006 Stringer
 2006/0163419 A1 7/2006 Horn
 2006/0169829 A1 8/2006 Slocum et al.
 2008/0187254 A1 8/2008 Hall
 2008/0272016 A1 11/2008 Anderson et al.
 2009/0127276 A1 5/2009 Rippl et al.
 2010/0258580 A1 10/2010 Decker et al.
 2014/0263532 A1 9/2014 Licata
 2015/0196174 A1 7/2015 Goltz et al.
 2015/0250364 A1 9/2015 Yamada
 2016/0107790 A1 4/2016 Maddox, Jr.

* cited by examiner

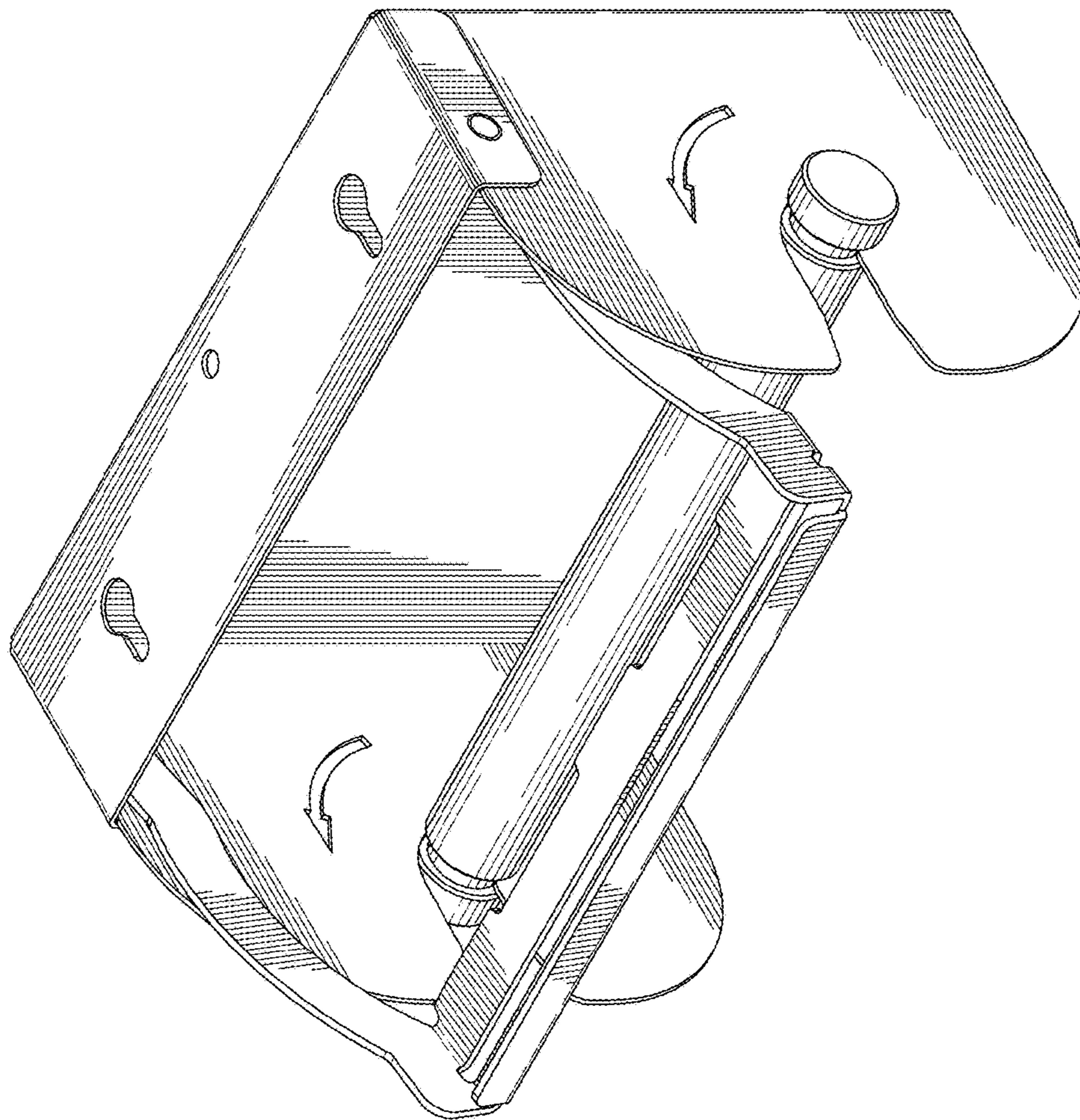


FIG. 1

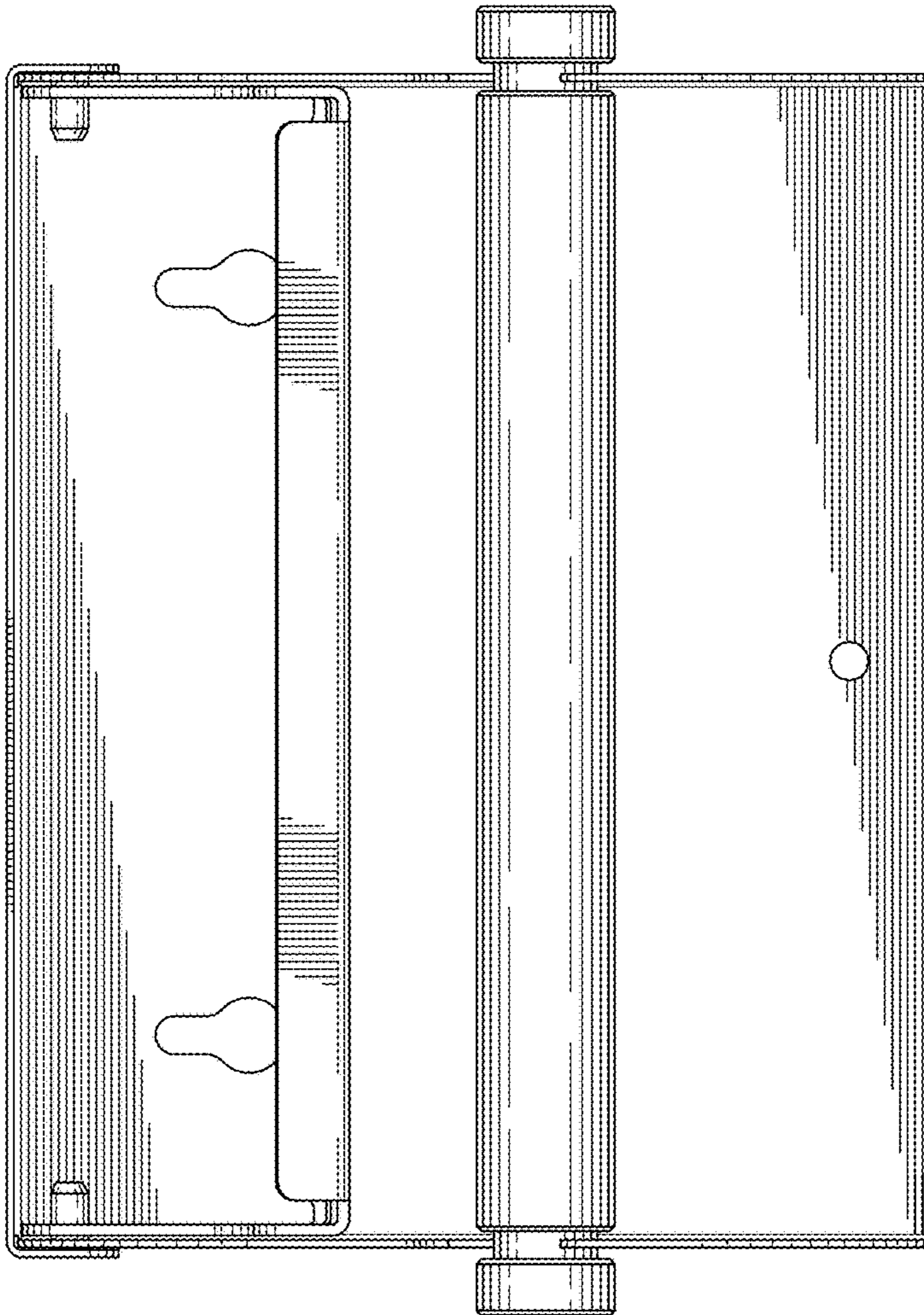


FIG. 2

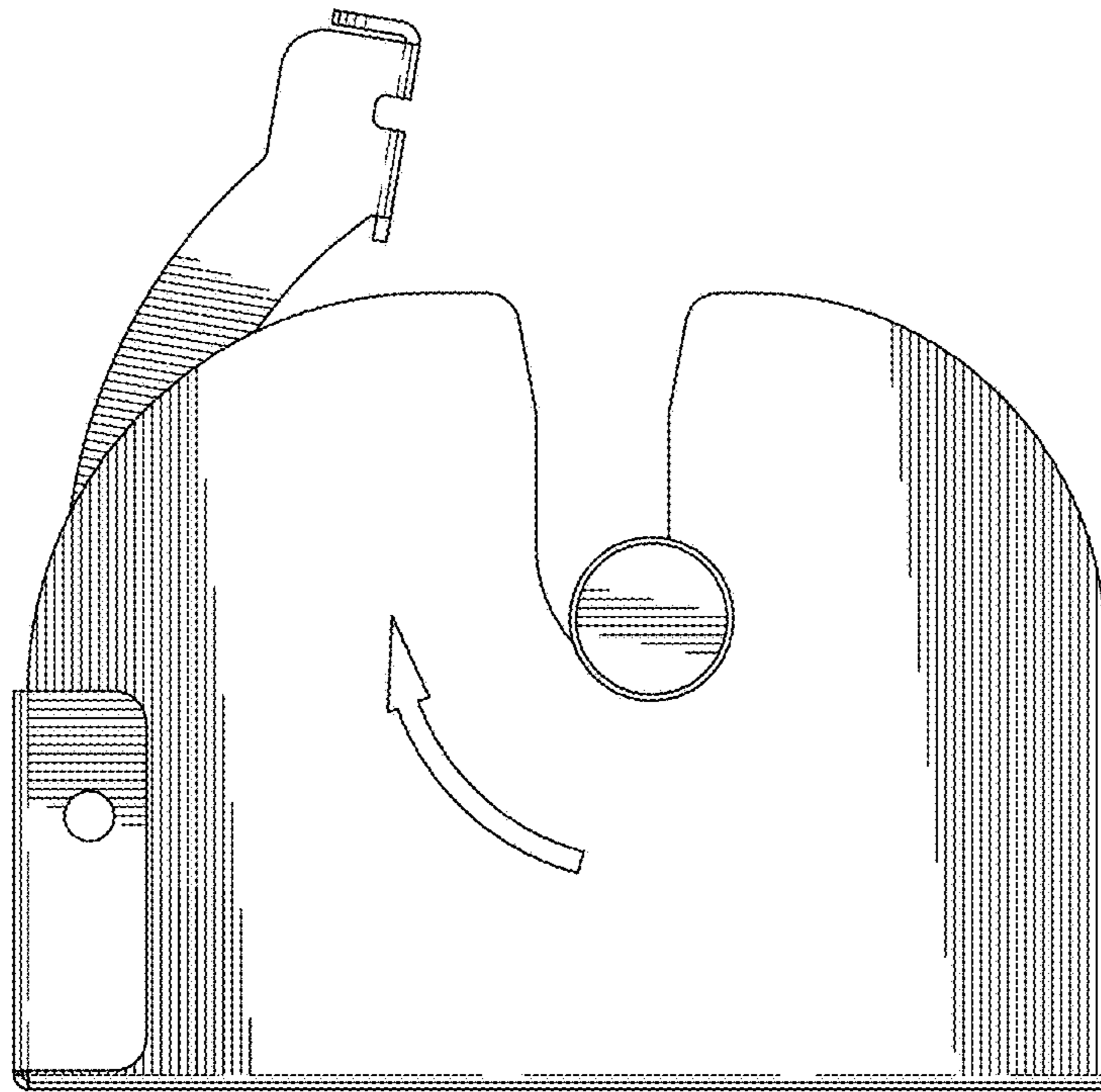


FIG. 4

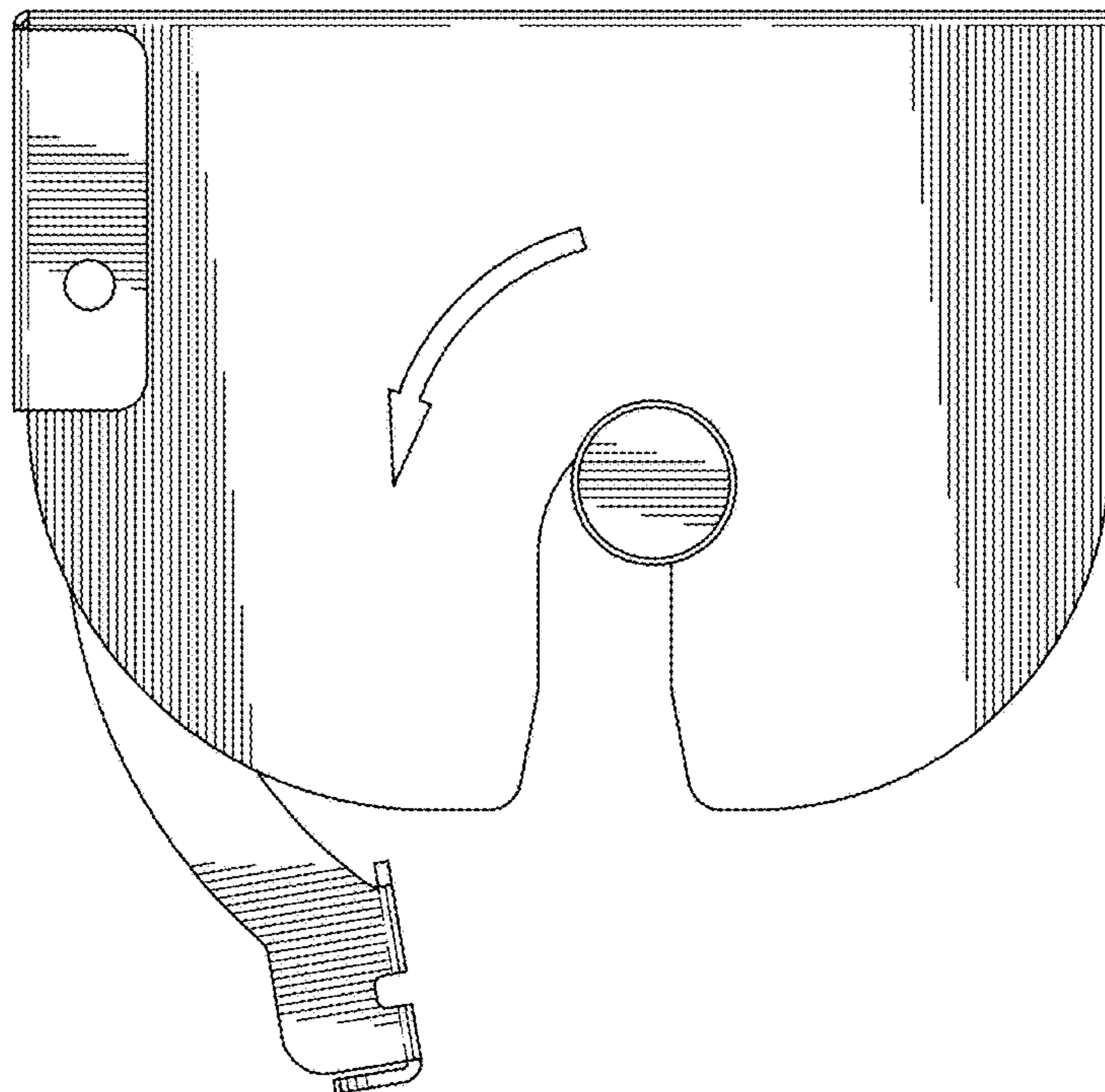


FIG. 3

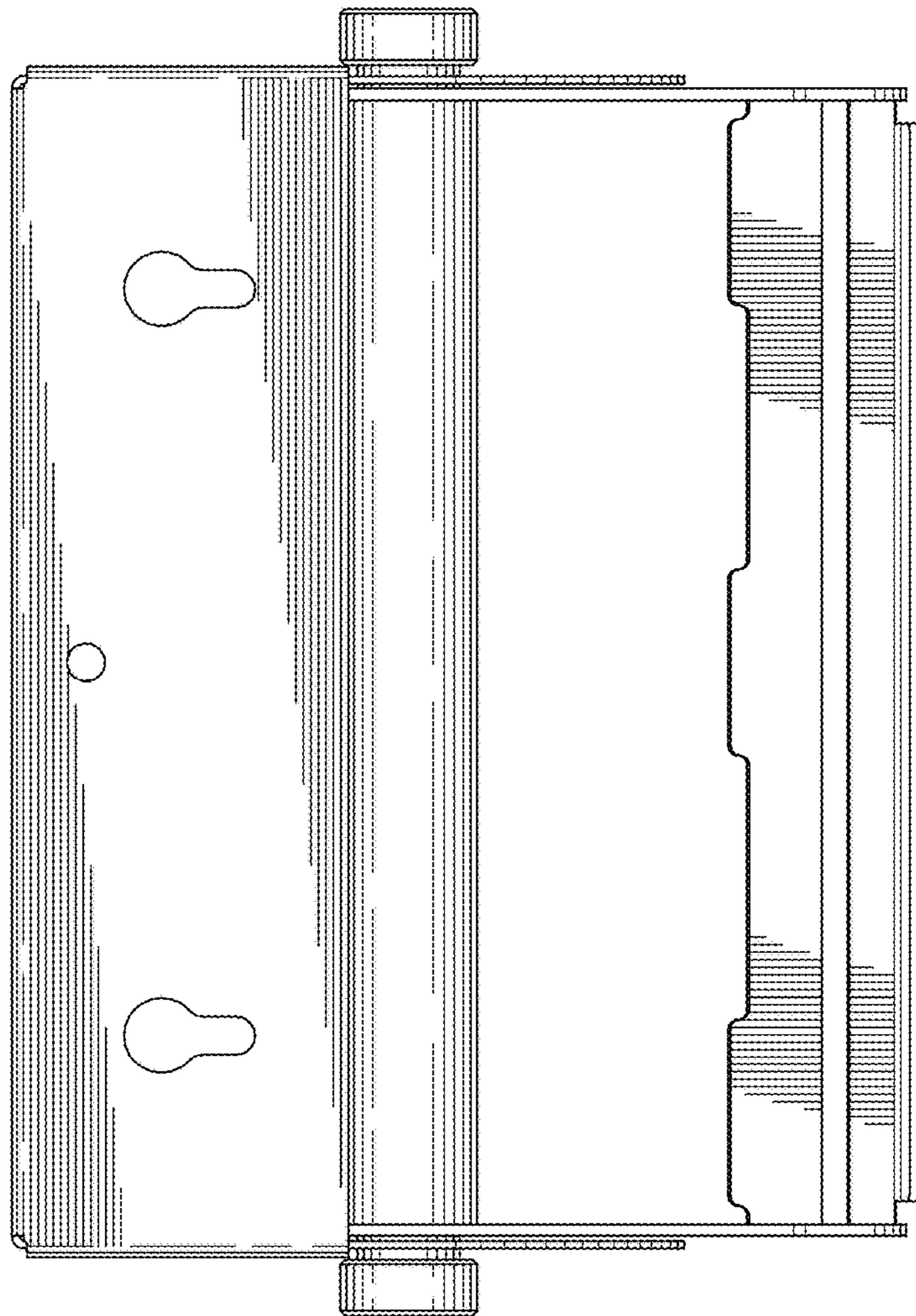


FIG. 5

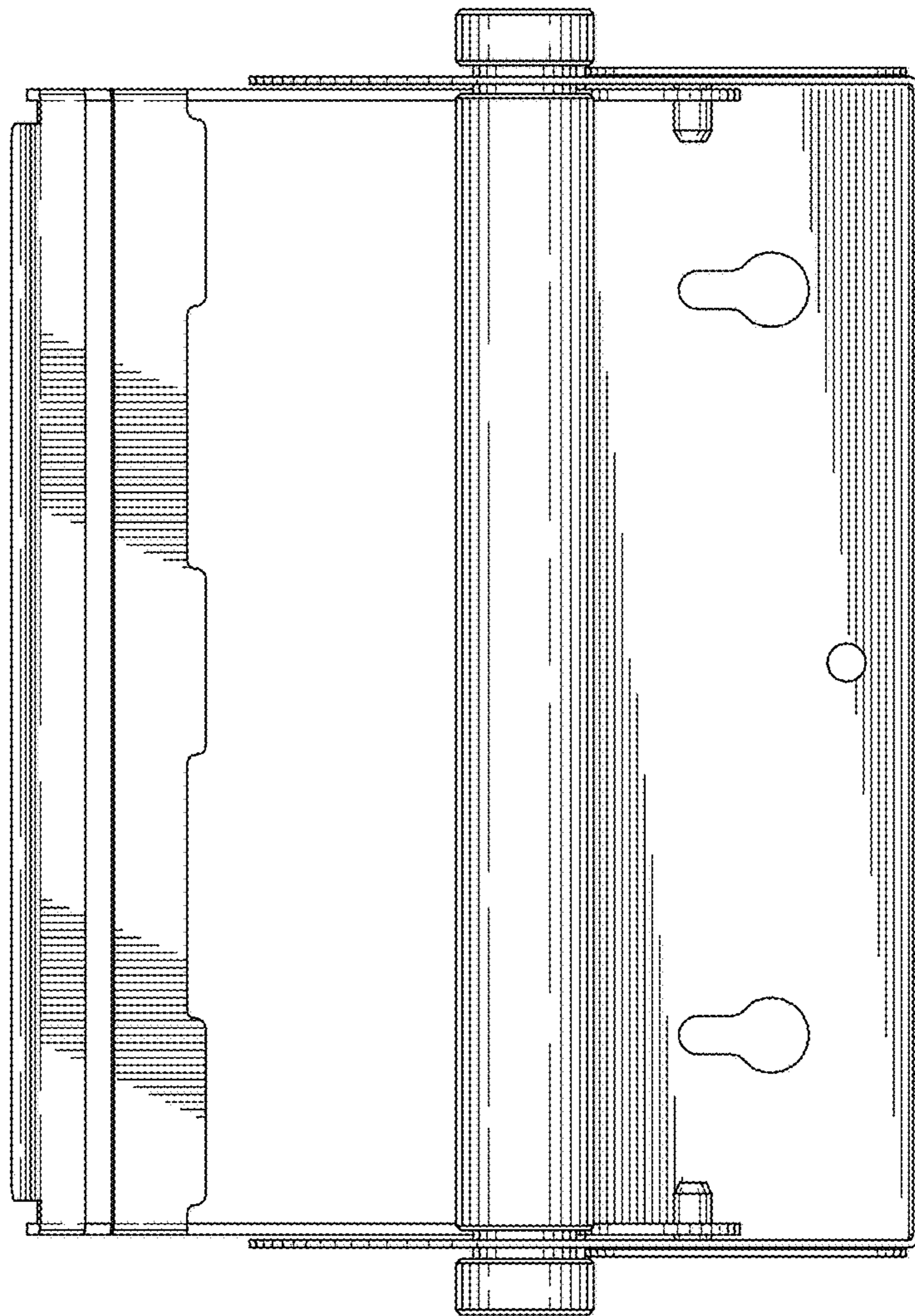


FIG. 5

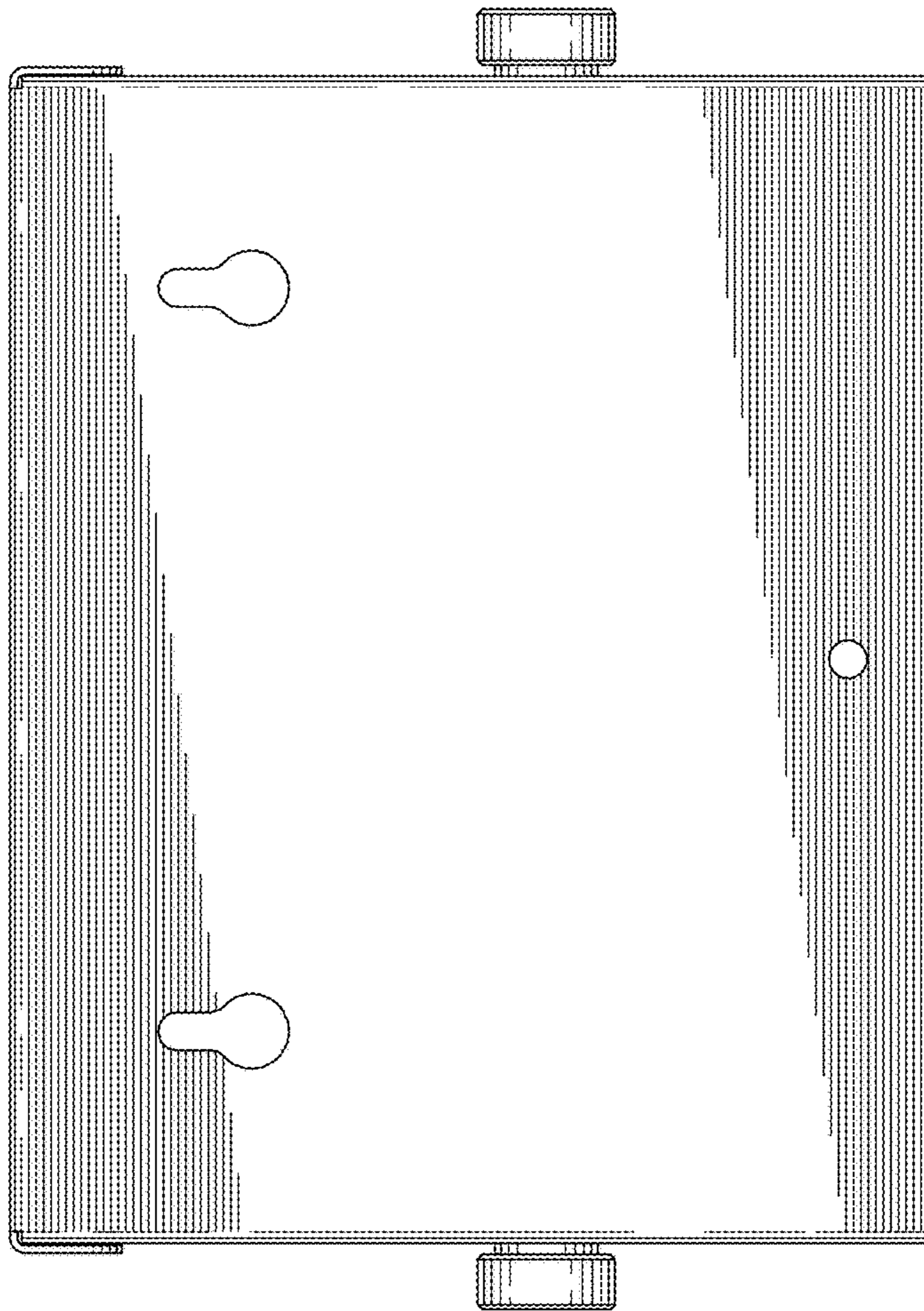


FIG. 7

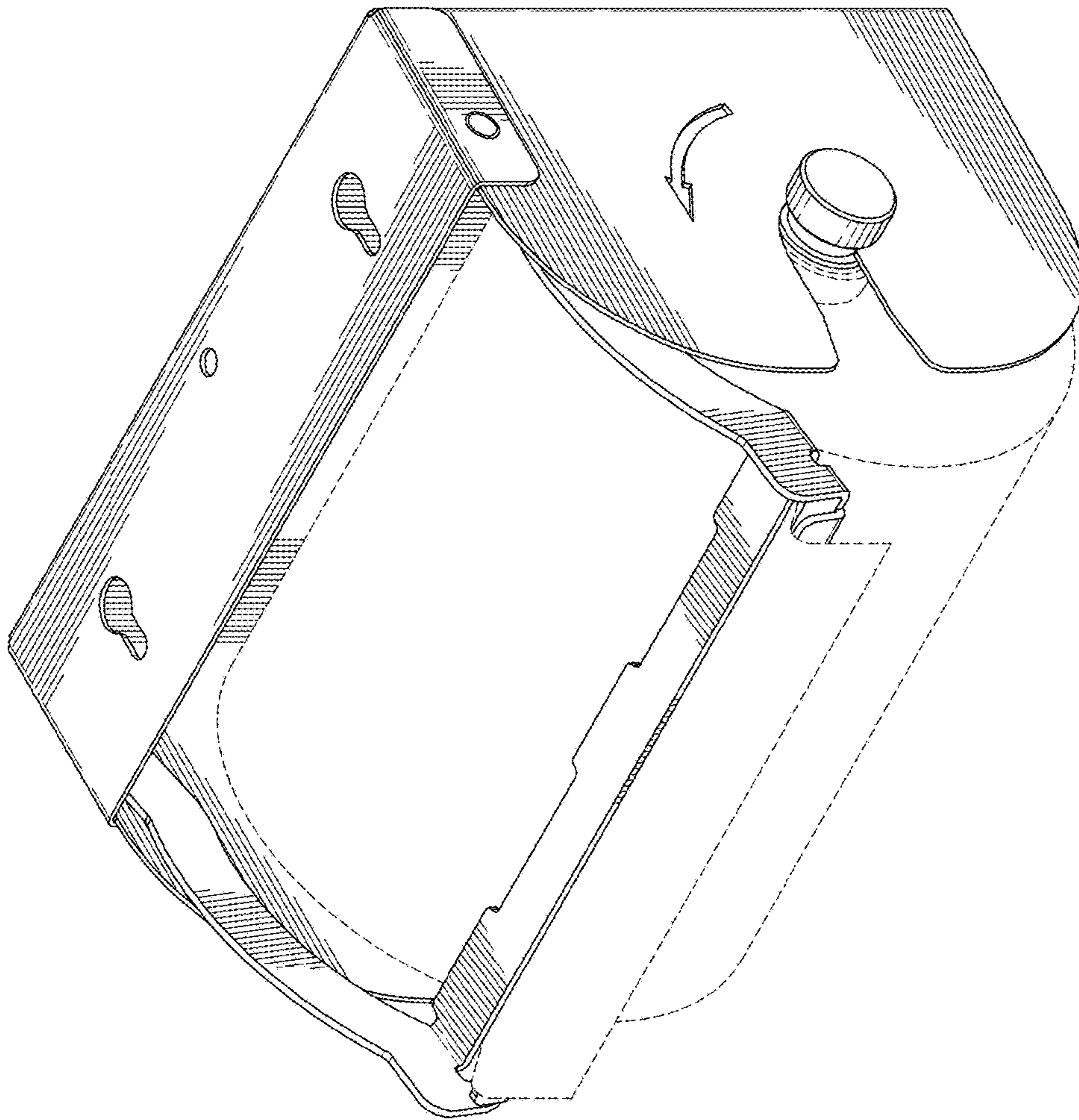


FIG. 7