



US00D815852S

(12) **United States Design Patent**  
**Carr et al.**

(10) **Patent No.:** **US D815,852 S**  
(45) **Date of Patent:** **\*\* Apr. 24, 2018**

(54) **FLOOR MAT HANGER**  
(71) Applicant: **Who-Rae Australia, LLC**, Compton, CA (US)  
(72) Inventors: **Jason D. Carr**, Bentleigh East (AU); **Warwick J. Brown**, North Melbourne (AU); **Marcus Krigsman**, Rosanna (AU)

6,422,524 B1 7/2002 Spagnuolo et al.  
6,758,379 B1 7/2004 Elwell  
7,389,885 B2 6/2008 Masanek, Jr.  
8,087,520 B2 1/2012 Milella, Jr. et al.  
9,004,276 B2 4/2015 Brown et al.  
9,301,625 B2 4/2016 Fiumefreddo et al.  
D757,454 S \* 5/2016 Alesi ..... D6/315  
D792,113 S \* 7/2017 Tsujimoto ..... D6/319

(Continued)

**FOREIGN PATENT DOCUMENTS**

(73) Assignee: **Who-Rae Australia, LLC**, Compton, CA (US)

AU 2013200875 A1 8/2014  
AU 2013202939 A1 8/2014

(Continued)

(\*\*) Term: **15 Years**

**OTHER PUBLICATIONS**

(21) Appl. No.: **29/571,525**

U.S. Patent and Trademark Office; Search Report and Written Opinion in International Patent Application No. PCT/US2017/042839 dated Sep. 29, 2017; 10 pages.

(22) Filed: **Jul. 19, 2016**

(51) **LOC (11) Cl.** ..... **06-08**

(52) **U.S. Cl.**  
USPC ..... **D6/513**

(58) **Field of Classification Search**  
USPC ..... D6/513, 315, 327, 512, 319; 223/85-98; 248/215; 30/123  
CPC ..... A47G 25/26; A47G 25/28; A47G 25/30; A47G 25/32; A47G 25/34; A47G 25/36; A47G 25/38; A47G 25/442; A47G 25/625; A47G 25/743; A47G 25/1407; A47G 25/1457; A47G 2025/1492; A47F 7/18; A47F 7/19; A47F 7/22

See application file for complete search history.

*Primary Examiner* — Wan Laymon

*Assistant Examiner* — Mark Booker

(74) *Attorney, Agent, or Firm* — Wood Herron & Evans LLP

(57) **CLAIM**

The ornamental design for the floor mat hanger, as shown and described.

**DESCRIPTION**

(56) **References Cited**

**U.S. PATENT DOCUMENTS**

287,085 A 10/1883 Leeds  
2,370,391 A 2/1945 Bolten et al.  
3,710,996 A 1/1973 Smilow et al.  
3,963,154 A 6/1976 Schwartz et al.  
4,074,838 A 2/1978 Blasnik et al.  
D287,085 S \* 12/1986 Leeds ..... D6/327  
4,718,546 A 1/1988 Kolton et al.  
5,257,694 A 11/1993 Wallach

FIG. 1 is a front perspective view of my new floor mat hanger design;

FIG. 2 is a rear perspective view thereof;

FIG. 3 is a front elevation view thereof;

FIG. 4 is a rear elevation view thereof;

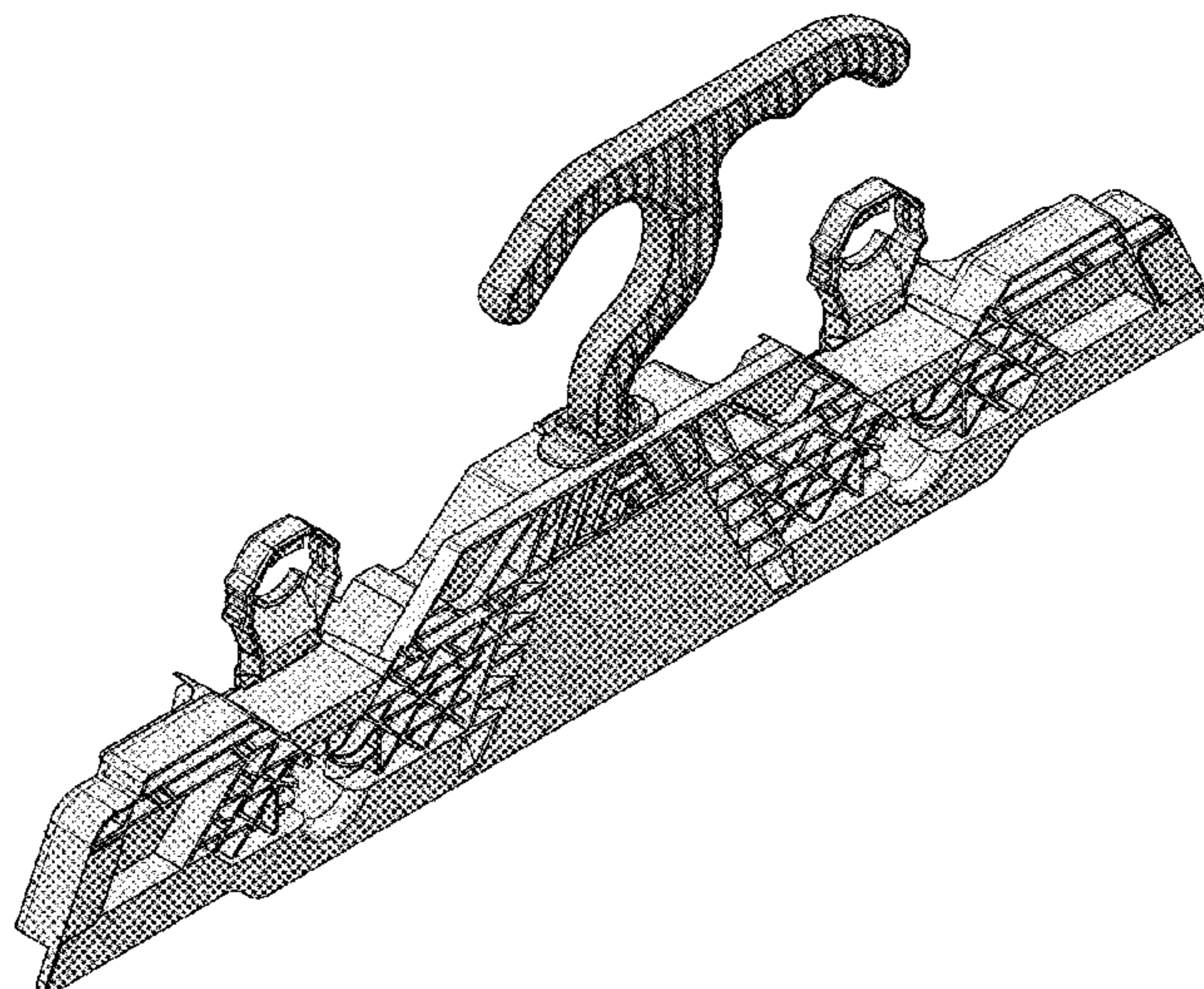
FIG. 5 is a left side elevation view thereof;

FIG. 6 is a right side elevation view thereof;

FIG. 7 is a top view thereof; and,

FIG. 8 is a bottom view thereof.

**1 Claim, 6 Drawing Sheets**



(56)

**References Cited**

U.S. PATENT DOCUMENTS

2004/0217249 A1 11/2004 Eisenbraun  
2013/0340259 A1\* 12/2013 Huang ..... A47F 7/16  
30/123  
2015/0102190 A1\* 4/2015 Fiumefreddo ..... A47F 5/0006  
248/215  
2016/0023840 A1 1/2016 Matthews et al.

FOREIGN PATENT DOCUMENTS

DE 29500448 U1 4/1995  
EP 2135529 A1 12/2009  
GB 2203033 A 10/1988  
GB 2377631 A 1/2003

\* cited by examiner



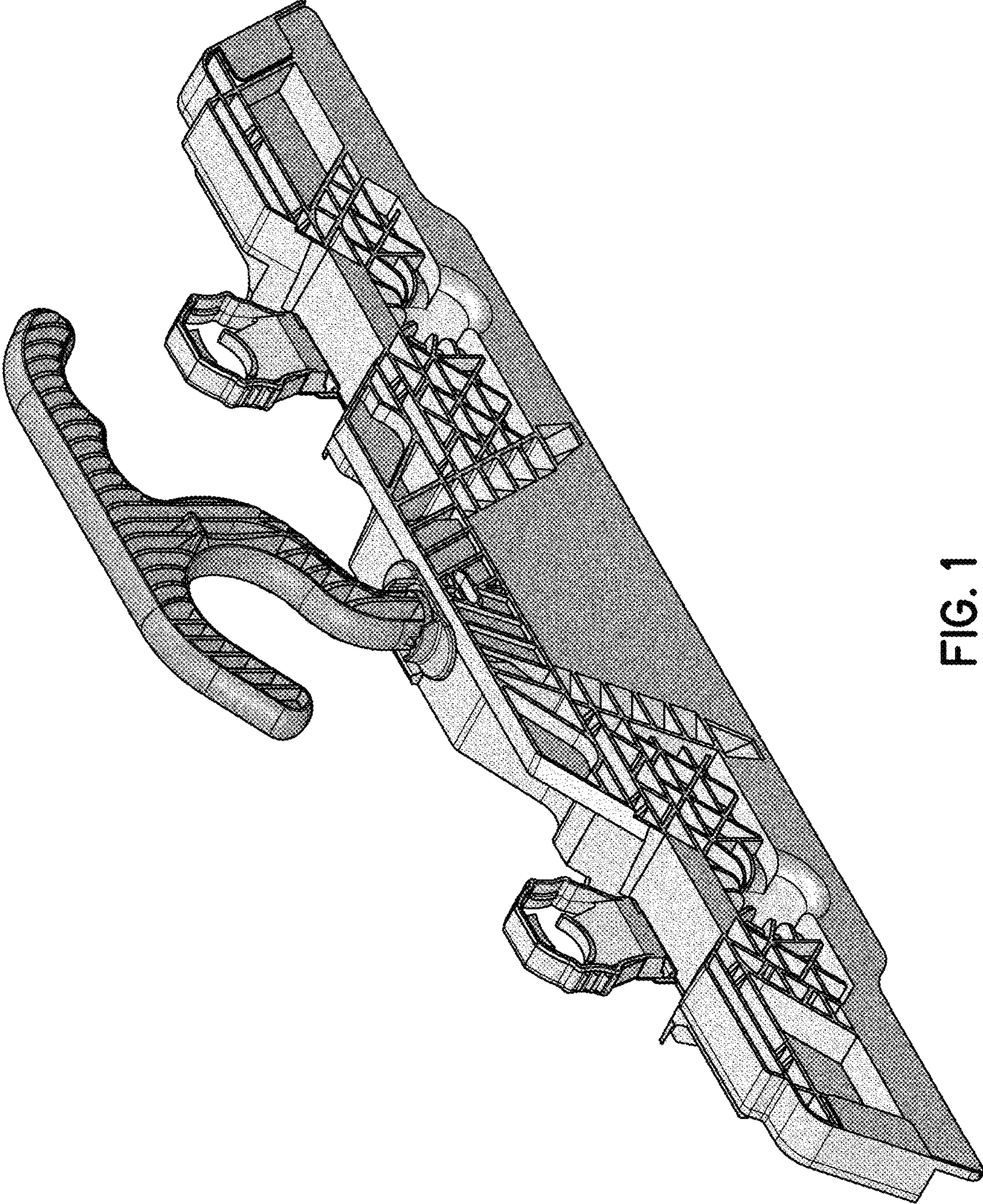


FIG. 1



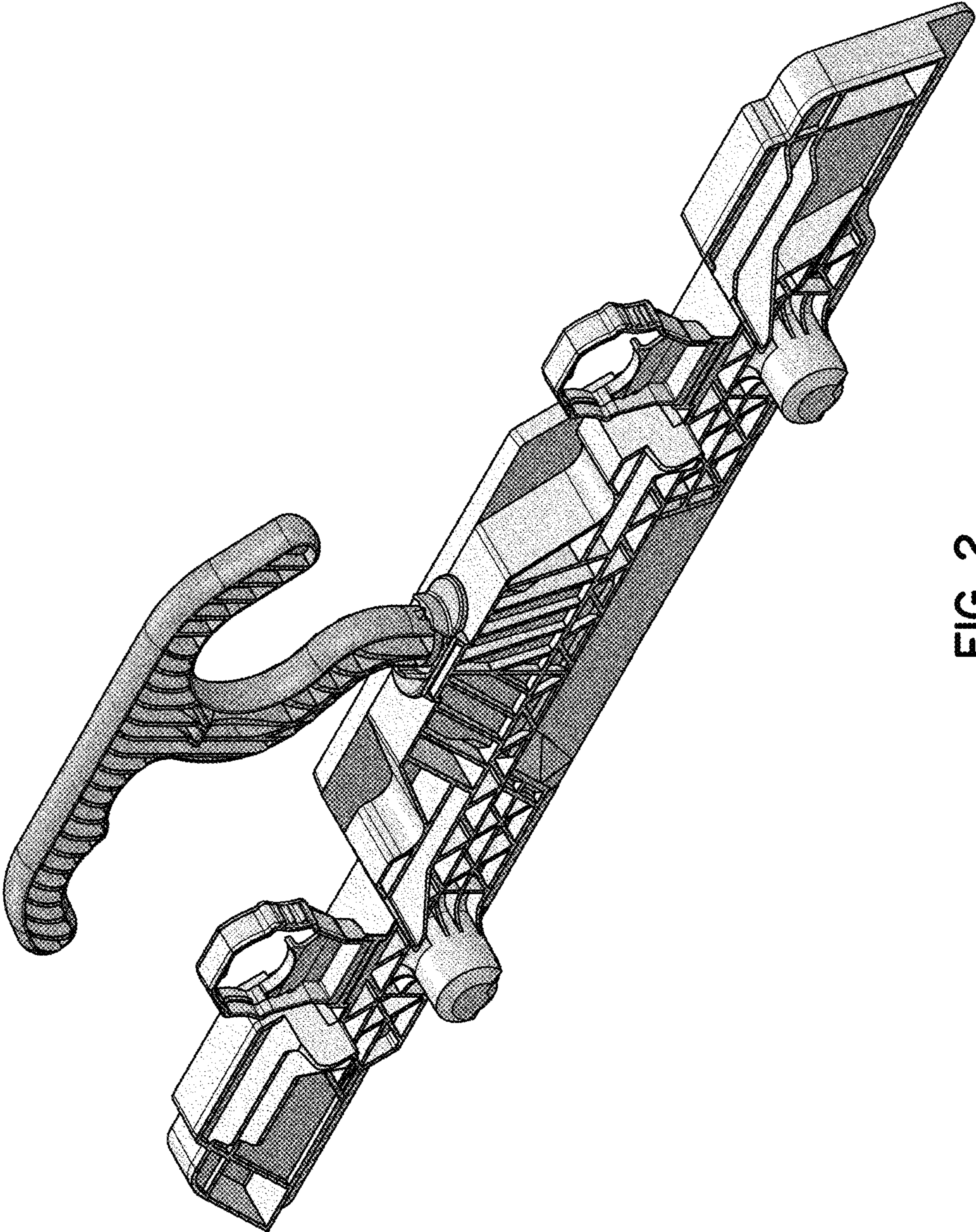


FIG. 2



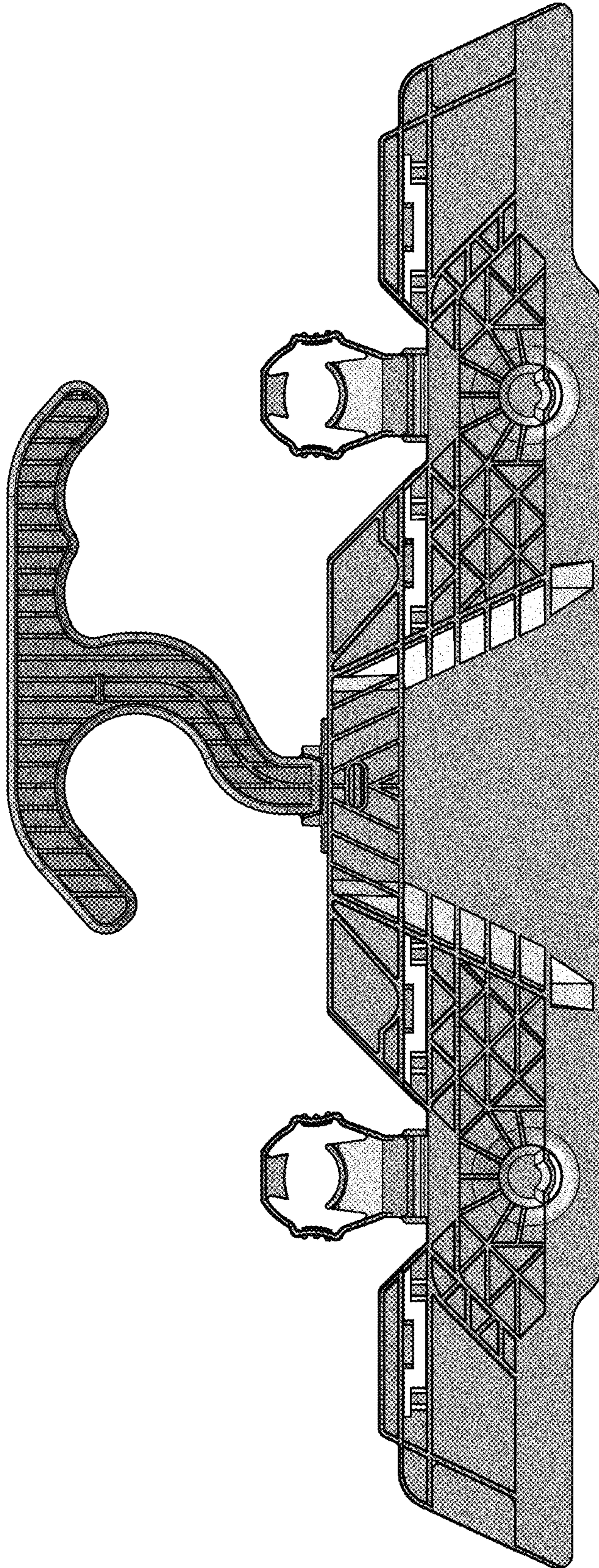


FIG. 3



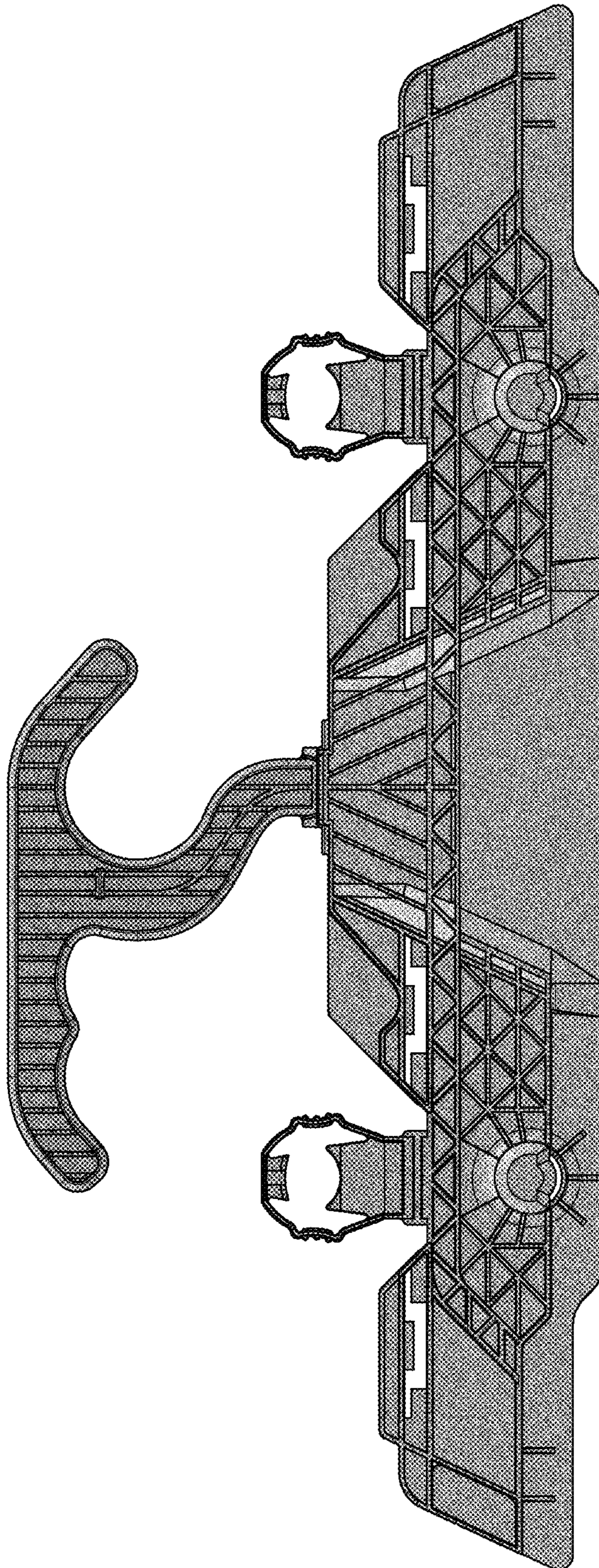


FIG. 4



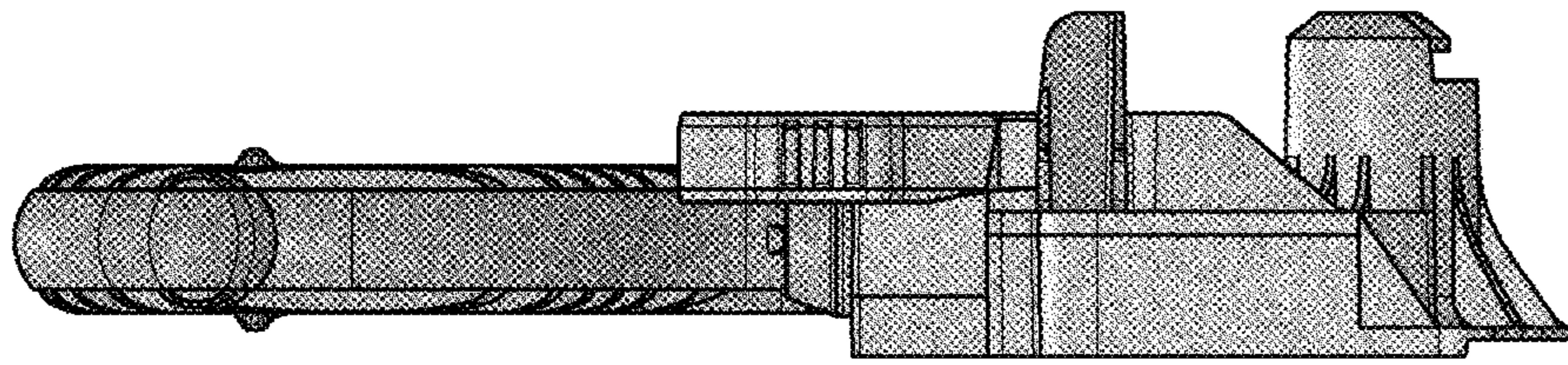


FIG. 6

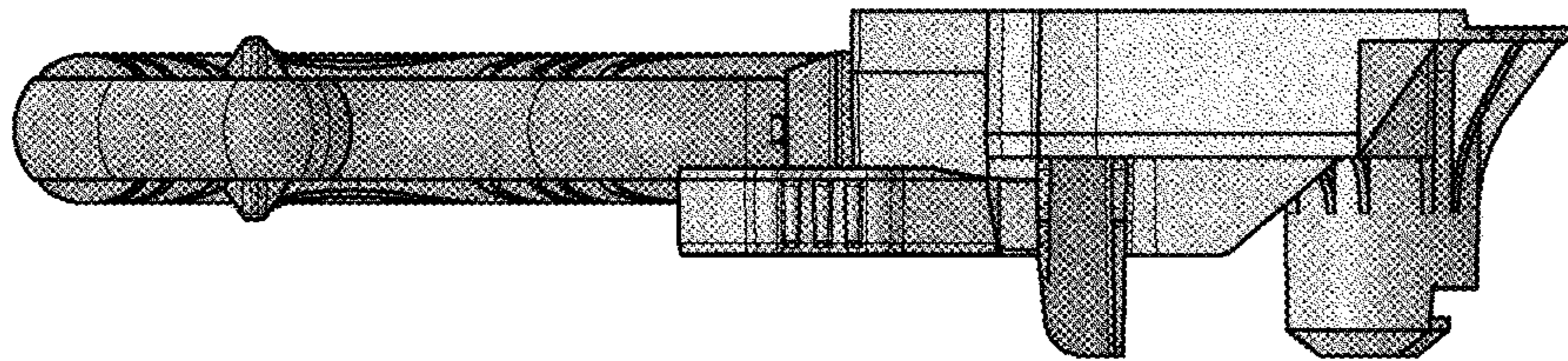


FIG. 5



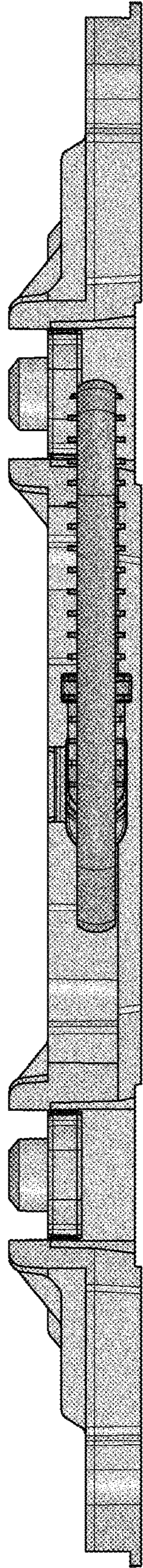


FIG. 7

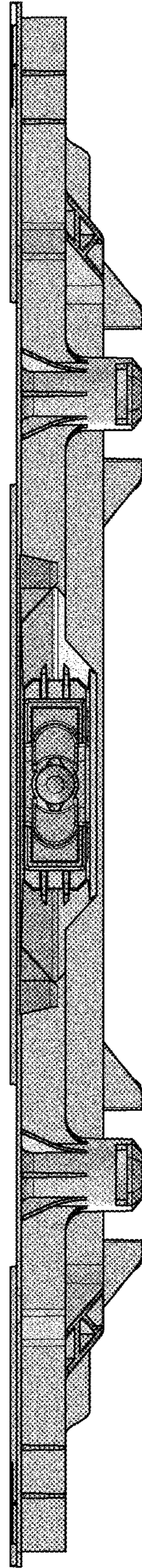


FIG. 8