



US00D815851S

(12) **United States Design Patent** (10) **Patent No.:** **US D815,851 S**  
**Rafieha** (45) **Date of Patent:** **\*\* \*Apr. 24, 2018**

(54) **SOFA**

(71) Applicant: **Abbyson Living Corporation**,  
Calabasas, CA (US)

(72) Inventor: **Rodd Rafieha**, Calabasas, CA (US)

(73) Assignee: **ABBYSON LIVING LLC**, Calabasas,  
CA (US)

(\*) Notice: This patent is subject to a terminal disclaimer.

(\*\*) Term: **15 Years**

(21) Appl. No.: **29/562,411**

(22) Filed: **Apr. 26, 2016**

(51) **LOC (11) Cl.** ..... **06-01**

(52) **U.S. Cl.**  
USPC ..... **D6/381**

(58) **Field of Classification Search**

USPC ..... D6/334, 349–350, 364–368, 374, 375,  
D6/379, 380, 403, 405, 406.6, 654–654.1,  
D6/678–678.2, 682.1–682.6, 684–686,  
D6/691, 691.8–691.9, 698, 699, 705,  
D6/705.5, 707.19, 708, 708.21, 716;  
297/284.4, 452.18, 452.24, 452.26,  
297/452.28, 452.32–33, 452.37  
CPC .... A47C 7/02; A47C 7/44; A47C 7/46; A47C  
7/48; A47C 7/54; A47C 7/386; A47C  
7/462; A47C 1/10; A47C 1/031; B60N  
2/02; B60N 2/22; B60N 2/44

See application file for complete search history.

(56) **References Cited**

U.S. PATENT DOCUMENTS

D234,329 S *	2/1975	Rocchia .....	D6/369
D410,800 S *	6/1999	Gomez .....	D6/369
D422,422 S *	4/2000	Black .....	D6/334
D491,378 S *	6/2004	Tyler .....	D6/369
D650,605 S *	12/2011	Haimoff .....	D6/369
D659,413 S *	5/2012	Arko .....	D6/334
D706,052 S *	6/2014	Arnon .....	D6/369
D784,714 S *	4/2017	Bougay .....	D6/369
D784,715 S *	4/2017	Bougay .....	D6/369

\* cited by examiner

*Primary Examiner* — Vy N Koenig

*Assistant Examiner* — Keith J Wilson

(74) *Attorney, Agent, or Firm* — Koppel, Patrick, Heybl  
& Philpott

(57) **CLAIM**

The ornamental design for a sofa, as shown and described.

**DESCRIPTION**

FIG. 1 is a perspective view of a sofa according to this design;

FIG. 2 is a front view thereof;

FIG. 3 is a right side view thereof; the left side view being a mirror image of the right side view;

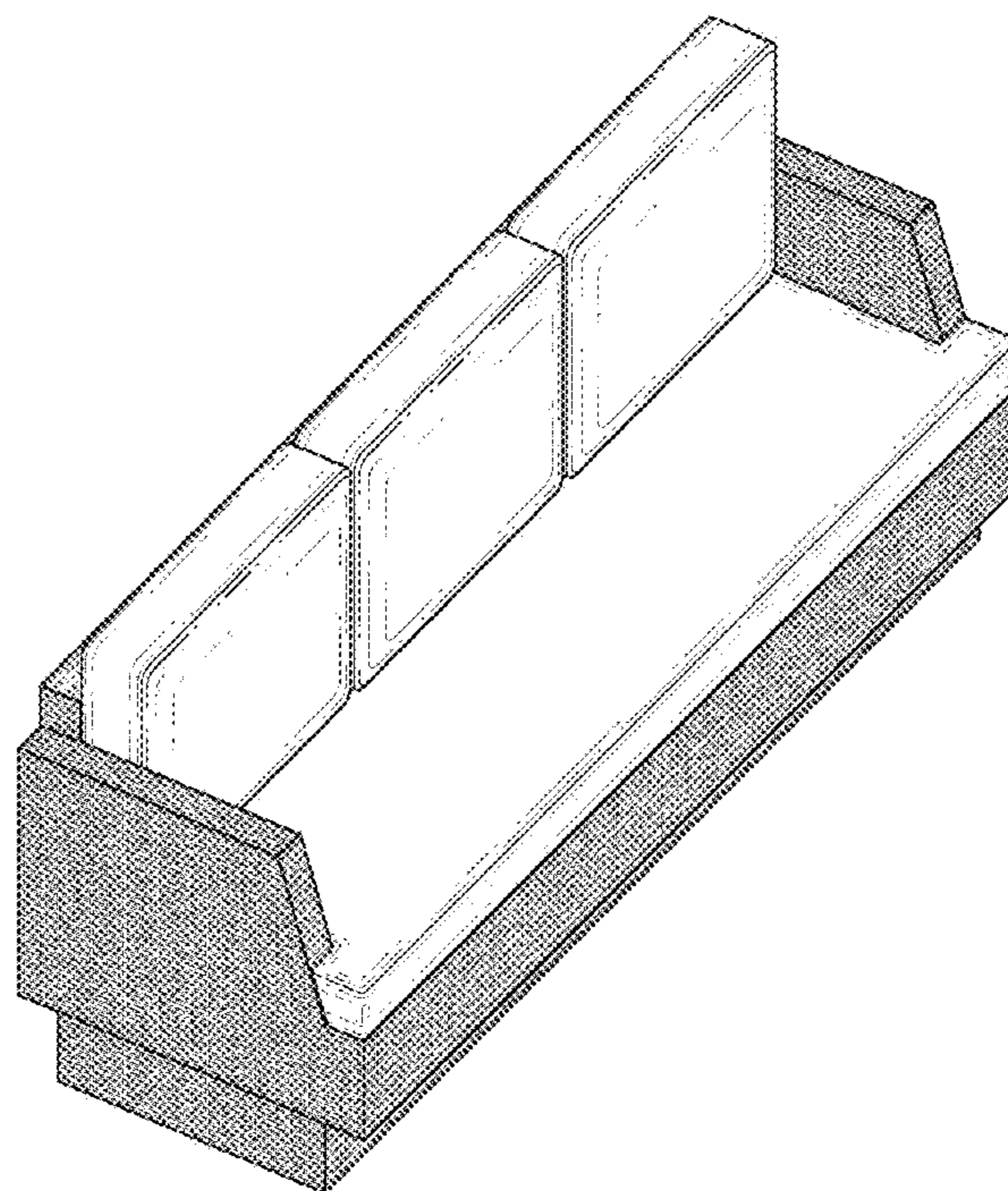
FIG. 4 is a rear view thereof;

FIG. 5 is a top plan view thereof; and,

FIG. 6 is a bottom view thereof.

The broken lines define the bounds of the claim and form no part thereof.

**1 Claim, 6 Drawing Sheets**





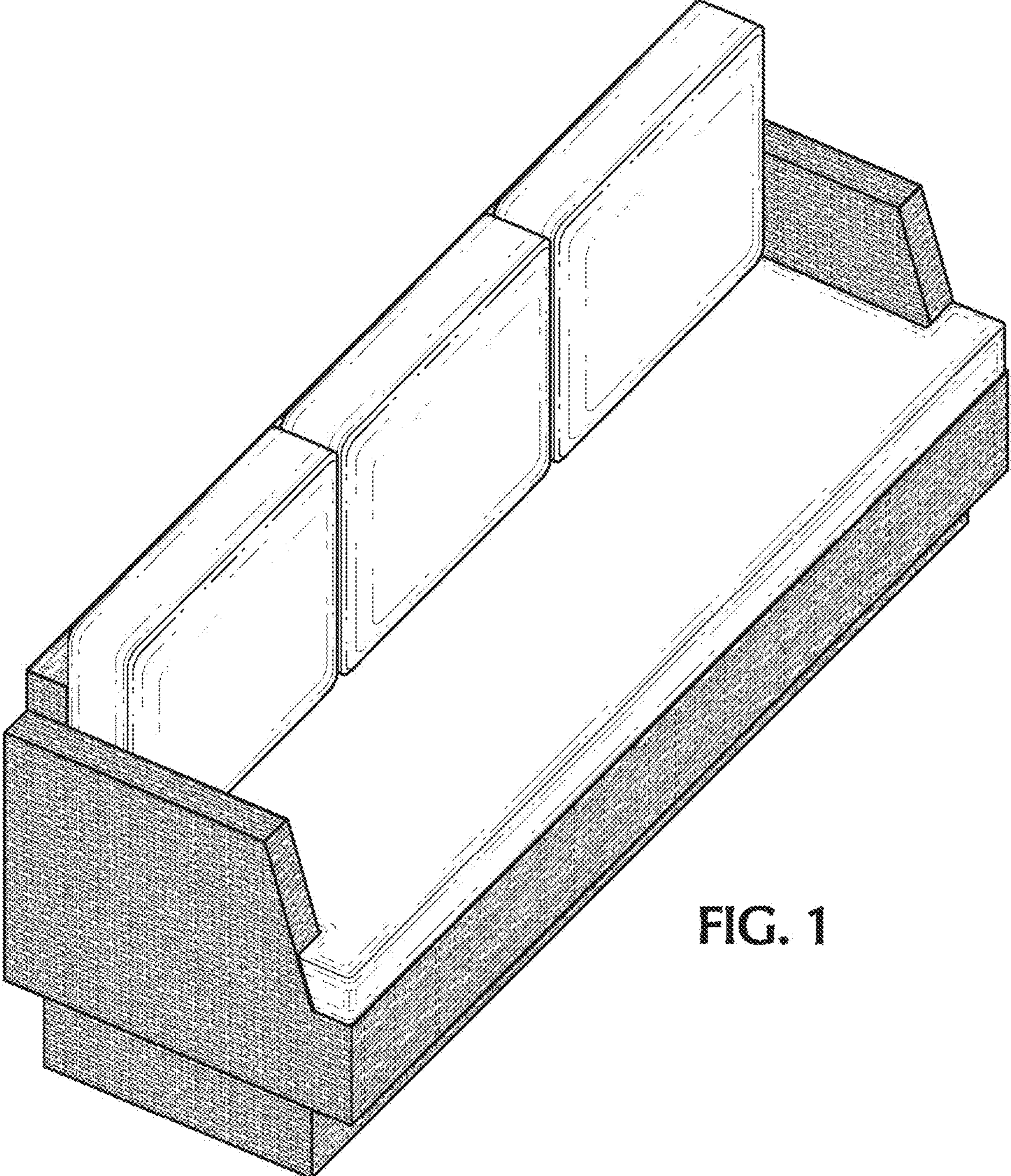


FIG. 1



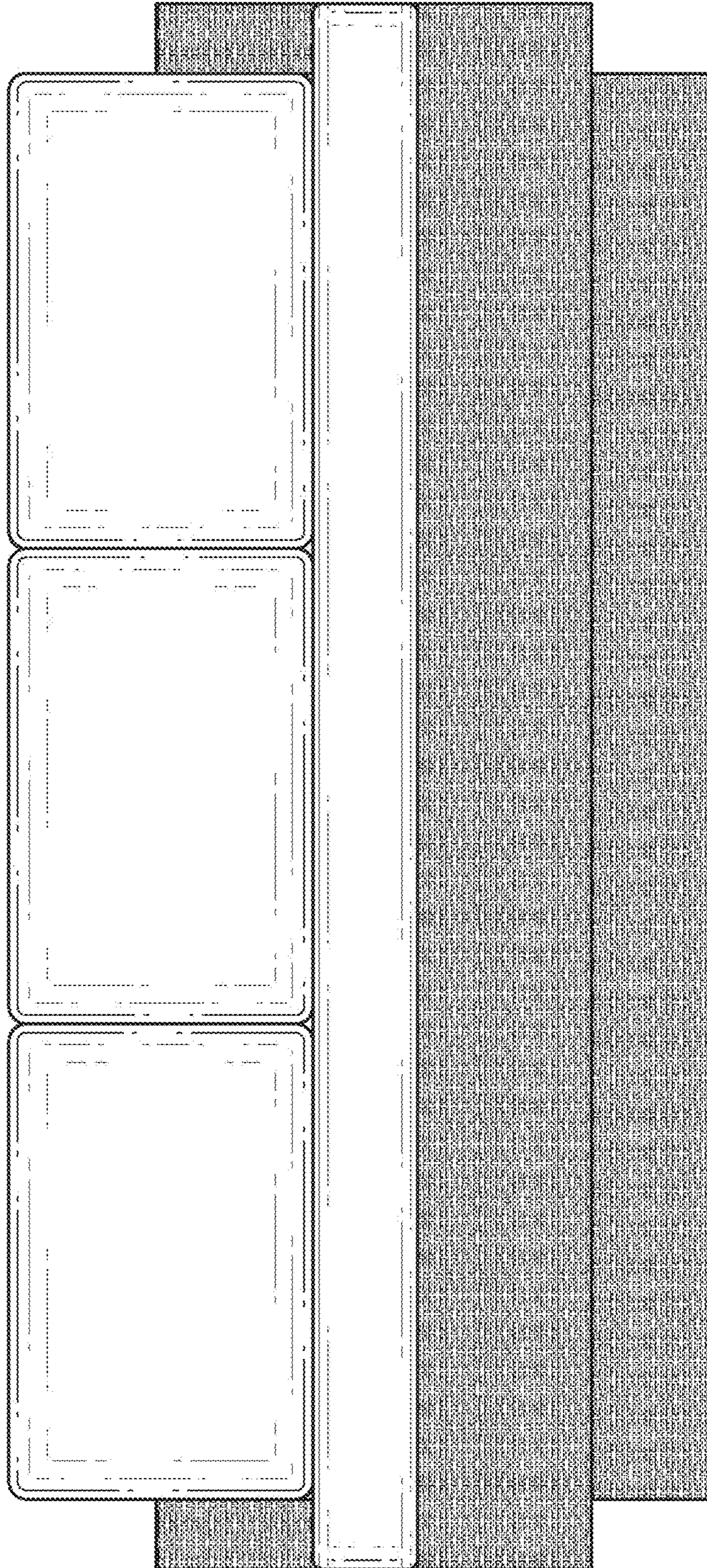


FIG. 2



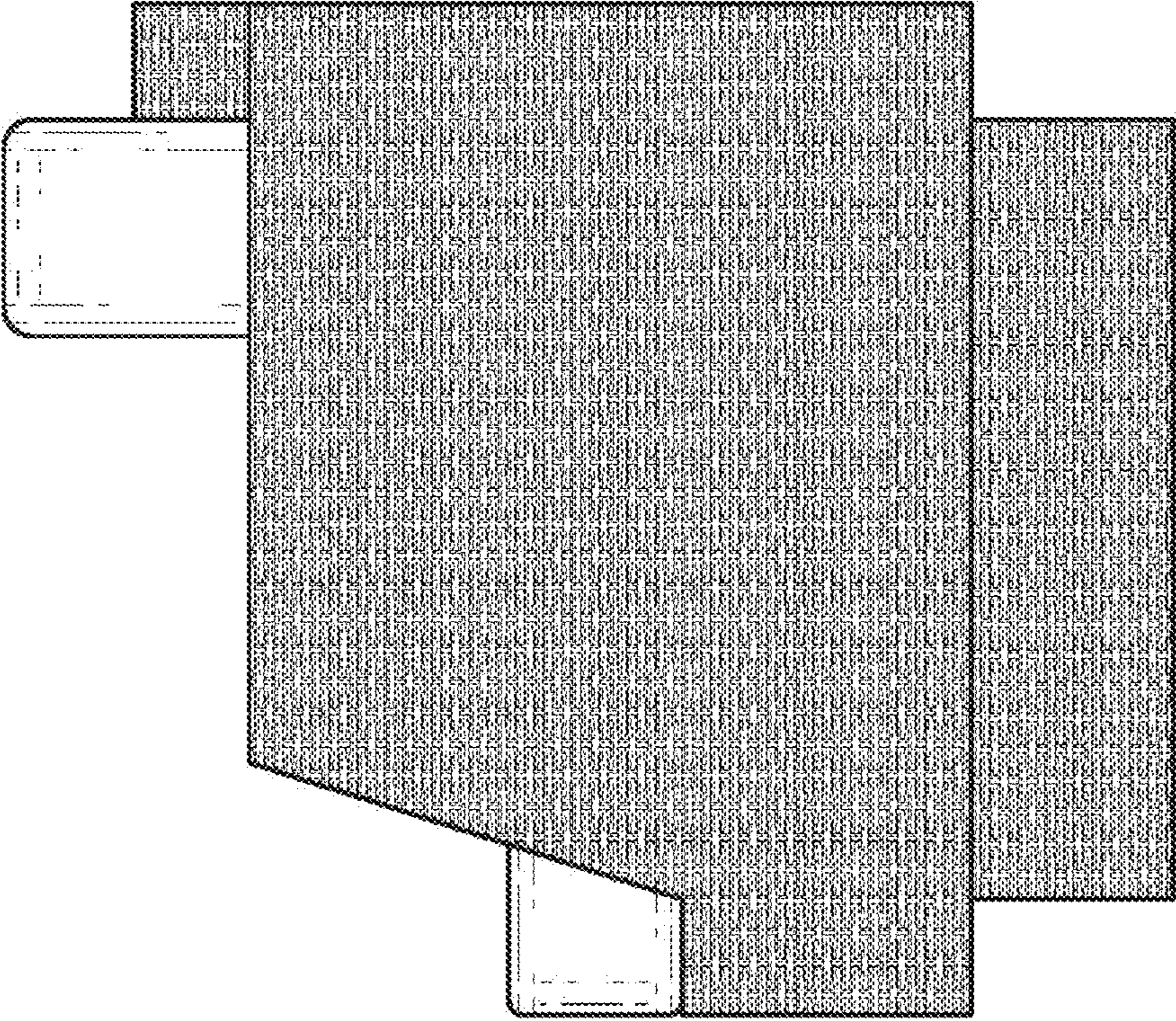


FIG. 3



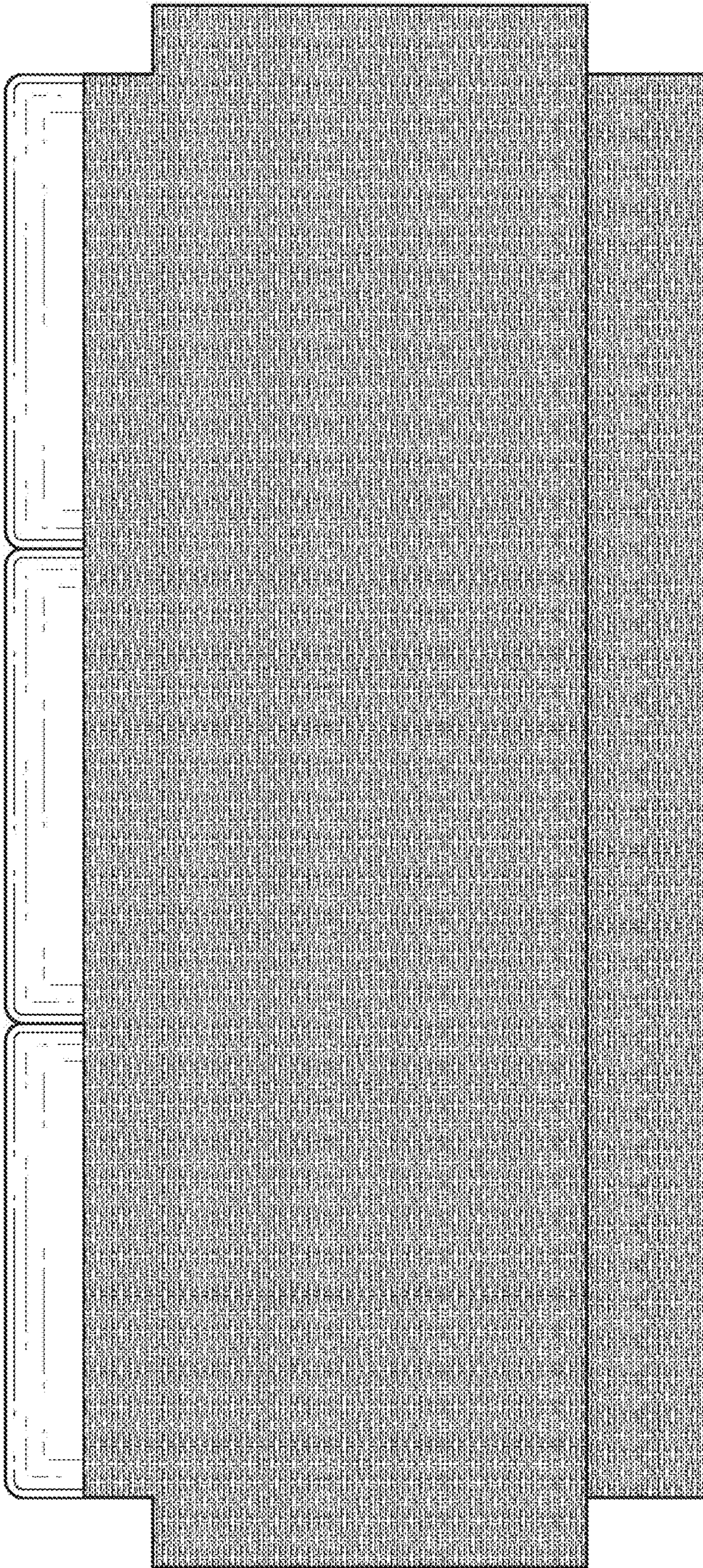


FIG. 4



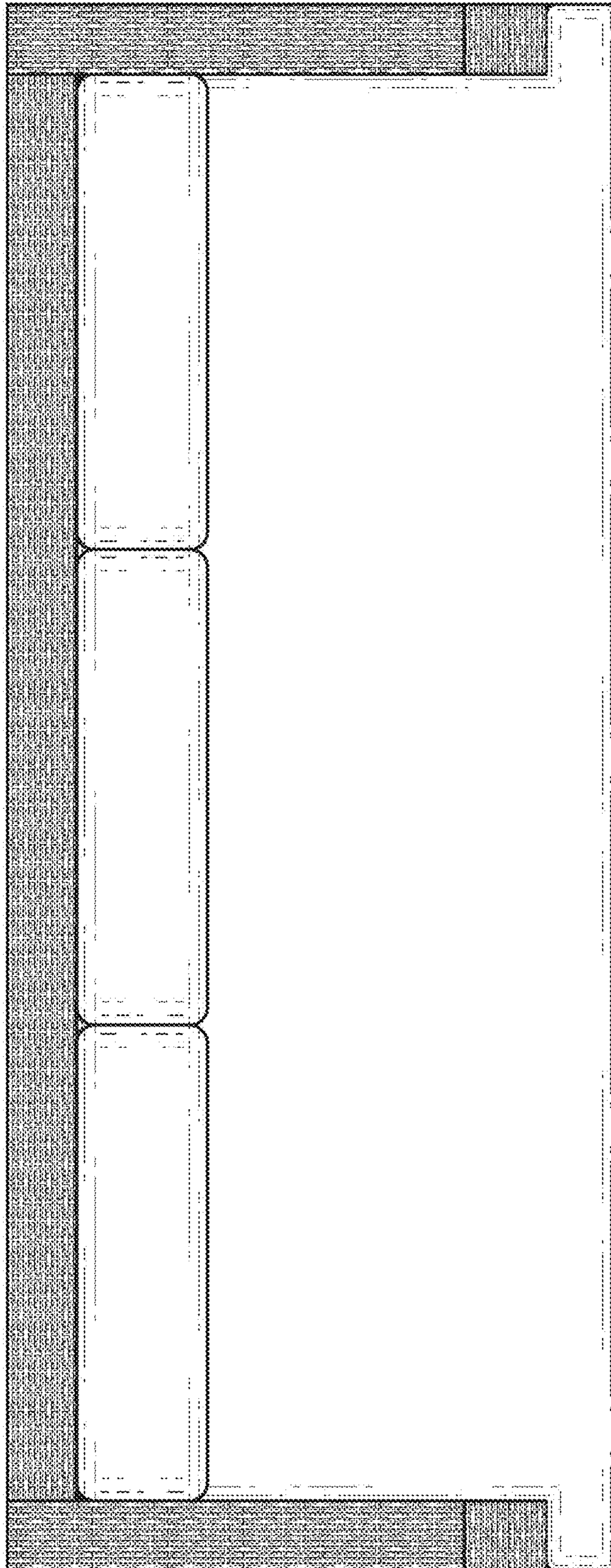


FIG. 5



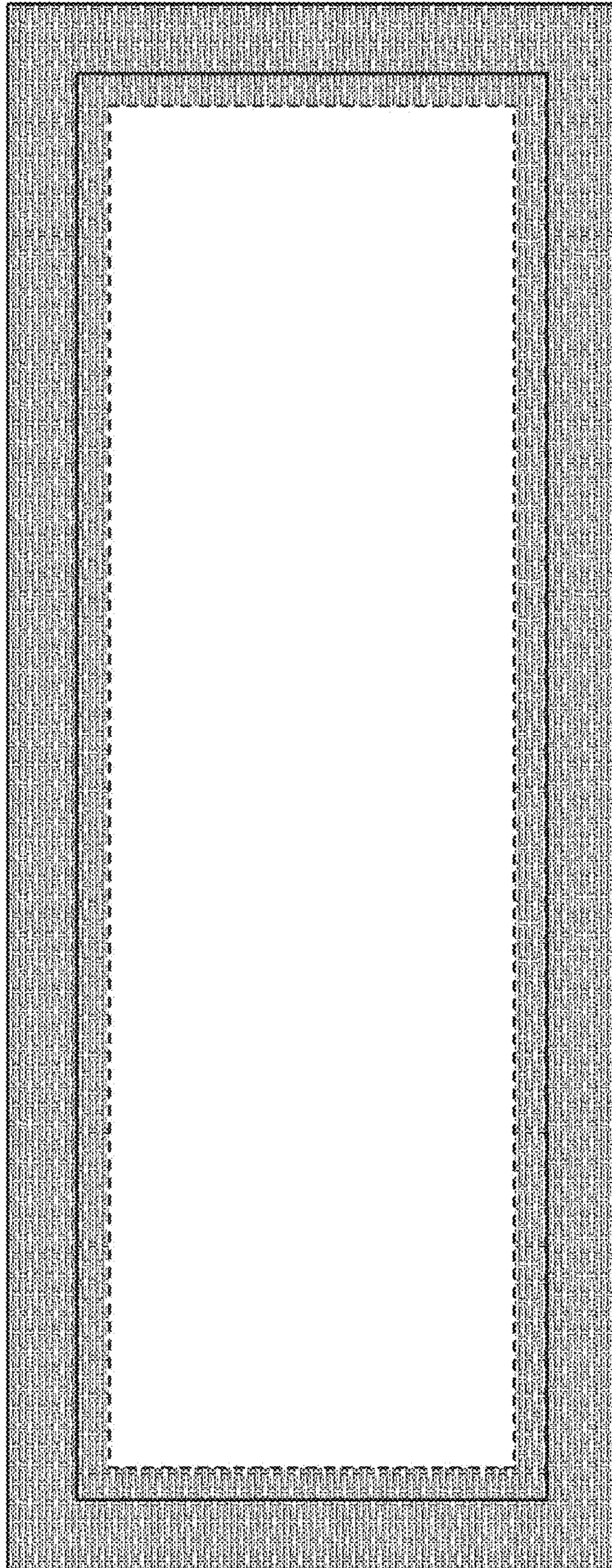


FIG. 6