



US00D815847S

(12) **United States Design Patent**
Vincent

(10) **Patent No.:** **US D815,847 S**
(45) **Date of Patent:** **** Apr. 24, 2018**

(54) **STOOL**

(71) Applicant: **Vincent Innovation Inc., Île -Perrot**
(CA)

(72) Inventor: **Patrick Vincent, Vaudreuil-Dorion**
(CA)

(73) Assignee: **Vincent Innovation, Inc., Ile-Perrot,**
CA (US)

(**) Term: **15 Years**

(21) Appl. No.: **29/575,915**

(22) Filed: **Aug. 30, 2016**

(30) **Foreign Application Priority Data**

Mar. 29, 2016 (CA) 167762

(51) **LOC (11) Cl.** **06-01**

(52) **U.S. Cl.**
USPC **D6/349**

(58) **Field of Classification Search**

USPC D6/334, 349-355, 358, 360-368,
D6/371-374, 403, 405, 601, 657, 675.4,
D6/685, 688.17, 690, 691-691.9,
D6/692-692.6, 693-693.3, 695, 708,
D6/708.15-708.25, 709.11; D25/62-65
CPC A47C 9/00-9/105; A47C 7/00-7/02; A47C
16/00-16/04; A47C 11/00; A47C 3/18;
A47C 3/20; A47C 12/00; A47C 13/00
See application file for complete search history.

(56) **References Cited**

U.S. PATENT DOCUMENTS

D152,153 S * 12/1948 Harvey D6/349
3,271,075 A * 9/1966 Good A47C 16/02
108/129
D206,379 S * 12/1966 Good D6/353

D221,072 S * 7/1971 Arenhold et al. D6/349
D273,252 S * 4/1984 Markson D6/353
D347,945 S * 6/1994 Walters-Leiter D6/353
D406,964 S * 3/1999 Lewis D6/349

(Continued)

OTHER PUBLICATIONS

Aerobic Adjustable Step Bench. [online] Retrieved Aug. 14, 2017
from URL: https://www.alibaba.com/product-detail/BIG-Fitness-Rebook-adjustable-Aerobic-Adjustable_60545896630.html?spm=a2700.7724857.main07.33.137f345a2HS16a&s=p.*

Primary Examiner — Vy N Koenig

(74) *Attorney, Agent, or Firm* — Williams Mullen; F.
Michael Sajovec

(57) **CLAIM**

The ornamental design for a stool, as shown and described.

DESCRIPTION

FIG. 1 is a top perspective view of a first embodiment of a stool showing my new design.

FIG. 2 a bottom perspective view thereof;

FIG. 3 is a side view thereof;

FIG. 4 is an end view thereof;

FIG. 5 is a top view thereof;

FIG. 6 is a bottom view thereof;

FIG. 7 is a top perspective view of a second embodiment of a stool showing my new design;

FIG. 8 a bottom perspective view thereof;

FIG. 9 is a side view thereof;

FIG. 10 is an end view thereof;

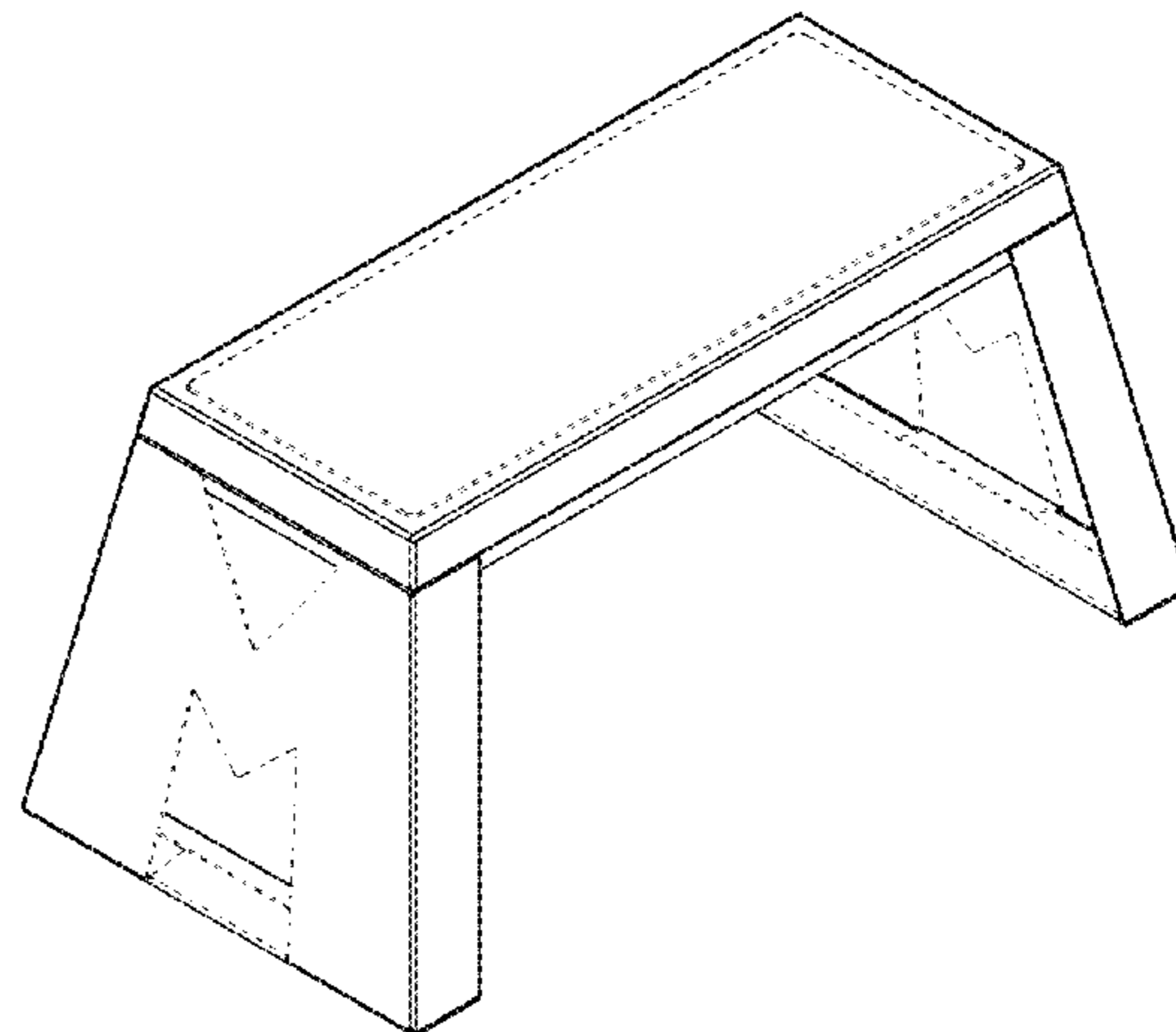
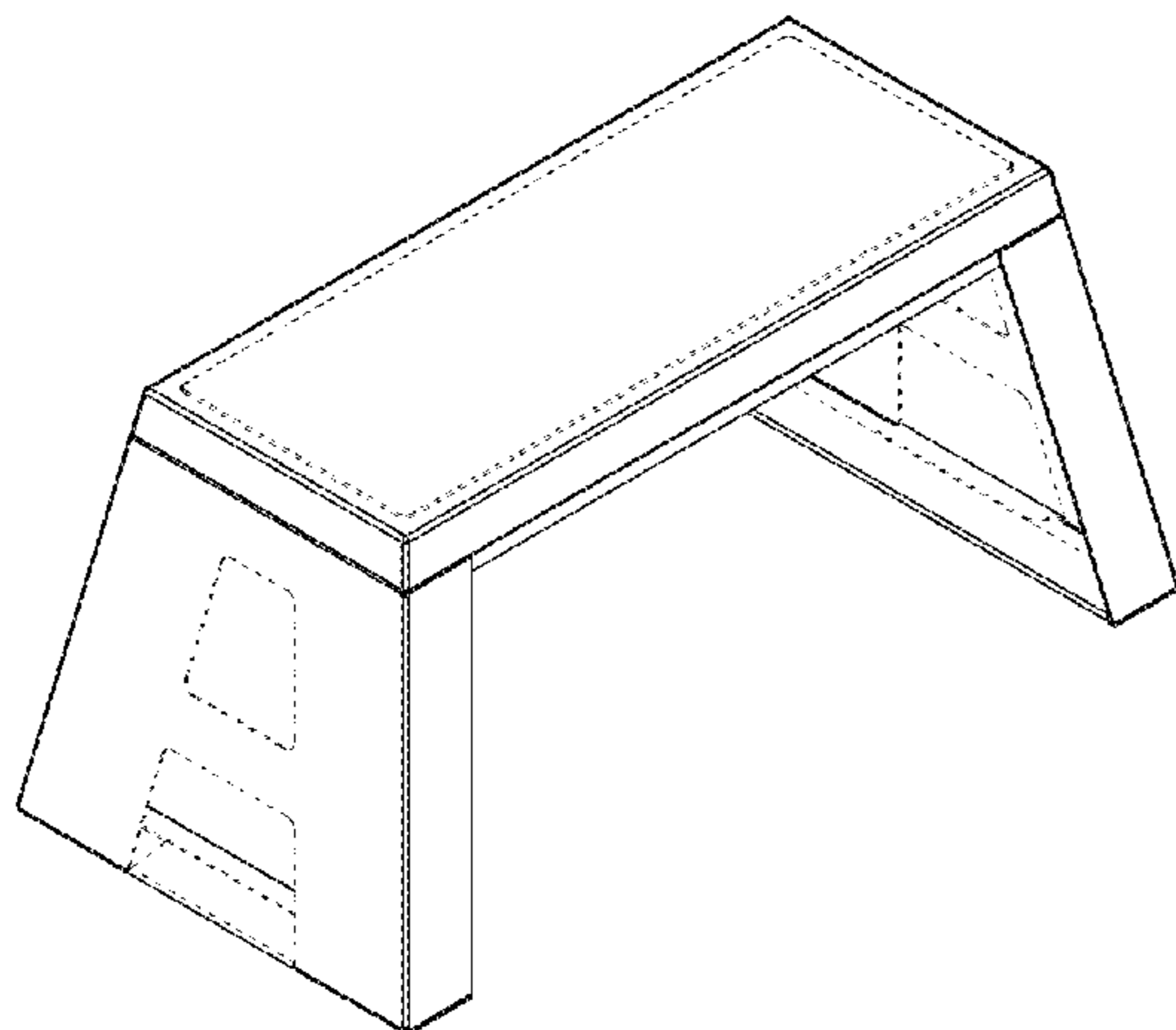
FIG. 11 is a top view thereof; and,

FIG. 12 is a bottom view thereof.

The broken lines in the drawings depict portions of the stool that form no part of the claimed invention.

The design lies in the shape, ornament, pattern and configuration of the article shown in the drawings. The portions shown in stippled lines do not form part of the design.

1 Claim, 6 Drawing Sheets



(56)

References Cited

U.S. PATENT DOCUMENTS

6,568,506 B1 * 5/2003 Donnalley A47C 12/02
108/129
D567,395 S * 4/2008 Bishop D25/65
D600,928 S * 9/2009 Rake D6/353
D600,929 S * 9/2009 Kemnitzer D6/353
D665,180 S * 8/2012 Ekelchik D6/353
8,465,100 B2 * 6/2013 Kim A47C 16/025
297/423.41
D787,845 S * 5/2017 Edwards D6/353
2004/0231918 A1 * 11/2004 Meeker A47C 12/02
182/33
2005/0264079 A1 * 12/2005 Selby A01B 75/00
297/423.11
2013/0048428 A1 * 2/2013 Chancler A47C 9/10
182/155
2015/0083522 A1 * 3/2015 Chancler A47C 9/10
182/152

* cited by examiner

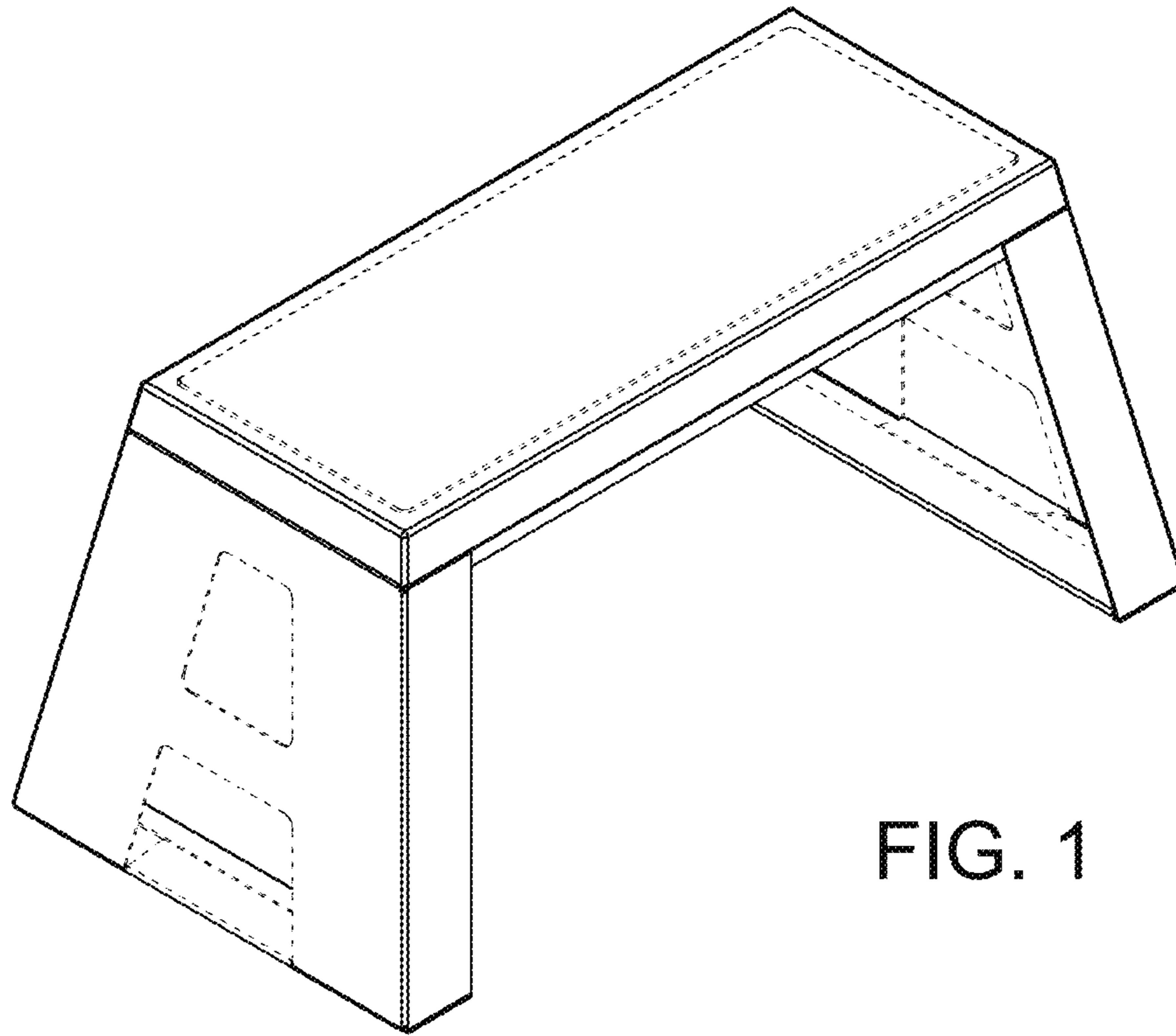


FIG. 1

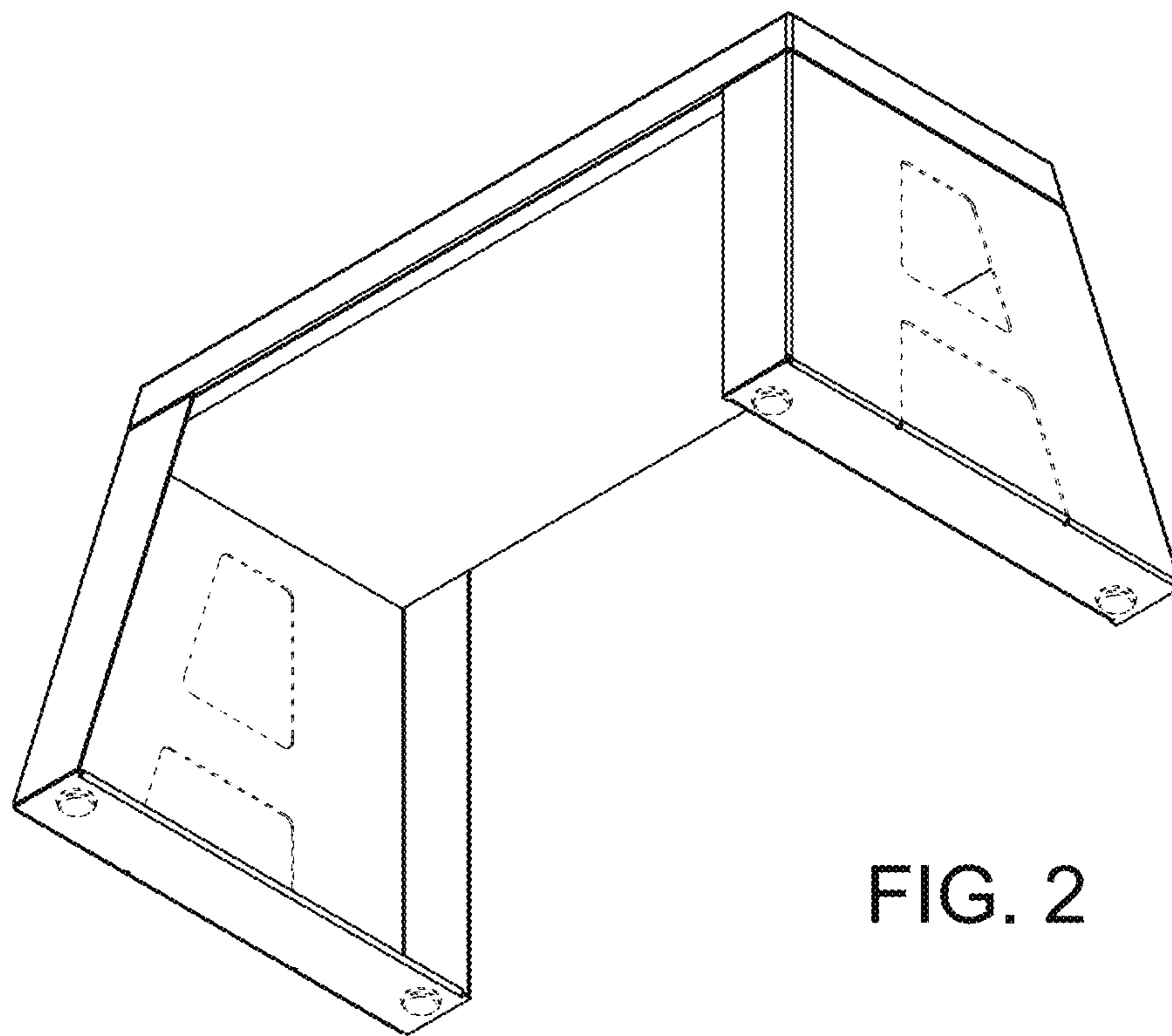


FIG. 2

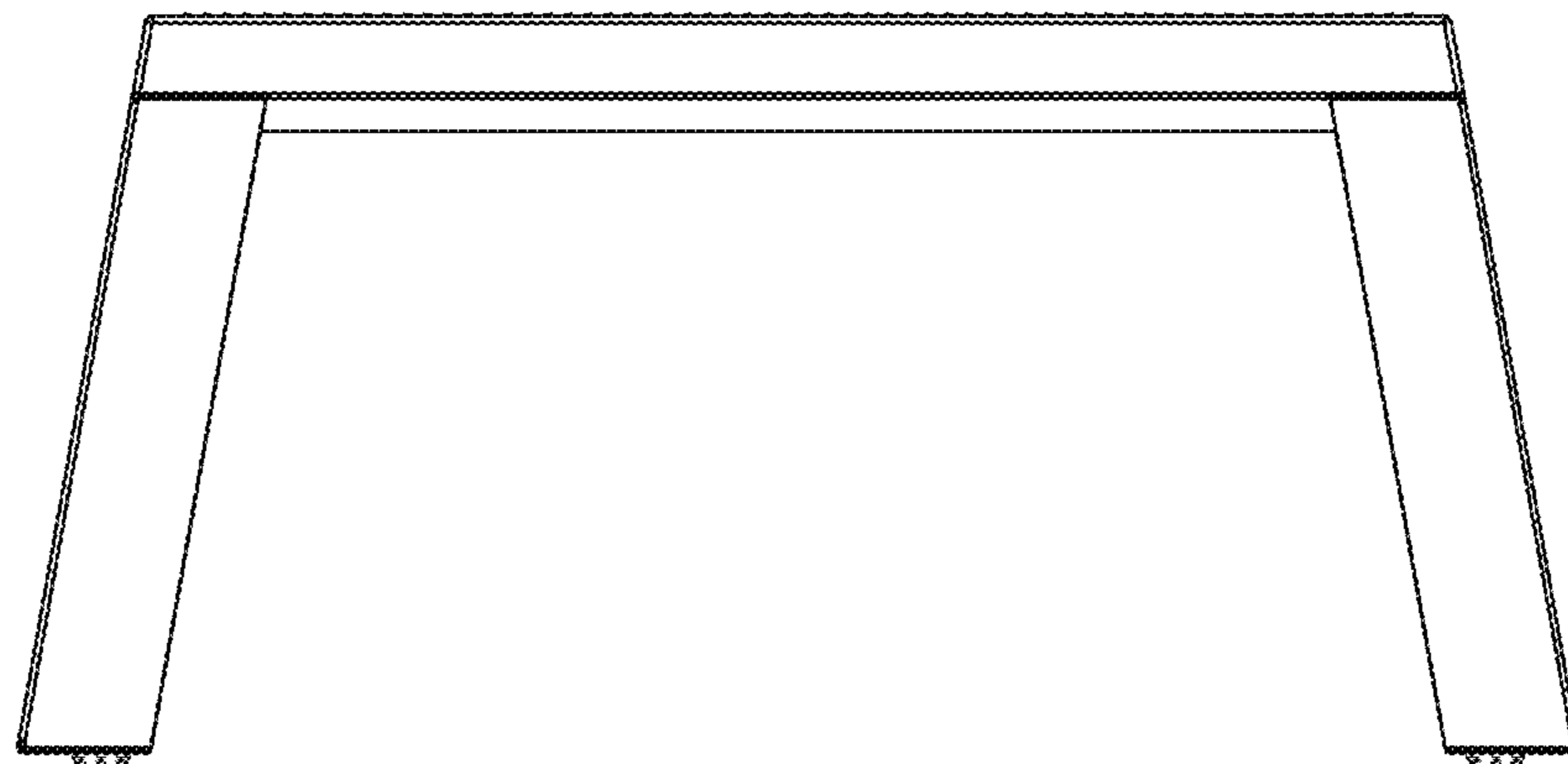


FIG. 3

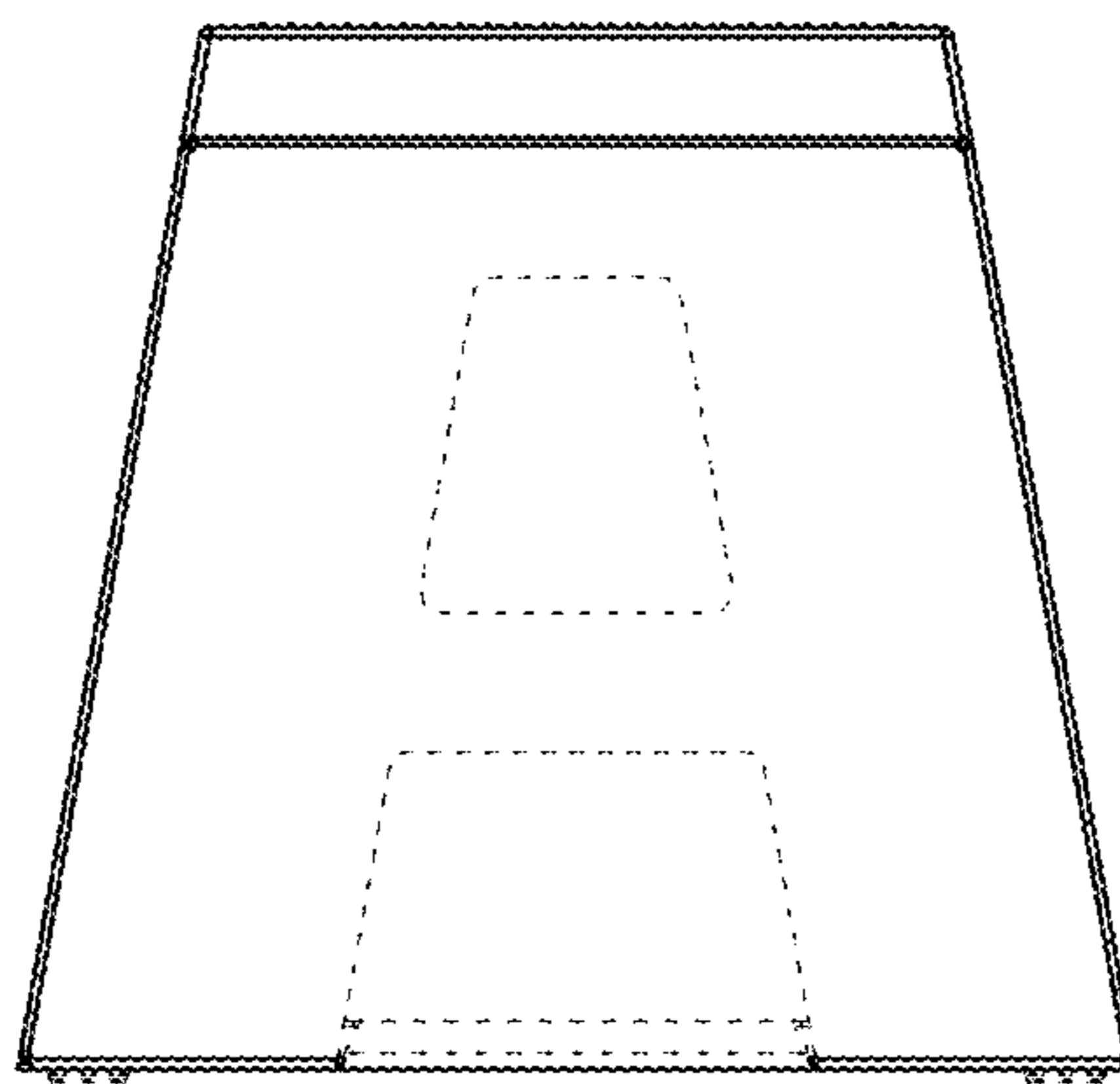


FIG. 4

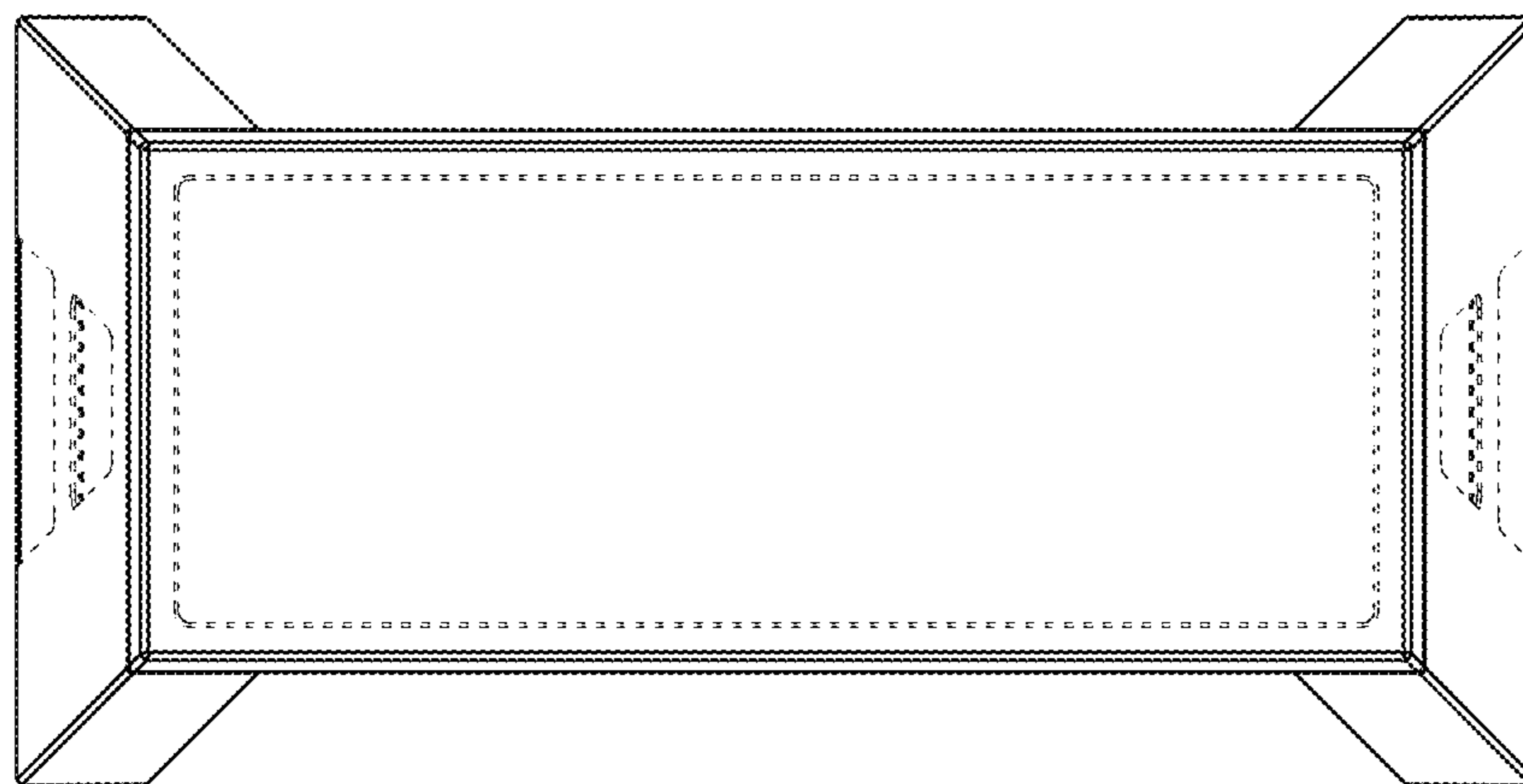


FIG. 5

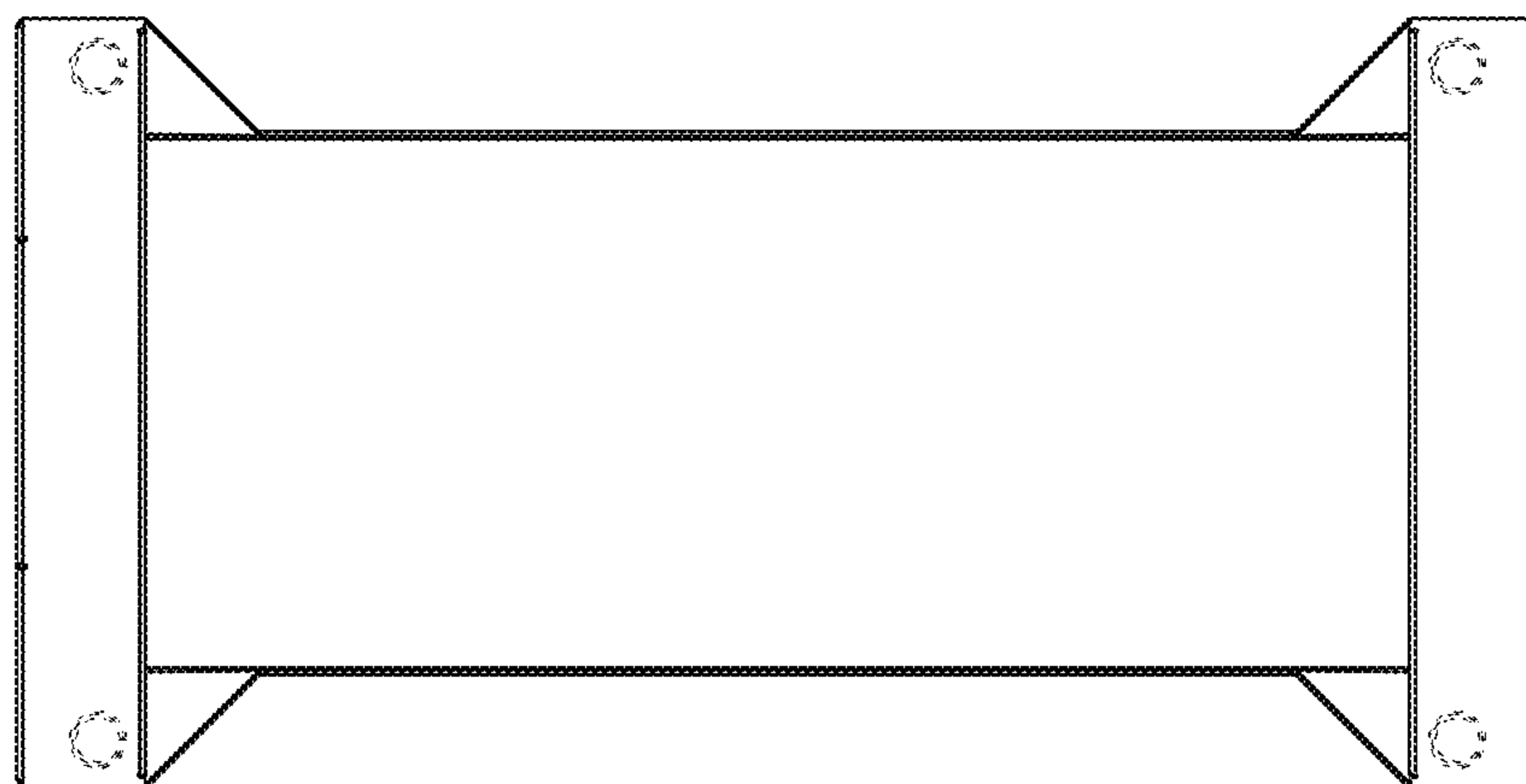


FIG. 6

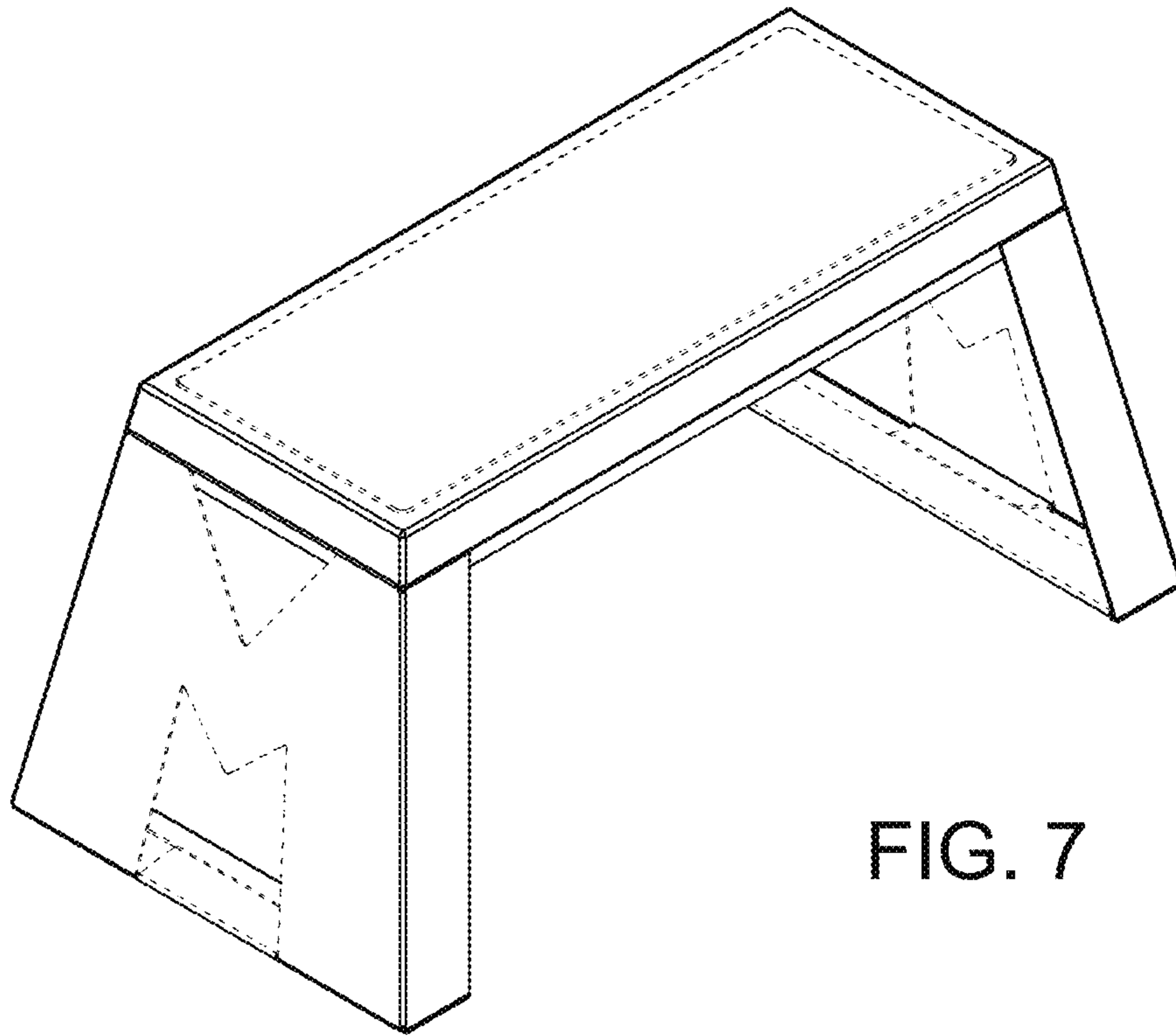


FIG. 7

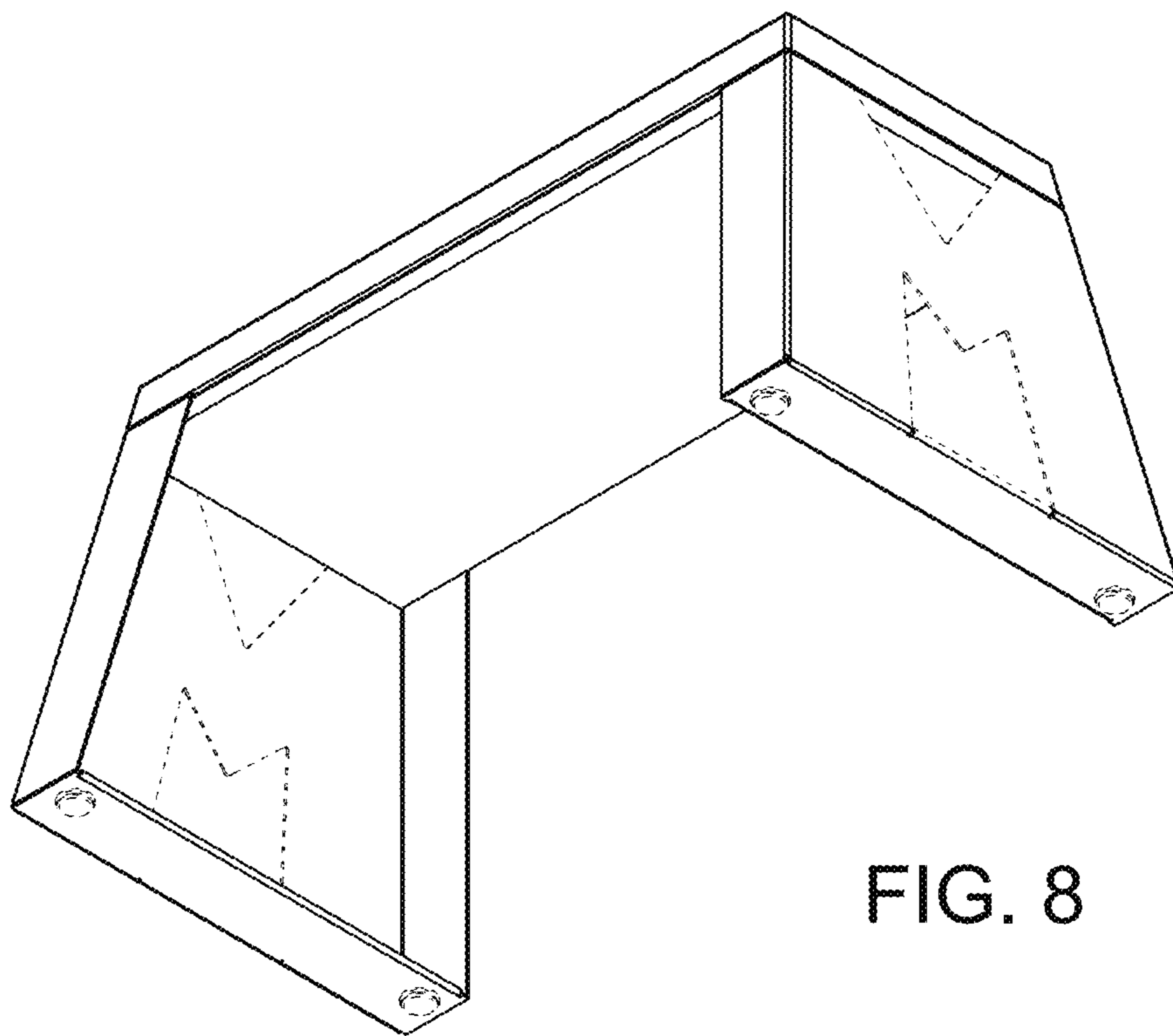


FIG. 8

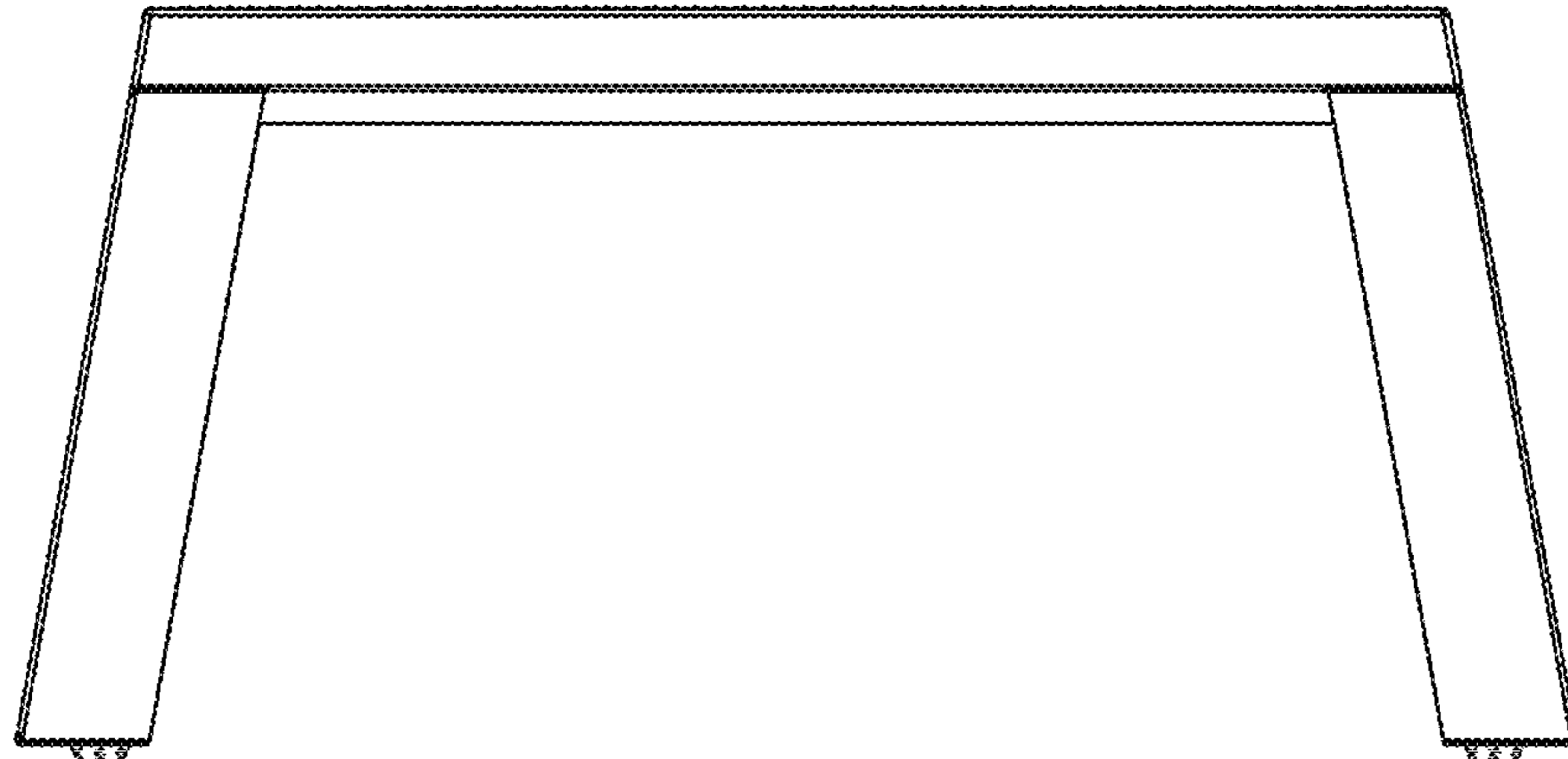


FIG. 9

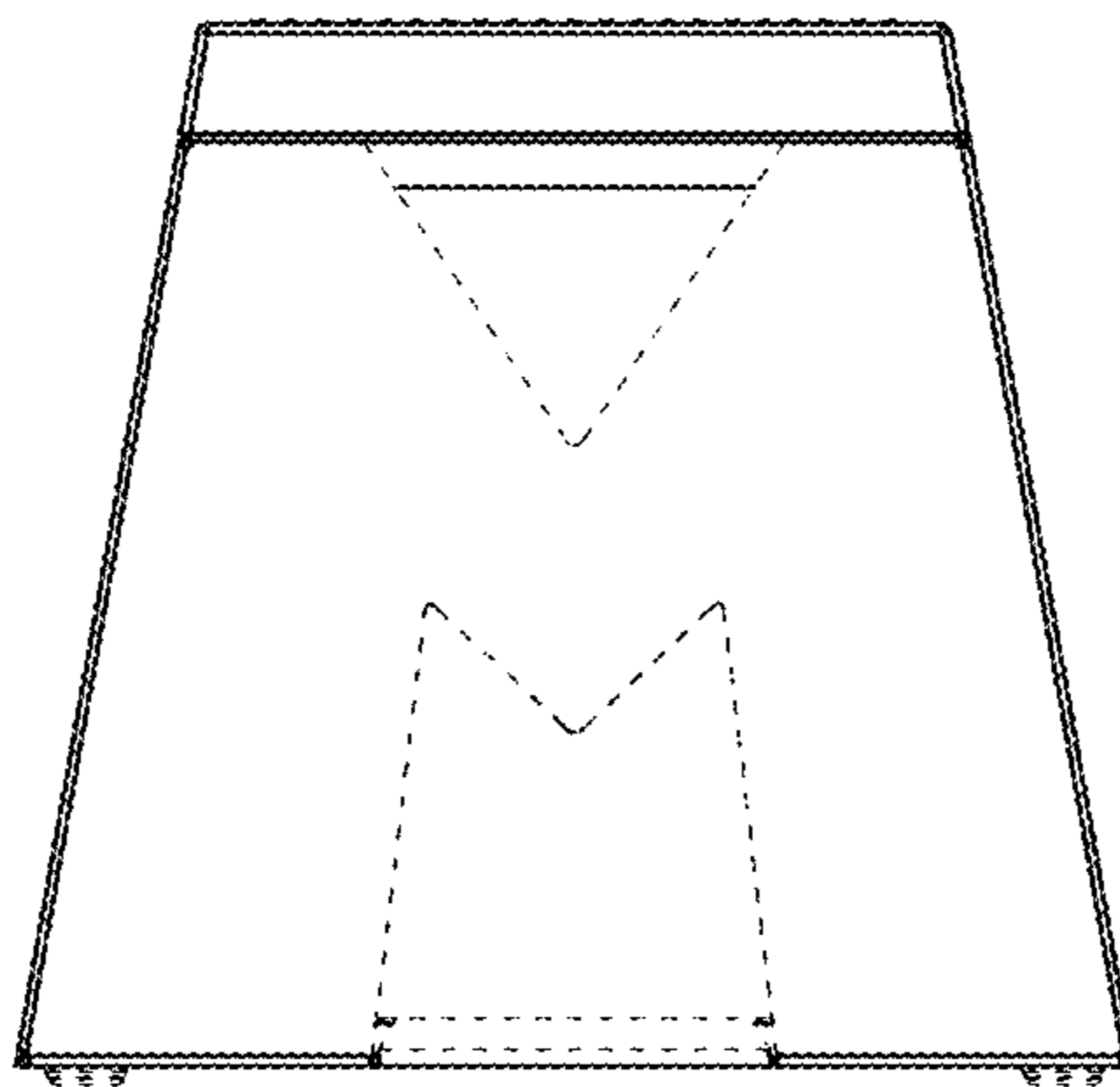


FIG. 10

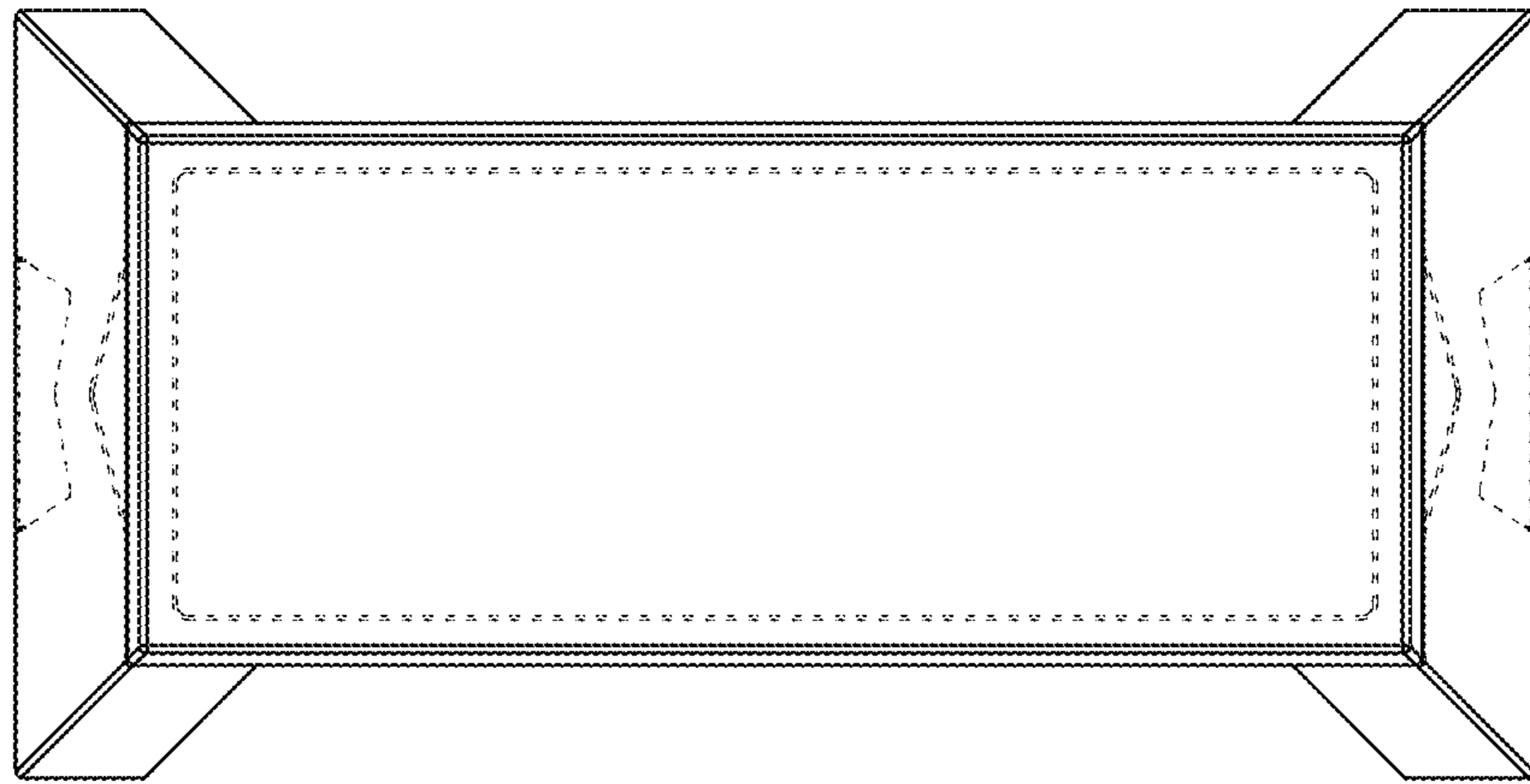


FIG. 11

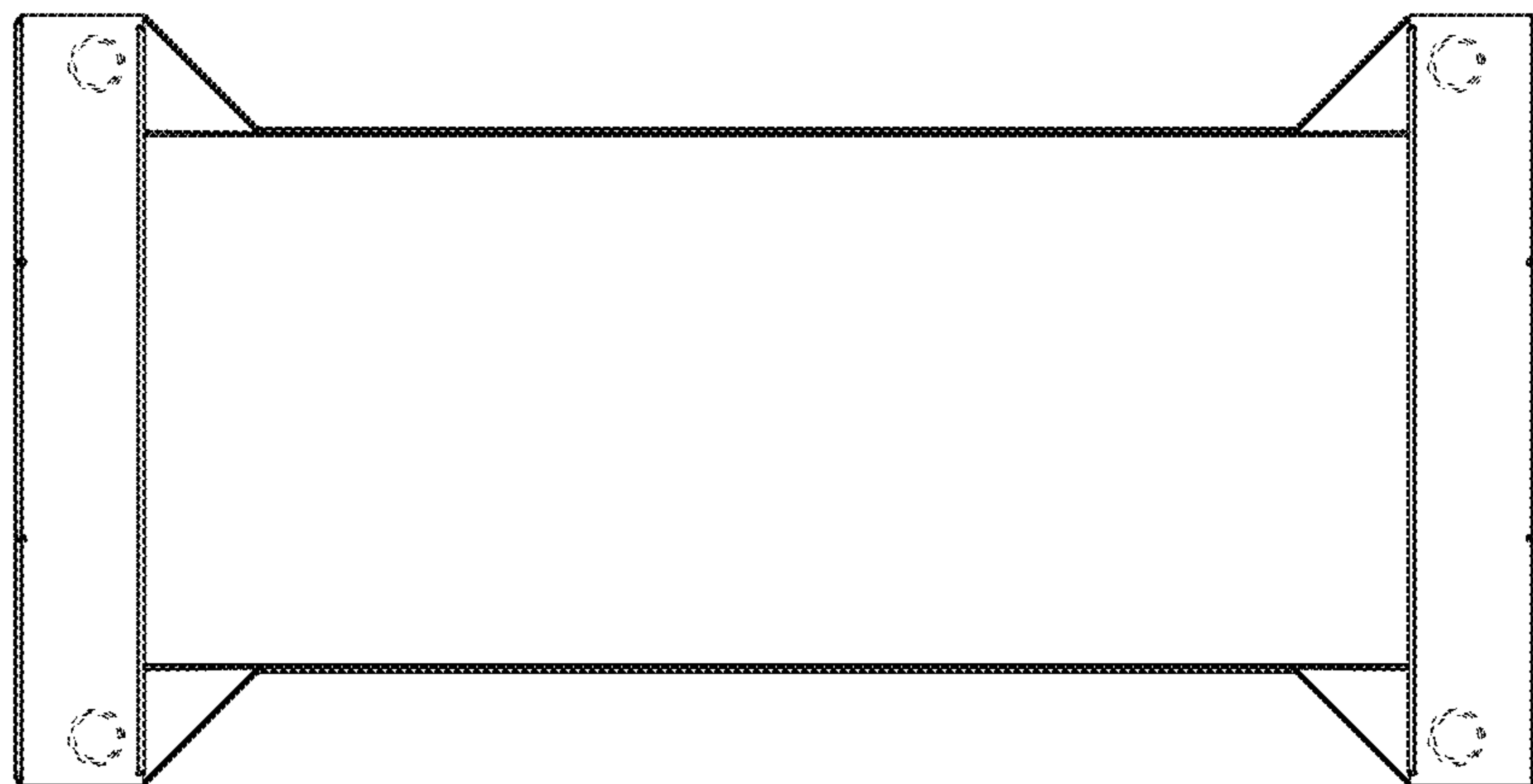


FIG. 12