



US00D815846S

(12) **United States Design Patent**
Lee

(10) **Patent No.:** **US D815,846 S**
(45) **Date of Patent:** **** Apr. 24, 2018**

- (54) **GLIDER**
- (71) Applicant: **JBL INTERNATIONAL, INC,**
Houston, TX (US)
- (72) Inventor: **Lawrence K. Lee,** Houston, TX (US)
- (73) Assignee: **JBL INTERNATIONAL, INC,**
Houston, TX (US)
- (**) Term: **15 Years**
- (21) Appl. No.: **29/569,022**
- (22) Filed: **Jun. 23, 2016**
- (51) **LOC (11) Cl.** **06-01**
- (52) **U.S. Cl.**
USPC **D6/344**
- (58) **Field of Classification Search**
USPC D6/334-336, 344, 347, 370, 371, 373,
D6/374, 716, 716.1, 716.2, 716.3, 716.4
CPC A47C 3/02; A47C 3/03; A47C 4/03; A47C
3/0255; A47C 4/022; A47C 7/68
See application file for complete search history.

6,244,658 B1 * 6/2001 Parent A47C 3/0255
297/270.1
D444,635 S * 7/2001 Noll D6/344
D450,937 S * 11/2001 Pomeroy D6/344
7,334,840 B2 * 2/2008 Deans A47C 3/0255
297/270.1

OTHER PUBLICATIONS

Country Garden Collection Sell Sheet. Jack-Post Corporation, dated Mar. 27, 2013, available at <<http://www.jack-post.com/wp-content/uploads/2013/10/Country-Garden-Collection-Sell-Sheet-R7-20-Print-Ready.pdf>>.

* cited by examiner

Primary Examiner — Mimosa De
(74) *Attorney, Agent, or Firm* — Egbert Law Offices, PLLC

(57) **CLAIM**

The ornamental design for a glider, as shown and described.

DESCRIPTION

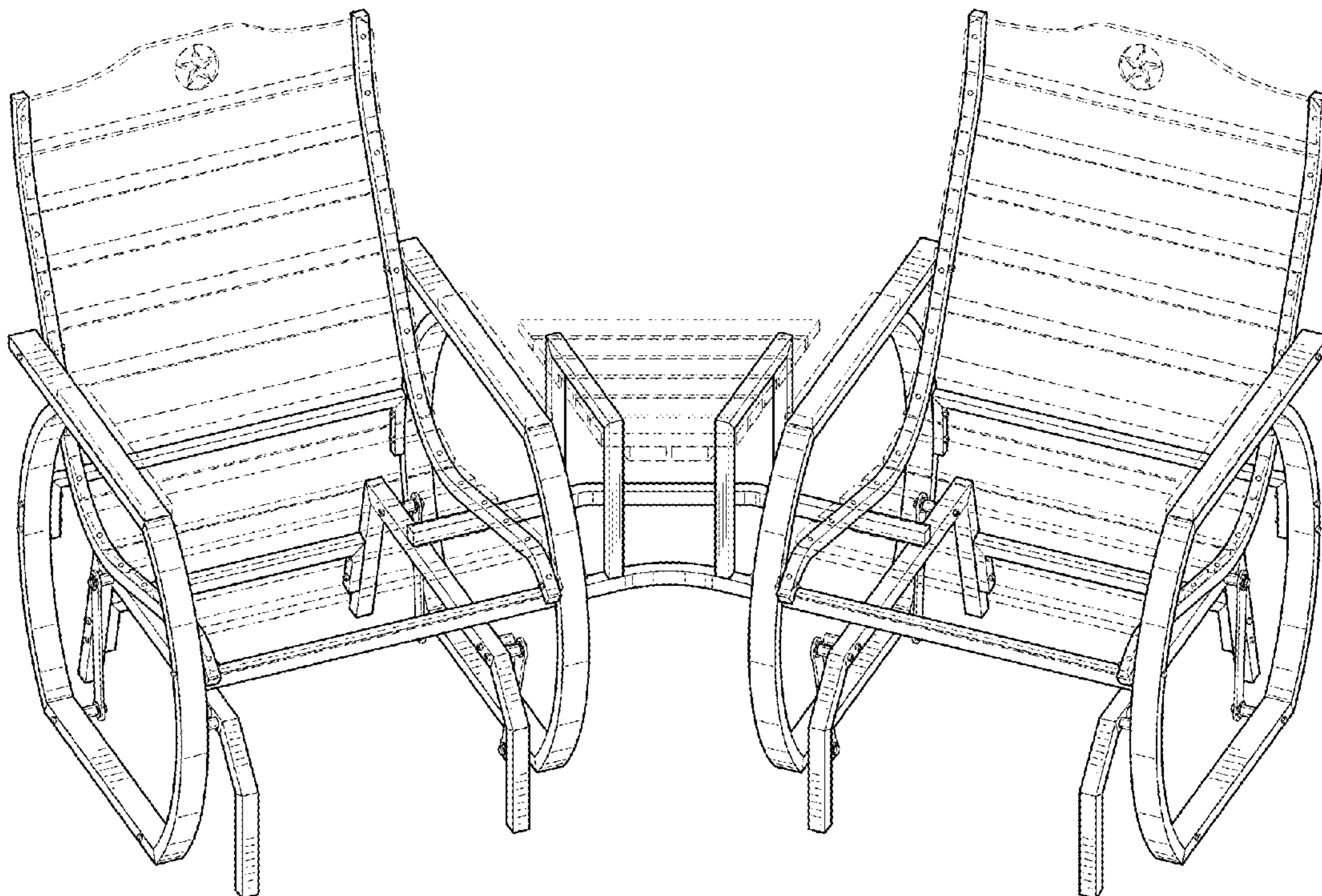
FIG. 1 is a perspective view of a glider showing my new design.
FIG. 2 is a front view thereof;
FIG. 3 is a rear view thereof;
FIG. 4 is a side view thereof;
FIG. 5 is an opposite side view thereof;
FIG. 6 is a top view thereof; and,
FIG. 7 is a bottom view thereof.
The features presented in broken lines represent unclaimed portions of the glider and form no part of the claimed design.

1 Claim, 3 Drawing Sheets

(56) **References Cited**

U.S. PATENT DOCUMENTS

| | | | | | |
|------------|---|---------|---------|-------|--------|
| D423,801 S | * | 5/2000 | Noll | | D6/344 |
| D430,743 S | * | 9/2000 | Pomeroy | | D6/336 |
| D432,323 S | * | 10/2000 | Pomeroy | | D6/344 |
| D434,573 S | * | 12/2000 | Noll | | D6/344 |
| D443,425 S | * | 6/2001 | Pomeroy | | D6/344 |



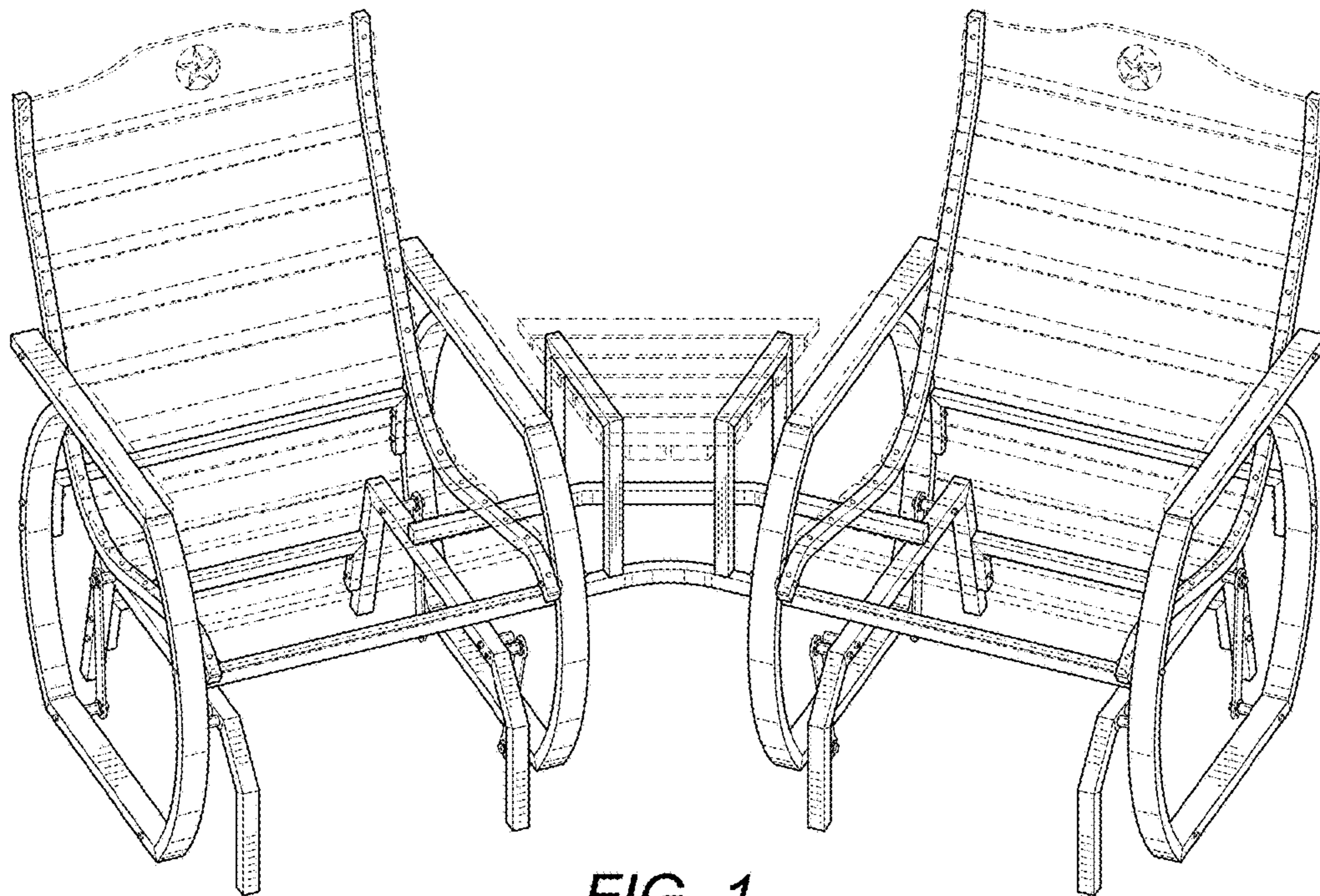


FIG. 1

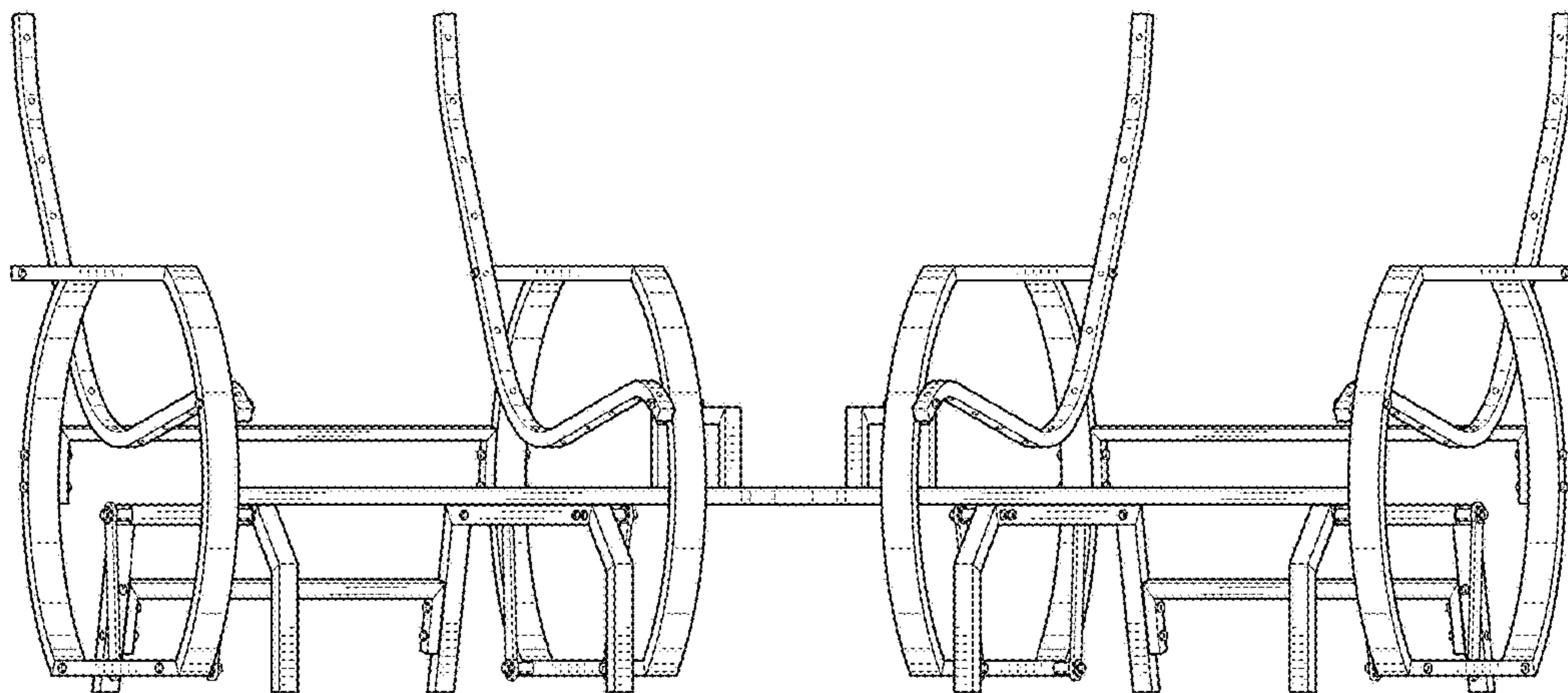


FIG. 2

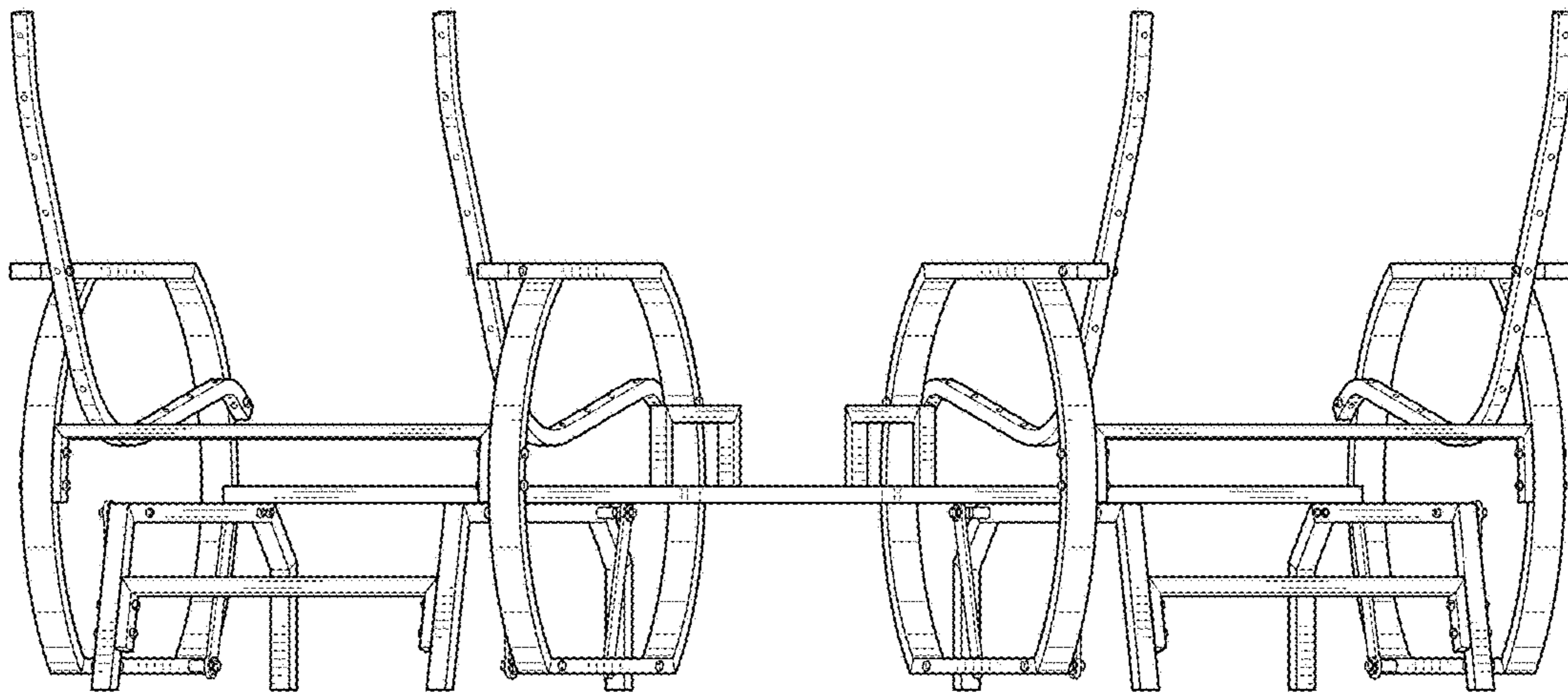


FIG. 3

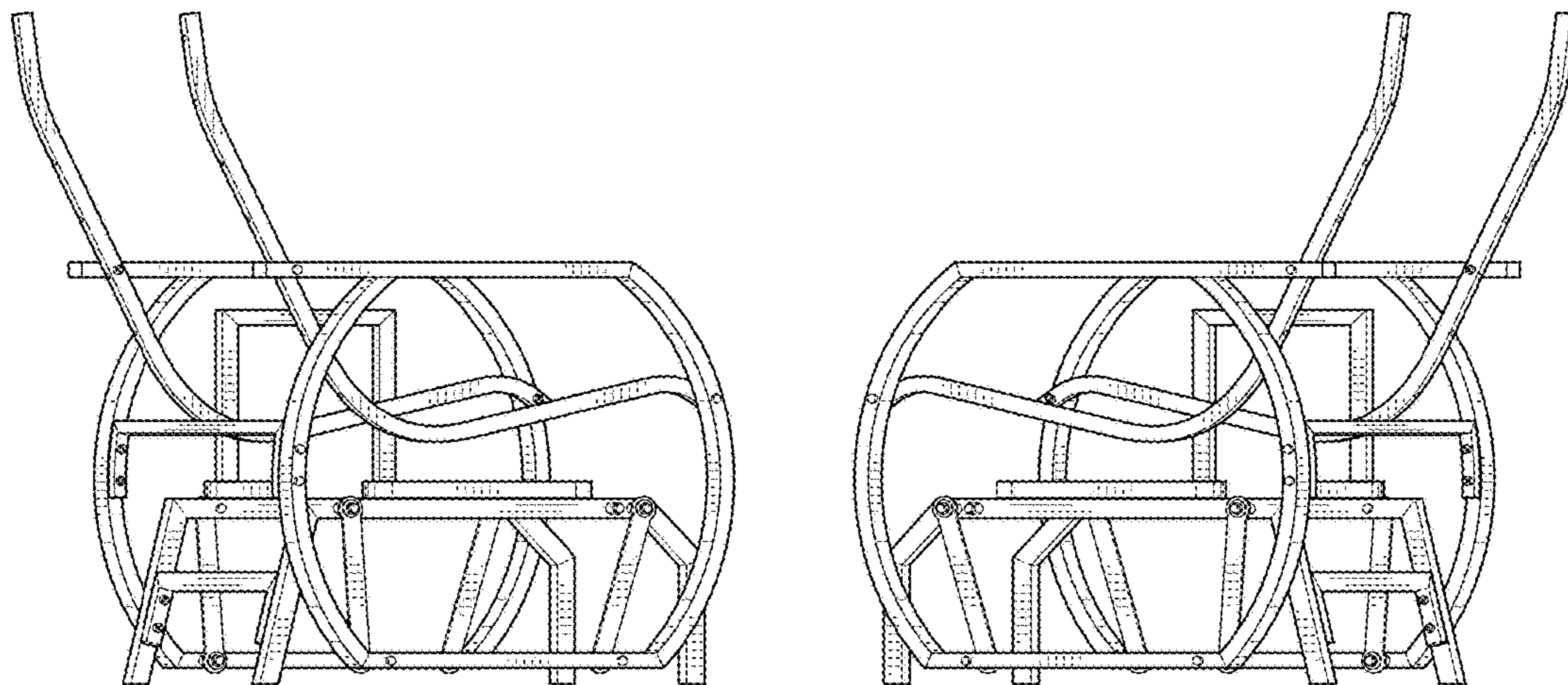


FIG. 4

FIG. 5

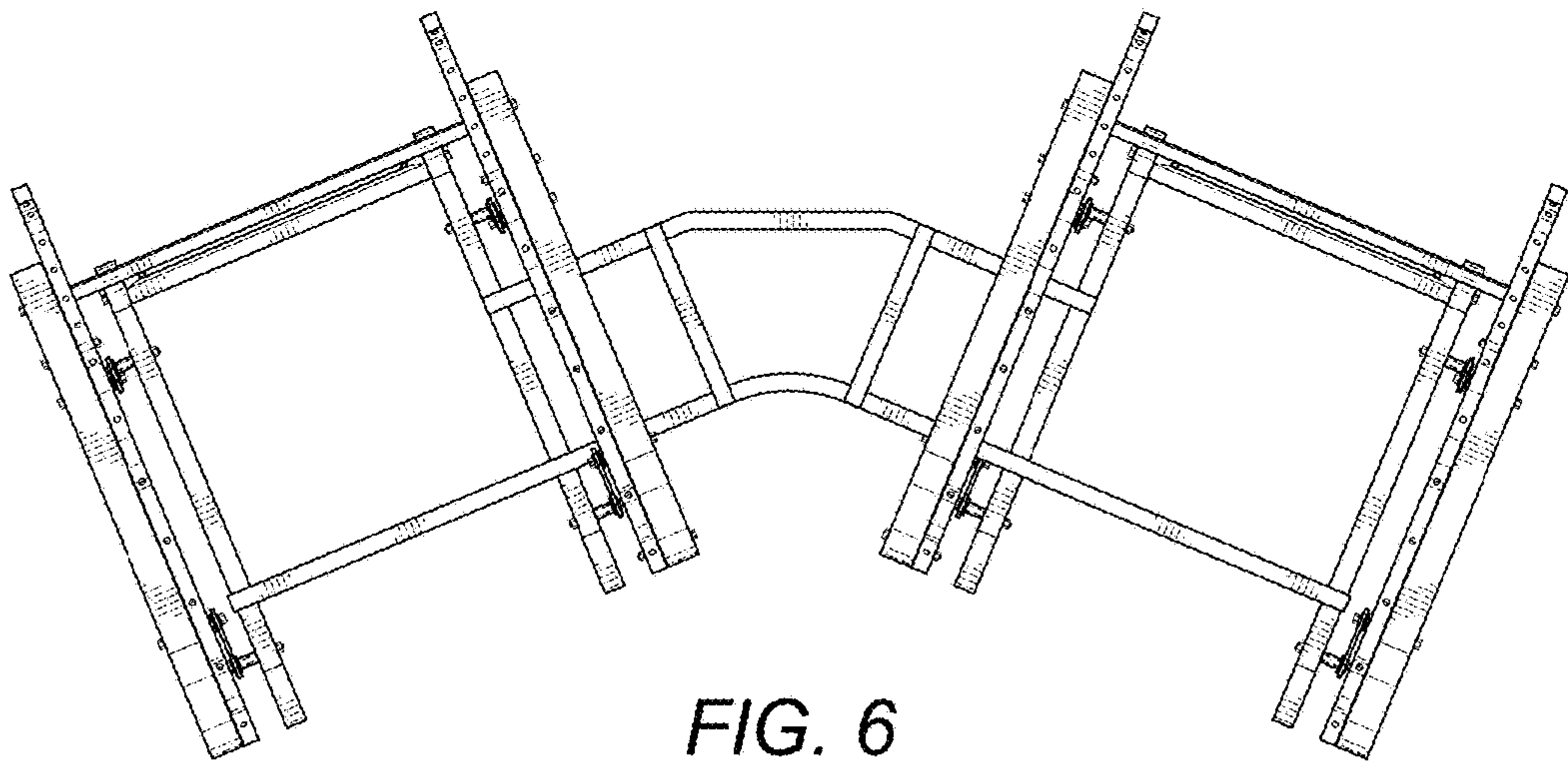


FIG. 6

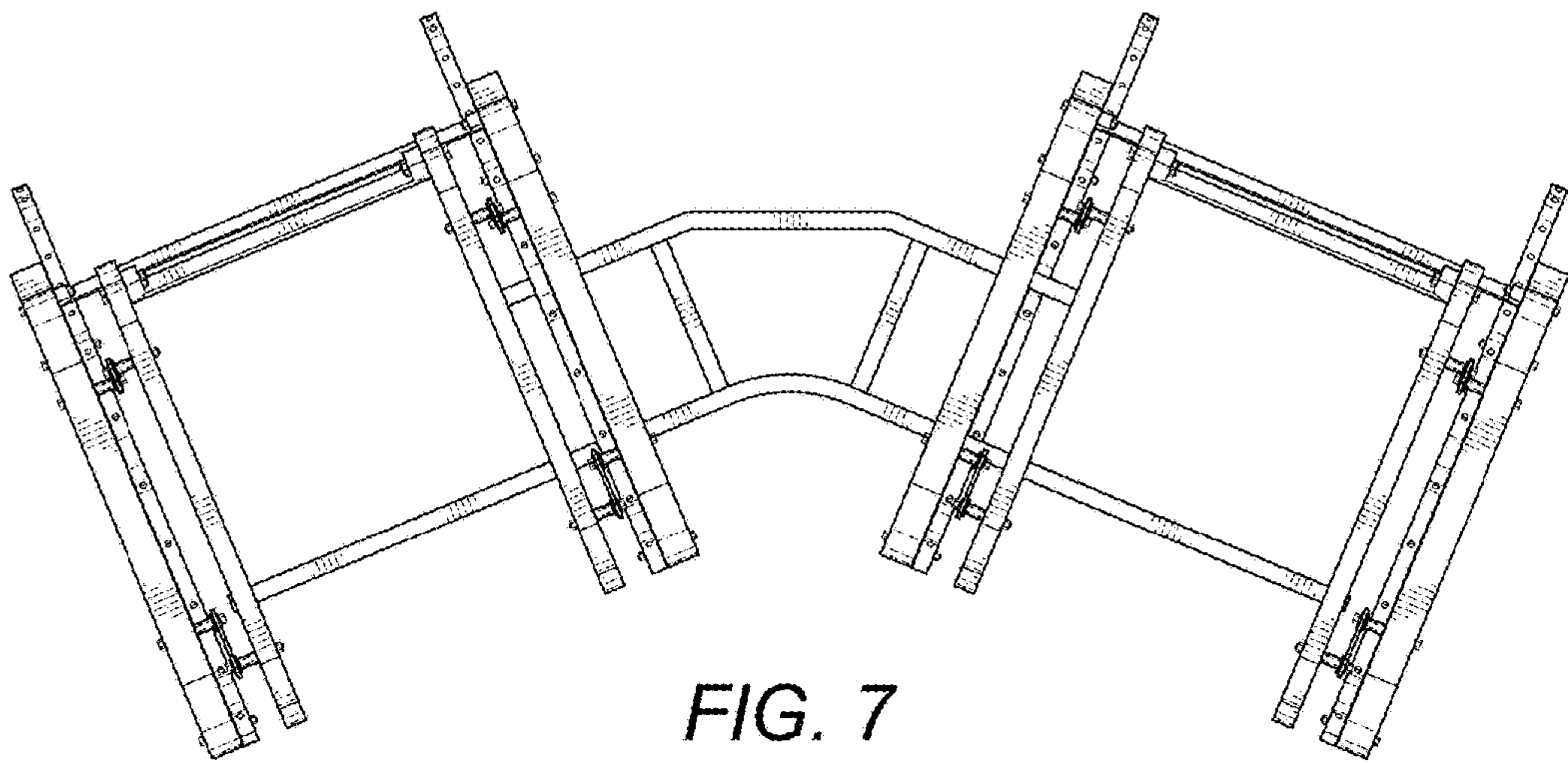


FIG. 7