

US00D815844S

(12) **United States Design Patent**  
**Schoonover**

(10) **Patent No.:** **US D815,844 S**  
(45) **Date of Patent:** **\*\* Apr. 24, 2018**

- (54) **RINSE HANGER**
- (71) Applicant: **Reeflection, LLC**, Vista, CA (US)
- (72) Inventor: **Joshua S. Schoonover**, Carlsbad, CA (US)
- (73) Assignee: **REEFLECTION, LLC**, Carlsbad, CA (US)
- (\*\*) Term: **15 Years**
- (21) Appl. No.: **29/561,752**
- (22) Filed: **Apr. 19, 2016**

2,546,600 A \* 3/1951 Holden ..... A47G 25/743  
211/45  
D185,716 S \* 7/1959 Nalle ..... 223/96  
2,939,588 A \* 6/1960 Nalle, Jr. .... A47G 25/485  
211/113  
3,207,392 A \* 9/1965 Ericson ..... A47G 25/28  
223/85  
3,603,491 A \* 9/1971 Weight ..... A47G 25/487  
223/96  
D233,813 S \* 12/1974 Shyffer ..... D6/315  
D279,527 S \* 7/1985 Peterson ..... D6/326  
D280,144 S \* 8/1985 Cooney ..... D32/35  
D318,377 S \* 7/1991 Ropeter ..... D6/315  
D355,980 S \* 3/1995 Dallaire ..... D6/318  
D365,448 S \* 12/1995 Travis ..... D6/315  
D383,883 S \* 9/1997 Langley ..... D23/214  
D426,924 S \* 6/2000 Joiner ..... D32/35  
8,381,413 B2 \* 2/2013 Smith ..... F26B 25/18  
211/116  
9,492,025 B1 \* 11/2016 Wu ..... A47G 25/18

**Related U.S. Application Data**

- (63) Continuation-in-part of application No. 14/940,080, filed on Nov. 12, 2015.
- (51) **LOC (11) Cl.** ..... **06-08**
- (52) **U.S. Cl.**  
USPC ..... **D6/315; D32/35**
- (58) **Field of Classification Search**  
USPC ..... D6/315-328; 223/85-98; 211/10, 13.1, 211/85.3, 86.01, 87.01, 113, 119  
CPC ..... A47G 25/28; A47G 25/38; A47G 25/14; A47G 25/442; A47G 25/483; A47G 25/485; A47G 25/4023; Y10S 223/04; A47F 5/0006  
See application file for complete search history.

*Primary Examiner* — Derrick Holland  
*Assistant Examiner* — Lauren Calve  
(74) *Attorney, Agent, or Firm* — Coastal Patent Law Group, P.C.

(57) **CLAIM**

I claim the ornamental design for a rinse hanger, as shown and described.

**DESCRIPTION**

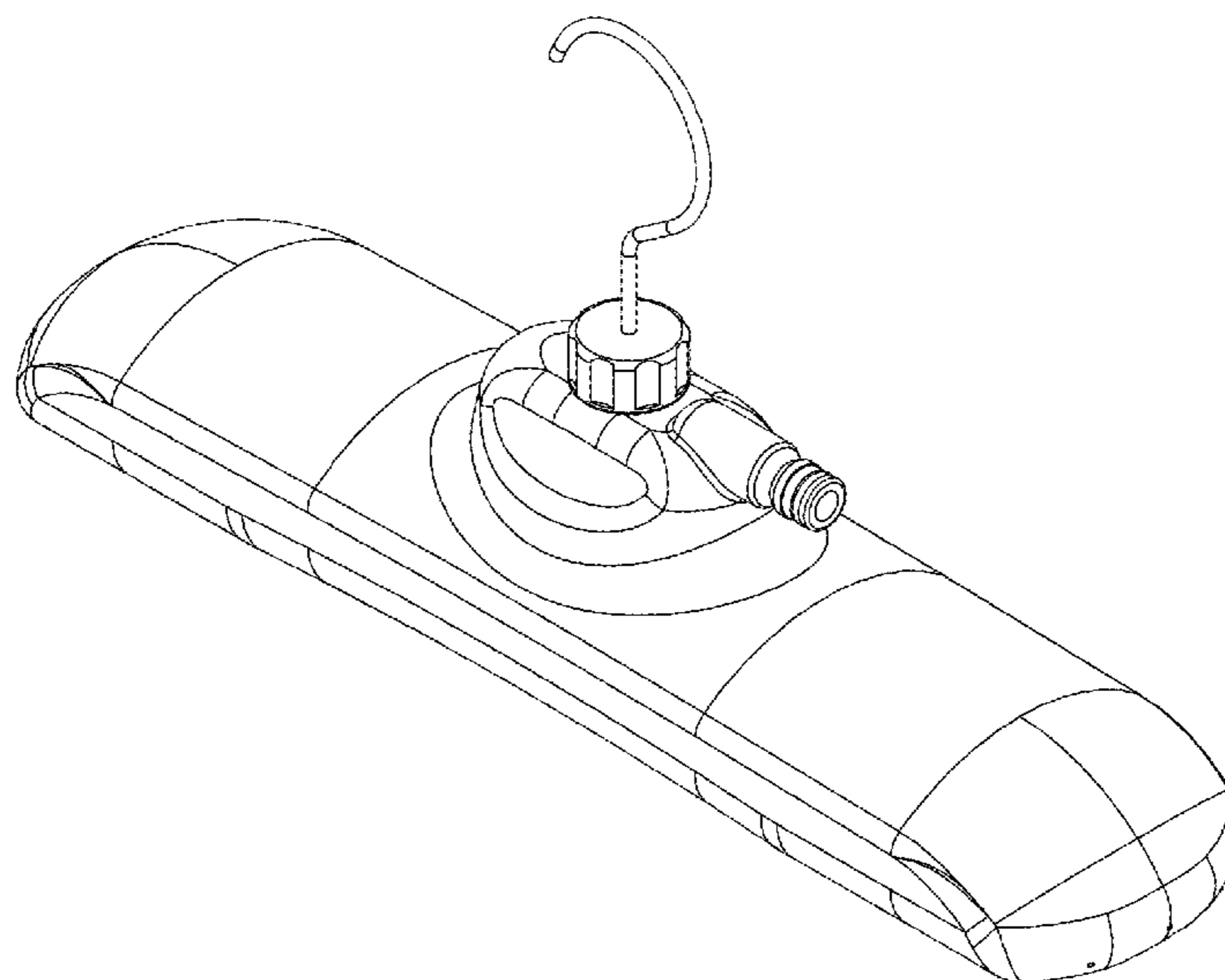
FIG. 1 is a front perspective view of a rinse hanger;  
FIG. 2 is a front view thereof;  
FIG. 3 is a rear view thereof;  
FIG. 4 is a right side view thereof;  
FIG. 5 is a left side view thereof;  
FIG. 6 is a top plan view thereof; and,  
FIG. 7 is a bottom plan view thereof.  
The broken lines shown represent unclaimed subject matter and form no part of the claimed design.

**1 Claim, 3 Drawing Sheets**

(56) **References Cited**

**U.S. PATENT DOCUMENTS**

D143,020 S \* 11/1945 Melford ..... 223/92  
2,394,879 A \* 2/1946 Snook ..... A47G 25/487  
223/96  
2,426,292 A \* 8/1947 Appleman ..... A47G 25/32  
223/90  
2,452,346 A \* 10/1948 Appleman ..... A47G 25/443  
223/90



(56)

**References Cited**

U.S. PATENT DOCUMENTS

2007/0272717 A1\* 11/2007 Sturione ..... A47G 25/743  
223/85  
2016/0066730 A1\* 3/2016 Schoonover ..... A47G 25/20  
223/85  
2016/0081507 A1\* 3/2016 Hall ..... A47G 25/28  
223/85

\* cited by examiner

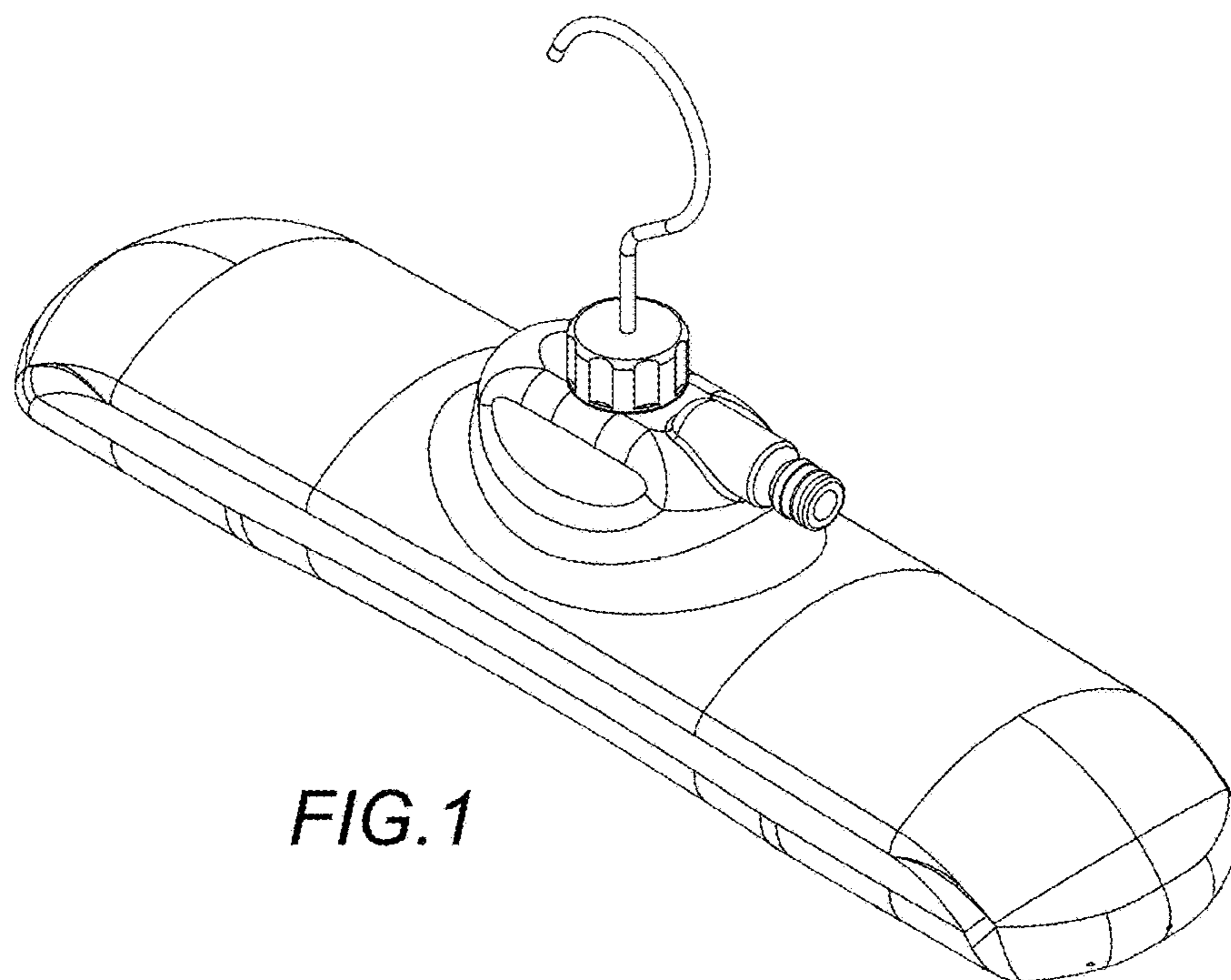


FIG. 1

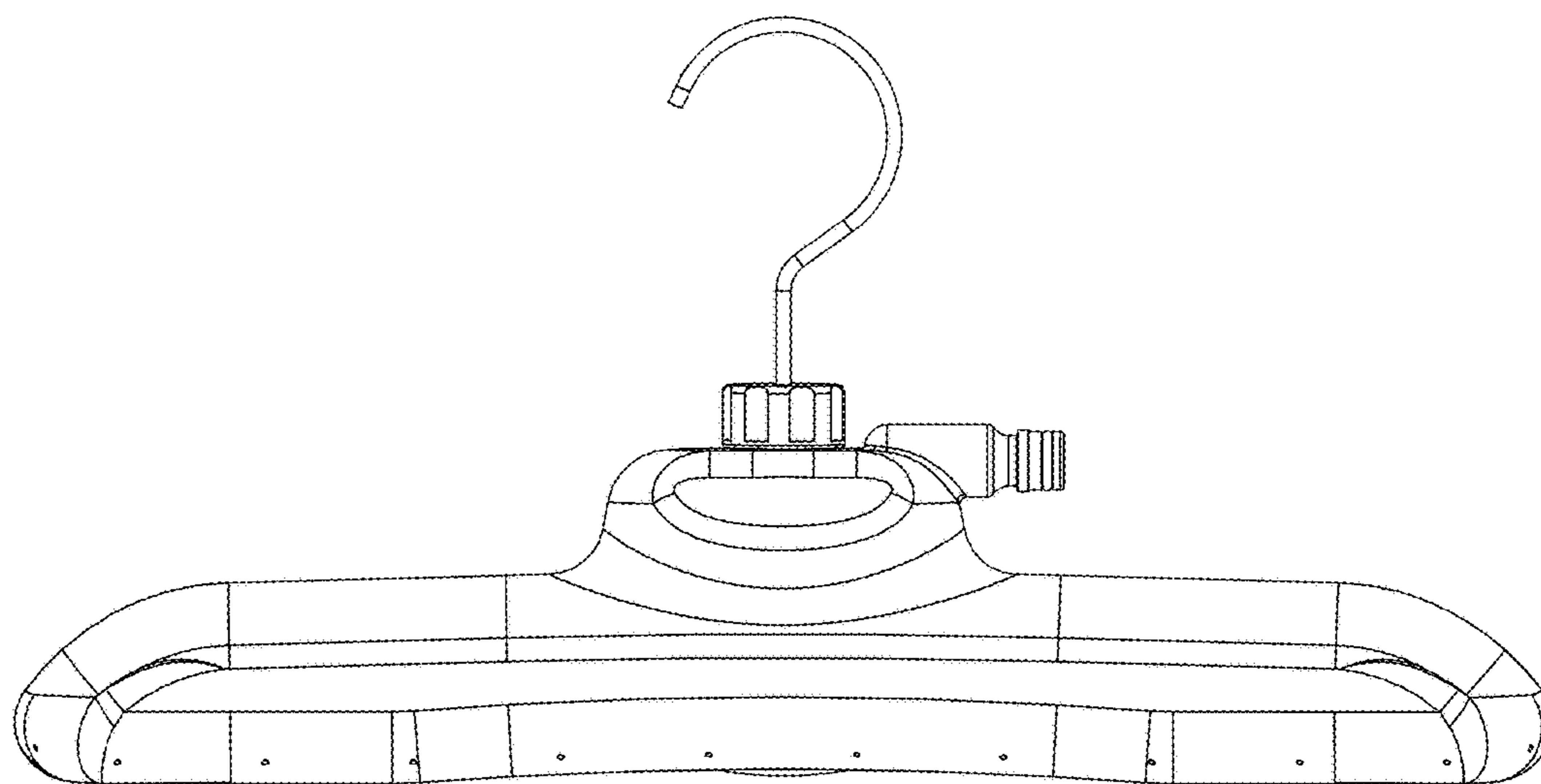


FIG. 2

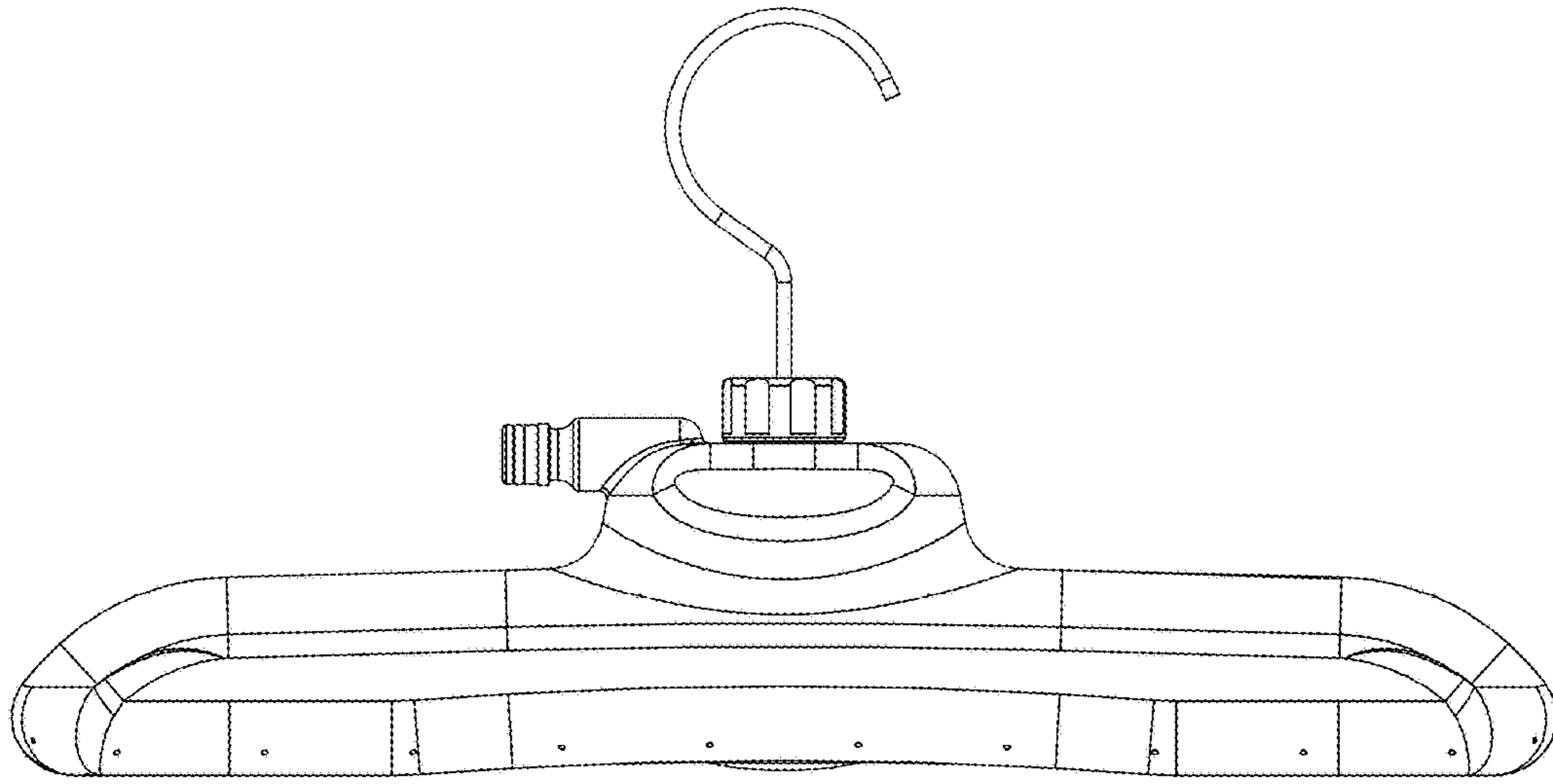


FIG. 3

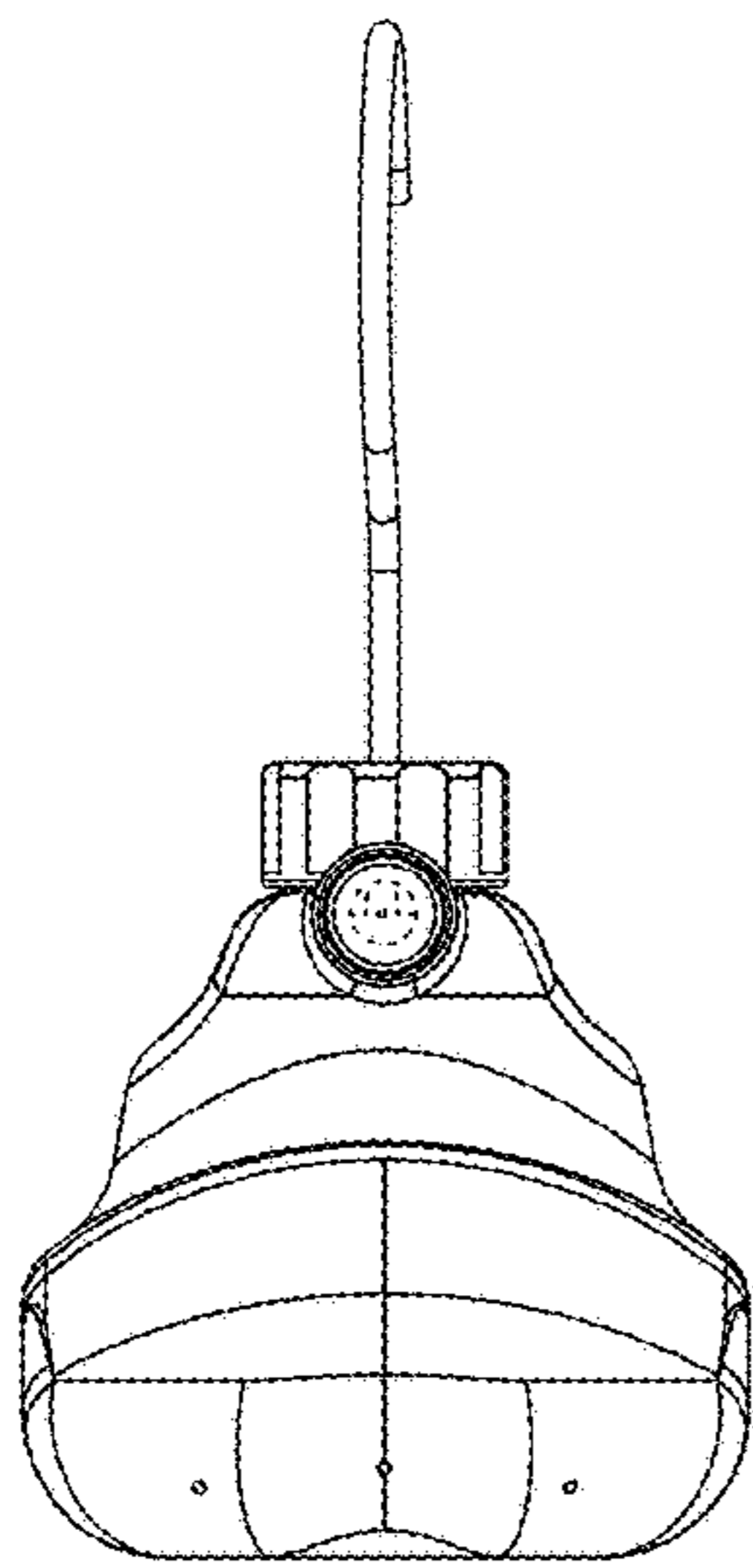


FIG. 4

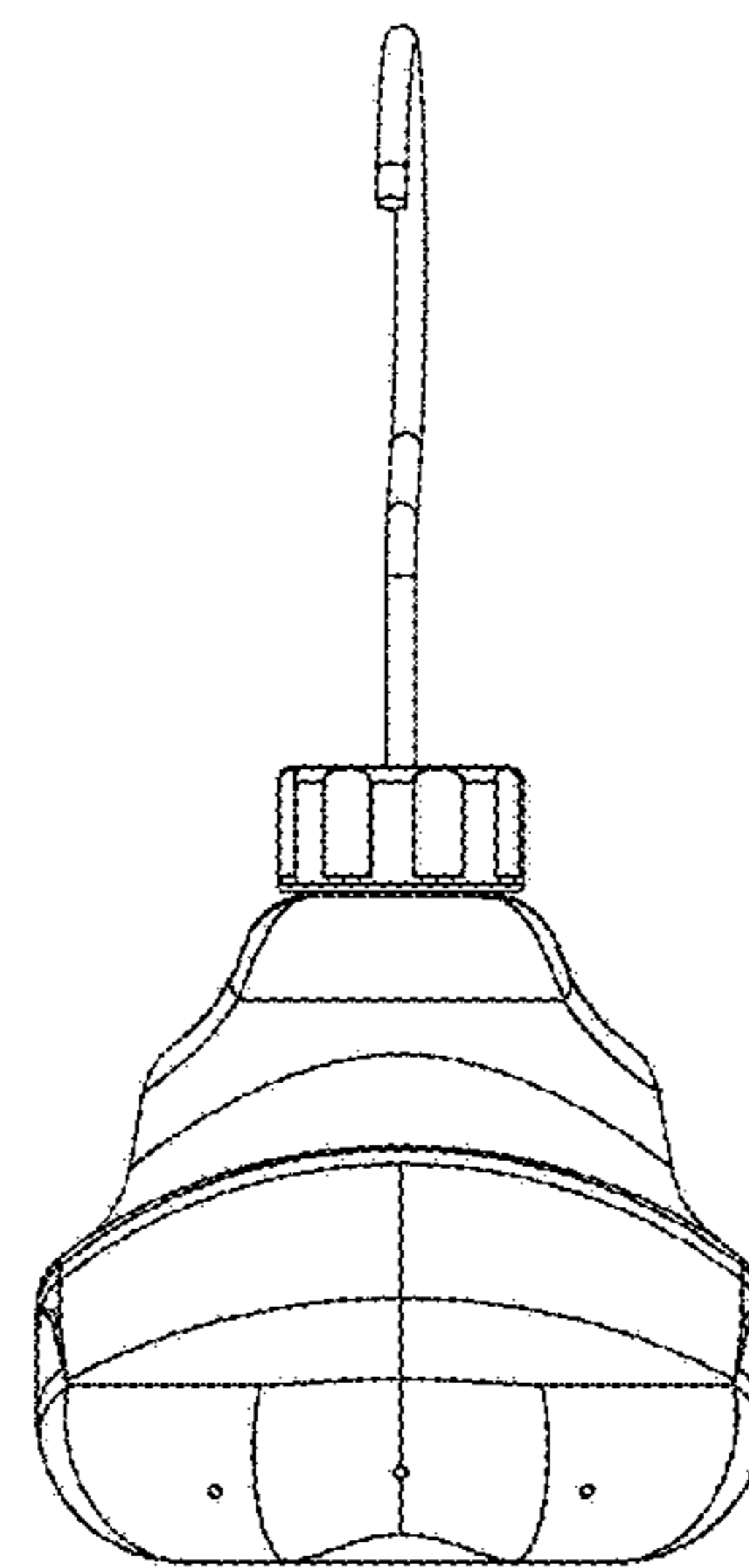
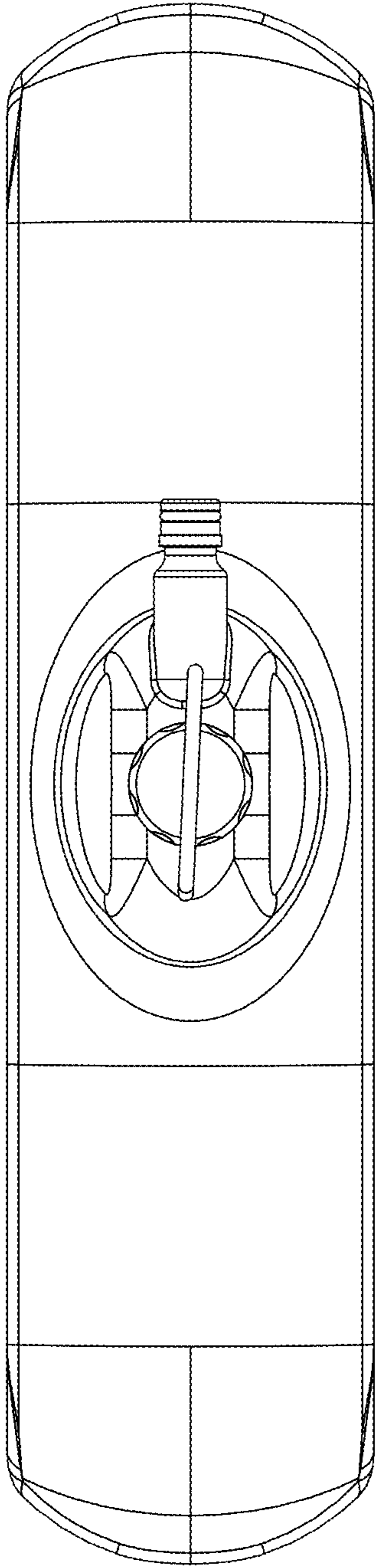
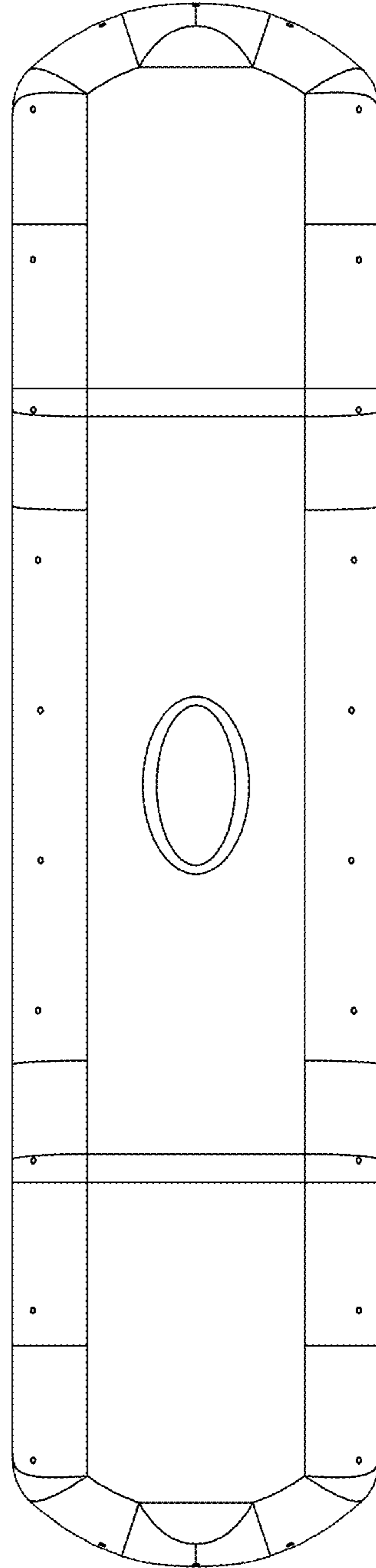


FIG. 5



**FIG. 6**



**FIG. 7**