



US00D815842S

(12) **United States Design Patent**
Shay-Puetzer et al.

(10) **Patent No.:** **US D815,842 S**
(45) **Date of Patent:** **** Apr. 24, 2018**

(54) **PORTION OF A FRAME FOR DISPLAYING AN OBJECT**

(71) Applicants: **Tricia L. Shay-Puetzer**, Oconomowoc, WI (US); **Steven J. Puetzer**, Oconomowoc, WI (US)

(72) Inventors: **Tricia L. Shay-Puetzer**, Oconomowoc, WI (US); **Steven J. Puetzer**, Oconomowoc, WI (US)

(**) Term: **15 Years**

(21) Appl. No.: **29/548,598**

(22) Filed: **Dec. 15, 2015**

Related U.S. Application Data

(63) Continuation of application No. 29/488,884, filed on Apr. 24, 2014, now Pat. No. Des. 747,109.

(51) **LOC (11) Cl.** **06-07**

(52) **U.S. Cl.**
USPC **D6/300**

(58) **Field of Classification Search**

USPC D6/300-314; D11/132, 133, 143; D20/10, 19, 40, 42, 43, 99; 40/27, 380, 40/757, 700, 732, 743, 781, 772, 769, 40/155, 603, 611, 152, 156
CPC A47G 1/065; A47G 1/1626; A47G 1/17; A47G 2001/0666; A47G 2001/0672; A47G 1/142; A47G 1/06; A47G 1/0638; G03B 21/64; F16M 13/022; G09F 1/12; G09F 15/0012; G09F 15/02; G09F 2021/041; G09F 21/048; A41F 1/002; B44C 5/02; Y10S 428/90; Y10T 24/32
See application file for complete search history.

(56) **References Cited**

U.S. PATENT DOCUMENTS

D109,169 S * 4/1938 Whitehead D6/303
2,268,529 A 12/1941 Stiles

D134,958 S * 2/1943 Katz D6/304
D146,264 S 3/1945 Moonert
D142,984 S * 11/1945 Brown D6/314
2,448,611 A * 9/1948 Martin B42D 9/004
116/234
3,161,932 A * 12/1964 Russell A41F 1/002
24/303
3,444,638 A 5/1969 Jahn
3,553,873 A 1/1971 Weston
3,566,526 A 3/1971 La Violette

(Continued)

OTHER PUBLICATIONS

Large DIY Metal and Pegboard Command Center, available Mar. 2, 2015, [online], [site visited Aug. 5, 2017]. Available from internet, <URL: <http://www.remodelaholic.com/large-diy-metal-pegboard-command-center/>>.*

(Continued)

Primary Examiner — Cathron C Brooks

Assistant Examiner — W. A. Teddy Falloway

(74) *Attorney, Agent, or Firm* — Klintworth & Rozenblat IP LLP

(57) **CLAIM**

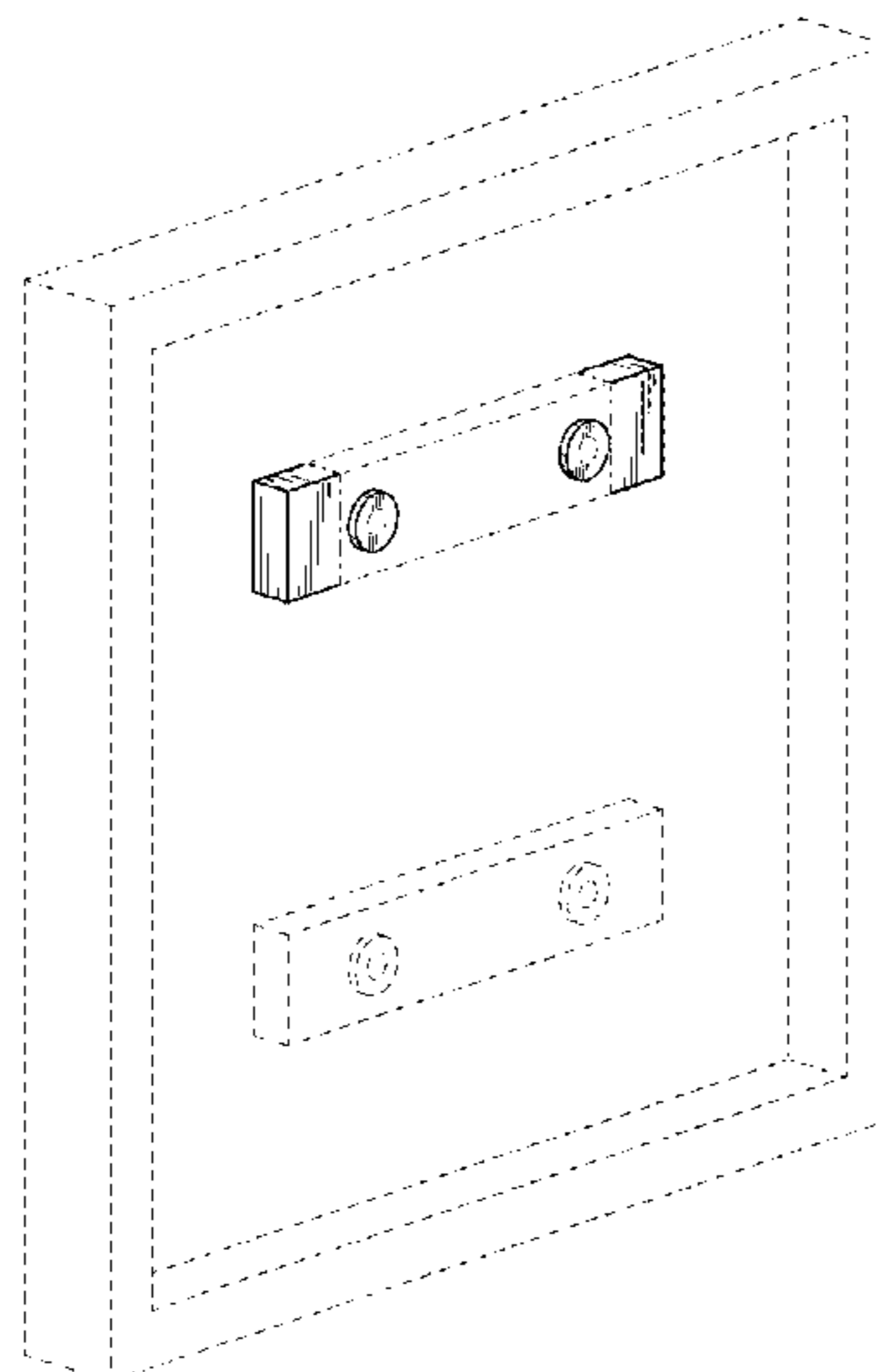
We claim the ornamental design for a portion of a frame for displaying an object, as shown and described.

DESCRIPTION

FIG. 1 is a top, front perspective view of a portion of a frame for displaying an object; and, FIG. 2 is a front view of the portion of the frame shown in FIG. 1.

The dash-dash broken lines shown are included for the purpose of illustrating portions of the frame for displaying an object that form no part of the claimed design. The dot-dash broken lines define the bounds of the claimed design and form no part of the claimed design.

1 Claim, 2 Drawing Sheets



(56)

References Cited

U.S. PATENT DOCUMENTS

3,707,053 A * 12/1972 Itano A47G 1/0633
40/757

D228,720 S 10/1973 Cowan
3,786,584 A 1/1974 Holson
D230,238 S 2/1974 Coda
3,885,336 A 5/1975 Olsen
4,192,905 A 3/1980 Scheibal
4,261,124 A 4/1981 Carter
D261,936 S * 11/1981 Sumiyasu D13/183
D266,380 S * 10/1982 Ploeger D6/300
4,356,647 A * 11/1982 Farris G09F 15/02
40/661

D290,787 S 7/1987 Chisholm
4,761,902 A 8/1988 Lansky et al.
D300,285 S * 3/1989 Karklins D6/300
5,230,172 A 7/1993 Hsu
5,269,083 A 12/1993 Vampatella et al.
D343,299 S * 1/1994 Olivier D6/300
D370,568 S 6/1996 Wynne
D372,131 S * 7/1996 Perkins, Jr. D20/40
D381,211 S 7/1997 Aries et al.
D383,613 S 9/1997 Handler
D394,959 S 6/1998 Kwan
D405,473 S 2/1999 Tikhonski et al.
D423,796 S 5/2000 Kwan
D424,813 S 5/2000 DeMary
D435,171 S * 12/2000 Anderson D3/327
D438,019 S 2/2001 Carlson
D445,262 S 7/2001 Rowan
D479,742 S 9/2003 Hollingsworth
6,640,476 B1 * 11/2003 Miller G09F 19/18
40/560

6,655,064 B1 12/2003 Dodson
D485,993 S 2/2004 Noble
D487,354 S * 3/2004 Hahn D6/300
6,742,295 B2 6/2004 Gross
D493,036 S 7/2004 O'Neal
D496,798 S 10/2004 Berg et al.
D498,063 S * 11/2004 Hahn D6/300
D499,888 S * 12/2004 Hahn D6/300
D499,889 S * 12/2004 Hahn D6/300
D503,045 S * 3/2005 Hahn D6/300
6,868,630 B2 3/2005 Kim
6,982,114 B2 1/2006 Crum
D532,247 S 11/2006 Copeland
D536,881 S 2/2007 Mischel, Jr. et al.
D547,072 S 7/2007 Mischel et al.
7,296,373 B1 * 11/2007 Hahn G09F 15/0012
40/617

D562,526 S * 2/2008 O'Gradney D2/624
D564,020 S 3/2008 Brown
D572,763 S * 7/2008 Neiser D19/95
7,412,792 B2 * 8/2008 Hale A47G 1/065
40/740

D576,432 S 9/2008 Siekmann
D584,063 S 1/2009 Mirza
D591,357 S 4/2009 Lee
D602,722 S * 10/2009 Sandine D6/553
D613,953 S 4/2010 Hammer
7,748,152 B2 7/2010 Reinold et al.
D642,384 S 8/2011 Seckinger
D668,076 S * 10/2012 Gokey D6/681.1
D669,691 S 10/2012 Blaser
8,484,873 B2 7/2013 Splittgerber
8,495,830 B2 7/2013 Price
8,572,873 B2 11/2013 Van Bortel
8,584,387 B2 11/2013 Pénisson
8,595,968 B2 12/2013 Byfield
8,915,208 B2 * 12/2014 Shanahan G09F 17/00
116/173

D727,629 S 4/2015 Gordon et al.
D739,149 S * 9/2015 Shay-Puetzer D6/300

D747,109 S * 1/2016 Shay-Puetzer D6/300
D749,405 S * 2/2016 White D8/380
D751,831 S * 3/2016 Shay-Puetzer D6/314
D762,076 S * 7/2016 Adam D6/552
9,440,597 B1 * 9/2016 Broadwell B60R 13/105
D778,206 S * 2/2017 Sullivan D11/202
2003/0196364 A1 10/2003 Chang
2005/0193614 A1 9/2005 Conrad
2008/0115397 A1 * 5/2008 Reinold A47G 1/0638
40/711

OTHER PUBLICATIONS

Oak Poster Hanger, available Jul. 28, 2015, [online], [site visited Aug. 5, 2017]. Available from internet, <URL: <https://www.etsystudio.com/listing/227407289/oak-poster-hanger-wood-picture-hanger>.*

STiiCKS, available Nov. 13, 2013, [online], [site visited Jul. 16, 2017]. Available from internet, <URL: <http://design-milk.com/sticks-new-way-think-framing/>.*

BY WIRTH Magnetic Wall Frame, available Jul. 16, 2017, [online], [site visited Jul. 16, 2017]. Available from internet, <URL: <http://thethirdrow.com/products/by-wirth-magnetic-wall-frame-nature-wood-2-sizes/>.*

Poster Hanger, available Jan. 20, 2016, [online], [site visited Jul. 17, 2017]. Available from internet, <URL: <https://www.amazon.com/Poster-Hanger-Magnetic-Frame-frame/dp/B016AXSPBG>.*

How to: Simple and Modern DIY Magnetic Poster Frame, available Jul. 23, 2015, [online], [site visited Jul. 16, 2017]. Available from internet, <URL: <http://www.curbly.com/17301-how-to-simple-and-modern-diy-magnetic-poster-frame>.*

Gallery Floating Frame—Wood/ Magnetic Poster Frame, available Feb. 18, 2017, [online], [site visited Jul. 16, 2017]. Available from internet, <URL: <https://www.etsystudio.com/listing/509603541/gallery-floating-frame-wood-magnetic>.*

Natural Wood Magnetic Frames, available Jul. 16, 2017, [online], [site visited Jul. 16, 2017]. Available from internet, <URL: <https://www.lettersandcompany.com/shop/natural-wooden-magnetic-frames>.*

DIY Wooden Poster Frame, available Mar. 14, 2016, [online], [site visited Aug. 5, 2017]. Available from internet, <URL: <http://www.modishmitten.com/2016/03/diy-wooden-poster-frame.html>.*

Frimage Image Frames, available Jun. 20, 2014, [online], [site visited Jul. 2, 2015]. Available from internet, <URL: <http://www.frimageimage.com/>.

Plywerk “Maggie” Frame, available Dec. 3, 2013, [online], [site visited Jul. 2, 2015]. Available from internet, <URL: <http://www.plywerk.com/blog/2013/12/change-your-frame-with-maggie/>.

MOS Photography Frame, available Mar. 11, 2013, [online], [site visited Jul. 2, 2015]. Available from internet, <URL: <http://www.mosphotography.com/portraits/signature-frames.html>.

Float Frame (Mirror Image Photography), available Jul. 24, 2012, [online], [site visited Jul. 2, 2015]. Available from internet, <URL: <http://mirrorimagephotography.co.uk/index.php/2012/07/new-float-frame/>.

Float Frame (Daily Art West, paintings by Don Gray), available Apr. 23, 2012, [online], [site visited Jul. 2, 2015]. Available from internet, <URL: http://www.dailyartwest.com/2012_04_01_archive.html.

Float Frame (StiiMoving Image Photography), available Jul. 9, 2012, [online], [site visited Jul. 2, 2015]. Available from internet, <URL: <http://www.stillmovingimage.com/new-float-frame/>.

Washi Tape Frame (We R Memory Keepers), available Aug. 20, 2014, [online], [site visited Jul. 6, 2015]. Available from internet, <URL: <https://wermemorykeepers.wordpress.com/category/home-decor/page/4/>.

Oliver Brothers Frames, available Dec. 31, 2013, [online], [site visited Jul. 2, 2015]. Available from internet, <URL: <http://www.oliverbrothersframes.com/frame-finish/acrylic-piature-frames/>.

* cited by examiner

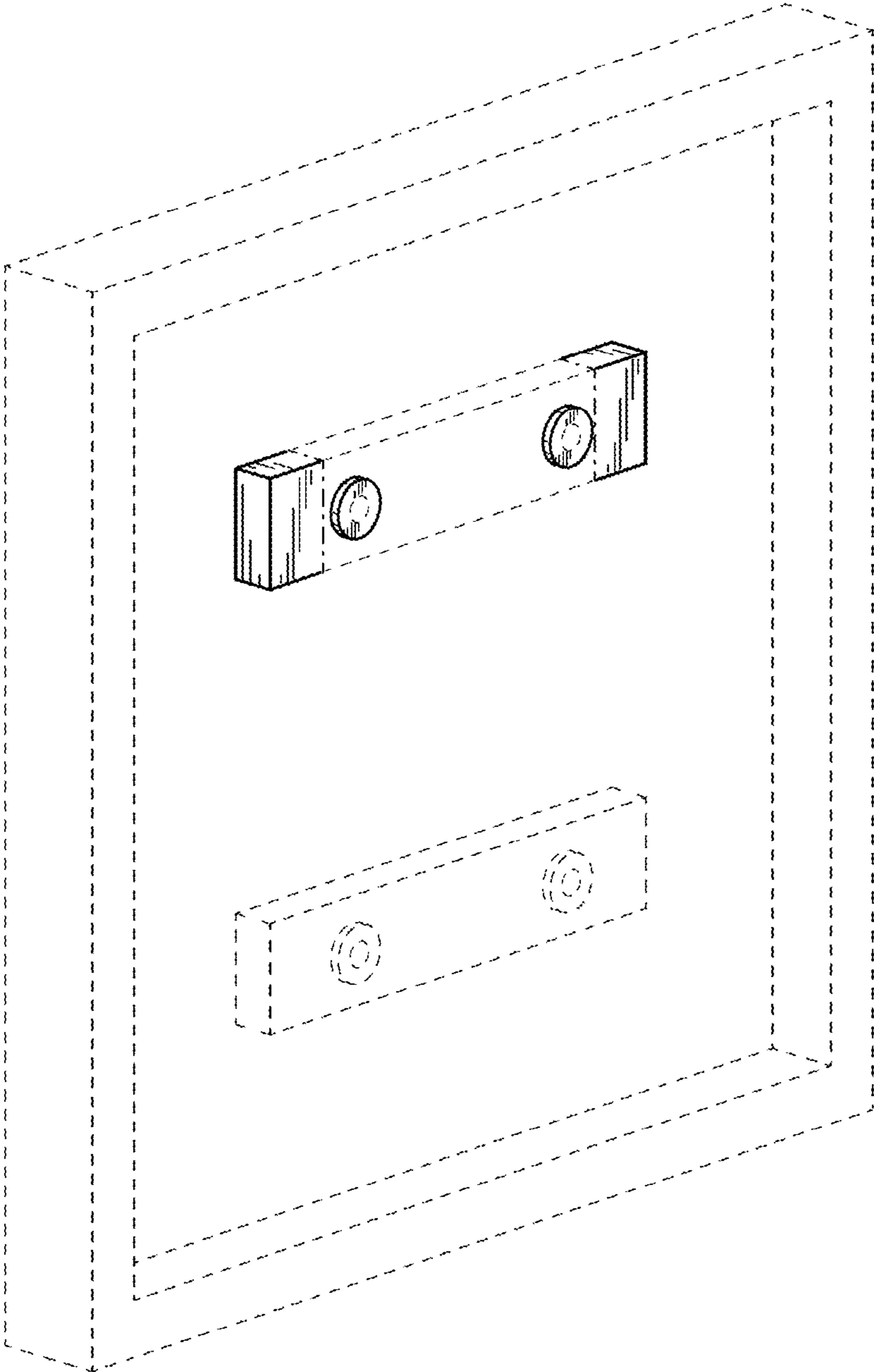


FIG. 1

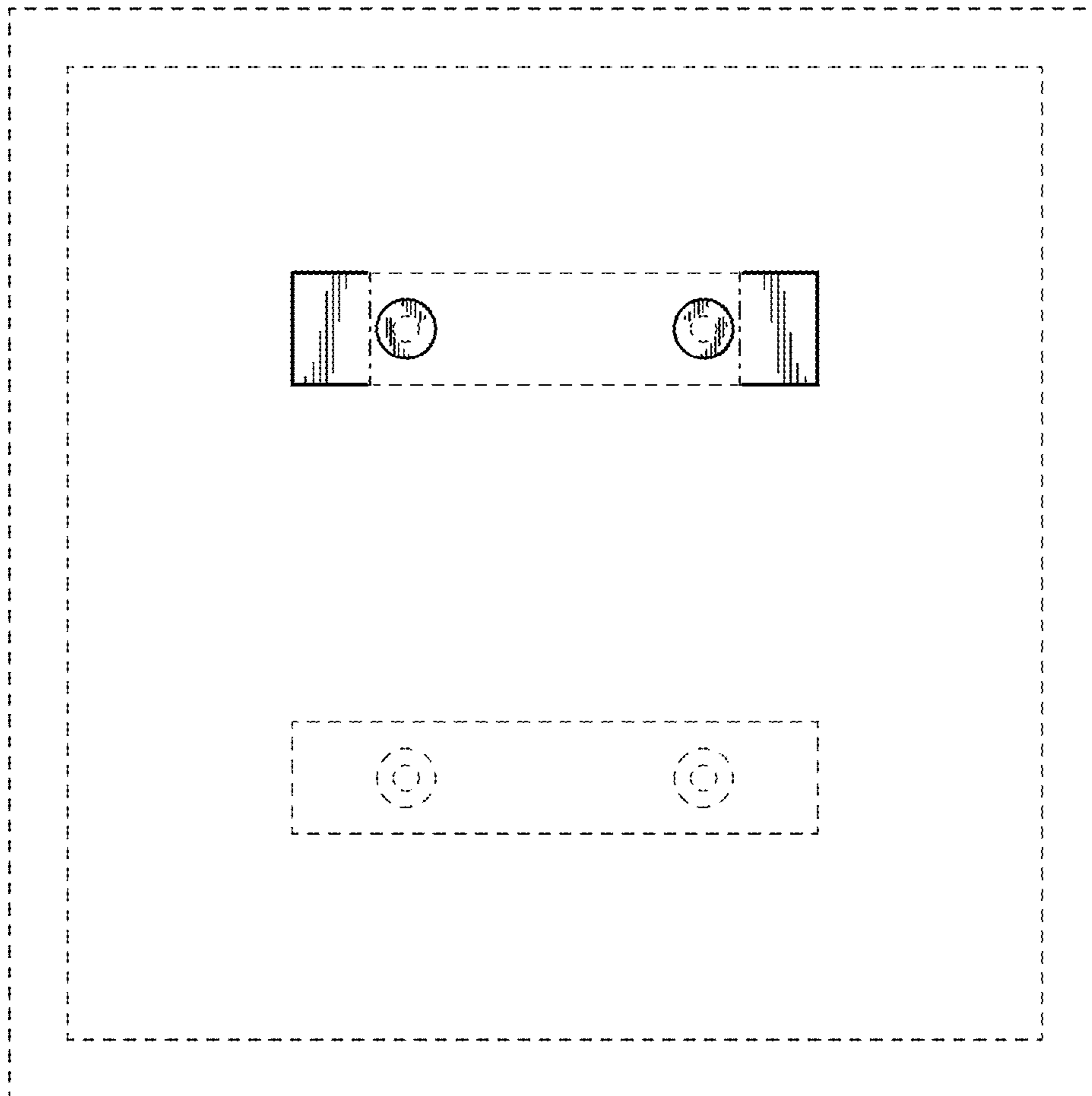


FIG. 2